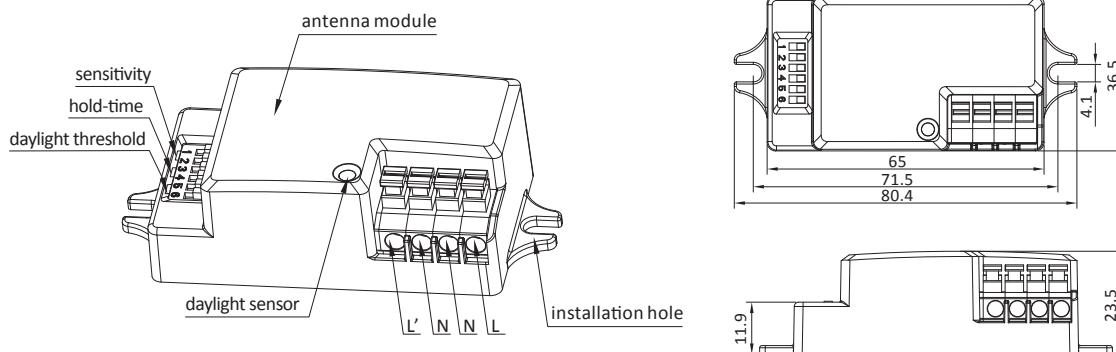


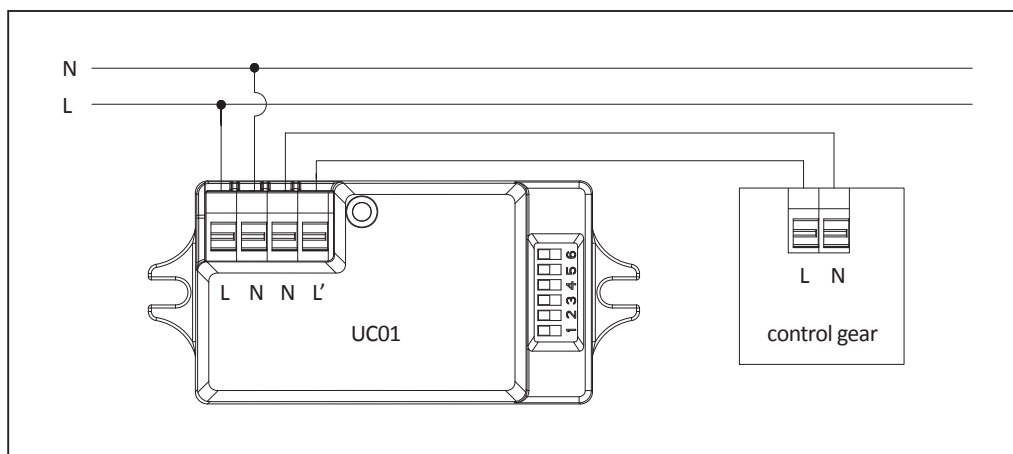
## User manual of microwave motion sensor On/off version, Model No.:UC01



### Technical Specifications:

Operating voltage	220 ~ 240 VAC 50/60Hz
Rated load	400W (Capacitive load) 800W (Resistive load)
Stand-by power	<0.5W
Sensitivity	10% / 50% / 75% / 100%
Hold-time	5s / 90s / 5min / 15min
Daylight sensor	2lux / 10lux / 50lux, disable
Microwave frequency	5.8 GHz +/- 75MHz
Transmitting power	<0.2mW
Detection range	maximum (diameter x height): 10m x 6m
Detection angle	30° ~ 150°
Working temperature	-20°C ~ 60°C
IP rating	IP20

### Wiring diagram:




# Settings:

## 1. Sensitivity

Sensitivity can be adjusted by selecting the combination on the DIP switches for different applications.

- I – 100%
- II – 75%
- III – 50%
- IV – 10%




	1	2	
I	●	●	100%
II	●	○	75%
III	○	●	50%
IV	○	○	10%

## 2. Hold-time

Hold-time refers to the time period that the light remains 100% on if no more movement is detected.

- I – 5s
- II – 90s
- III – 5min
- IV – 15min




	3	4	
I	●	●	5s
II	●	○	90s
III	○	●	5min
IV	○	○	15min

## 3. Daylight sensor

Different daylight threshold can be preset on DIP switches. Light will always turn on upon movement if daylight sensor is disabled.

- I – Disable
- II – 50Lux
- III – 10Lux
- IV – 2Lux



	5	6	
I	●	●	Disable
II	●	○	50Lux
III	○	●	10Lux
IV	○	○	2Lux

# TROUBLE SHOOTING:

MALFUNCTION	CAUSE	REMEDY
The light will not come on	Incorrect light-control setting selected	Adjust daylight threshold setting
	Faulty lamp	Replace lamp
	No power supply	Check power to sensor
The lamp is always on	Continuous movement in the detection zone	Check detection area setting
The lamp is on without any identifiable movement	The sensor is not mounted for reliably detecting movement	Securely mount enclosure
	Movement occurred, but not identified by the sensor (Movement behind wall, movement of small object in immediate lamp vicinity etc.)	1. Reduce sensitivity. 2. Check the movement behind walls to avoid facilities such as water pipe, fan, which may mis-trigger the sensor.
The lamp will not work despite movement	Rapid movements are being suppressed to minimize malfunctioning or the detection radius is too small.	Check detection area setting