

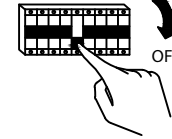
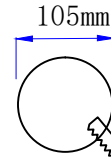
Model: BUL21  
 Input: 24VDC  
 Power: 1\*15W



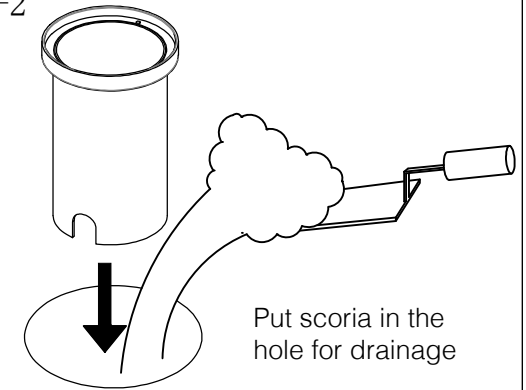
IP67

CREE

FLG-1



FLG-2



Put scoria in the hole for drainage

Please read the instructions before commencing installation and retain instructions for future reference. Electrical products can cause death, injury and damage to property. Installation of this product must be carried out by a qualified electrician. On completion of installation, ensure that the certificate of compliance has been completed.

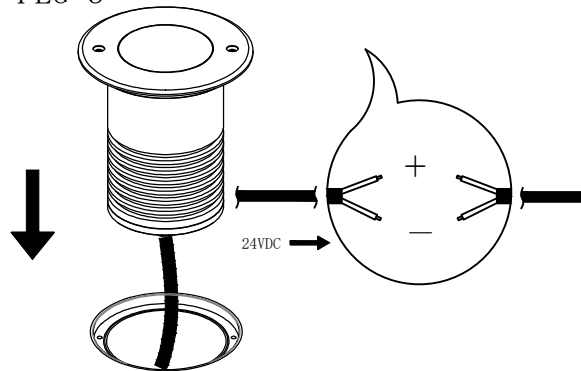
**CAUTION**

- Installation and maintenance must be performed by professionals only.
- Please ensure the fittings bracket is securely tightened fixed before once installed.
- Earth/ground wire must be securely connected.
- Please ensure the LED fitting is working with correct input voltage.
- Disconnect mains power supply before any maintenance is carried out.
- Do not use chemicals or corrosive cleaners to clean the light fitting

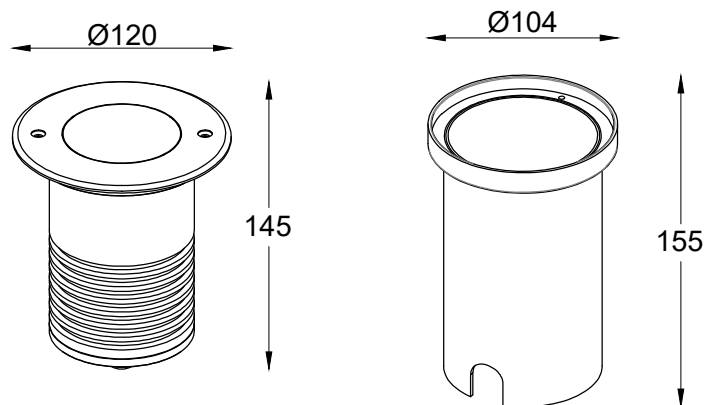
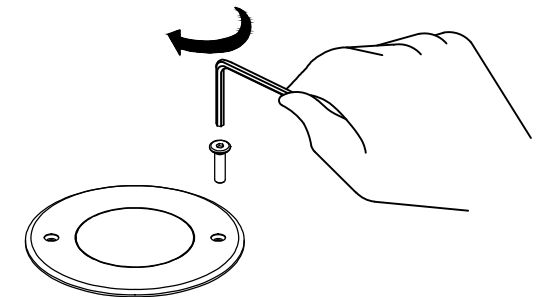
**Note:** The light source contained in this luminaire shall only be replaced by the manufacturer or this service agent or a similar qualified person. The external flexible power cable/cord of this luminaire can not be replaced. If the power cable/cord has any damage, the complete fitting shall be replaced. The lens/diffuser can not be replaced. If the lens/diffuser has visible damage, the complete fitting shall be replaced.

Actual product may vary. Eurotech Lighting reserves the right to improve, modify or update the product designs without prior notice.

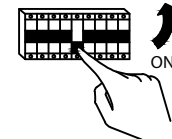
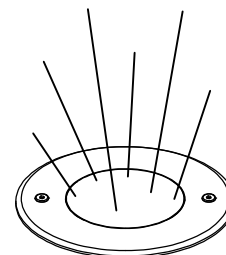
FLG-3



FLG-4



FLG-5



CONNECT IN PARALLEL