

SPEND50 - Linkable Pendant

Model: SPEND50-L15-BLK/ WH & SPEND50-L18-BLK/WH

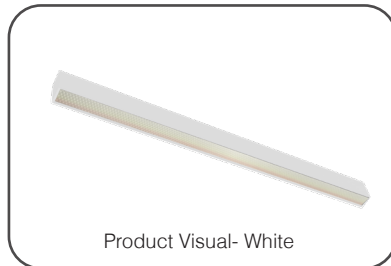
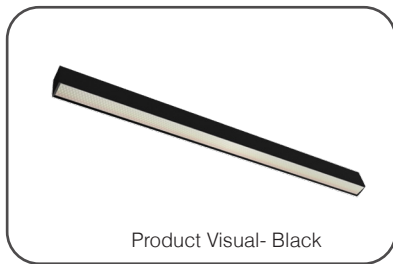
Installation Instructions- Suspended

All installations must be carried out by a qualified electrician following local regulations. Make sure that the power is switched off before installation. Please read and follow the 'Installation instructions' and 'Safety instructions' sections carefully before commencing installation.

Installation of this model can change from time to time please read instructions every time before installation. For detailed specification, please go to our website eurotechlighting.co.nz

Code:	Colour:	Dimensions (mm):	Dimmable	IP Rating:	Kelvins:	Lumens Flux Down:	Material:
SPEND50-L15-BLK	Black	1500L x 50W x 72D	No	IP20	CCT Switchable - 3K 4K	3000lm	Aluminium & Microprismatic Diffuser
SPEND50-L15-WH	White						
SPEND50-L18-BLK	Black	1800L x 50W x 72D					
SPEND50-L18-WH	White						

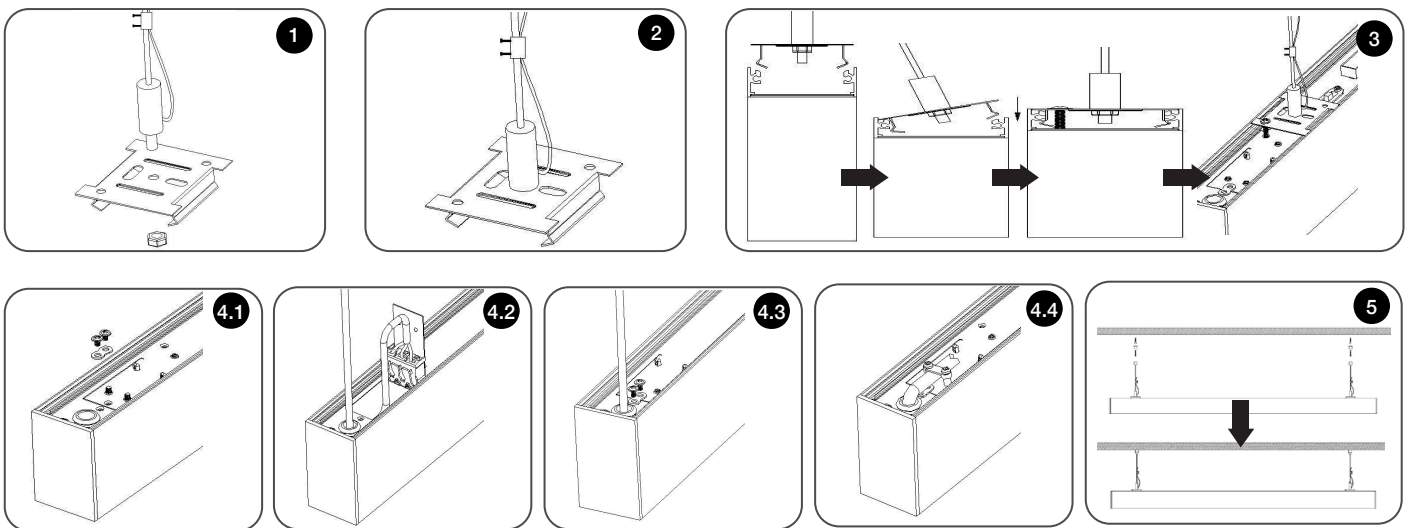
Product Information



Installation Instructions

1. Fix the suspension wires to the thread holder.
2. Fix the suspension wires to the mounting bracket with M4 nut
3. Clip mounting bracket to the lamp, then fix the bracket with a screw. Press the mounting bracket to the lamp body one side, at a time. Stop the bracket from sliding by a screw.
4. Wiring:
 - 4.1. Remove the screw and the connecting piece
 - 4.2. Open the flip cover and connect the AC input wire to the terminal
 - 4.3. Close the flip cover and tighten the screws
 - 4.4. Tighten the AC wire to the flip cover with pressure thread.
5. Suspension is done

Please refer to our website for more information (www.eurotechlighting.co.nz), or contact a Eurotech Lighting Consultant on: 09 818 6039



Safety Instructions

Read these instructions carefully before commencing installation.

1. The light source contained in this luminaire shall only be replaced by the manufacturer or this service agent or a similar qualified person.
2. This LED luminaire must be installed by a licensed electrician ONLY following all local regulations.
3. Ensure that the cables will not be squeezed or damaged by sharp edges.
4. Clean the light with a soft cloth and a standard PH-neutral detergent.
5. Misuse of/ or changes to the appliance shall void all warranties.
6. Do not install on a surface that is not suitable or deformed.
7. Do not install on or above a surface with a high temperature.
8. There should not be any materials that are corrosive, explosive.



For detailed specification, please go to our website eurotechlighting.co.nz

