

# Wafer - Wall Light

## Model: A0192LED & A0212LED

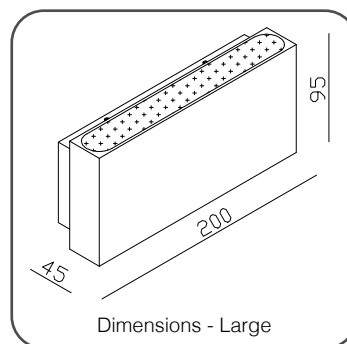
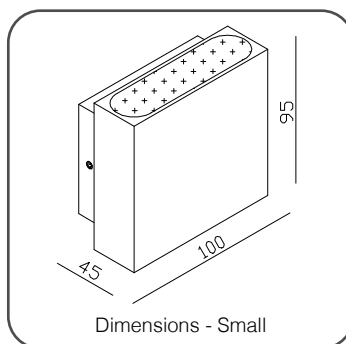
### Installation Instructions

All installations must be carried out by a qualified electrician following local regulations. Make sure that the power is switched off before installation. Please read and follow the 'Installation instructions' and 'Safety instructions' sections carefully before commencing installation.

Installation of this model can change from time to time please read instructions every time before installation. For detailed specification, please go to our website [eurotechlighting.co.nz](http://eurotechlighting.co.nz)

Code:	Colour:	Dimensions (mm):	IP Rating:	Kelvins:	Lumens:	Material:	Voltage:	Wattage:
A0192LED-BLK	Black	100L x 95H x 45D	IP54	3000K	560lm	Anodised 6063 Aluminium	230V	6W
A0192LED-AL	Brushed Aluminium				1600lm			16W
A0212LED-BLK	Black	200L x 95H x 45D	IP54	3000K	560lm	Anodised 6063 Aluminium	230V	6W
A0212LED-AL	Brushed Aluminium				1600lm			16W

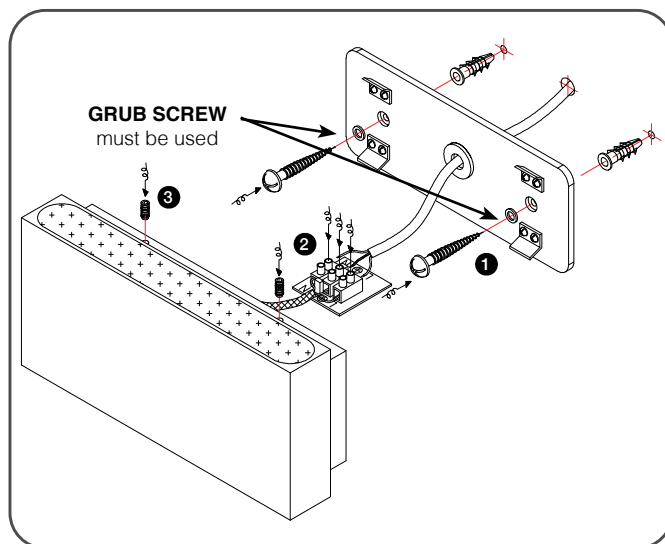
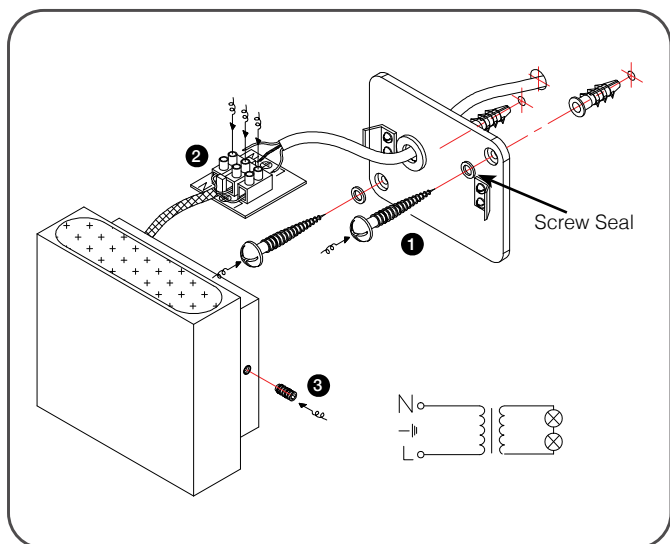
## Product Information



## Installation Instructions

1. Make sure power is turned off. Gently knock the provided plastic expansion tubes into the pre-drilled holes, ensuring the plastic tubes are flush with the mounting surface. Run the cable through rubber gland in the central hole. Fix backplate to the wall using screw seals provided.
2. Connect cables paying attention to live + neutral markings.
3. Screw fitting to backplate with allen screws on side. The backplate should be flush in fitting if not then water will enter. Ensure a tight seal is made to maintain IP Rating. A small amount of silicone is recommended around screw areas to offer additional protection.

Note: This is an IP54 fixture. Water blasting or strong pressure hose will cause early lamp failure. To clean, wipe fixture with a soft moisture cloth with power off!



## Safety Instructions

Read these instructions carefully before commencing installation.

1. The light source contained in this luminaire shall only be replaced by the manufacturer or this service agent or a similar qualified person.
2. This LED luminaire must be installed by a licensed electrician ONLY following all local regulations.
3. Ensure that the cables will not be squeezed or damaged by sharp edges.
4. Clean the light with a soft cloth and a standard PH-neutral detergent.
5. Misuse of/or changes to the appliance shall void all warranties.
6. Do not install on a surface that is not suitable or deformed.
7. Do not install on or above a surface with a high temperature.



For detailed specification, please go to our website [eurotechlighting.co.nz](http://eurotechlighting.co.nz)

