

Harper Small - Pendant

Model: WP387S

Installation Instructions

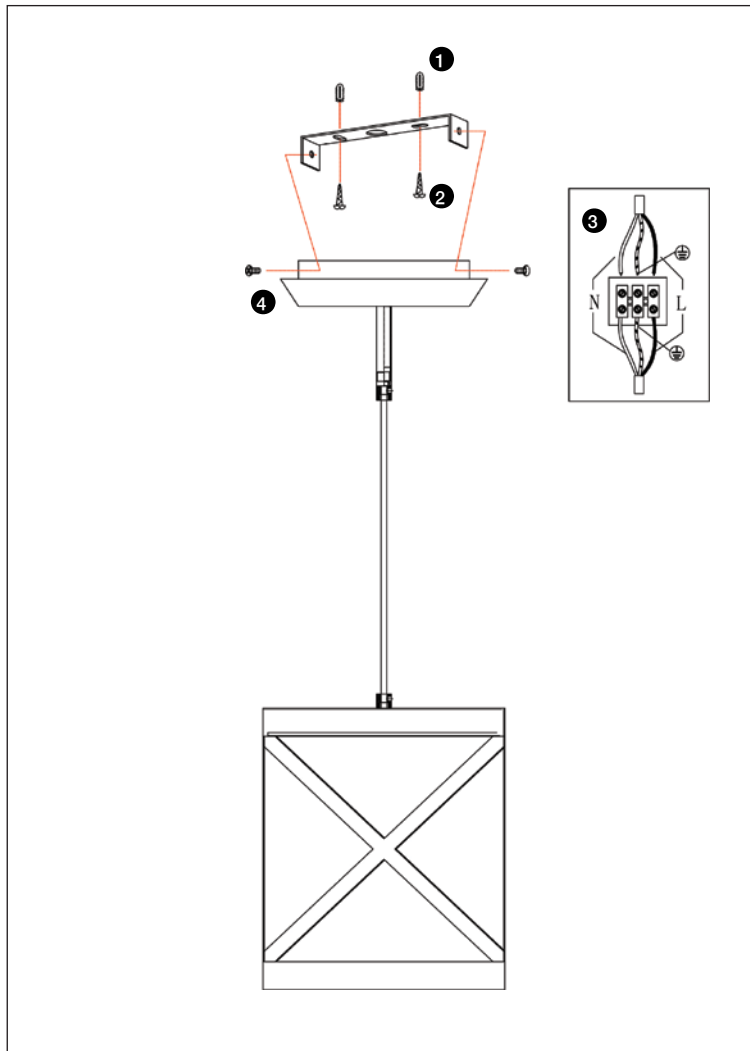
All installations must be carried out by a qualified electrician following local regulations. Make sure that the power is switched off before installation. Please read and follow the 'Installation instructions' and 'Safety instructions' sections carefully before commencing installation.

Installation of this model can change from time to time please read instructions every time before installation. For detailed specification, please go to our website eurotechlighting.co.nz

Code:	Colour:	Dimensions (mm):	Dimmable:	Driver:	Fixing Area (mm):	Kelvins:	Lumens:	Material:	Suspension Cable:	Watts:
WP387S	Gold or Black	260Ø x 300H	Yes	Driver Included	100Ø	3000K	600lm	Metal	2M	18W

Installation Instructions

1. Using mounting brackets as a guide drill two mounting holes. Knock two white expansion tubes provided into the holes.
2. Turn two pieces screws into the white expansion tubes through the bracket holes to fix the bracket on the ceiling.
3. Connect wires into connector block provided paying attention to live, natural + earth markings.
4. Once all wires are connected, place your LED luminaire into place. Ensure installation is correct before switching on the fitting to test.



Safety Instructions

Read these instructions carefully before commencing installation.

1. The light source contained in this luminaire shall only be replaced by the manufacturer or this service agent or a similar qualified person.
2. This LED luminaire must be installed by a licensed electrician ONLY following all local regulations.
3. Ensure that the cables will not be squeezed or damaged by sharp edges.
4. Clean the light with a soft cloth.
5. Misuse of/or changes to the appliance shall void all warranties.



For detailed specification, please go to our website eurotechlighting.co.nz