

Harper Large - Pendant

Model: WP387L

Installation Instructions

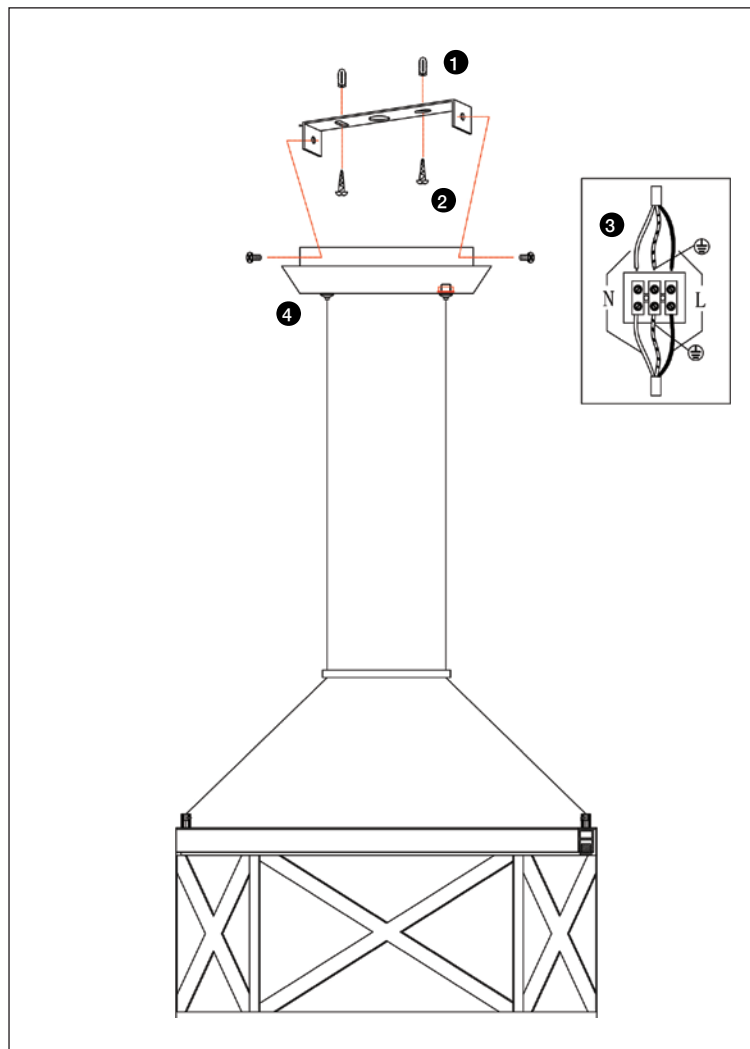
All installations must be carried out by a qualified electrician following local regulations. Make sure that the power is switched off before installation. Please read and follow the 'Installation instructions' and 'Safety instructions' sections carefully before commencing installation.

Installation of this model can change from time to time please read instructions every time before installation. For detailed specification, please go to our website eurotechlighting.co.nz

Code:	Colour:	Dimensions (mm):	Dimmable:	Driver:	Fixing Area (mm):	Kelvins:	Lumens:	Material:	Suspension Cable:	Watts:
WP387L	Gold or Black	610Ø x 230H	Yes	Driver Included	190Ø	3000K	1200lm	Metal	2M	40W

Installation Instructions

1. Using mounting brackets as a guide drill two mounting holes. Knock two white expansion tubes provided into the holes.
2. Turn two pieces screws into the white expansion tubes through the bracket holes to fix the bracket on the ceiling.
3. Connect wires into connector block provided paying attention to live, natural + earth markings.
4. Once all wires are connected, install your LED luminaire into place. Adjust the suspension height using the lock joints in the ceiling rose at the top of the suspension. Ensure installation is correct before switching on the fitting to test.



Safety Instructions

Read these instructions carefully before commencing installation.

1. The light source contained in this luminaire shall only be replaced by the manufacturer or this service agent or a similar qualified person.
2. This LED luminaire must be installed by a licensed electrician ONLY following all local regulations.
3. Ensure that the cables will not be squeezed or damaged by sharp edges.
4. Clean the light with a soft cloth.
5. Misuse of/or changes to the appliance shall void all warranties.



For detailed specification, please go to our website eurotechlighting.co.nz

Eurotech
lighting