

W800 - LED Bollard

Model: WBLD25W

Installation Instructions

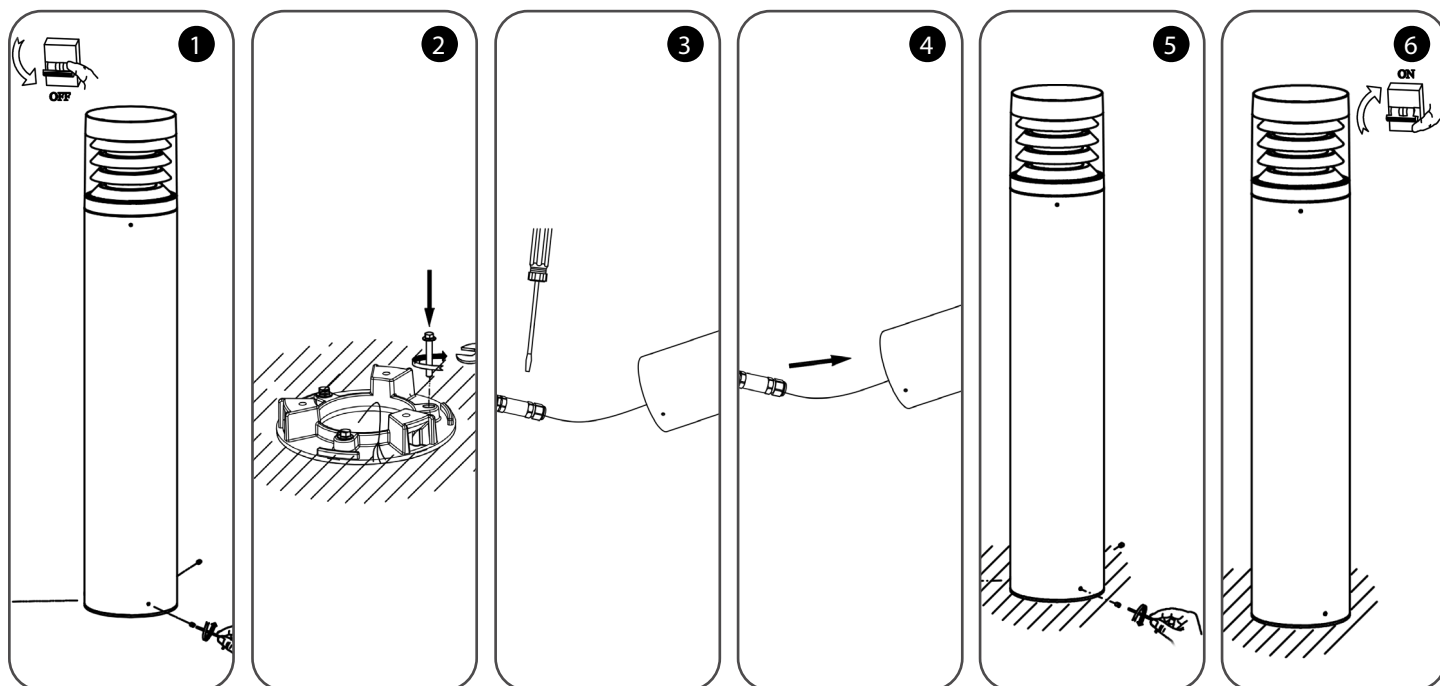
All installations must be carried out by a qualified electrician following local regulations. Make sure that the power is switched off before installation. Please read and follow the 'Installation instructions' and 'Safety instructions' sections carefully before commencing installation. Installation of this model can change from time to time please read instructions every time before installation.

For detailed specification, please go to our website eurotechlighting.co.nz

Code:	Colour:	Dimensions (mm):	IP Rating:	IK Rating:	Voltage:	Material:
WBLD25W	Black	168Ø x 800H	IP65	IK08	25W Max	Die-cast Aluminium & Marine Grade Paint + PC Lens

Installation Instructions

1. Take out of the box and disconnect parts. Remove mounting plate and head with the allen key provided. Remove lamp holder base and connector from head with a screwdriver.
2. Run the cable through the centre of the mounting bracket. Fit the bolts to the 3 holes in the mounting bracket and secure bolts in the ground. Make sure you allow enough cable to reach the connector block. Ensure waterproof connector block is tight, no missing washers, impervious to moisture.
3. Lock the pole of the bollard into mounting bracket with provided allen key screws.
Connect the mains supply to the terminal block, using the following colour code for the wiring:
Connect the brown (Live) wire to the corresponding terminal on the terminal block marked L.
Connect the blue (Neutral) wire to the corresponding terminal on the terminal block marked N.
4. Ensure installation is on a well draining surface without moisture pooling.
5. Leave luminaire attached
6. Turn on Bollard.



Safety Instructions

Read these instructions carefully before commencing installation.

1. This LED luminaire must be installed by a licensed electrician ONLY following all local regulations.
2. Ensure that the cables will not be squeezed or damaged by sharp edges.
3. Clean the light with a soft cloth and a standard PH-neutral detergent.
4. Misuse of/or changes to the appliance shall void all warranties.
5. Do not install on a surface that is not suitable or deformed.
6. Do not install on or above a surface with a high temperature.
7. There should not be any materials that are corrosive, explosive.



For detailed specification, please go to our website eurotechlighting.co.nz