

Tiago - Mirror Lights

Model: MLS600CCT, MLS900CCT & MLS1200CCT

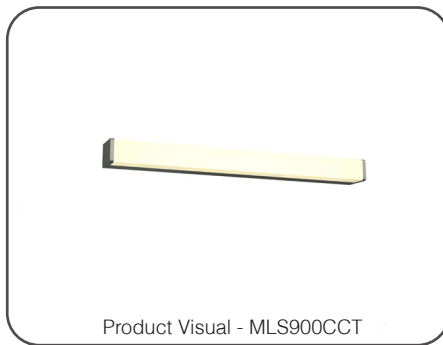
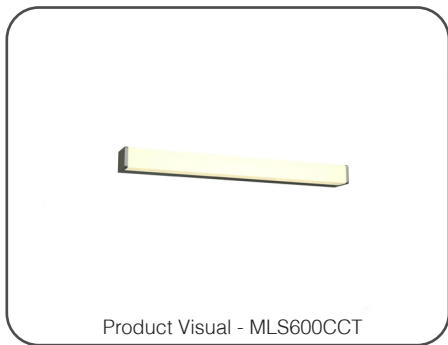
Installation Instructions

All installations must be carried out by a qualified electrician following local regulations. Make sure that the power is switched off before installation. Please read and follow the 'Installation instructions' and 'Safety instructions' sections carefully before commencing installation.

Installation of this model can change from time to time please read instructions every time before installation. For detailed specification, please go to our website eurotechlighting.co.nz

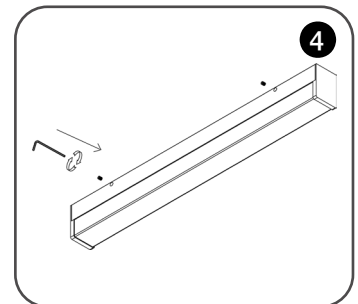
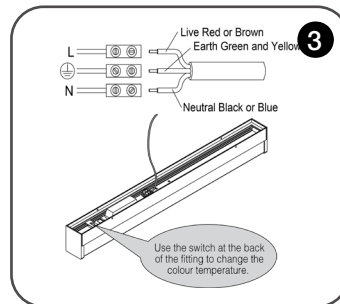
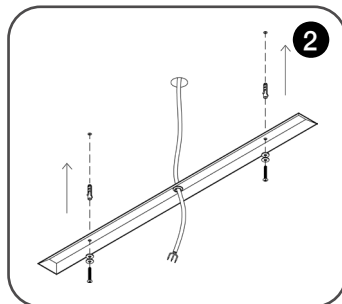
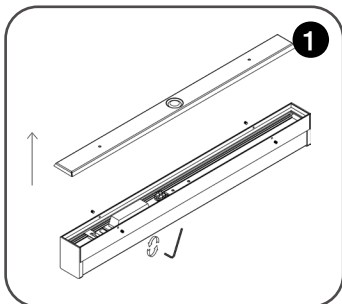
Code:	Dimensions (mm):	IP Rating:	Kelvins:	Lumens:	Material:	Voltage:	Wattage:
MLS600CCT	600 x 70 x 50	IP44	CCT = 3000K / 4000K Switchable	800lm / 840lm	Powder coated Aluminium	230V	12W
MLS900CCT	900 x 70 x 50			1150lm / 1200lm			18W
MLS1200CCT	1200 x 70 x 50			1450lm / 1500lm			24W

Product Information



Installation Instructions

1. Make sure power is turned off. Unscrew backplate.
2. Gently knock the provided plastic expansion tubes into the pre-drilled holes, ensuring the plastic tubes are flush with the mounting surface. Run the cable through the rubber seal. Fix backplate to the wall.
3. Connect cables paying attention to live + neutral markings.
Blue = Negative
Brown = Positive
Yellow / Green = Earth
Use the switch at the back of the fitting to change the colour temperature.
4. Screw fitting to backplate ensuring a tight seal is made. Ensure installation is correct before switching on the fitting to test.



Safety Instructions

Read these instructions carefully before commencing installation.

1. The light source contained in this luminaire shall only be replaced by the manufacturer or this service agent or a similar qualified person.
2. This LED luminaire must be installed by a licensed electrician ONLY following all local regulations.
3. Ensure that the cables will not be squeezed or damaged by sharp edges.
4. Clean the light with a soft cloth and a standard PH-neutral detergent.
5. Misuse of/or changes to the appliance shall void all warranties.
6. Do not install on a surface that is not suitable or deformed.
7. Do not install on or above a surface with a high temperature.
8. There should not be any materials that are corrosive, explosive.



For detailed specification, please go to our website eurotechlighting.co.nz