

SPEND08 - Pendant

Model: SPEND08

Installation Instructions

All installations must be carried out by a qualified electrician following local regulations. Make sure that the power is switched off before installation. Please read and follow the 'Installation instructions' and 'Safety instructions' sections carefully before commencing installation.

Installation of this model can change from time to time please read instructions every time before installation. For detailed specification, please go to our website eurotechlighting.co.nz

Code:	Colour:	Dimensions (mm):	Ceiling Rose (mm):	Kelvins:	Lumens:	Material:	Suspension Cable:	Watts:
SPEND08-1500-SL	Silver	1511 x 65 x 47	90Ø x 30	4000K	3940lm	Aluminium	2M	40W
SPEND08-1500-BLK	Black							
SPEND08-1200-SL	Silver	1211 x 65 x 47			3400lm			34W
SPEND08-1200-BLK	Black							

Installation Instructions

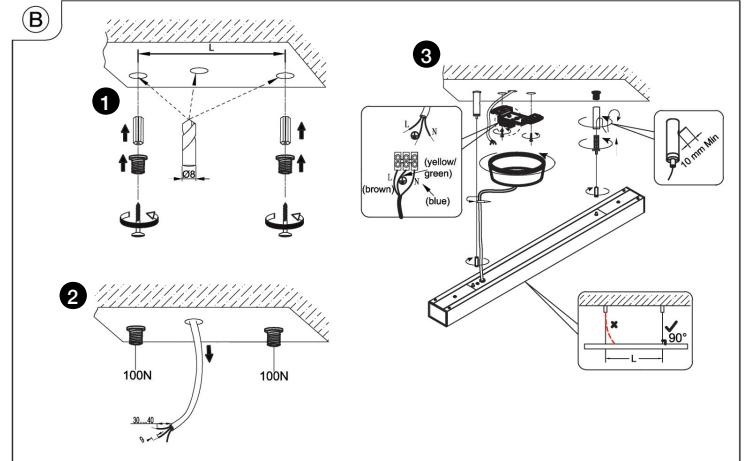
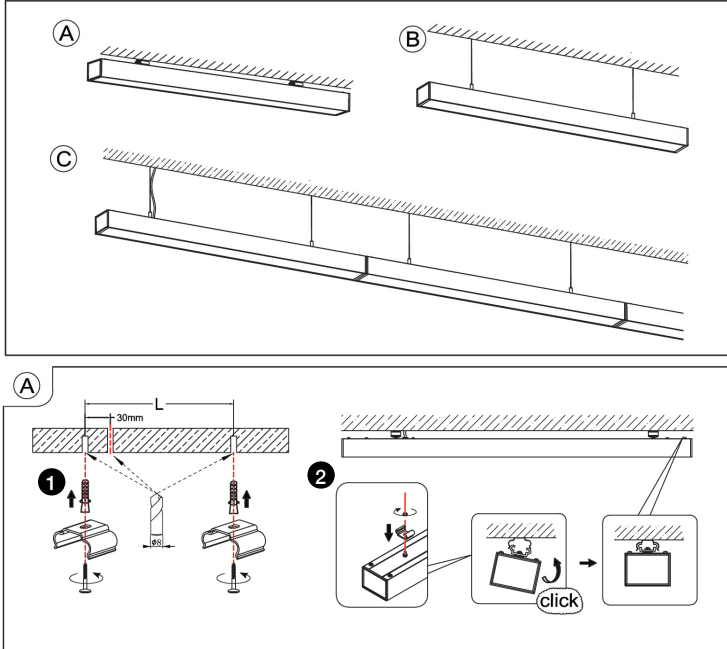
Mounting Options: A. = Surface Mounted, B. = Suspended, C. = Linked - Suspended or D. = Linked - Surface Mounted

A. Surface Mounted

- A1. Drill hole for power cables. Gently knock-in mounting tubes. Fix mounting brackets to the ceiling.
- A2. Fix fitting mounting brackets to the back of fitting, wire in power cable. Fix fitting to ceiling mounting brackets by rocking clips in till they click.

B. Suspended

- B1. Drill hole for power cables. Gently knock-in mounting tubes. Fix base of suspension cables to ceiling.
- B2. Pull power cable through ceiling slightly.
- B3. Fix ceiling rose bracket to the ceiling. Fix cable suspensions to the back of fitting then to the ceiling bracket. Adjust the height by pulling the wire through the locking point. Either coil extra wire or cut off allowing a height of 10mm. Feed fitting power cable along the suspension cable and into the ceiling rose. Wire power cables paying attention to LIVE, neutral and earth markings. Fix ceiling rose to the ceiling.



Safety Instructions

Read these instructions carefully before commencing installation.

1. The light source contained in this luminaire shall only be replaced by the manufacturer or this service agent or a similar qualified person.
2. This LED luminaire must be installed by a licensed electrician ONLY following all local regulations.
3. Ensure that the cables will not be squeezed or damaged by sharp edges.
4. Clean the light with a soft cloth and a standard PH-neutral detergent.
5. Misuse of/or changes to the appliance shall void all warranties.
6. Do not install on a surface that is not suitable or deformed.
7. Do not install on or above a surface with a high temperature.
8. There should not be any materials that are corrosive, explosive.



For detailed specification, please go to our website eurotechlighting.co.nz

Eurotech
lighting

SPEND08 - Pendant

Model: SPEND08

Installation Instructions

All installations must be carried out by a qualified electrician following local regulations. Make sure that the power is switched off before installation. Please read and follow the 'Installation instructions' and 'Safety instructions' sections carefully before commencing installation.

Installation of this model can change from time to time please read instructions every time before installation. For detailed specification, please go to our website eurotechlighting.co.nz

Installation Instructions

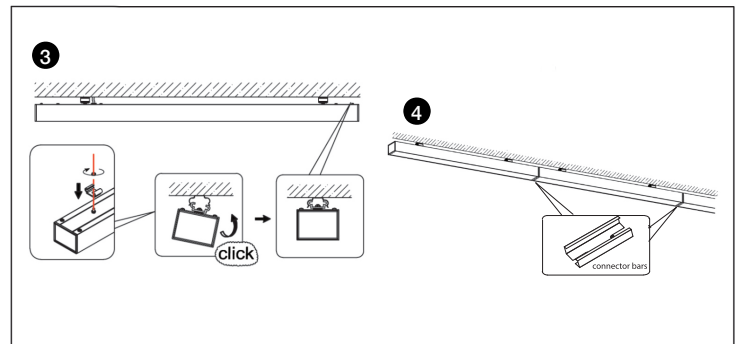
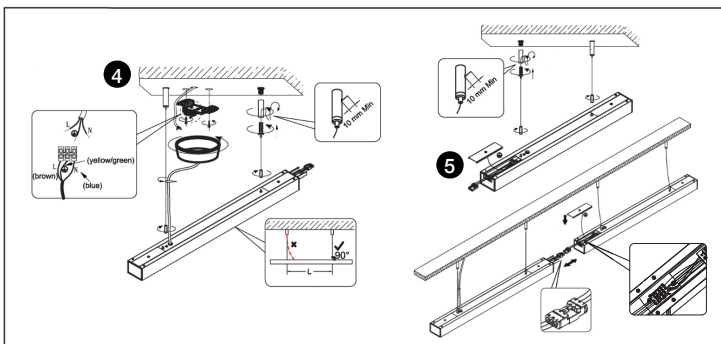
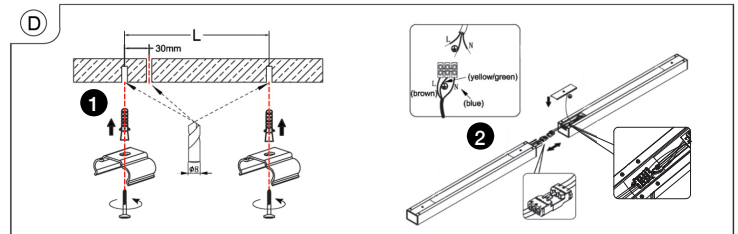
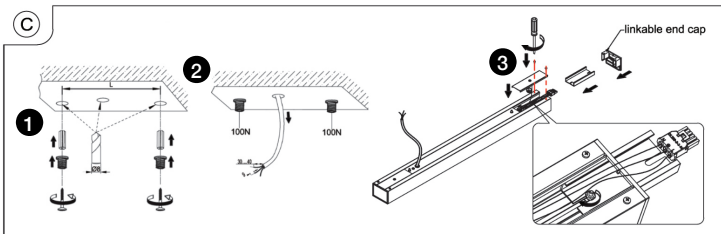
Mounting Options: A. = Surface Mounted, B. = Suspended, C. = Linked - Suspended or D. = Linked - Surface Mounted

C. Linked - Suspended

- C1. Drill hole for power cables. Gently knock-in mounting tubes. Fix base of suspension cables to ceiling.
- C2. Pull power cable through ceiling slightly.
- C3. Remove end caps of fittings you want to link at linking points. Then remove power cables from the fittings you are linking leaving the power cable in one fitting only. Slide in linkable parts so pendants are ready to be linked before you suspended them. Leave them unlinked as you will join them when suspended.
- C4. Fix ceiling rose bracket to the ceiling. Fix cable suspensions to the back of fitting then to the ceiling brackets. Adjust the height by pulling the wire through the locking point. Either coil extra wire or cut off allowing a height of 10mm. Feed fitting power cable along the suspension cable and into the ceiling rose. Wire power cables paying attention to LIVE, neutral and earth markings. Fix ceiling rose to the ceiling. Fix power cable to suspension cable. Repeat suspension cable steps for linked models.
- C5. Now that they are suspended you can link them together using linkable parts provided.

D. Linked - Surface Mounted

- D1. Drill hole for power cables. Gently knock-in mounting tubes. Fix mounting brackets to the ceiling.
- D2. Remove end caps of fittings you want to link at linking points. Then remove power cables from the fittings you are linking leaving the power cable in one fitting only. Link the fittings together. Depending on how many you link together you will need help attaching the fitting to the ceiling mounting brackets.
- D3. Fix fitting mounting brackets to the back of fitting, wire in power cable. Fix fitting to ceiling mounting brackets by rocking clips in till they click.



Safety Instructions

Read these instructions carefully before commencing installation.

1. The light source contained in this luminaire shall only be replaced by the manufacturer or this service agent or a similar qualified person.
2. This LED luminaire must be installed by a licensed electrician ONLY following all local regulations.
3. Ensure that the cables will not be squeezed or damaged by sharp edges.
4. Clean the light with a soft cloth and a standard PH-neutral detergent.
5. Misuse of/or changes to the appliance shall void all warranties.
6. Do not install on a surface that is not suitable or deformed.
7. Do not install on or above a surface with a high temperature.
8. There should not be any materials that are corrosive, explosive.



For detailed specification, please go to our website eurotechlighting.co.nz

Eurotech
lighting