

Marina Floodlight

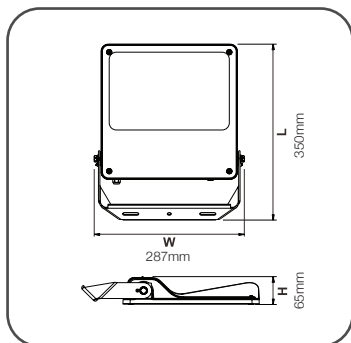
Model: M50 & M80 - Non-Sensor

Installation Instructions

All installations must be carried out by a qualified electrician following local regulations. Make sure that the power is switched off before installation. Please read and follow the 'Installation instructions' and 'Safety instructions' sections carefully before commencing installation. Installation of this model can change from time to time please read instructions every time before installation. For detailed specification, please go to our website eurotechlighting.co.nz

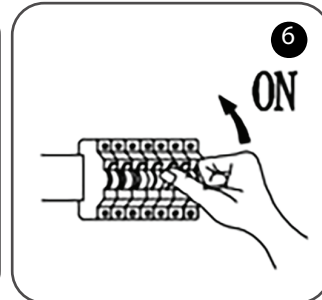
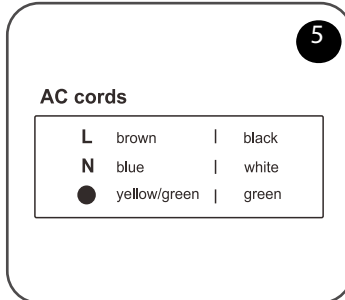
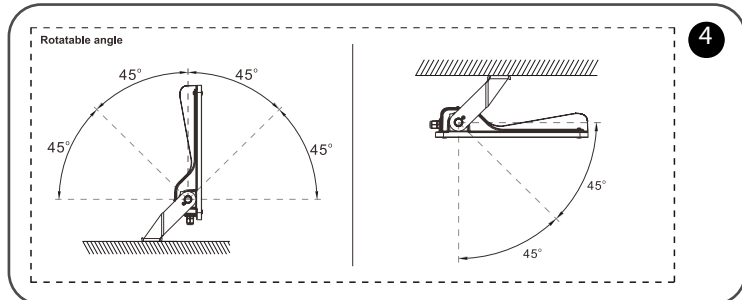
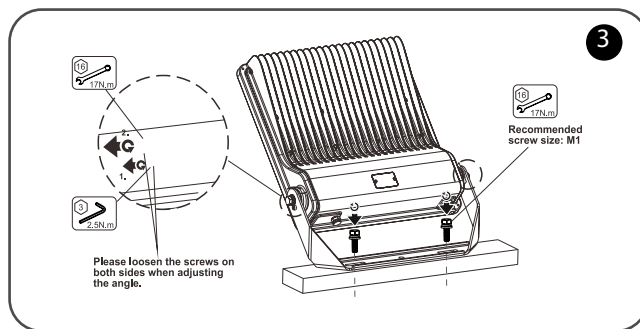
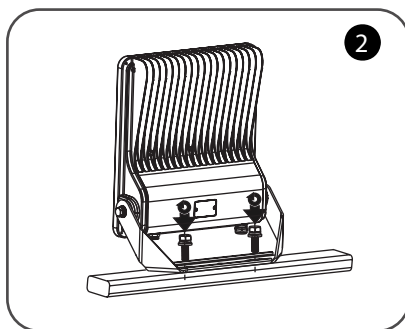
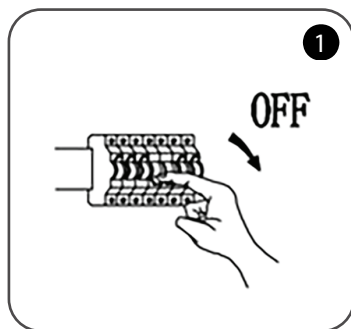
Code:	Colour:	Dimensions (mm):	IP Rating:	Kelvins:	Lumens:	Material:	Voltage:	Operating Temp	Wattage:	Power Frequency
M50	Black	353L x 287W x 65H	IP66	4000K	7200lm	Aluminium alloy, 316 Stainless Steel, PC & Tempered glass lens	230 V	-30°C to +50°C	50W	50 HZ
M80					11600lm				80W	50 HZ

Product Information



Installation Instructions

1. Ensure mains power supply has been switched off.
2. Mount the fittings bracket to your building element with the screws provided.
3. Loosen the screws on both sides of the fitting to adjust the angle. Re-tighten once it is at the angle required.
4. Connect mains power to the fitting and terminate the connection in an IP rated junction box.
5. Connect the fitting to it's bracket, making sure the fitting is in it's desired direction before tightening the screws.
6. Turn mains power supply back on & carry out testing.



Safety Instructions

We appreciate your purchase. Please read the entire instruction manual and keep for future reference

1. The light source contained in this luminaire shall only be replaced by the manufacturer or this service agent.
2. This LED luminaire must be installed by a licensed electrician ONLY following all local regulations.
3. Ensure that the cables will not be squeezed or damaged by sharp edges.
4. Clean the light with a soft cloth and a standard PH-neutral detergent.
5. Please do not modify or dismantle the luminaire.
6. Please disconnect the power before installation or any maintenance. Do not touch the power supply when the lamp is operating.
7. If the external flexible cable or cord of this luminaire is damaged, it shall be exclusively replaced by the manufacturer or his service agent to avoid a hazard.
8. The light source contained in this luminaire shall only be replaced by the manufacturer or his service agent.
9. Misuse of / or changes to the appliance shall void all warranties.
10. Do not install on a surface that is not suitable or deformed.
11. Do not install on or above a surface with high temperature.
12. **Not suitable for indoor pool areas.**

