

# Dylan Batten

## Model: LEDBATTEN

### Installation Instructions

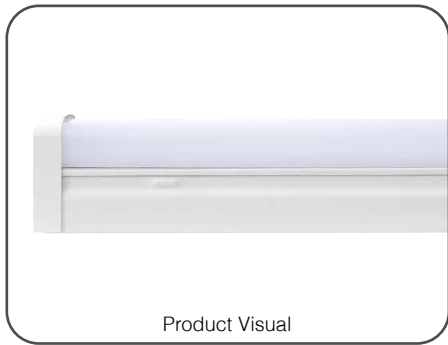


All installations must be carried out by a qualified electrician following local regulations. Make sure that the power is switched off before installation. Please read and follow the 'Installation instructions' and 'Safety instructions' sections carefully before commencing installation.

Installation of this model can change from time to time please read instructions every time before installation. For detailed specification, please go to our website [eurotechlighting.co.nz](http://eurotechlighting.co.nz)

Code:	Dimensions (mm):	Double Insulated:	IP Rating:	Kelvins:	Lumens:	Material:	Watts:
LEDBATTEN40W4K	1200L x 80W x 65D	Yes	IP40	4000K	3800lm	Aluminium + Iron + PC	40W
LEDBATTEN40W6K				6000K	4000lm		
LEDBATTEN60W4K	1500L x 80W x 65D			4000K	5700lm		60W
LEDBATTEN60W6K				6000K	6000lm		

## Product Information

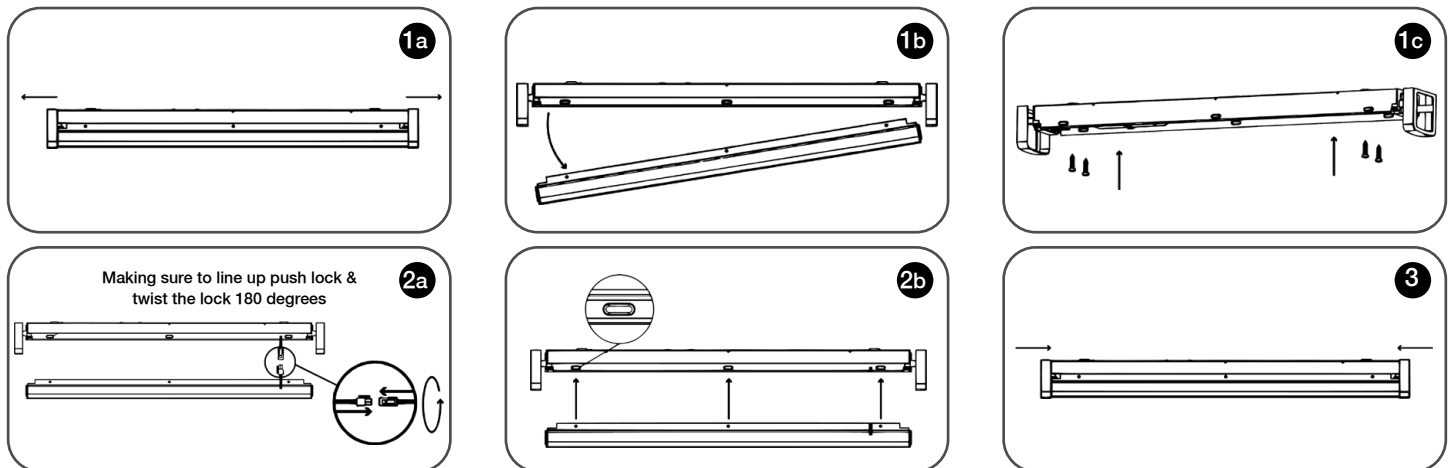


## Installation Instructions

- Slide both end caps out from base of fitting. Note: End caps only slide out approximately 10mm from the base backplate.
  - Gently remove the lens module from the base of fitting.
  - Fix base of fitting to ceiling / wall with supplied screws.
  - Wire the fitting paying attention to live, neutral and earth markings.
- Connect push lock terminal from the lens module, to the terminal on the base of the Batten fitting.
  - Fit the lens module to the base and snap into place over the locating points.
- Slide both end caps back into locked position to secure the lens module to the base of the fitting.

Please refer to the "switching capacity specifications" of this fitting when application is alongside technology such as sensors and dimmers.

Please refer to our website for more information ([www.eurotechlighting.co.nz](http://www.eurotechlighting.co.nz)), or contact a Eurotech Lighting Consultant on: 09 818 6039



## Safety Instructions

Read these instructions carefully before commencing installation.

- The light source contained in this luminaire shall only be replaced by the manufacturer or this service agent or a similar qualified person.
- This LED luminaire must be installed by a licensed electrician ONLY following all local regulations.
- Ensure that the cables will not be squeezed or damaged by sharp edges.
- Clean the light with a soft cloth and a standard PH-neutral detergent.
- Misuse of/or changes to the appliance shall void all warranties.
- Do not install on a surface that is not suitable or deformed.
- Do not install on or above a surface with a high temperature.
- There should not be any materials that are corrosive, explosive.



For detailed specification, please go to our website [eurotechlighting.co.nz](http://eurotechlighting.co.nz)

