

Eminence Downlights

Model: SMDL7W3K / SMDL12W3K

Installation Instructions

All installations must be carried out by a qualified electrician following local regulations. Make sure that the power is switched off before installation. Please read and follow the 'Installation instructions' and 'Safety instructions' sections carefully before commencing installation.

Installation of this model can change from time to time please read instructions every time before installation. For detailed specification, please go to our website eurotechlighting.co.nz

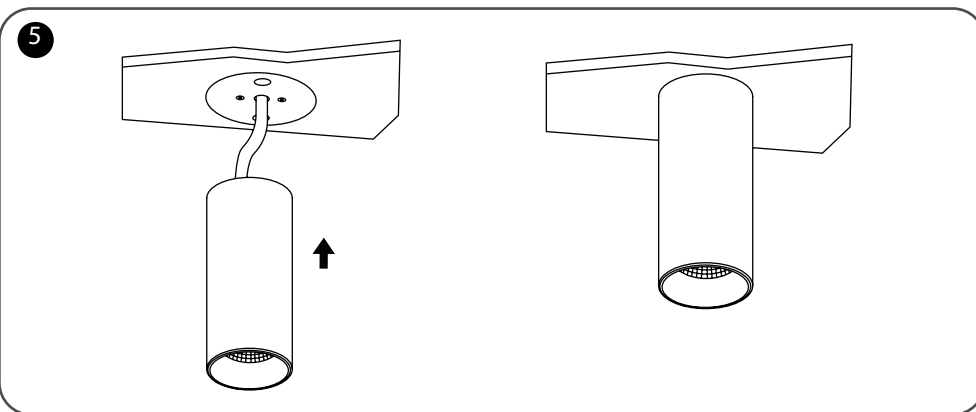
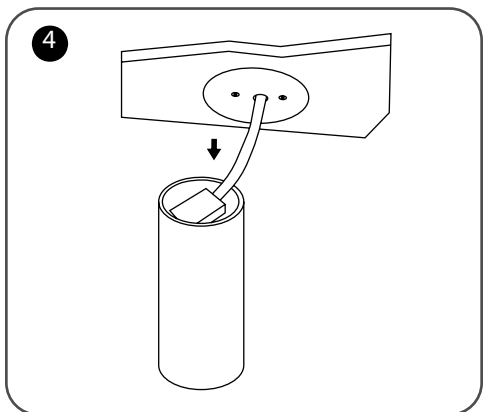
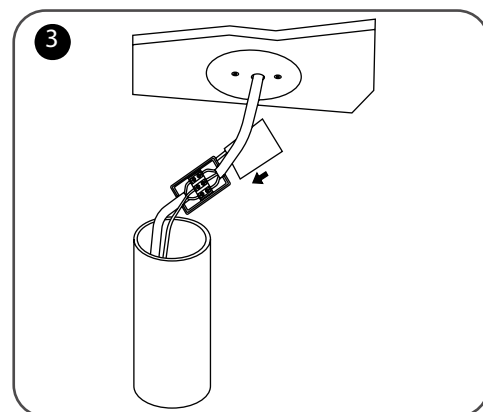
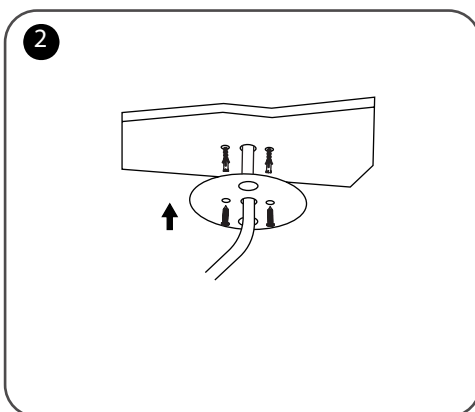
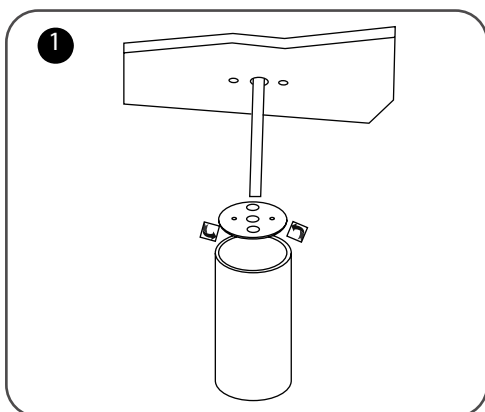
Code:	Colour:	Dimensions (mm):	Kelvins:	Beam Angles:	Material:	Voltage:	Wattage:	Lumens:
SMDL7W3K-BLK	Black	Ø80Dia x 150H	3000K	24°	Aluminium	230V	7W	490lm
SMDL7W3K-WH	White						7W	490lm
SMDL12W3K-BLK	Black						12W	840lm
SMDL12W3K-WH	White						12W	840lm

Product Information



Installation Instructions

1. Remove the backplate
2. Get the main cable through the center hole and screw in the back plate to the ceiling
3. Connect the main cable to the terminal block
4. Close the terminal block
5. Screw the lamp to the back plate



Safety Instructions

Read these instructions carefully before commencing installation.

1. The light source contained in this luminaire shall only be replaced by the manufacturer or this service agent or a similar qualified person.
2. This LED luminaire must be installed by a licensed electrician ONLY following all local regulations.
3. Ensure that the cables will not be squeezed or damaged by sharp edges.
4. Clean the light with a soft cloth and a standard PH-neutral detergent.
5. Misuse of/or changes to the appliance shall void all warranties.
6. Do not install on a surface that is not suitable or deformed.
7. Do not install on or above a surface with a high temperature.
8. There should not be any materials that are corrosive, explosive.



For detailed specification, please go to our website eurotechlighting.co.nz