

Buxon Sensor Button

Model: LSB

Installation Instructions

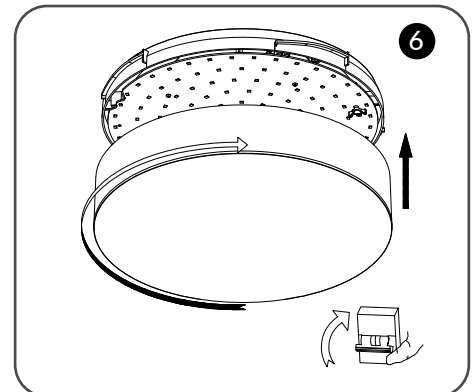
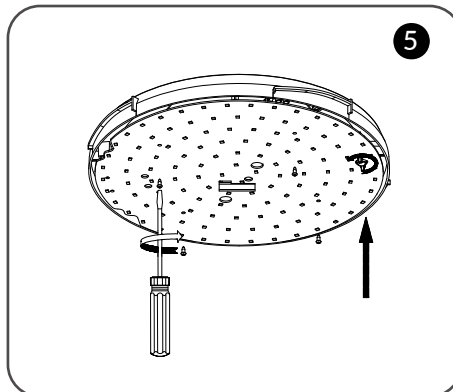
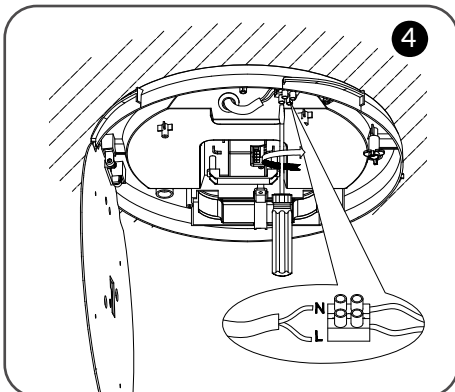
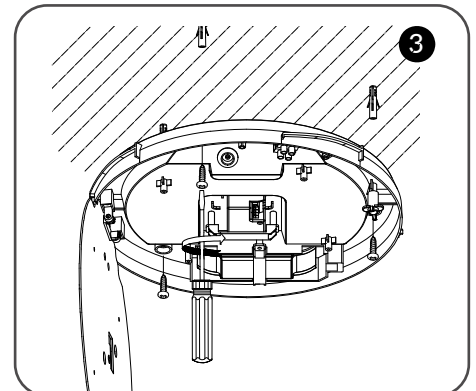
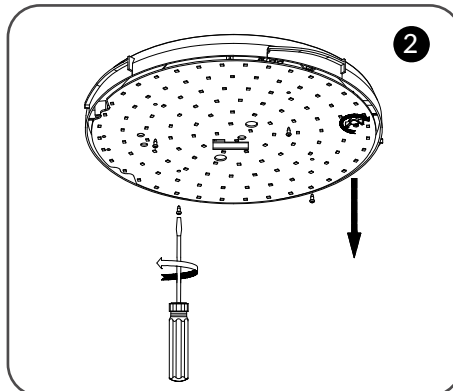
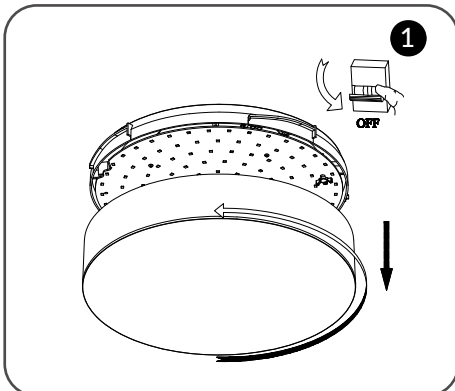
All installations must be carried out by a qualified electrician following local regulations. Make sure that the power is switched off before installation. Please read and follow the 'Installation instructions' and 'Safety instructions' sections carefully before commencing installation.

Installation of this model can change from time to time please read instructions every time before installation. For detailed specification, please go to our website eurotechlighting.co.nz

Code:	Color:	Dimensions (mm):	Dimmable:	Double Insulated:	IP Rating:	Kelvins:	Lumens:	Material:	Watts:
LSB3201-WH	White	320Ø x 64D	Yes	Yes	IP65	3000K	1450lm	UV resistant Polycarbonate body and diffuser	21W
LSB3201-CH	Charcoal								

Installation Instructions

1. Make sure power is turned off. Turn front cover to remove from fitting
2. Turn plastic lock and flip up LED board.
3. Gently knock the provided plastic expansion tubes into the pre-drilled holes, ensuring the plastic tubes are flush with the mounting surface. Run the cable through the rubber seal. Fix backplate by screwing through mounting points.
4. Connect cables paying attention to live + neutral markings.
Blue = Negative
Brown = Positive
5. Turn cover to refit to backplate ensuring a tight seal is made.
6. Ensure installation is correct before switching on the fitting to test. Once correct, fit the provided front cover.



Safety Instructions

Read these instructions carefully before commencing installation.

1. The light source contained in this luminaire shall only be replaced by the manufacturer or this service agent or a similar qualified person.
2. This LED luminaire must be installed by a licensed electrician ONLY following all local regulations.
3. Ensure that the cables will not be squeezed or damaged by sharp edges.
4. Clean the light with a soft cloth and a standard PH-neutral detergent.
5. Misuse of/or changes to the appliance shall void all warranties.
6. Do not install on a surface that is not suitable or deformed.
7. Do not install on or above a surface with a high temperature.
8. There should not be any materials that are corrosive, explosive.



For detailed specification, please go to our website eurotechlighting.co.nz

Eurotech
lighting