

Burly CCT Knockout Bulkhead

Model: KO12W

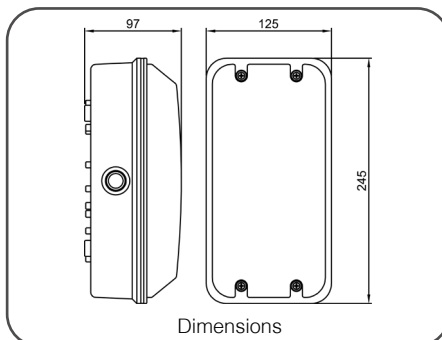
Installation Instructions

All installations must be carried out by a qualified electrician following local regulations. Make sure that the power is switched off before installation. Please read and follow the 'Installation instructions' and 'Safety instructions' sections carefully before commencing installation.

Installation of this model can change from time to time please read instructions every time before installation. For detailed specification, please go to our website eurotechlighting.co.nz

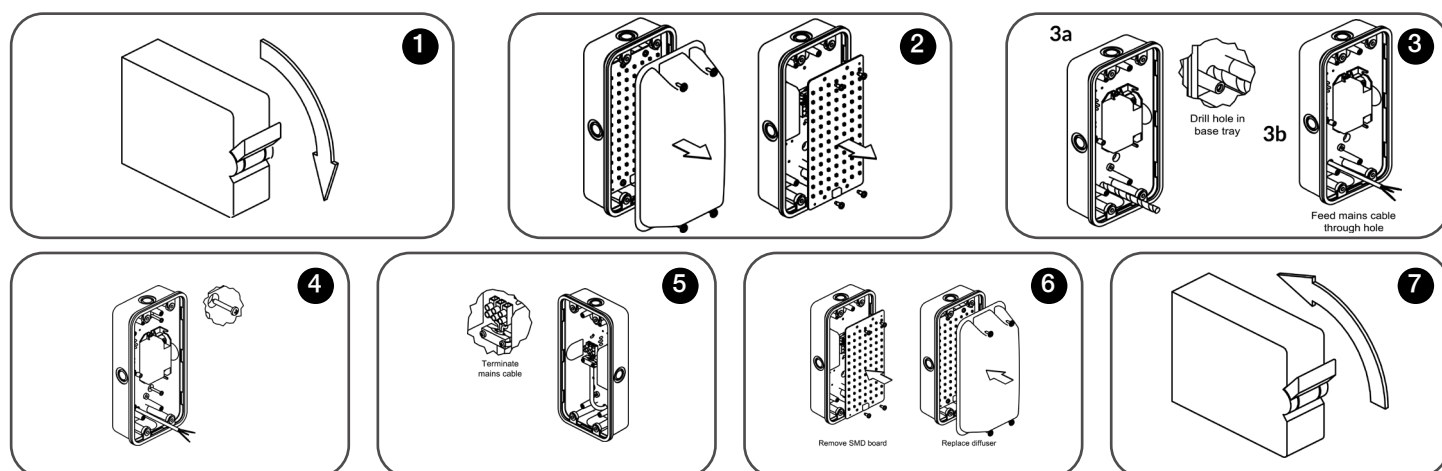
Code:	Colour:	Dimensions (mm):	IP Rating:	Kelvins:	Lumens:	Material:	Watts:
KO12W4K-BLKCCT	Black	245 x 125 x 97	IP65	3000K / 4000K / 6500K Switchable	796lm / 894lm / 828lm	UV Resistant Polycarbonate	12W
KO12W4K-WHCCT	White						

Product Information



Installation Instructions

1. Isolate mains supply before commencing with the installation.
2. Choose the desired position for your new bulkhead and before making any fixing holes check that there are no obstructions hidden beneath the mounting surface such as pipes or cables. Remove diffuser & LED PCB from the bulkhead.
3. Select a suitable cable entry point in the base tray of the bulkhead and (a) Drill a hole through in the desired position. (b) Feed the mains cable through the hole. Note: If using a knock out hole on the side apply silicon to the joint or use the IP65 cable gland.
4. Position and fix the base tray to a suitable solid surface using screws supplied, do not install this fitting on newly plastered surfaces.
5. Terminate the cables into the terminal block mounting on the base tray ensuring the correct polarity is observed. Ensure all conductors are fully sleeved and insulated against the effects of heat.
6. Dress any cables away from the edge of the luminaire and re-secure the LED PCB & front diffuser.
7. Restore electricity and check illumination.



Safety Instructions

Read these instructions carefully before commencing installation.

1. The light source contained in this luminaire shall only be replaced by the manufacturer or this service agent or a similar qualified person.
2. This LED luminaire must be installed by a licensed electrician ONLY following all local regulations.
3. Ensure that the cables will not be squeezed or damaged by sharp edges.
4. Clean the light with a soft cloth and a standard PH-neutral detergent.
5. Misuse of/or changes to the appliance shall void all warranties.
6. Do not install on a surface that is not suitable or deformed.
7. Do not install on or above a surface with a high temperature.
8. There should not be any materials that are corrosive, explosive.



For detailed specification, please go to our website eurotechlighting.co.nz

Eurotech
lighting