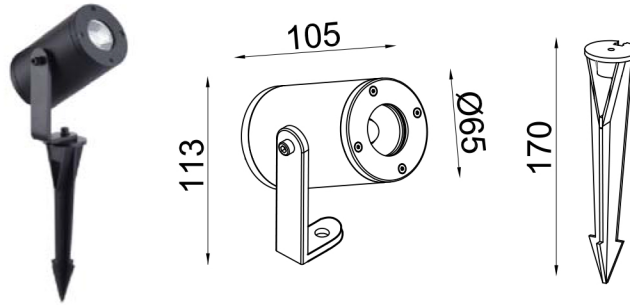




24V LED Spot Light BSP03

Type: Adjustable spotlight on spike
Watts: 1x 5W CREE LED
Lumens: 460
Kelvin: 3500K
Voltage: 24V
Beam angle: 23°
Head size: 65Ø x 105L
Spike size: 170L
Cable length: 1m
IP rating: IP65
Material: Anodised aluminium, powder coated.
Finish: Black
Information: Total power consumption = 5.5W.
Code: BSP03



Please read the instructions before commencing installation and retain instructions for future reference. Electrical products can cause death, injury and damage to property. Installation of this product must be carried out by a qualified electrician. On completion of installation, ensure that the certificate of compliance has been completed.

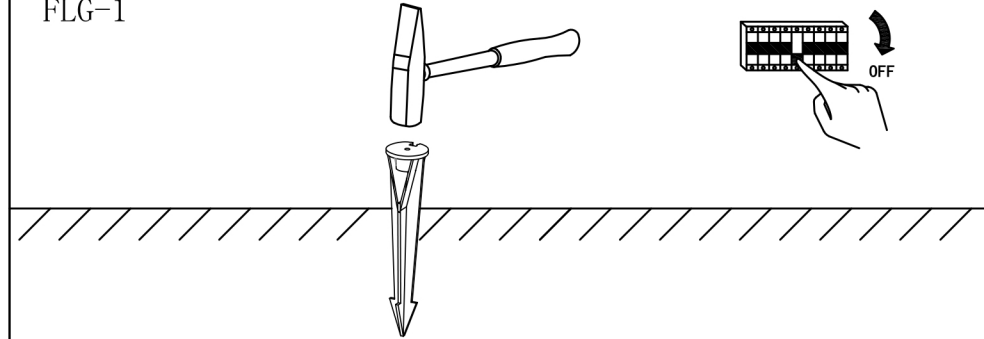
CAUTION

- Installation and maintenance must be performed by professionals only.
- Please ensure the fittings bracket is securely tightened fixed before once installed.
- Earth/ground wire must be securely connected.
- Please ensure the LED fitting is working with correct input voltage.
- Disconnect mains power supply before any maintenance is carried out.
- Do not use chemicals or corrosive cleaners to clean the light fitting.

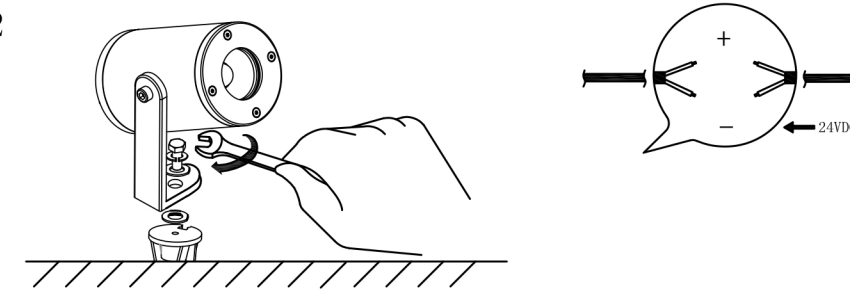
Note: The light source of this luminaire is not replaceable. When the light source reaches its end of life, the complete fitting should be replaced. The external flexible power cable/cord of this luminaire can not be replaced. If the power cable/cord has any damage, the complete fitting shall be replaced. The lens/diffuser can not be replaced. If the lens/diffuser has visible damage, the complete fitting shall be replaced.

Actual product may vary. Eurotech Lighting reserves the right to improve, modify or update the product designs without prior notice.

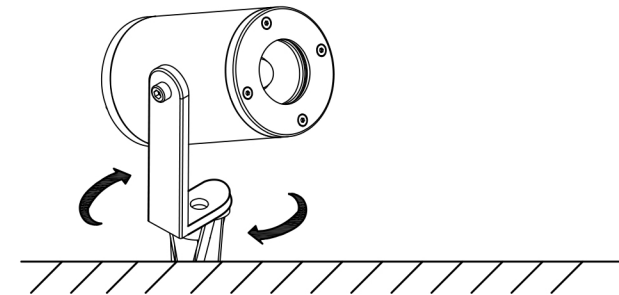
FLG-1



FLG-2



FLG-3



FLG-4

