

Ariel IP65 Batten - Standard

Model: ARIEL5FTIP65

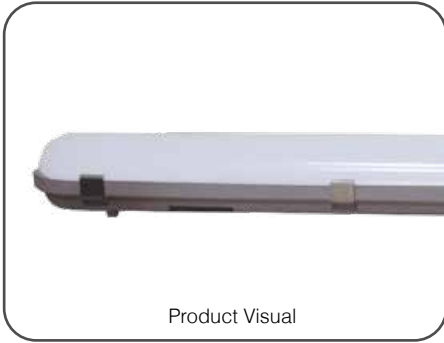
Installation Instructions

All installations must be carried out by a qualified electrician following local regulations. Make sure that the power is switched off before installation. Please read and follow the 'Installation instructions' and 'Safety instructions' sections carefully before commencing installation.

Installation of this model can change from time to time please read instructions every time before installation. For detailed specification, please go to our website eurotechlighting.co.nz

Code:	Dimensions (mm):	Double Insulated:	IP Rating:	Kelvins:	Lumens Flux:	Material:	Selectable Wattage:
ARIEL5FTIP65	1500L x 92W x 76D	No	IP65	CCT - 4K 5K 6.5K	125lm/Watt	Stainless Steel + Iron + PC	33W, 40W, 50W, 60W

Product Information

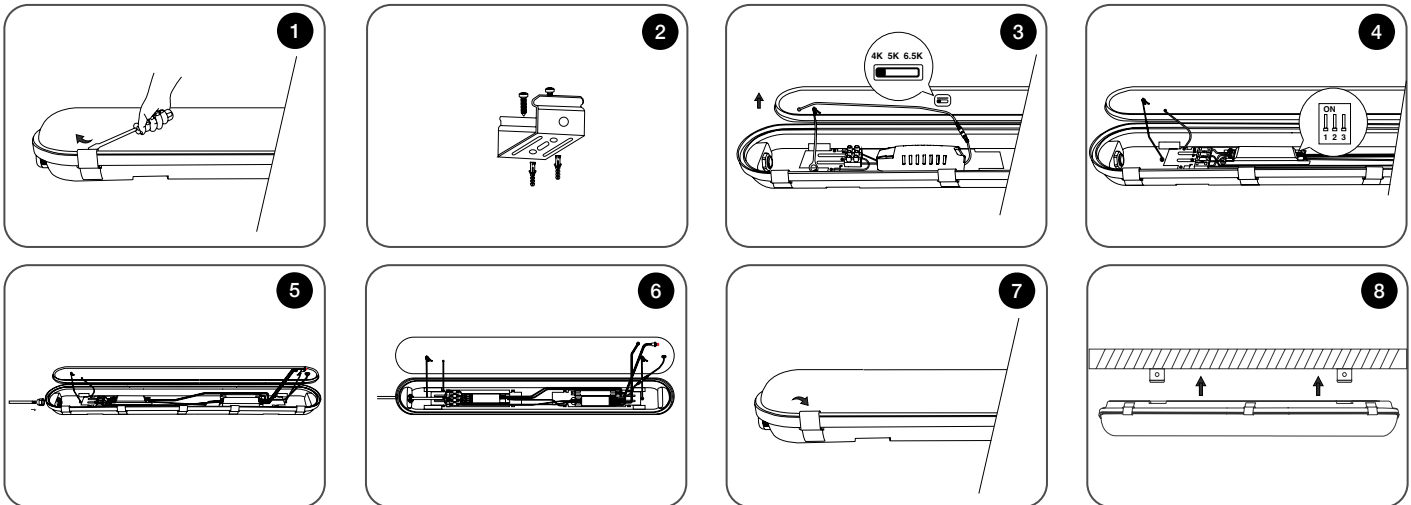


Product Visual

Installation Instructions

1. Remove the diffuser by releasing the clips along the side of the fitting with a flat head screwdriver.
2. Remove bag of mounting brackets & screws
3. Select desired colour temperature via the dip switch located on the back of the diffuser lens
4. Select desired power output by following the below on/off combinations with the internal dip switch, four options are available: 33W, 40W, 50W & 60W
 - a. 33Wattage: 1&2 OFF, 3 ON
 - b. 40Wattage: 1&3 OFF, 2 ON
 - c. 50Wattage: 2&3 OFF, 1 ON
 - d. 60Wattage: 1&2&3 OFF
5. Loosen the cable gland and insert the power through the cable gland.
6. Connect the power cable to the driver and tighten the cable gland.
7. Reattach the cover and fasten the clips.
8. Mount the fixture on the ceiling or wall.

Please refer to our website for more information (www.eurotechlighting.co.nz), or contact a Eurotech Lighting Consultant on: 09 818 6039



Safety Instructions

Read these instructions carefully before commencing installation.

1. The light source contained in this luminaire shall only be replaced by the manufacturer or this service agent or a similar qualified person.
2. This LED luminaire must be installed by a licensed electrician ONLY following all local regulations.
3. Ensure that the cables will not be squeezed or damaged by sharp edges.
4. Clean the light with a soft cloth and a standard PH-neutral detergent.
5. Misuse of/ or changes to the appliance shall void all warranties.
6. Do not install on a surface that is not suitable or deformed.
7. Do not install on or above a surface with a high temperature.
8. There should not be any materials that are corrosive, explosive.



For detailed specification, please go to our website eurotechlighting.co.nz

eurotech
lighting