

Ariel IP65 Batten - Emergency

Model: ARIEL5FTIP65E

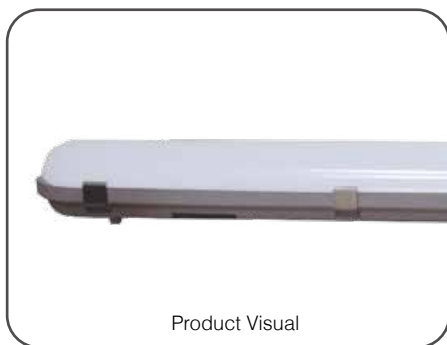
Installation Instructions

All installations must be carried out by a qualified electrician following local regulations. Make sure that the power is switched off before installation. Please read and follow the 'Installation instructions' and 'Safety instructions' sections carefully before commencing installation.

Installation of this model can change from time to time please read instructions every time before installation. For detailed specification, please go to our website eurotechlighting.co.nz

Code:	Dimensions (mm):	Double Insulated:	IP Rating:	Kelvins:	Lumens Flux:	Material:	Selectable Wattage:
ARIEL5FTIP65E	1500L x 92W x 76D	No	IP65	CCT - 4K 5K 6.5K	125lm/Watt	Stainless Steel + Iron + PC	33W, 40W, 50W, 60W

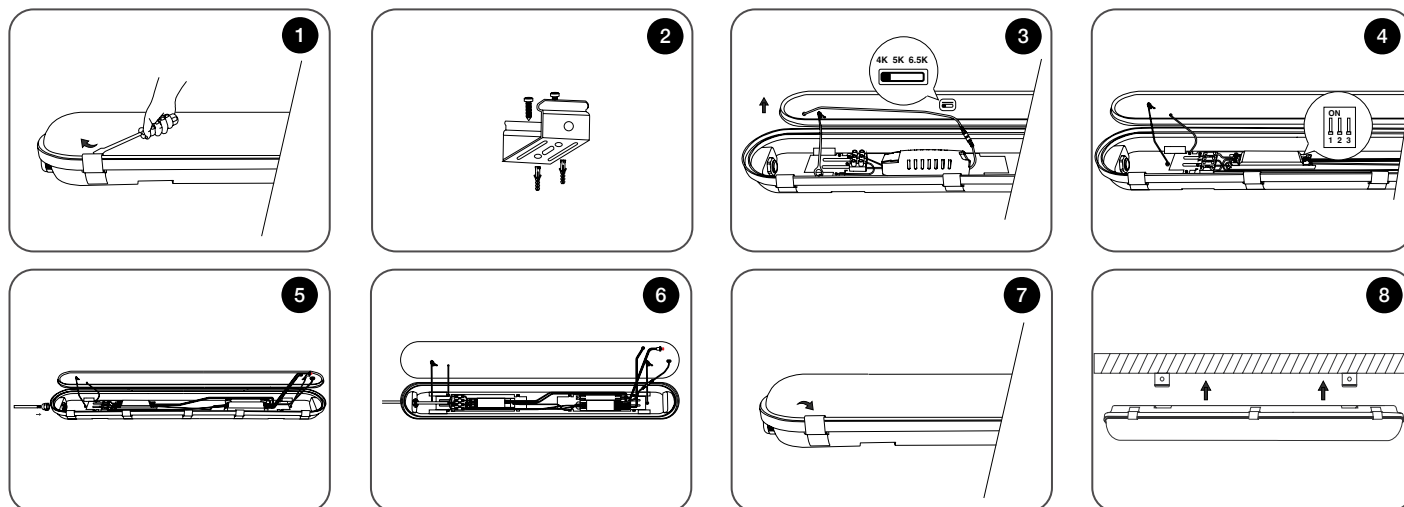
Product Information



Installation Instructions

1. Remove the diffuser by releasing the clips along the side of the fitting with a flat head screwdriver.
2. Remove bag of mounting brackets & screws
3. Select desired colour temperature via the dip switch located on the back of the diffuser lens
4. Select desired power output by following the below on/off combinations with the internal dip switch, four options are available: 33W, 40W, 50W & 60W
 - a. 33Wattage: 1&2 OFF, 3 ON
 - b. 40Wattage: 1&3 OFF, 2 ON
 - c. 50Wattage: 2&3 OFF, 1 ON
 - d. 60Wattage: 1&2&3 OFF
5. Loosen the cable gland and insert the power through the cable gland.
6. Connect the power cable to the driver and tighten the cable gland.
7. Reattach the cover and fasten the clips.
8. Mount the fixture on the ceiling or wall.

Please refer to our website for more information (www.eurotechlighting.co.nz), or contact a Eurotech Lighting Consultant on: 09 818 6039



Safety Instructions

Read these instructions carefully before commencing installation.

1. The light source contained in this luminaire shall only be replaced by the manufacturer or this service agent or a similar qualified person.
2. This LED luminaire must be installed by a licensed electrician ONLY following all local regulations.
3. Ensure that the cables will not be squeezed or damaged by sharp edges.
4. Clean the light with a soft cloth and a standard PH-neutral detergent.
5. Misuse of/or changes to the appliance shall void all warranties.
6. Do not install on a surface that is not suitable or deformed.
7. Do not install on or above a surface with a high temperature.
8. There should not be any materials that are corrosive, explosive.



For detailed specification, please go to our website eurotechlighting.co.nz



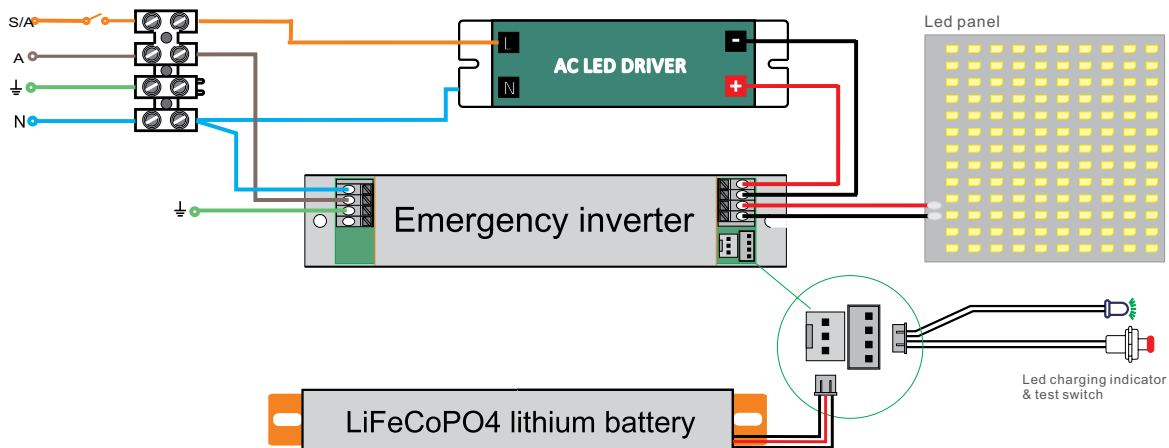
Ariel IP65 Batten - Emergency

Model: ARIEL5FTIP65E

Installation Instructions

Wiring Diagram

Before installation, please read the instructions carefully.



Testing

When luminaire is permanently connected to mains supply, allow the luminaire to fully charge for 16 hours.

Conduct following tests once the battery has fully charged:

Test 1:

A commissioning discharge test must be carried out once the luminaire is connected to mains supply.

The emergency luminaire must remain illuminated for at least 3 hours after disconnection from the mains power.

NOTE: The luminaire works on standard power when connected to mains supply and switches to 3.5W power during emergency mode operation.

Test 2:

Subsequent tests, performed every 6 months, require the luminaire to successfully operate in emergency mode for 90mins.

NOTE: A record must be maintained of all the discharge tests performed on site at all times.

Test Switch & LED Indicator	ON	OFF
<p>LED Indicator Test Switch</p>	<ul style="list-style-type: none"> Depress the test switch-luminaire will operate in Emergency mode LED indicator will be off during Emergency mode 	<ul style="list-style-type: none"> On releasing the Test switch the luminaire will automatically connect to mains supply LED indicator will illuminate
<p>LED Indicator Test Switch</p>	<ul style="list-style-type: none"> Luminaire is working on mains supply 	<ul style="list-style-type: none"> Luminaire is working in Emergency mode Luminaire has malfunctioned

