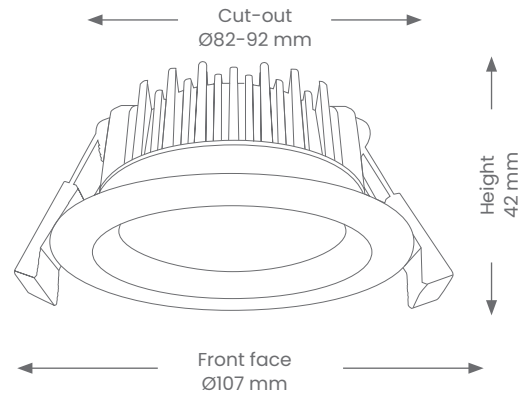


GeoLED Downlights

GEO12 – CRI80 – SINGLE COLOUR TEMPERATURE

Product Codes: ICDLR12W3K & ICDLR12W4K



BEAM ANGLE



IP RATING



DIMMABLE



CLASS 3



WARRANTY



CRI




1 COLOUR

Product Features

- 12W Fixed Recessed Downlight
- Dimmable, with compatible dimmer
- Available in single colour or tricolour temperature models.
- Suitable for residential or commercial in either interior or covered exterior installations.
- Lifespan - 54,000 hours(L70)
- Removable driver

Materials & Finish

- **Material**
 - Aluminium, corrosion resistant A6063 alloy
 - Lens - Opaque PMMA diffuser
- **LED Type**
 - Integrated SMD LED
- **Shape**
 - Round
- **Colour**
 -  White

Specifications

- **Switching Capacity** - 30,000
- **Triac Dimmable**
- **Rating** - IC-F/IC-4
- **Power**
 - Voltage - 230V
 - Driver - coverable driver
 - Power Factor - > 0.9
 - Wattage - 12W(including the driver)
 - Max ambient operating temperature: +45°C
- **Light Output**
 - Lumens - 1020lm(3K) or 1040lm(4K)
 - Colour Temperature - 3000K or 4000K
 - CRI - >80(CRI90 models available)

Installation

- **Mounting** - Recessed
- *HCB: 0mm | *SCB: 0mm | Height of fitting: 42mm

Note: DALI Dimming available on request. (3K & 4K models only)

*HCB(Height Clearance to Building) and SCB(Side Clearance to Building) clearances of 0mm does not mean that you can drill a hole in solid concrete or wood and install downlight. You must always allow for heat dissipation. Do not install closer than 500mm to illuminated surface. Please refer to instruction sheet for more details.