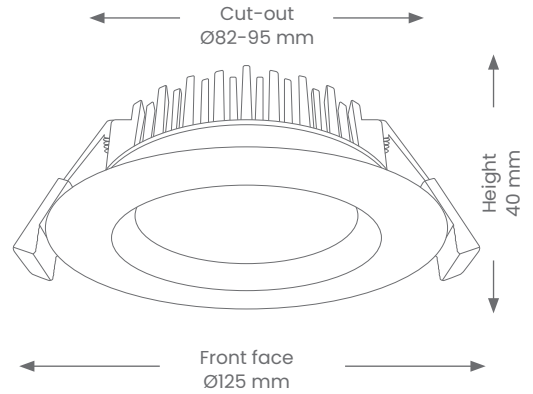


GeoLED Downlights

GEO12R – CRI80 – TRICOLOUR TEMPERATURE

Product Codes: ICDLR12512WCCT-WH/BCH



Product Features

- 12W Fixed Recessed Retrofit Downlight
- Dimmable, with compatible dimmer
- Tricolour suitable
- Suitable for residential or commercial in either interior or covered exterior installations.
- Lifespan - 54,000 hours(L70)
- Removable driver

Materials & Finish

- **Material**
 - Aluminium, corrosion resistant A6063 alloy
 - Lens - Opaque PMMA diffuser
- **LED Type**
 - Integrated SMD LED
- **Shape**
 - Round
- **Colour**
 - White Brushed Chrome

Specifications

- **Switching Capacity** - 30,000
- **Triac Dimmable**
- **Rating** - IC-F/IC-4
- **Power**
 - Voltage - 230V
 - Driver - coverable driver
 - Power Factor - > 0.9
 - Wattage - 12W(including the driver)
 - Max ambient operating temperature: +45°C
- **Light Output**
 - Lumens - 1020lm (3000K) | 1060lm (4000K) | 1040lm (6500K)
 - Colour Temperature - 3000K | 4000K | 6500K
 - CRI - >80(CRI90 models available)

Installation

- **Mounting** - Recessed
- *HCB: 0mm | *SCB: 0mm | Height of fitting: 40mm

Note:

*HCB(Height Clearance to Building) and SCB(Side Clearance to Building) clearances of 0mm does not mean that you can drill a hole in solid concrete or wood and install downlight. You must always allow for heat dissipation. Do not install closer than 500mm to illuminated surface. Please refer to instruction sheet for more details.