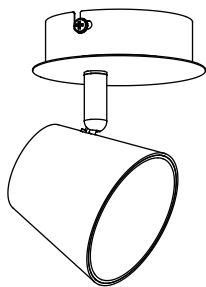
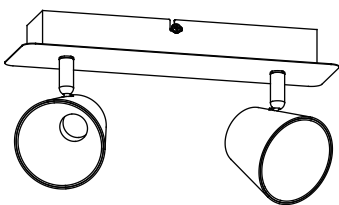


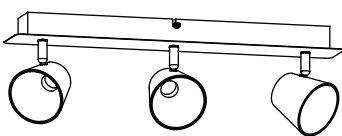
GLOW-1S...



GLOW-1...



GLOW-2...



GLOW-3...

Fig. 1

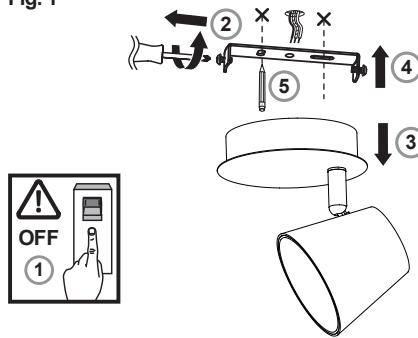


Fig. 2

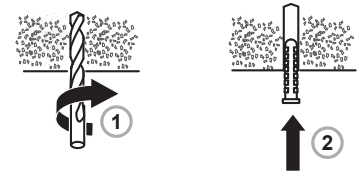


Fig. 3

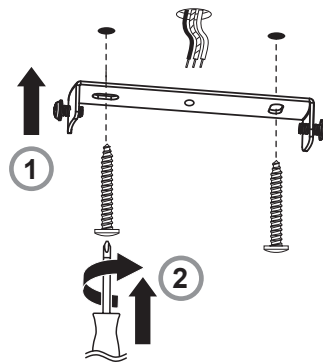


Fig. 4

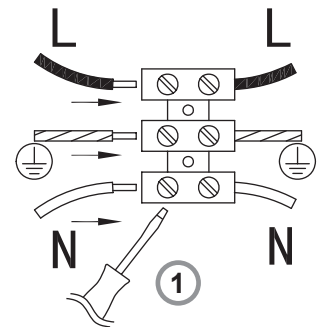
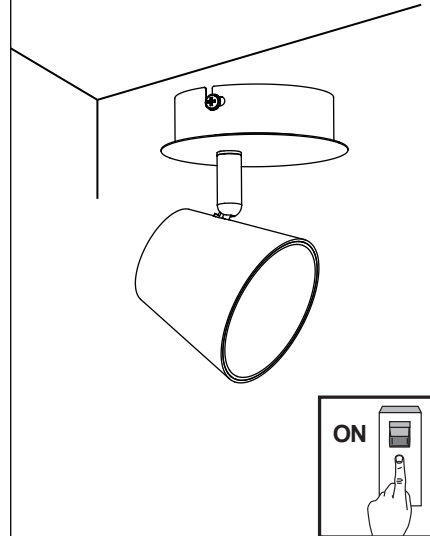
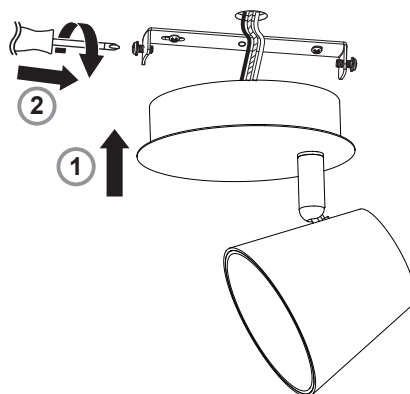


Fig. 5



This fitting must be installed by a registered electrician.
To avoid potential unsafe lamp failure, the luminaire should be switched off at least once a week.
The light source contained in this luminaire shall only be replaced by the manufacturer or this service agent or a similar qualified person.