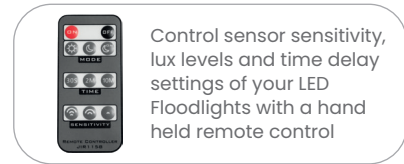
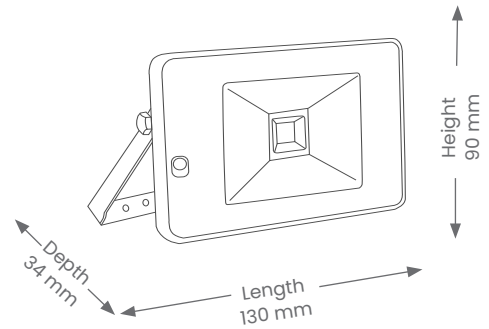


# Floodlight

## ECONLED SENSOR-MICROWAVE – SMALL



Product Codes: LEDFLOOD10W4KS-BLK/ WH



### Product Features

- Suitable for residential in exterior installations
- Cost effective solution for lighting up residential environments such as driveways, sheds, and garages
- Comes with remote control
- Lifespan- 40,000 hrs(L70)
- Also available in a non-sensor model : LEDFLOOD10W4K-BLK

### Materials & Finish

- **Material**
  - Powder coated aluminium
- **LED Type**
  - Integrated SMD LED
- **Colour**
  -  Black  White

### Specifications

- Non-Dimmable
- **Sensor**
  - Built-In - Microwave Sensor
  - Detection Distance - 1-8m
  - Time -30sec - 1hr
- **Power**
  - Voltage - 230V
  - Driver - Integral
  - Wattage -30W
  - Power Factor - >0.9
- **Light Output**
  - Lumens - 3000lm
  - Colour Temperature - 4000K
  - CRI - >75
- **Lamp**
  - Tech - Integrated LED

### Installation

- **Mounting** - Surface Mounted