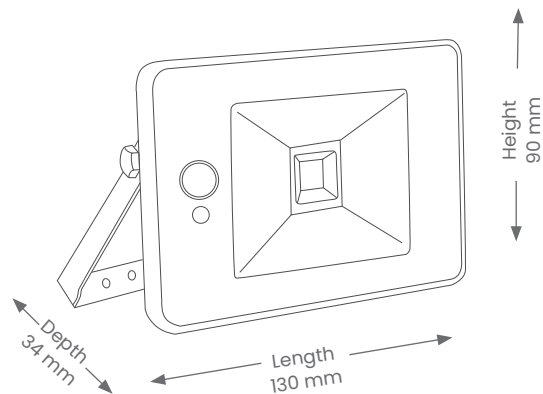


Floodlight

ECONLED SENSOR-PIR – MEDIUM


Product Codes: FLOOD20WPIR



Product Features

- Suitable for residential or commercial in exterior installations
- Cost effective solution for lighting up residential environments such as driveways, sheds, and garages
- Lifespan- 40,000 hrs(L70)

Materials & Finish

- **Material**
 - Powder coated aluminium
- **LED Type**
 - Integrated SMD LED
- **Colour**
 -  Black

Specifications

- Non-Dimmable
- **Sensor**
 - Built-In - PIR Sensor
 - Detection Distance - 1-8m
 - Time - 30sec - 1hr
- **Power**
 - Voltage - 230V
 - Driver - Integral
 - Wattage - 20W
 - Power Factor - >0.9
- **Light Output**
 - Lumens - 2000lm
 - Colour Temperature - 4000K
 - CRI - >75
- **Lamp**
 - Tech - Integrated LED

Installation

- **Mounting** - Surface Mounted