

Esther – Wall Light

Model: KW199

Installation Instructions

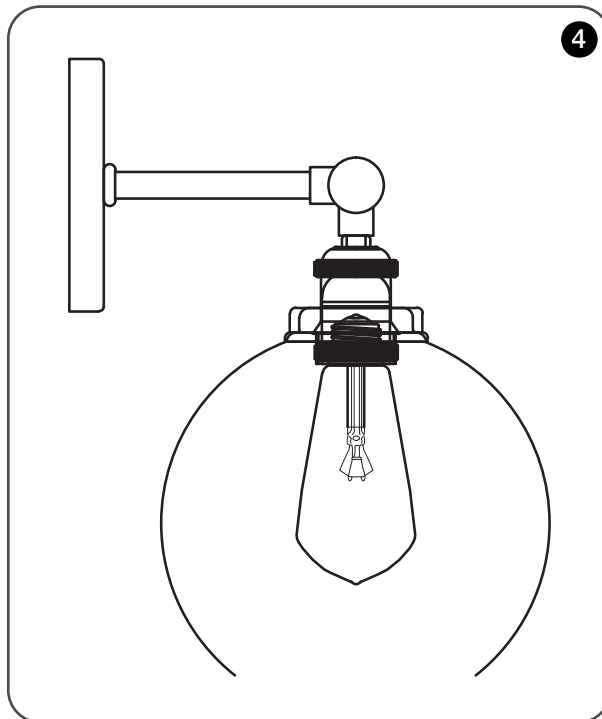
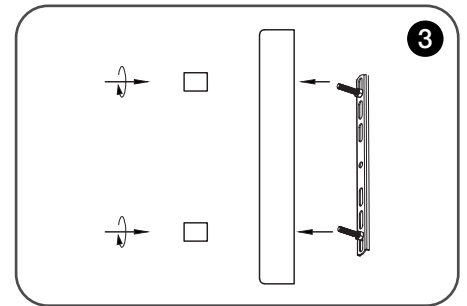
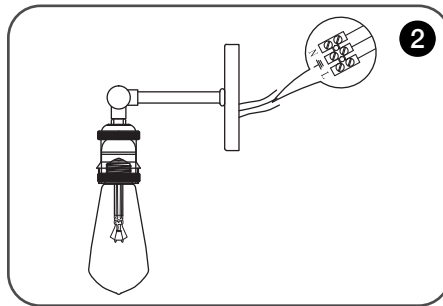
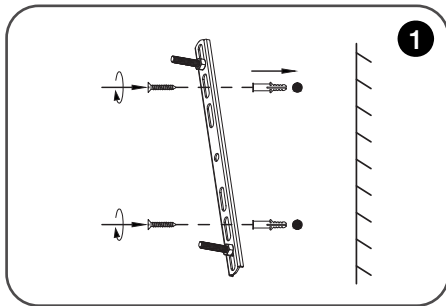
All installations must be carried out by a qualified electrician following local regulations. Make sure that the power is switched off before installation. Please read and follow the 'Installation instructions' and 'Safety instructions' sections carefully before commencing installation.

Installation of this model can change from time to time please read instructions every time before installation. For detailed specification, please go to our website eurotechlighting.co.nz

Code:	Colour:	Dimensions (mm):	Driver:	Fixing Area (mm):	Lamp:	Material:	Voltage:
KW199	Brass & Grey	200W x 220D x 300H	Driver not required	110Ømm	E27 40W max (Not Included)	Glass & Metal	230V

Installation Instructions

1. Using mounting brackets as a guide drill two mounting holes. Knock two white expansion tubes provided into the holes. Turn two pieces screws into the white expansion tubes through the bracket holes to fix the bracket on the wall.
2. Connect wires into connector block provided paying attention to live, natural + earth markings.
3. Connect wall light to mounting bracket.
4. Once all wires are connected, fit glass with glass shade ring then place your LED lamp into fitting. Ensure installation is correct before switching on the fitting to test.



Safety Instructions

Read these instructions carefully before commencing installation.

1. This LED luminaire must be installed by a licensed electrician ONLY following all local regulations.
2. Ensure that the cables will not be squeezed or damaged by sharp edges.
3. Clean the light with a soft cloth and a standard PH-neutral detergent.
4. Misuse of/or changes to the appliance shall void all warranties.
5. Do not install on a surface that is not suitable or deformed.
6. Do not install on or above a surface with a high temperature.
7. There should not be any materials that are corrosive, explosive.



For detailed specification, please go to our website eurotechlighting.co.nz