

# Deco Backlit Wall Light

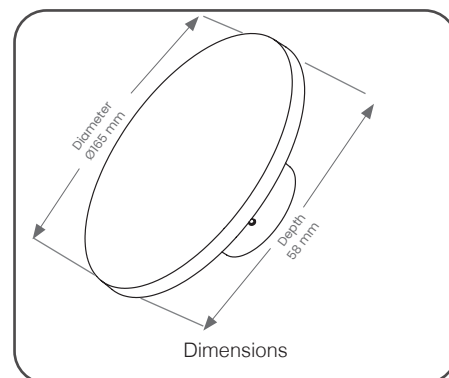
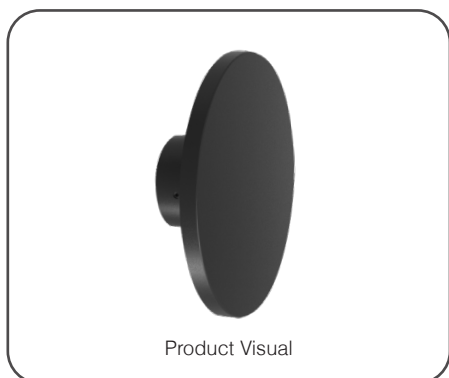
## Model: LDS651-BLK/ WH Installation Instructions

All installations must be carried out by a qualified electrician following local regulations. Make sure that the power is switched off before installation. Please read and follow the 'Installation instructions' and 'Safety instructions' sections carefully before commencing installation.

Installation of this model can change from time to time please read instructions every time before installation. For detailed specification, please go to our website [eurotechlighting.co.nz](http://eurotechlighting.co.nz)

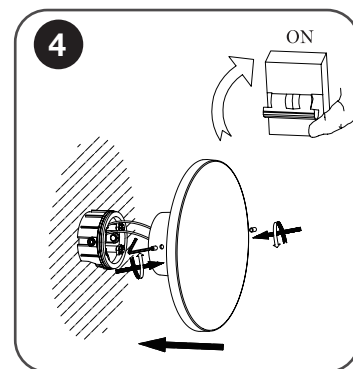
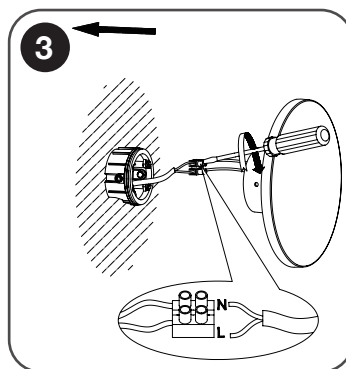
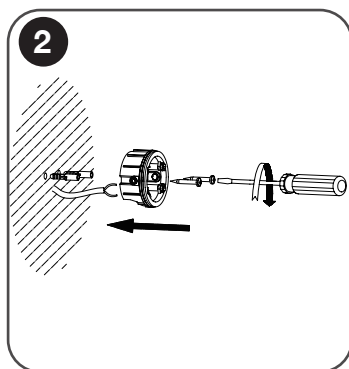
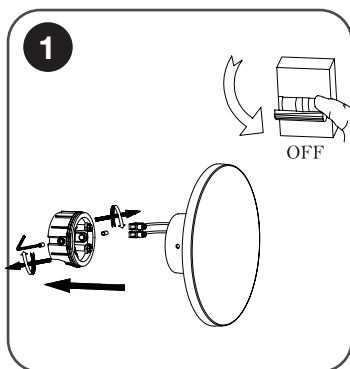
Code:	Colour:	Dimensions (mm):	Double Insulated:	IP Rating:	Kelvins:	Lumens:	Material:	Watts:
LDS651-BLK	Black	165Ø x 58D	Yes	IP65	3000K	600lm	Polycarbonate + ABS & PC diffuser	8W
LDS651-WH	White							

### Product



### Installation Instructions

1. Make sure power is turned off
2. Open the back plate of the fitting with a phillips screwdriver.
3. Run the cable through the rubber seal. Then connect cables paying attention to live + neutral markings:  
Blue = Negative  
Brown = Positive
4. Screw the fitting onto the wall and turn on the switch once your done.



### Safety Instructions

Read these instructions carefully before commencing installation.

1. The light source contained in this luminaire shall only be replaced by the manufacturer or this service agent or a similar qualified person.
2. This LED luminaire must be installed by a licensed electrician ONLY following all local regulations.
3. Ensure the cables are will not be squeezed or damaged by sharp edges.
4. Clean the light with a soft cloth and a standard PH-neutral detergent.
5. Misuse of/or changes to the appliance shall void all warranties.

