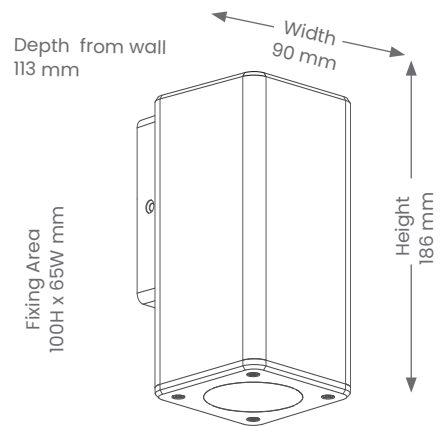


## Wall Light

### Byron Square – Two Way – Small

Product Codes: LUS2003



IP RATING



DIMMABLE\*



DOUBLE INSULATED




WARRANTY

## Product Features

- Suitable for residential in exterior installations.
- 2-Way Light Direction
- Dimmable, lamp dependent
- Suitable for coastal conditions

## Materials & Finish

- **Material**
  - UV Resistant anti-corrosion ABS & Polycarbonate
- **Colour**
  -  Black

## Specifications

- IK Rating – IK08
- **Power**
  - Voltage – 230V
  - Wattage – 2 x 10W Max
- **Lamp**
  - 2 x GU10 lamps (sold separately)
  - Tech – Replaceable lamp

## Installation

- **Mounting** – Surface Mounted