

1

2

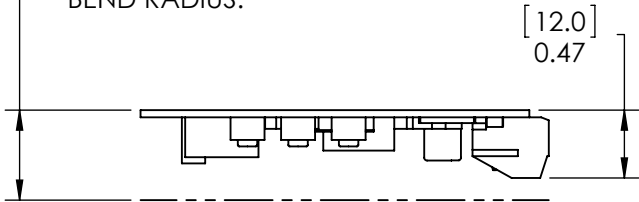
3

4

5

6

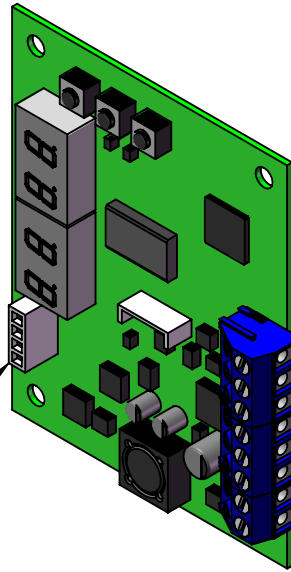
ALLOW AT LEAST 5/8" CLEARANCE TO FIT BOARD AND SENSOR CABLE BEND RADIUS.



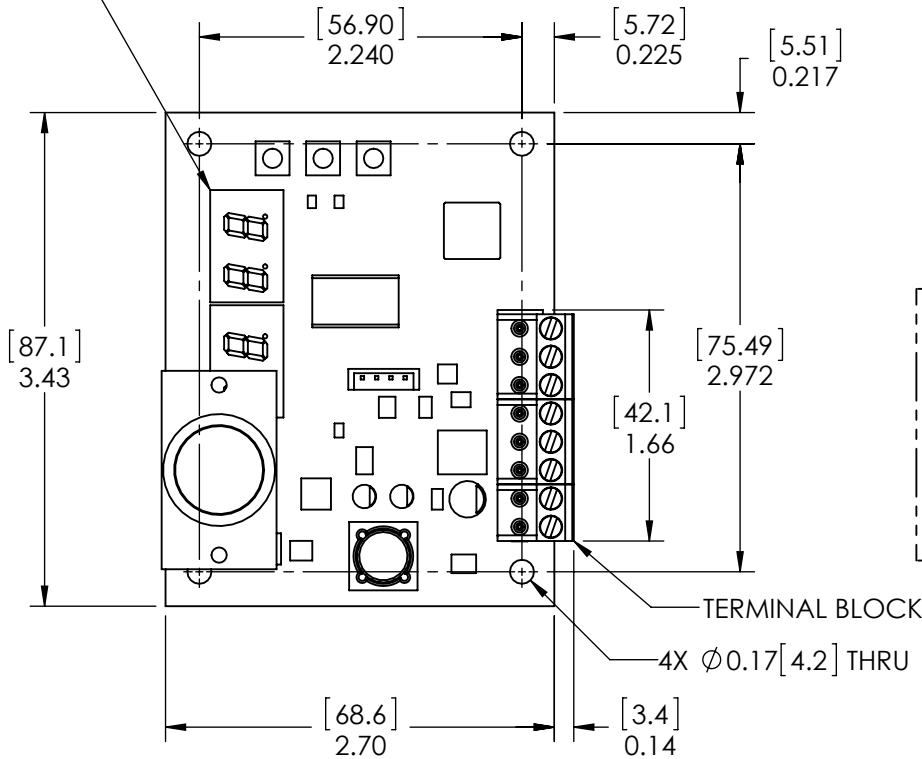
**APPLICABLE MODELS BELOW:**

SKU #	DESCRIPTION
CM-0134	25% O2
CM-0134-WT	25% O2, WITH SAMPLING TUBE
CM-0150	25% O2, WITH MOUNT SHIELD
CM-0160	95% O2
CM-0160-WT	95% O2, WITH SAMPLING TUBE
CM-0161	95% O2, WITH MOUNT SHIELD

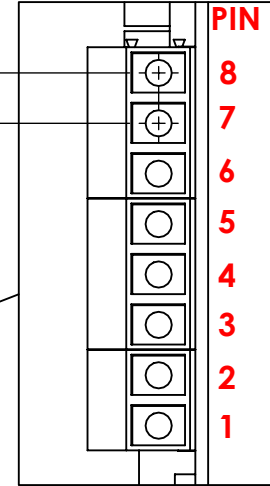
SENSOR CONNECTOR (SEE SHEET 2)



LED DISPLAY



[5.0] 0.20 TYP



DETAIL A SCALE 4:3

**TERMINALS**

PIN #	FUNCTION
1	VDC, G-
2	VDC, G+
3	4-20mA, SIG
4	4-20mA, GND
5	RS-485, A
6	RS-485, B
7	RS-485, GND
8	RESET

**NOTES:**

- DO NOT SCALE FROM THIS DRAWING.
- ELECTRONIC COMPONENTS SHOWN FOR ILLUSTRATION PURPOSES ONLY. SOME COMPONENTS OMITTED FOR CLARITY.

131 Business Center  
Building A-3  
Ormond Beach, FL



Toll free: 877.678.4259  
Fax: 866.422.2356  
www.co2meter.com

Title TR250Z OXYGEN SENSOR DEVELOPMENT KIT

APPROVALS	DATE	SIZE	PART NO.	REV
DRAWN JMC	9/29/2014	A	VDD-0033	-
CHECKED MV	10/6/2014	SCALE 3:4	THIRD ANGLE PROJECTION	SHEET 1 OF 2

1

2

3

4

5

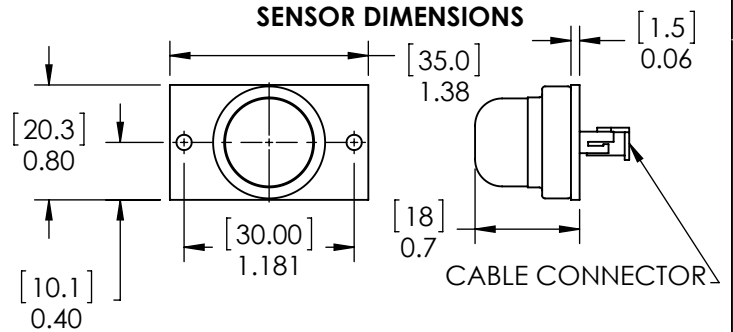
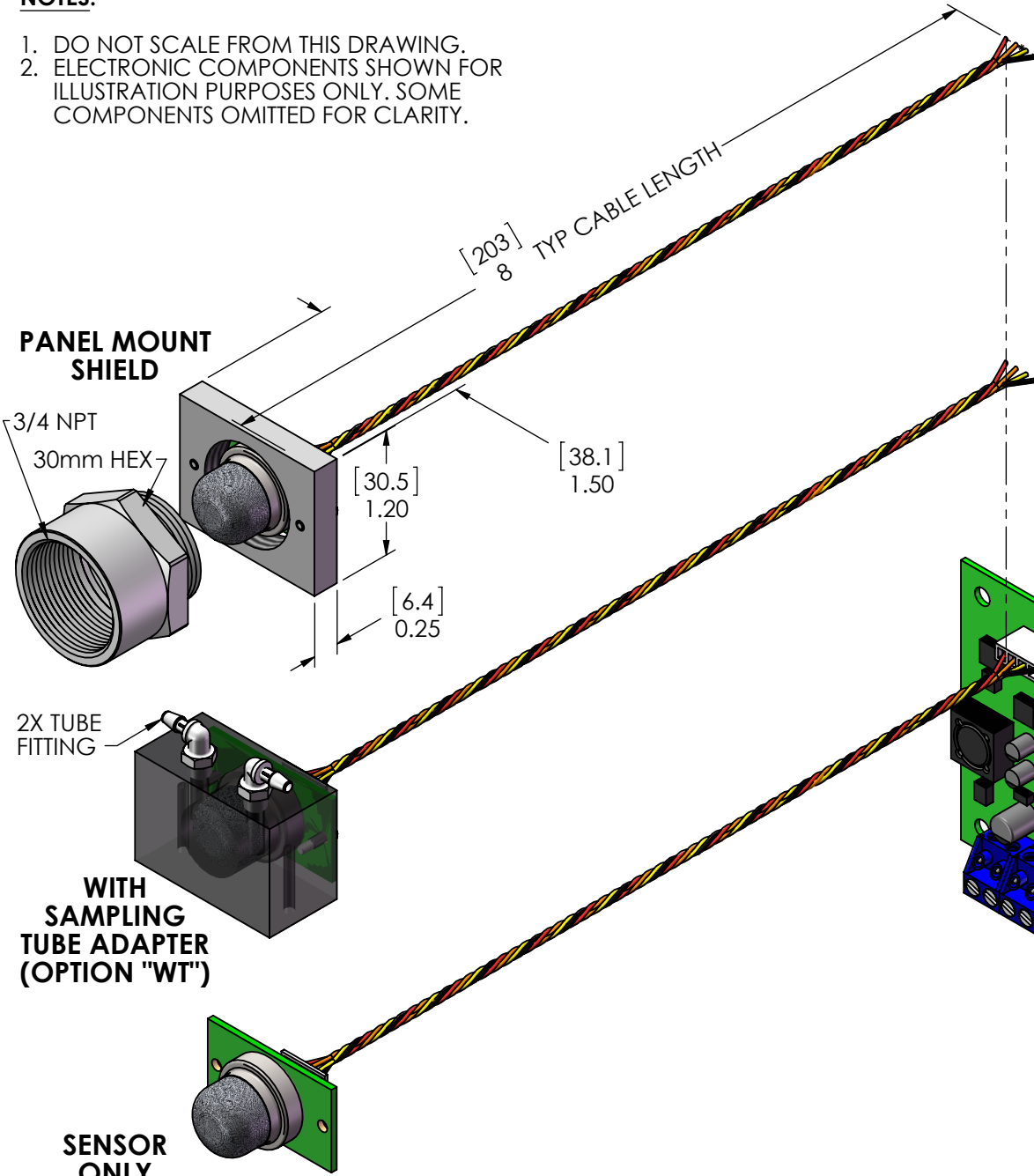
6

**NOTES:**

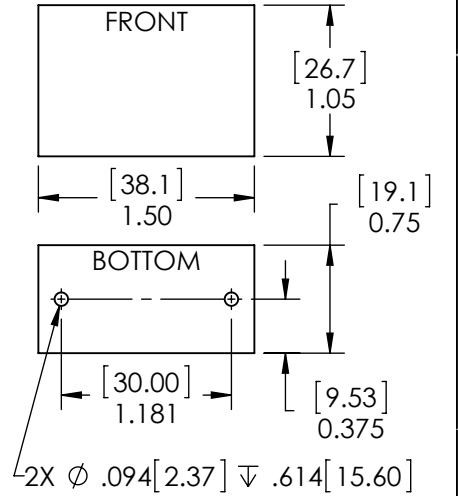
- DO NOT SCALE FROM THIS DRAWING.
- ELECTRONIC COMPONENTS SHOWN FOR ILLUSTRATION PURPOSES ONLY. SOME COMPONENTS OMITTED FOR CLARITY.

**APPLICABLE MODELS BELOW:**

SKU #	DESCRIPTION
CM-0134	25% O2
CM-0134-WT	25% O2, WITH SAMPLING TUBE
CM-0150	25% O2, WITH MOUNT SHIELD
CM-0160	95% O2
CM-0160-WT	95% O2, WITH SAMPLING TUBE
CM-0161	95% O2, WITH MOUNT SHIELD



**SAMPLING TUBE ADAPTER DIMENSIONS**



131 Business Center  
Building A-3  
Ormond Beach, FL

CO2 MEASUREMENT SPECIALISTS

Toll free: 877.678.4259  
Fax: 866.422.2356  
www.co2meter.com

Title: TR250Z OXYGEN SENSOR DEVELOPMENT KIT

APPROVALS	DATE	SIZE	PART NO.	REV
DRAWN JMC	9/29/2014	A	VDD-0033	-
CHECKED MV	10/6/2014	SCALE	3:4	THIRD ANGLE PROJECTION
				SHEET SHEET 2 OF 2