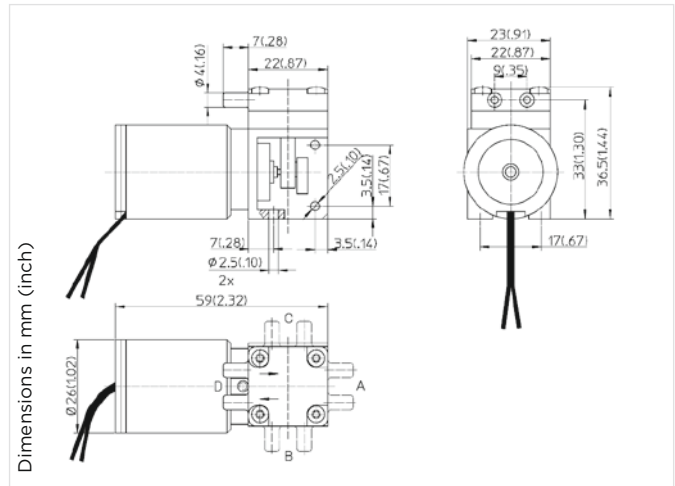


Diaphragm Pump 3003 VD BLDC - PMP-0012

Flow	700 ml/min
Max. pressure	1000 mbar
Max. vacuum	48 %



PNEUMATIC DATA

Description	3003VD/0.9/E/BLDC	
Part number	6 V	30030512
Max. flow	700 ml/min	
Max. intermittent duty	1000 mbar	
Max. continuous pressure	300 mbar	
Max. restart pressure	700 mbar	
Max. vacuum	48 %	
Max. restart vacuum	48 %	

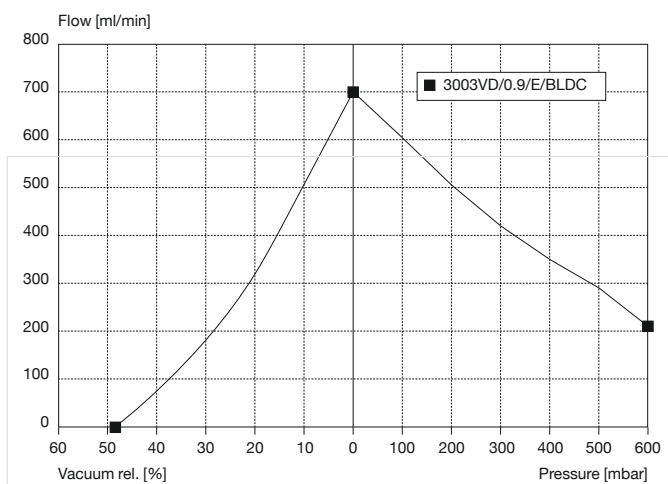
ELECTRICAL DATA

Motor type	Brushless DC
Power consumption	1.08 W
Protection class (Motor)	IP00
Drive electronic	integrated
Bearing type	Ball bearing

GENERAL DATA

Ambient temperature	10 to 50 °C
Media temperature	10 to 50 °C
Weight	95 g
Port direction	D

FLOW CURVES



WETTED PARTS

Pump head	PF	
Diaphragm plate	PA	
Diaphragm, valves	EPDM	FKM, Silicone
Diaphragm screw	SST	

Model key:

