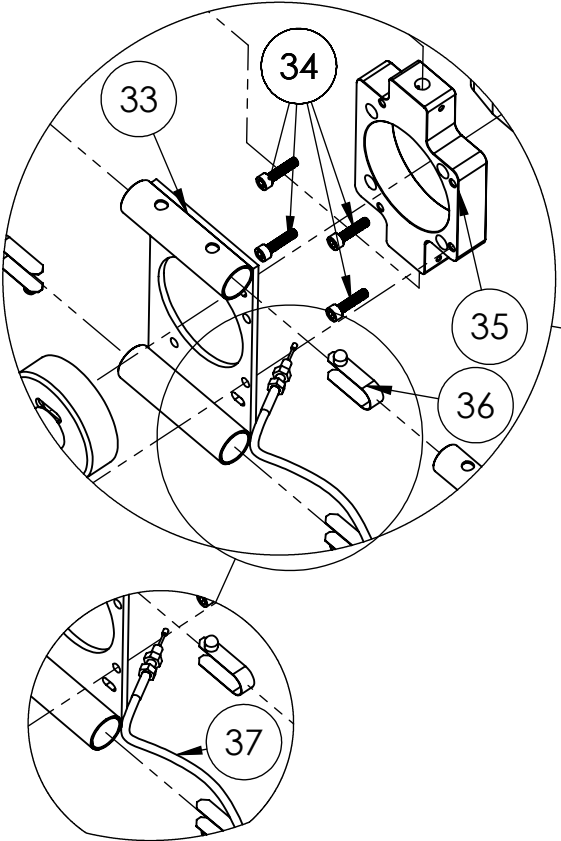
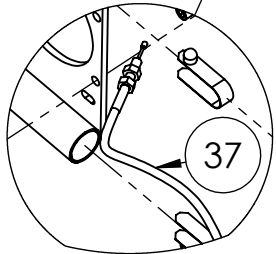


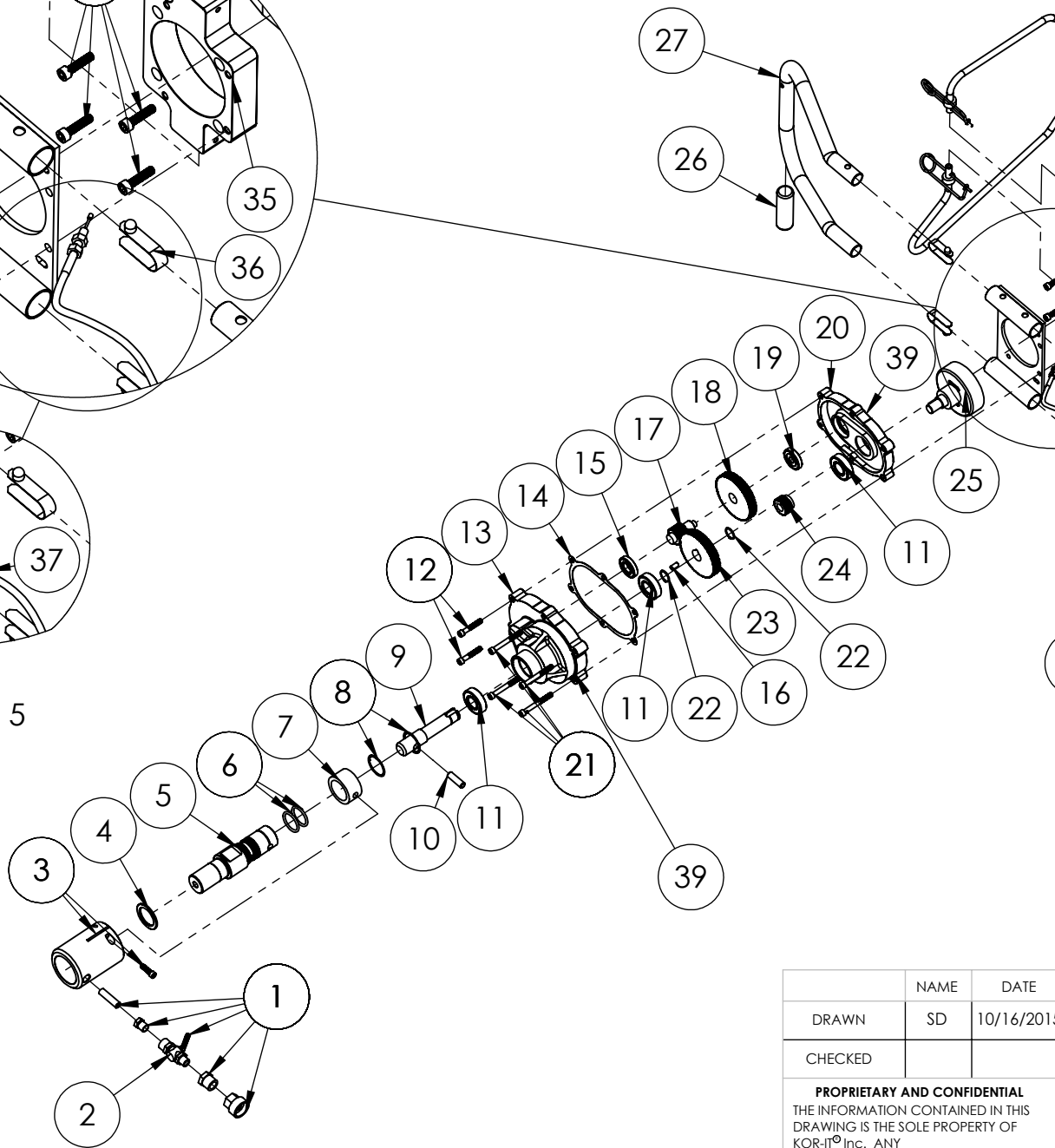
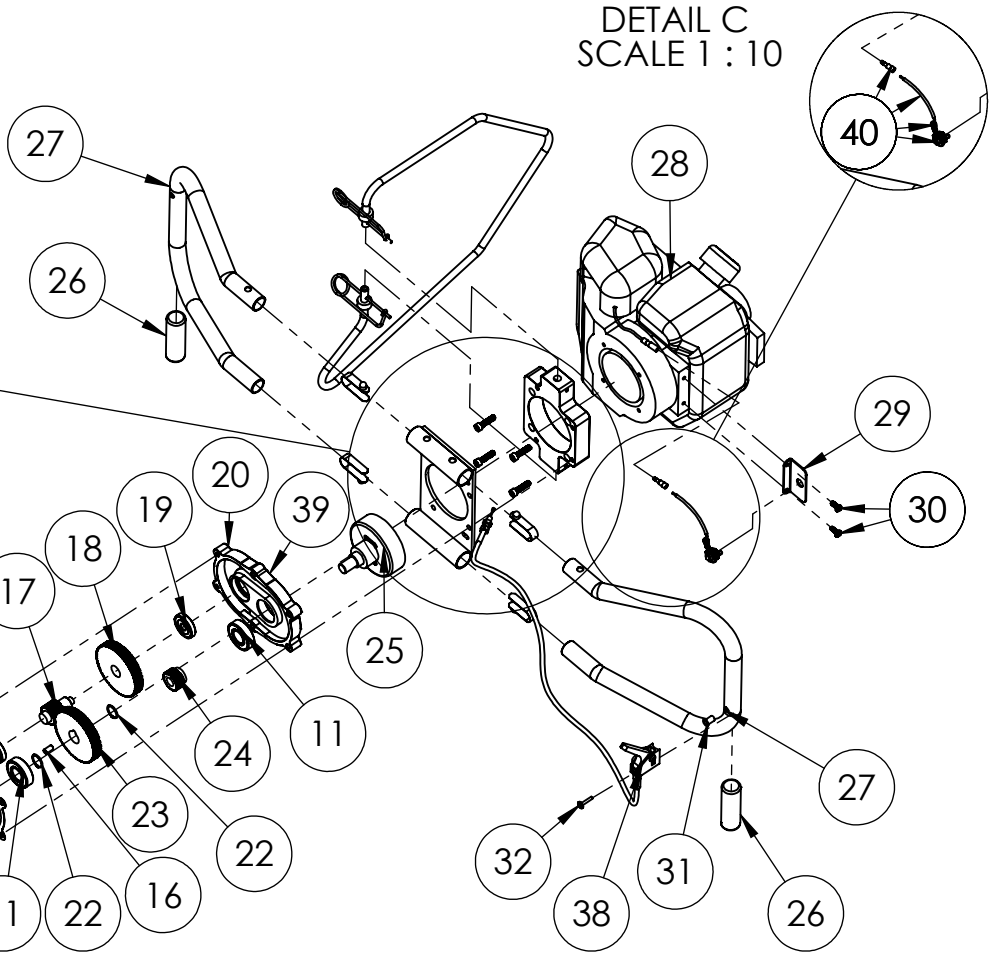
DETAIL A  
SCALE 1 : 5



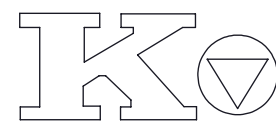
DETAIL B  
SCALE 1 : 5



DETAIL C  
SCALE 1 : 10



NAME **K-525**



2442 Rice ave.  
West Sacramento  
CA, 95691 USA  
(916) 372-9248  
FAX (916) 372-9248  
(888) 727-4560  
WWW.KOR-IT.COM

	NAME	DATE
DRAWN	SD	10/16/2015
CHECKED		

**PROPRIETARY AND CONFIDENTIAL**  
THE INFORMATION CONTAINED IN THIS  
DRAWING IS THE SOLE PROPERTY OF  
KOR-IT<sup>®</sup> Inc. ANY  
REPRODUCTION IN PART OR AS A WHOLE  
WITHOUT THE WRITTEN PERMISSION OF  
KOR-IT<sup>®</sup> Inc. IS PROHIBITED.

SIZE	DWG. NO.	REV
<b>A</b>	<b>K525 NET</b>	<b>1</b>

DO NOT SCALE DRAWING

SHEET 1 OF 2

NO	QTY	PART#	DESCRIPTION - SALES
1	1	AP300-001	WATER VALVE ASSEMBLY, K400'S / K500'S
2	1	HVW-1049	VALVE, WATER VALVE, AIR COCK
3	1	AP500-005	WATER COVER ASSEMBLY, K500'S
4	1	FWC-3138	WASHER, DRIVE SHAFT, COPPER
5	1	P500-004-001	SHAFT, MAIN DRIVE, K500'S
6	2	HOR-1007	O-RING, WATER SWIVAL, 500 SERIES
7	1	P500-004-002	BUSHING, WATER SWIVAL, K500'S
8	2	FRR-3097	RETAINING RING, K500 / K-525
9	1	P500-001-007	SHAFT, DRIVE, OUTPUT, K500'S
10	1	FPD-3100	PIN, DOWEL, 3/8"
11	3	HBE-1034	BEARING, CLOSED SEAL 3/4"
12	2	FSS-3131	SCREW, SOCKET HEAD CAP, 1/4-20 X 1-1/2, BLACK OXIDE
13	1	P500-001-001	CASE, BOTTOM, GEAR BOX, 500'S
14	1	HGG-1041	GASKET, GEAR BOX, 500 SERIES
15	1	HBE-1058	BEARING, OPEN SEAL, 500 SERIES
16	1	FPD-3099	PIN, DOWEL, 1/4"
17	1	P500-001-004	GEAR, IDLER, SHAFT, K501 / K-525
18	1	P525-001-002	GEAR, IDLER, K-525
19	1	HBE-1038	BEARING, OPEN SEAL, 3/8", 500 SERIES
20	1	P500-001-002	CASE, TOP, GEARBOX, 500'S
21	4	FSS-3133	SCREW, SOCKET HEAD, 2-1/4", BLACK OXIDE
22	2	FRR-3096	RETAINING RING, EXTERNAL, 3/4"
23	1	P500-001-003	GEAR, OUTPUT, K500'S
24	1	P525-001-001	GEAR, INPUT -K-525
25	1	AP500-004	CLUTCH ASSEMBLY, K501 / K525
26	2	HHG-5008	HANDLE BAR GRIPS K 500'S
27	2	P500-002-001	HANDLE BARS K500'S
28	1	HMG-1042	MOTOR, HONDA, GX35NT, 500'S
29	1	P500-003-001	BRACKET, SWITCH, K500'S
30	2	FSP-3084	SCREW, PHILLIPS PAN HEAD MACHINE, 10-32 X 1/2", ZINC
31	1	FNK-3098	NUT, KNURLRD, RIVET, 10-24
32	1	FSP-3081	SCREW, PHILLIPS PAN HEAD MACHINE, 10-24 X 3/4", ZINC
33	2	AP500-002	BASE, HANDLE BAR, K500'S
34	4	FSS-3132	SCREW, SOCKET HEAD, M6 - 1.0 X 25MM, BLACK OXIDE
35	1	P500-003-002	PLATE, ADPTR, MTR MTNG, K500'S
36	4	HCL-5009	CLIP, HANDLE BARS, 500 SERIES
37	1	AP500-B02	THROTTLE CABLE, K500'S
38	1	P500-B02-005	TRIGGER, THROTTLE, K500'S
39	1	AP525-001	GEAR BOX ASSEMBLY, K501
40	1	AP500-003	KILL SWITCH ASSEMBLY, K500'S