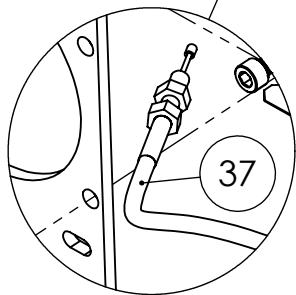
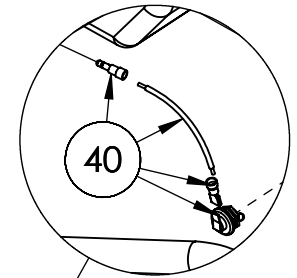
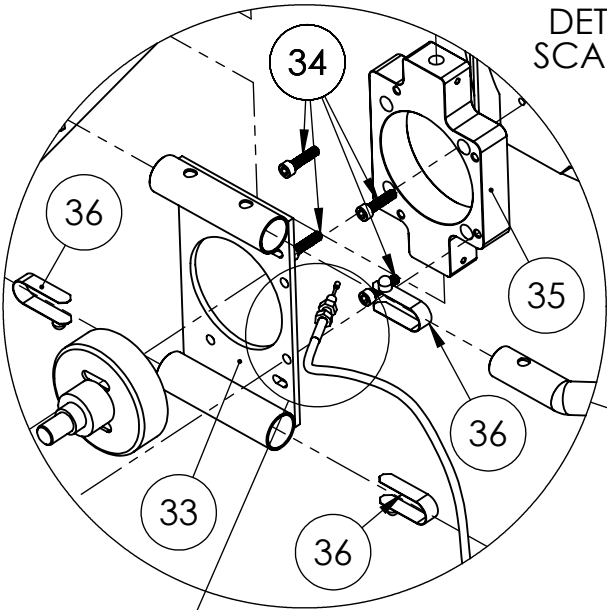
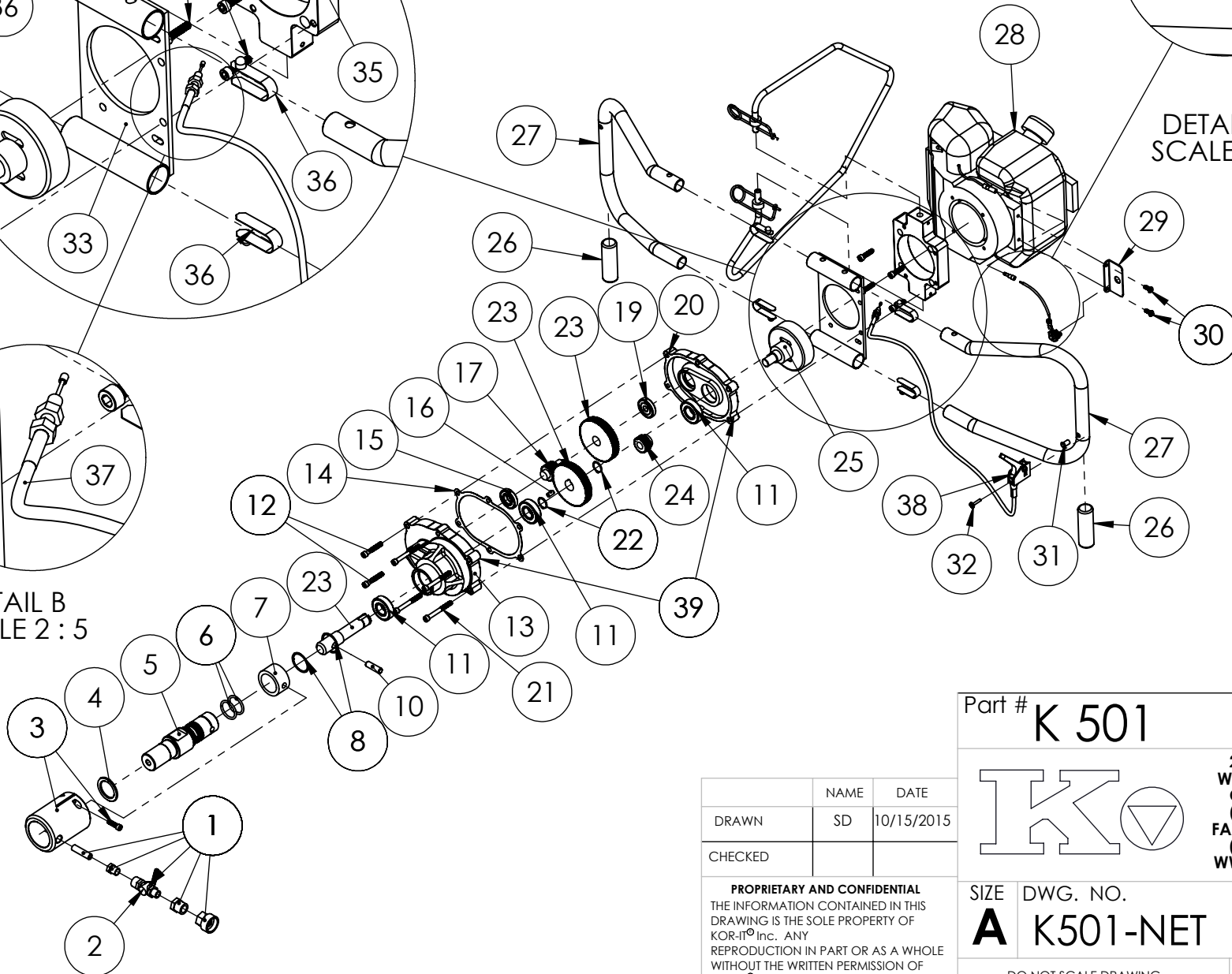


DETAIL A
SCALE 1 : 5

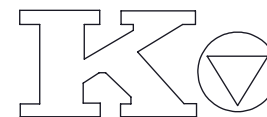
DETAIL C
SCALE 1 : 5



DETAIL B
SCALE 2 : 5



Part # **K 501**



2442 Rice ave.
West Sacramento
CA, 95691 USA
(916) 372-9248
FAX (916) 372-9248
(888) 727-4560
WWW.KOR-IT.COM

	NAME	DATE
DRAWN	SD	10/15/2015
CHECKED		

PROPRIETARY AND CONFIDENTIAL
THE INFORMATION CONTAINED IN THIS
DRAWING IS THE SOLE PROPERTY OF
KOR-IT[®] Inc. ANY
REPRODUCTION IN PART OR AS A WHOLE
WITHOUT THE WRITTEN PERMISSION OF
KOR-IT[®] Inc. IS PROHIBITED.

SIZE DWG. NO.
A K501-NET

REV
1

DO NOT SCALE DRAWING

SHEET 1 OF 2

NO.	QTY.	PART #	DESCRIPTION - SALES
1	1	AP300-001	WATER VALVE ASSEMBLY, K400'S/K500'S
2	1	HVW-1049	VALVE, WATERVALVE, AIR COCK
3	1	AP500-005	WATER COVER ASSEMBLY, 500'S
4	1	FWC-3138	WASHER, DRIVE SHAFT, COPPER
5	1	P500-004-001	SHAFT, MAIN DRIVE, K500'S
6	2	HOR-1007	O-RING, WATER SWIVEL, 500 SERIES
7	1	P500-004-002	BUSHING, WATER SWIVAL, K500'S
8	2	FRR-3097	RETAINING RING, K501 / K-525
9	1	P500-001-007	SHAFT, DRIVE, OUTPUT, K500'S
10	1	FPD-3100	PIN, DOWEL, 3/8
11	3	HBE-1034	BEARING, CLOSED SEAL 3/4
12	2	FSS-3131	SCREW, SOCKET HEAD CAP, 1/4-20 X 1 1/2, BLACK OXIDE
13	1	P500-001-001	CASE BOTTOM, GEAR BOX, 500'S
14	1	HGG-1041	GASKET, GEAR, 500 SERIES
15	1	HBE-1058	BEARING, OPEN SEAL, 500 SERIES
16	1	FPD-3099	PIN, DOWEL, 1/4
17	1	P500-001-004	GEAR, IDLER, SHAFT, K501 / K-525
18	1	P501-001-005	GEAR, IDLER, K501
19	1	HBE-1038	BEARING, OPEN, 3/8, 500 SERIES
20	1	P500-001-002	CASE, TOP, GEARBOX, 500'S
21	4	FSS-3133	SCREW, SOCKET HEAD, 2- 1/4, BLACK OXIDE
22	2	FRR-3096	RETAINING RING, EXTERNAL, 3/4"
23	1	P500-001-003	GEAR, OUTPUT, K500
24	1	P501-001-006	GEAR, INPUT, K-501
25	1	AP500-A01	CLUTCH ASSEMBLY, K501/ K525
26	2	HHG-5008	HANDLE BAR GRIPS K500'S
27	2	P500-002-001	HANDLE BARS K500'S
28	1	HMG-1042	MOTOR, HONDA, GX35NT, 500'S
29	1	P500-003-001	BRACKET, SWITCH, K500'S
30	2	FSP-3084	SCREW, PHILLIPS PAN HEAD MACHINE, 10-32 X 1/2, ZINC
31	1	FNK-3098	NUT, KNURLED, RIVET, 10-24
32	1	FSP-3081	SCREW, PHILLIPS PAN HEAD MACHINE, 10-24 X 3/4, ZINC
33	2	AP500-A02	BASE, HANDLEBAR, K500'S
34	4	FSS-3132	SCREW, SOCKET HEAD, M6-1 X 25MM, BLACK OXIDE
35	1	P500-003-002	PLATE, ADPTR, MTR MTNG, K500'S
36	4	HCL-5009	CLIP, HANDLE BARS, 500 SERIES
37	1	AP500-B02	THROTTLE CABLE, K500'S
38	1	P500-B02-005	TRIGGER, THROTTLE, K500
39	1	AP501-001	GEAR BOX ASSEMBLY, K501
40	1	AP500-003	KILL SWITCH ASSEMBLY