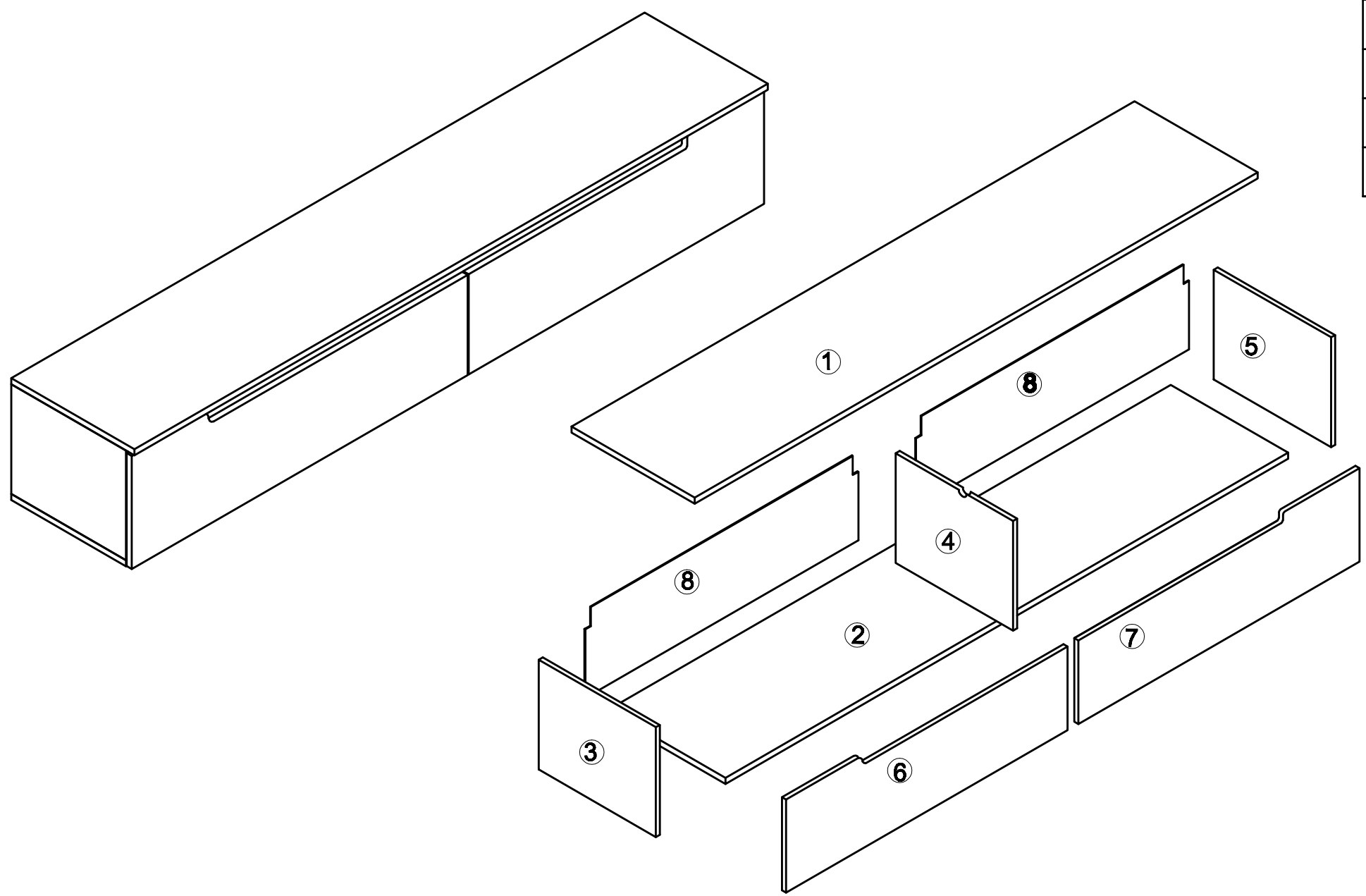


FTV009W-180

NO.	SIZE	QTY	CTN
①	1800*350*15	1	FTV009W-180
②	1800*333*15	1	FTV009W-180
③	270*333*15	1	FTV009W-180
④	270*333*15	1	FTV009W-180
⑤	270*333*15	1	FTV009W-180
⑥	897*282*15	1	FTV009W-180
⑦	897*282*15	1	FTV009W-180
⑧	884.5*280*3	2	FTV009W-180

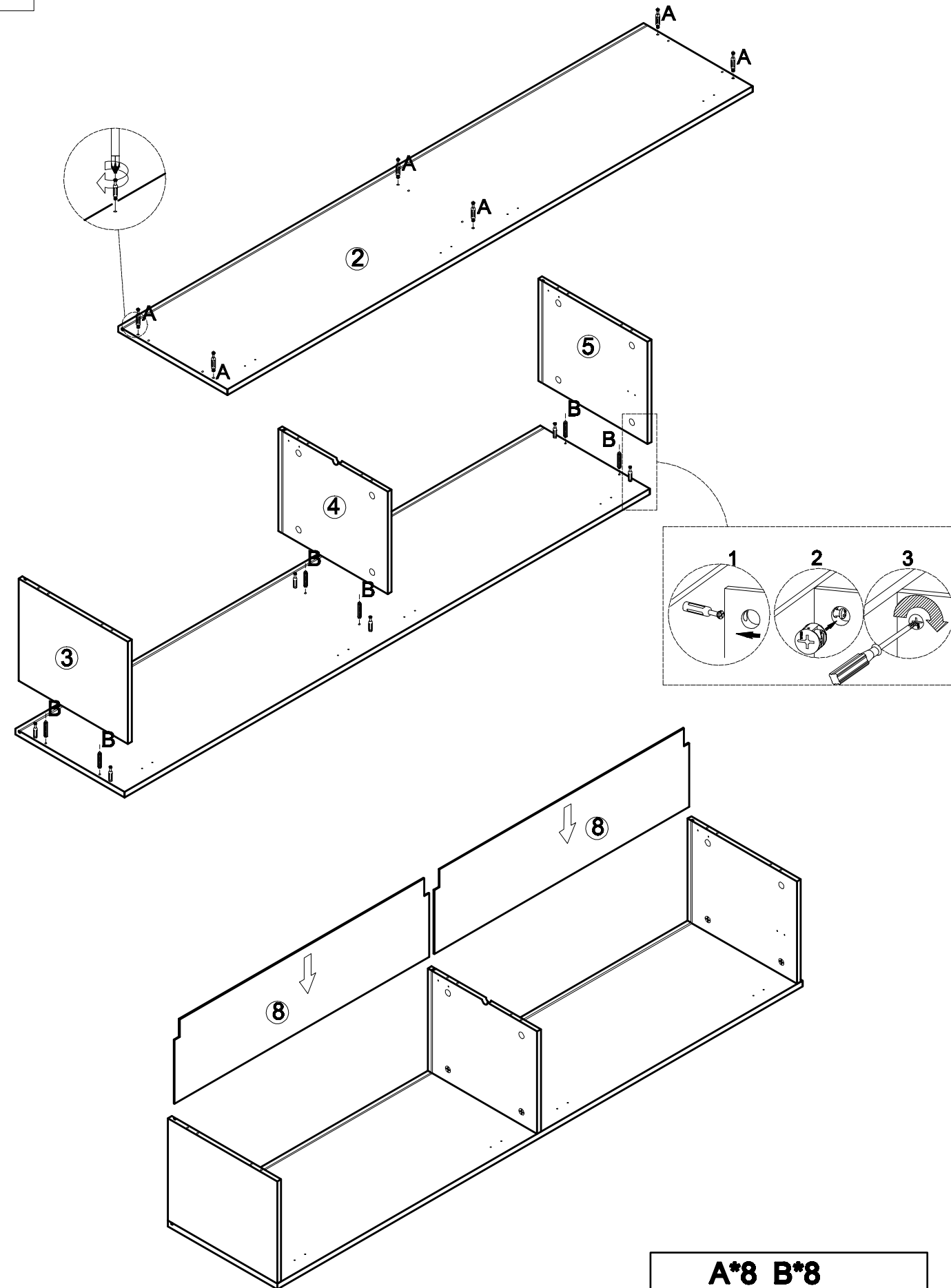


M		12PCS
L		1500mm 1SET

J		20mm 5PCS
K		4SETS

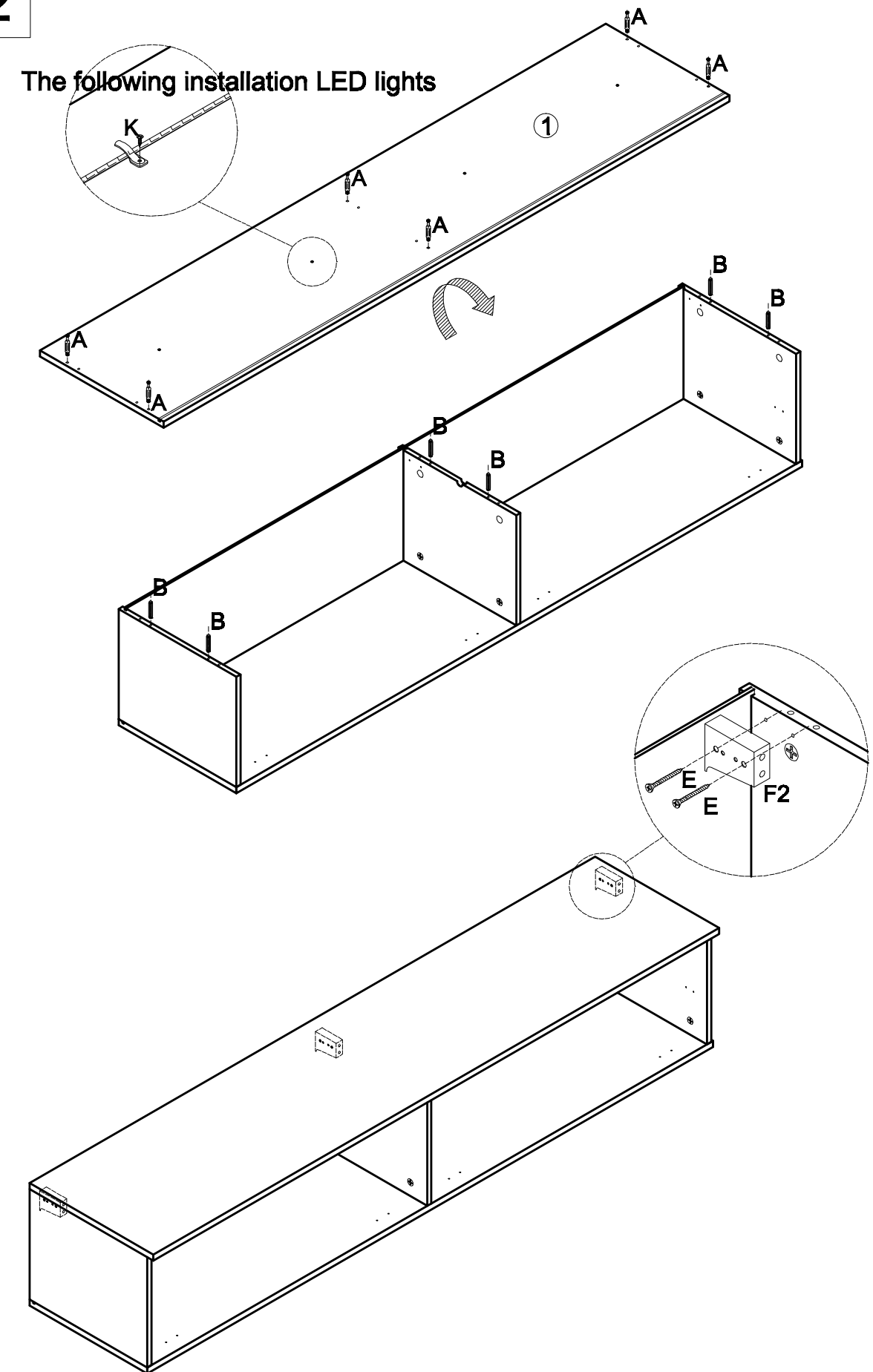
A		12PCS
B	8*40mm 	12PCS
C	3.5*14mm 	34PCS
D	3.5*25mm 	10PCS
E	3.5*30mm 	6PCS
F		3SETS
G		4PCS
H	8*60mm 	6SETS
I		2PCS

1



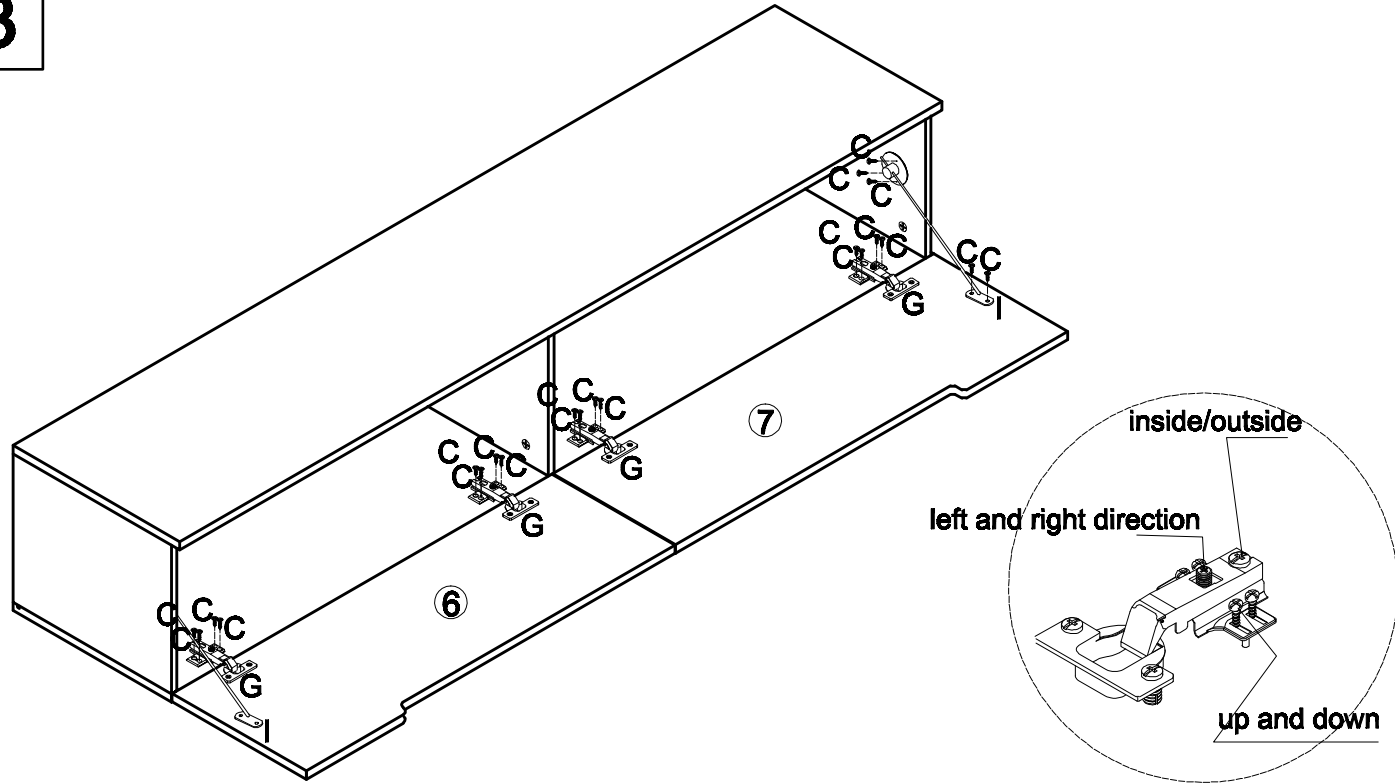
A*8 B*8

2



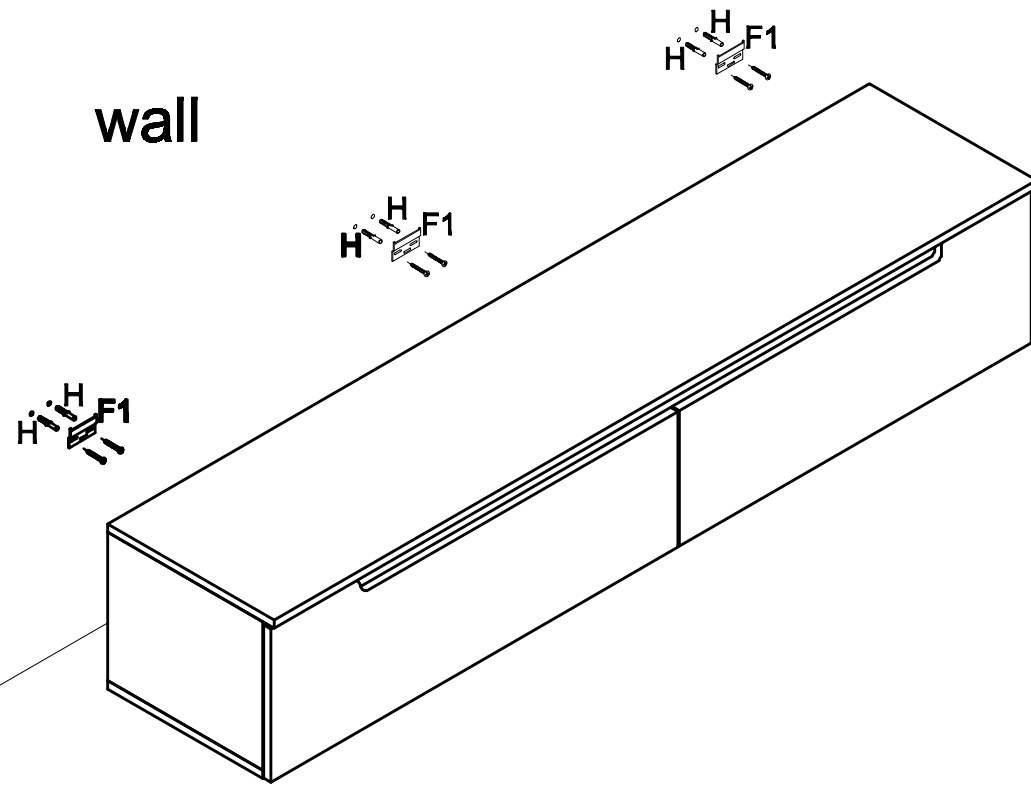
A*6 B*6 E*6 F2*3 K*4

3



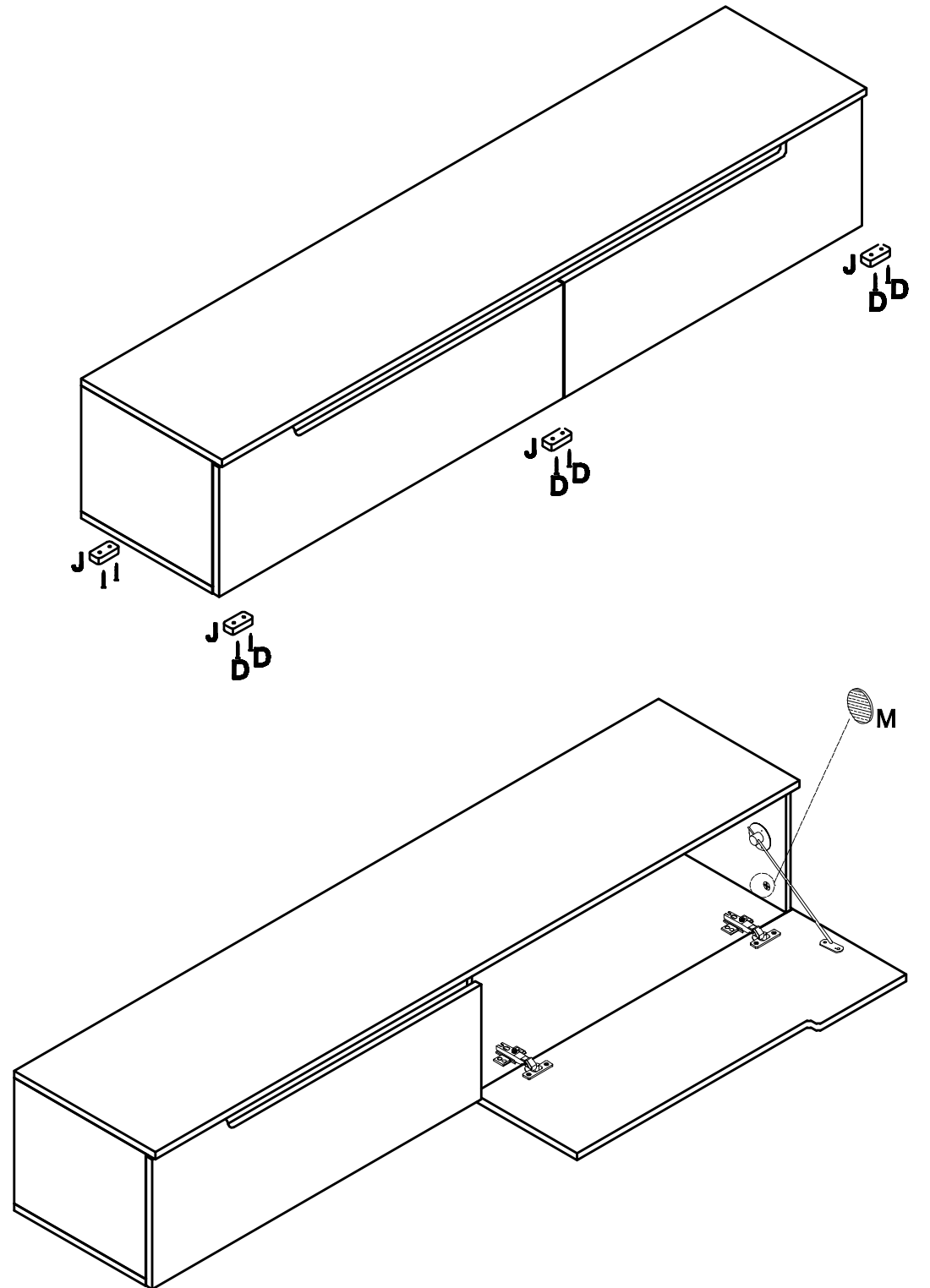
C*34 G*4 I*2

4



F1*3 H*6

5



D*10 J*5 M*12