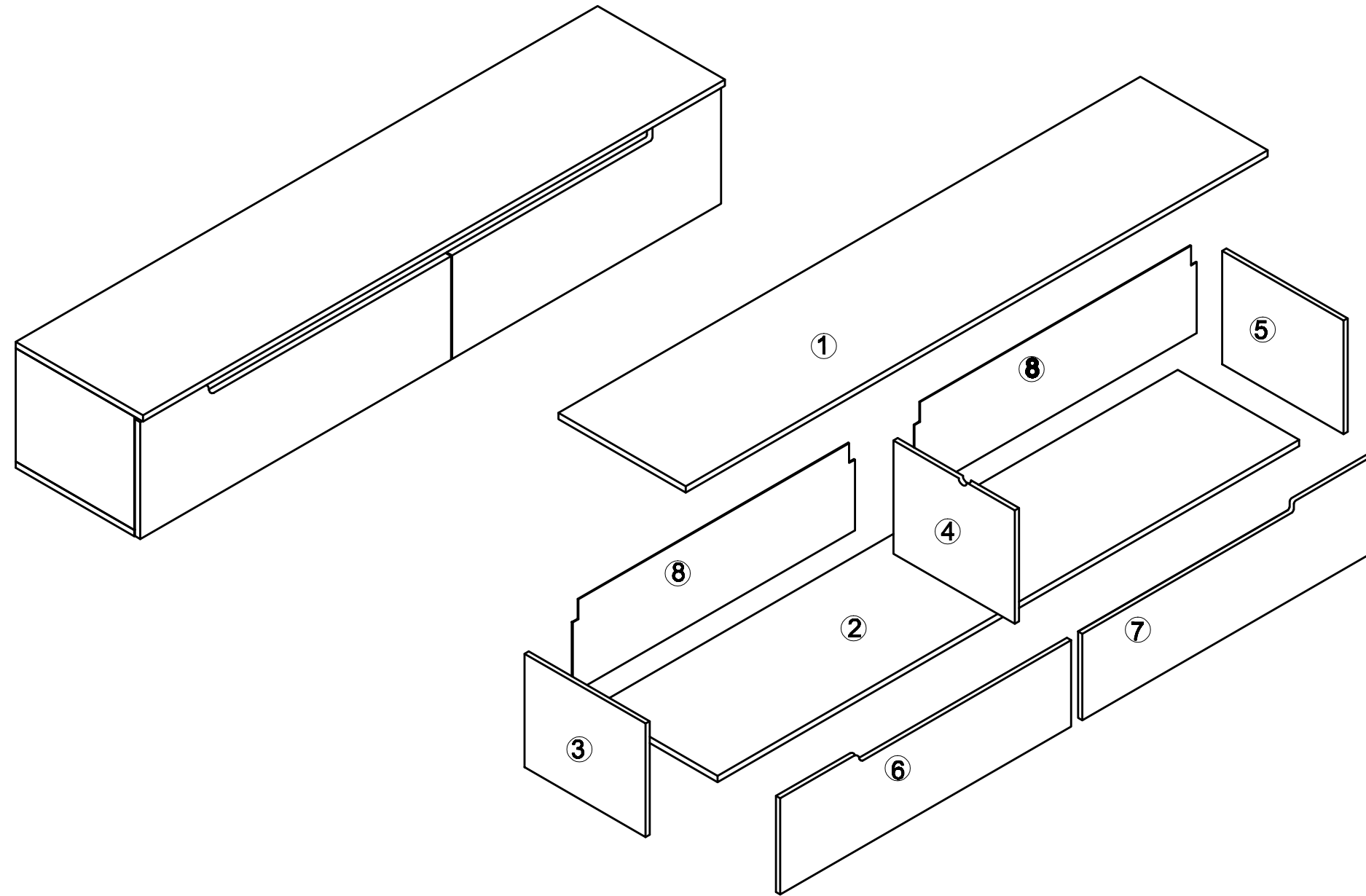


FTV009W-160

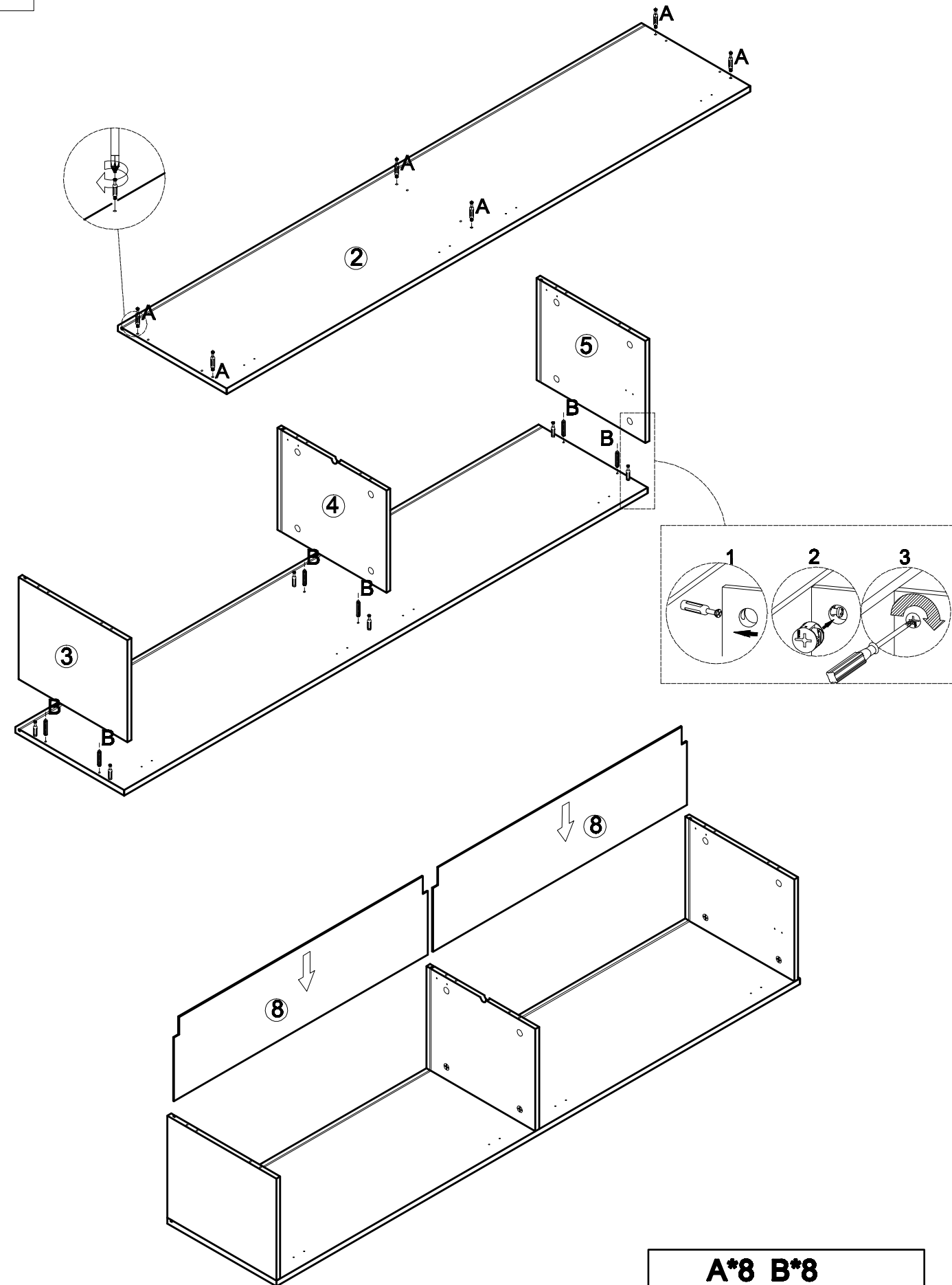


NO.	SIZE	QTY	CTN
①	1600*350*15	1	FTV009W-160
②	1600*333*15	1	FTV009W-160
③	270*333*15	1	FTV009W-160
④	270*333*15	1	FTV009W-160
⑤	270*333*15	1	FTV009W-160
⑥	797*282*15	1	FTV009W-160
⑦	797*282*15	1	FTV009W-160
⑧	784.5*280*3	2	FTV009W-160

M		12PCS	L 1500mm		1SET
J		5PCS	K		4SETS

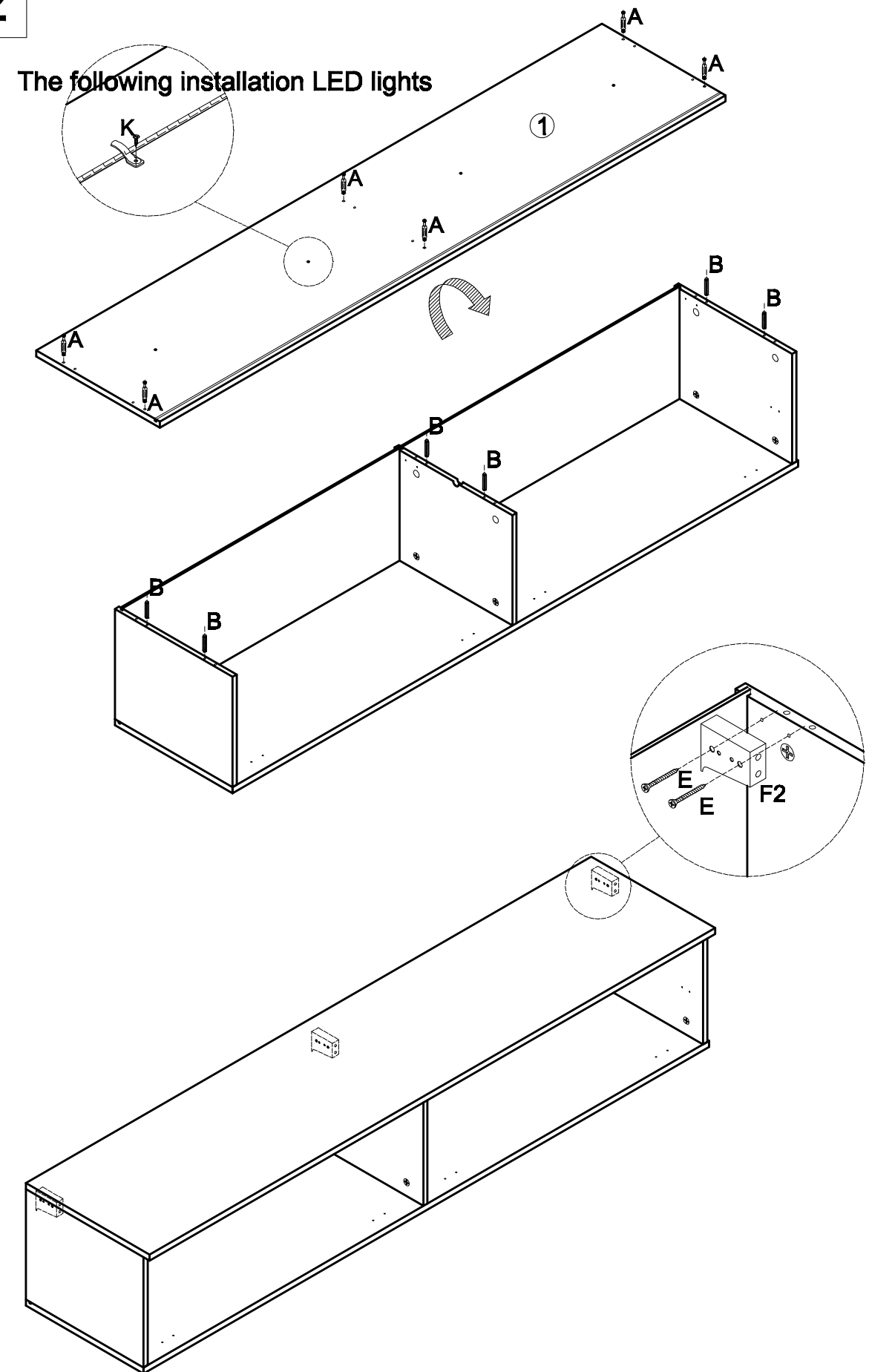
A		12PCS	B 8*40mm		12PCS	C 3.5*14mm		34PCS	D 3.5*25mm		10PCS	E 3.5*30mm		6PCS	F		3SETS	G		4PCS	H 8*60mm		6SETS	I		2PCS
---	--	-------	----------	--	-------	------------	--	-------	------------	--	-------	------------	--	------	---	--	-------	---	--	------	----------	--	-------	---	--	------

1



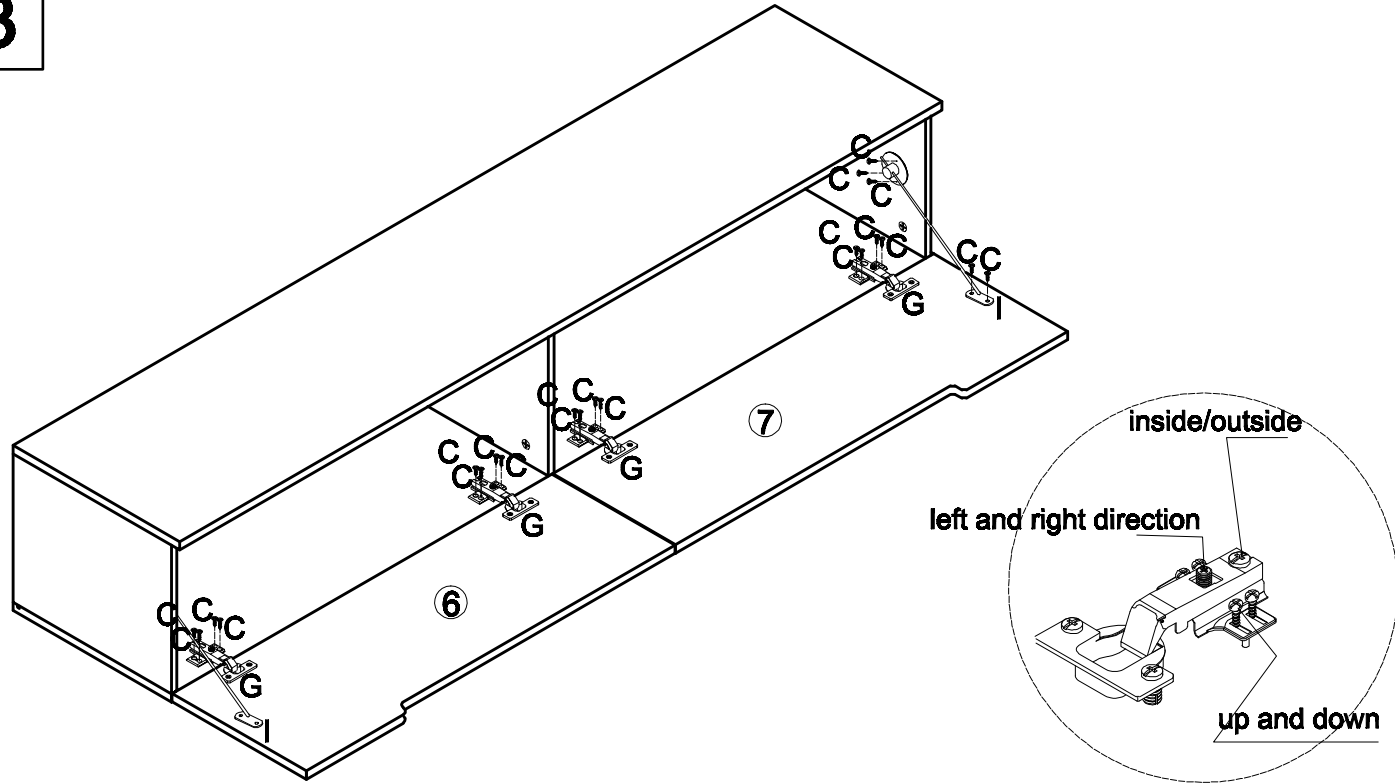
A*8 B*8

2



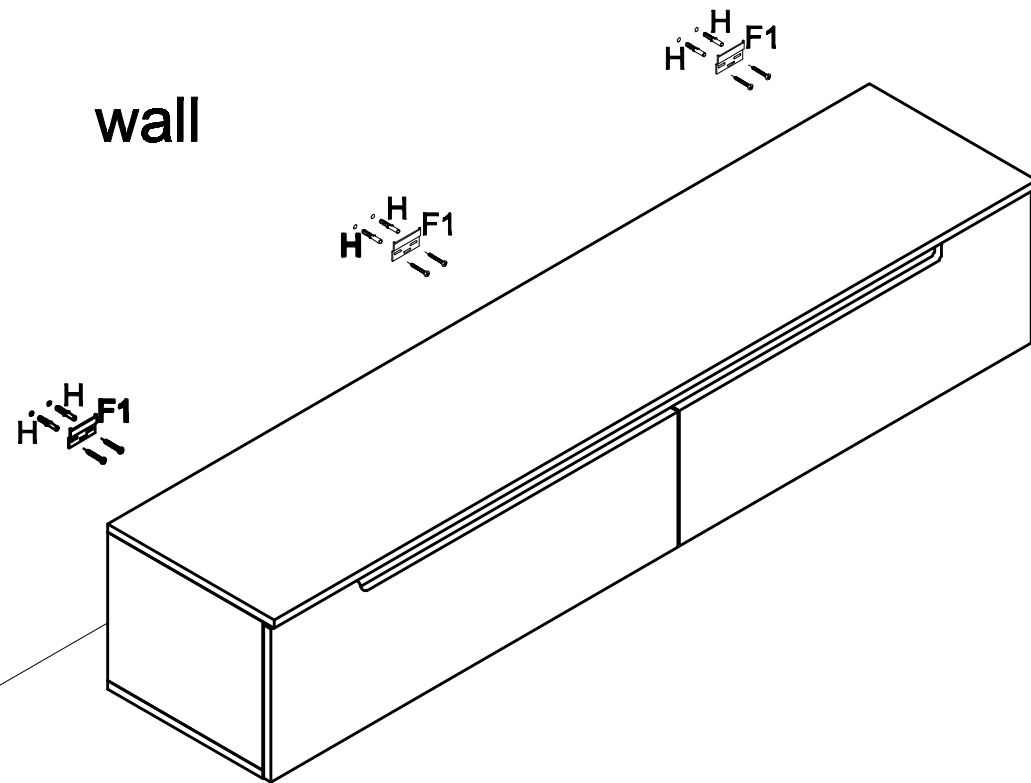
A*6 B*6 E*6 F2*3 K*4

3



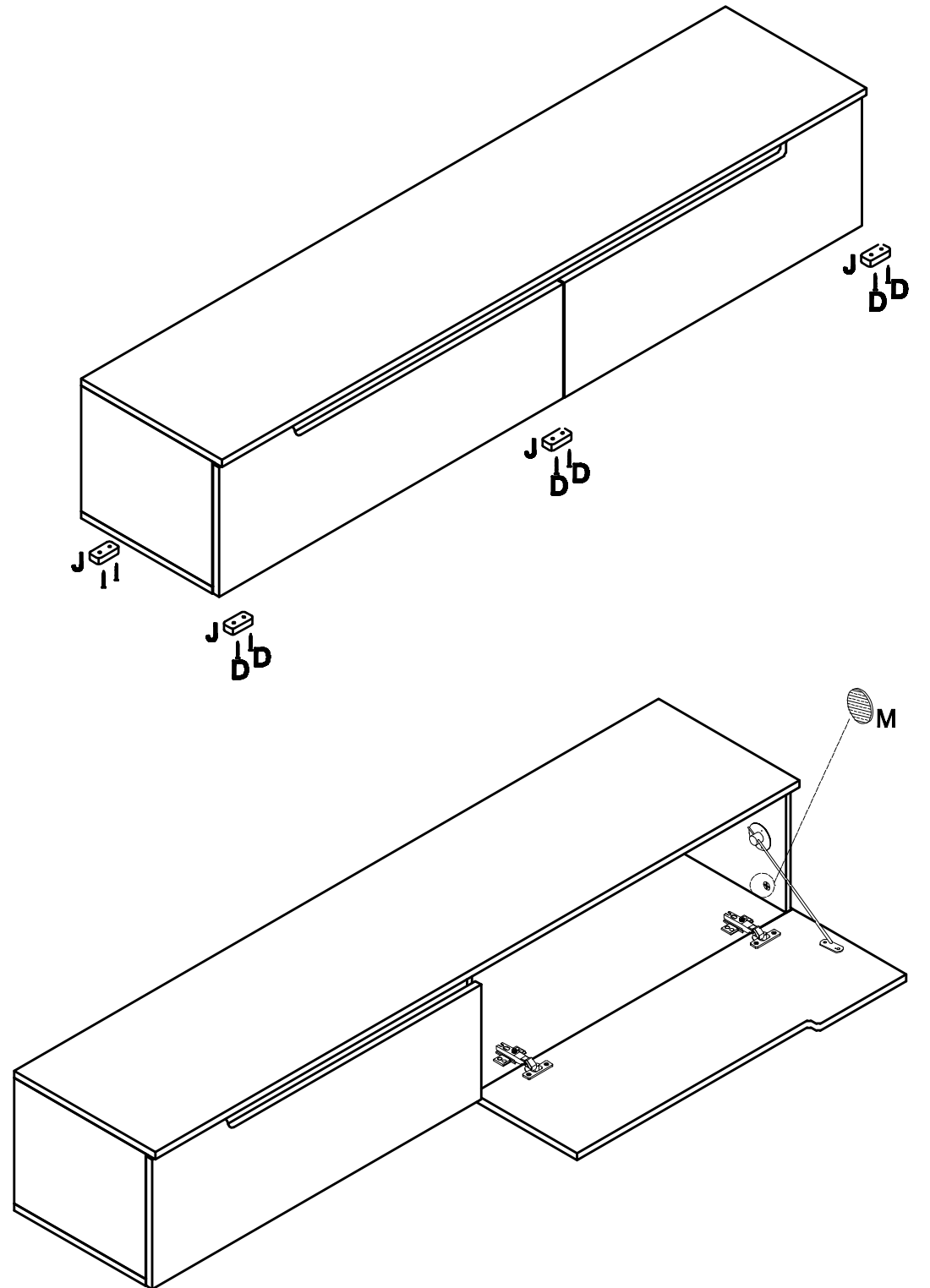
C*34 G*4 I*2

4



F1*3 H*6

5



D*10 J*5 M*12