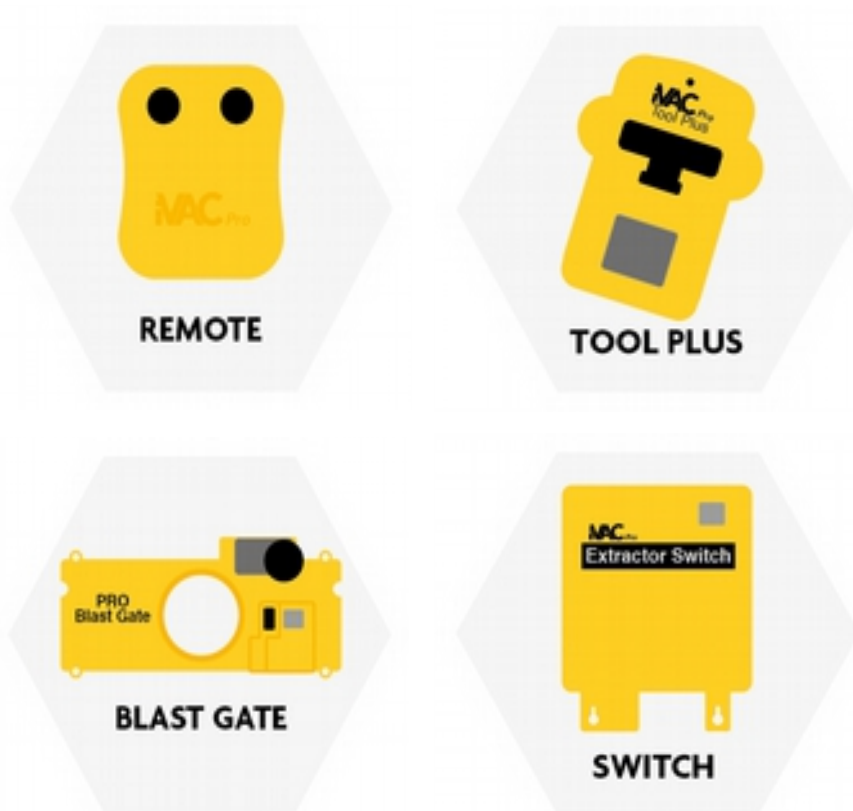


iVAC Pro

WIRELESS SYSTEM

QUICK START

The iVAC Pro System is comprised of 4 wireless components.



These components are integrated together to form a Pro System.

Each of these 4 iVAC components is supplied with a specific handbook that provides comprehensive information to the user and installer.

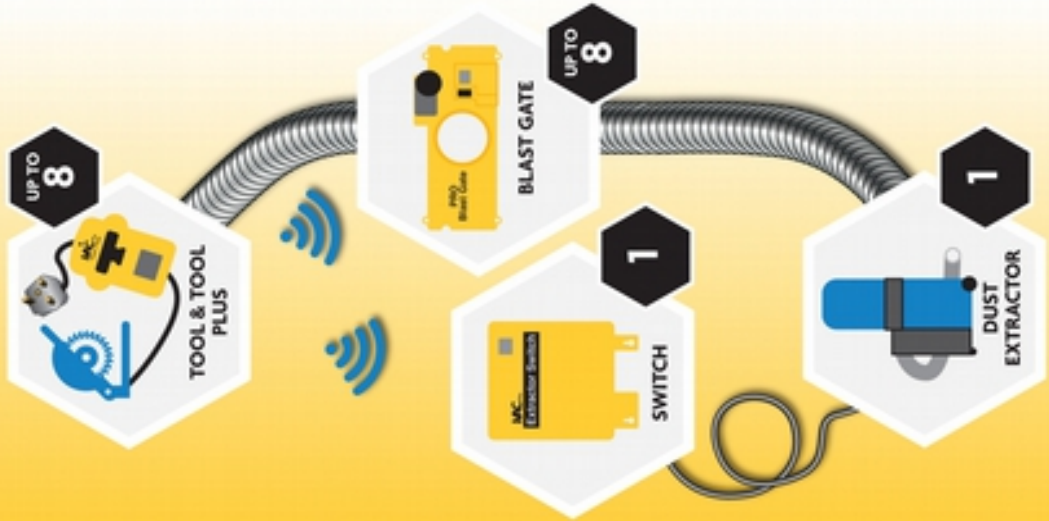
This QUICK START guide supports the individual handbooks and aids the installer when installing and setting up a Pro System in preparation for use.

iVAC recommend that you layout your Pro System components on a bench, configure and test the system before installing the components to their final locations. This ensures correct operation.

UP TO 4 iVAC PRO SYSTEMS
in one building



FULLY AUTOMATIC
Control of your
WHOLE Extraction
System



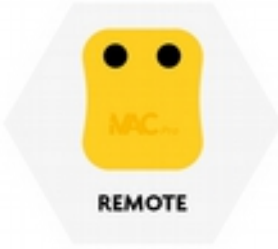







AUTOMATIC REMOTE
Control of your
Extractor







MANUAL REMOTE
Control of your
Extractor




Overview of the wireless components :

 REMOTE Page 5	 TOOL PLUS Page 6	 BLAST GATE Page 6	 SWITCH Page 5
			
1 or more required for each Blast Gate and / or Extractor	1 required for each power tool (maximum of 8 per Pro System)	1 required for each power tool (maximum of 8 per Pro System)	1 required for each Pro System / Extractor

Each of these Pro System components has 6 program switches (known as DIP switches) which need to be set (programmed) for your Pro System components to communicate correctly and operate as you require.

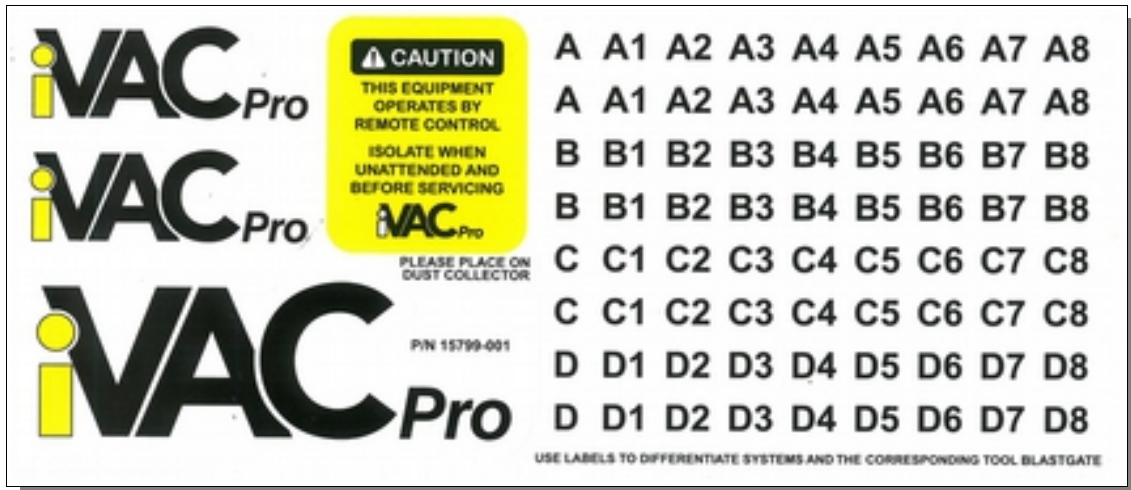
REMOTE	TOOL PLUS	BLAST GATE	SWITCH
 Access from rear <i>PH1 screwdriver required</i>	 Access from front <i>behind dust cover</i>	 Access from front <i>behind dust cover</i>	 Access from rear <i>PH1 screwdriver required</i>

 MODE SWITCH	Select your choice of operating mode. 3 position rocker switch on Tool Plus, Switch & Blast Gate. Set all to AUTO for a fully automatic Pro System	Always set to OFF when programming the component (DIP switches) <i>Otherwise changes will not be effective</i>
---	---	---

Configuration – Pro System Programming

Once you have configured your Pro System components, you can apply the labels from the sheet supplied with the Pro Switch.

Labelling your iVAC components helps you identify them for future reference.

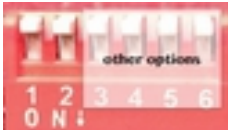


A, B, C & D for your Pro Switch(s) to identify the programmed System ID (address)
A1 - A8, B1 - B8, C1 - C8, D1 - D8, for your Transmitters and Blast Gates
CAUTION goes onto your extractor

Programming your Pro System ID :

All the components of your Pro System must be assigned to the same Pro System ID. This ensures that the components of your Pro System can communicate wirelessly with each other.

Your Pro System ID is set with DIP switches **1 & 2** as follows:

Pro System ID	Detail
A 	Set all your iVAC components to the same System ID. The default (factory) setting is A , you would not normally need to change this. Further options for your Pro System ID are detailed below.
1 - OFF, 2 - OFF	Factory setting (default)

NOTE: You can have more than 1 Pro System in your workshop / building.



This is typically relevant when you have more than one extractor and each of your extractors needs to be controlled independently.

See further information on page 7.

Programming your Pro Switch - Functionality :

Your **Pro Switch** can be configured to your specific needs with DIP switches **3,4,5 & 6** as follows:

*TIP: plan and record your **Pro Switch** settings in the table below, keep for future reference*

DIP switch(s)	Function	Factory setting (all OFF)	Your settings
<p style="text-align: center;">3</p>  <p>Factory setting OFF (default)</p>	'wait until extractor stops'.	'wait until dust collector stops' is disabled	3 =
<p style="text-align: center;">4 5 6</p>  <p>Factory setting OFF (default)</p>	Extractor OFF delay time. & 'minimum run Time'.	OFF delay time is 5 seconds. 'minimum run time' is disabled	4 = 5 = 6 =

The factory (default) configuration (switches 3,4,5 & 6 - OFF) suits most customers.


*Refer to your **Pro Switch** manual for further information.*

Programming your Remote Tool ID :

A **Remote** can be used to operate a **Blast Gate** and a **Pro Switch** (extractor) - either together or separately.

A **Remote** transmits the same instructions to your **Pro Switch** and **Blast Gate** as a **Tool Plus**.

Assign a Tool ID (address) to your **Remote** as follows:

Tool ID (address)	Detail	Note
 <p>Factory setting (default)</p>	Unlike the Tool Plus and Blast Gate , the Remote is assigned to a power tool with DIP switches 3, 4 & 5 – refer to the Remote handbook for details.	(DIP) switch 6 on the Remote is NOT used.

*NOTE: when using the **Remote** to operate only a **Pro Switch** (extractor) DIP switches 3,4,& 5 are not relevant*

Programming your Tool Plus and Blast Gate ID's :

Your Pro System can integrate with up to 8 power tools - each of your power tools will need a **Pro Tool** and a **Blast Gate**.

Each of your Power Tools needs to be allocated a specific Tool ID (address): 1, 2, 3, 4, 5, 6, 7 or 8.

NOTE: plan and record your Power Tool allocations in the table below, keep for future reference

Program the Tool ID (address) to the **Tool Plus** and **Blast Gate** with DIP switches **4,5 & 6** as follows:

Tool ID (address)	Power Tool description / name / location	notes
1  4 - ON, 5 - OFF, 6 - OFF	E.G. Table Saw, Planer, Sander	The 'Blast gate always open' feature functions on this Tool ID only – refer to the blast gate manual for full details.
2  4 - OFF, 5 - ON, 6 - OFF		
3  4 - ON, 5 - ON, 6 - OFF		
4  4 - OFF, 5 - OFF, 6 - ON		
5  4 - ON, 5 - OFF, 6 - ON		
6  4 - OFF, 5 - ON, 6 - ON		
7  4 - ON, 5 - ON, 6 - ON		
8  4 - OFF, 5 - OFF, 6 - OFF		Factory setting (default)
S3  Factory setting (default)	Program (DIP) switch 3 is used for setting the Closure Time Delay for a Blast Gate . OFF = 50 seconds, ON = 2 seconds. Refer to the Blast Gate manual for full details.	Program (DIP) switch 3 is NOT used on the Tool Plus .





Programming your additional Pro System ID's :

You can have more than 1 Pro System in your workshop / building. This is typically relevant when you have more than one extractor and each of your extractors needs to be controlled independently.

Up to **4** Pro Systems (denoted as: **A, B, C or D**) can be used simultaneously in any workshop / building. Providing each Pro System has a different ID they will not interfere with each other.

All the components of each Pro System must be assigned to the same Pro System ID. This ensures that all the components of each Pro System can communicate wirelessly with each other.

Set your Pro System ID's with DIP switches **1 & 2** as follows (also see page 4):

Pro Switch ID (system)	Pro Switch ID (system)	Pro Switch ID (system)	Pro Switch ID (system)
A 	B 	C 	D 
1 - OFF, 2 - OFF Factory setting (default)	1 - ON, 2 - OFF	1 - OFF, 2 - ON	1 - ON, 2 - ON
Your ref:	Your ref:	Your ref:	Your ref:

General Data

Wireless range is 40 feet line of sight. Walls, structure and equipment can reduce this range.

Avoid placing Pro System Components close to metal objects as wireless communications can be interrupted.

The Tool Plus is very sensitive and can be effected by stray magnetic fields, e.g. large motors and electrical equipment. When positioning the Tool Plus ensure it is at least 12 inches away from such equipment.

After pressing the ON button on the Remote, wait at least 5 seconds before pressing the OFF button. The Remote will ignore the OFF button if you press it too soon.

System Reset, your Pro System could be confused by other wireless signals and may not operate correctly. Reset your Pro System components by removing their power for about 5 seconds.

Your notes :

Contact

United Kingdom - Toolovation

www.toolovation.co.uk

ivac@toolovation.co.uk

01531 636819



Canada (head office) - iVAC

www.ivacswitch.com

info@ivacswitch.com

