



# NO FLY ZONE

## Assembly Instructions

The information in this document is subject to change without notice.  
© Copyright The Net Return™ 2007, 2021. All rights reserved.

750603



Read all the warnings before you assemble and use the sports net.



Be sure that you orient your net properly. The Net Return logo always faces the athlete.



Avoid exposing your net to prolonged ultraviolet light as this may fade and/or degrade the sleeve fabric. When not in use, move to a shaded area.



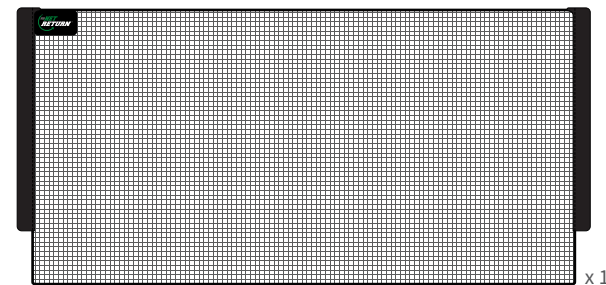
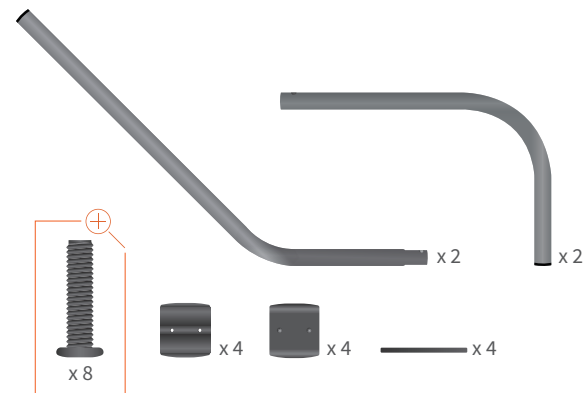
Maintain a safe clearance around and above your net. When orienting your net, consider the surrounding area. Athletes are responsible for injury or damage caused by a mis-hit ball.



Do not hang, kick, cut or climb on your net. Avoid contacting the net with any sporting equipment other than a ball.

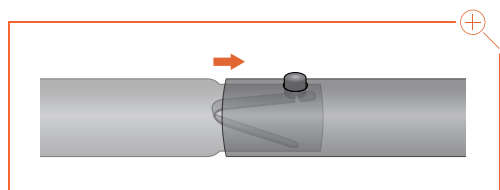
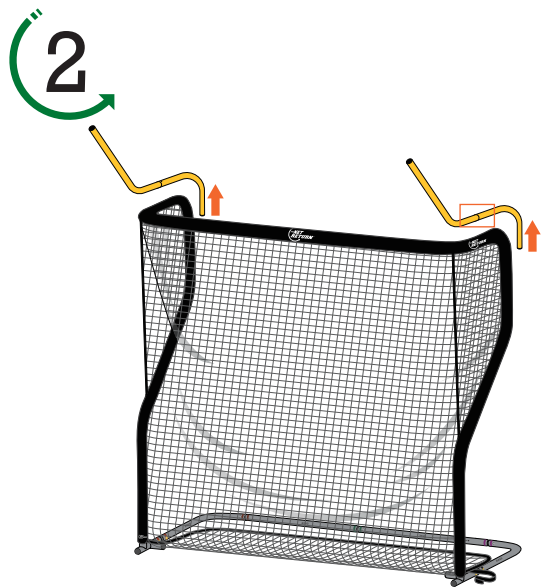


Danger of tipping over! Always weight base with sandbags.

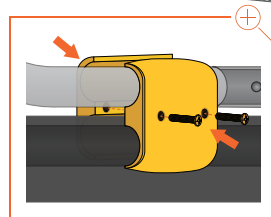
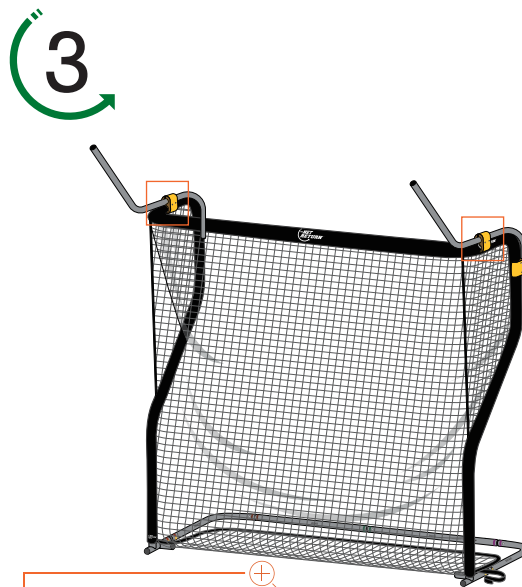


- Lay out the parts as shown.

**NOTE:** Throughout this manual, certain images contain parts that have been colored yellow. This is meant to bring specific attention to a specific step and is not a representation of their actual color.

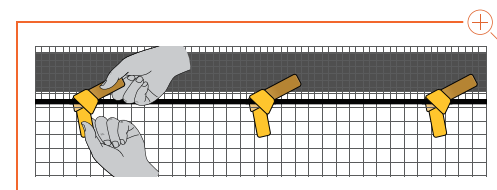


- Locate two of the frames as shown above and fasten together. Repeat with the two remaining frames.
- Note the intended location for these frames on your net.



**TIP:** If it is easier, gently lay your net on its back to complete this step.

- Take two of the plastic frame clamps, one with a logo on the front, and one without. Fit these over the frames in the approximate locations shown. The logo should face out from your net.
- Fasten with a screwdriver.
- Repeat this process with the remaining three clamp locations.



- Carefully slide the net over the two upright frame sections. Take note of the correct location of the logo.
- There are four laces on the bottom of your No Fly Zone net. Carefully tie each of these to your net.
- You have successfully installed the Net Return No Fly Zone.