



## PROJECTOR MOUNT

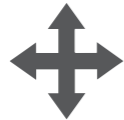
### Assembly Instructions



Read all the warnings before you assemble and use the sports net.



Be sure that you orient your net properly. The Net Return logo always faces the athlete.



Maintain a safe clearance around and above your net. When orienting your net, consider the surrounding area. Athletes are responsible for injury or damage caused by a mis-hit ball.



Do not hang, kick, cut or climb on your net. Avoid contacting the net with any sporting equipment other than a ball.



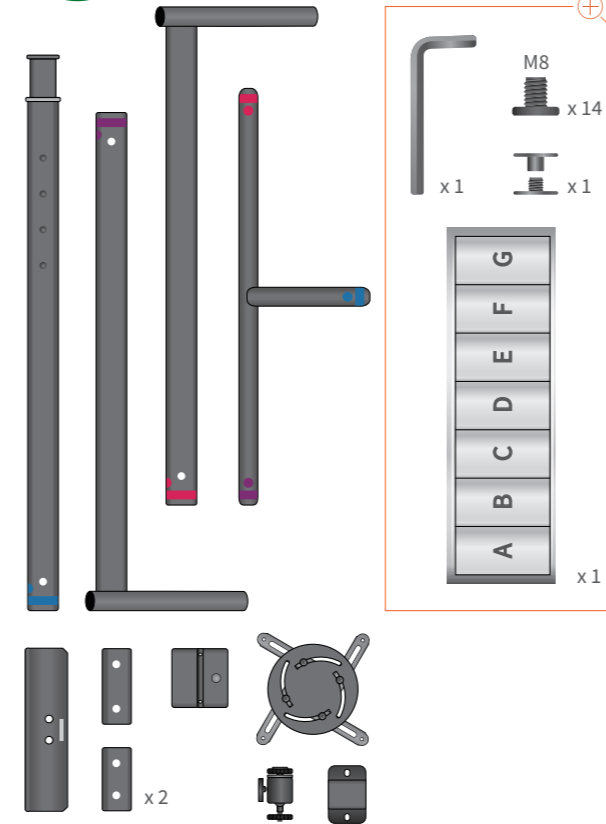
Danger of tipping over! Always weight base with sandbags.



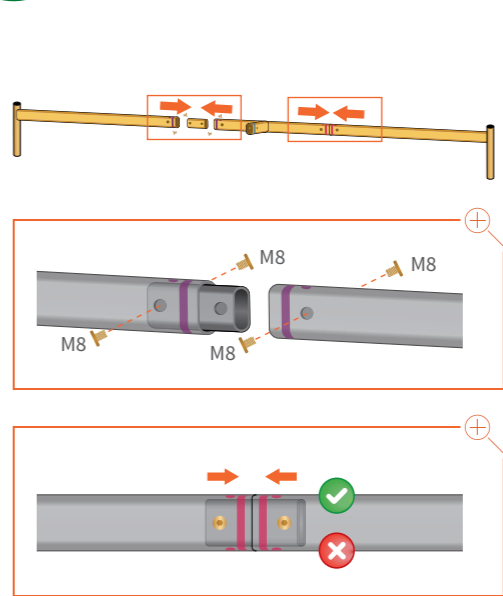
Read all warnings before you assemble and use your Projector Mount Attachment.

- Maximum Projector Weight Capacity: 22 lbs (10 kg).
- Prior to installation of this product, these assembly instructions and the safety instructions specified by the projector manufacture must be read and completely understood. Keep these instructions for future reference.
- This product is intended for indoor use only. Using this product outdoors could lead to product failure and/or serious personal injury.
- Do not use this product for any purpose or in any configuration not explicitly specified in these instructions
- At least two qualified people should perform the assembly procedure. Personal injury and/or property damage can result from dropping or mishandling the projector.
- Do not install near sources of high heat. Do not install on a structure that is prone to vibration, movement, or chance of impact.

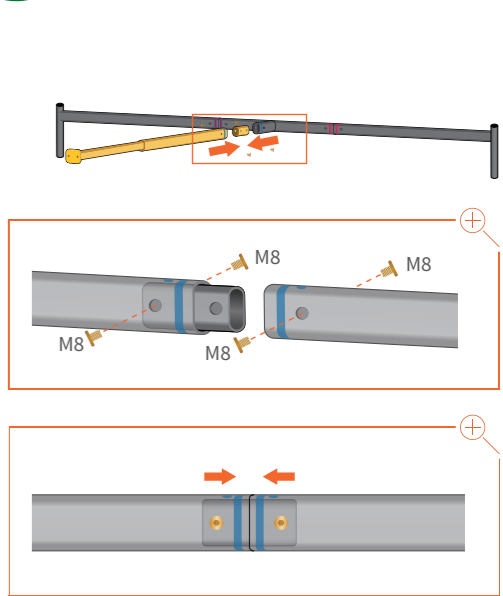
**NOTE:** Throughout this manual, certain images contain parts that have been colored yellow. This is meant to bring attention to a specific step and is not a representation of their actual color.



- Lay out the parts as shown.

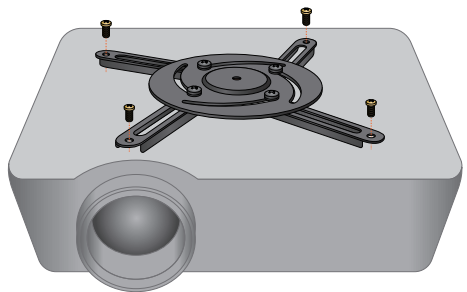


- Locate the tubes labeled with the purple and red stickers and 2 of the aluminum connector pieces.
- Match the frames and connectors together as shown and fasten with the bolts and tools provided. Be sure to orient the frames so that the round dots are facing upwards.



- Next, locate the adjustable tube labeled with the blue sticker and the final aluminum connector piece.
- Match the frames and connectors together as shown and fasten with the bolts and tools provided. Be sure to orient the frames so that the round dots are facing upwards.
- To extend the adjustable tube, carefully push the tab and slide the tube to the desired length.

4

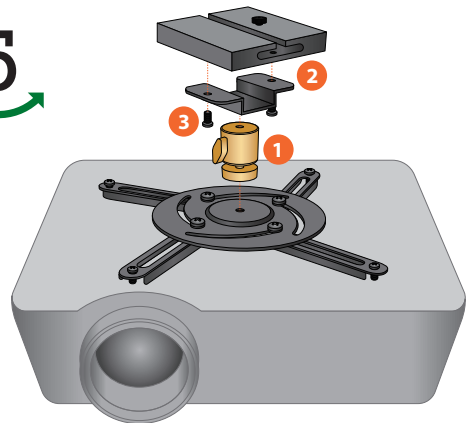


- Locate the mounting hardware labelled A to F. Attach the projector plate with pre-installed legs to your projector using the appropriate corresponding mounting hardware. Note that there are multiple configurations and hardware options that may be used, depending on your projector manufacturer. Any parts that are not compatible can be discarded.

**WARNING:** Only attach to the projector manufacturer's specified mounting points on the projector chassis with a minimum three mounting legs.

**WARNING:** Tighten screws and bolts firmly, but do not over tighten. Over tightening can damage the components and reduce their ability to hold.

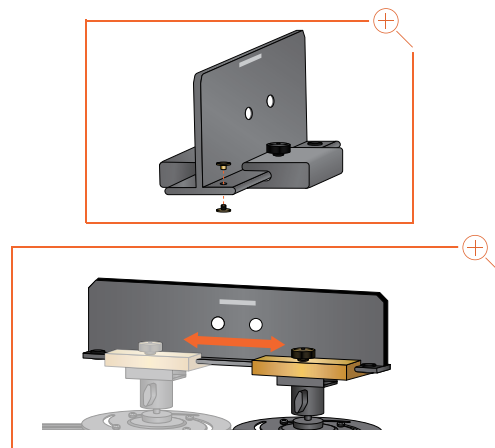
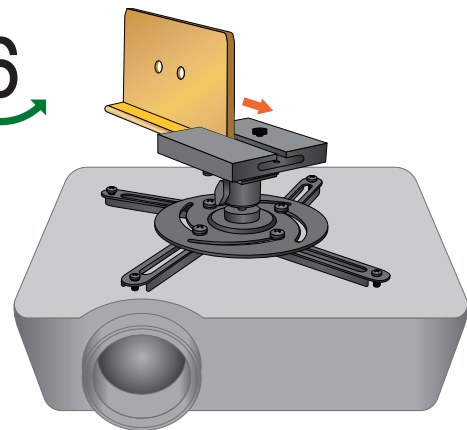
5



- To complete this step, follow this sequence in order.
- First, securely screw the adjustable pivot post (shaded yellow) into the top of the projector plate as shown.
- Then, locate the base of the mounting block. Be sure that it is aligned as shown. Fasten the mount bracket to the base of the mounting block using the hardware labelled G.
- Finally, carefully screw the assembled mount bracket and mounting block into the top of the adjustable pivot post.

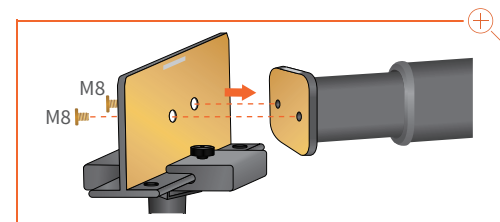
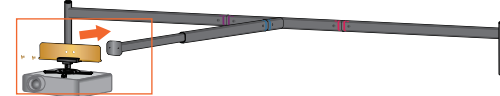
**NOTE:** The knob on the side of the adjustable pivot post should be used to level your projector once it is fully assembled. Before use, ensure that it is tight. DO NOT fully unscrew this knob once the projector is attached.

6



- Slide the mounting block onto the mounting block base and fasten the two small snaps in place as show above.
- Fasten the small locking bolts in place.
- The base the mounting block can be adjusted left and right as necessary by tightening and loosening the nut.

7



- Match the mounting block to the end of the adjustable tube, checking that the stickers are facing upwards and fasten with the bolts and tools provided.

8



- Carefully tilt the frame onto its back to install the projector mount.
- Align mount with the top two uprights of the frame and slide into place.

9



- Carefully tilt the frame back to the upright position.
- Congratulations, you have successfully assembled your Simulator Series Projector Mount.