

Firing Cable Reel

Firing Cable Reel - 100m, 200m, 250m & 500m



The CTS Firing Cable Reel provides a quick deployment capability for military engineering applications, where brown/black twisted pair firing cable is required for the reliable initiation of remote EEDs.

FIRING CABLE REEL - 100M, 200M, 250M, 500M

The Firing Cable Reels comprise of two spun steel discs attached to a self-lubricating composite core. The reel revolves on a steel spindle attached to a steel handle/stand.

The reel features a screw-in friction stop and a free spinning handle. Lengths of 250m and greater are provided on a reel with a plastic side cheek on the exterior of the drum.

The cable provided is twisted black/brown military standard firing cable especially designed for strength, electrical conductivity and concealment.

It can be used as part of the initiation train for a wide range of electrically initiated explosives, or Chemring's range of disruptors.

The firing cable is supplied in lengths of 100m, 200m, 250m or 500m and replacement cable can be supplied on a wooden drum, if required. Other lengths of cable can be supplied on request.

Chemring Technology Solutions Firing Cable is relied upon around the world by NATO and non-NATO military forces, as well as humanitarian and non-governmental agencies.



Firing Cable - 100m, 200m, 250m & 500m

Technical Specification:

The firing cable is twisted black and brown with the free end of firing cable featuring terminals for connection of power cartridge or detonator firing leads etc.

The reel end flying lead is suitable for connection to most electronic exploders

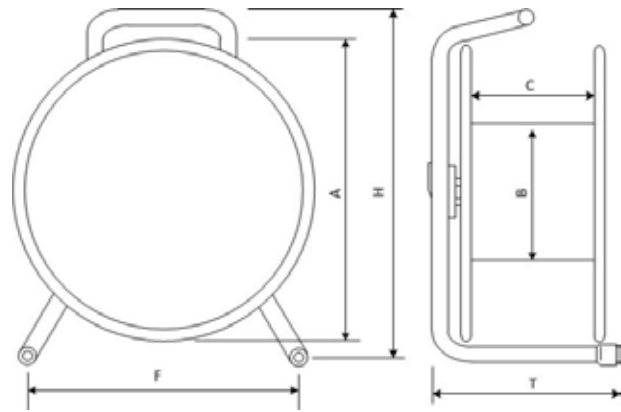
- > The resistance per unit length is approx 26 Ohms/ km
- > Conductor cross section area is approx 0.75mm²
- > Nominal cable (pair) diameter is 4.88mm

The reel comprises steel flanges attached to self lubricating composite core revolving on steel spindle attached to plate and tubular steel frame, fitted with rubber end plugs.

The reel features a screw-in friction brake and free spinning handle.

The reel is sprayed NATO green.

KEY DIMENSIONS



Length	A	B	C	F	H	T
100m/200m	300	130	125	264	360	175
250m	380	178	142	300	450	230
500m	460	178	142	350	550	240



ORDERING INFORMATION

Description	Stock Number	NSN
Firing Cable Reel 100m	800-0235	6145-99-017-3378
Firing Cable Reel 200m	800-0237	6150-99-700-9803
Firing Cable Reel 250m	800-0236	1375-99-958-1715
Firing Cable Reel 500m	800-0234	1375-99-865-2168

Chemring Technology Solutions Ltd

Ordnance House, Blackhill Road, Holton Heath, Dorset, BH16 6LW, UK

T: +44 (0)1202 628155 • F: +44 (0)1202 620182

www.chemringts.com • info@chemringts.com

© Chemring Technology Solutions Limited 2019. All rights reserved. This publication is issued to provide outline information only, which (unless agreed by the company in writing) may not be used, applied or reproduced for any purpose or form part of any order or contract or be regarded as representation relating to the products or services concerned. The company reserves any right to alter without notice the specification, design, or conditions of supply of any product or service. This is a published work the copyright in which vests in Chemring Technology Solutions Limited.