



Technical data sheet MXEvo - One-piece Block





MXEvo is the new generation of one-piece blocks developed by Wichard. Two versions are available: standard captive pin and allen head pin. Each version exists in three sizes.

Main MXEvo features:

- > Dedicated to heavy load applications
- > Impressive working and breaking load limits
- > Captive pin on the standard version
- > Becket function to make tackles
- > Rope kept on track thanks to the fins
- > Optimized weight and dimensions
- > Easy opening – Easy rope installation
- > Two versions existing in three sizes
- > Limited rope wear thanks to the track conception
- > Monobloc item (without mechanical part) for a better reliability
- > For ropes from 8 to 14mm



MXEvo with standard captive pin

Thanks to the leash, this MXEvo version can't loose its pin while opening, manipulating and closing the block. The pin is forged in high-resistant 17.4PH stainless steel.

Applications

- > 2:1 halyard purchase: mainsail, spinnaker, gennaker
- > Flying sail furler terminals: tensioning at the top or from the bottom



MXEvo with allen head pin

The Allen head pin version is recommended for applications that do not need frequent disassemblies. The pin is forged in Duplex stainless steel.

Applications

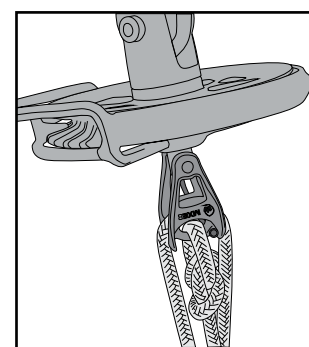
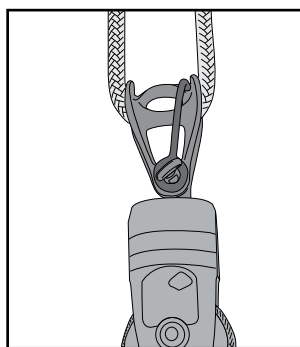
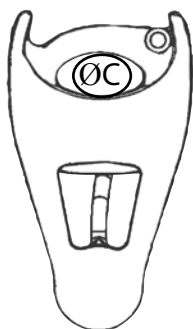
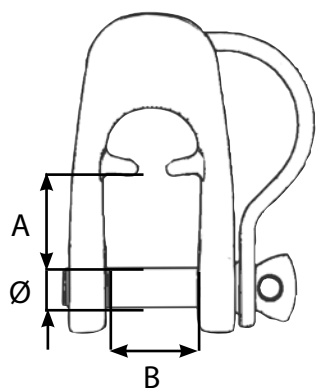
- > Mastfoot block
- > Running backstay





MXEvo: captive pin

Part #	Length mm	Width mm	Ø mm	A mm	B mm	ØC mm	W.L. Kg	B.L. Kg	Weight Kg	Trade price ex VAT
MXEvo DIA 6 mm - captive pin - for max rope size 8 mm										
11603	53	26	6	18	13	7	1040	2300	0,053	32.20
MXEvo DIA 8 mm - captive pin - for max rope size 10 mm										
11604	62	36	8	18	18	9	1760	4100	0,109	41.41
MXEvo DIA 10 mm - captive pin - for max rope size 14 mm										
11605	77	44	10	22	22	11	2640	6000	0,222	53.71



MXEvo: allen head pin

Part #	Length mm	Width mm	Ø mm	A mm	B mm	ØC mm	W.L. Kg	B.L. Kg	Weight Kg	Trade price ex VAT
MXEvo DIA 6 mm - allen head pin - for max rope size 8 mm										
11613	53	26	6	18	13	7	720	1700	0,048	32.20
MXEvo DIA 8 mm - allen head pin - for max rope size 10 mm										
11614	62	36	8	18	18	9	1300	3500	0,100	41.41
MXEvo DIA 10 mm - allen head pin - for max rope size 14 mm										
11615	77	44	10	22	22	11	1760	5000	0,204	53.71

