

# SOJAG

produits saisonniers • seasonal products

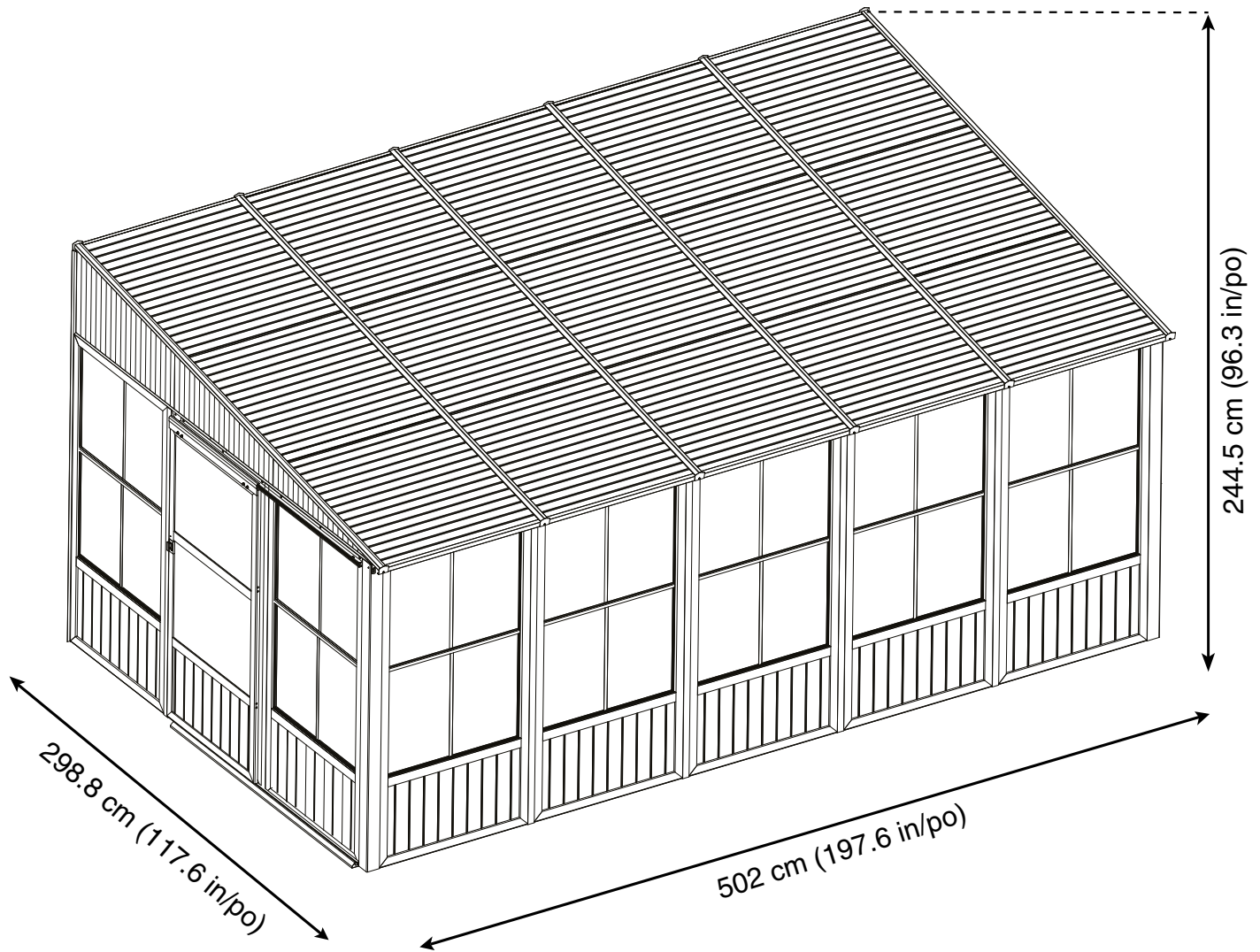


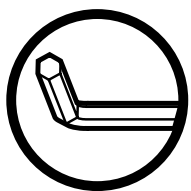
Sojag code: 440-8163032

CUP/UPC code: 772830163032

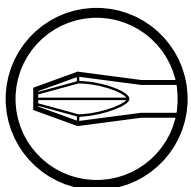
QUESTIONS? 1 866-901-1649

## Assembly Manual / Guide d'assemblage / Manual de ensamblaje / 조립설명서 / Montageanleitung

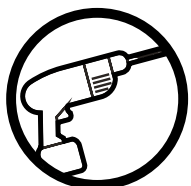




Use the hex keys in the box. / Utilisez les clés hexagonales fournies dans la boîte. / Utilice las llaves hexagonales en la caja. / 상자에 육각 키를 사용 하십시오. / Verwenden Sie die Sechskantschlüssel in der Box.



Please use a Phillips screwdriver. / Utilisez un tournevis de type Phillips / Por favor, use un destornillador Phillips. / 십자 드라이버를 사용 하십시오. / Bitte verwenden Sie einen Kreuzschraubenzieher.



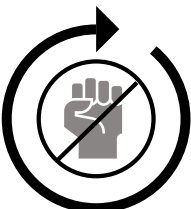
You may need to use a drill for this step. / Vous pouvez avoir besoin d'utiliser une perceuse pour cette étape. / Puede que tenga que utilizar un taladro para este paso. / 이 단계에선 드릴을 사용해야 할 수도 있습니다. / Für diesen Schritt können Sie einen Bohrer verwenden.



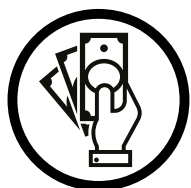
Wearing protective gloves is recommended. / Le port de gants de protection est recommandé / El uso de guantes de protección se recomienda. / 보호 장갑을 착용 하는 것이 좋습니다. / Das Tragen von Schutzhandschuhen wird empfohlen.



Two or more people are required at this stage. / Deux personnes ou plus sont nécessaires à cette étape. / Dos o más personas se requieren en esta etapa. / 이 단계에서는 두 명 이상이 필요합니다. / Für diesen Bauschritt sind 2 oder mehr Personen erforderlich.

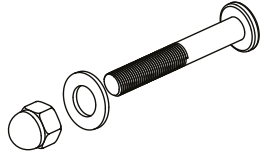


Do not tighten screws all the way for now. / Ne pas visser fermement pour l'instant. / No atornille con firmeza por ahora. / 아직 나사를 단단히 조이지 마십시오. / Bitte die Schrauben zum jetzigen Zeitpunkt noch nicht fest anziehen.

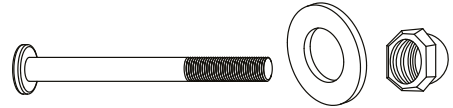


Sold separately. / Vendus séparément. / vendido en las opciones. / 옵션 판매 / Optional erhältlich

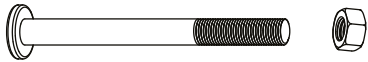
**B6** X 8 (+2)



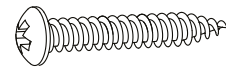
**Ha** X 12 (+2)



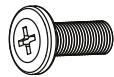
**Hb** X 12 (+2)



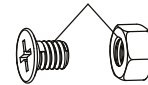
**Hc** X 26 (+4)



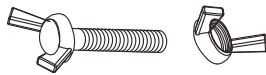
**Hd** X 60 (+6)



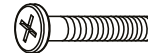
**He** X 20 (+4)



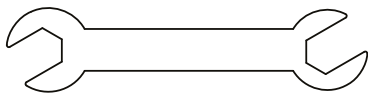
**Hf** X 2 (+1)



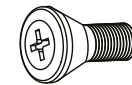
**Hg** X 28 (+4)



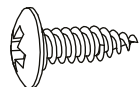
**Hh** X 1

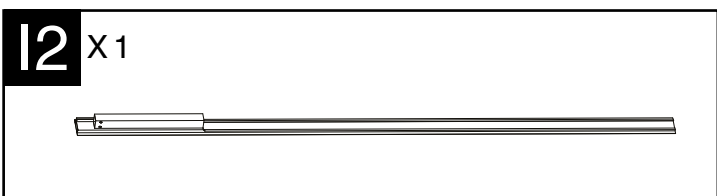
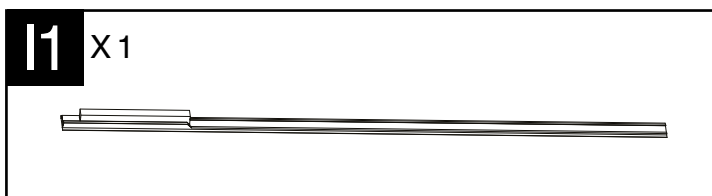
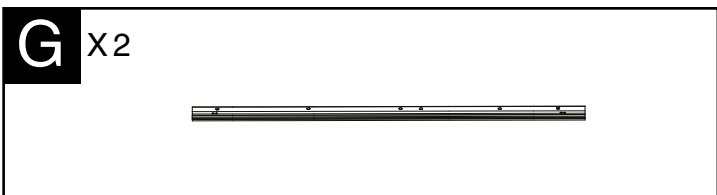
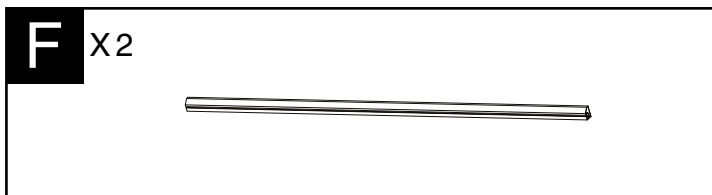
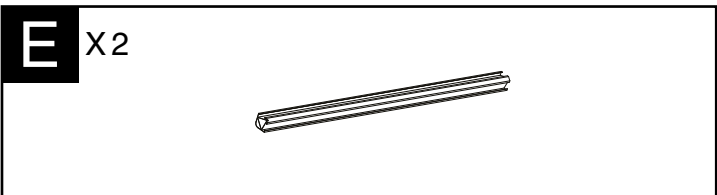
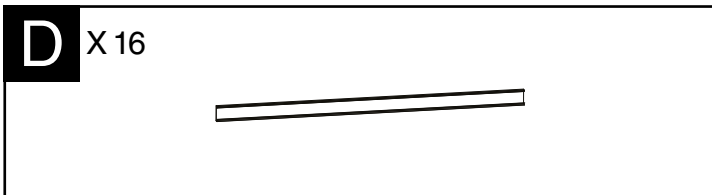
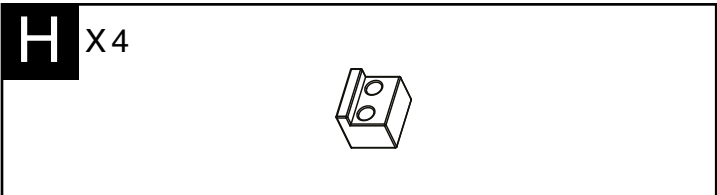
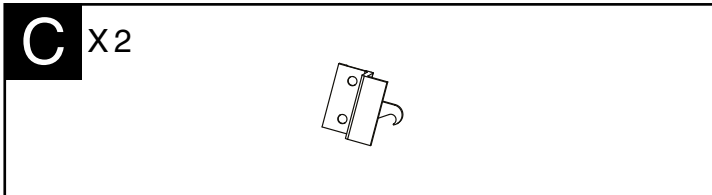
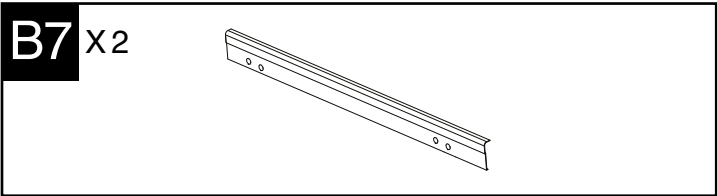
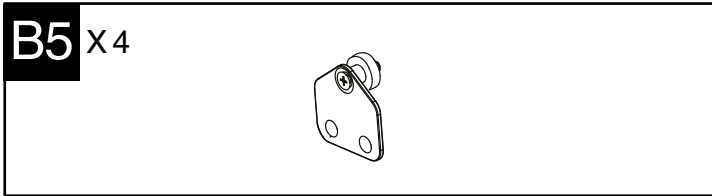
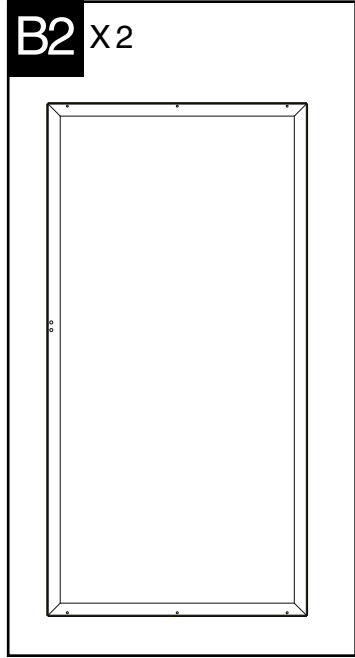
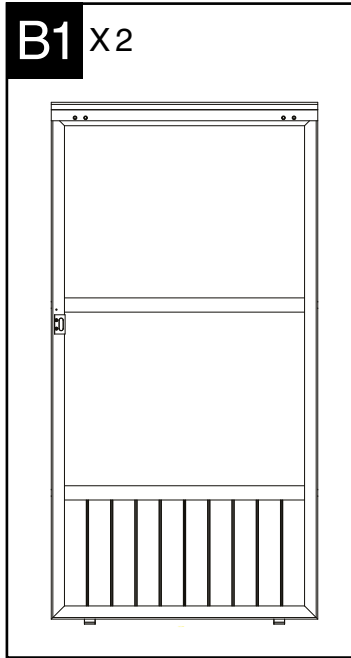
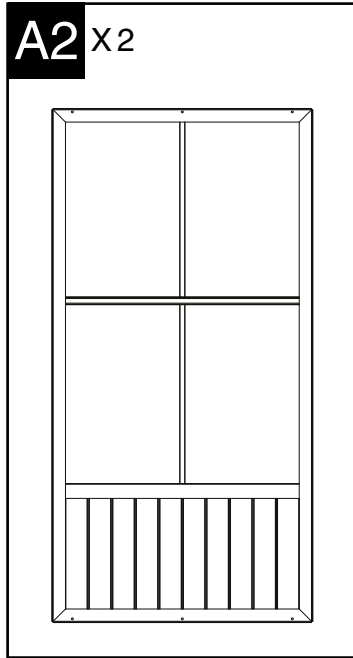
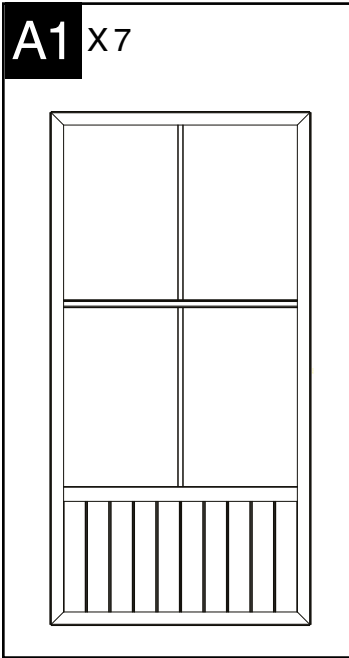


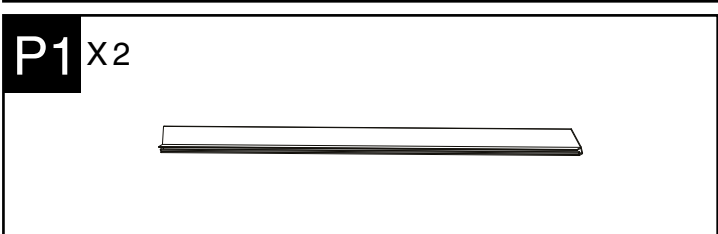
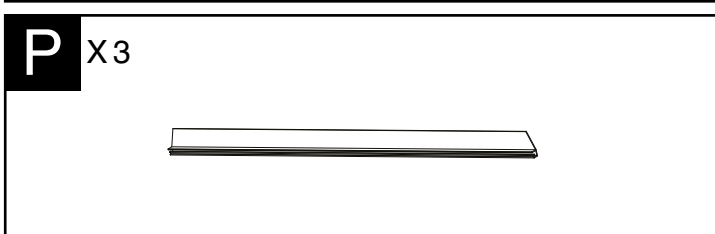
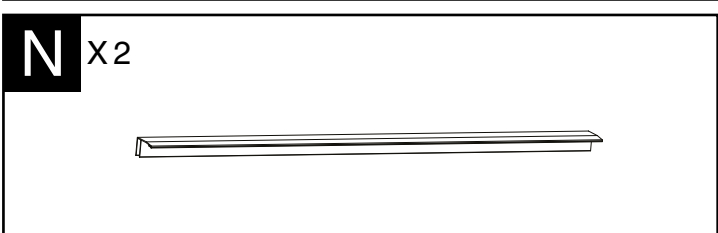
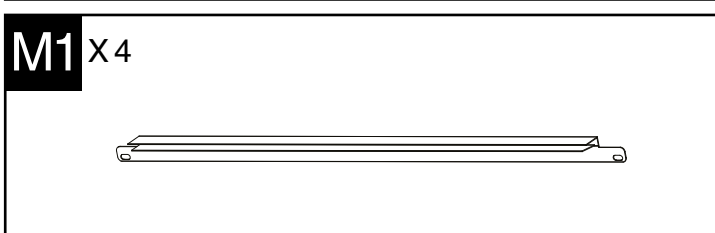
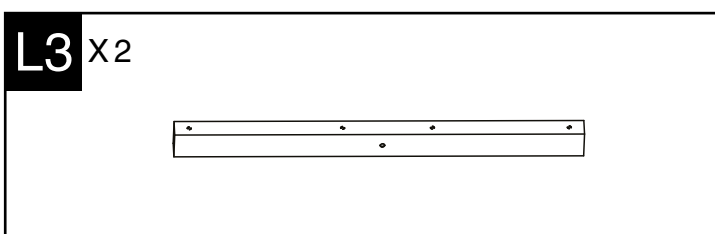
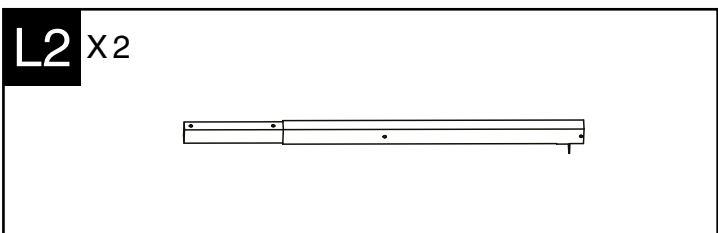
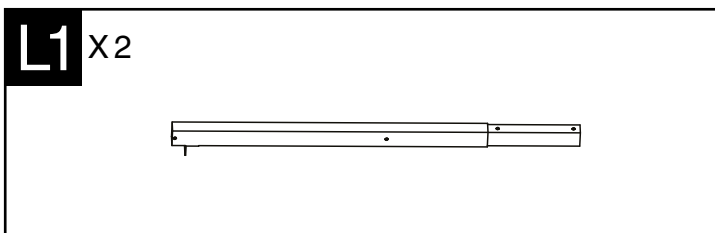
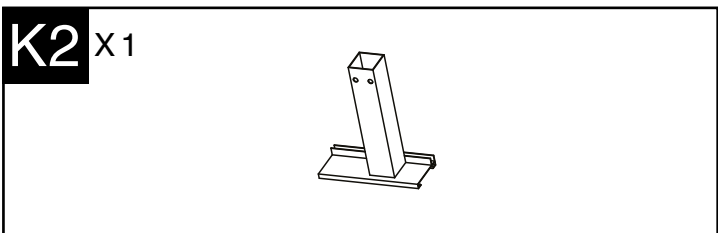
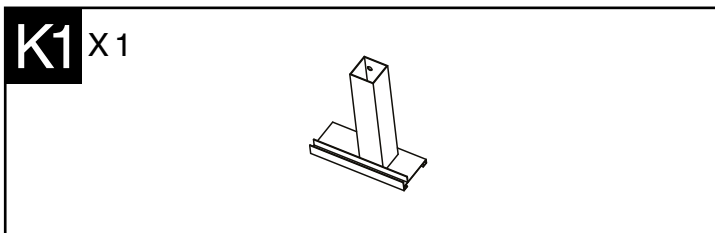
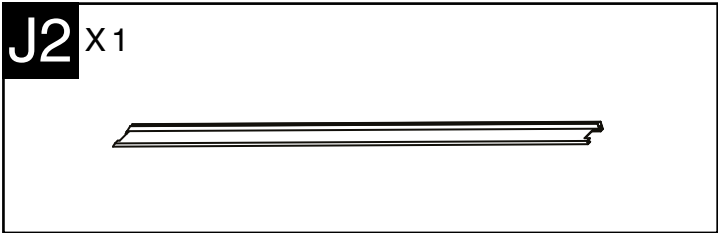
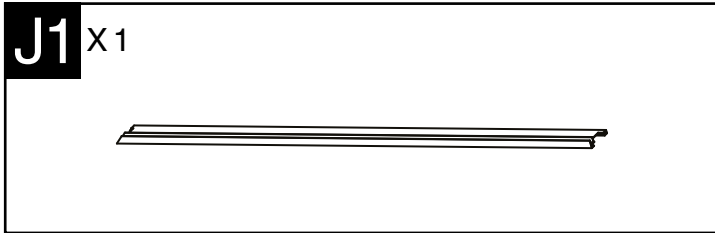
**Hi** X 8 (+2)






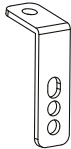
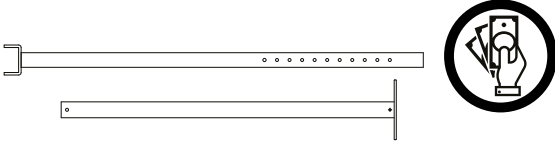
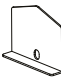
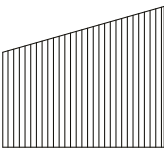
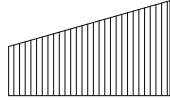

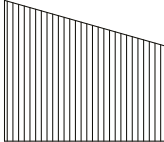
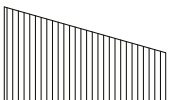

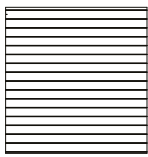
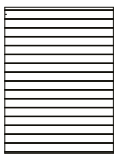


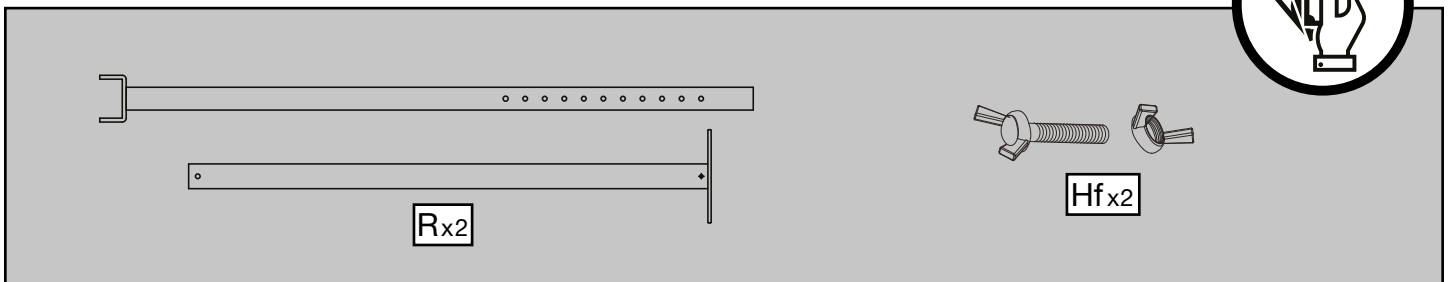
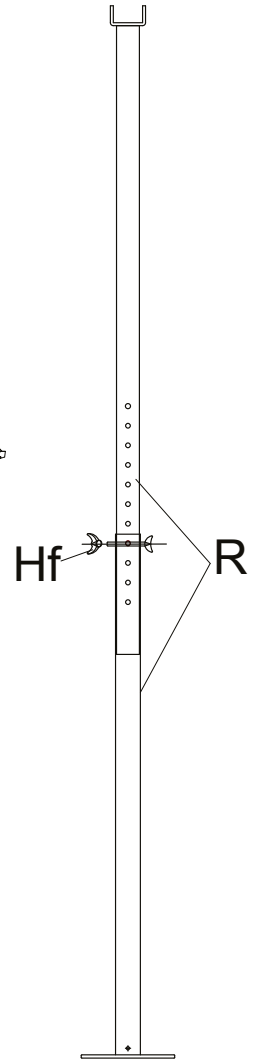
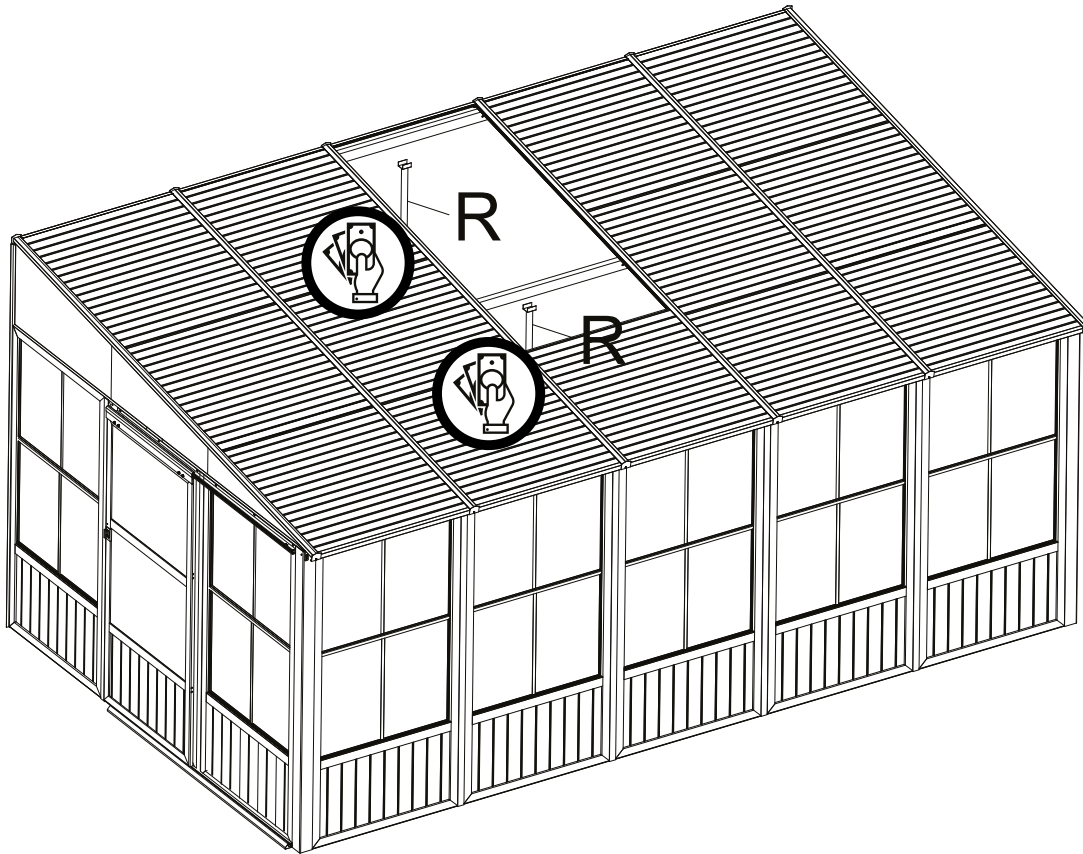
**Hk** X 8 (+1)

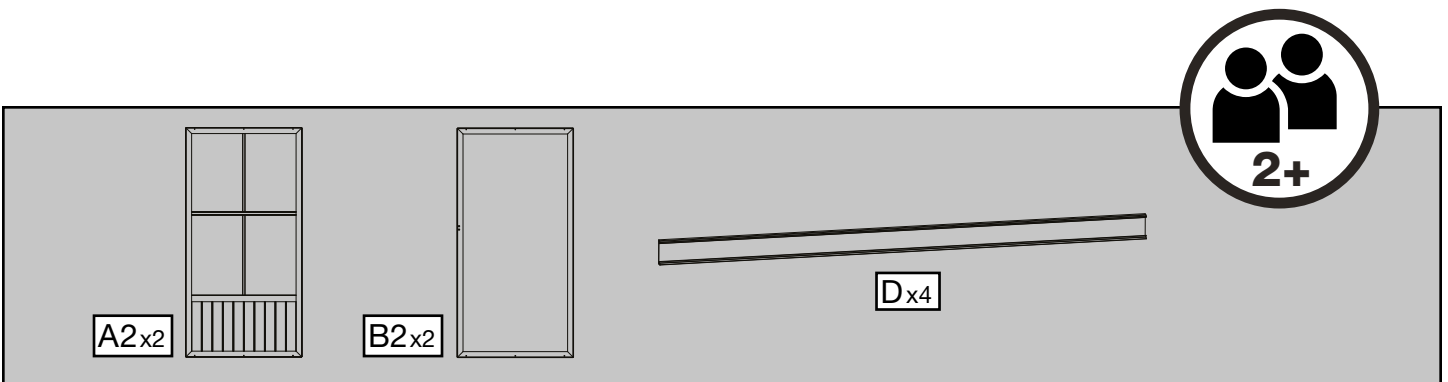
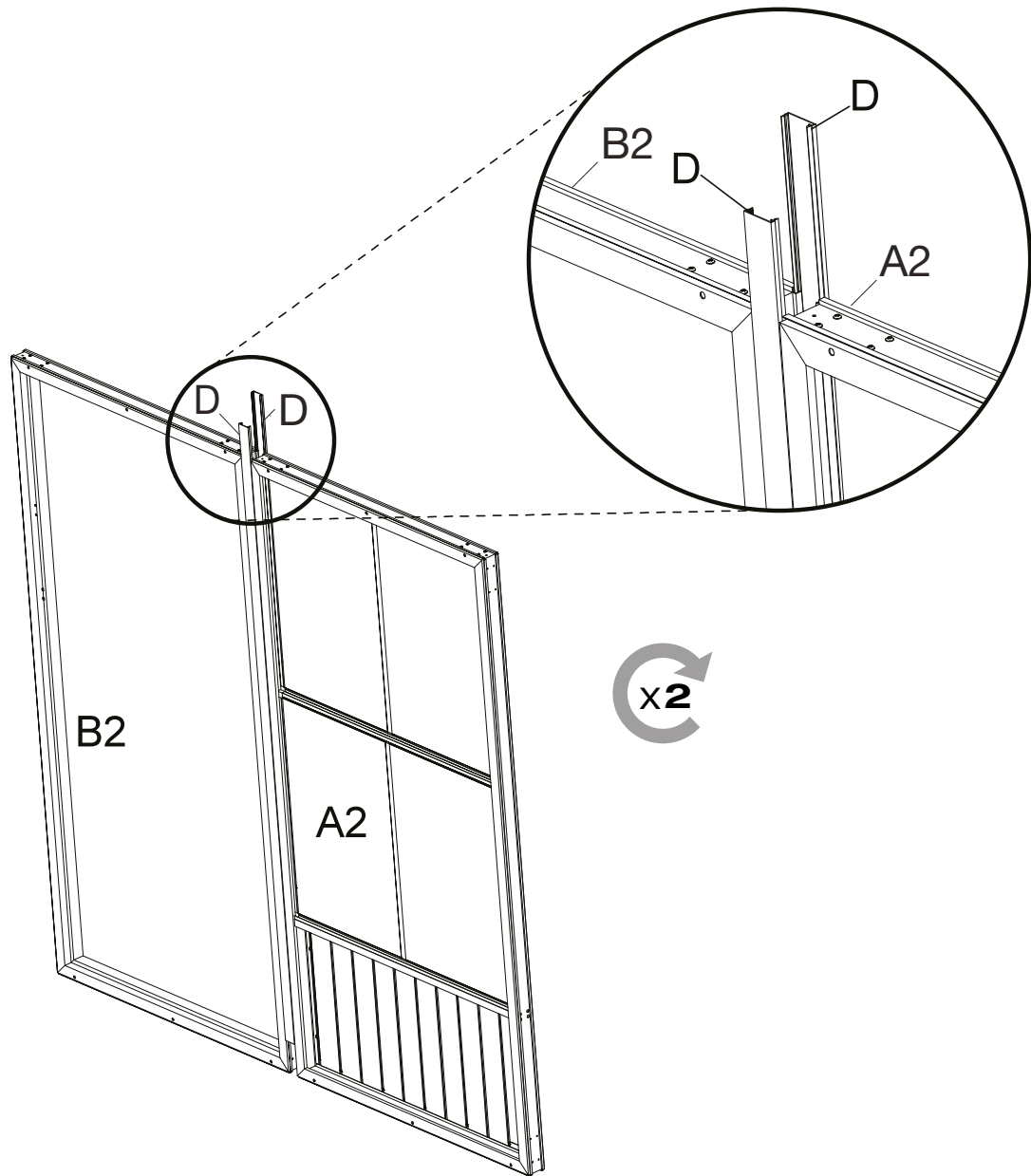




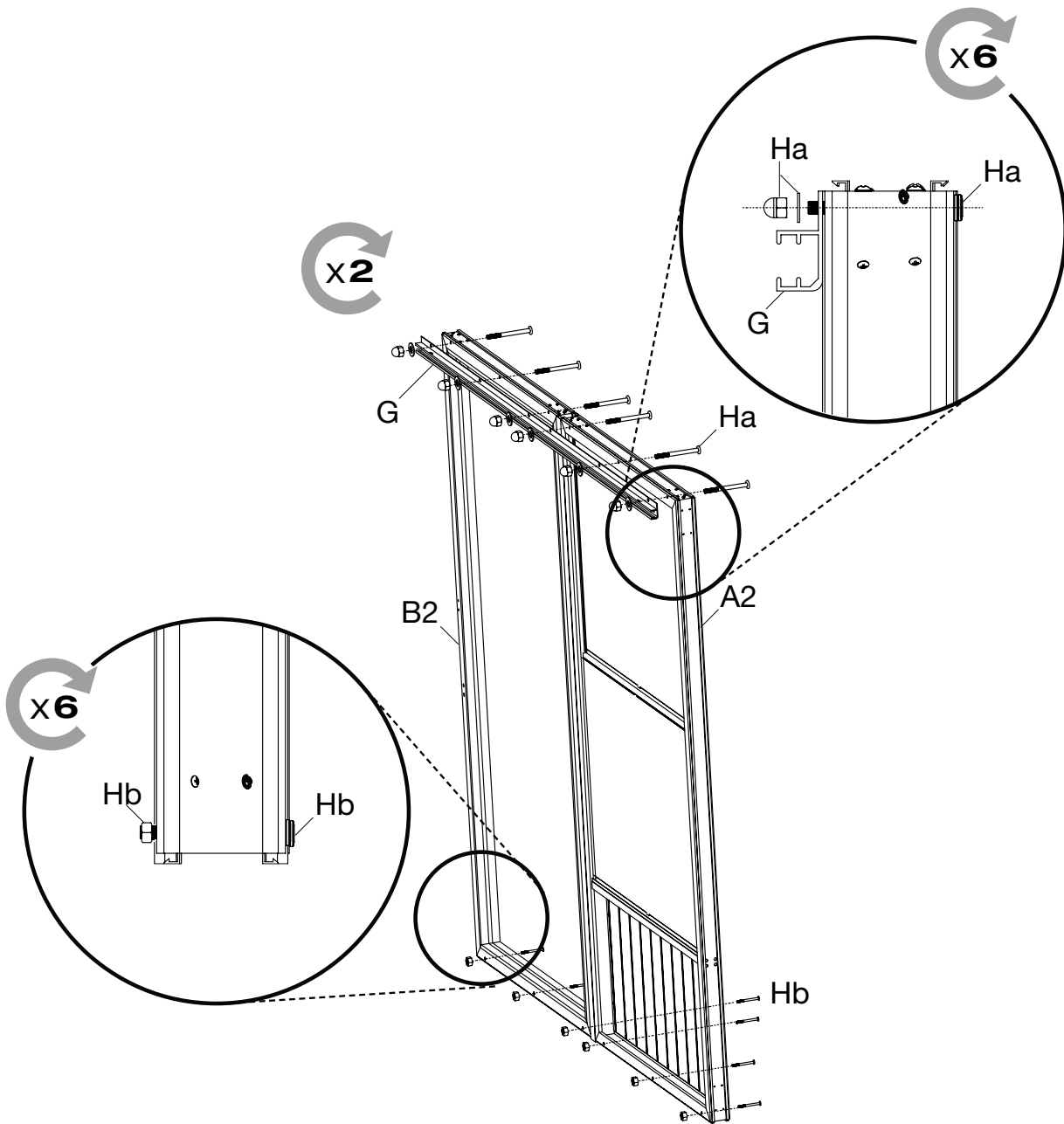


<b>O</b> X1 	<b>O1</b> X1 
<b>O2</b> X4 	<b>Q</b> X4 
<b>T</b> X4 	<b>U</b> X16 
<b>R</b> X2 	<b>S</b> X12 
<b>V1</b> X1 	<b>V2</b> X1 
<b>V3</b> X1 	<b>V4</b> X1 
<b>V5</b> X1 	<b>V6</b> X1 
<b>W</b> X6 	<b>W1</b> X9 







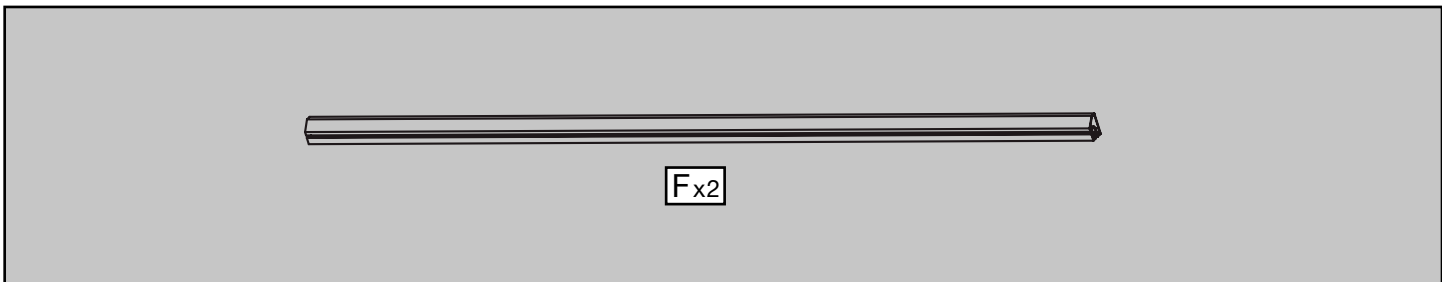
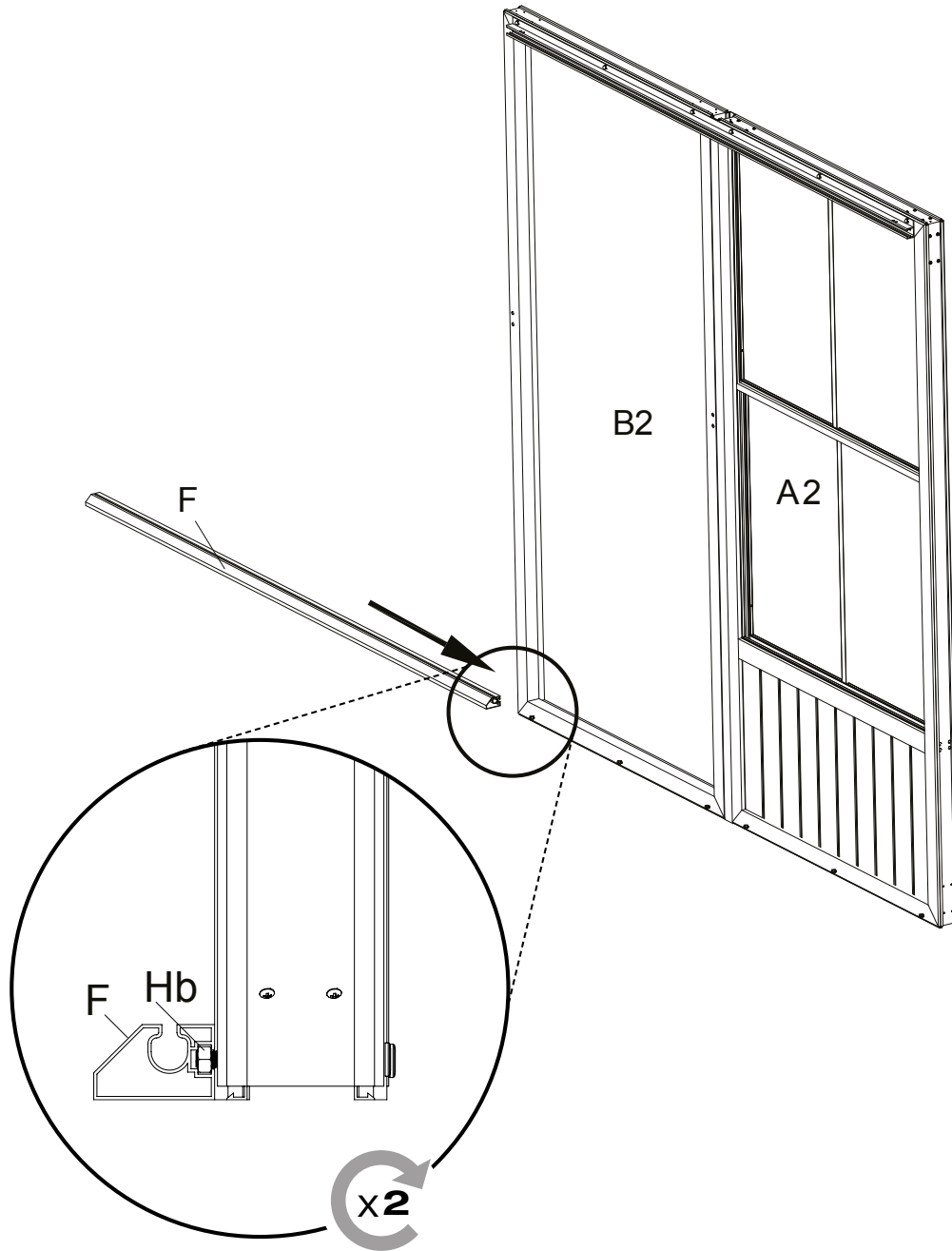


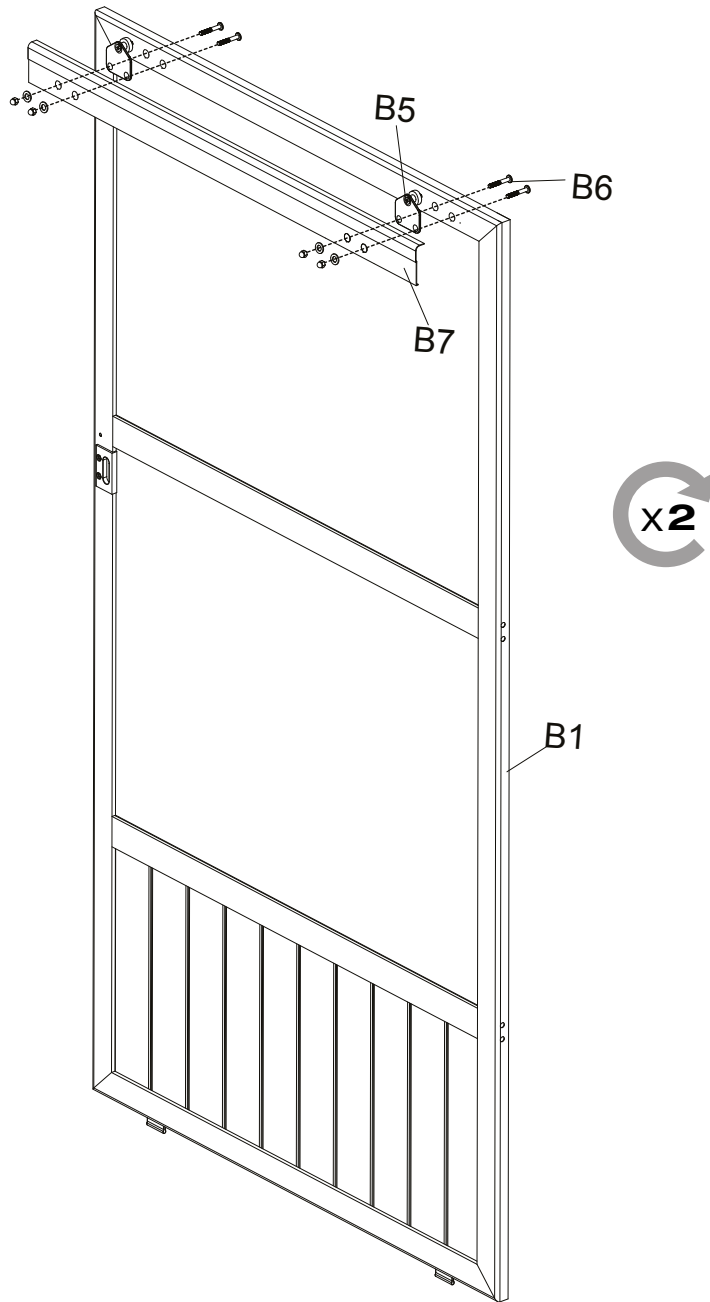
This section contains the parts list and safety instructions for the assembly step. The parts list includes:

- A long horizontal bar labeled **Gx2**.
- A bolt labeled **Hbx12**.
- A bolt with a washer and nut labeled **Hax12**.

Two safety icons are present:

- A circular icon with two stylized human figures and the text **2+**, indicating that at least two people are required for this step.
- A circular icon with a hand holding a hammer and a diagonal slash through it, indicating that no force should be applied during assembly.

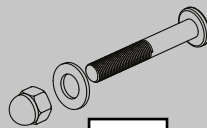




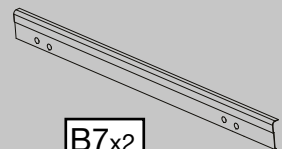
B1x2



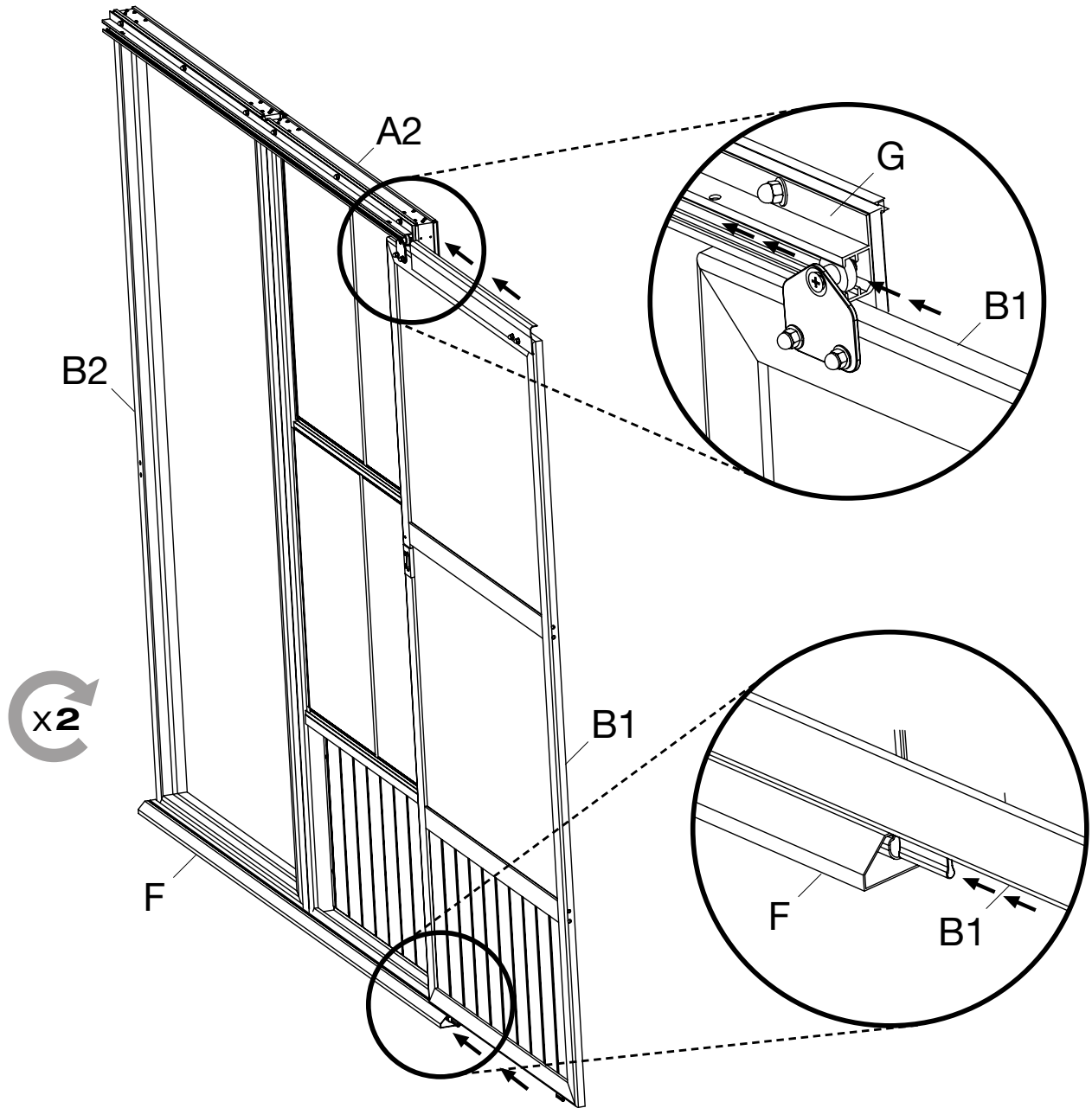
B5x4

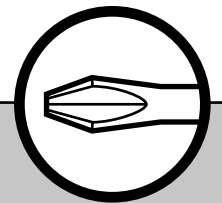
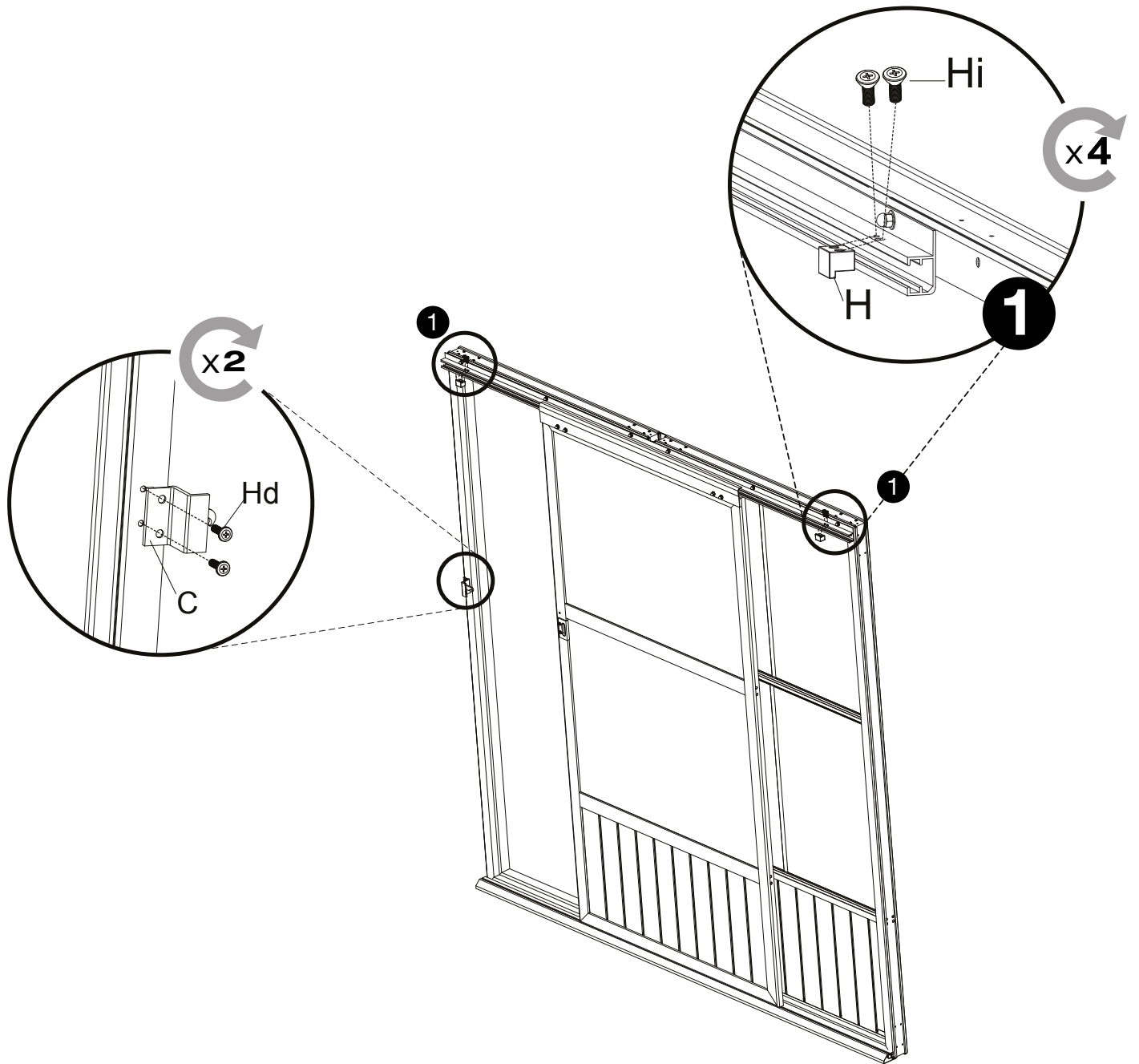


B6x8

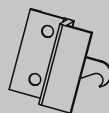


B7x2

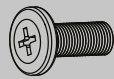




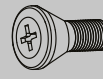
**Hx4**



**Cx2**

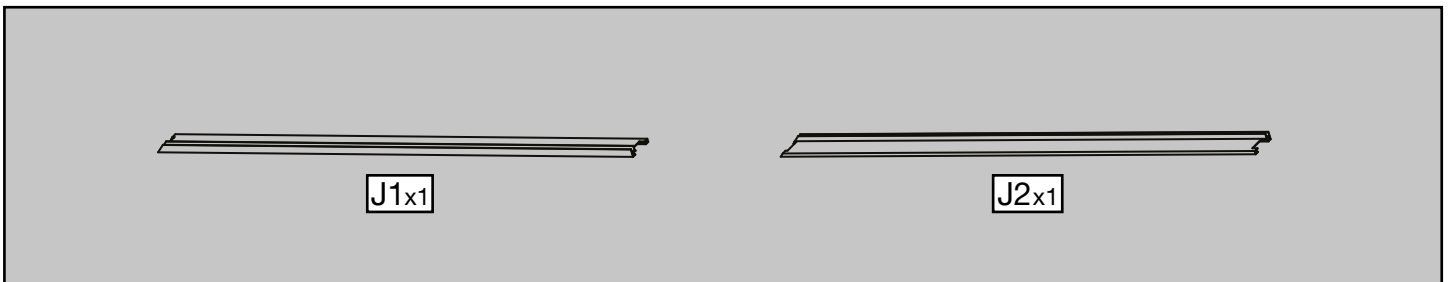
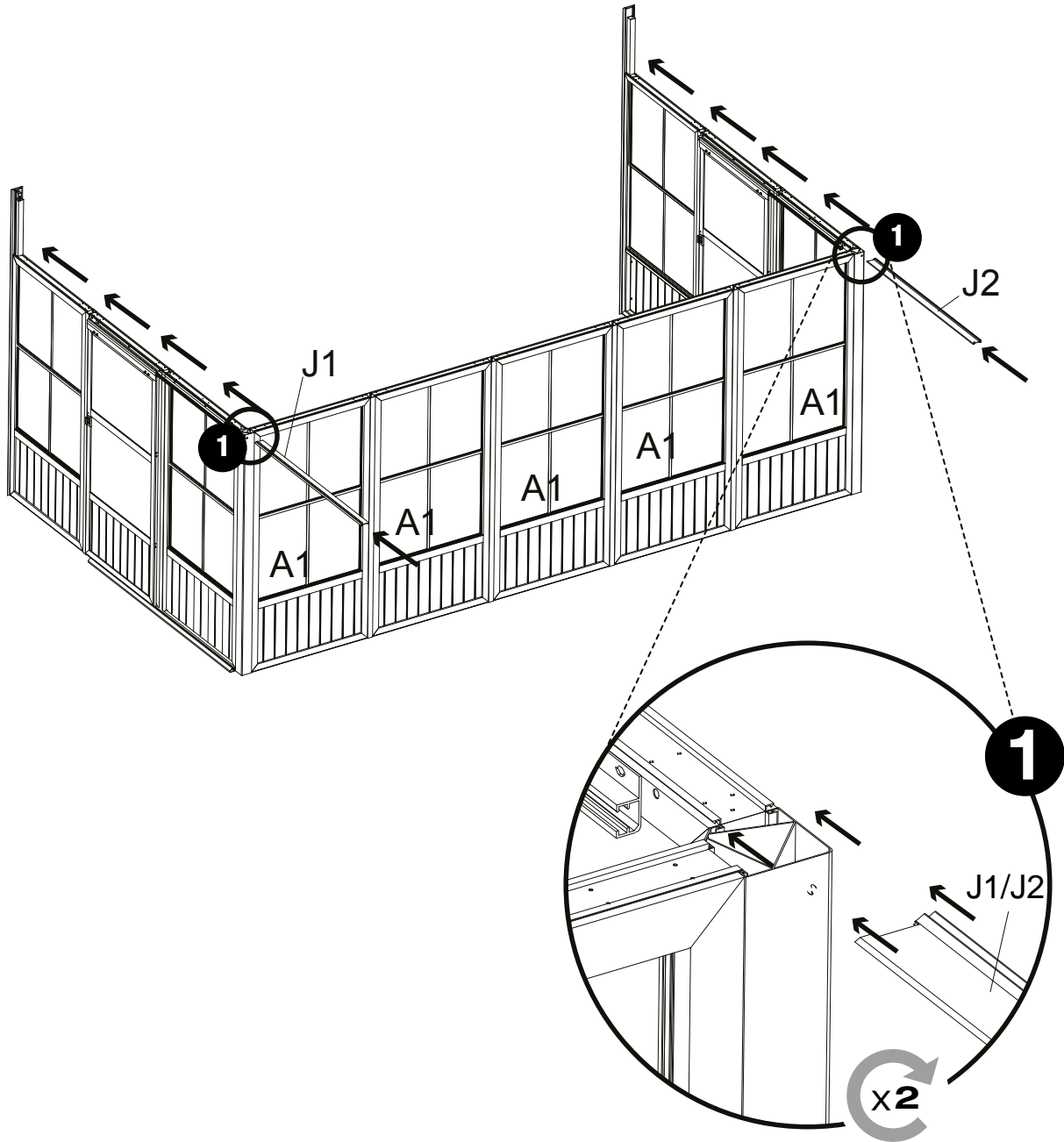


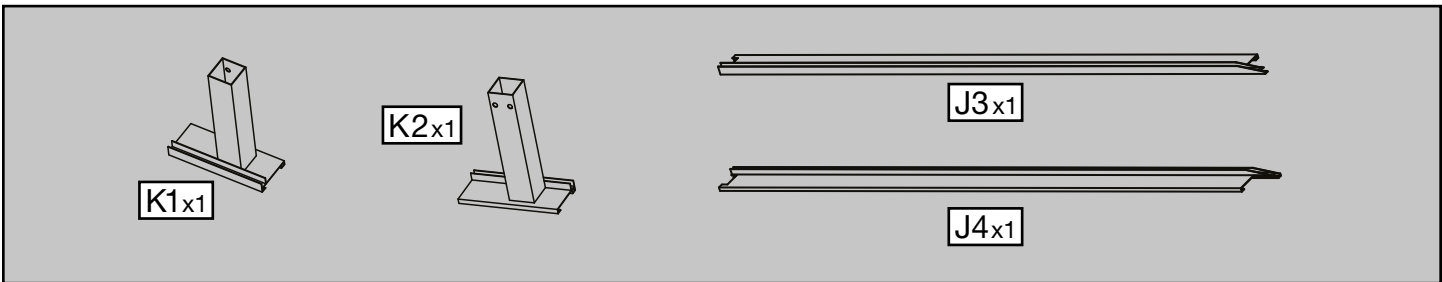
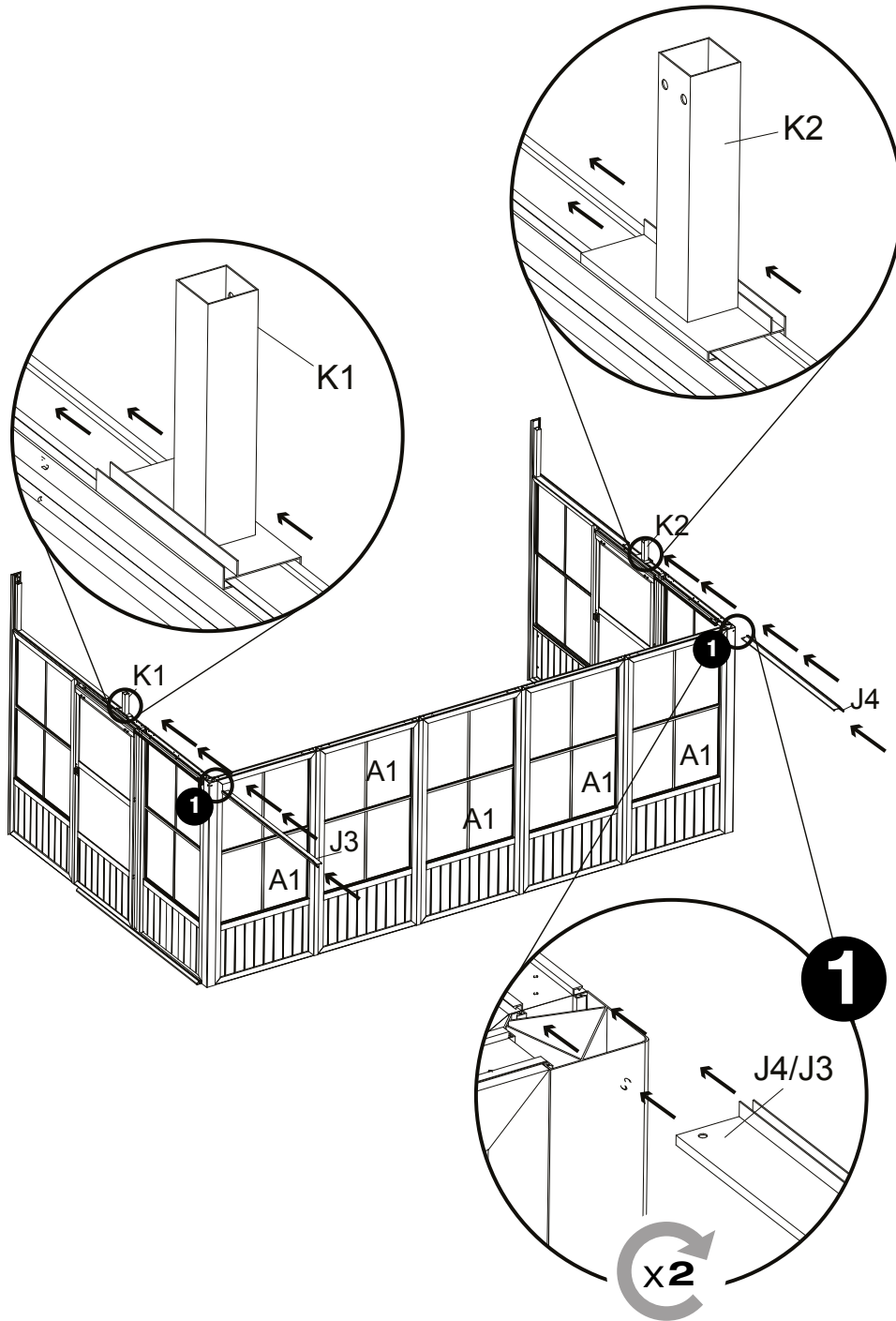
**Hdx4**



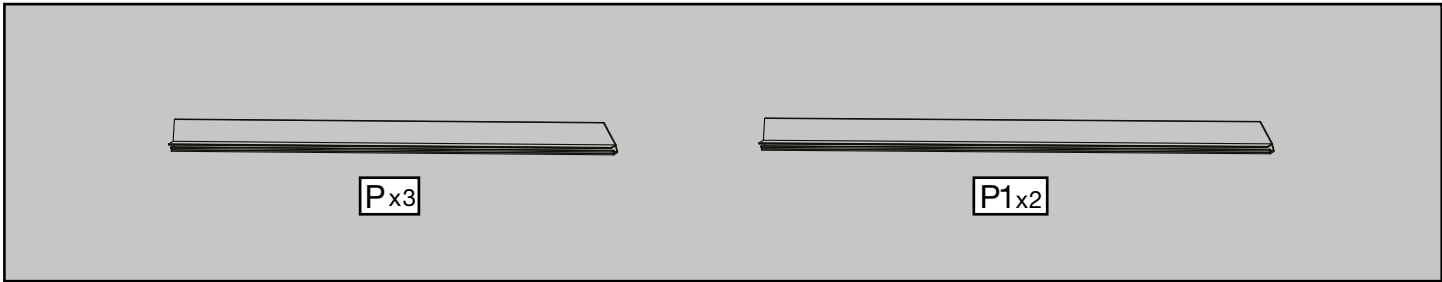
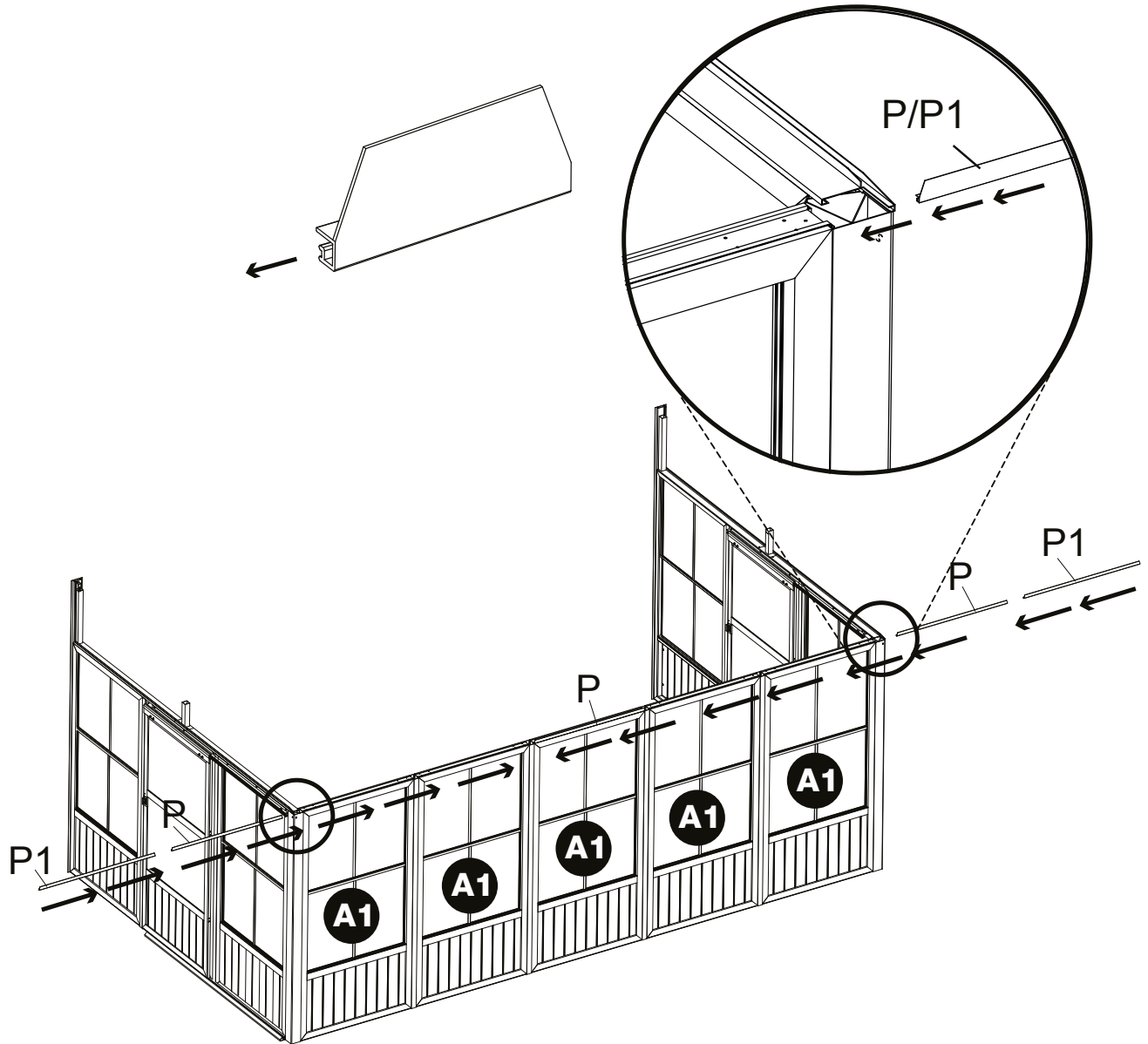
**Hix8**

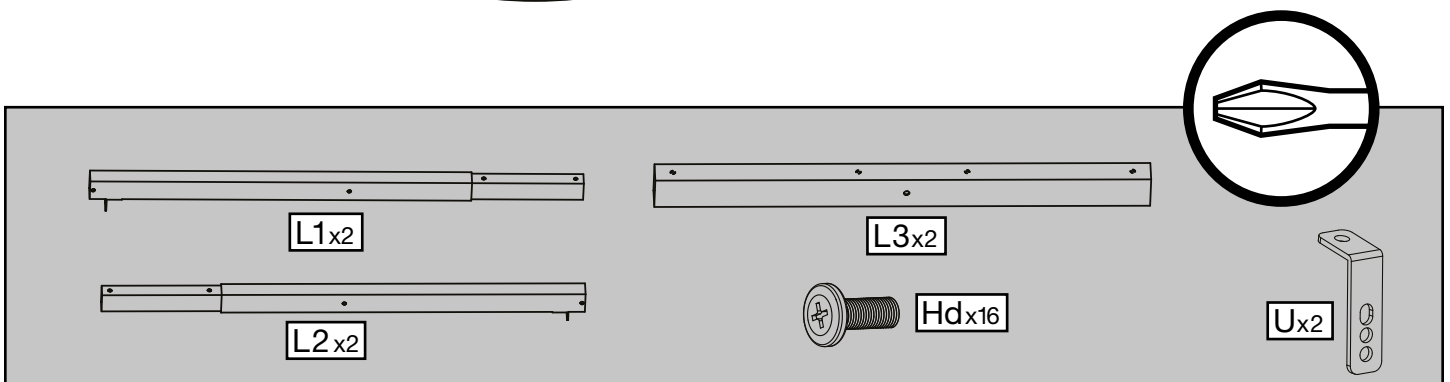
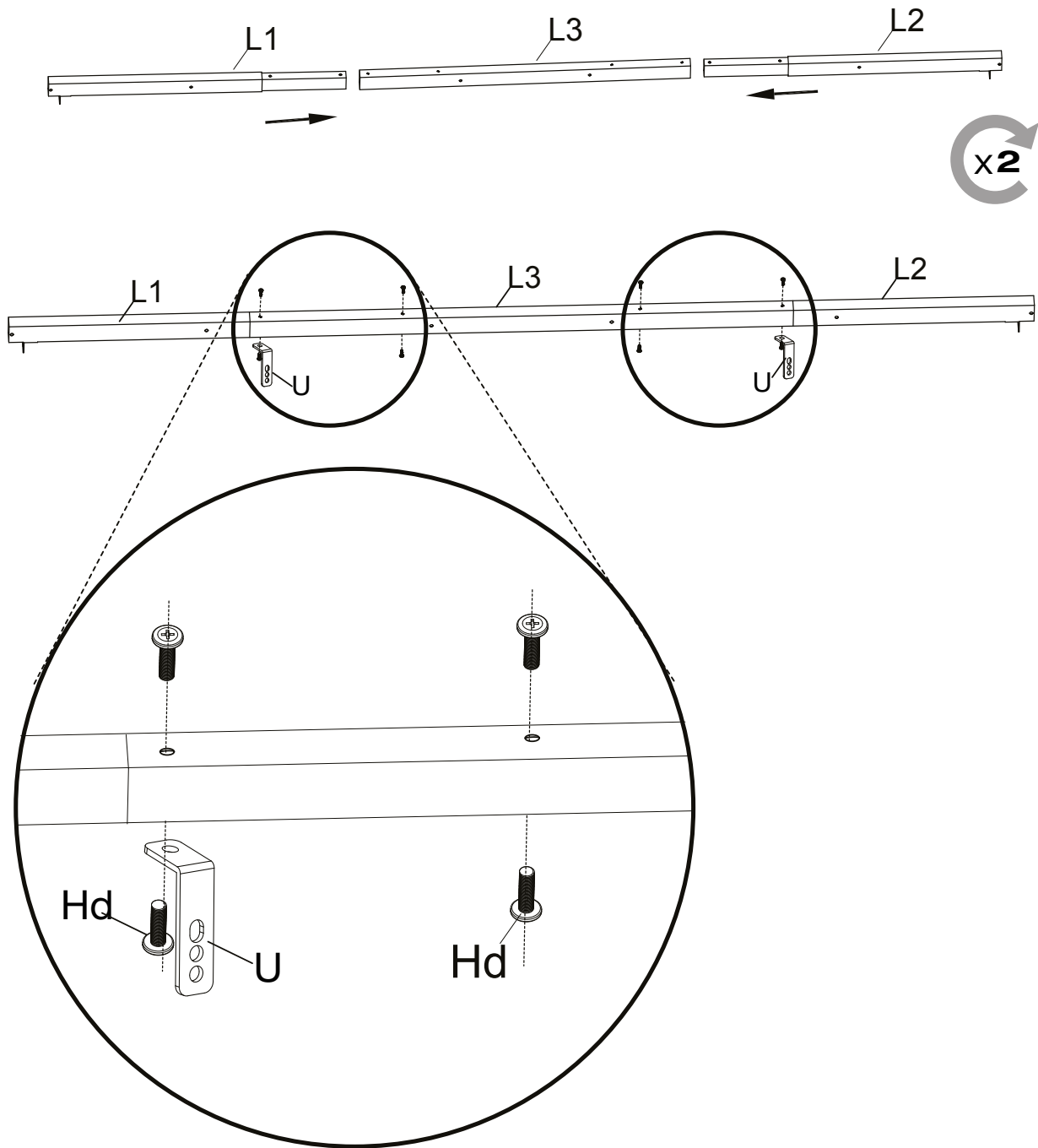


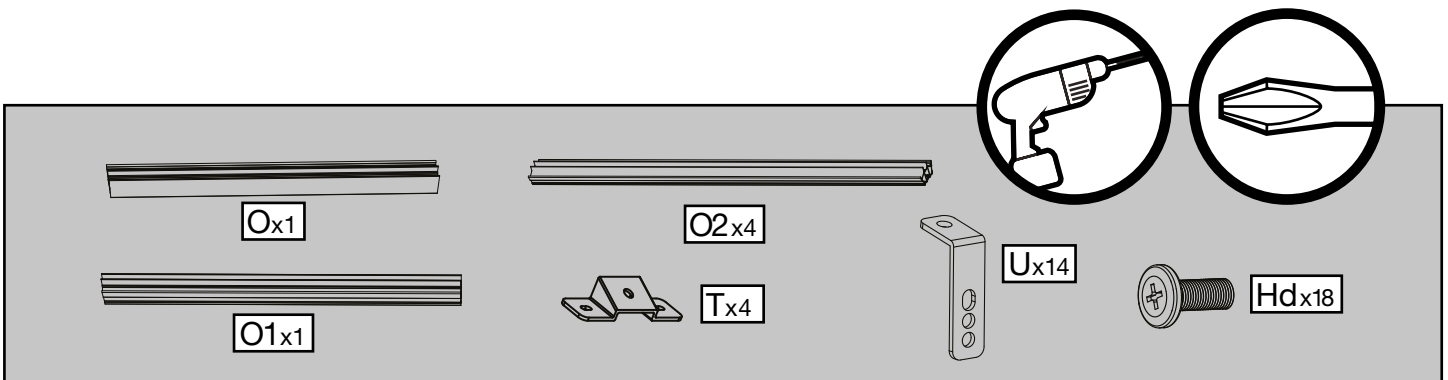
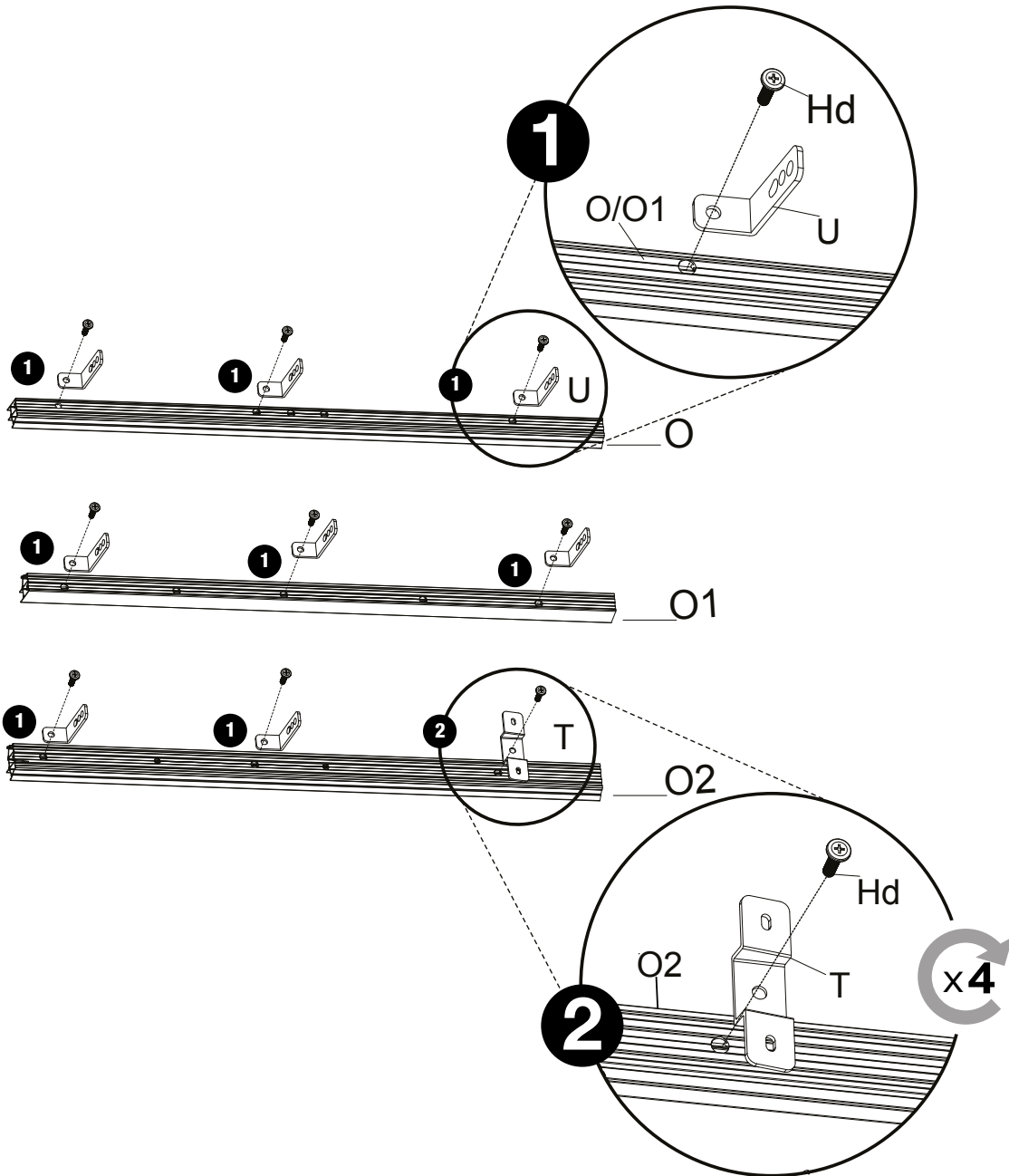


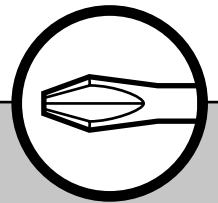
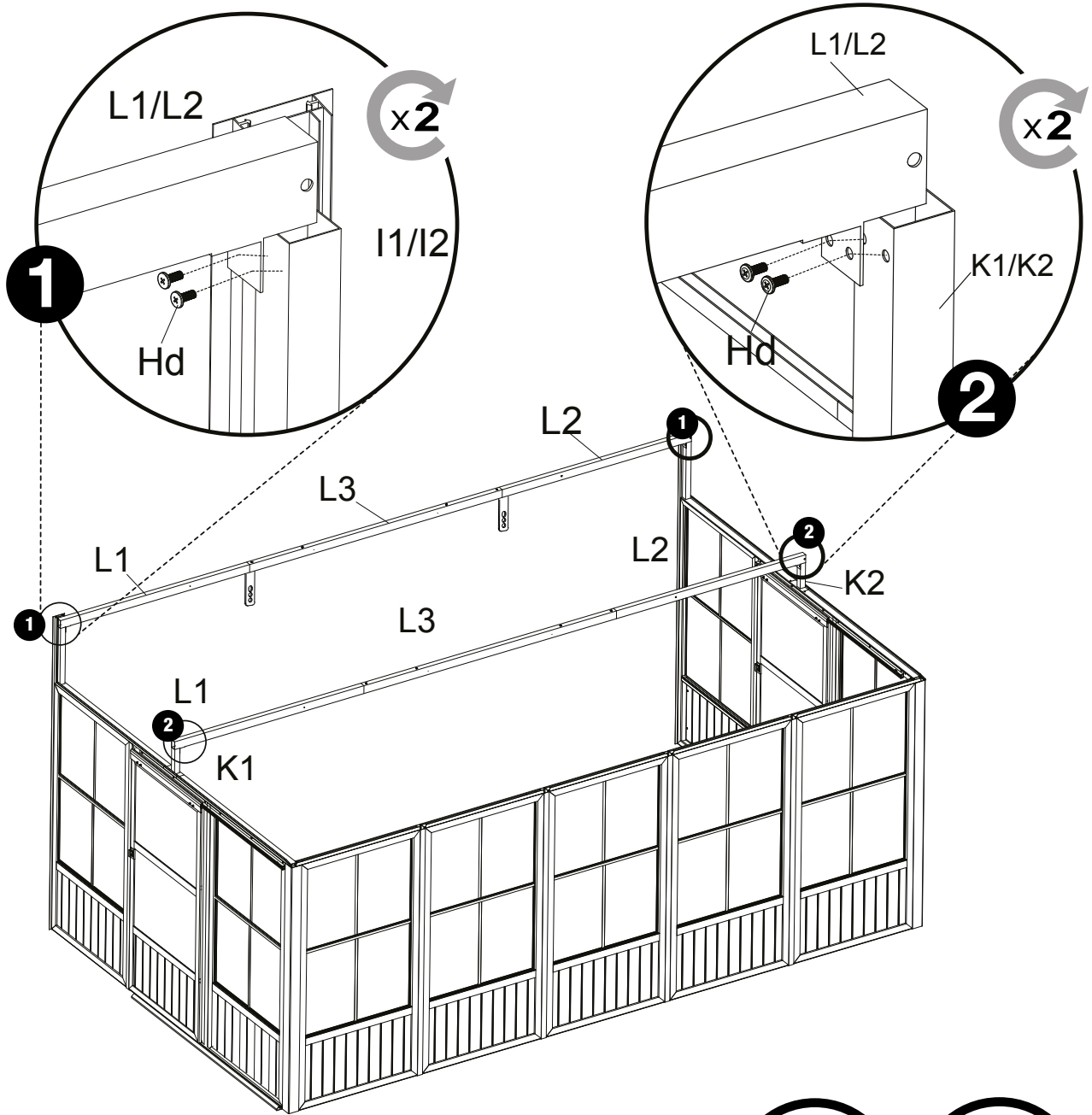


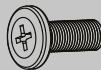
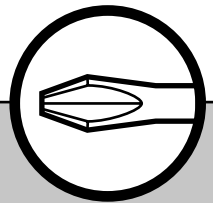
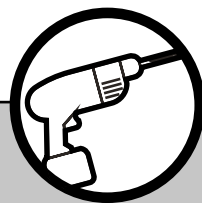
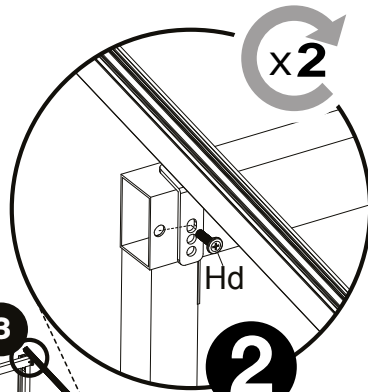
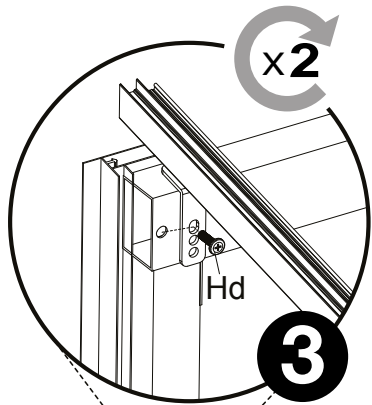
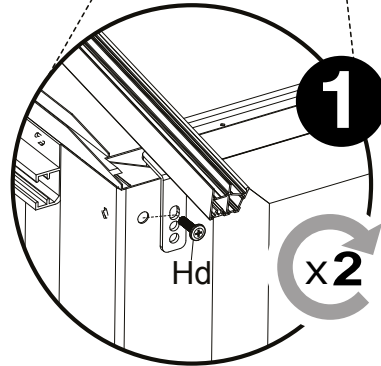
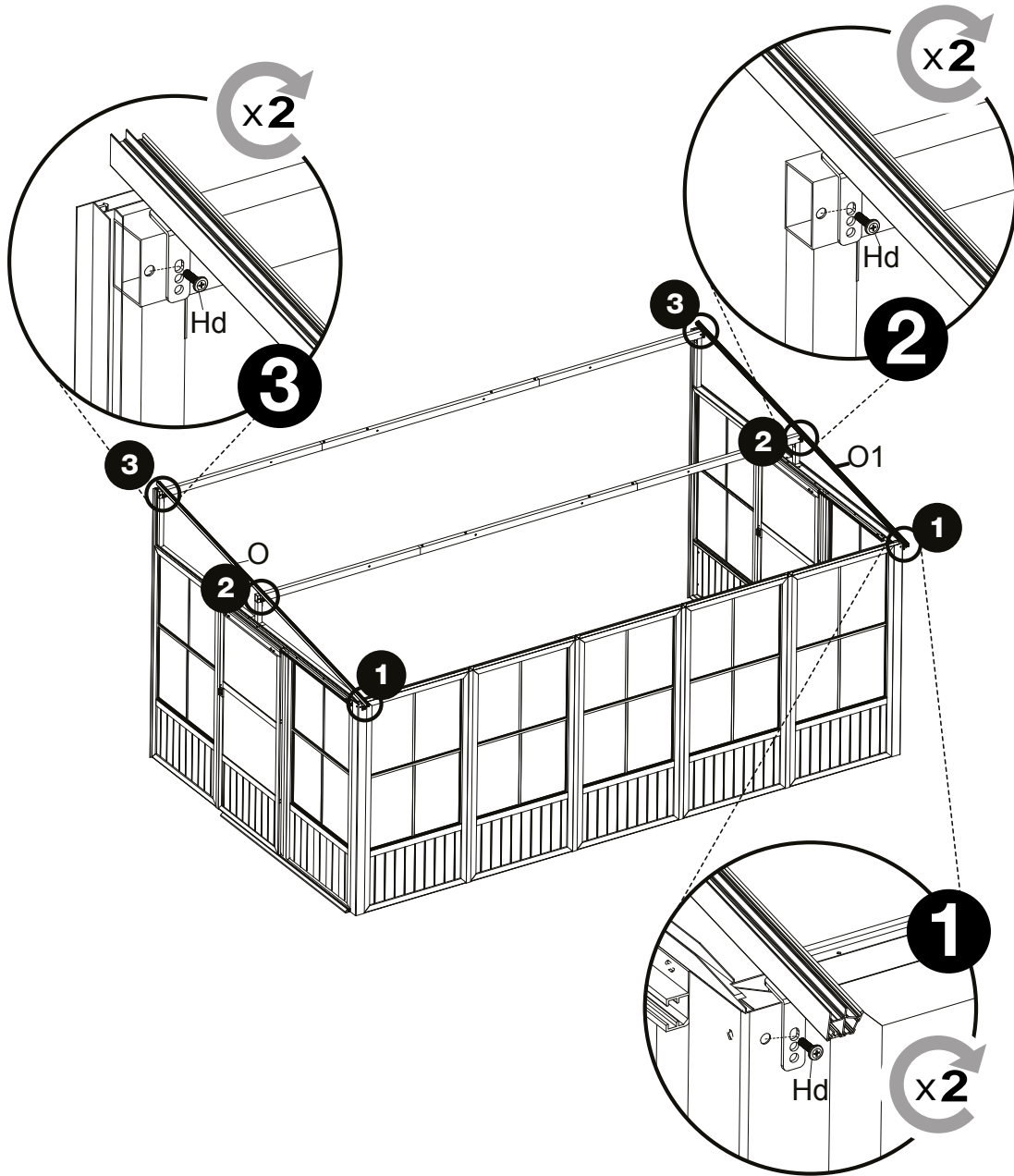




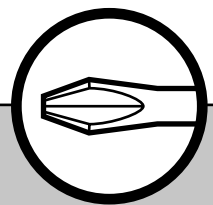
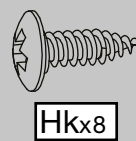
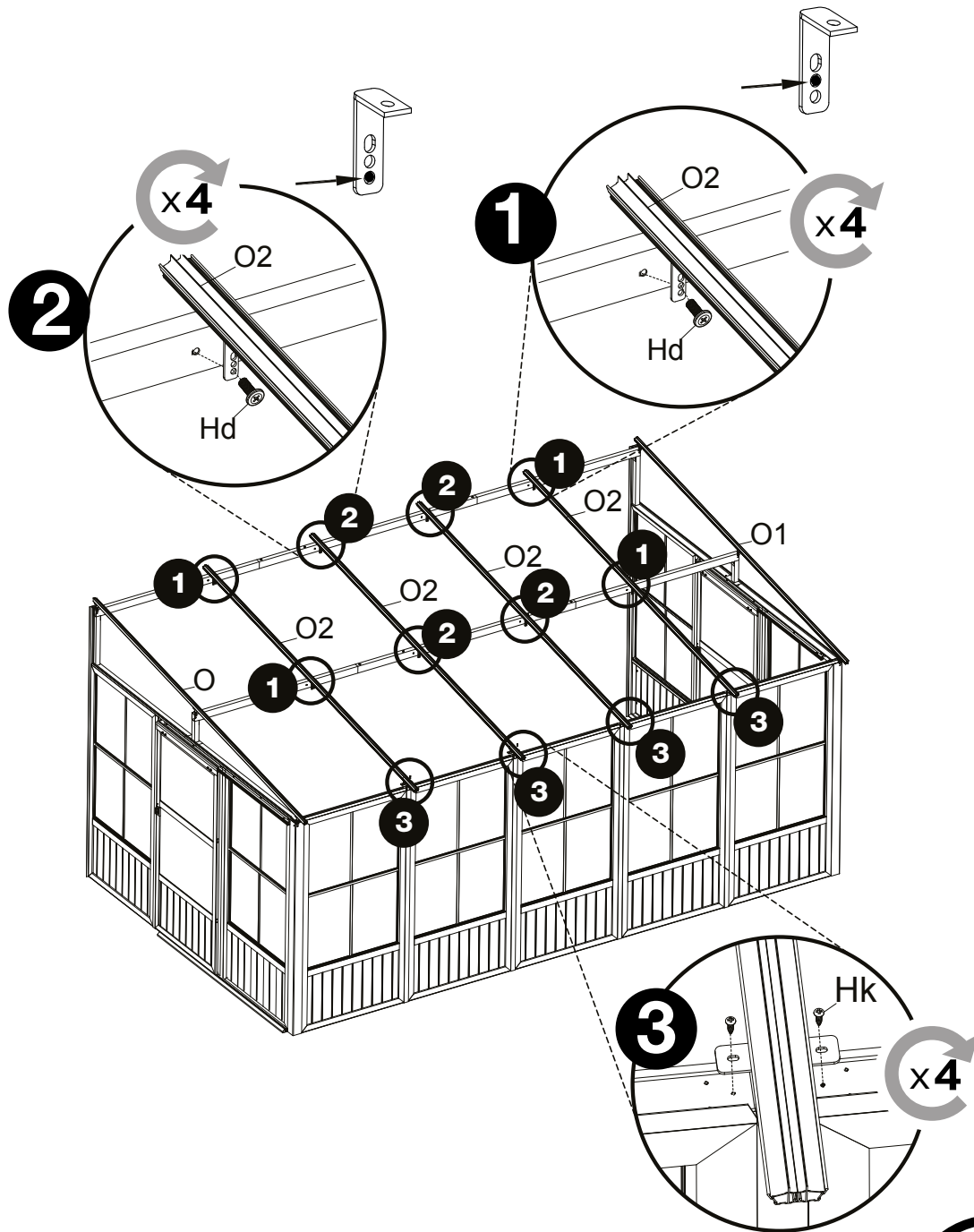


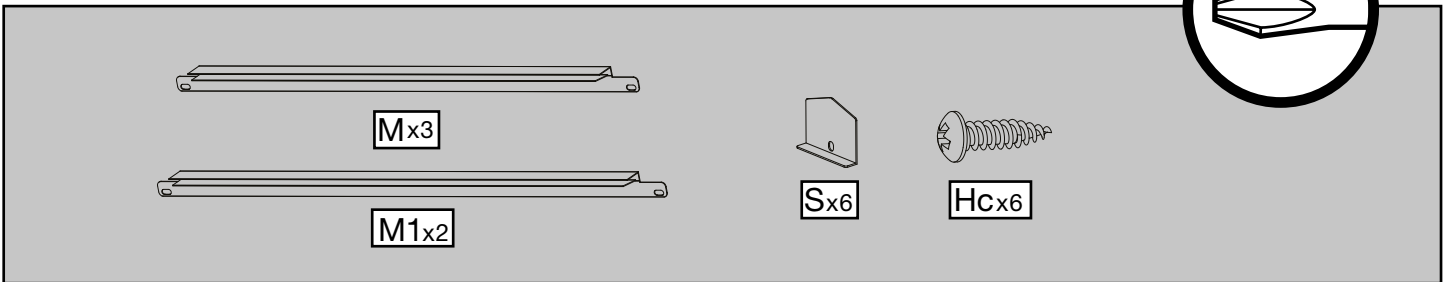
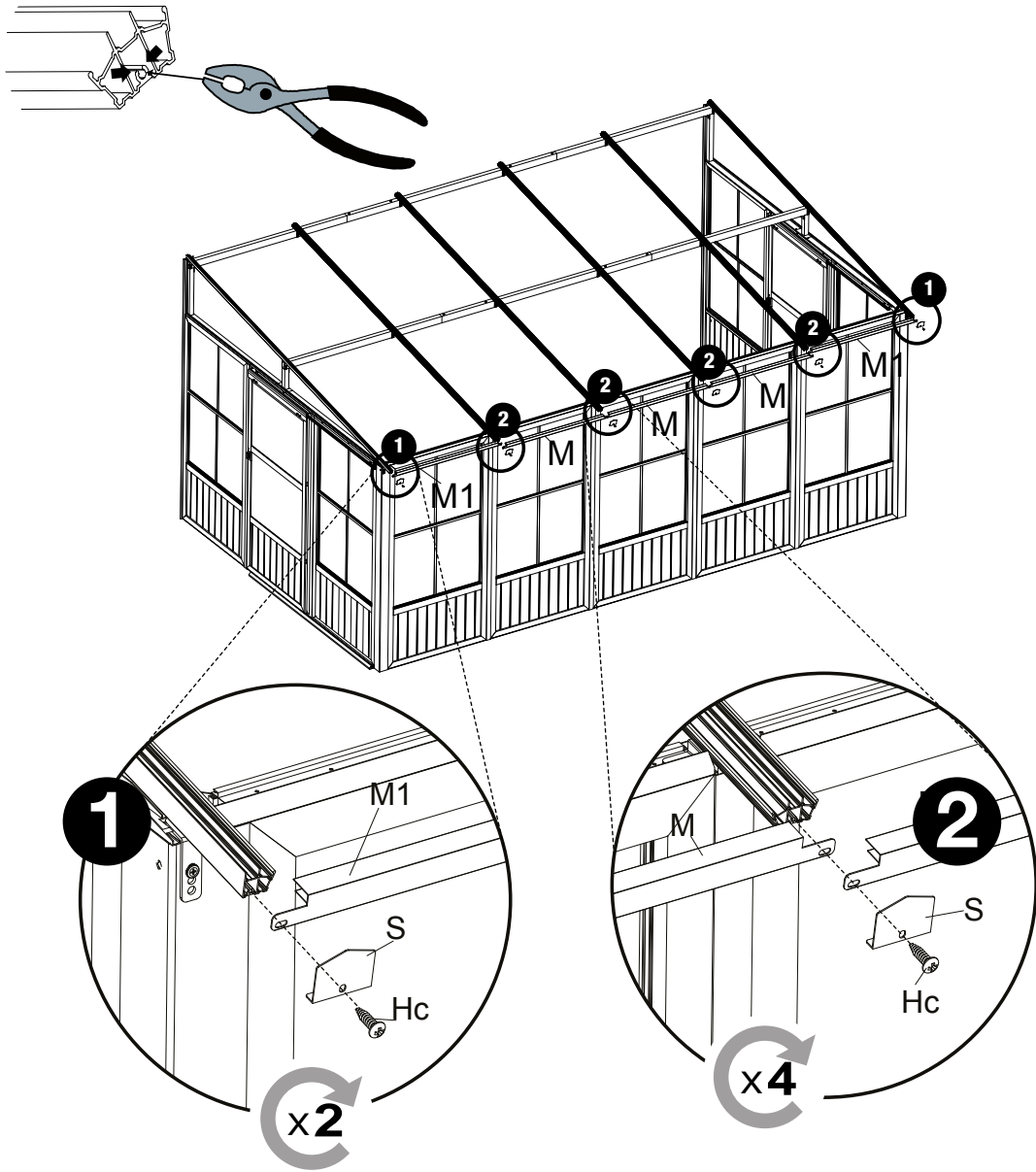






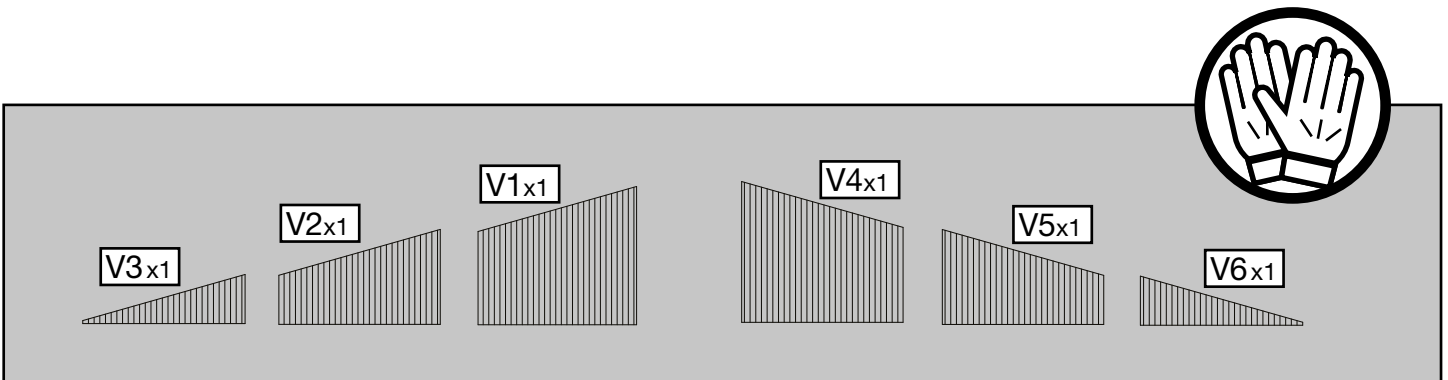
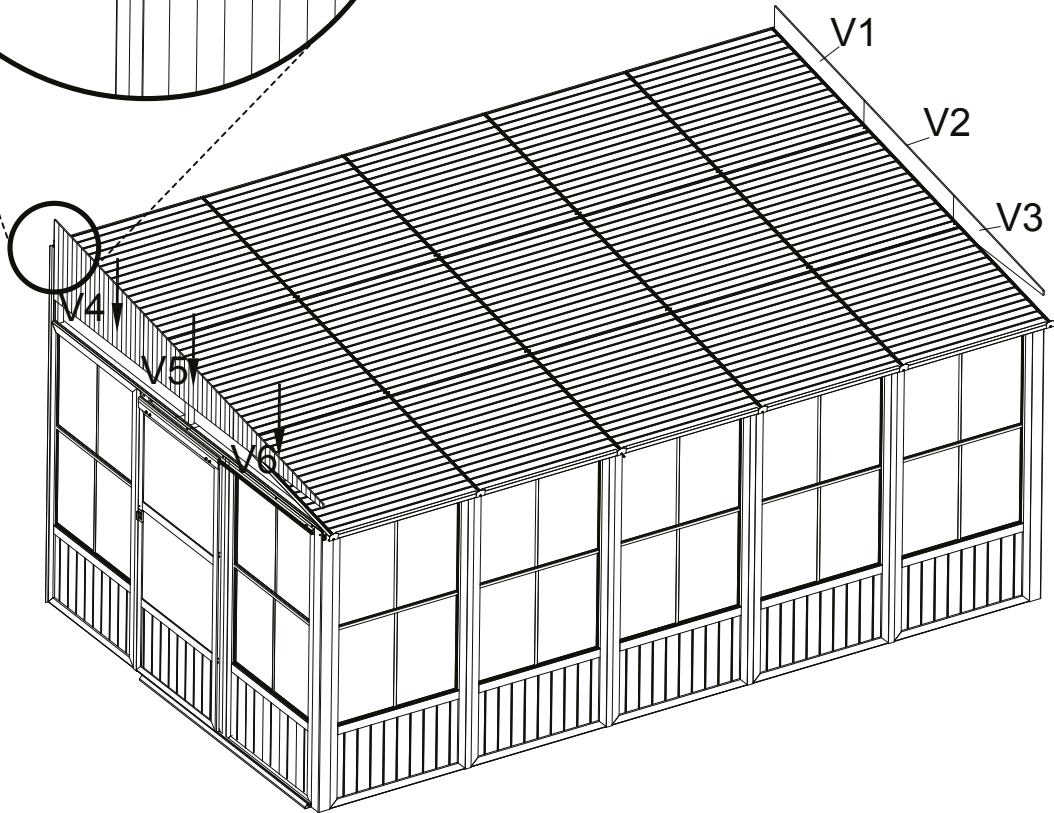
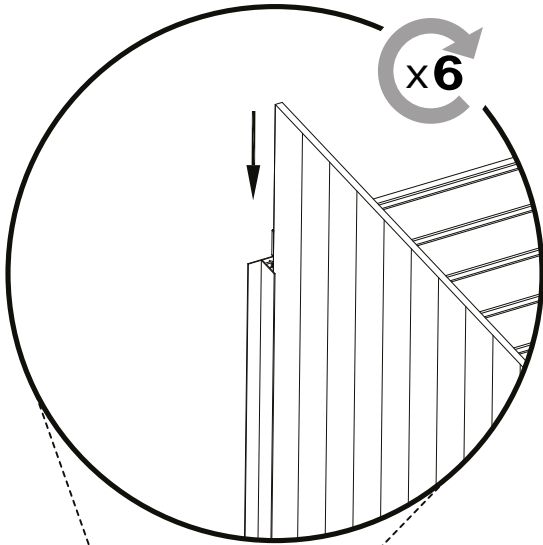
Hd x6

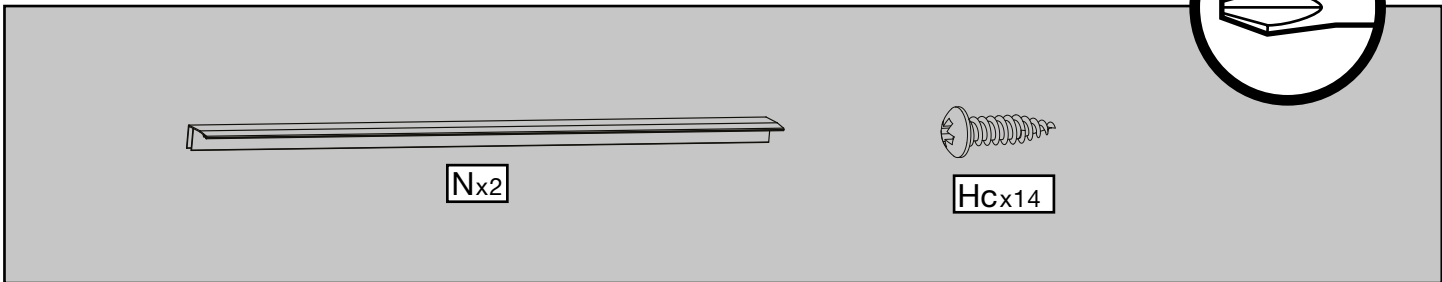
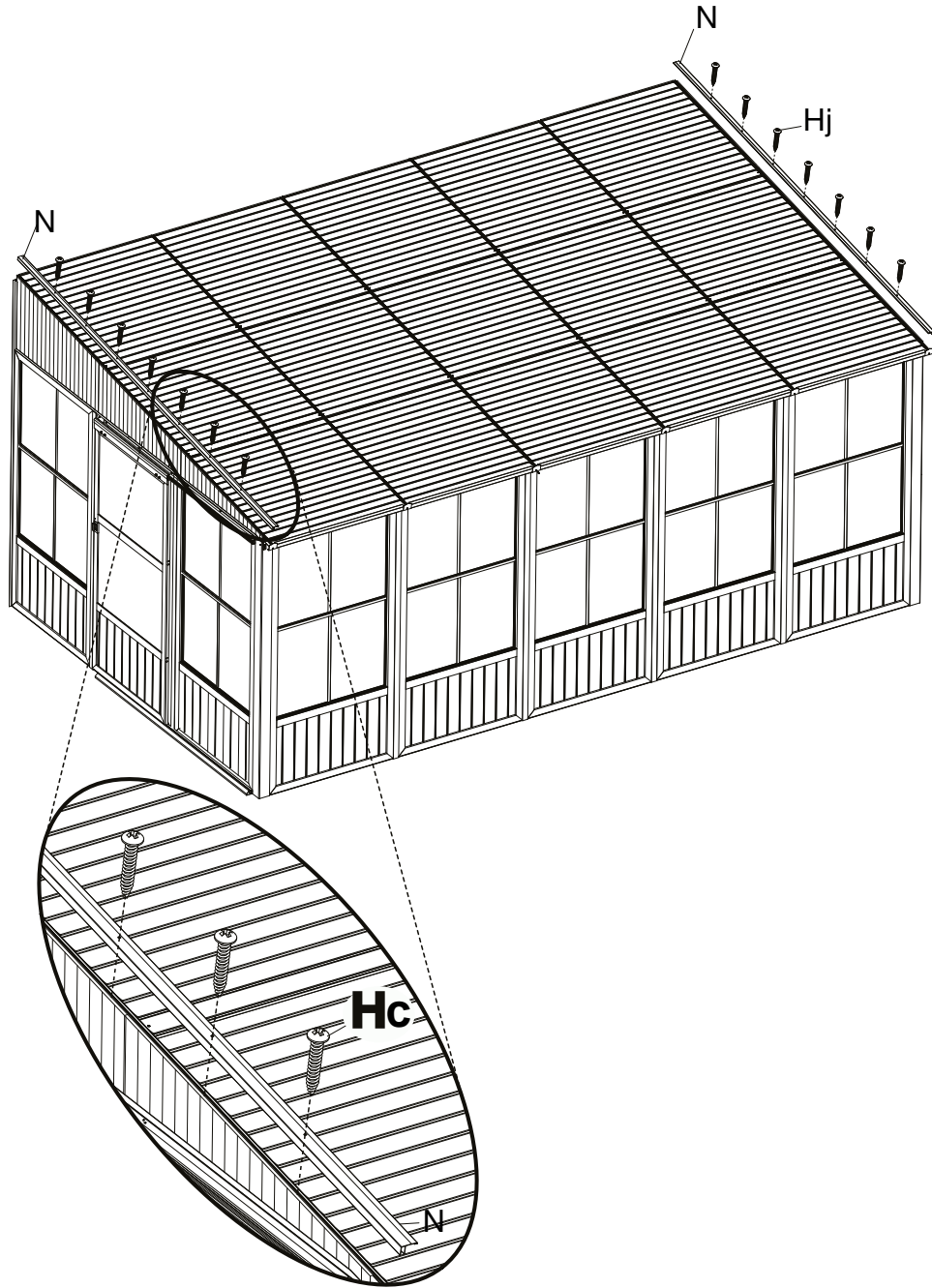


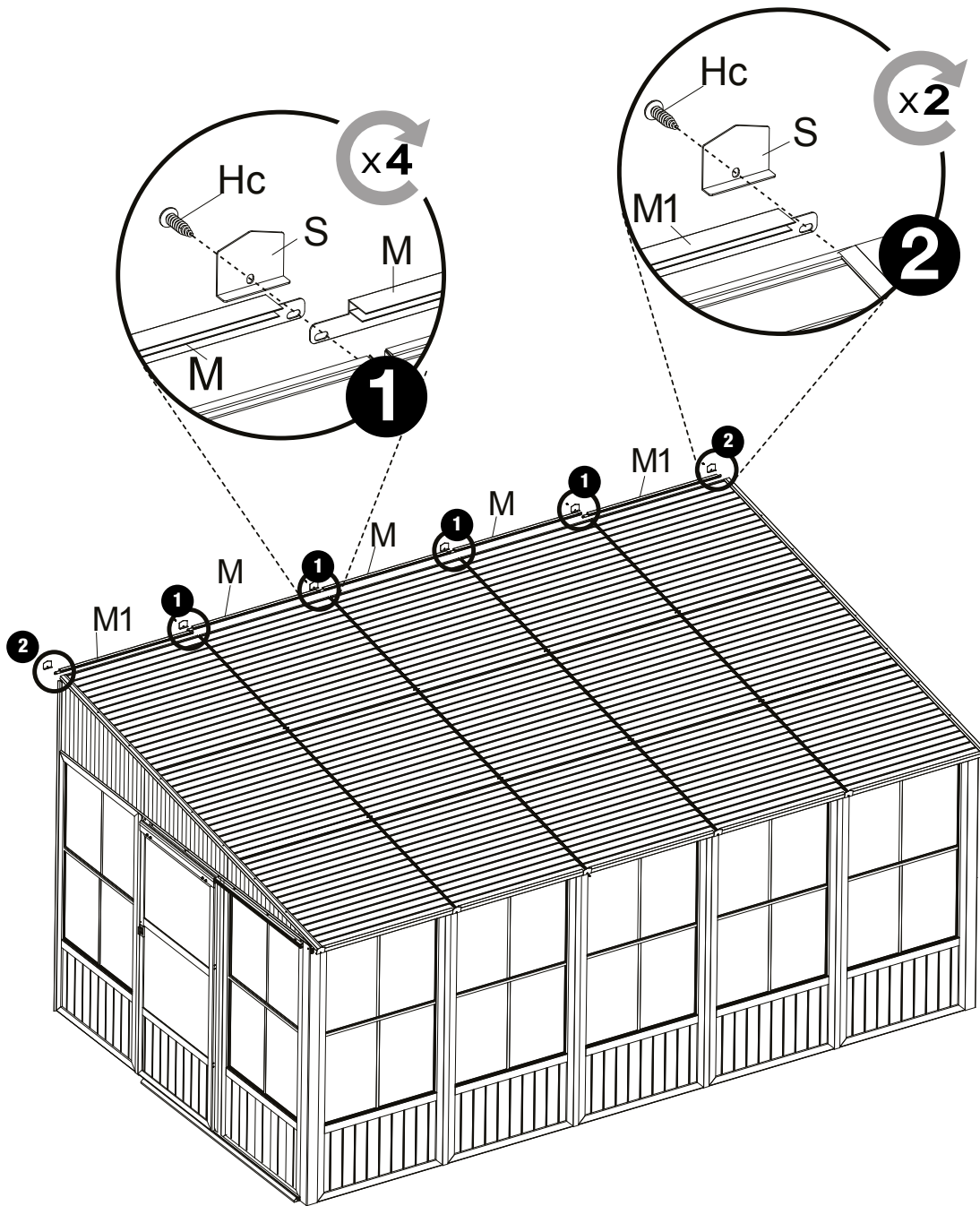








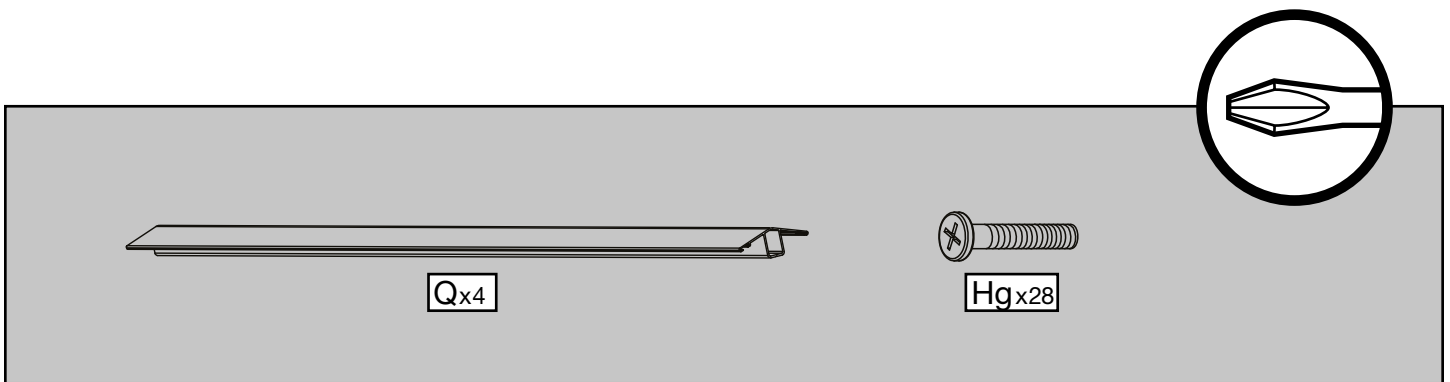
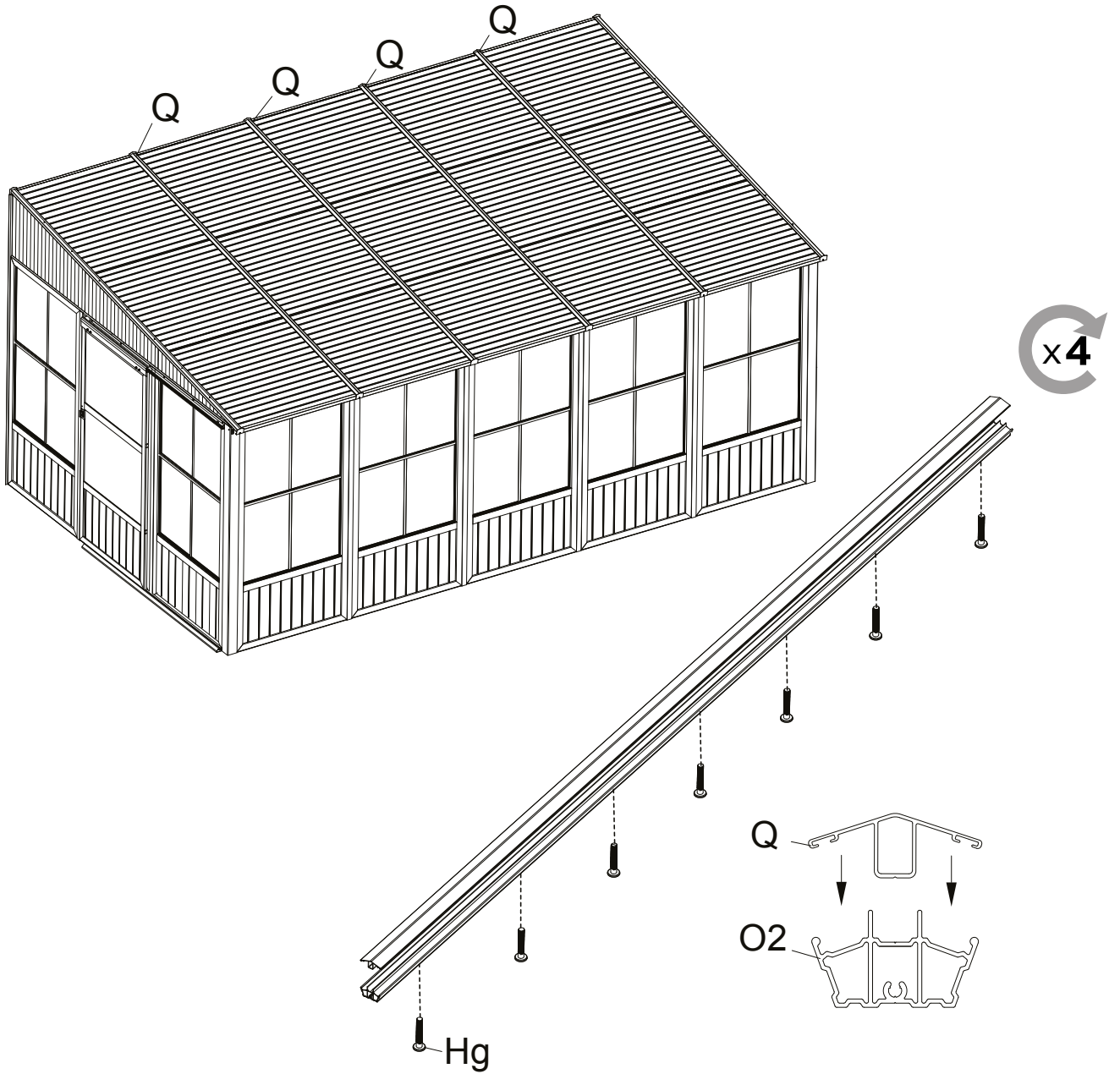




A parts list and tool icon are located at the bottom of the page. The parts list includes:

- Mx3
- M1x2
- Sx6
- Hc x6

A circular icon containing a screwdriver is also present.









**SOJAG** ■ I  
produits saisonniers • seasonal products