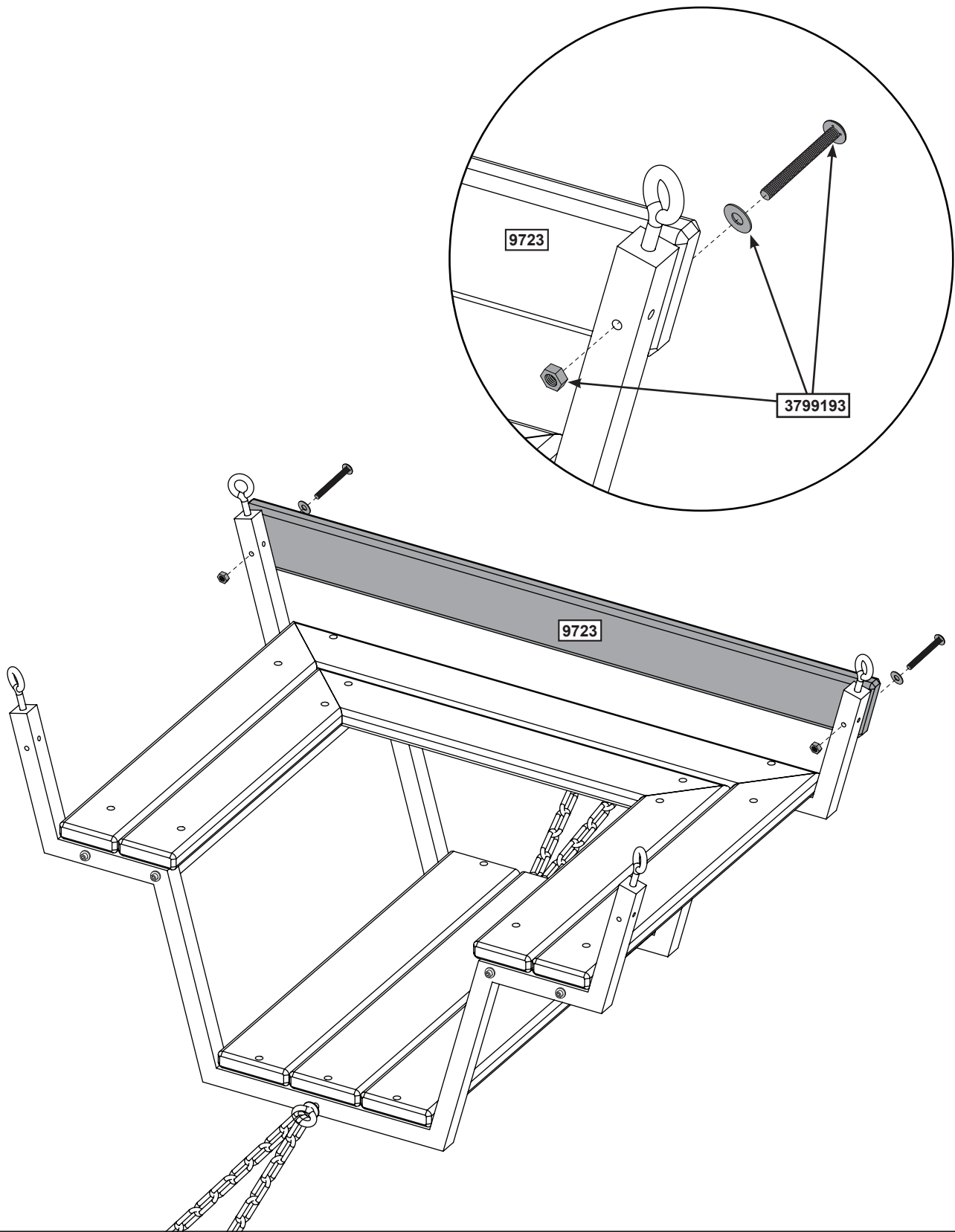


Step 73



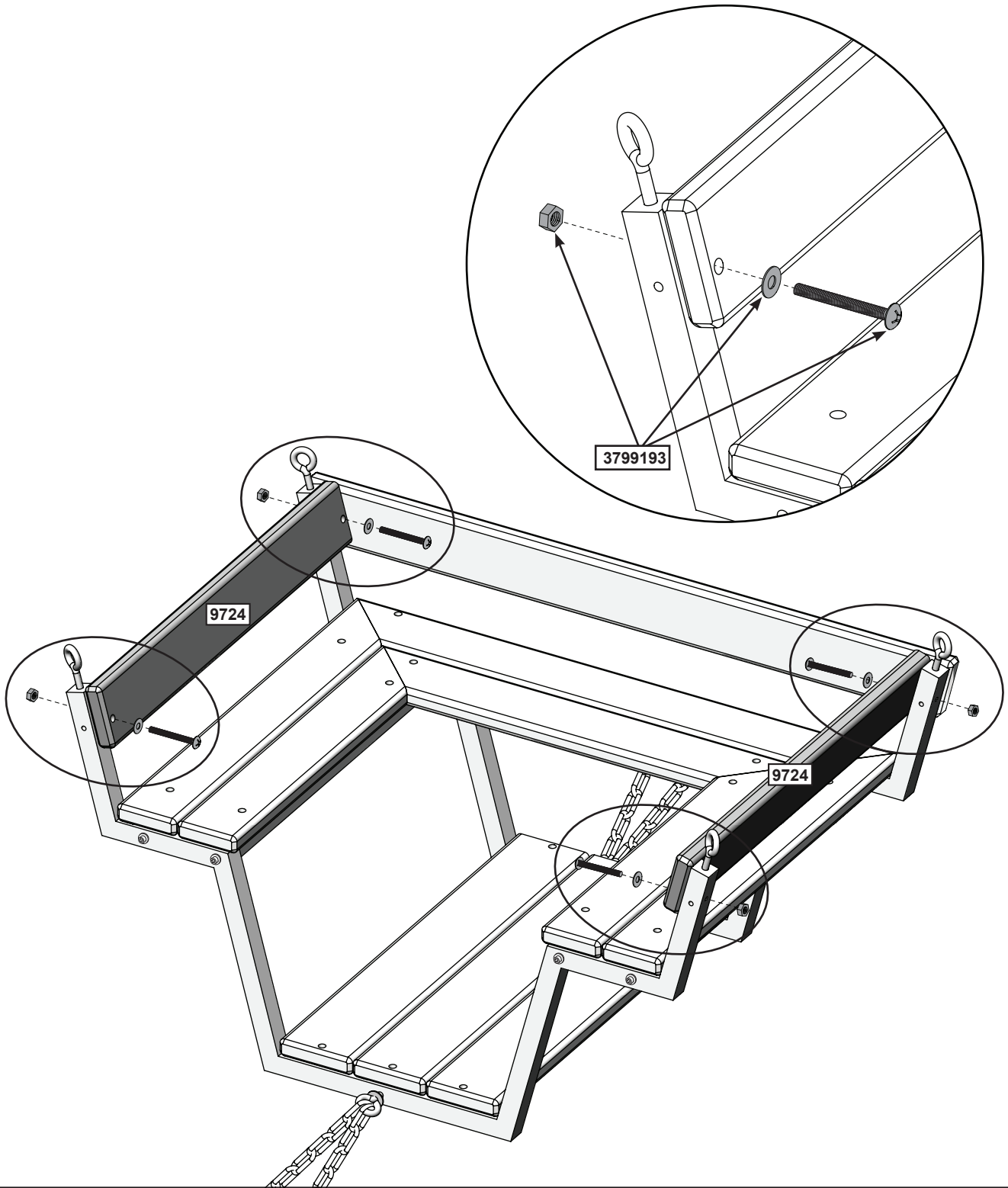
Wood Parts

1 x 9723 23.8 x 82.6 x 896.1 mm (15/16" x 3-1/4" x 35-1/4")

Other Parts

2 x 3799193

Step 74



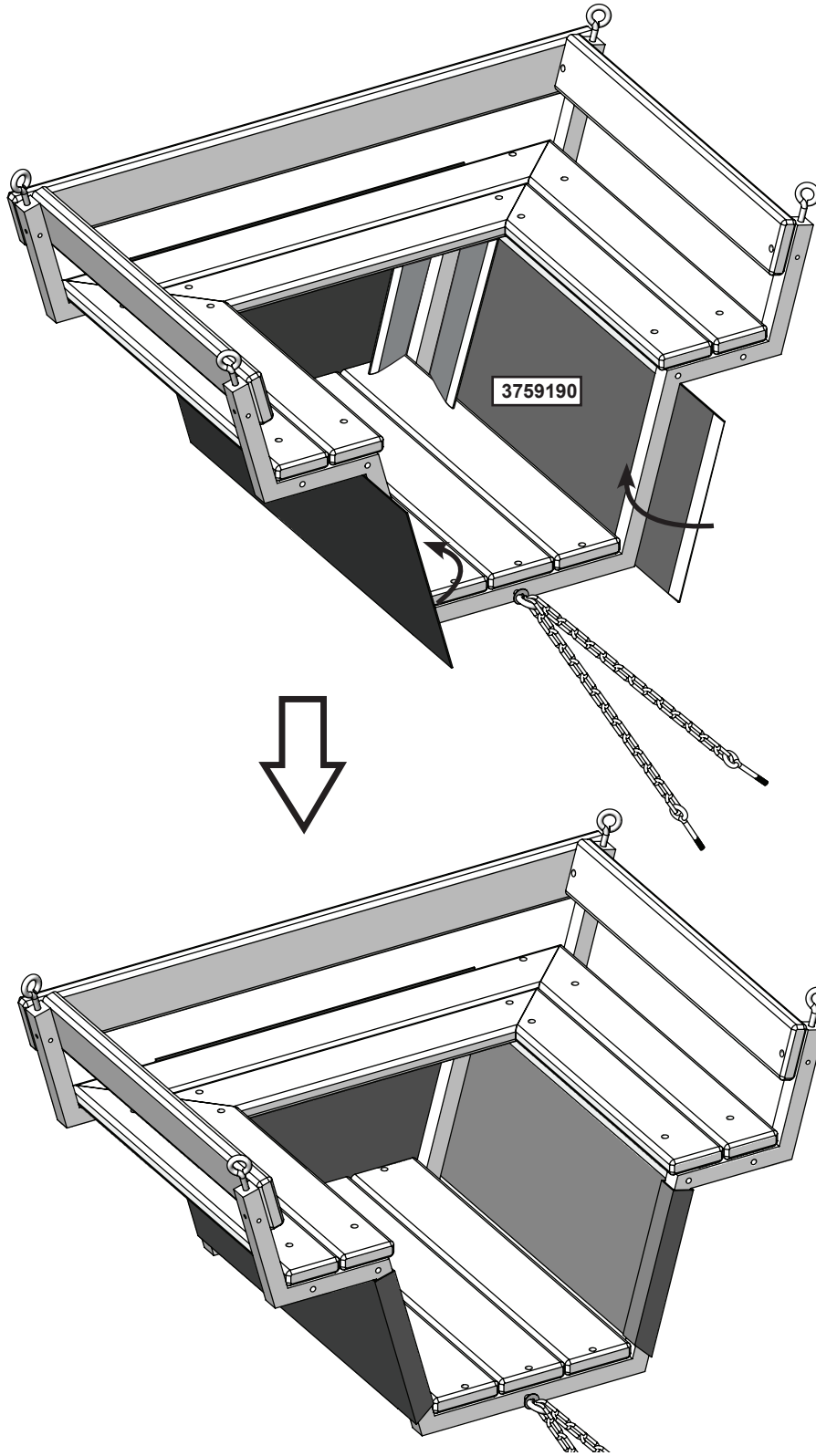
Wood Parts

2 x **9724** 23.8 x 82.6 x 584.8 mm (15/16" x 3-1/4" x 23")

Other Parts

4 x **3799193**

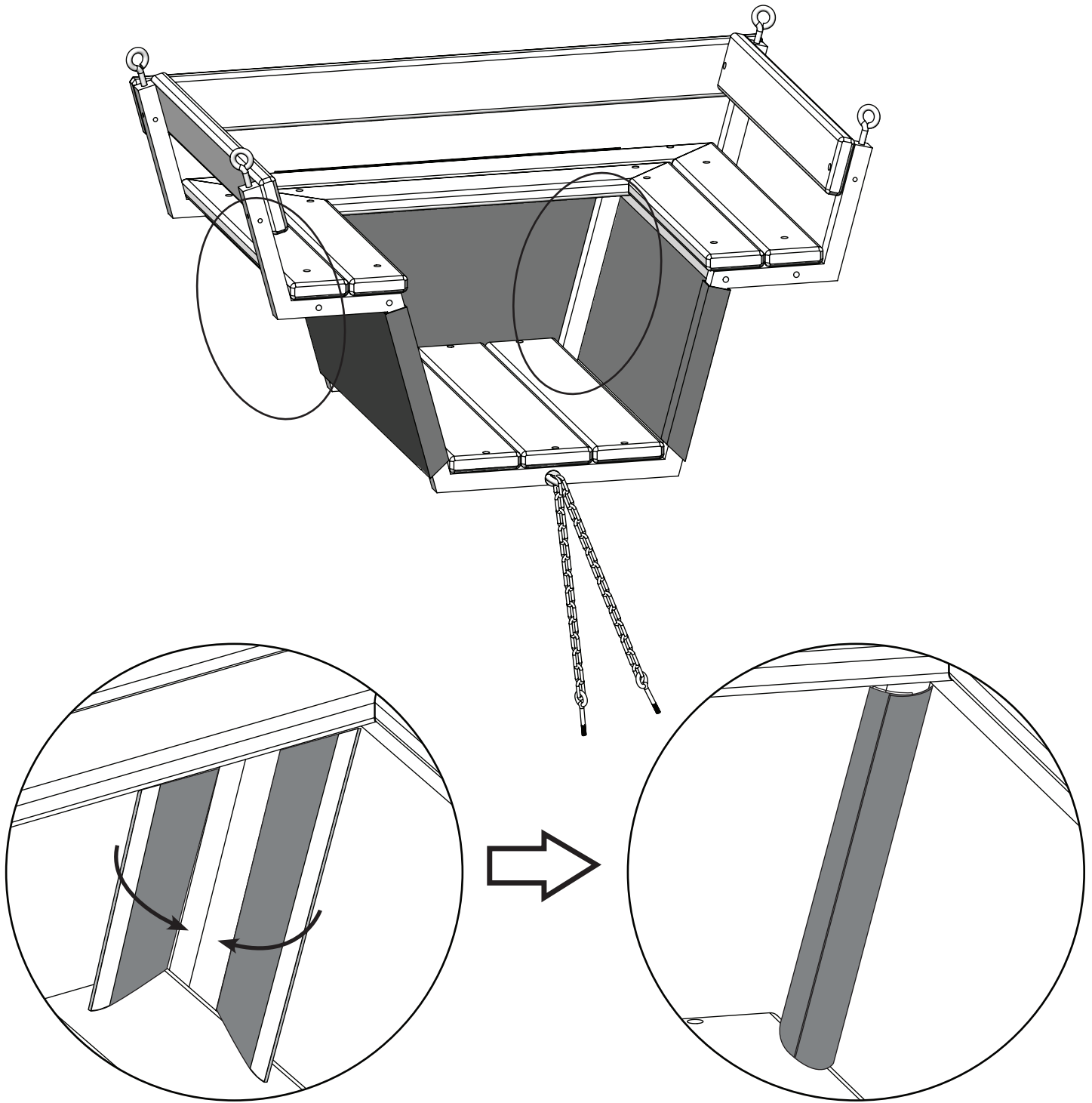
Step 75



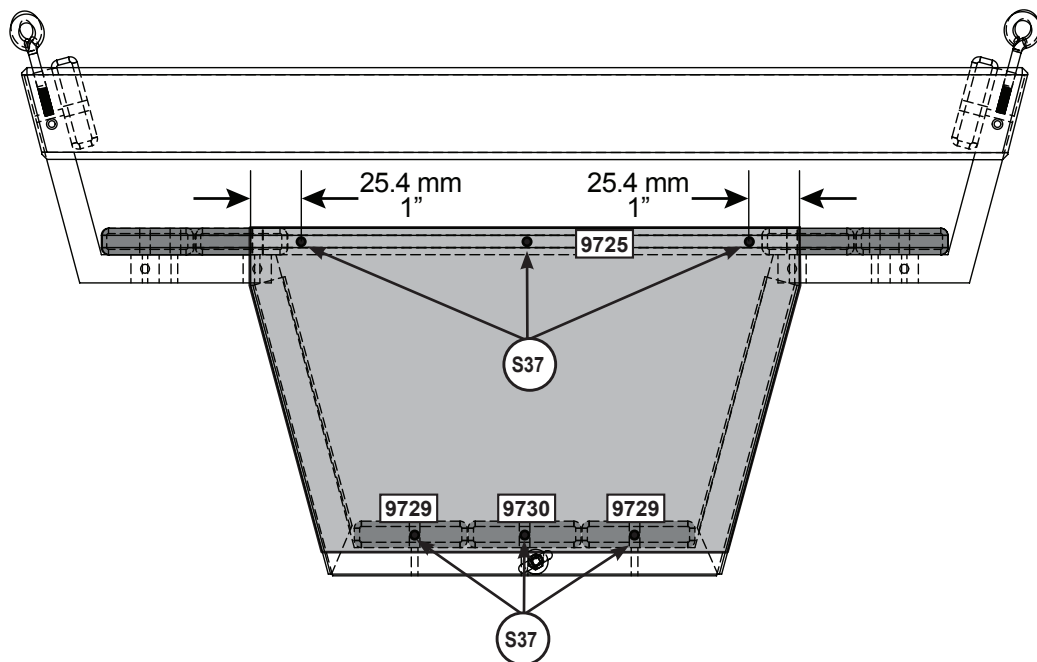
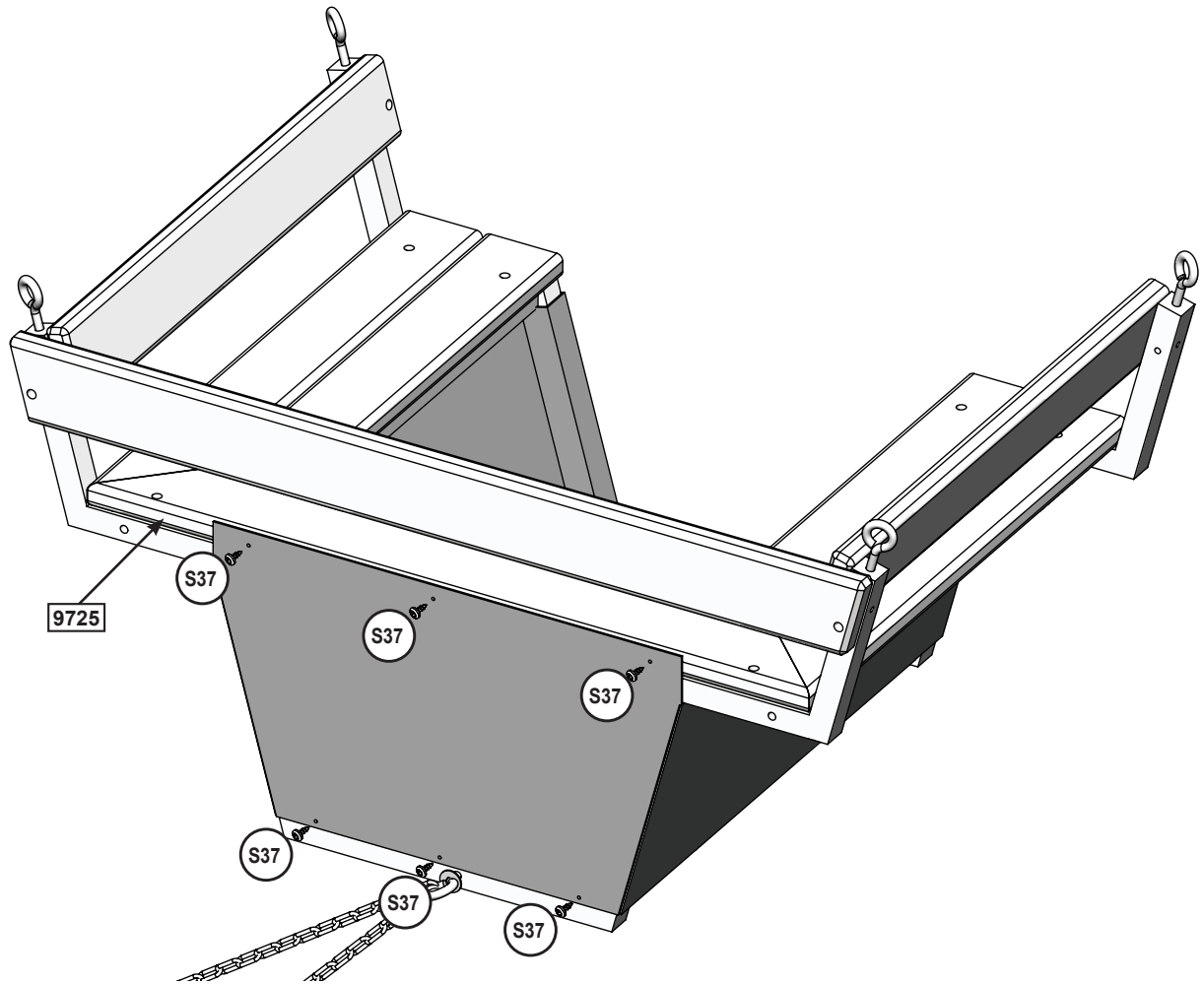
Other Parts

1 x **3759190**

Step 76



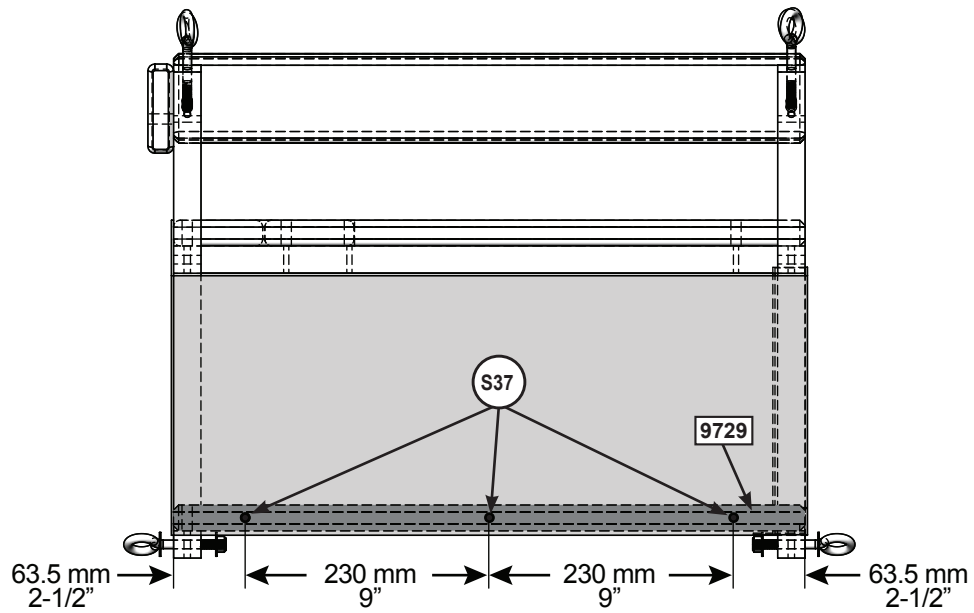
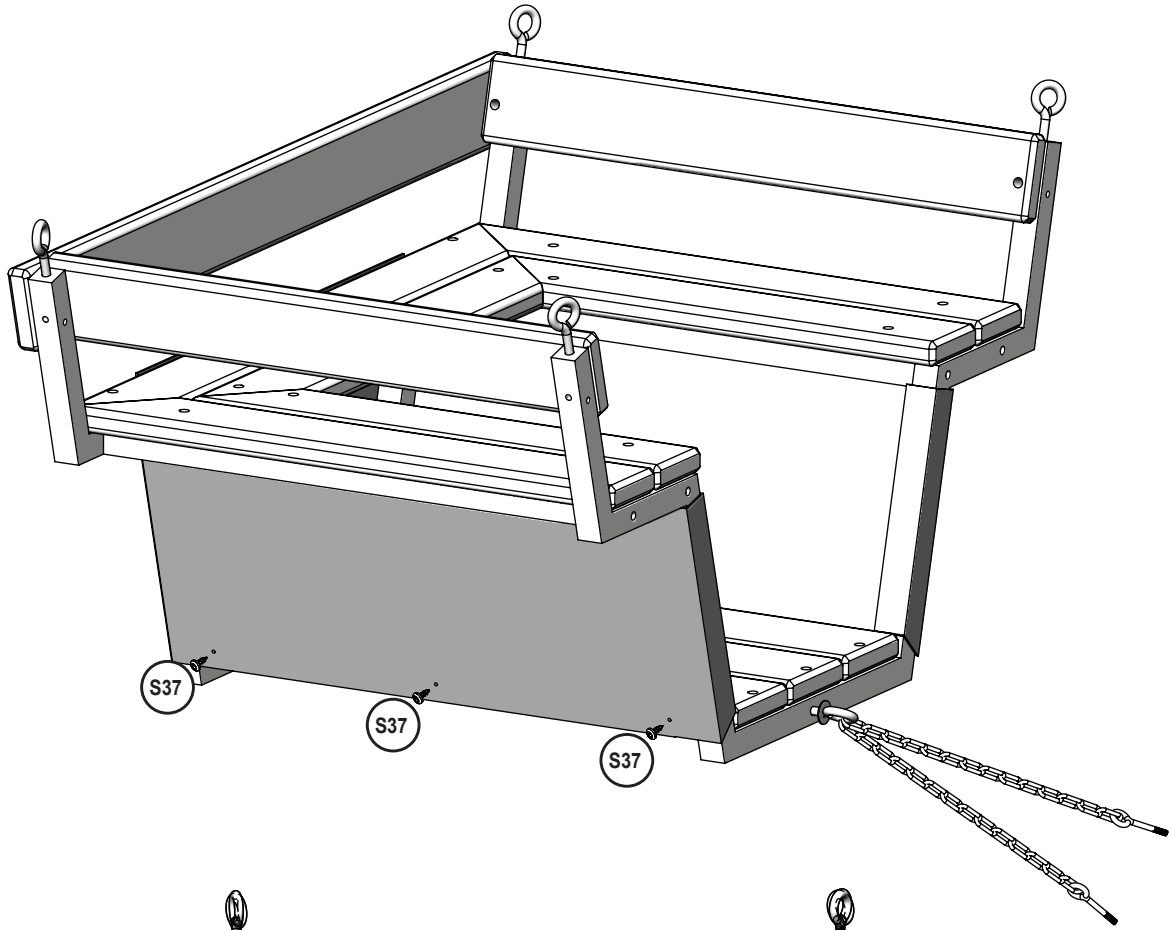
Step 77



Hardware

6 x #7 x 15.87mm (#7 x 5/8")

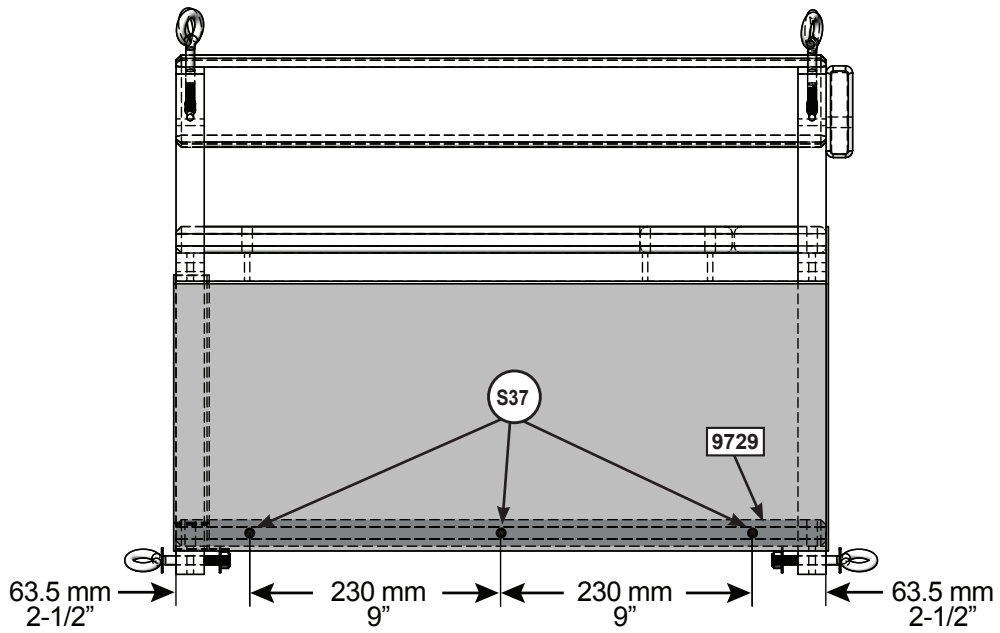
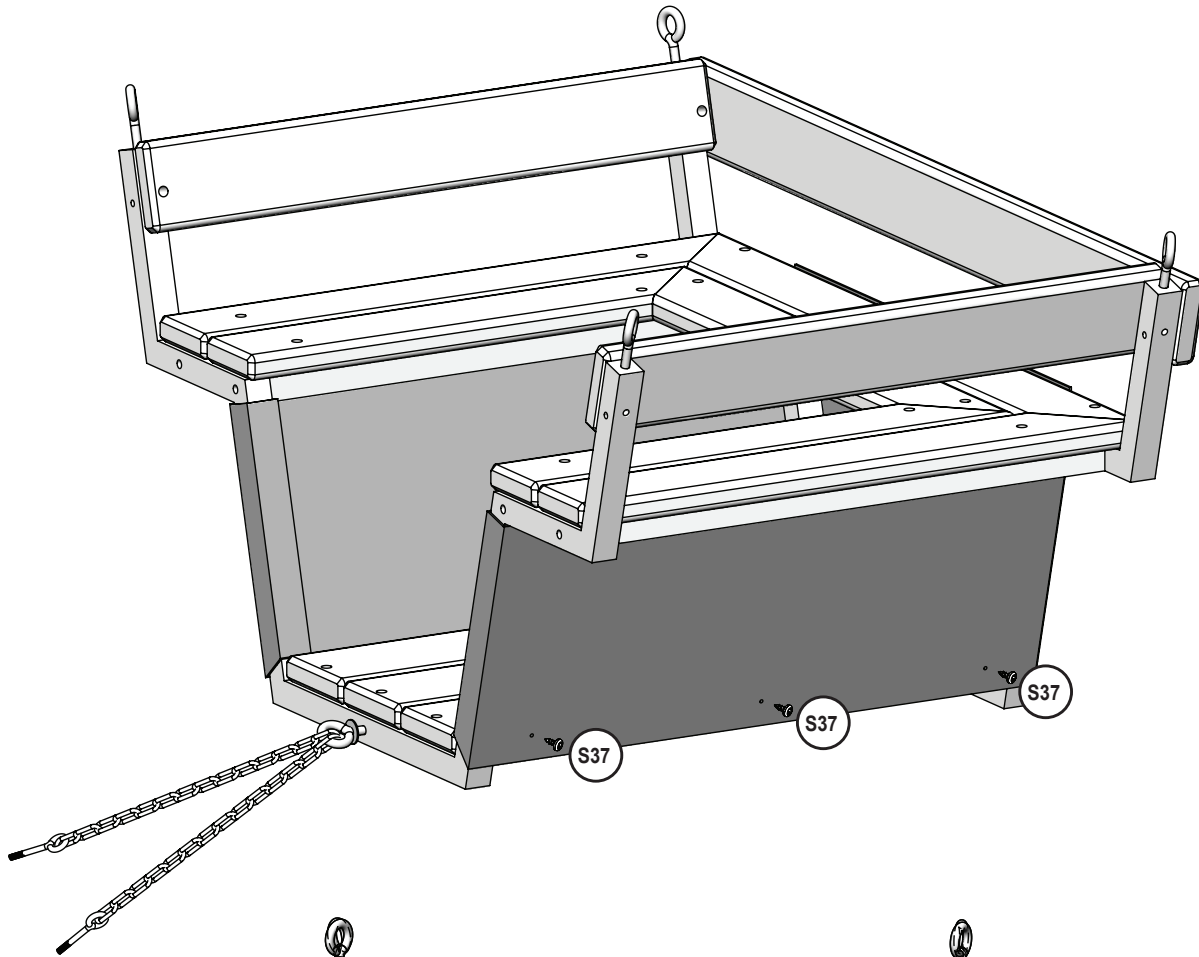
Step 78



Hardware

3 x (S37) #7 x 15.87mm (#7 x 5/8")

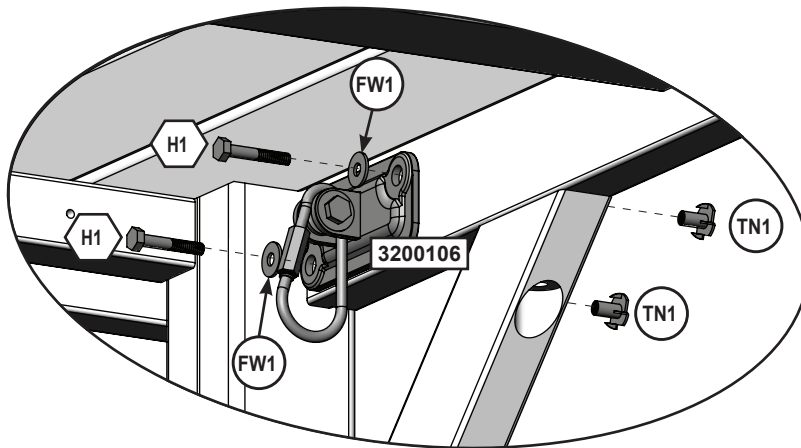
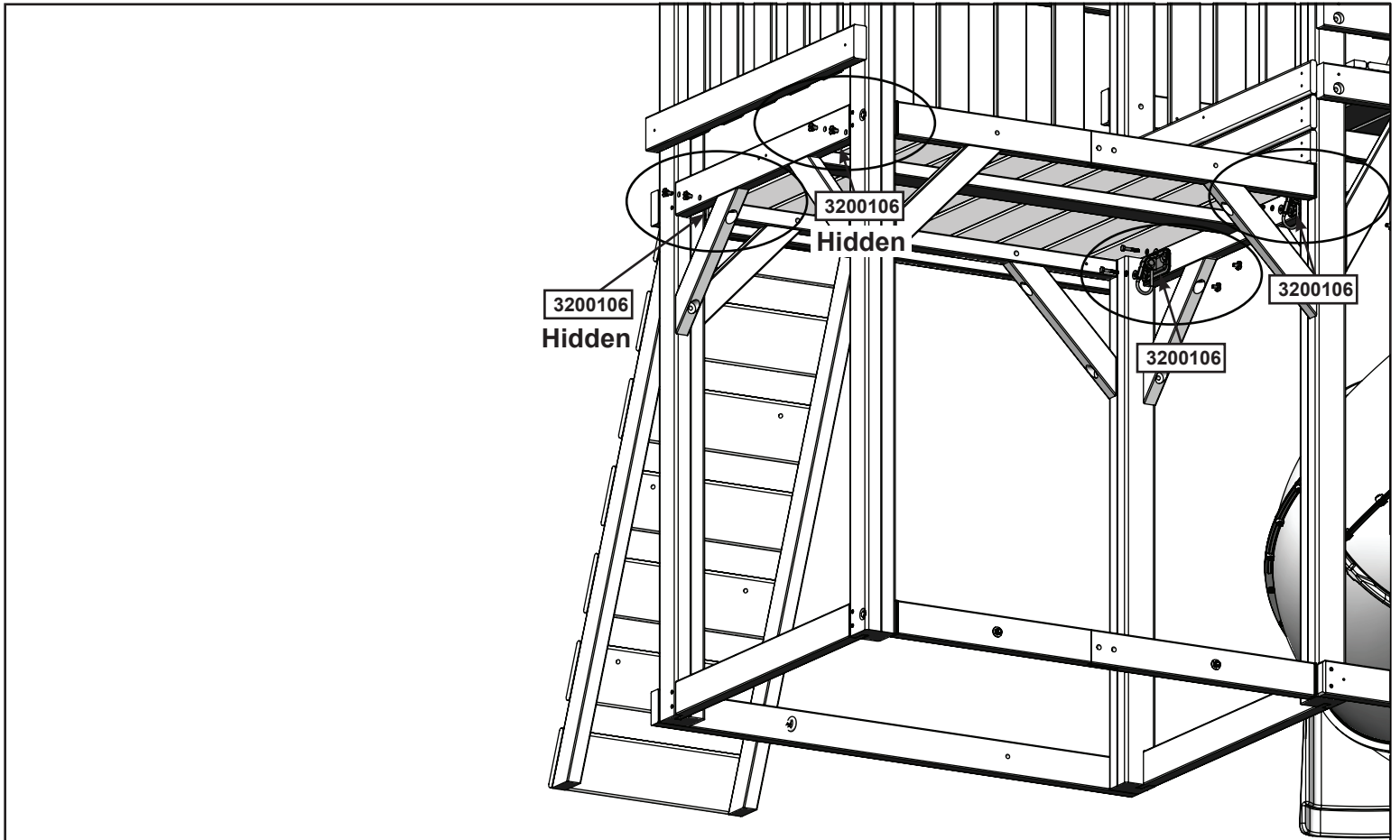
Step 79



Hardware

3 x (S37) #7 x 15.87mm (#7 x 5/8")


Step 80



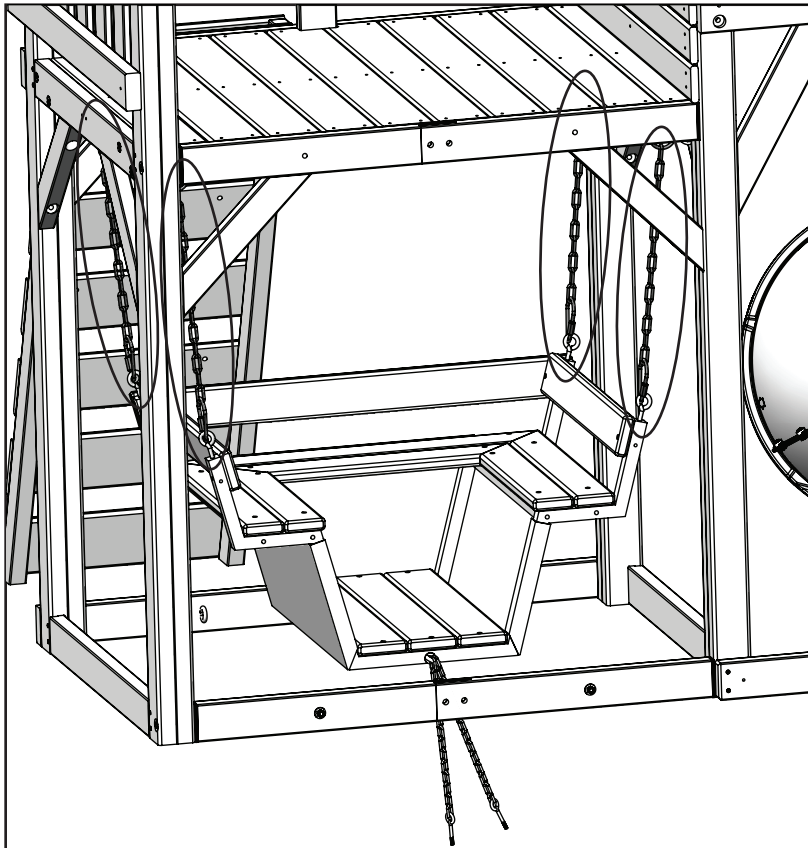
Hardware

8 x  6.4mm x 38.1mm (1/4 x 1-1/2") (FW1, TN1)

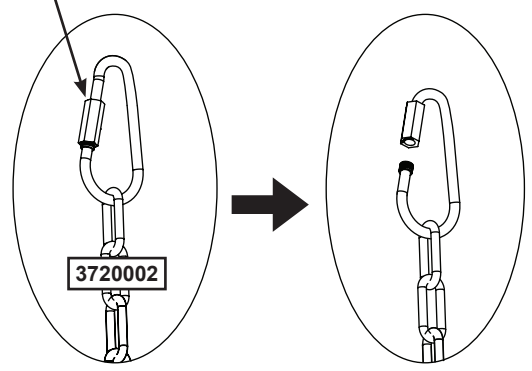
Other Parts

1 x 

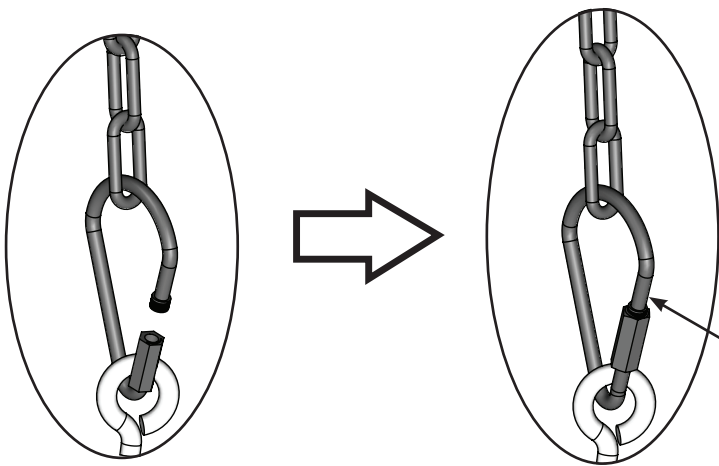
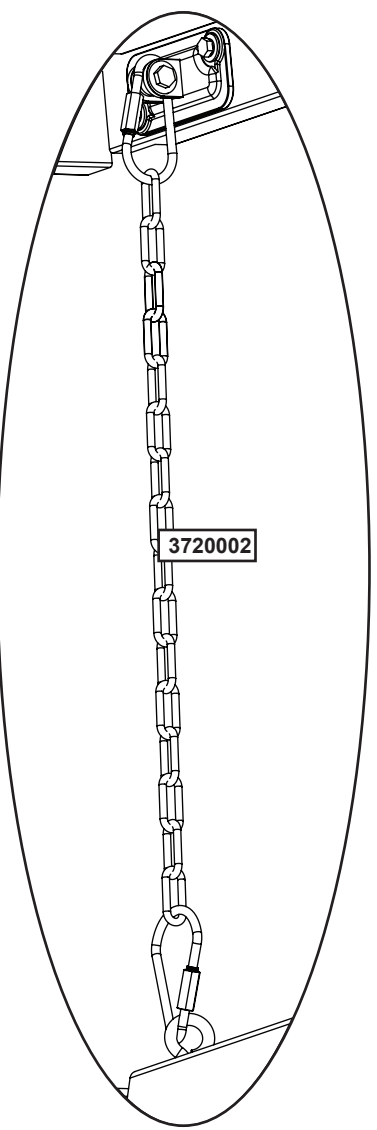
Step 81



Quick Link
Tighten Threaded Quick Link using adjustable wrench



Caution: Threaded Quick Links must be installed with the gate completely down covering the threads and tighten as instructed.

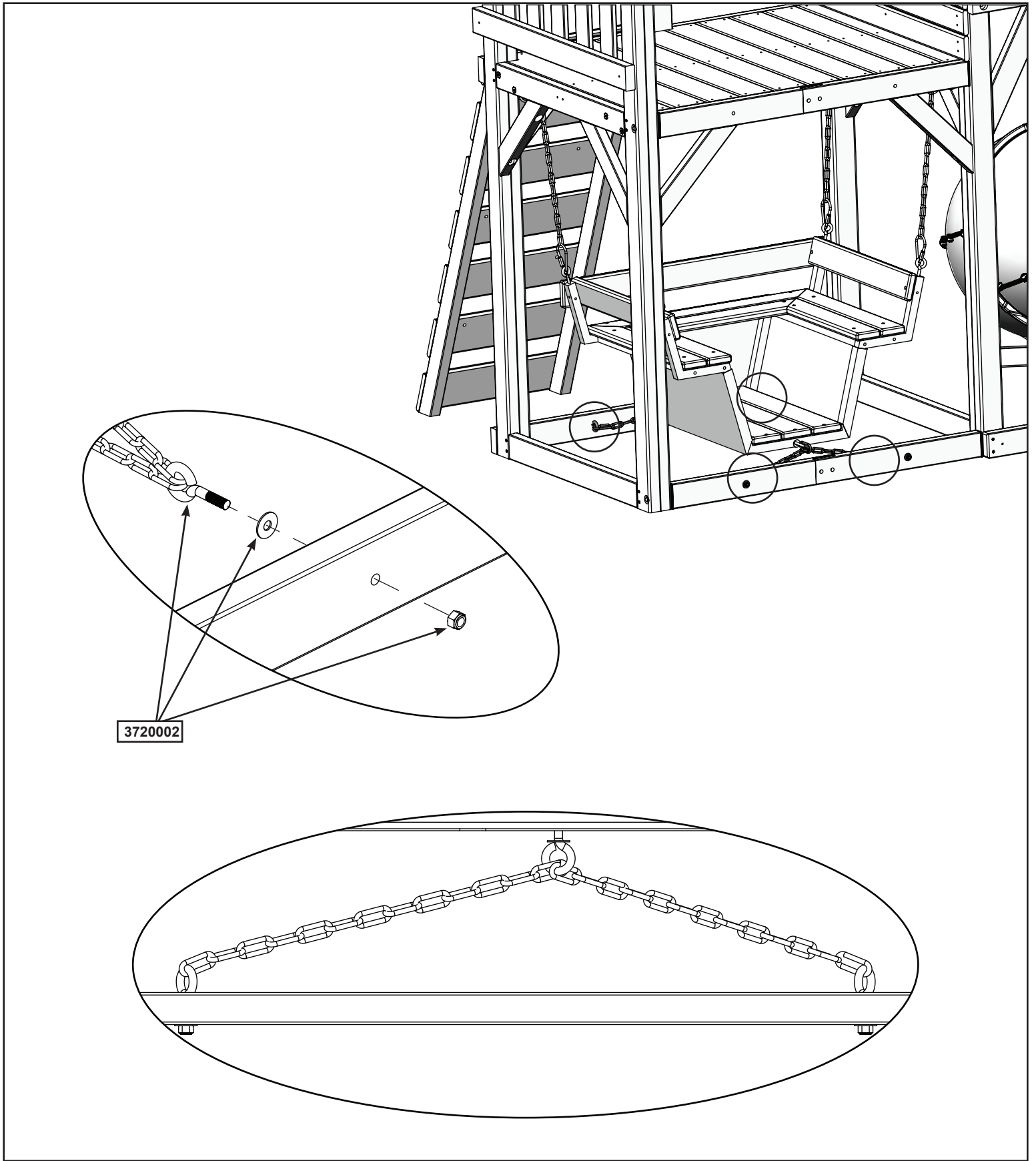


Threaded Quick Links attach to chat swing and the fort.

Tighten Threaded Link using adjustable wrench

Quick Link

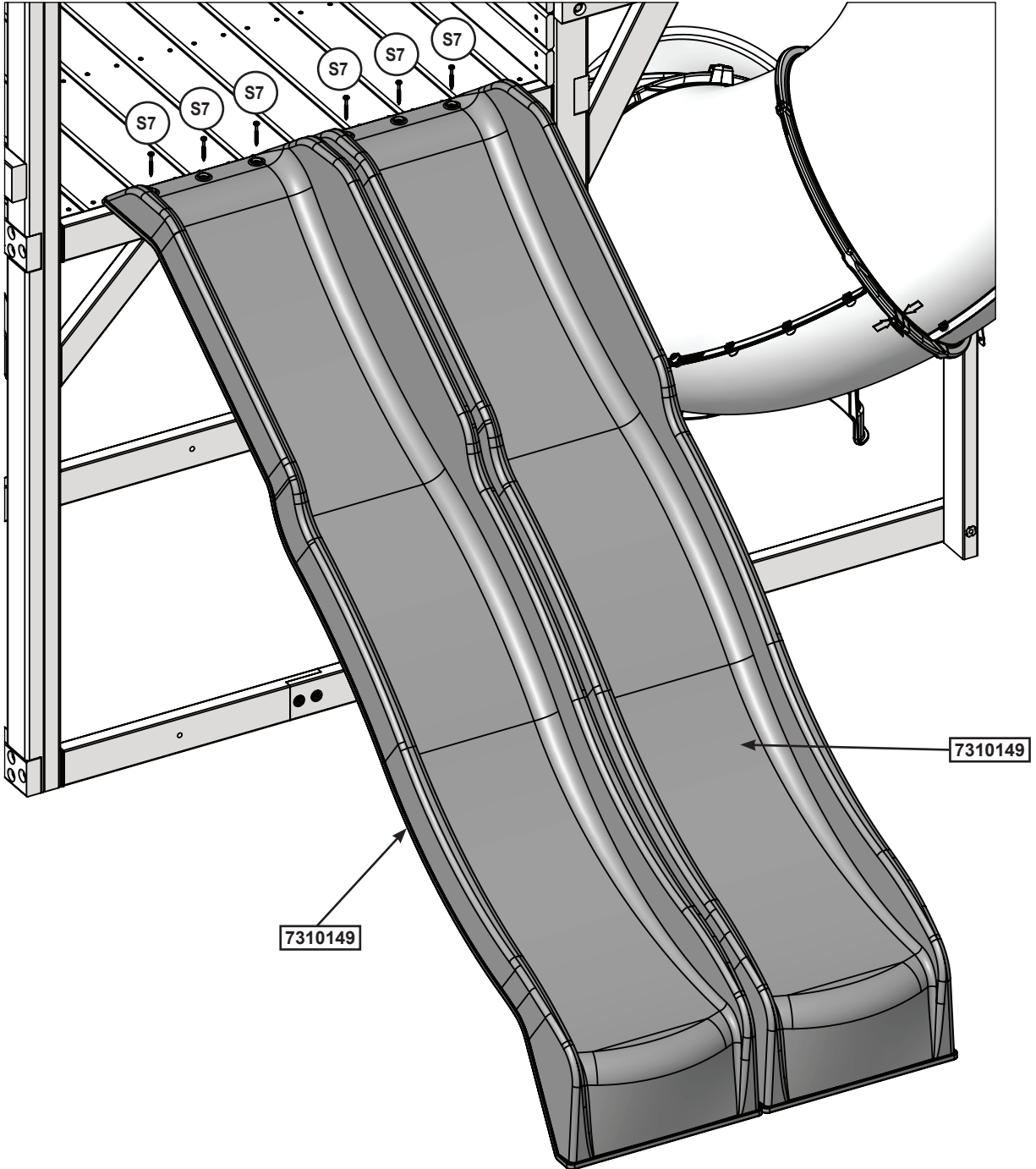
Step 82



Step 83



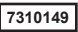
Note: Pre-drill all holes using a 1/8" drill bit before installing the S7 screws.



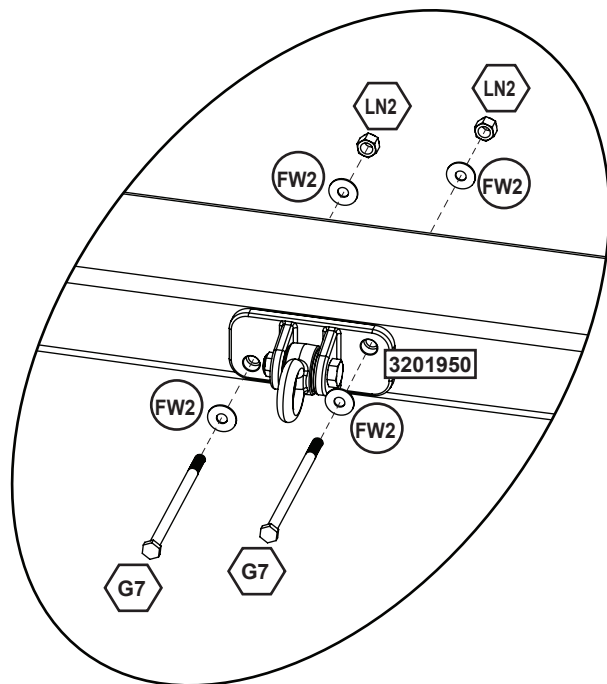
Hardware

6 x  #12 x 50.8mm (#12 x 2")

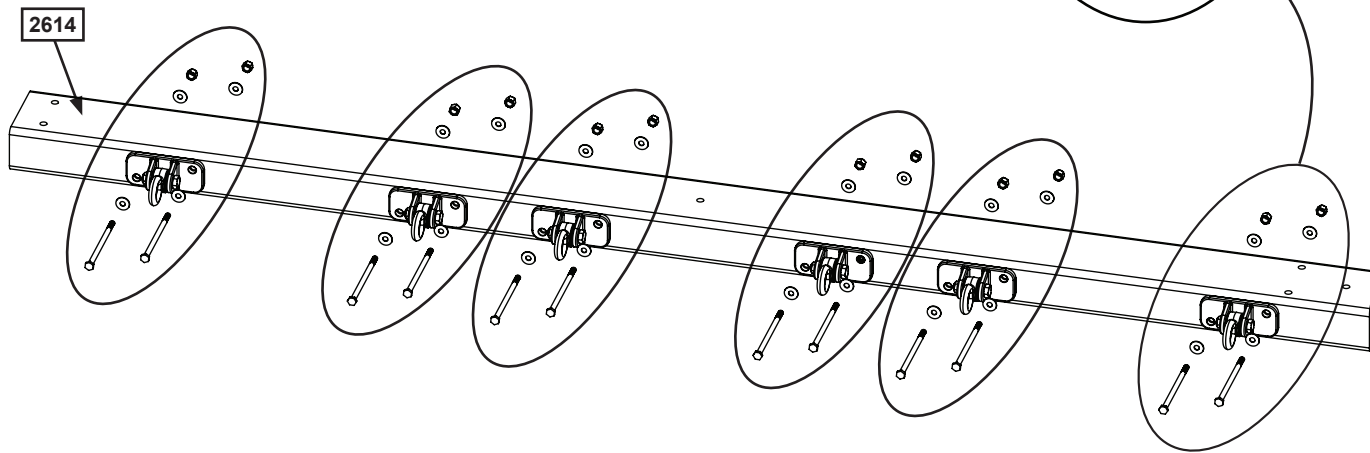
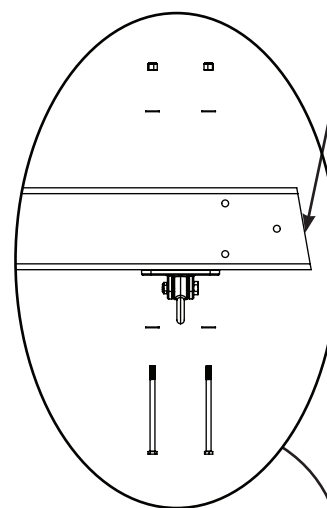
Other Parts

2 x 

Step 84



Notice Angle Orientation



Wood Parts

1 x **2614** 76.2 x 133.4 x 2235.2 mm (3" x 5-1/4" x 88")

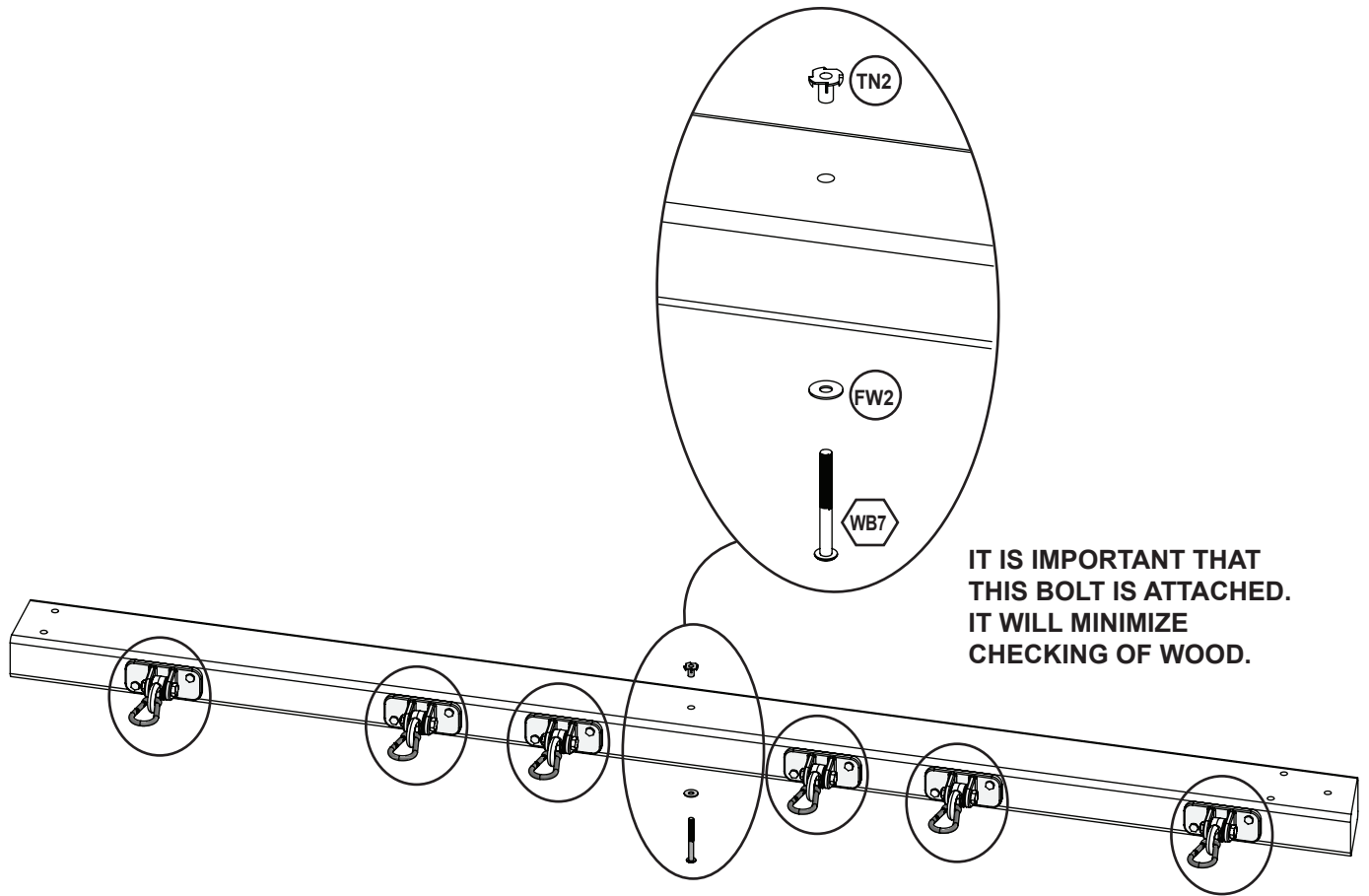
Hardware

12 x **G7** 7.9mm x 139.7 mm (5/16 x 5-1/2") (LN2, 2 x FW2)

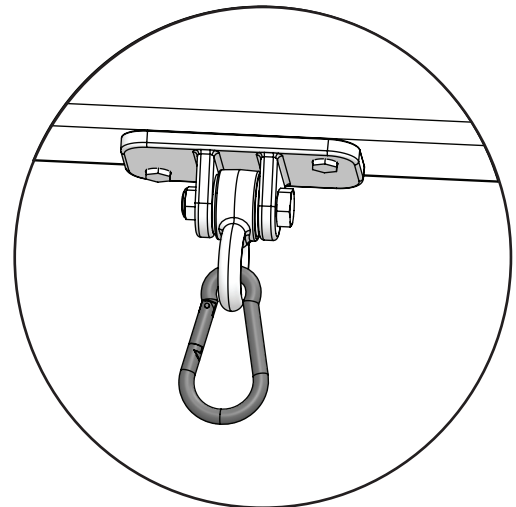
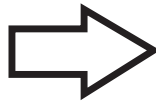
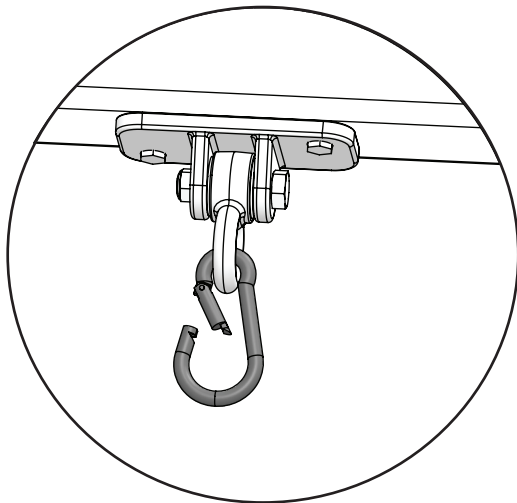
Other Parts

1 x **3201950**

Step 85



IT IS IMPORTANT THAT THIS BOLT IS ATTACHED. IT WILL MINIMIZE CHECKING OF WOOD.

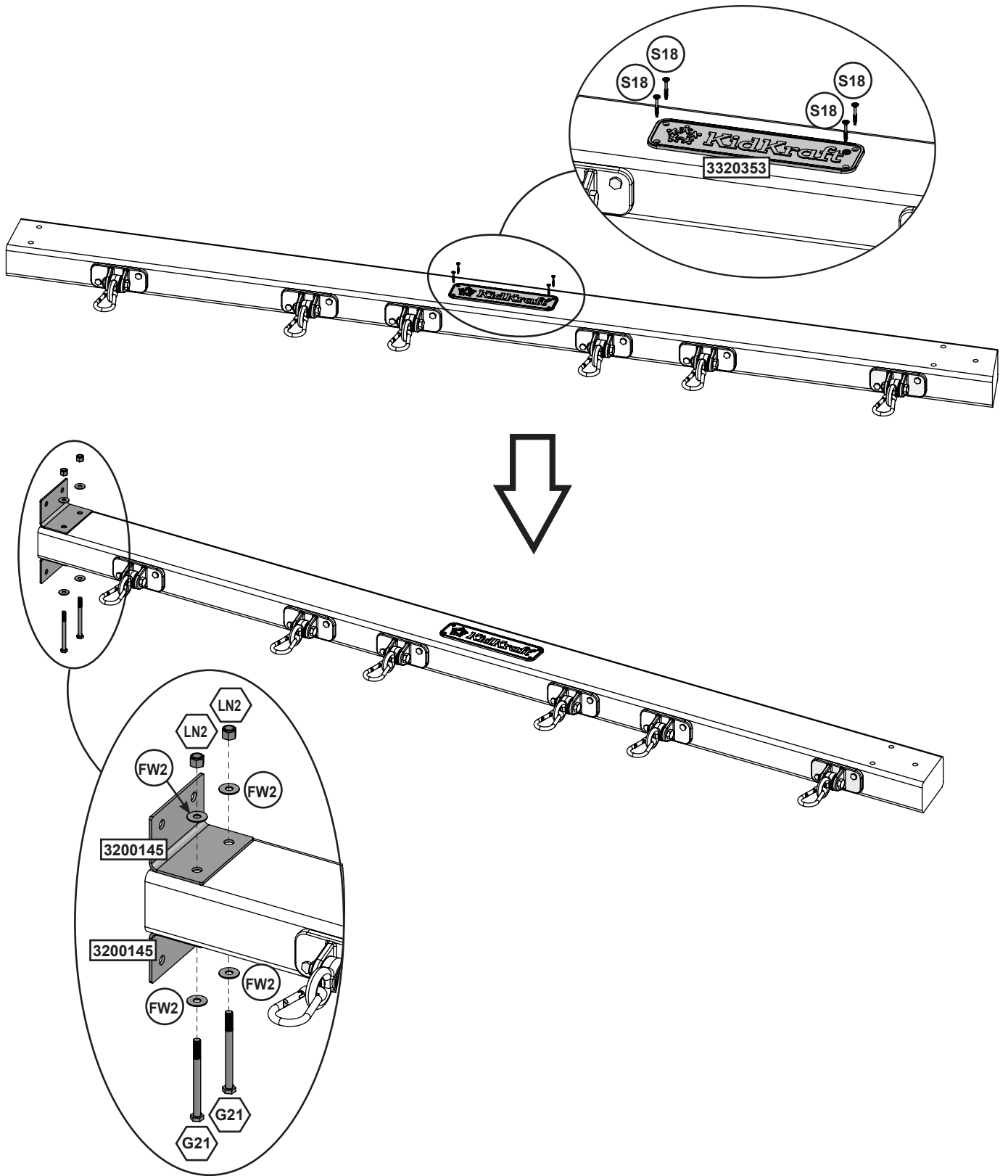


Caution: The Spring Loaded Quick Link must be attached to the Heavy Duty Swing Hanger in the closed position.

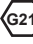

Hardware

1 x  7.9mm x 76.2mm (5/16 x 3") (FW2 , TN2)

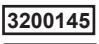

Step 86



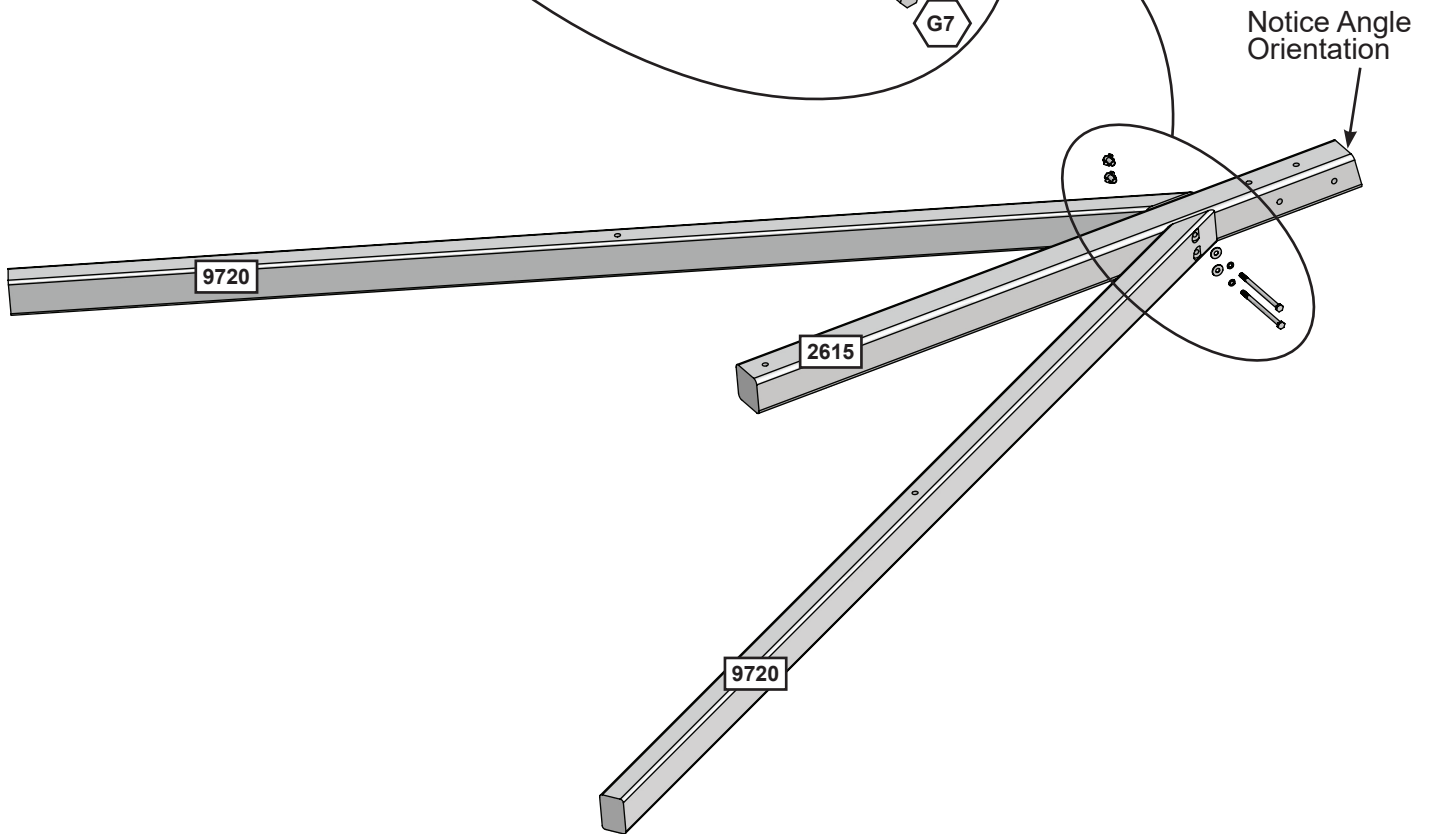
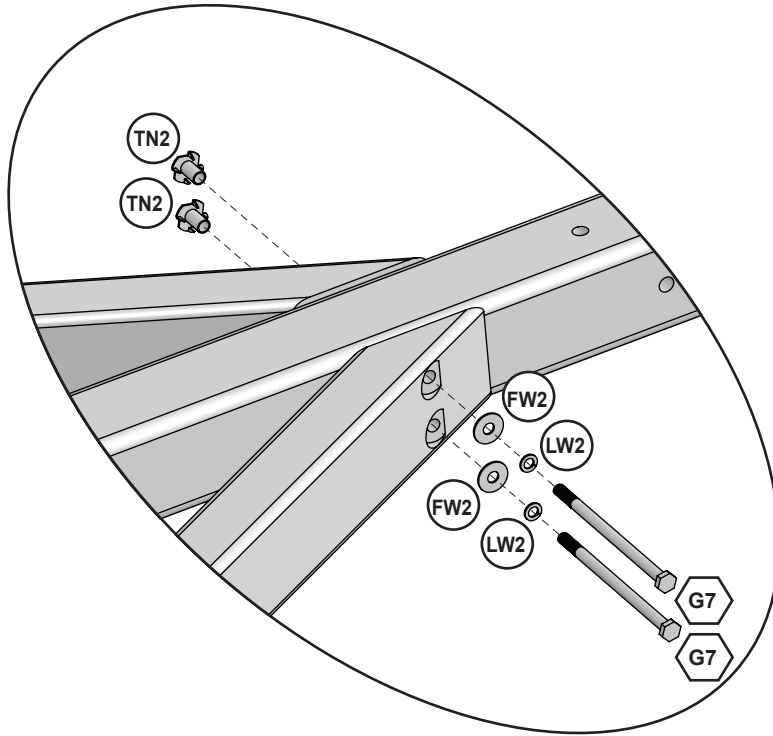
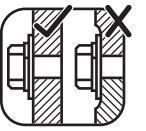
Hardware

- 2 x  7.9mm x 95 mm (5/16 x 3-3/4") (LN2, 2 x FW2)
- 4 x  #6 x 25.4mm (#6 x 1")

Other Parts

- 1 x  3200145
- 1 x  3320353

Step 87



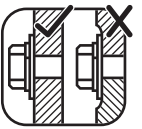
Wood Parts

- 2 x 9720 50.8 x 76.2 x 2063.9 mm (2" x 3" x 81-1/4")
- 1 x 2615 76.2 x 76.2 x 1294.3 mm (3" x 3" x 50-15/16")

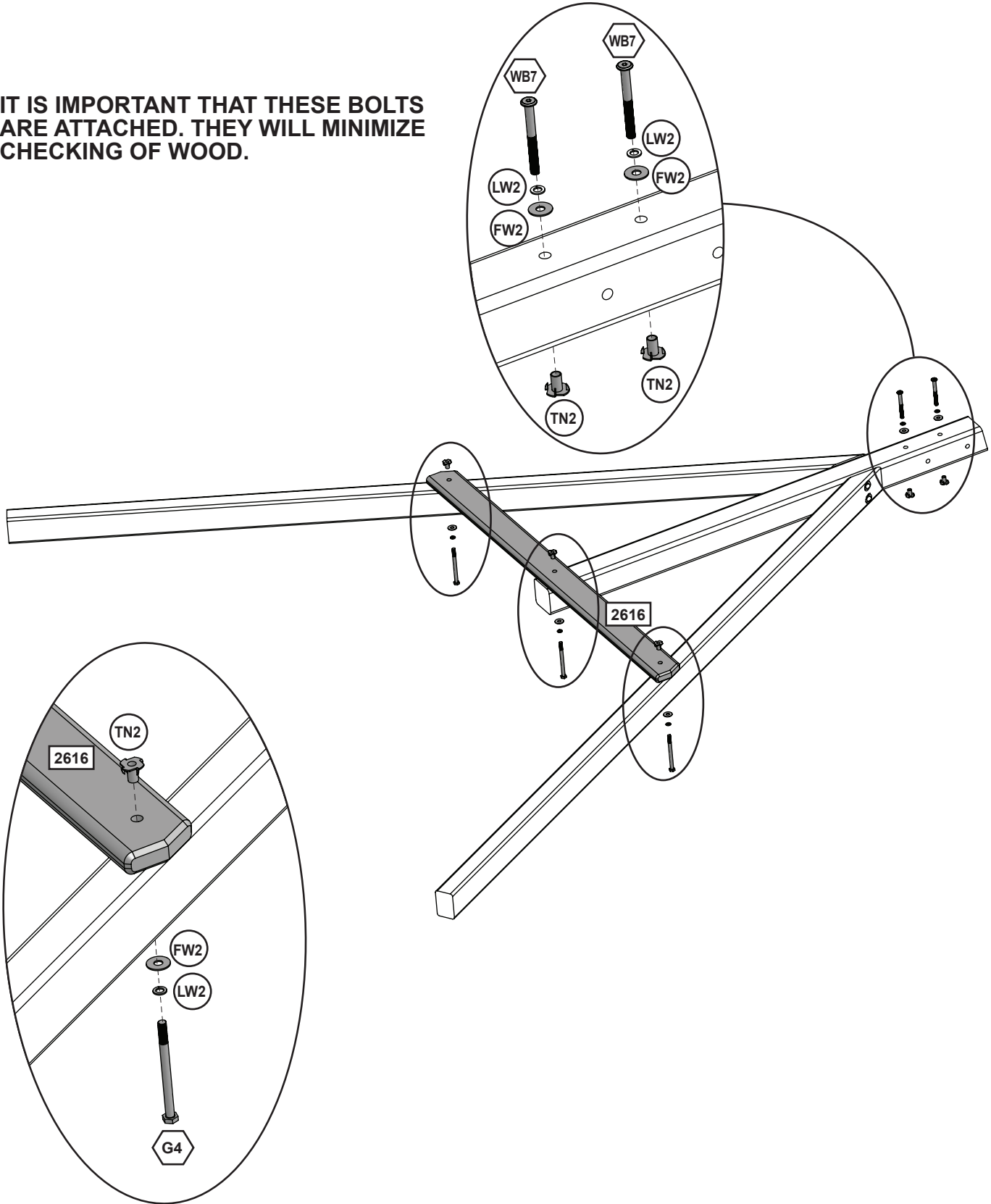
Hardware

- 2 x G7 7.9mm x 139.7 mm (5/16 x 5-1/2") (LW2,FW2,TN2)

Step 88



IT IS IMPORTANT THAT THESE BOLTS ARE ATTACHED. THEY WILL MINIMIZE CHECKING OF WOOD.



Wood Parts

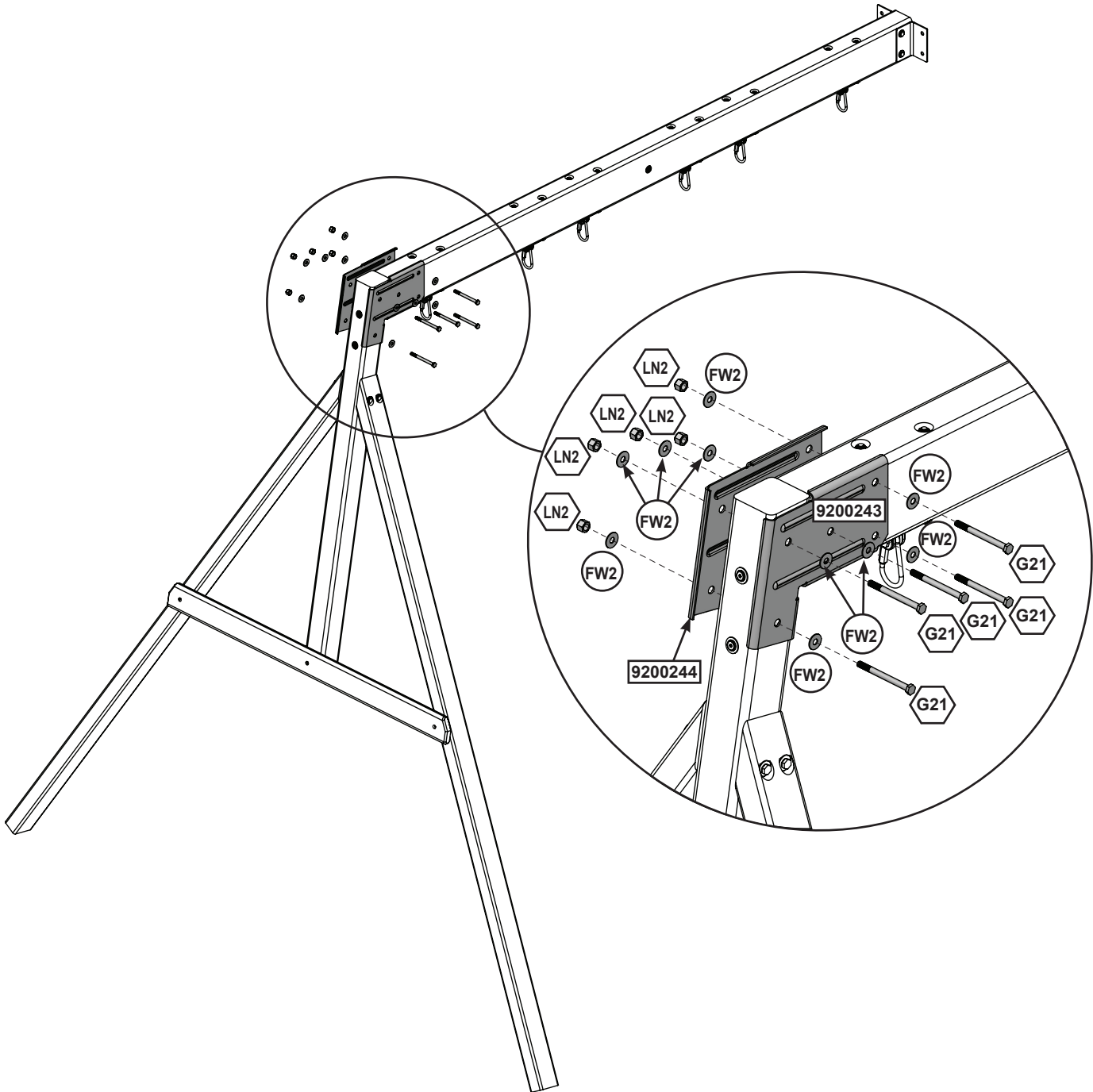
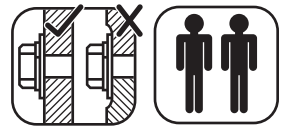
1 x **2616** 23.8 x 82.6 x 1181.1mm (15/16" x 3-1/4" x 46-1/2")

Hardware

3 x **G4** 7.9mm x 101.6mm (5/16 x 4") (LW2,FW2,TN2)

2 x **WB7** 7.9mm x 76.2mm (5/16 x 3") (LW2,FW2,TN2)

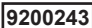
Step 89

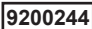


Hardware

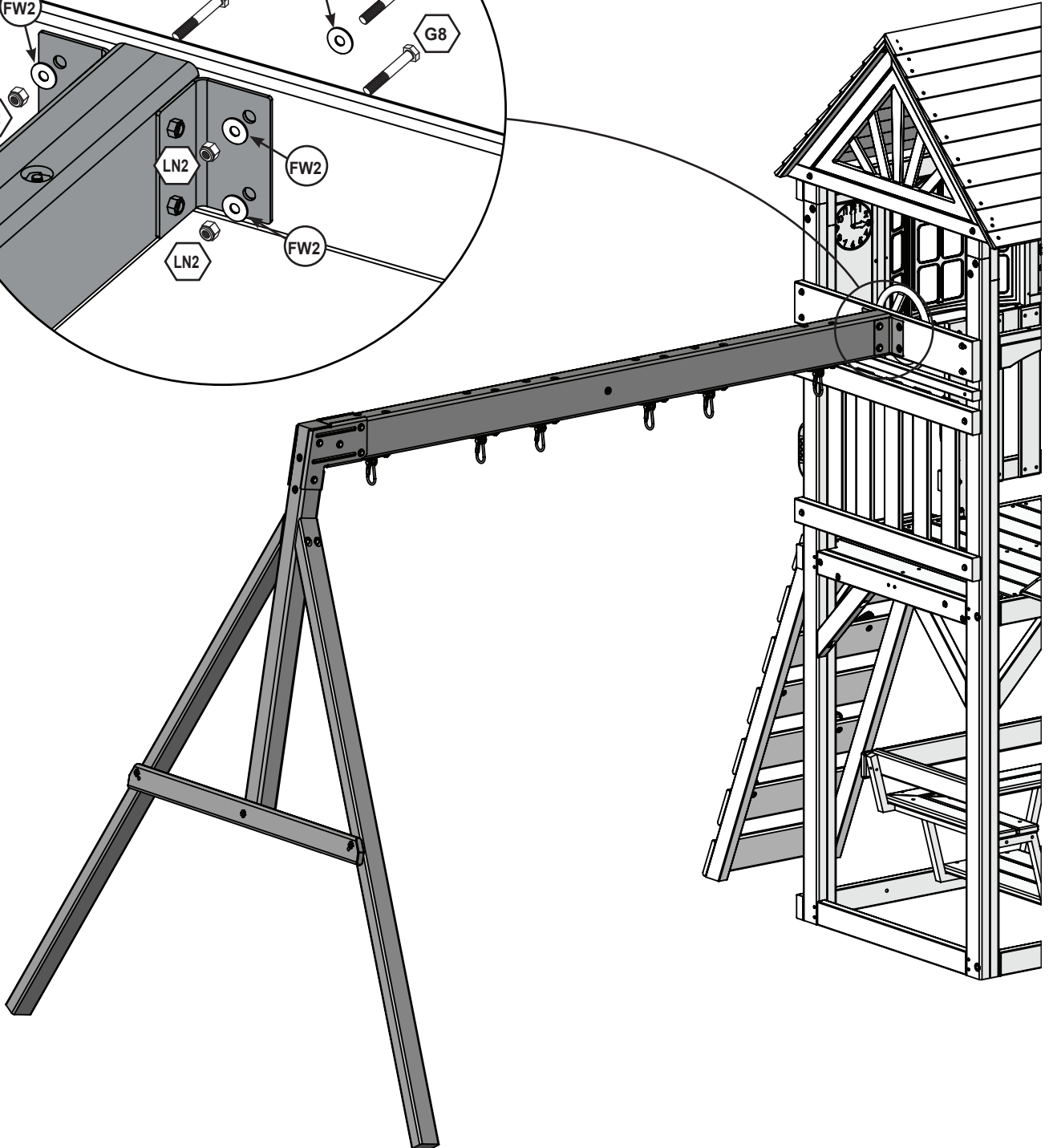
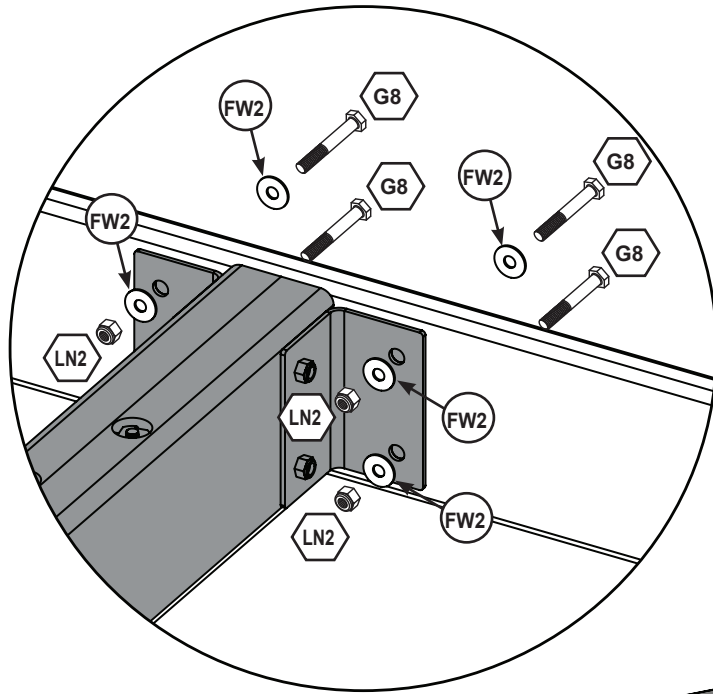
5 x  7.9mm x 95 mm (5/16 x 3-3/4") (LN2, 2 x FW2)

Other Parts


1 x 

1 x 

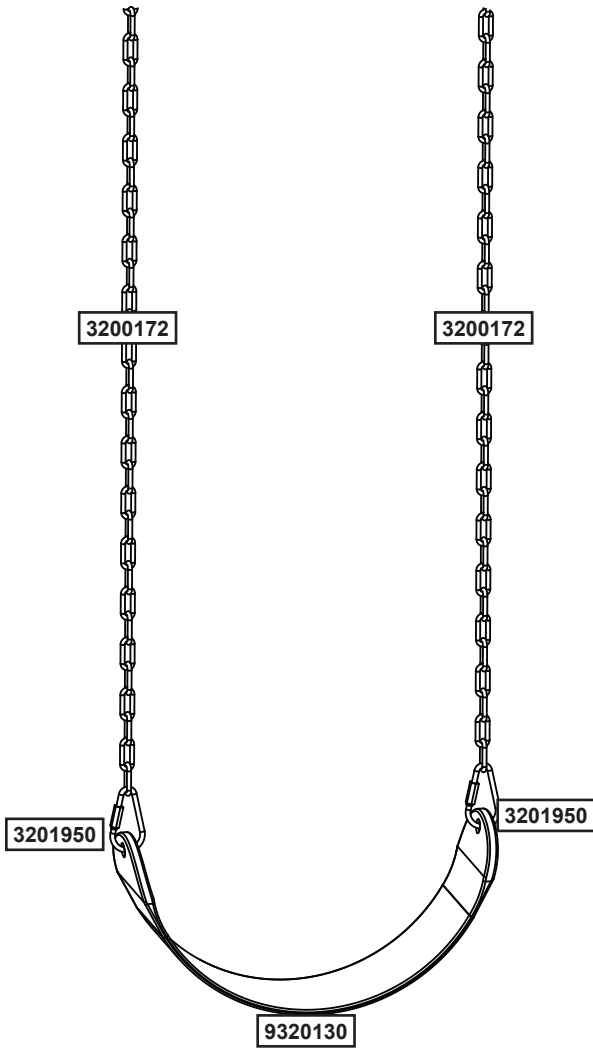
Step 90



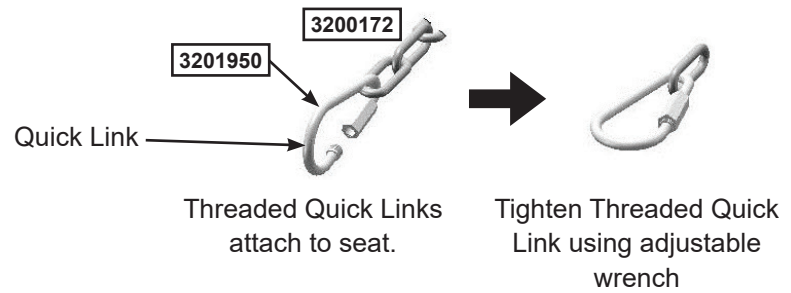
Hardware

4 x  7.9mm x 50.8 mm (5/16 x 2") (LN2, 2 x FW2)

Step 91 x 2



Caution: Threaded Quick Links must be installed with the gate completely down covering the threads and tighten as instructed.

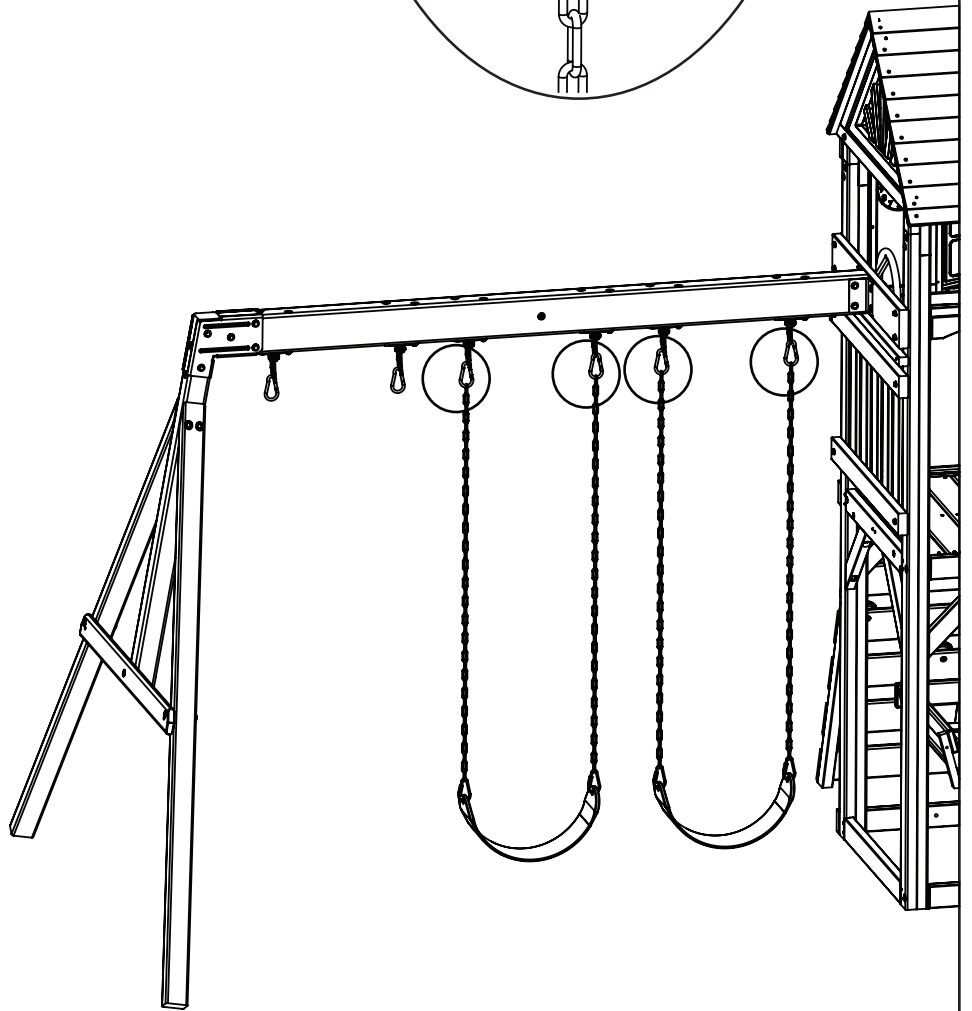
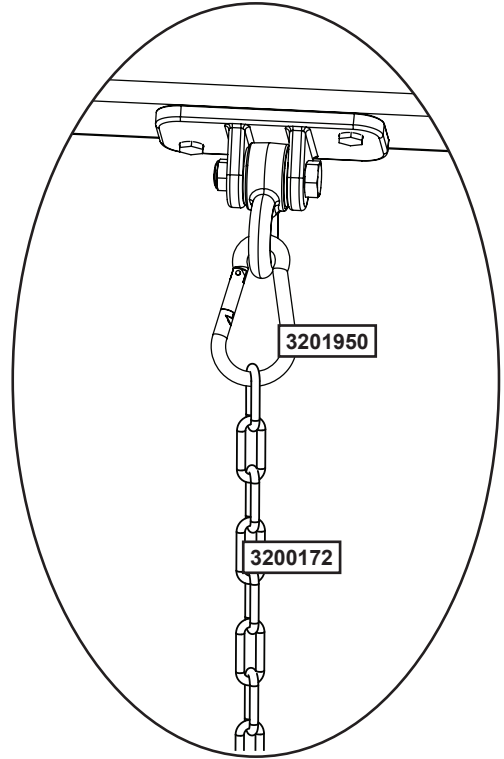
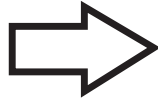
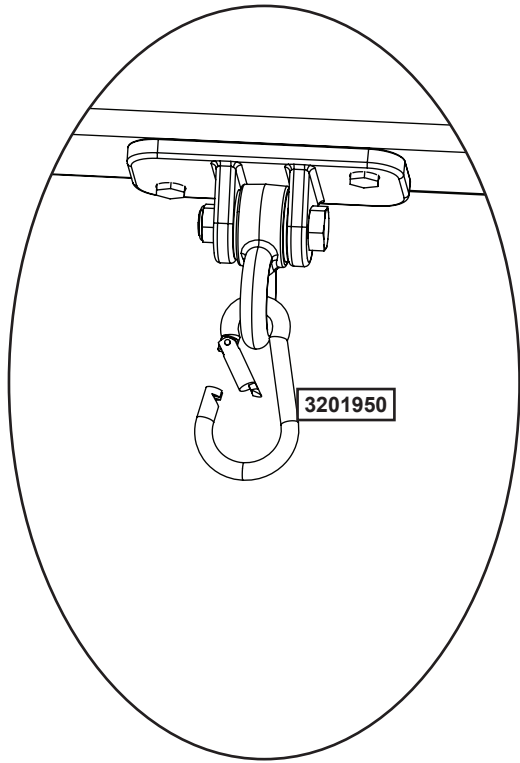


Other Parts

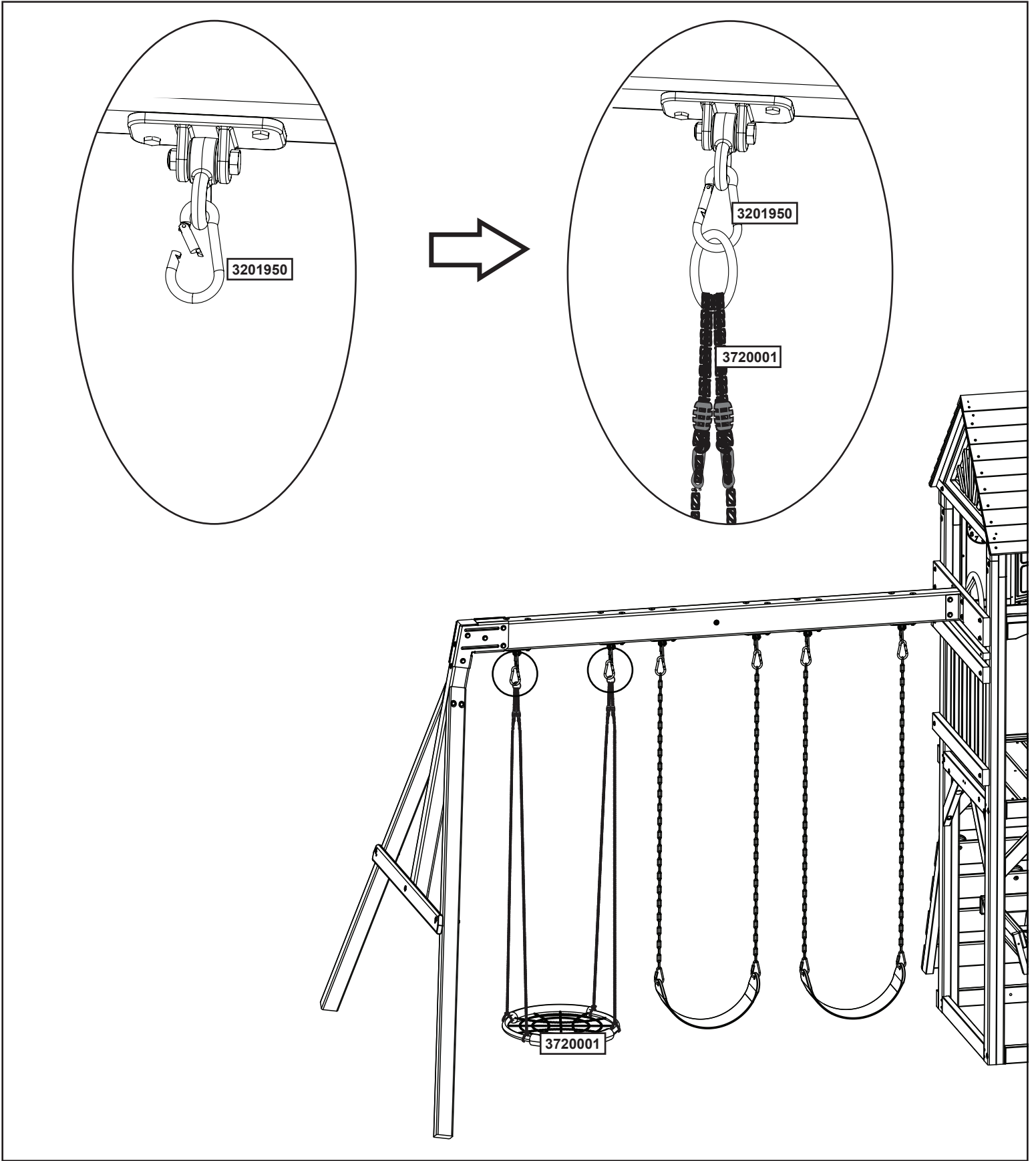
2 x 9320130

4 x 3200172

Step 92

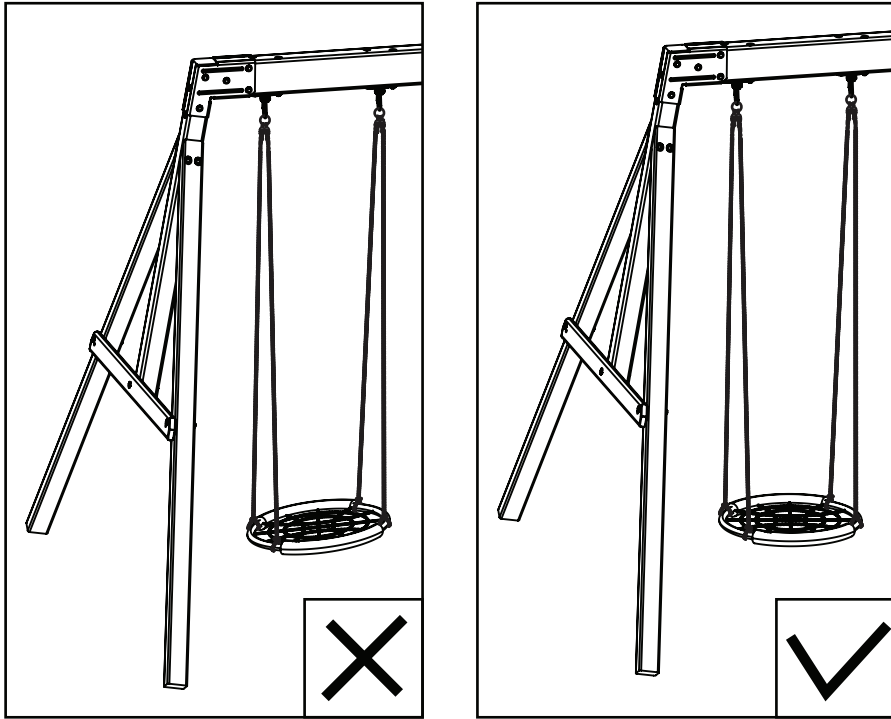
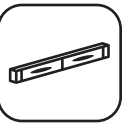


Step 93



Other Parts
1 x 3720001

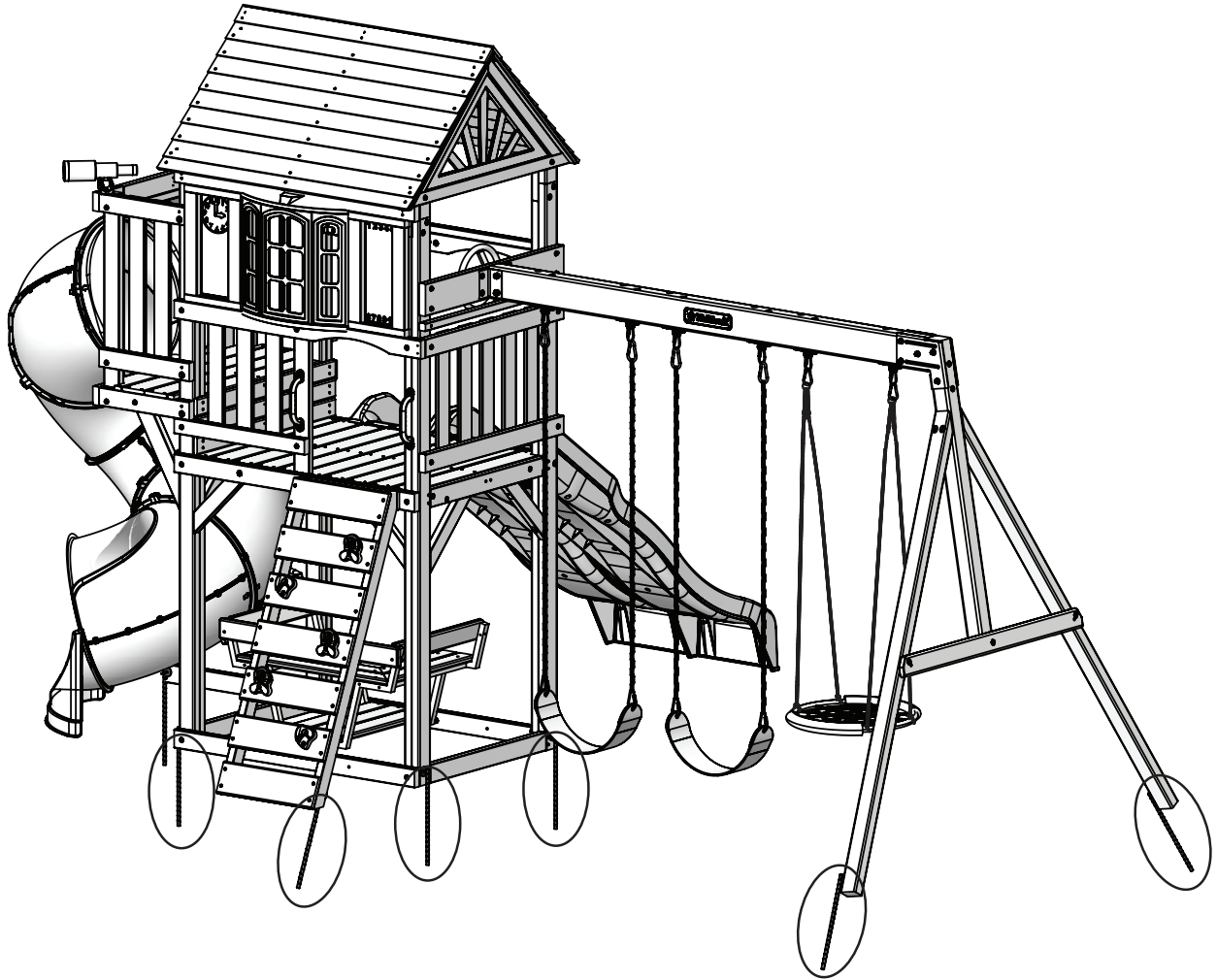
Step 94



Adjust swing ropes as needed to ensure that swing is level.

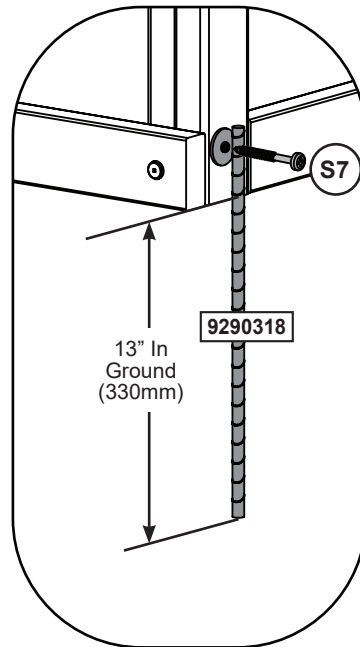


Step 95




Warning! To prevent tipping and avoid potential injury, stakes must be driven 13" (330mm) into ground. Digging or driving stakes can be dangerous if you do not check first for under-ground wiring, cables or gas lines.

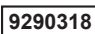
SEE FRONT COVER FOR SAFETY CLEARANCE



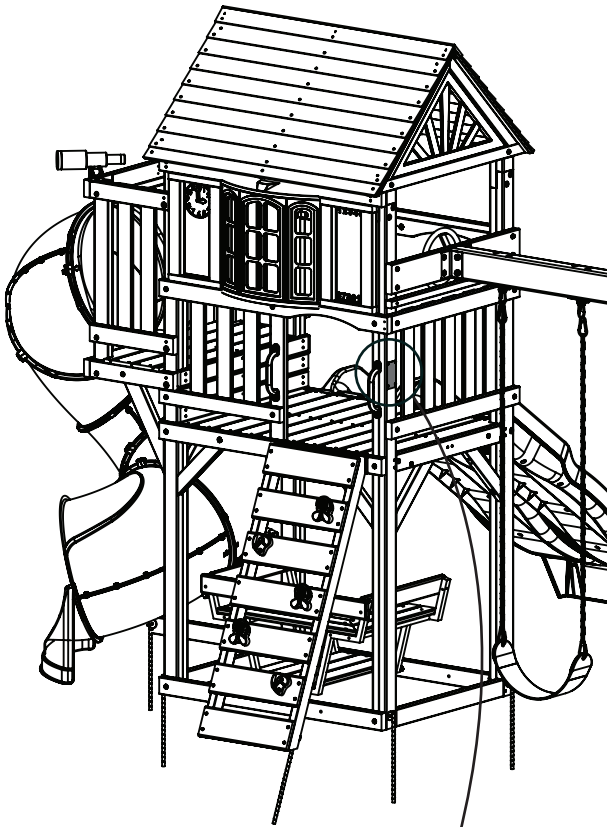
Hardware

6 x  #12 x 50.8 mm (#12 x 2")

Other Parts

6 x 

Step 96



ATTACH THIS WARNING & I.D. PLAQUE TO THIS LOCATION ON YOUR PLAY EQUIPMENT!

This provides warnings concerning safety and important contact information. A Tracking Number is provided to allow you to get critical information or order replacement parts for this specific model.

⚠ WARNING
⚠ AVERTISSEMENT

CONTINUOUS ADULT SUPERVISION REQUIRED!

STRANGULATION HAZARDS
 Never allow children to play with ropes, clotheslines, pet leashes, cables, chains or cord-like items when using this playset or to attach these items to play-set.
 Never allow children to wear loose fitting clothing, ponchos, hoods, scarves, capes, necklaces, or items with draw-strings, cords or ties when using this play-set.
 Never allow children to wear bike or sport helmets when using this play-set.
 Failure to prohibit these items increases the risk of serious injury and death to children from entanglement and strangulation.

SERIOUS HEAD INJURY HAZARD
 Maintain shock absorbing material under and around play-set as recommended in the Installation & Operating Instructions. Installation over concrete, asphalt, dirt, grass, carpet and other hard surfaces creates a risk of serious injury or death from falls to the ground.

SURVEILLANCE CONSTANTE D'ADULTES EST REQUIS!

Risques D'étranglement
Ne jamais laisser les enfants jouer avec des cordes, cordes à linge, laisses pour animaux, des câbles, des chaînes ou ces type articles pendant de l'utilisation de cet portique de jeu ou à l'attaché de ces éléments à la portique de jeu.
Ne jamais laissez les enfants de porter des vêtements amples, des ponchos, des hottes, des foulards, capes, des colliers ou des articles avec cordes attirant ou les cordons pendant l'utilisation de cet portique de jeu.
Ne jamais laissez les enfants porter un casque de vélo ou de sport quand ils utilisent ce portique de jeu.
 Défaut d'interdire ces éléments augmente le risque de blessures graves et de décès des enfants de enchevêtrement et d'étranglement.

RISQUE DE BLESSURES GRAVES DU TÊTE
 Maintenir le matériau absorbant les chocs sous et autour de la portique de jeu comme recommandé dans les Instructions D'installation. Installation sur béton, de l'asphalte, sol, de l'herbe, tapis et autres surfaces dure crée un risque de blessure à la tête graves ou la mort causé par tomber à la sol.

THIS PRODUCT IS INTENDED FOR USE BY CHILDREN FROM AGES 3 TO 10; weight limit of 110 lbs. per child. Maximum number of users, Installation & Operating Instructions; other information is available at:
 POUR LES ENFANTS DE 3 À 10 ANS D'ÂGE; limite de 110 Livres par enfant. Nombre maximum d'utilisateurs, installation et d'utilisation; d'autres informations sont disponibles sur:

www.KidKraft.com
 Contact us at: KidKraft
 Dallas, TX 75244 USA
 1-800-933-0771

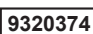
Tracking Number:
 Numéro de Suivi:

9320374

Hardware

4 x  #7 x 16 mm (#7 x 5/8")

Other Parts

1 x 

KIDKRAFT

Consumer Registration Card

First Name	Initial	Last Name

Street	Apt. No.

City	State/Province	ZIP/Postal Code

Country	Telephone Number

E-Mail Address

Model Name	Model Number	(Box Labels)

Serial Number (on ID Plaque)

Date Purchase	Purchased From
MM / DD / YY	

How would you rate this product for quality?

Excellent
 Very Good
 Average
 Below Average
 Poor

How would you rate this product for ease of assembly?

Excellent
 Very Good
 Average
 Below Average
 Poor

How would you rate our instructions?

Excellent
 Very Good
 Average
 Below Average
 Poor

How would you rate the quality of packaging?

Excellent
 Very Good
 Average
 Below Average
 Poor

Would you recommend the purchase of our products to friends and family?

Yes
 No

Comments:

MAIL TO:
 KidKraft
 4630 Olin Road
 Dallas, TX 75244
 United States
 Attention: Customer Service

Fill out your registration card online at
<https://prdregistration.kidkraft.com/>

KidKraft would like to say Thank You for
 your time and feedback.

