

HEMI 36 MATCH LIT **NG & LP**

Fire is beautiful and also dangerous if not handled properly. Please have a qualified gas fitter setup and install this product according to local codes.

This product has been tested and certified by Labtest Certification Inc. as being safe, as long as these **minimum clearances** to adjacent materials are maintained.

FOR OUTDOOR USE ONLY

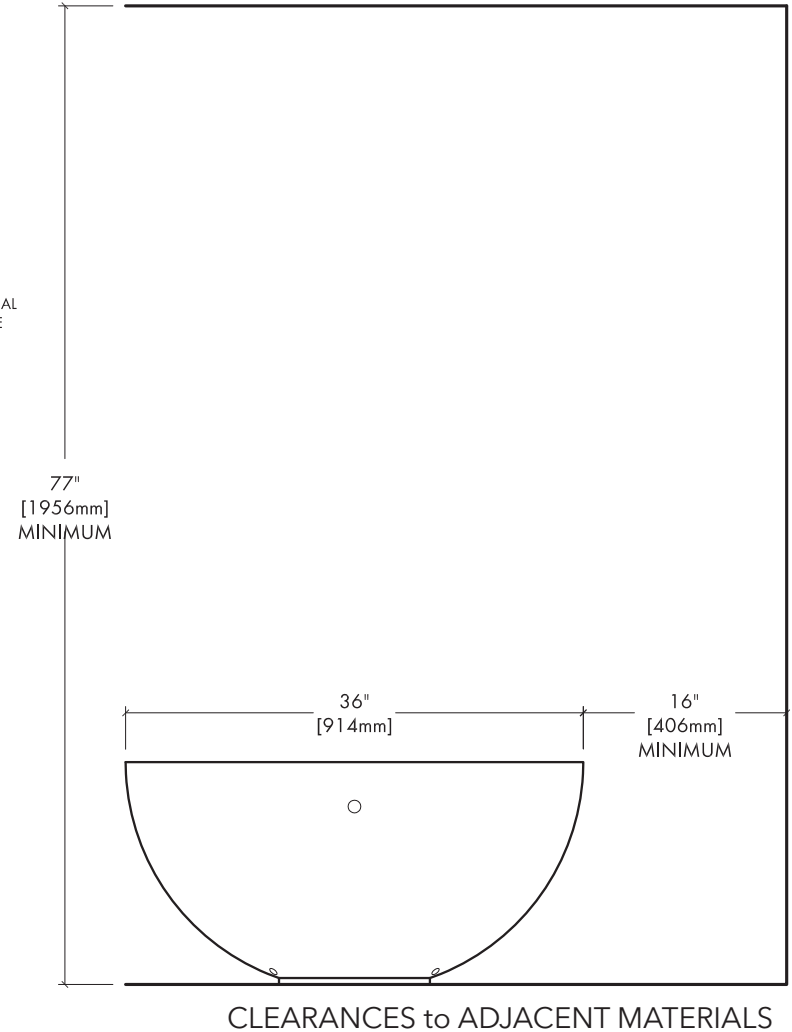
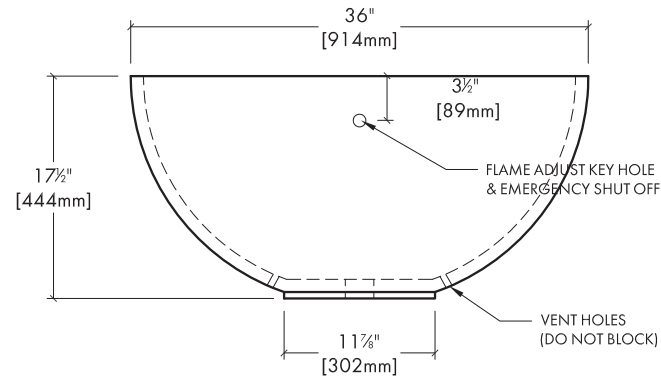
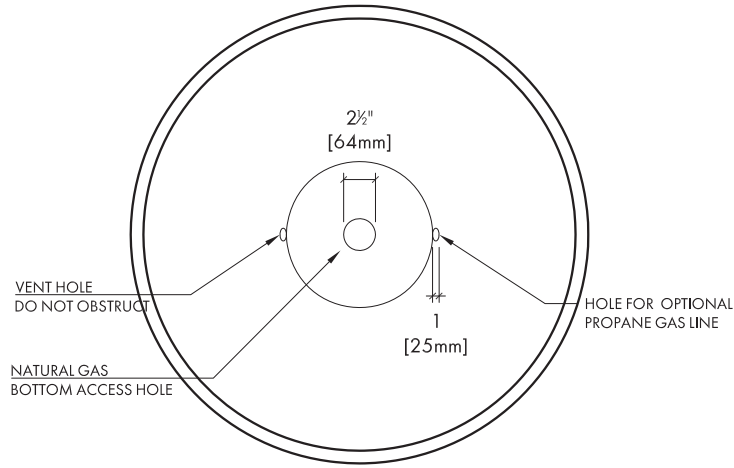
NORTH AMERICA SPECIFICATIONS

Gas type:	Natural Gas	Propane
Inlet press:	7.0" w.c.	11" w.c.
Manifold press:	5.8" w.c.	10.5" w.c.
Heat Output:	60,000 BTU	60,000 BTU

ANSI Z21.97-2014
CSA 2.17-2017 

CONCRETE SPECS

Strength: 10,000 psi (proprietary)
Weight: 156 lbs / 71 kg



ACCESSORIES

- 1/ All Weather Fabric Cover /extends warranty.
- 2/ Hardwood Table Top / Sustainable harvest unfinished red Batu wood.
- 3/ Clear Anodized Aluminum top / 1/4" plate with 5/8" supports / extends warranty
- 4/ Glass wind guard.

JOB / ORDER
Name or Number:

Signature & Date: