

**HEMI 26 NG & LP
ELECTRONIC START**

Fire is beautiful and also dangerous if not handled properly. Please have a qualified gas fitter setup and install this product according to local codes.

This product has been tested and certified by Labtest Certification Inc. as being safe, as long as these **minimum clearances** to adjacent materials are maintained.

FOR OUTDOOR USE ONLY

NORTH AMERICA SPECIFICATIONS

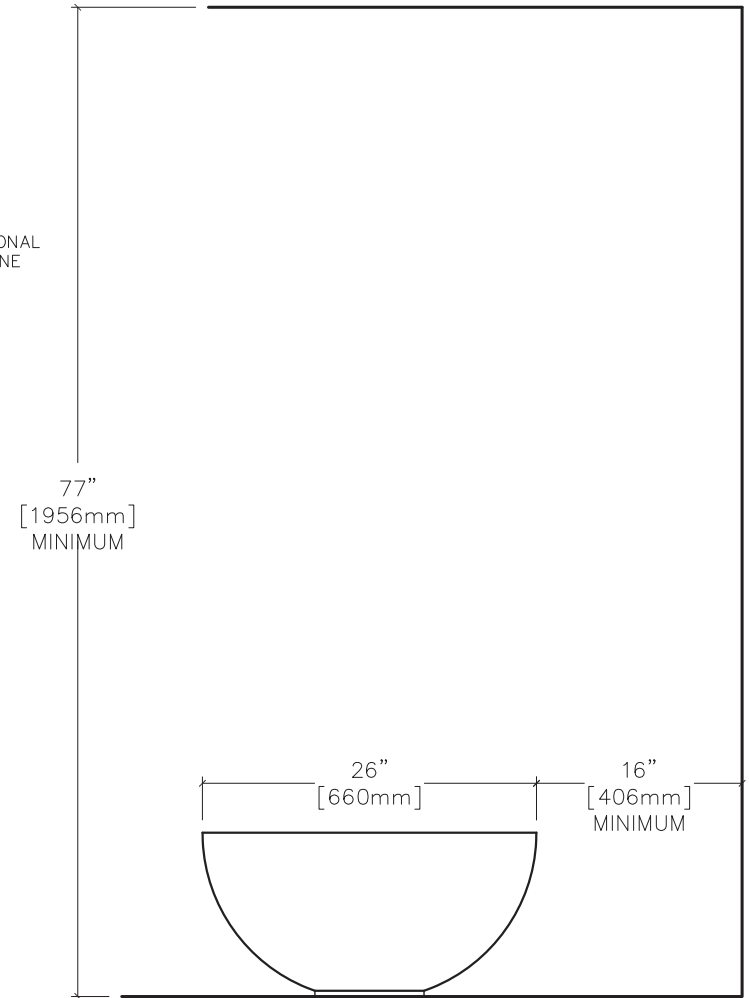
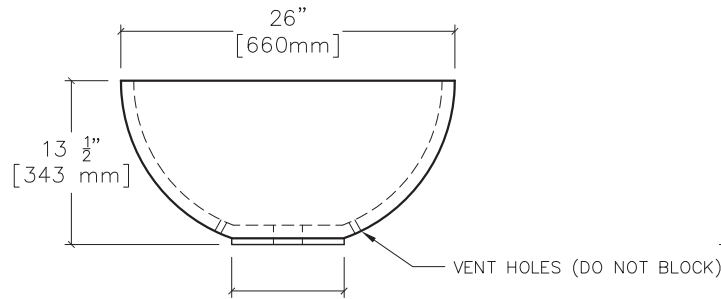
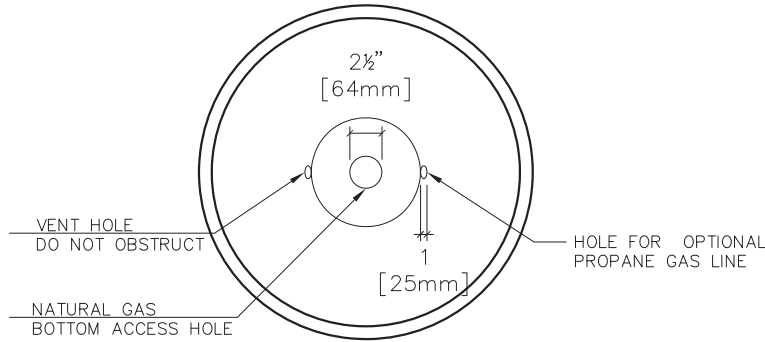
Gas type:	Natural Gas	Propane
Inlet press:	7.0" w.c.	11" w.c
Manifold press:	35.8" w.c.	10.5" w.c.
Heat Output:	73,500 BTU	73,500 BTU
Electrical:	24V or 110 V 1.5A, 60 hz	24V or 110 V 1.5A, 60 hz

ANSI Z21.97-2014
CSA 2.17-2017



CONCRETE SPECS

Strength: 10,000 psi (proprietary)
Weight: 81 lbs / 37 kg



CLEARANCES to ADJACENT MATERIALS

NOTE:
The site Electrician must provide a switched electrical line to the firepit location.
SEE: *Electronic Ignition Set up Schematic.*

ACCESSORIES

- 1/ All Weather Fabric Cover /extends warranty.
- 2/ Hardwood Table Top / Sustainable harvest unfinished red Batu wood.
- 3/ Clear Anodized Aluminum top / 1/4" plate with 5/8" supports / extends warranty.

JOB / ORDER
Name or Number:

Signature & Date: