

16410



Call Us First!
DO NOT RETURN TO STORE.

For questions on assembly or for general inquiries, you may contact us in the following ways:
Call customer service: **1-877-743-3400**

AVOID THE WAIT!

visit us online at
help.backyardproducts.com

- Submit a help request
- Answers to frequently asked questions
- Live chat with an agent



Did you enjoy building your shed?

JOIN OUR TEAM
AND MAKE UP TO \$1,500/WEEK*

Call a Recruiter Today! 734-365-7000



Flexible schedule



No selling,
just building



Bonus incentives
available



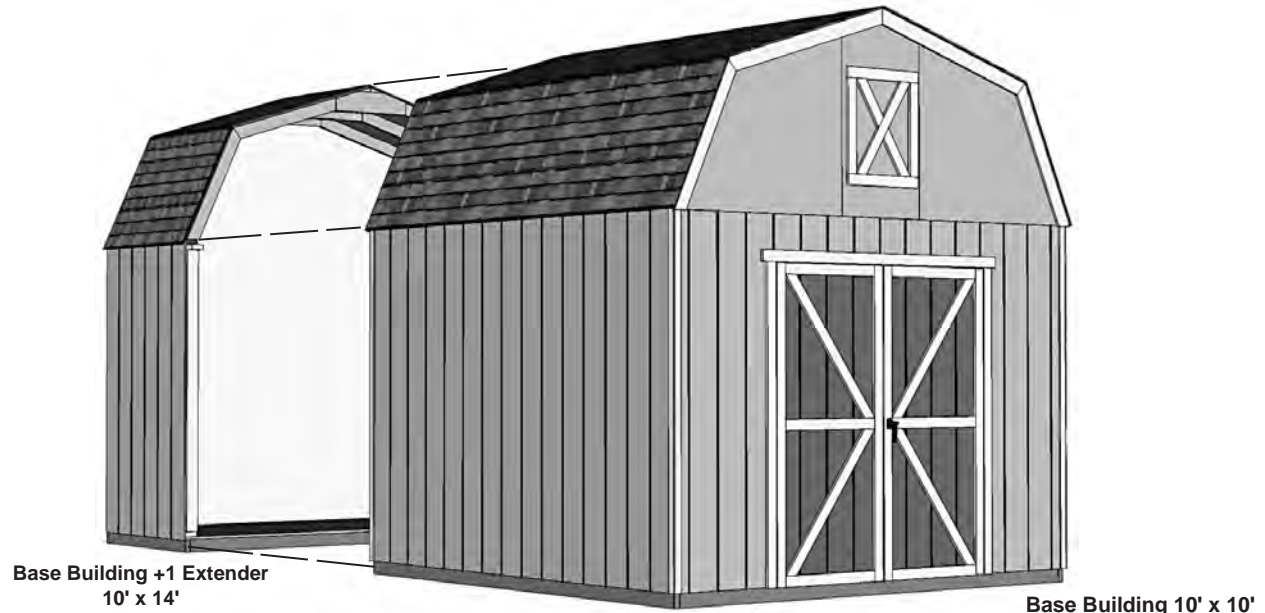
*based on number of completed installations

ASSEMBLY MANUAL

GAMBREL 10' x 10' (304,8 x 304,8 cm)

	BUILDING SIZE	ACTUAL FLOOR SIZE
BASE MODEL	10' x 10' (304,8 x 304,8 cm)	10' x 10' (304,8 x 304,8 cm)
ADD (1) 10' x 4'	10' x 14' (304,8 x 426,7 cm)	10' x 14' (304,8 x 426,7 cm)
ADD (2) 10' x 4'	10' x 18' (304,8 x 548,6 cm)	10' x 18' (304,8 x 548,6 cm)

KEEP THIS MANUAL FOR FUTURE REFERENCE



⚠ **IMPORTANT!** ⚠

READ INSTRUCTIONS THOROUGHLY PRIOR TO BEGINNING ASSEMBLY.

BEFORE YOU BEGIN

• BUILDING RESTRICTIONS AND APPROVALS

Be sure to check local building department and homeowners association for specific restrictions and/ or requirements before building.

• ENGINEERED DRAWINGS

Contact our Customer Service Team if engineered drawings are needed to pull local permits.

• SURFACE PREPARATION

To ensure proper assembly you must build your shed on a level surface.

Recommended methods and materials to level your shed are listed on page 10.

• CHECK ALL PARTS

Inventory all parts listed on pages 5-8.

• ADDITIONAL MATERIALS

You will need additional materials to complete your shed. See pages 3-4 for required and optional materials and quantities.







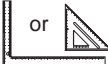

*****CONTACT OUR CUSTOMER SERVICE TEAM
IF ANY PARTS ARE MISSING OR DAMAGED*****






- Order form and warranty at back of manual -

Call: 1-877-743-3400 email: customerservice@backyardproductsllc.com







TOOLS

Required

- Phillips Screwdriver 
- Drill / Driver 
 - 3/8" Drill Bit
 - #2 Philips Drive Bit
- Hammer 
- Level 
- Pencil 
- Tape Measure 
- Square  or 

- Utility Knife 
 - Shingle Blades 
- Caulk Gun 
- Paint Tools 
- Safety Glasses 
- Ladder 

Optional

- Tool Belt/ Nail Pouch 
- Tin Snips (for drip edge) 
- Chalk Line 
- Nail Gun 
 - gun nails
- Gloves 
- Sawsall 

Safety! Always use approved safety glasses during assembly.

HELPFUL REMINDER SYMBOLS

Look for these symbols for helpful reminders throughout this manual.



= Assistance Required; two or more people.



= Ensure squareness.



= Important required step or operation.



= Helpful assembly hint.



= Mark part with pencil.



BEGIN = Beginning of steps for assembly or installation.



FINISH = You have finished the assembly or installation.

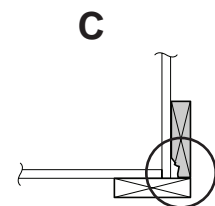
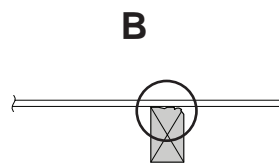
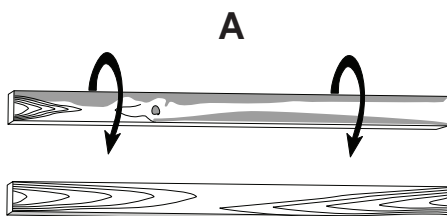


= Level

ORIENT LUMBER AND TRIM FOR BEST APPEARANCE

Framing lumber is graded for structural strength and not appearance. Exterior trim is graded for one good side.

Always install the material leaving the best edge and best surface visible. Please remember that these blemishes in no way negatively affect the strength or integrity of our product. (See Fig. A, B, C.)



ADDITIONAL MATERIALS

FOUNDATION OR FLOOR MATERIALS

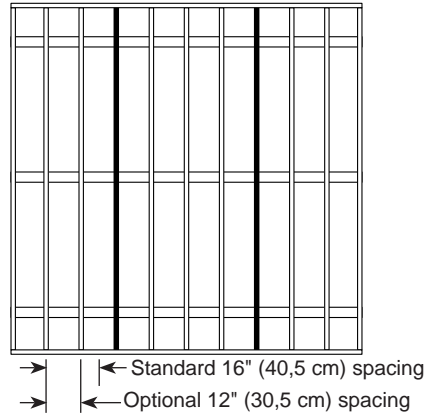
- If you purchased a separate floor kit, use instructions and materials in that kit to construct your floor.
- See the FLOOR LEVELING section on page 10 for recommended methods and suggested materials to properly level your floor, as this will vary depending on your specific site.

REINFORCED WOOD FLOOR FRAME (OPTIONAL)

IMPORTANT! Depending on your specific use you may want to construct a heavy duty floor frame by adding additional floor joists (shown below as shaded). Below is a list of additional materials (not included):

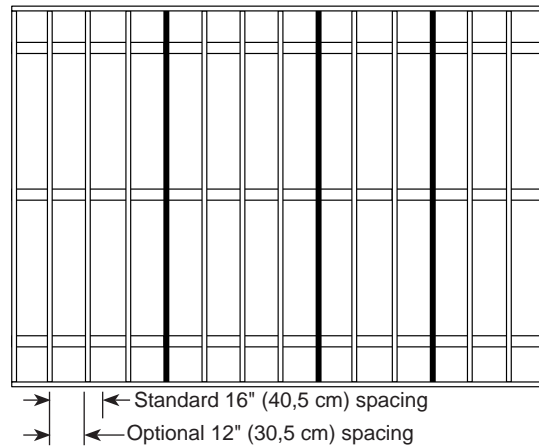
10x10'

- x2** 2 x 4 x 10' (5,1 x 10,2 x 304,8 cm) Treated Lumber cut to 2 x 4 x 117" (5,1 x 10,2 x 297,2 cm)
- x8** 3" (7,6 cm) hot-dipped galvanized nails



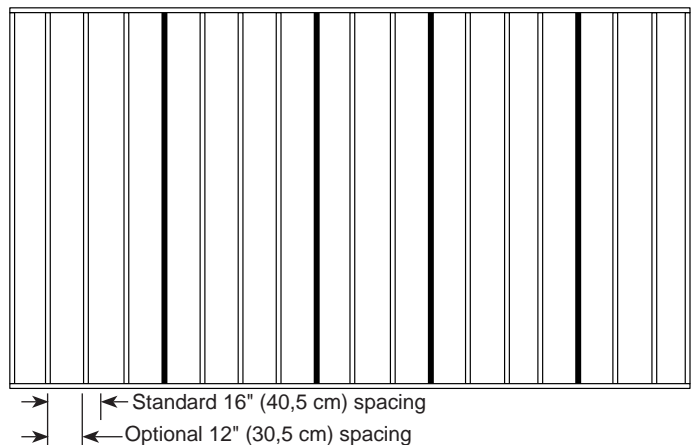
10x14'

- x3** 2 x 4 x 10' (5,1 x 10,2 x 304,8 cm) Treated Lumber cut to 2 x 4 x 117" (5,1 x 10,2 x 297,2 cm)
- x12** 3" (7,6 cm) hot-dipped galvanized nails



10x18'

- x4** 2 x 4 x 10' (5,1 x 10,2 x 304,8 cm) Treated Lumber cut to 2 x 4 x 117" (5,1 x 10,2 x 297,2 cm)
- x16** 3" (7,6 cm) hot-dipped galvanized nails



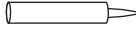
ADDITIONAL MATERIALS

COMPLETING YOUR SHED

You will need these additional materials:

	10x10'	10x14'	10x18'
<input type="checkbox"/> 3-TAB SHINGLES (Bundles)	5	8	10
<input type="checkbox"/> PAINT FOR SIDING (Gallons) Use 100% acrylic latex exterior paint. (2) coats recommended.	2	3	3
<input type="checkbox"/> 1" galvanized roofing nails (lbs). For shingles.	4	5	6

	10x10'	10x14'	10x18'
<input type="checkbox"/> Paint for trim/Quart Use 100% acrylic latex exterior paint.	1	1	1
<input type="checkbox"/> Caulk Tubes Use acrylic paintable latex exterior caulk.	3	4	5



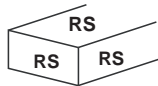
OPTIONAL MATERIALS

	10x10'	10x14'	10x18'
<input type="checkbox"/> Drip Edge (Feet)	40	40	40
<input type="checkbox"/> #15 Roofing Felt (Sq ft. to cover)	166	230	295
<input type="checkbox"/> 1" Galvanized Roofing Nails (lbs) For roofing felt.	¼	¼	¼

REFER TO THE BACK OF THIS MANUAL AND THE MANUFACTURER'S INSTRUCTIONS FOR INSTALLATION OF SHINGLES, DRIP EDGE AND FELT.

PARTS IDENTIFICATION AND SIZES

Double letter part identification is stamped on some parts.



• Check these locations for part stamp.

WOOD SIZE CONVERSION CHART

Nominal Board Size	Actual Size
2 x 4	1-1/2" x 3-1/2" (3,8 x 8,9 cm)
1 x 4	3/4" x 3-1/2" (1,9 x 8,9 cm)
2 x 3	1-1/2" x 2-1/2" (3,8 x 6,3 cm)
1 x 3	3/4" x 2-1/2" (3,8 x 6,3 cm)

10x12'



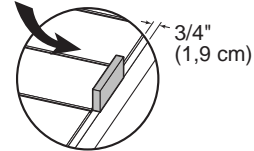
GAMBREL 10' x 10' PARTS LIST

INVENTORY YOUR PARTS before you begin.
We suggest sorting parts by the category they are listed in.

WALL

- x5 **AL** 2 x 4 x 7" (5,1 x 10,2 x 17,8 cm)
- x2 **JBD** 2 x 4 x 20-3/8" (5,1 x 10,2 x 51,8 cm)
- x4 **RL** 2 x 4 x 24" (5,1 x 10,2 x 61 cm)
- x2 **SL** 2 x 4 x 36" (5,1 x 10,2 x 91,4 cm)
- x4 **QL** 2 x 4 x 39" (5,1 x 10,2 x 99,1 cm)
- x4 **STL** 2 x 4 x 44-1/2" (5,1 x 10,2 x 113 cm)
- x1 **OSB** 7/16" x 3-1/4" x 66-3/4" (1,1 x 8,3 x 170,2 cm) OSB
- x2 **AM** 2 x 4 x 67" (5,1 x 10,2 x 170,2 cm)
- x2 **UM** 2 x 4 x 68" (5,1 x 10,2 x 172,7 cm)
- x4 **YFA** 2 x 4 x 68-1/2" (5,1 x 10,2 x 174 cm)
- x20 **AI** 2 x 4 x 78-1/2" (5,1 x 10,2 x 199,4 cm)
- x2 **TO** 2 x 4 x 84" (5,1 x 10,2 x 213,4 cm)
- x2 **TJ** 2 x 4 x 92-5/8" (5,1 x 10,2 x 235,3 cm)
- x4 **TP** 2 x 4 x 96" (5,1 x 10,2 x 243,9 cm)

x1 **GAA** 1 x 3 x 5" (2,5 x 7,6 x 12,7 cm)
Used as a gauge block for 3/4" (1,9 cm) measurement.



RAFTERS

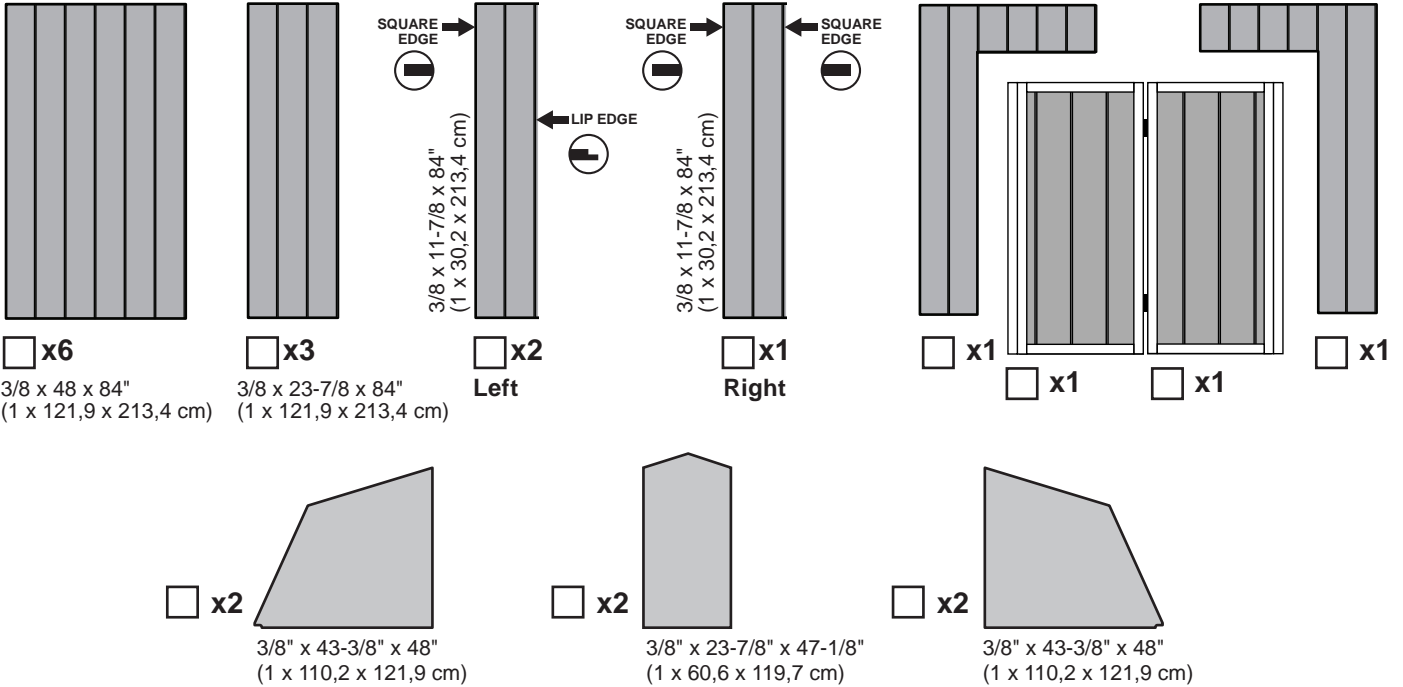
- x10 **6 x 24"** (15,2 x 61 cm)
- x12 **Pre-assembled**
- x2 **TP** 2 x 4 x 96" (5,1 x 10,2 x 243,9 cm)

TRIM

- x2 **JGA** 19/32" x 2-1/2" x 12-7/8" (1,6 x 7,6 x 32,7 cm)
- x4 **KX** 19/32" x 2-1/2" x 21-3/4" (1,6 x 7,6 x 55,2 cm)
- x1 **LKA** 19/32" x 2-1/2" x 25-3/4" (1,6 x 7,6 x 65,4 cm)
- x2 **ZJL** 5/8 x 4 x 36" (1,6 x 10 x 91 cm)
- x2 **ZJR** 5/8 x 4 x 36" (1,6 x 10 x 91 cm)
- x2 **ZQL** 5/8 x 4 x 48-5/16 (1,6 x 10 x 123 cm)
- x2 **ZQR** 5/8 x 4 x 48-5/16 (1,6 x 10 x 123 cm)
- x8 **3/8" x 1-3/4" x 83-1/4"** (1 x 4,5 x 211,5 cm)

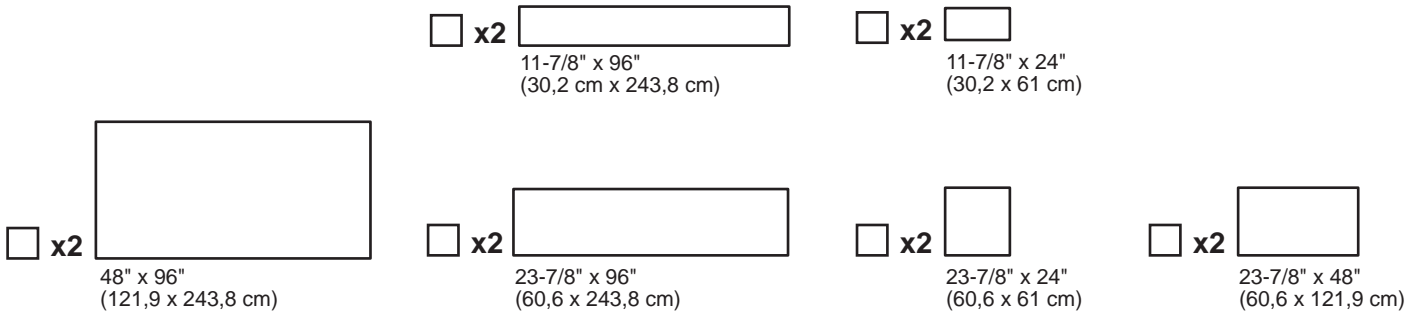
PANEL & DOORS PARTS LIST

NOTE: Panel parts are not stamped with part identification.



ROOF PANELS

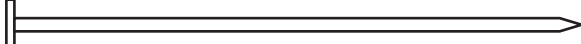
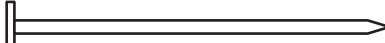
Roof panels are 7/16" (1,1 cm) thick.




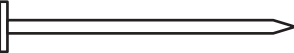





DOOR TRIM

- x2** **AH** $19/32'' \times 2-1/2'' \times 26-5/8''$ (1,5 x 6,3 x 67,7 cm)
- x2** **MDR** $19/32'' \times 2-1/2'' \times 39-7/8''$ (1,5 x 6,3 x 101,3 cm)
- x2** **MDL** $19/32'' \times 2-1/2'' \times 39-7/8''$ (1,5 x 6,3 x 101,3 cm)
- x2** **OO** 69" (175,3 cm) Door Stiffener
- x1** **ZJ** $19/32'' \times 2-1/2'' \times 72''$ (1,5 x 6,3 x 182,9 cm)

NAIL BOXES (Shown Actual Size)

- x4 BOXES**  3" (7,6 cm)
- x5 BOXES**  2" (5,1 cm)

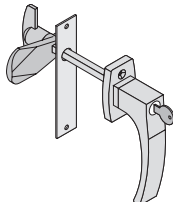


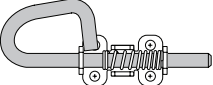


FASTENER/HARDWARE BAG (Shown Actual Size)

- x200**  2" (5,1 cm) **x110**  1-1/2" (3,8 cm)
- x85**  3" (7,6 cm)
- x25**  2" (5,1 cm)
- x2**  1-1/4" (3,2 cm)
- x105**  3/4" (1,9 cm)
- x12**  1/2" (1,3 cm)

NOTE:

If you are using a nail gun, nails may be used where screws are shown for quicker assembly. Length of nail must match screw length.

Other HARDWARE (Not Actual Size)

- x1** 
- x2**  1" (2,5 cm)
- x2**  1-1/4" (3,2 cm)
- x2** 
- x8**  3/4" (1,9 cm)
- x2** 

GAMBREL EXTENDER KIT PARTS LIST

Inventory your parts before you begin.
We suggest sorting parts by the category they are listed in.

Part identification is stamped on some parts.



• Check these locations for part stamp.

WOOD SIZE CONVERSION CHART	
Nominal Board Size	Actual Size
2 x 4	1-1/2" x 3-1/2" (3,8 x 8,9 cm)
1 x 4	3/4" x 3-1/2" (1,9 x 8,9 cm)
2 x 3	1-1/2" x 2-1/2" (3,8 x 6,3 cm)
1 x 3	3/4" x 2-1/2" (3,8 x 6,3 cm)

10' x 4' EXTENDER

10x14'
↓
USE 1 KIT

10x18'
↓
USE 2 KITS

WALL

- x6 **SP** 2 x 4 x 48" (5,1 x 10,2 x 121,9 cm)
- x4 **AI** 2 x 4 x 78-1/2" (5,1 x 10,2 x 199,4 cm)
- x2 3/8 x 48 x 84" (1 x 121,9 x 213,4 cm)

RAFTERS

- x4
- x4 Pre-assembled
- x1 **TP** 2 x 4 x 96" (5,1 x 10,2 x 243,9 cm)

ROOF PANELS

Roof panels are 7/16" (1,1 cm) thick.

- x2 7/16" x 23-1/2" x 47-7/8" (1,1 x 59,7 x 121,6 cm)
- x2 11-7/8" x 48" (30,2 x 121,9 cm)
- x2 7/16" x 47-7/8" x 48" (1,1 x 6 x 121,9 cm)

HARDWARE

- x12 3" (7,6 cm)

OPTIONAL WOOD FRAME FLOOR LEVELING OPTIONS

There are multiple ways to level your floor frame. Our recommended leveling method is shown below.

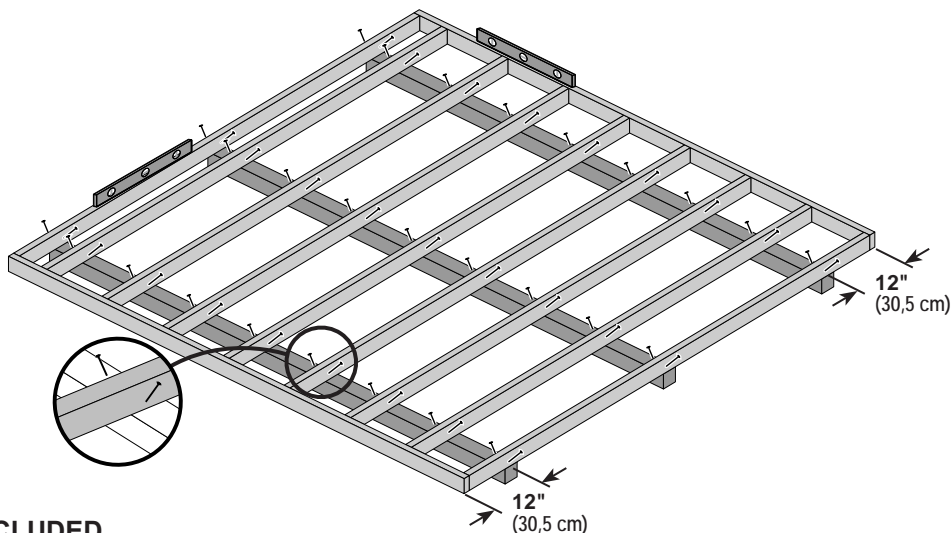
Leveling materials are not included in this kit.

PREFERRED METHOD - 4x4 TREATED RUNNERS (Typical for 10' x 10' Kit)

Runners are generally 12" (30,5 cm) from ends of floor frame and under seams.

Measurements to centers of 4x4's.

- 3" Screws angled into 4x4.
- (2) at each point frame and 4x4 touch.



! FLOOR FRAME NOT INCLUDED

MATERIAL REQUIRED:

10' x 10' x3 4 x 4 x 10' (10,2 x 10,2 x 304,8 cm) Treated Lumber

10' x 14' x3 4 x 4 x 14' (10,2 x 10,2 x 426,7 cm) Treated Lumber

10' x 18' x3 4 x 4 x 14' (10,2 x 10,2 x 426,7 cm) Treated Lumber
 x1 4 x 4 x 12' (10,2 x 10,2 x 426,7 cm) Treated Lumber
 Cut down to: (3) 48" (121,9 cm)

Fasteners for Frame to 4x4:
 (3" Screws shown as one option.)
 Minimum 3" screws / exterior grade.

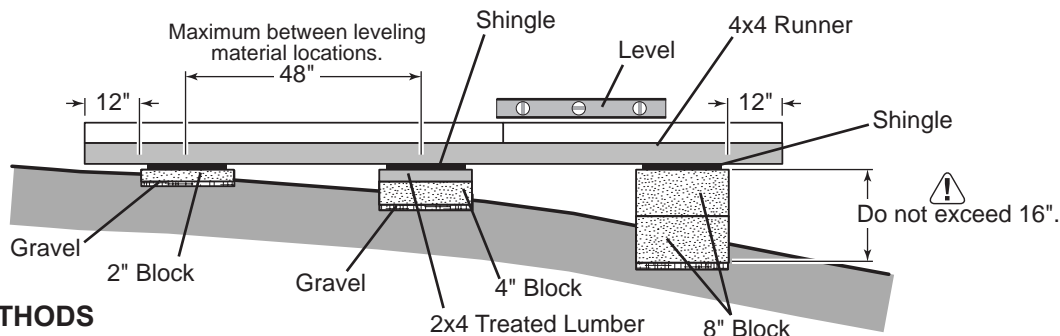
x54  3" (7,6 cm)

x72  3" (7,6 cm)

x90  3" (7,6 cm)

! Use only wood treated for ground contact and fasteners approved for use with treated wood.

! Always support frame seams.



LEVELING METHODS

- Level under 4x4 runners only.
- Locate leveling material 12" from ends of runners and no more than 48" apart.
- Asphalt shingles should be used between 4x4 runners and blocks or treated lumber. Never use shingles in direct contact with ground.
- For best results and aiding in water drainage use gravel under each concrete block.

LEVELING MATERIALS

- Gravel
- Solid Masonry Blocks in 1", 2", 4" or 8" thickness
- 2x4 Treated Lumber
- Asphalt Shingles

! Leveling higher than 16" not recommended.

LEVELING & SQUARING THE FLOOR FRAME (Not Included)

STOP!



LEVEL AND SQUARE FLOOR FRAME



STOP!

Before attaching floor decking, it is important to level and square the floor frame. A level and square floor frame is required to correctly construct your shed.

See page 10 for the preferred floor leveling method.

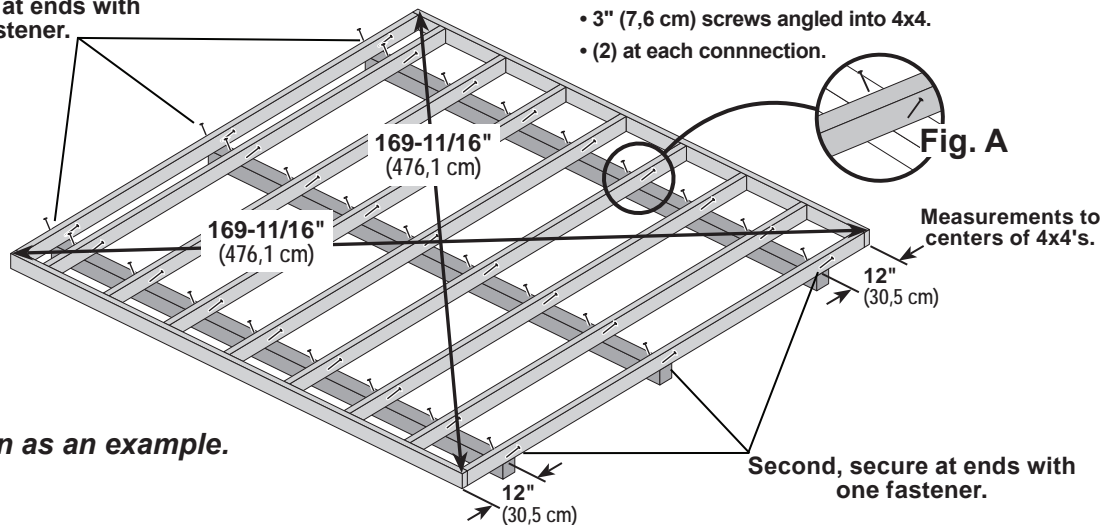
Use a level and ensure the frame is level before applying floor panels.

✓ **BEGIN**

- 1 Check for frame squareness by measuring diagonally across the corners (**diagonal measurement D**). If the measurements are the same, the frame is square. Use the chart below to determine measurement D.

SHED SIZE	D
10' x 10'	169-11/16" (476,1 cm)
10' x 14'	206-7/16" (524,4 cm)
10' x 18'	247-1/8" (627,7 cm)

First, secure at ends with one fastener.



- 3" (7,6 cm) screws angled into 4x4.
- (2) at each connection.

NOTE:
10' x 10' floor shown as an example.

4x4 runners are generally installed 12" (30,5 cm) from ends of floor frame and under any seams.

- 2 After the frame is level and square, secure one side of frame to 4x4 runners using one fastener at ends of each runner.

At the opposite end of the frame, secure the frame to 4x4 runners with one fastener at the ends of each runner, ensuring that the frame remains square.

Fasten the frame to the 4x4 runners with (2) 3" screws at each connection (**Fig. A**).



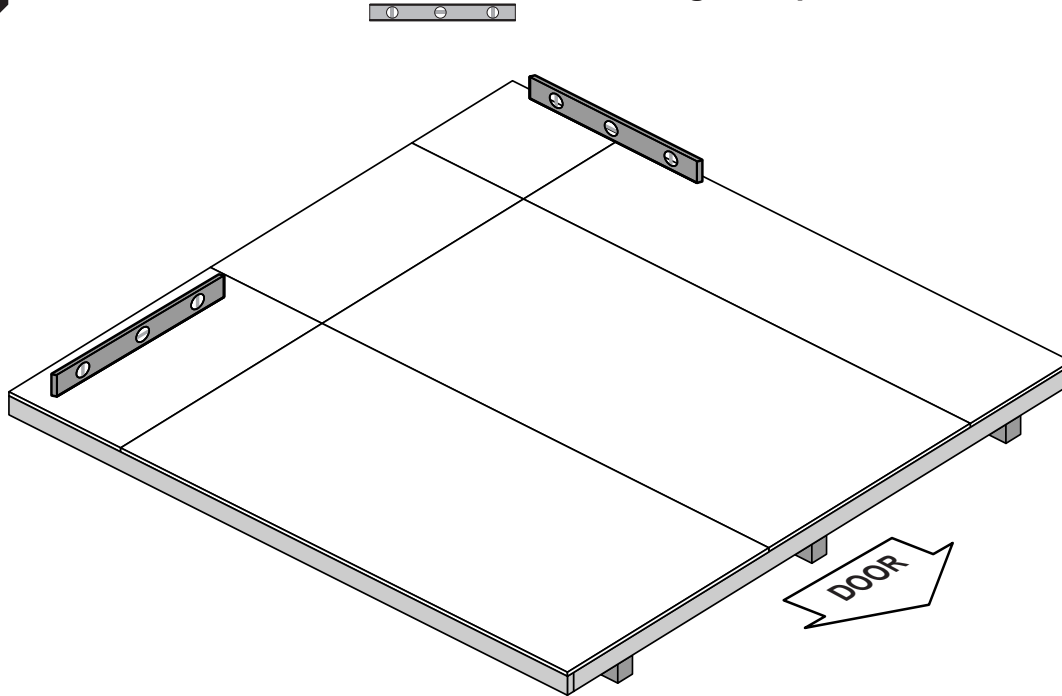
Your floor frame is now level.

! IMPORTANT!

NOTE: 10' x 10' Gambrel shown standard throughout manual

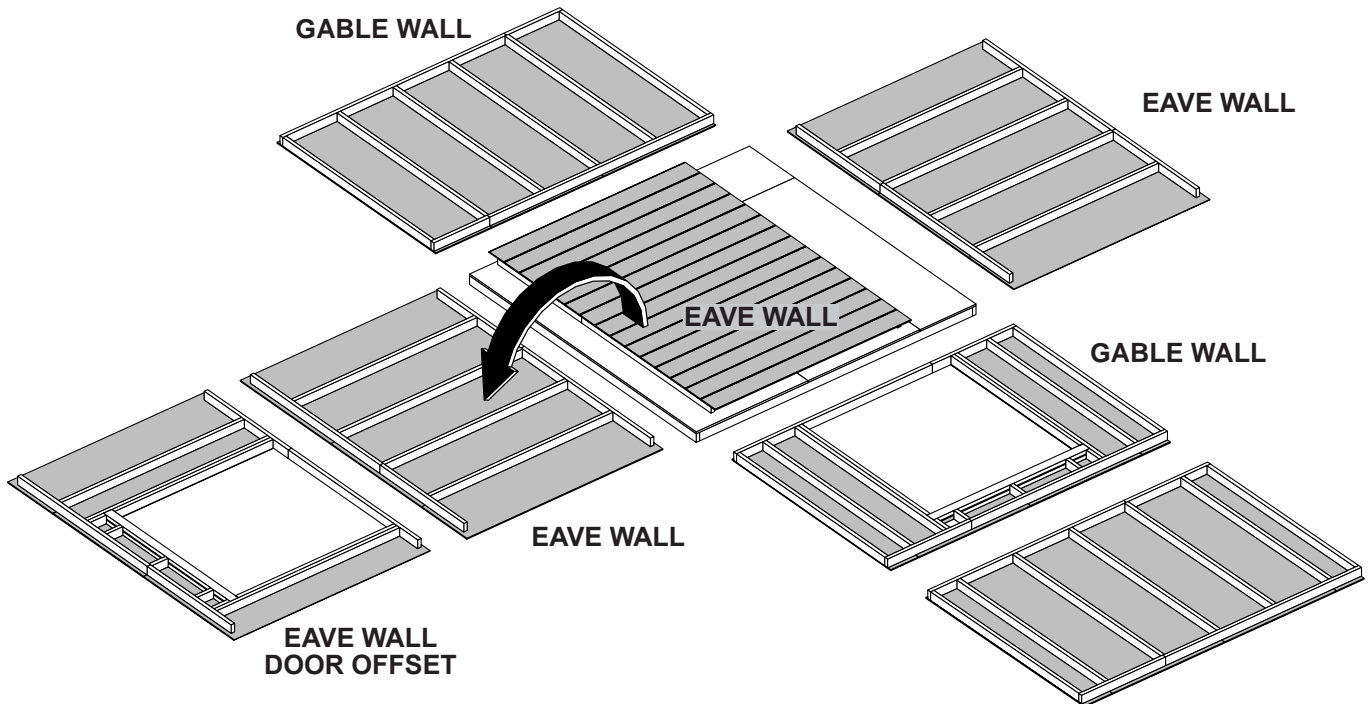


Ensure the floor frame is level after installing floor panels. Re-level if needed.



HINT:

- The floor should be used as a stable work surface for wall construction.
- Organize your assembly procedure during the build process to avoid over-handling of the walls.

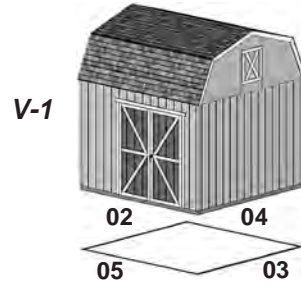


(This page intentionally left blank.)

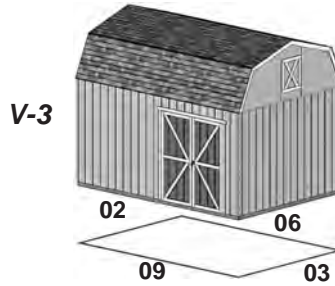
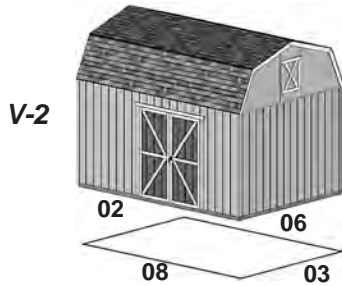
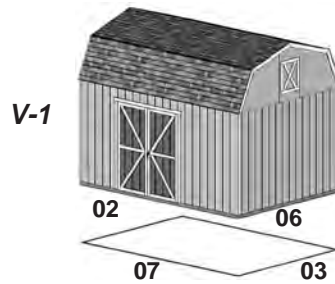
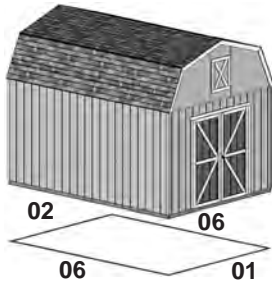
WALL CONFIGURATION GUIDE

Create your own style of shed. Choose your door location.
Compare this guide with the wall index to find the corresponding pages.

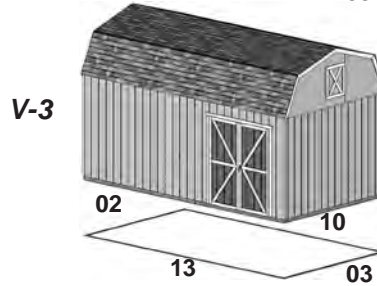
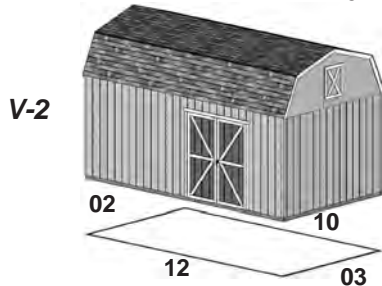
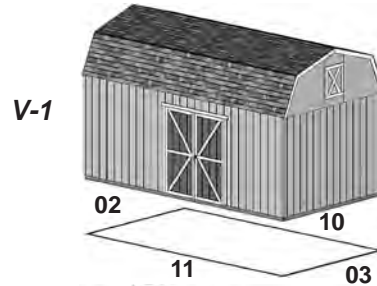
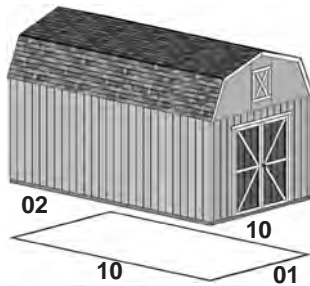
10' x 10'



10' x 14'



10' x 18'



HINT:

Streamline your wall assembly process by cutting out the pages for the wall configuration guide and the wall index.

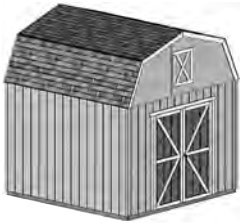


CUT HERE

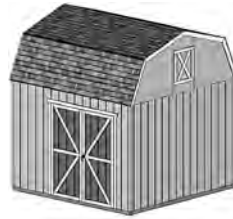
WALL INDEX

As another option, eave walls with doors can be reversed during assembly.

10' x 10' After assembling the walls for your 10' x 10' shed, go to page 45 for wall installation.



10' x 10'
 Door is on the 10' gable wall.
 Wall 01: Page 18
 Wall 02: Page 20
 Wall 04: Page 24
 (Build 2 walls 04)



10' x 10' V-1
 Door is on the 10' eave wall,
 offset right.
 Wall 02: Page 20
 Wall 03: Page 22
 Wall 04: Page 24
 Wall 05: Page 26

10' x 14' After assembling the walls for your 10' x 14' shed, go to page 50 for wall installation.



10' x 14'
 Door is on the 10' wall.
 Wall 01: Page 18
 Wall 02: Page 20
 Wall 06: Page 28
 (build 2 walls 06)



10' x 14' V-1
 Door is on the 14' wall,
 offset left.
 Wall 02: Page 20
 Wall 03: Page 22
 Wall 06: Page 28
 Wall 07: Page 30

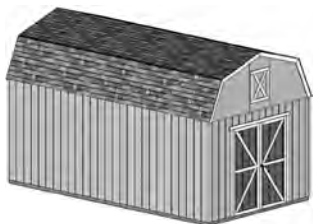


10' x 14' V-2
 Door is on the 14' wall,
 offset right.
 Wall 02: Page 20
 Wall 03: Page 22
 Wall 06: Page 28
 Wall 08: Page 32

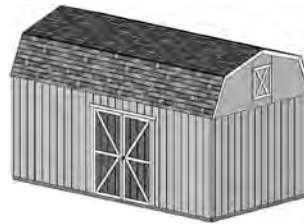


10' x 14' V-3
 Door is on the 14' wall,
 extra-offset right.
 Wall 02: Page 20
 Wall 03: Page 22
 Wall 06: Page 28
 Wall 09: Page 34

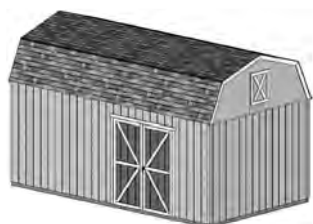
10' x 18' After assembling the walls for your 10' x 18' shed, go to page 56 for wall installation.



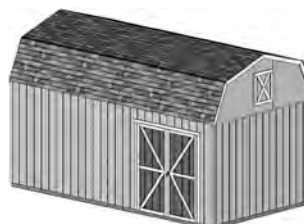
10' x 18'
 Door is on the 10' wall.
 Wall 01: Page 18
 Wall 02: Page 20
 Wall 10: Page 36
 (build 2 walls 10)



10' x 18' V-1
 Door is on the 18' wall,
 semi-centered.
 Wall 02: Page 20
 Wall 03: Page 22
 Wall 10: Page 36
 Wall 11: Page 38



10' x 18' V-2
 Door is on the 18' wall,
 offset right.
 Wall 02: Page 20
 Wall 03: Page 22
 Wall 10: Page 36
 Wall 12: Page 40



10' x 18' V-3
 Door is on the 18' wall,
 extra-offset right.
 Wall 02: Page 20
 Wall 03: Page 22
 Wall 10: Page 36
 Wall 13: Page 42

CUT HERE

DOOR HEADER

STOP!

Assemble this door header before building any walls!

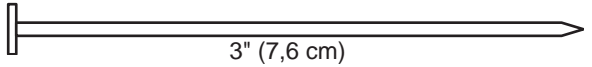
Any wall with a door will require this assembly.

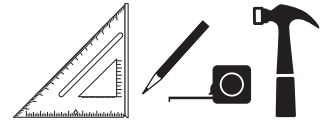
STOP!

PARTS REQUIRED:

x2 **AM**
2 x 4 x 67" (5,1 x 10,2 x 170,2 cm)

x1
7/16 x 3-1/4 x 66-3/4" (1,1 x 8,3 x 170,2 cm) **OSB**

x18  3" (7,6 cm)

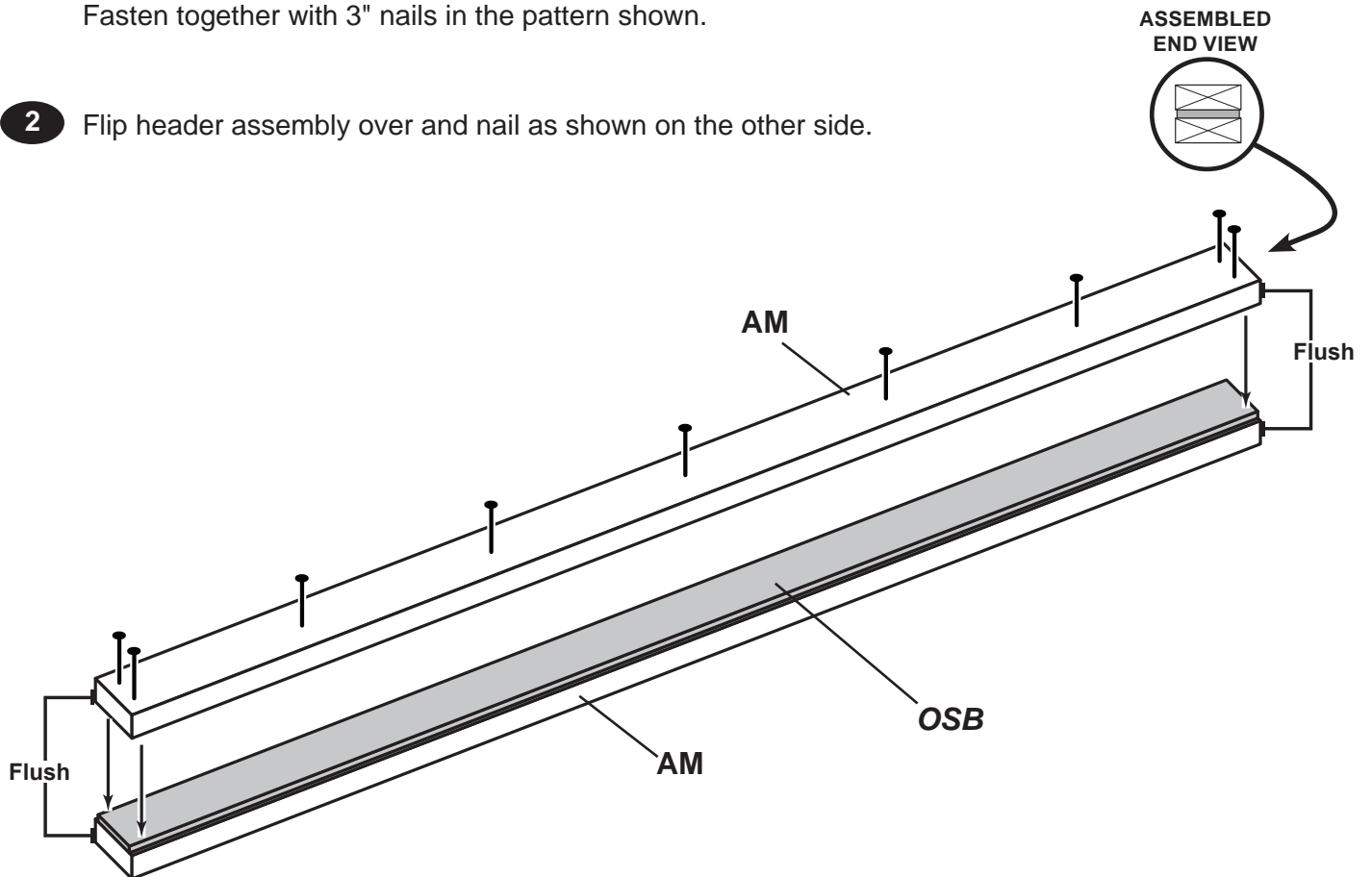


✓ **BEGIN**

- 1 Place (1) **AM** and **OSB** end-to-end on flat surface, flush in middle.
Center **OSB** on top of **AM**.

Fasten together with 3" nails in the pattern shown.

- 2 Flip header assembly over and nail as shown on the other side.

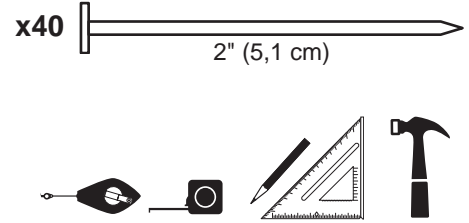
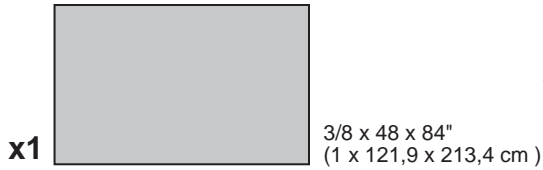


 **FINISH**

Your door header is now assembled.

WALL PANEL INSTALLATION HINTS & EXAMPLES

PARTS REQUIRED:

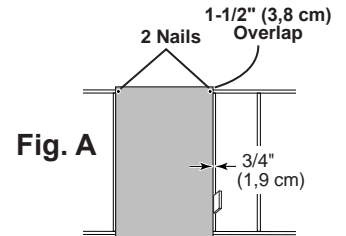


Ensure your wall is square by installing one panel and squaring frame.

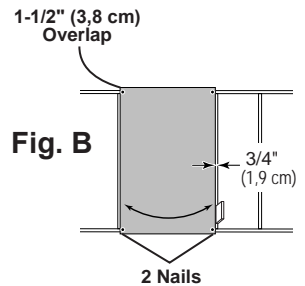
Install all wall panels with the primed side facing up.

✓ **BEGIN**

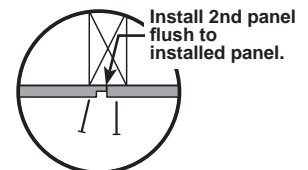
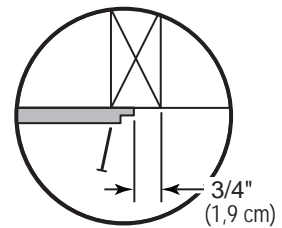
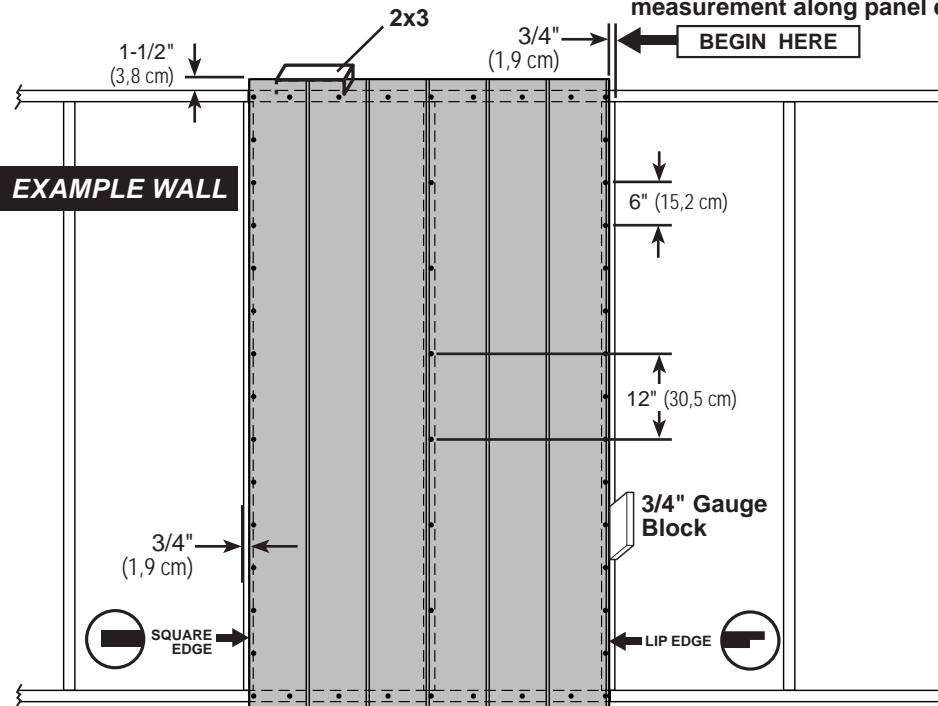
- Place a **48" X 84"** panel on the wall frame, as shown.
Locate the panel 1-1/2" above the top plate.
Use a 2 x 3 as a gauge block for the 1-1/2" top overhang measurement.
Use the gauge block to mark the 3/4" side measurement on the wall stud.
Secure panel with (2) 2" nails in the corners (**Fig. A**).



- Move to the opposite end. Using the long edge of the panel as a lever, move the panel side-to-side until you have a 3/4" measurement on the wall stud.
Secure corner with (2) 2" nails (**Fig. B**).
Secure panel with 2" nails spaced 6" apart on edges and 12" apart inside panel.
Note the panel lip-edge/square edge orientation.



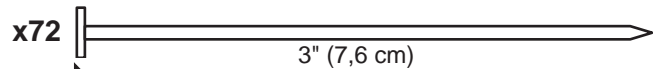
For squareness maintain 3/4" and 1-1/2" measurement along panel edge.



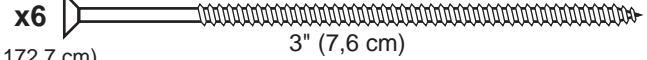
10' WALL - 01

PARTS REQUIRED: x5 **AL**

2 x 4 x 7" (5,1 x 10,2 x 17,8 cm)



x2 **SL** 2 x 4 x 36" (5,1 x 10,2 x 91,4 cm)



x2 **UM** 2 x 4 x 68" (5,1 x 10,2 x 172,7 cm)

x6 **AI** 2 x 4 x 78-1/2" (5,1 x 10,2 x 199,4 cm)

x2 **TO** 2 x 4 x 84" (5,1 x 10,2 x 213,4 cm)

Pre Assembled Header

x1 **Pre Assembled Header**



✓ BEGIN

1 Orient parts on edge on floor as shown. Measure and mark from end of boards.

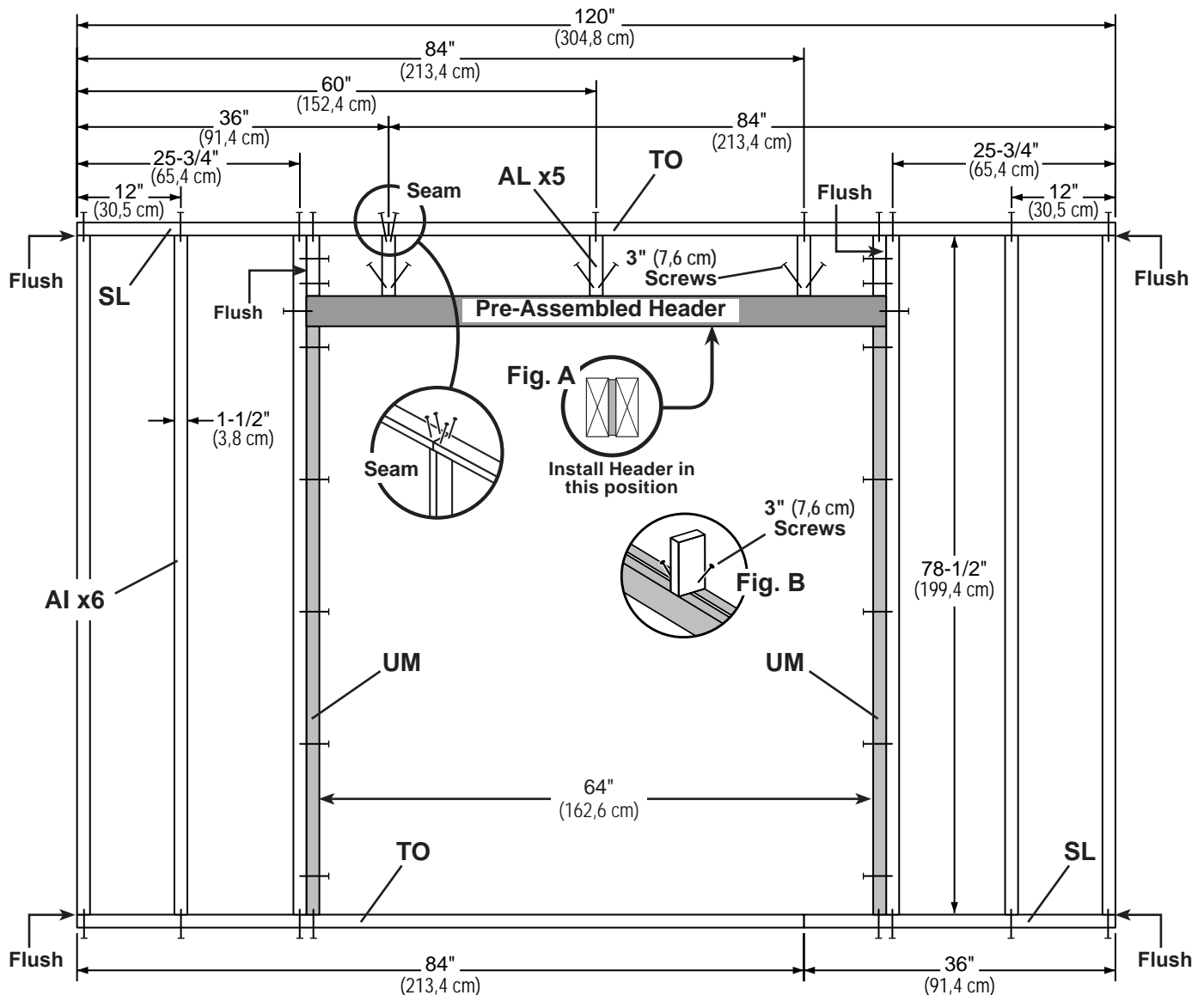
Orient **Pre Assembled Header** as shown (**Fig. A**).

Secure with (2) 3" nails at each connection and (4) 3" nails at seams.

2 Fasten (3) middle parts **AL** to **Pre Assembled Header** with (2) 3" screws (**Fig. B**).

Fasten (2) end **AL** to studs **AI** with (4) 3" nails at each side.

Secure parts **AL** to top plates with (2) 3" nails at each connection and (4) 3" nails at seam.



10' WALL 01

PARTS REQUIRED:

x2 11-7/8" x 84" (30,2 x 213,4 cm)

x1 x1

x2 3" (7,6 cm)

x150 2" (5,1 cm)

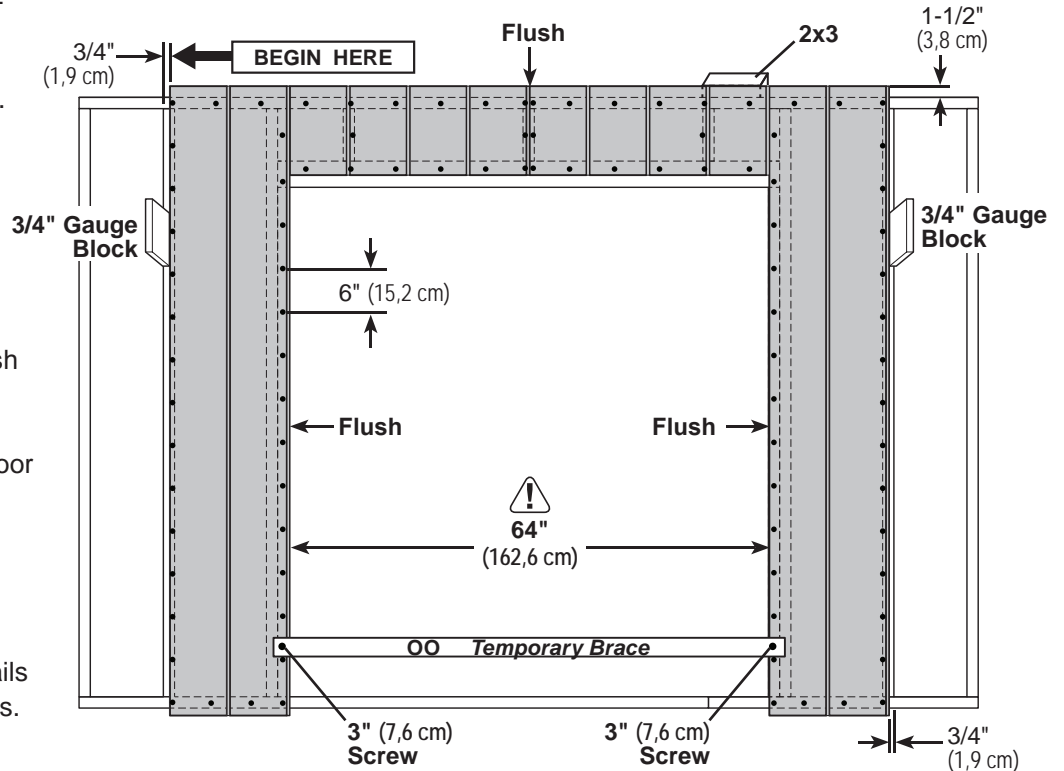
x1 OO Temporary Brace
69" (75,3 cm) Door Stiffener



- 3** Install the left panel 1-1/2" from the top plate. Use a 2x3 spacer for consistent measurement. Secure panel with 2" nails spaced 6" apart on edges.

- 4** Install the right panel flush to installed panel, as shown. Ensure 64" (162,8 cm) door measurement. Use part OO as a temporary brace. Secure with (2) 3" screws.

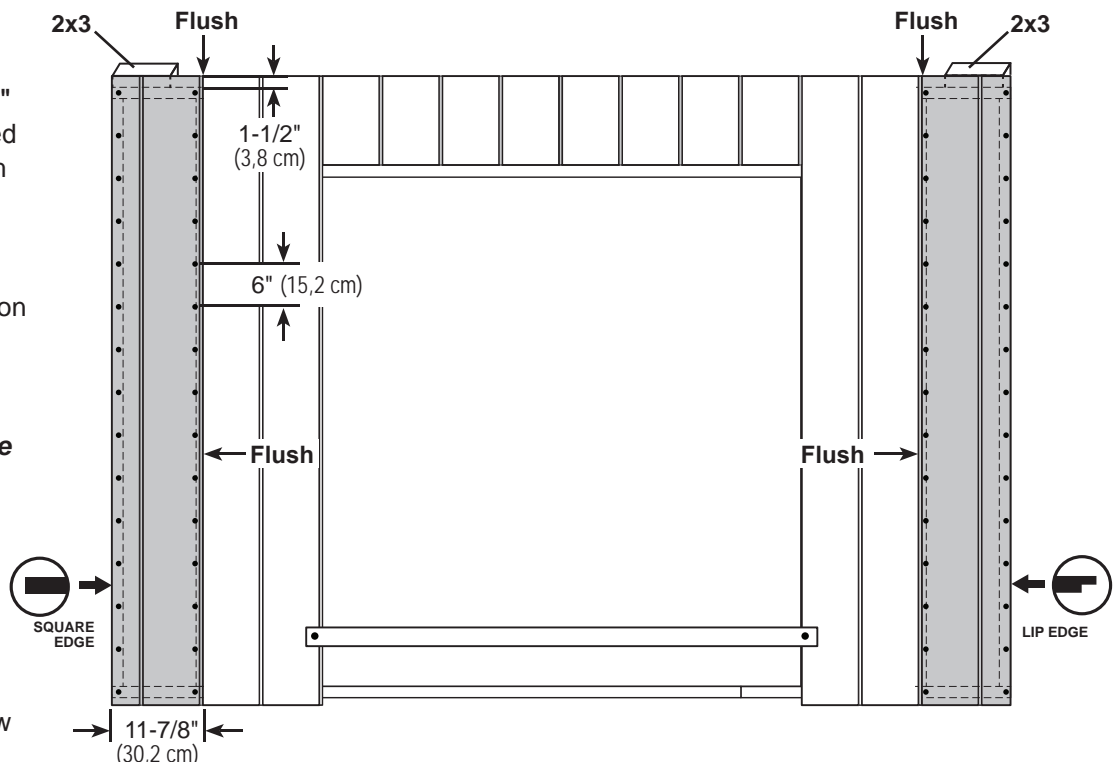
Secure panels with 2" nails spaced 6" apart on edges.



- 5** Install (2) 11-7/8" x 84" panels flush to installed panels and 1-1/2" from the top plate.

Secure panels with 2" nails spaced 6" apart on edges.

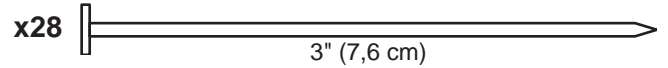
Note the panel lip-edge/square edge orientation.



Your 10' WALL 01 is now assembled. Carefully flip the wall over.

10' WALL 02

PARTS REQUIRED:



x2 **RL**
2 x 4 x 24" (5,1 x 10,2 x 61 cm)

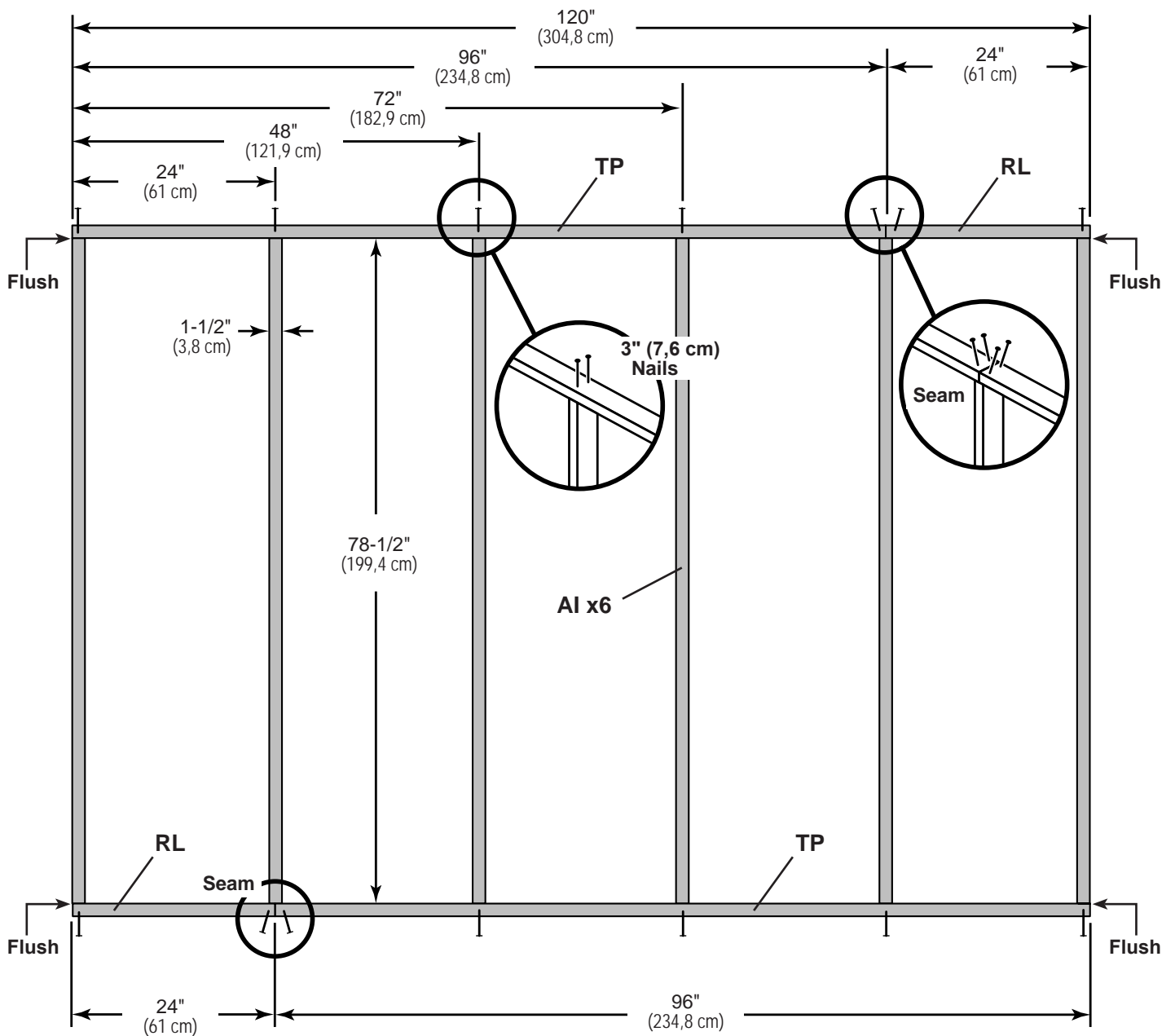
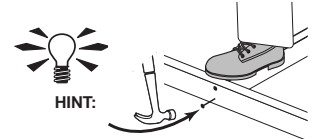
x6 **AI**
2 x 4 x 78-1/2" (5,1 x 10,2 x 199,4 cm)

x2 **TP**
2 x 4 x 96" (5,1 x 10,2 x 243,8 cm)



✓ BEGIN

- 1 Orient parts on edge on floor as shown. Measure and mark from end of boards.
Secure with (2) 3" nails at each connection and (4) 3" nails at seams.

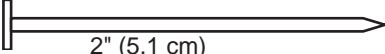


10' WALL 02

PARTS REQUIRED:

x1  23-7/8" x 84"
(60,6 x 213,4 cm)

x2  48 x 84"
(121,9 x 213,4 cm)

x136  2" (5,1 cm)

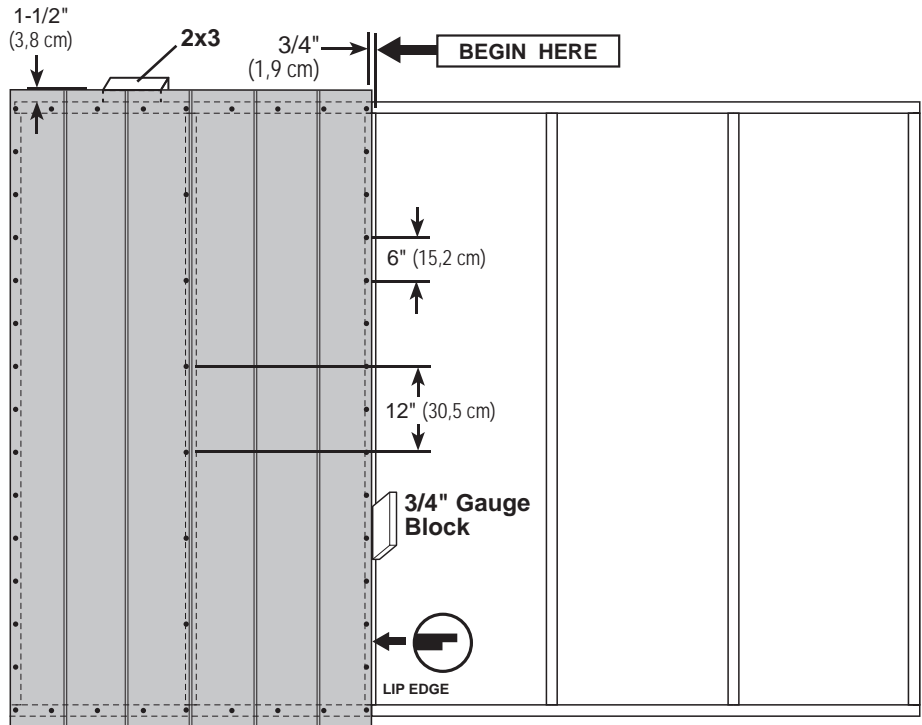


2
Install 48" x 84" panel 1-1/2" from the top plate.

Use a 2x3 spacer for consistent measurement.

Secure panel with 2" nails spaced 6" apart on edges and 12" inside panel.

Note the panel lip-edge/square edge orientation.

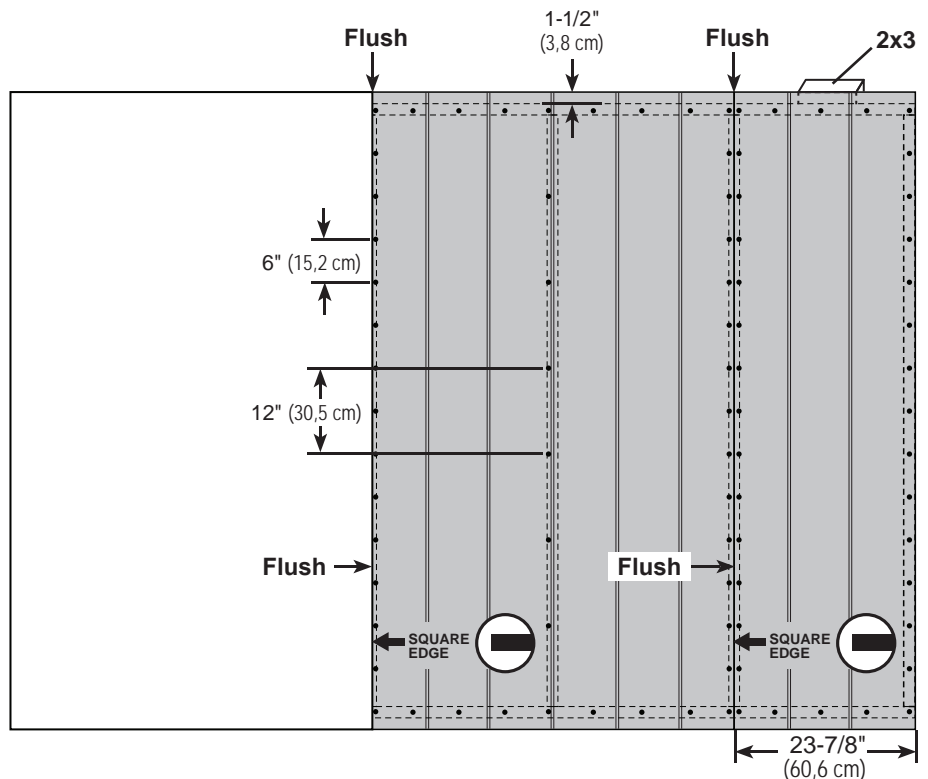


3
Install the 48" x 84" and (2) 23-7/8" x 84" panels flush to installed panels.

Locate panels 1-1/2" from the top plate.

Secure with 2" nails spaced 6" apart on edges and 12" apart inside panel.

Note the panel lip-edge/square edge orientation.



Your 10' WALL 02 is now assembled.
Carefully flip the wall over.

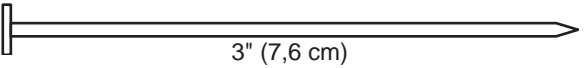
10' WALL 03

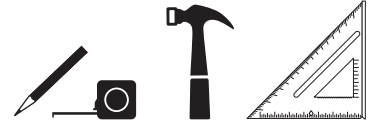
PARTS REQUIRED:

x2 **SL**
2 x 4 x 36" (5,1 x 10,2 x 91,4 cm)

x7 **AI**
2 x 4 x 78-1/2" (5,1 x 10,2 x 199,4 cm)

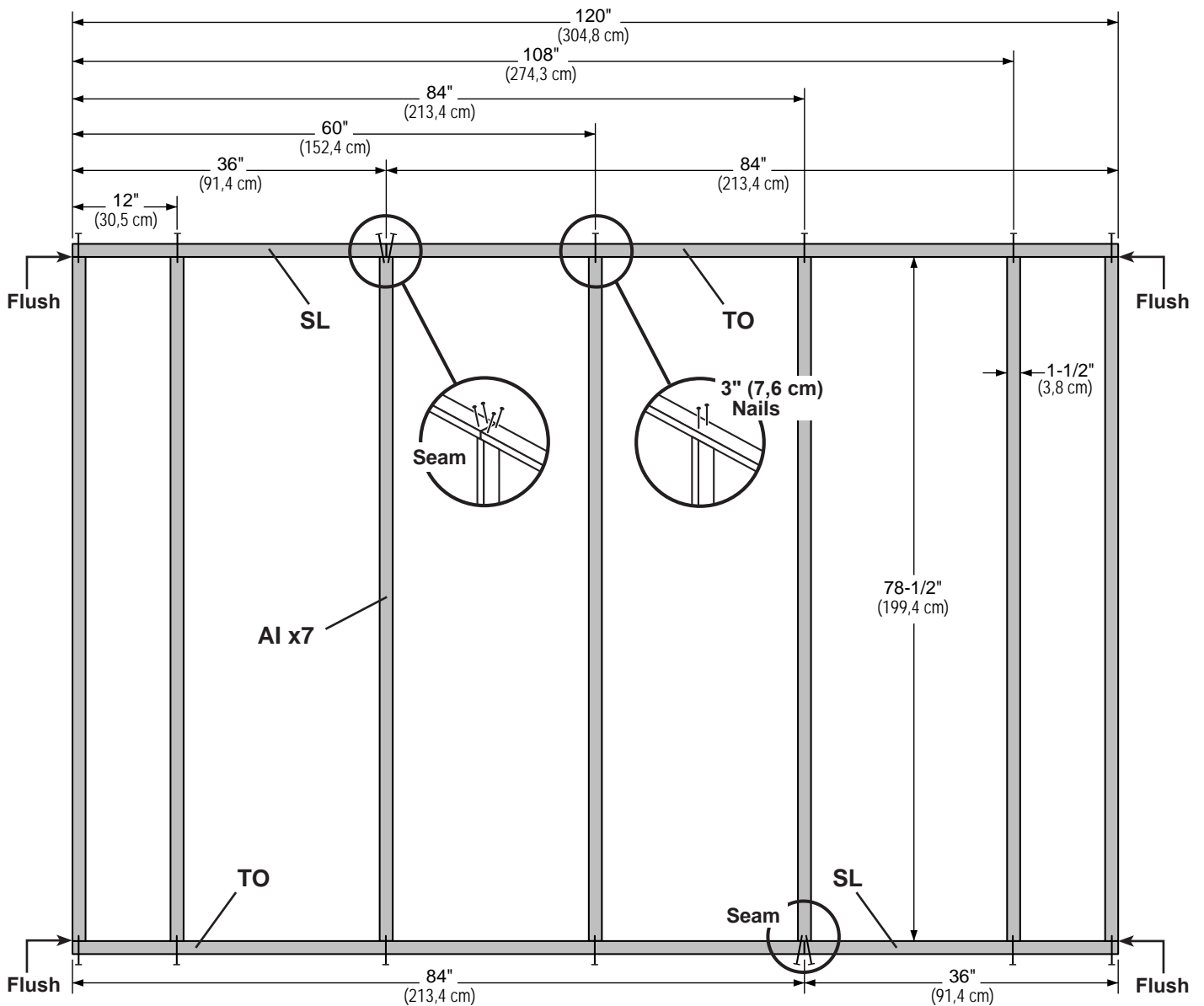
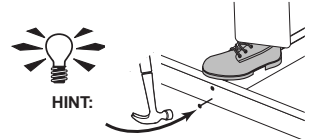
x2 **TO**
2 x 4 x 84" (5,1 x 10,2 x 213,4 cm)

x32  3" (7,6 cm)



✓ BEGIN

- 1 Orient parts on edge on floor as shown. Measure and mark from end of boards.
Secure with (2) 3" nails at each connection and (4) 3" nails at seams.



10' WALL 03

PARTS REQUIRED:

(x1 Left & x1 Right)
x2 11-7/8" x 84" (30,2 x 213,4 cm)

x2 48 x 84"
 (121,9 x 213,4 cm)

x164 2" (5,1 cm)



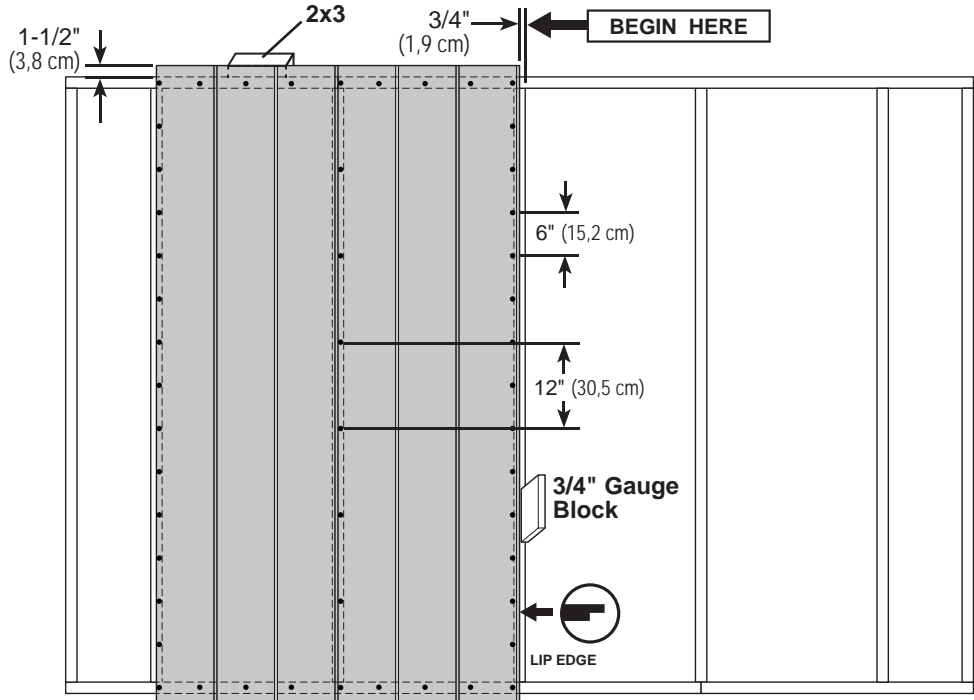
2

Install 48" x 84" panel 1-1/2" from the top plate.

Use a 2x3 spacer for consistent measurement.

Secure panel with 2" nails spaced 6" apart on edges and 12" inside panel.

Note the panel lip-edge/square edge orientation.



3

Install the 48" x 84" and (2) 11-7/8" x 84" panels flush to installed panels.

Locate panels 1-1/2" from the top plate.

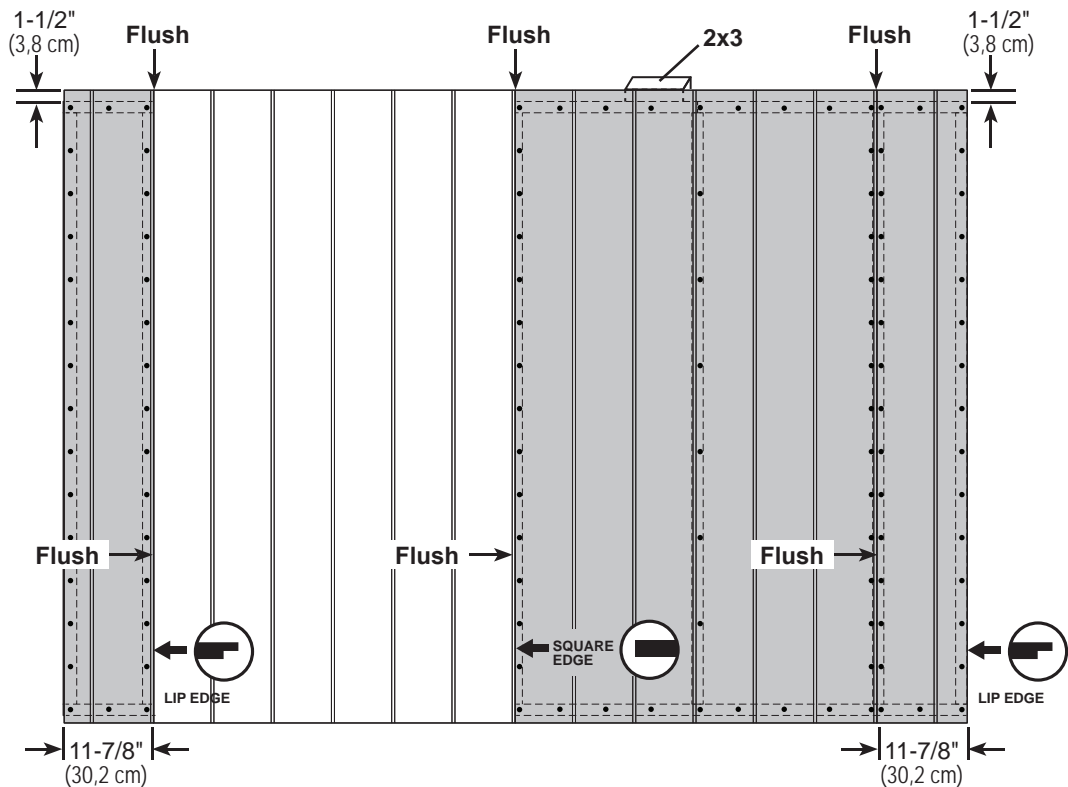
Secure with 2" nails spaced 6" apart on edges and 12" apart inside panel.

Note the panel lip-edge/square edge orientation.



Your 10' WALL 03 is now assembled.

Carefully flip the wall over.



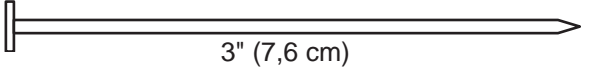
10' WALL 04

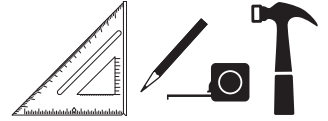
PARTS REQUIRED:

x2 **STL**
2 x 4 x 44-1/2" (5,1 x 10,2 x 113 cm)

x2 **YFA**
2 x 4 x 68-1/2" (5,1 x 10,2 x 174 cm)

x4 **AI**
2 x 4 x 78-1/2" (5,1 x 10,2 x 199,4 cm)

x20  3" (7,6 cm)

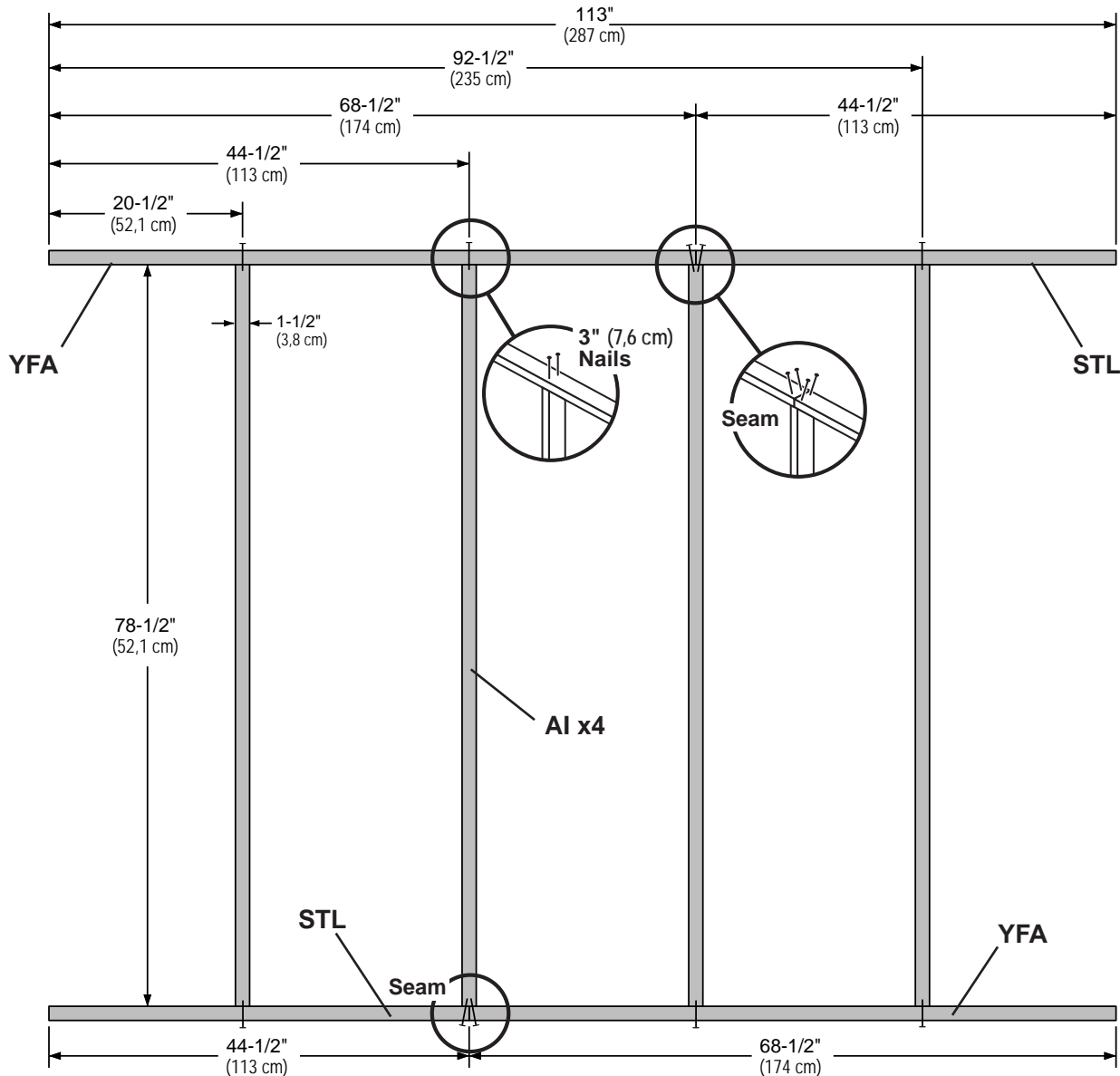
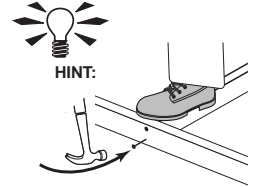


Build two identical walls if your 10'x10' shed has the door on the gable side.

BEGIN

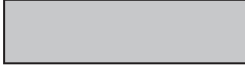
1 Orient parts on edge on floor. Measure and mark from end of boards.


Secure with (2) 3" nails at each connection and (4) 3" nails at seams.

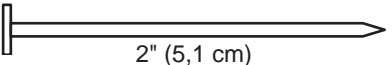



10' WALL 04

PARTS REQUIRED:

x1  23-7/8" x 84"
(60,6 x 213,4 cm)

x2  48" x 84"
(121,9 x 213,4 cm)

x106  2" (5,1 cm)

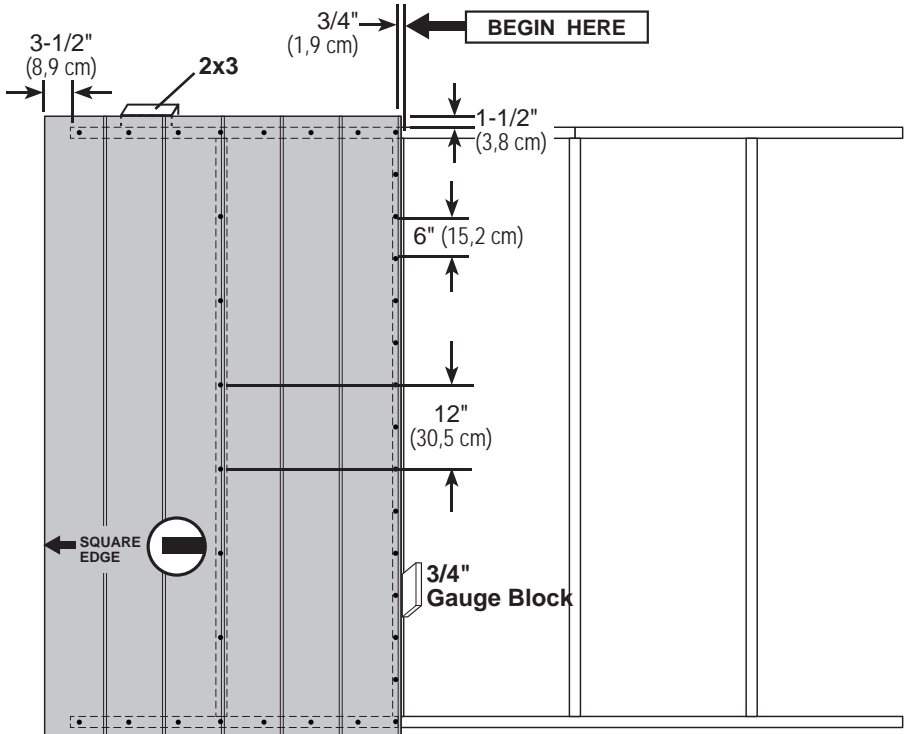


2
Install 48" x 84" panel 1-1/2" from the top plate.

Use a 2x3 spacer for consistent measurement.

Secure panel with 2" nails spaced 6" apart on edges and 12" inside panel.

Note the panel lip-edge/square edge orientation.

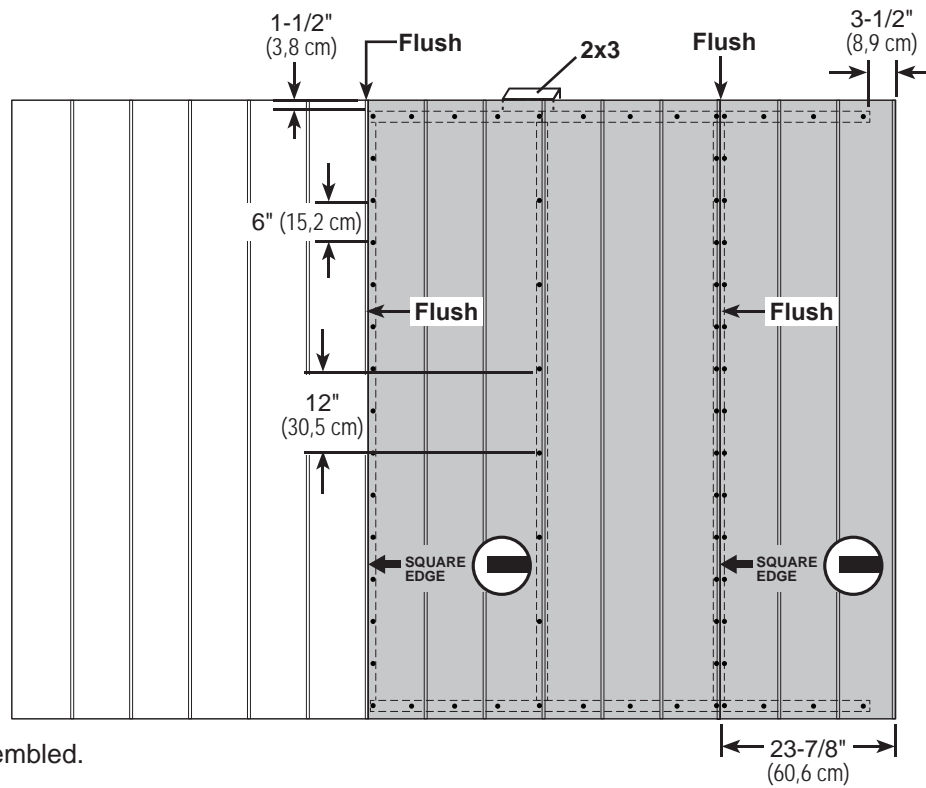


3
Install next 48" x 84" and (1) 23-7/8" panel flush to installed panels.

Locate panels 1-1/2" from the top plate.

Secure with 2" nails spaced 6" apart on edges and 12" apart inside panel.

Note the panel lip-edge/square edge orientation.



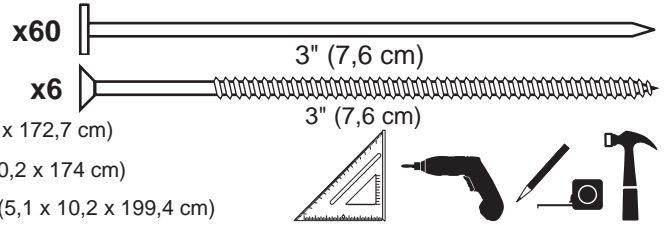
Your 10' WALL 04 is now assembled.

Carefully flip the wall over.

10' WALL 05

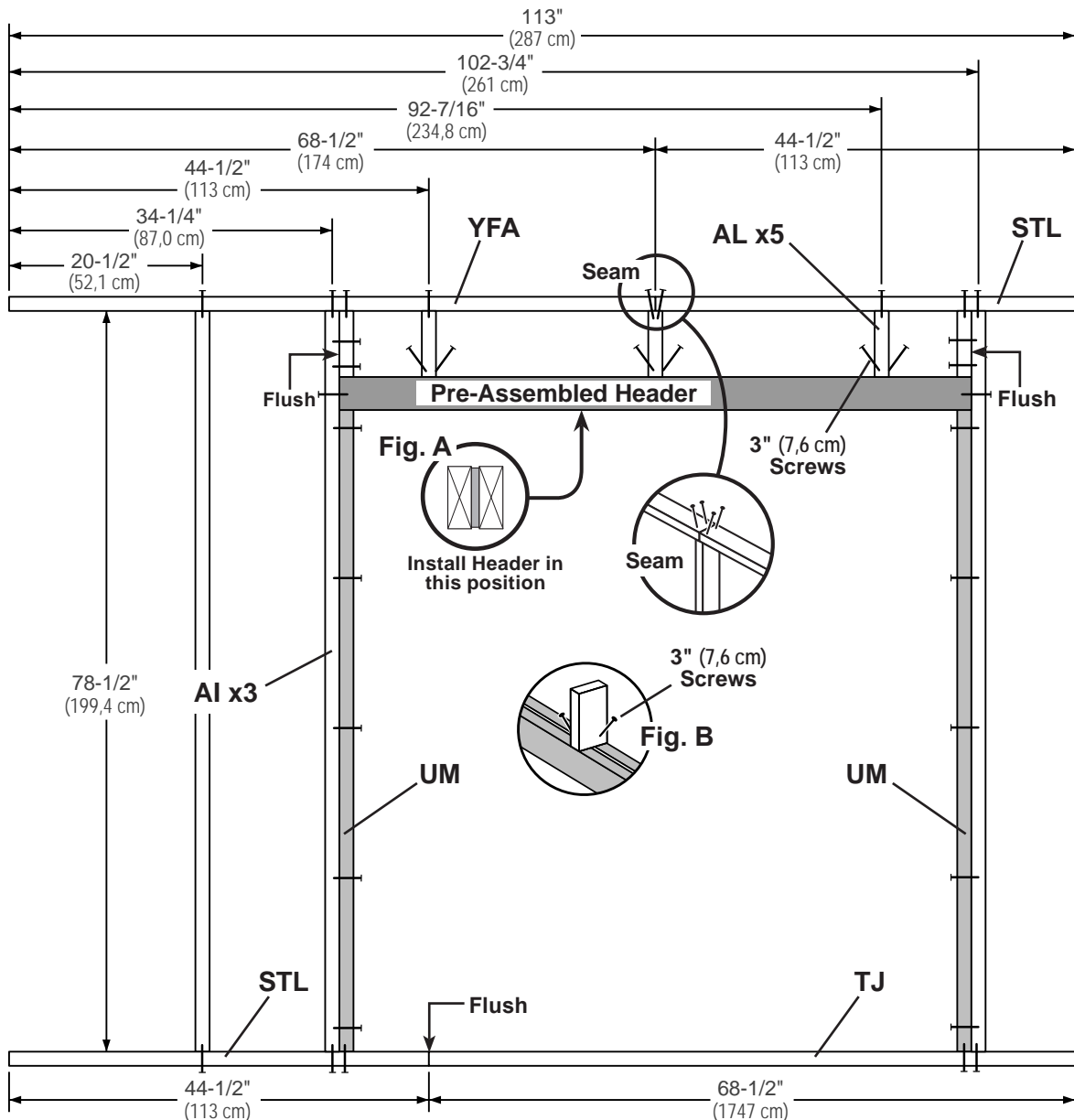
PARTS REQUIRED:

x5	AL	2 x 4 x 7" (5,1 x 10,2 x 17,8 cm)
x2	STL	2 x 4 x 44-1/2" (5,1 x 10,2 x 113 cm)
x2	UM	2 x 4 x 68" (5,1 x 10,2 x 172,7 cm)
x2	YFA	2 x 4 x 68-1/2" (5,1 x 10,2 x 174 cm)
x3	AI	2 x 4 x 78-1/2" (5,1 x 10,2 x 199,4 cm)
x1	Pre Assembled Header	



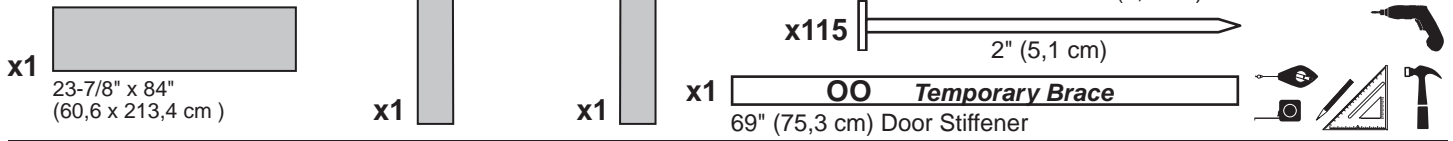
✓ BEGIN

- 1 Orient parts on edge on floor as shown. Measure and mark from end of boards. Orient **Pre Assembled Header** as shown (**Fig. A**). Secure with (2) 3" nails at each connection and (4) 3" nails at seams.
- 2 Fasten (3) middle parts **AL** to **Pre Assembled Header** with (2) 3" screws (**Fig. B**). Fasten (2) end **AL** to studs **AI** with (4) 3" nails at each side. Secure parts **AL** to top plates with (2) 3" nails at each connection and (4) 3" nails at seam.



10' WALL 05

PARTS REQUIRED:



3

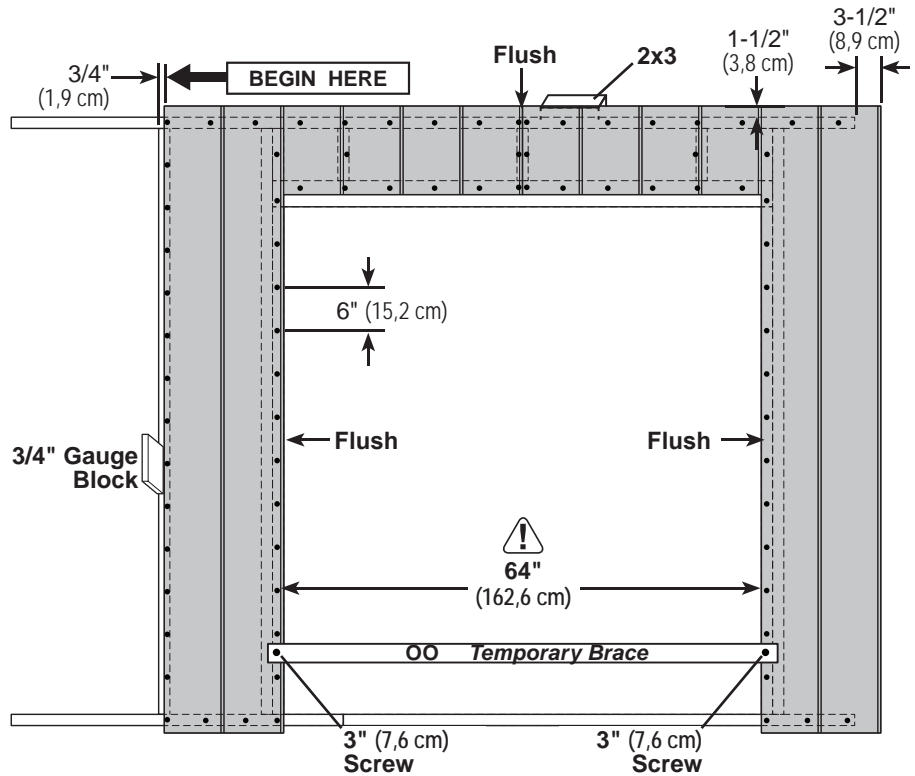
Install the left panel 1-1/2" from the top plate. Use a 2x3 spacer for consistent measurement.

Secure panel with 2" nails spaced 6" apart on edges.

4

Install the right panel flush to installed panel, as shown. Ensure 64" (162,8 cm) door measurement. Use part OO as a temporary brace. Secure with with (2) 3" screws.

Secure panel with 2" nails spaced 6" apart on edges.

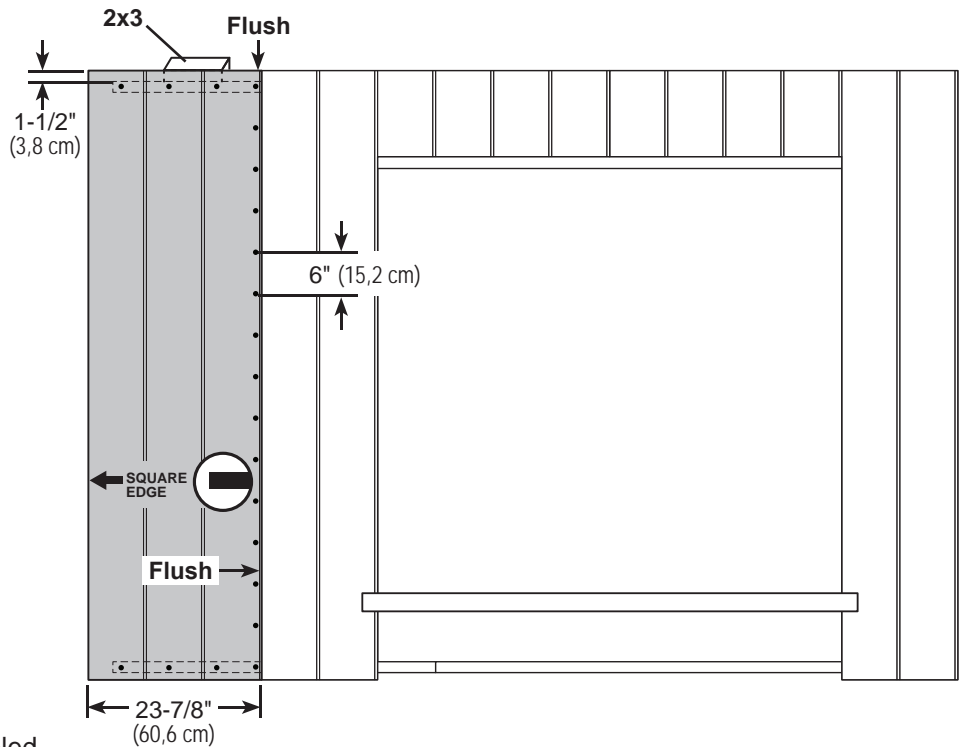


5

Install 23-7/8" x 84" panel flush to installed panel and 1-1/2" from the top plate.

Secure panel with 2" nails spaced 6" apart on edges.

Note the panel lip-edge/square edge orientation.

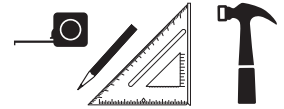
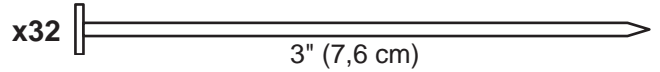


Your 10' WALL 05 is now assembled. Carefully flip the wall over.

14' WALL 06

PARTS REQUIRED:

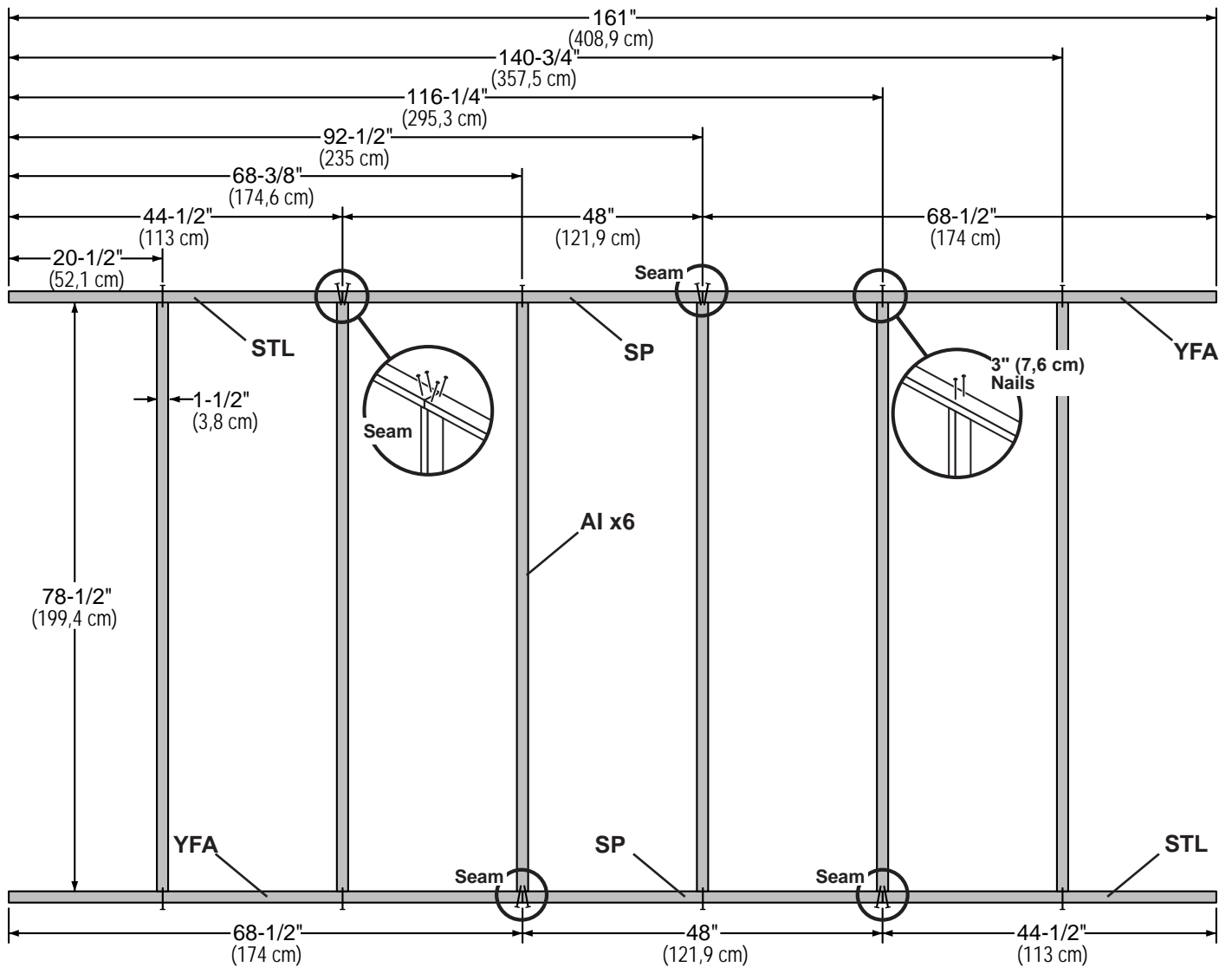
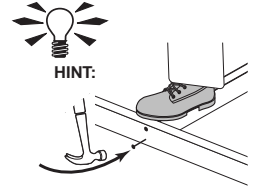
- x2 **STL** 2 x 4 x 44-1/2" (5,1 x 10,2 x 113 cm)
- x2 **SP** 2 x 4 x 48" (5,1 x 10,2 x 121,9 cm)
- x6 **AI** 2 x 4 x 78-1/2" (5,1 x 10,2 x 199,4 cm)
- x2 **YFA** 2 x 4 x 68-1/2" (5,1 x 10,2 x 174 cm)



Build two identical walls if your 10'x14' shed has the door on the gable side.

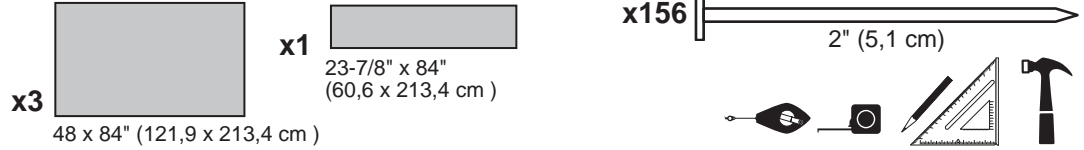
✓ BEGIN

- 1 Orient parts on edge on floor. Measure and mark from end of boards.
Secure with (2) 3" nails at each connection and (4) 3" nails at seams.



14' WALL 06

PARTS REQUIRED:



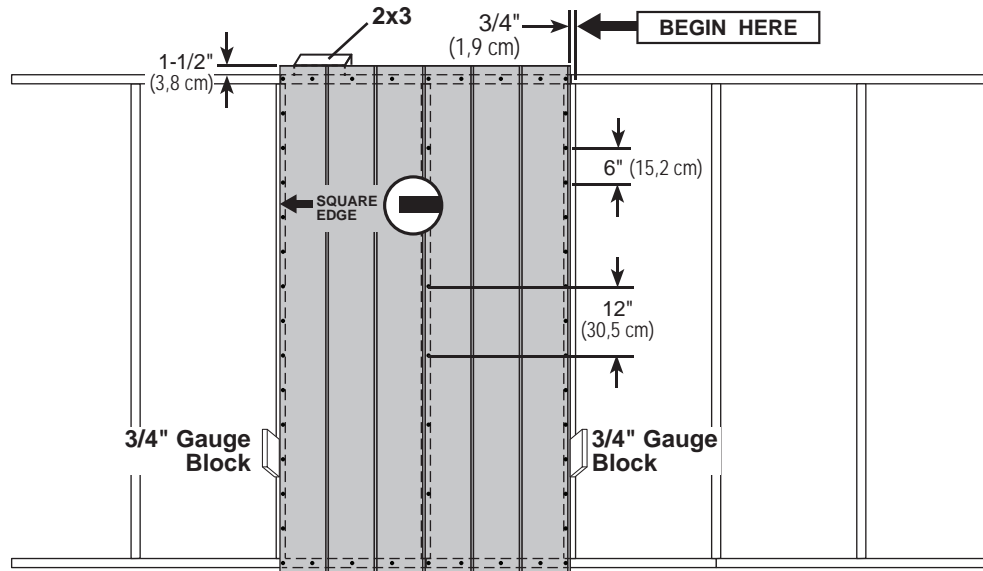
2

Install (1) 48" x 84" panel 1-1/2" from the top plate.

Use a 2x3 spacer for consistent measurement.

Secure panel with 2" nails spaced 6" apart on edges and 12" inside panel.

Note the panel lip-edge/square edge orientation.



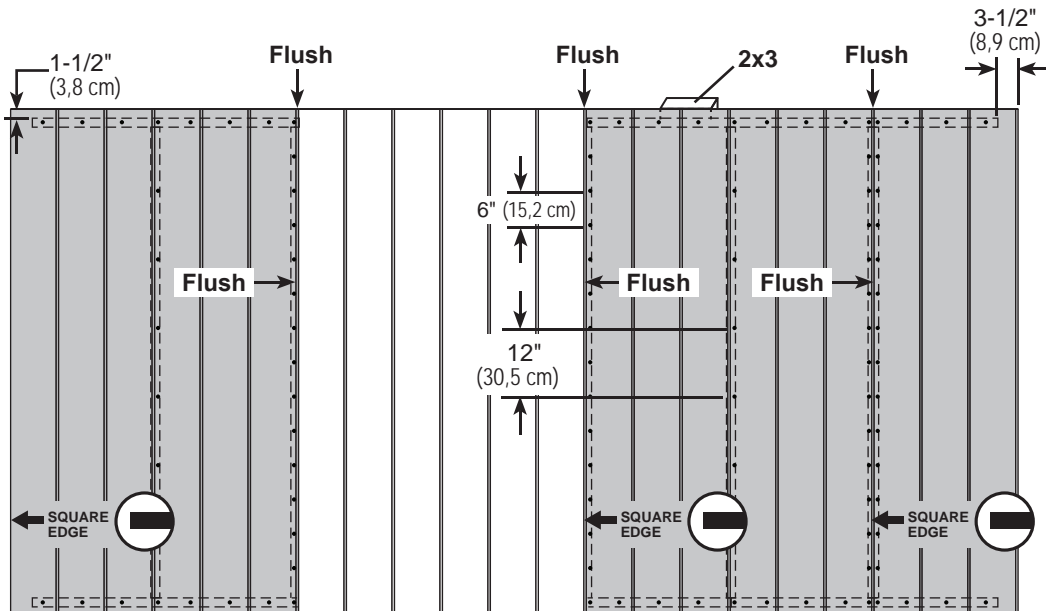
3

Install (2) 48" x 84" and 23-7/8" x 84" panels flush to installed panels.

Locate panels 1-1/2" from the top plate.

Secure with 2" nails spaced 6" apart on edges and 12" apart inside panel.

Note the panel lip-edge/square edge orientation.










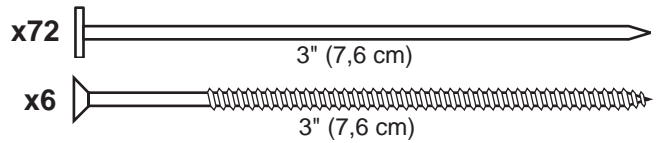
Your 14' WALL 06 is now assembled.

Carefully flip the wall over.

14' WALL 07

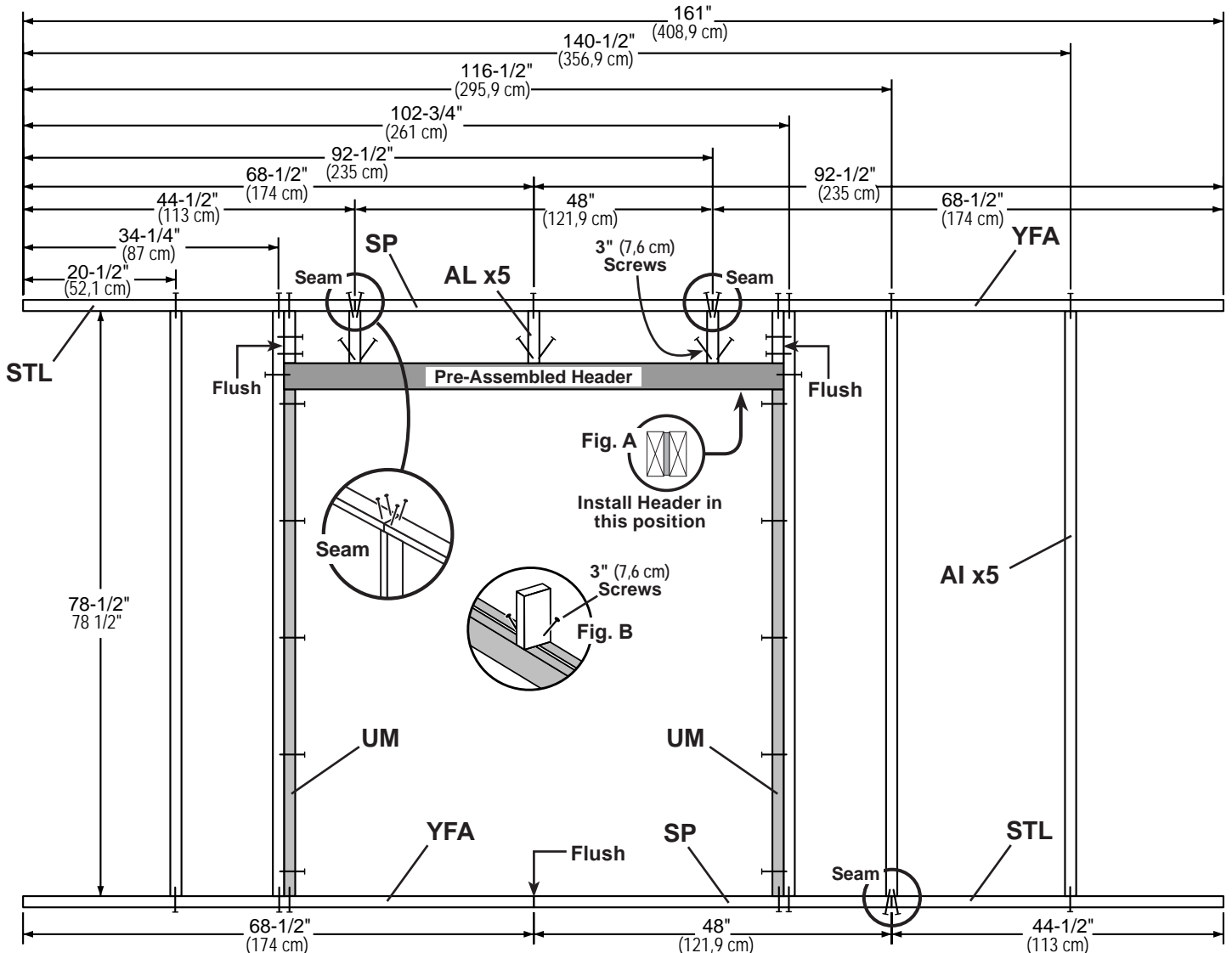
PARTS REQUIRED:

- x2 **STL**  2 x 4 x 44-1/2" (5,1 x 10,2 x 113 cm)
- x2 **SP**  2 x 4 x 48" (5,1 x 10,2 x 121,9 cm)
- x2 **UM**  2 x 4 x 68" (5,1 x 10,2 x 172,7 cm)
- x2 **YFA**  2 x 4 x 68-1/2" (5,1 x 10,2 x 174 cm)
- x5 **AI**  2 x 4 x 78-1/2" (5,1 x 10,2 x 199,4 cm)
- Pre Assembled Header**  x5 **AL**  2 x 4 x 7" (5,1 x 10,2 x 17,8 cm)



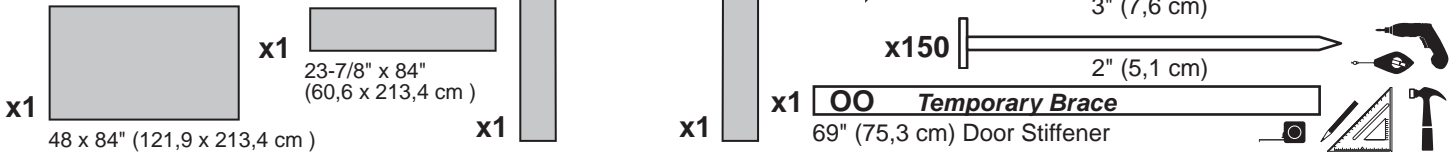
✓ BEGIN

- 1 Orient parts on edge on floor as shown. Measure and mark from end of boards.
Orient **Pre Assembled Header** as shown (**Fig. A**).
Secure with (2) 3" nails at each connection and (4) 3" nails at seams.
- 2 Fasten (3) middle parts **AL** to **Pre Assembled Header** with (2) 3" screws (**Fig. B**).
Fasten (2) end **AL** to studs **AI** with (4) 3" nails at each side.
Secure parts **AL** to top plates with (2) 3" nails at each connection and (4) 3" nails at seam.



14' WALL 07

PARTS REQUIRED:



3

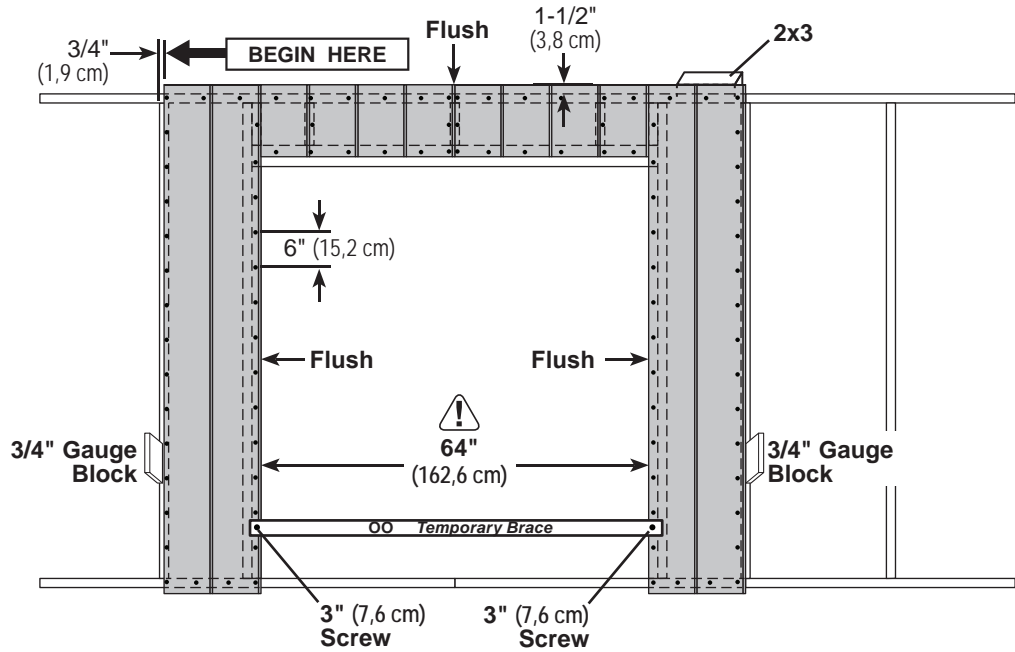
Install the left panel 1-1/2" from the top plate. Use a 2x3 spacer for consistent measurement.

Secure panel with 2" nails spaced 6" apart on edges.

4

Install the right panel flush to installed panel, as shown. Ensure 64" (162,8 cm) door measurement. Use part OO as a temporary brace. Secure with with (2) 3" screws.

Secure panel with 2" nails spaced 6" apart on edges.

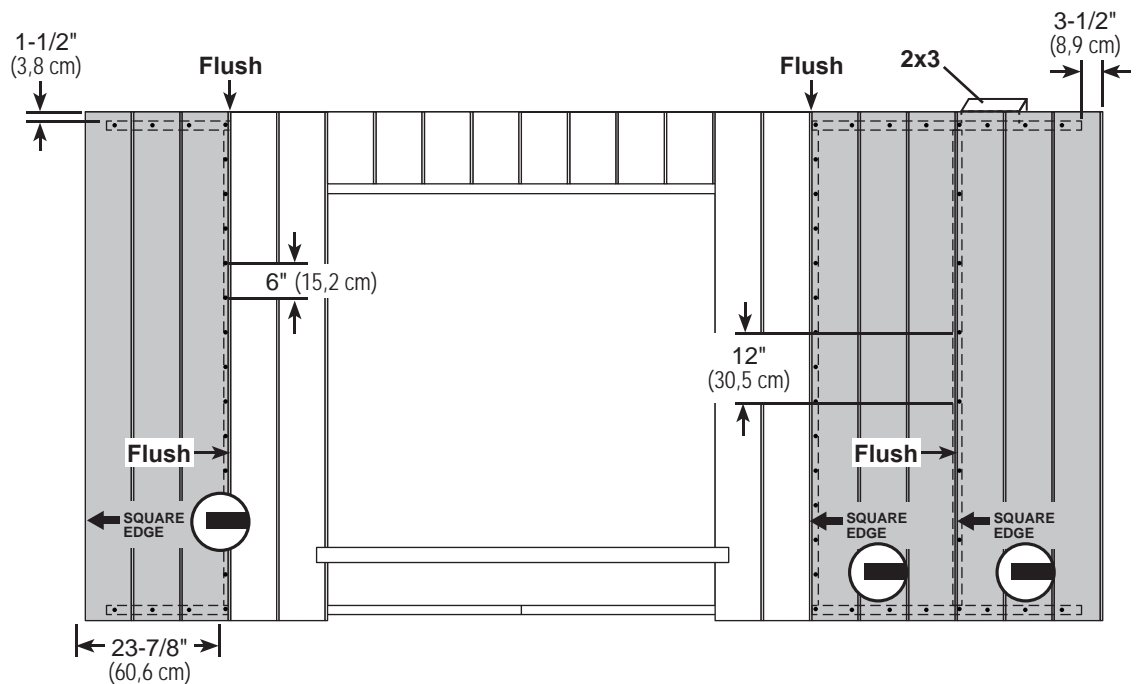


5

Install 48" x 84" and 23-7/8" x 84" panels flush to installed panels and 1-1/2" from the top plate.

Secure panels with 2" nails spaced 6" apart on edges and 12" inside panel..








Note the panel lip-edge/square edge orientation.

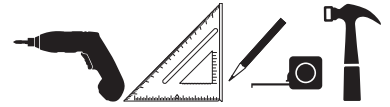
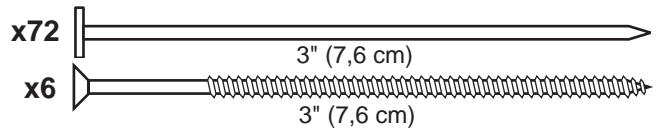


Your 14' WALL 07 is now assembled. Carefully flip the wall over.

14' WALL 08

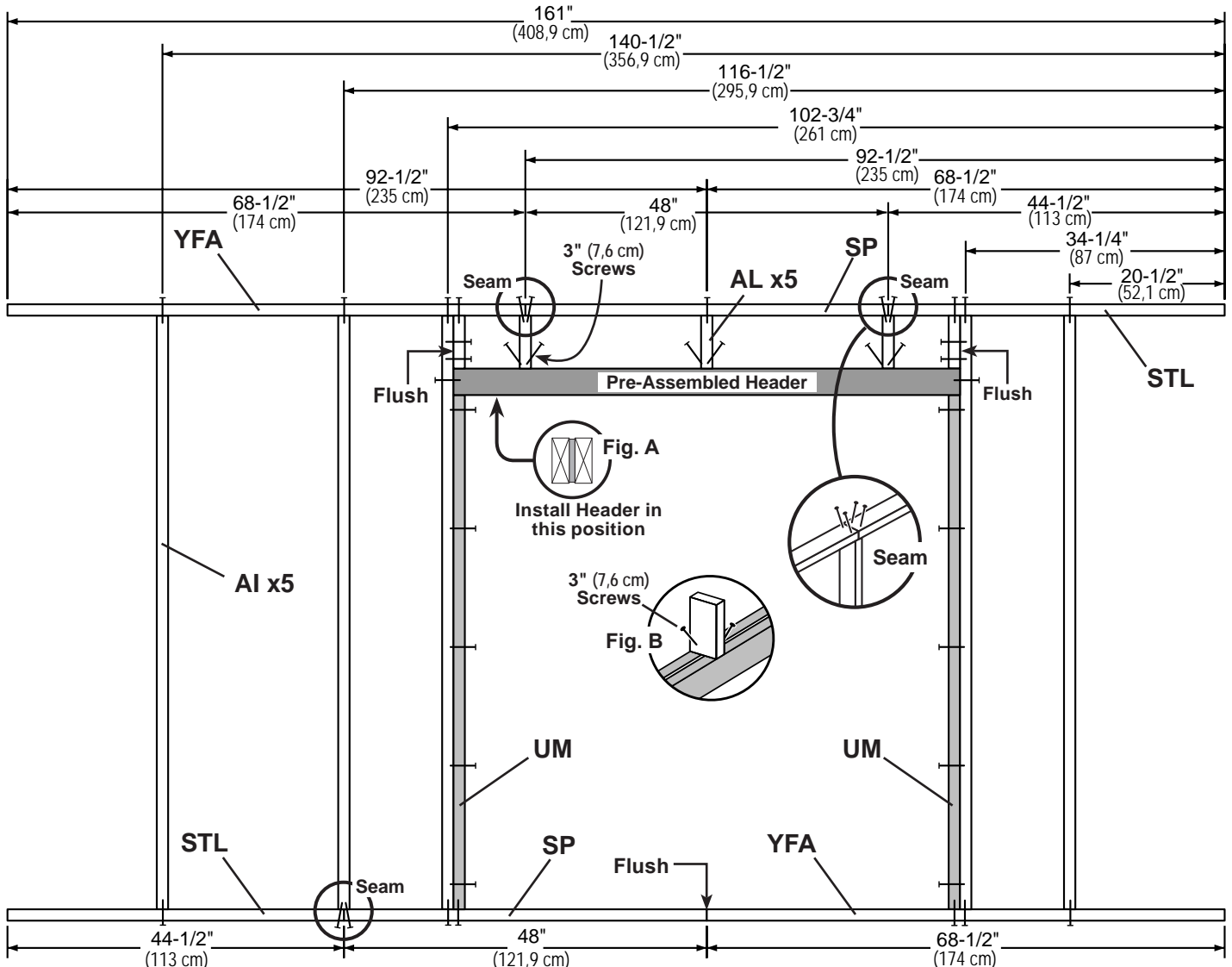
PARTS REQUIRED:

- x2 **STL**  2 x 4 x 44-1/2" (5,1 x 10,2 x 113 cm)
- x2 **SP**  2 x 4 x 48" (5,1 x 10,2 x 121,9 cm)
- x2 **UM**  2 x 4 x 68" (5,1 x 10,2 x 172,7 cm)
- x2 **YFA**  2 x 4 x 68-1/2" (5,1 x 10,2 x 174 cm)
- x5 **AI**  2 x 4 x 78-1/2" (5,1 x 10,2 x 199,4 cm)
- Pre Assembled Header**  x5 **AL**  2 x 4 x 7" (5,1 x 10,2 x 17,8 cm)



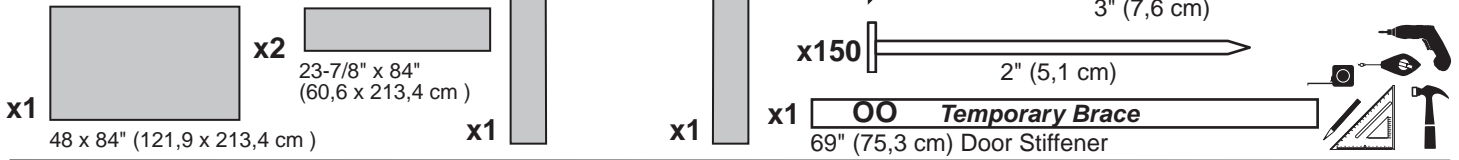
✓ BEGIN

- 1 Orient parts on edge on floor as shown. Measure and mark from end of boards.
Orient **Pre Assembled Header** as shown (**Fig. A**).
Secure with (2) 3" nails at each connection and (4) 3" nails at seams.
- 2 Fasten (3) middle parts **AL** to **Pre Assembled Header** with (2) 3" screws (**Fig. B**).
Fasten (2) end **AL** to studs **AI** with (4) 3" nails at each side.
Secure parts **AL** to top plates with (2) 3" nails at each connection and (4) 3" nails at seam.



14' WALL 08

PARTS REQUIRED:

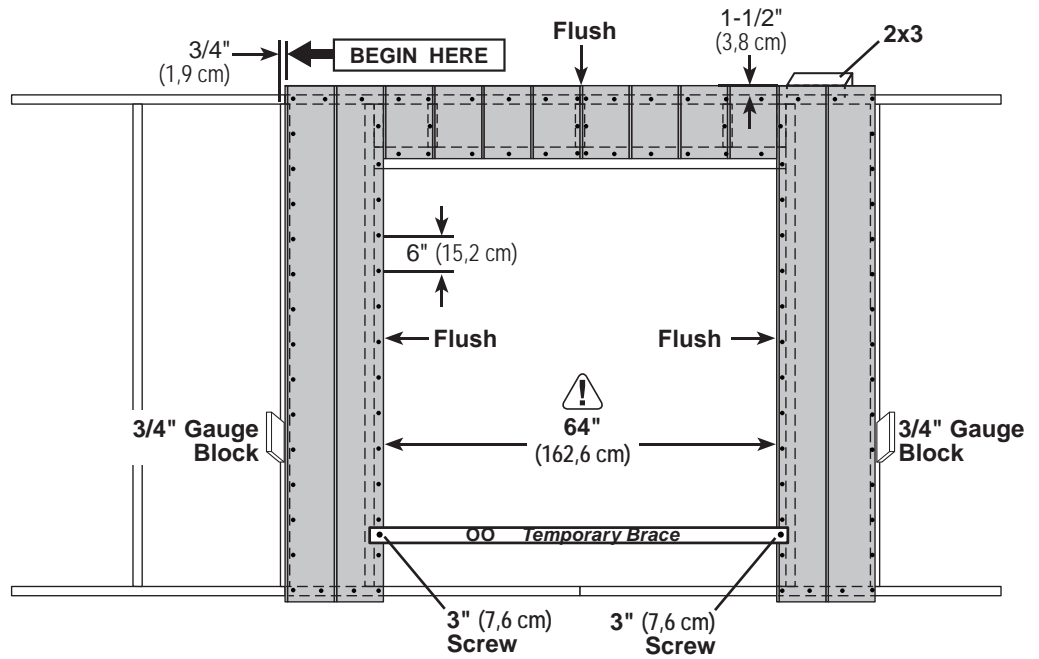


3
Install the left panel 1-1/2" from the top plate.
Use a 2x3 spacer for consistent measurement.

Secure panel with 2" nails spaced 6" apart on edges.

4
Install the right panel flush to installed panel, as shown.
Ensure 64" (162,8 cm) door measurement.
Use part OO as a temporary brace.
Secure with with (2) 3" screws.

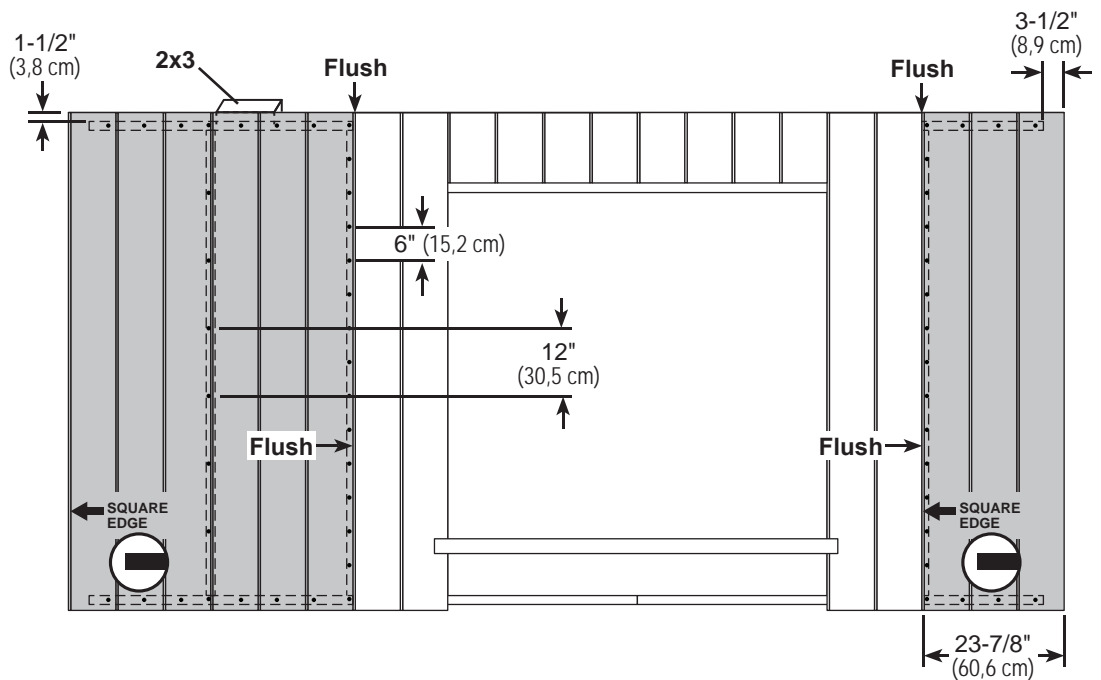
Secure panel with 2" nails spaced 6" apart on edges.



5
Install 48" x 84" and 23-7/8" x 84" and panels flush to installed panels and 1-1/2" from the top plate.

Secure panels with 2" nails spaced 6" apart on edges and 12" inside panel.








Note the panel lip-edge/square edge orientation.

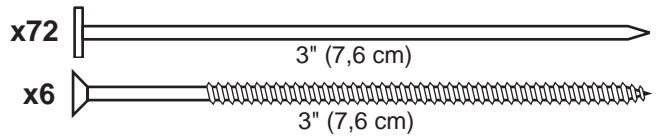


Your 14' WALL 08 is now assembled.
Carefully flip the wall over.

14' WALL 09

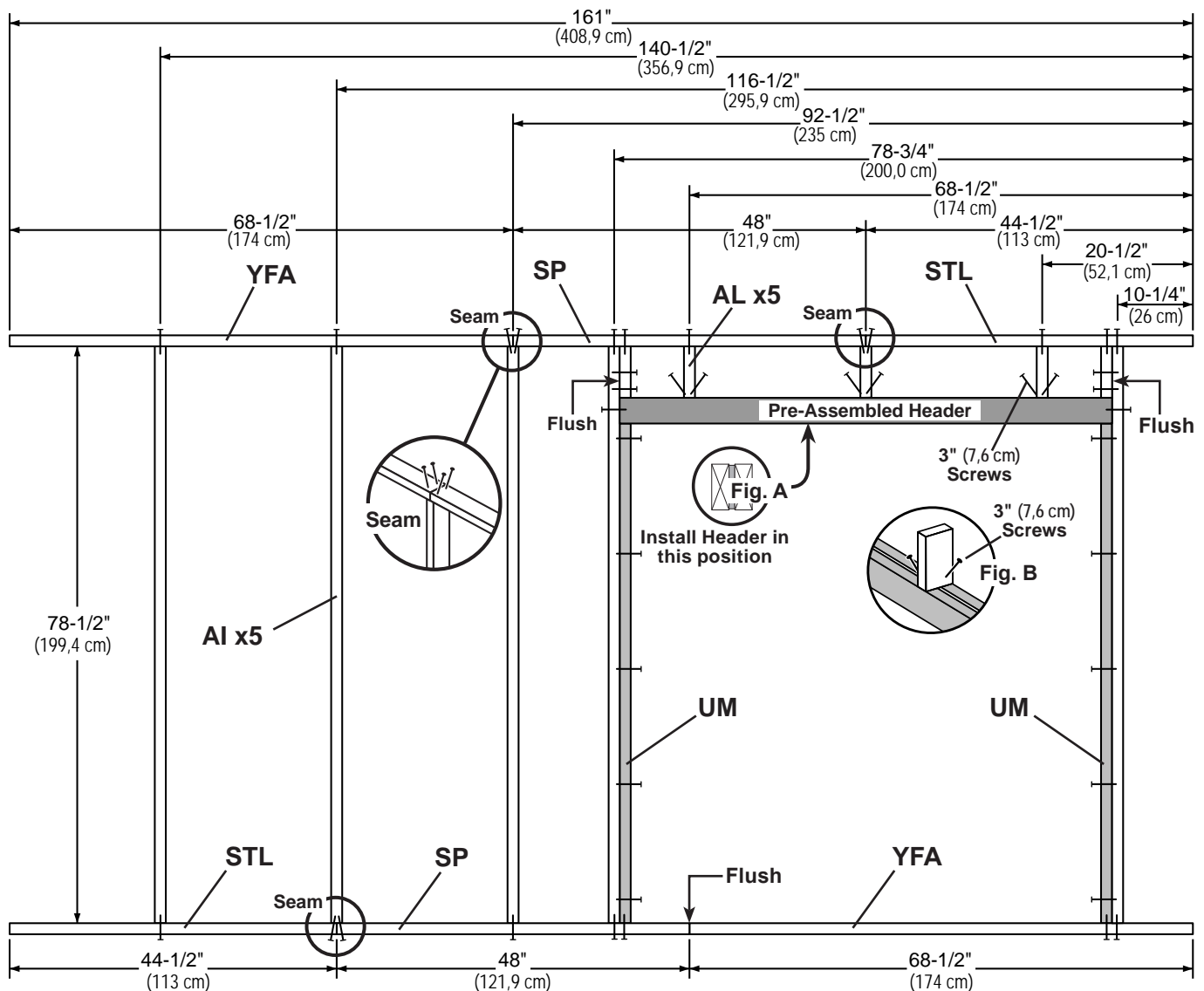
PARTS REQUIRED:

- x2 **STL**  2 x 4 x 44-1/2" (5,1 x 10,2 x 113 cm)
- x2 **SP**  2 x 4 x 48" (5,1 x 10,2 x 121,9 cm)
- x2 **UM**  2 x 4 x 68" (5,1 x 10,2 x 172,7 cm)
- x2 **YFA**  2 x 4 x 68-1/2" (5,1 x 10,2 x 174 cm)
- x5 **AI**  2 x 4 x 78-1/2" (5,1 x 10,2 x 199,4 cm)
- Pre Assembled Header**  x5 **AL**  2 x 4 x 7" (5,1 x 10,2 x 17,8 cm)



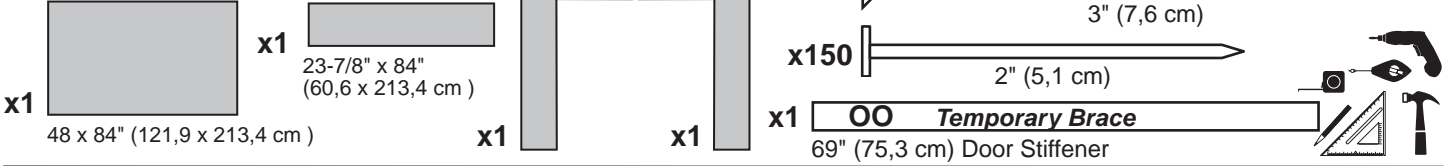
✓ BEGIN

- 1** Orient parts on edge on floor as shown. Measure and mark from end of boards.
Orient **Pre Assembled Header** on flat side (**Fig. A**).
Secure with (2) 3" nails at each connection and (4) 3" nails at seams.
- 2** Fasten (3) middle parts **AL** to **Pre Assembled Header** with (2) 3" screws (**Fig. B**).
Fasten (2) end **AL** to studs **AI** with (4) 3" nails at each side.
Secure parts **AL** to top plates with (2) 3" nails at each connection and (4) 3" nails at seam.



14' WALL 09

PARTS REQUIRED:



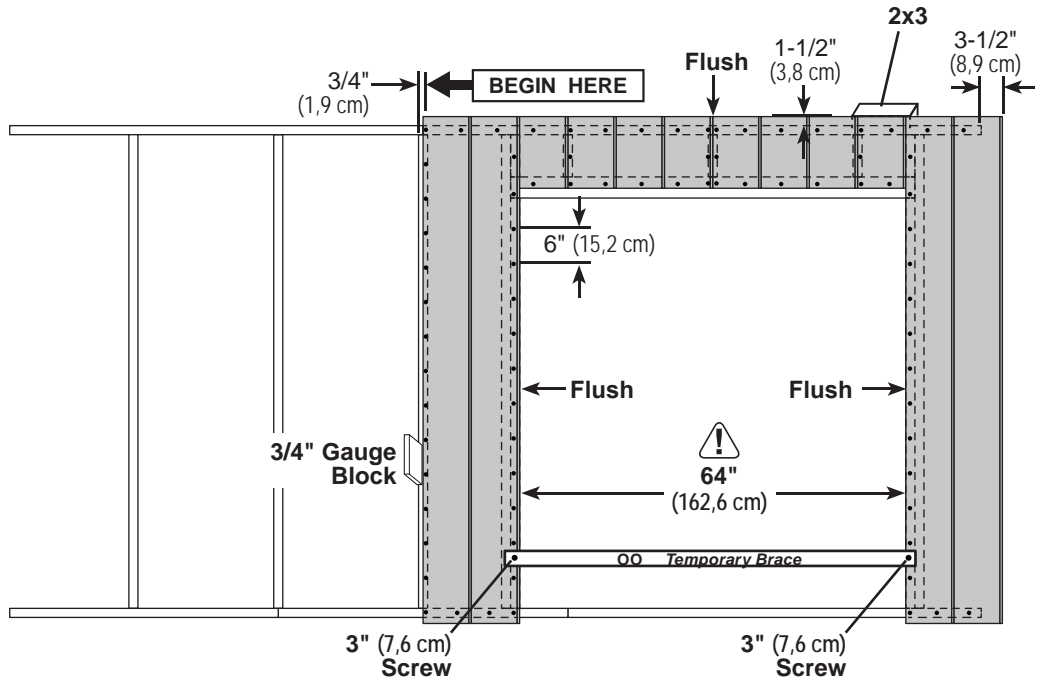
3

Install the left panel 1-1/2" from the top plate. Use a 2x3 spacer for consistent measurement.

Secure panel with 2" nails spaced 6" apart on edges.

4

Install the right panel flush to installed panel, as shown. Ensure 64" (162,8 cm) door measurement. Use part OO as a temporary brace. Secure with with (2) 3" screws.



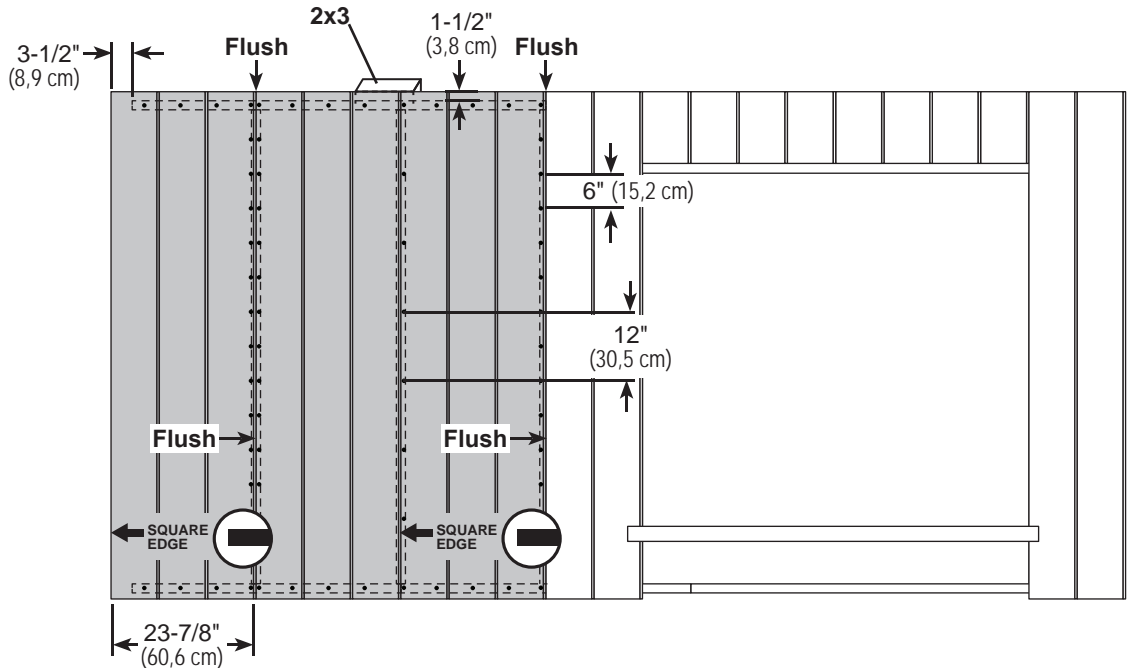
Secure panel with 2" nails spaced 6" apart on edges.

5

Install 48" x 84" and 23-7/8" x 84" panels flush to installed panels and 1-1/2" from the top plate.

Secure panels with 2" nails spaced 6" apart on edges and 12" inside panel.

Note the panel lip-edge/square edge orientation.

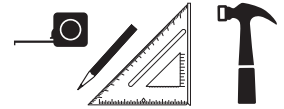
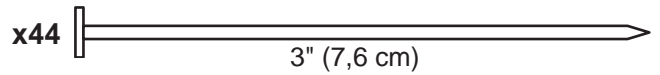


Your 14' WALL 09 is now assembled. Carefully flip the wall over.

18' WALL 10

PARTS REQUIRED:

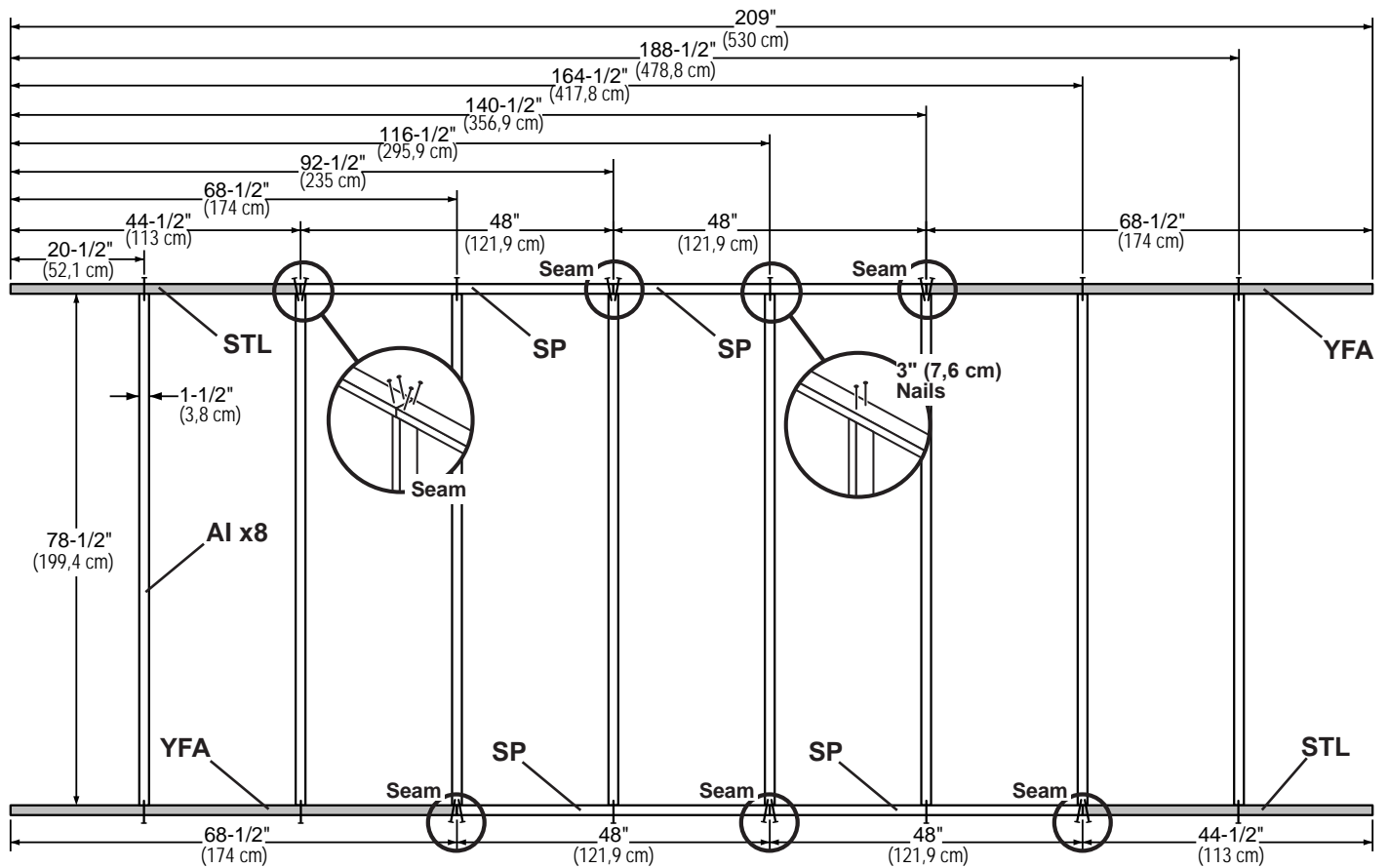
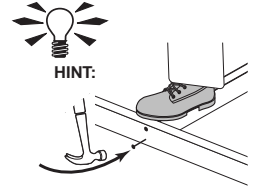
- x2 **STL** 2 x 4 x 44-1/2" (5,1 x 10,2 x 113 cm)
- x4 **SP** 2 x 4 x 48" (5,1 x 10,2 x 121,9 cm)
- x2 **YFA** 2 x 4 x 68-1/2" (5,1 x 10,2 x 174 cm)
- x8 **AI** 2 x 4 x 78-1/2" (5,1 x 10,2 x 199,4 cm)



Build two identical walls if your 10'x18' shed has the door on the gable side.

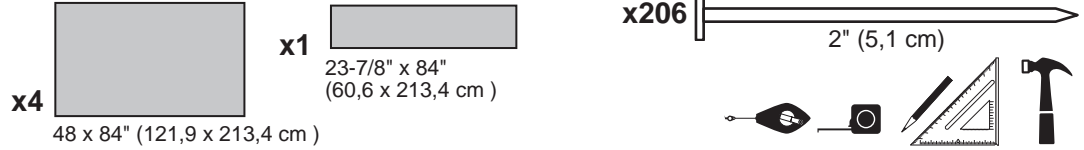
✓ BEGIN

- 1 Orient parts on edge on floor. Measure and mark from end of boards.
Secure with (2) 3" nails at each connection and (4) 3" nails at seams.



18' WALL 10

PARTS REQUIRED:



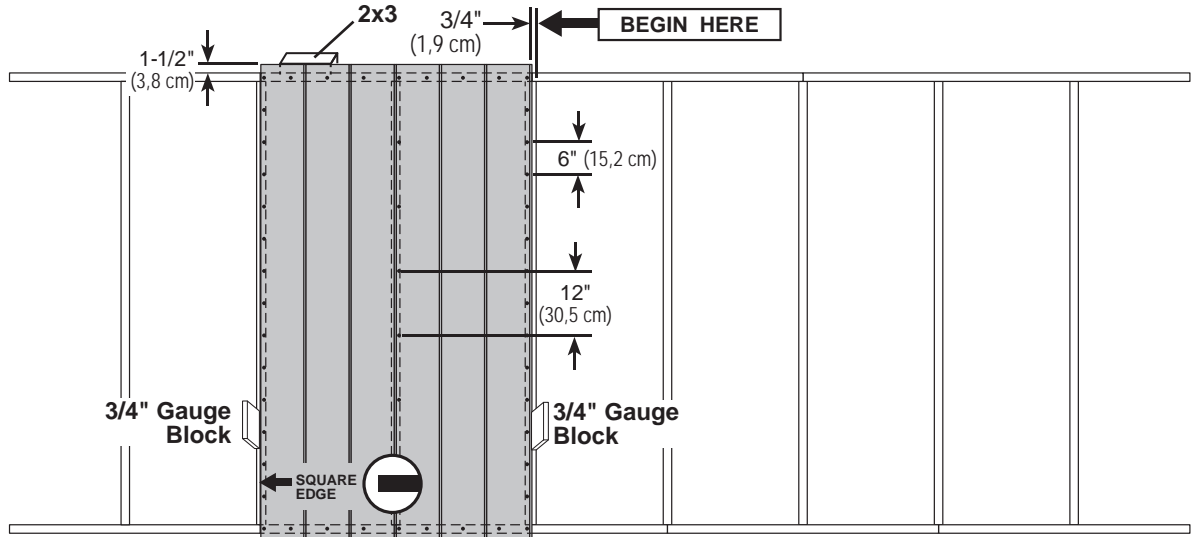
2

Install (1) 48" x 84" panel 1-1/2" from the top plate.

Use a 2x3 spacer for consistent measurement.

Secure panel with 2" nails spaced 6" apart on edges and 12" inside panel.

Note the panel lip-edge/square edge orientation.



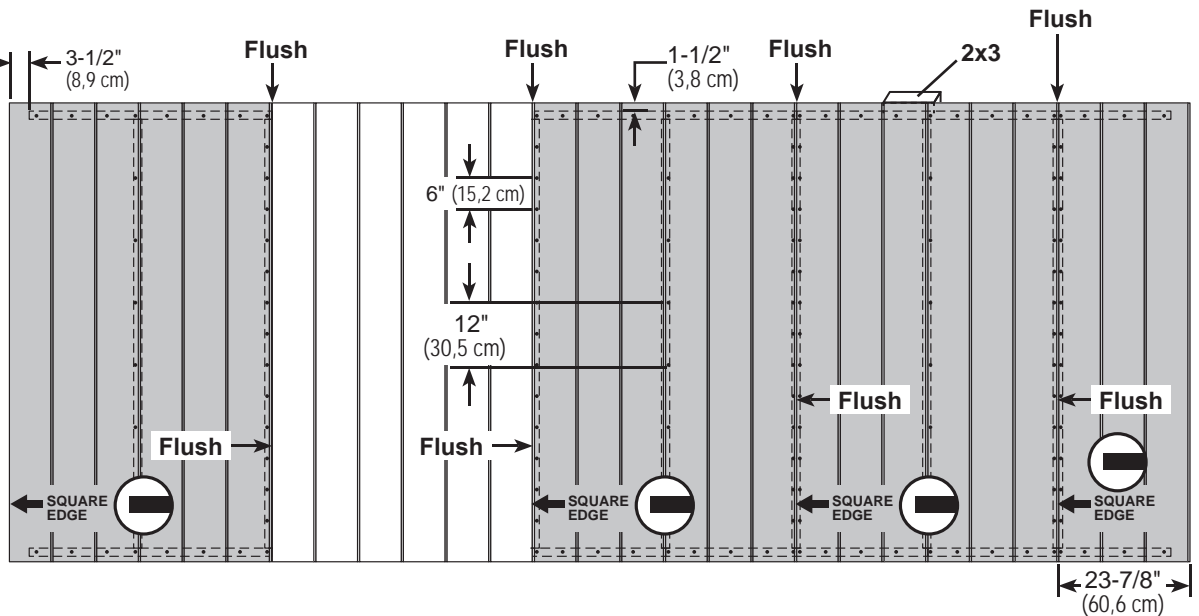
3

Install (3) 48" x 84" and 23-7/8" x 84" panels flush to installed panels.

Locate panels 1-1/2" from the top plate.

Secure with 2" nails spaced 6" apart on edges and 12" apart inside panel.

Note the panel lip-edge/square edge orientation.










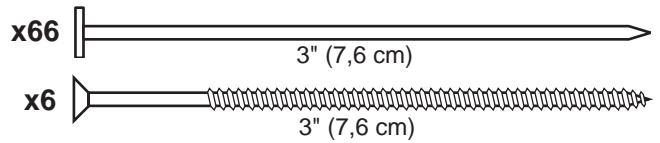
Your 18' WALL 10 is now assembled.

Carefully flip the wall over.

18' WALL 11

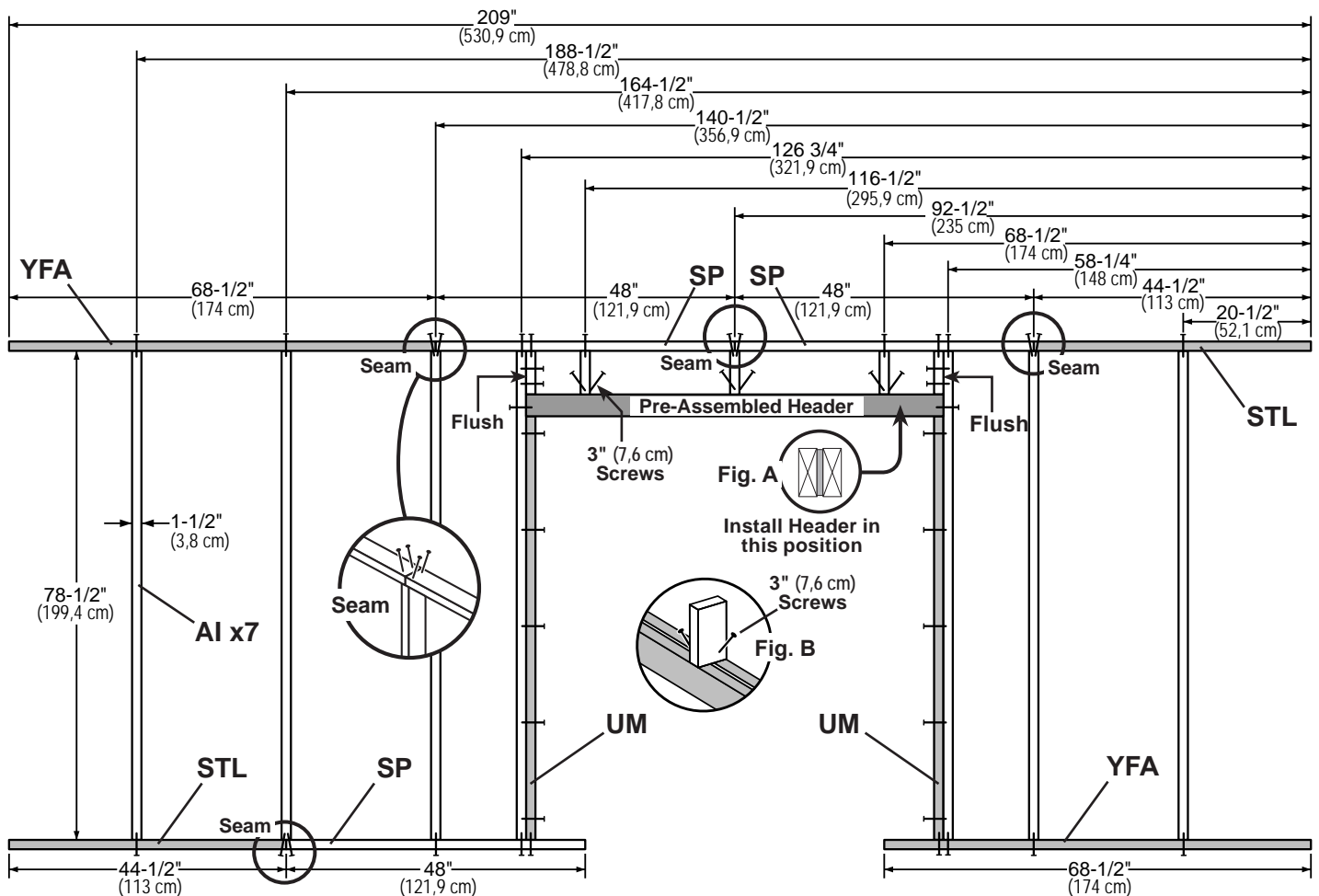
PARTS REQUIRED:

- x2 **STL**  2 x 4 x 44-1/2" (5,1 x 10,2 x 113 cm)
- x3 **SP**  2 x 4 x 48" (5,1 x 10,2 x 121,9 cm)
- x2 **UM**  2 x 4 x 68" (5,1 x 10,2 x 172,7 cm)
- x2 **YFA**  2 x 4 x 68-1/2" (5,1 x 10,2 x 174 cm)
- x7 **AI**  2 x 4 x 78-1/2" (5,1 x 10,2 x 199,4 cm)
- Pre Assembled Header** 
- x5 **AL**  2 x 4 x 7" (5,1 x 10,2 x 17,8 cm)



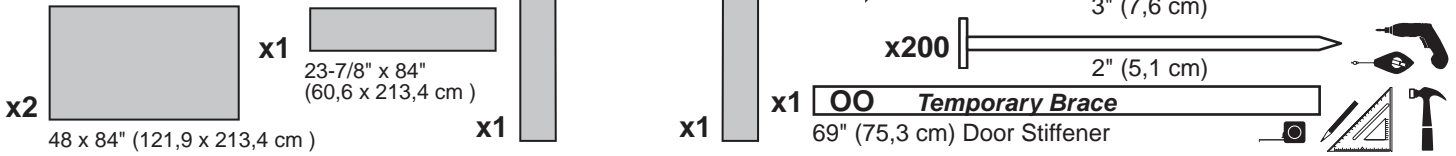
✓ BEGIN

- 1 Orient parts on edge on floor as shown. Measure and mark from end of boards.
Orient **Pre Assembled Header** as shown (**Fig. A**).
Secure with (2) 3" nails at each connection and (4) 3" nails at seams.
- 2 Fasten (3) middle parts **AL** to **Pre Assembled Header** with (2) 3" screws (**Fig. B**).
Fasten (2) end **AL** to studs **AI** with (4) 3" nails at each side.
Secure parts **AL** to top plates with (2) 3" nails at each connection and (4) 3" nails at seams.

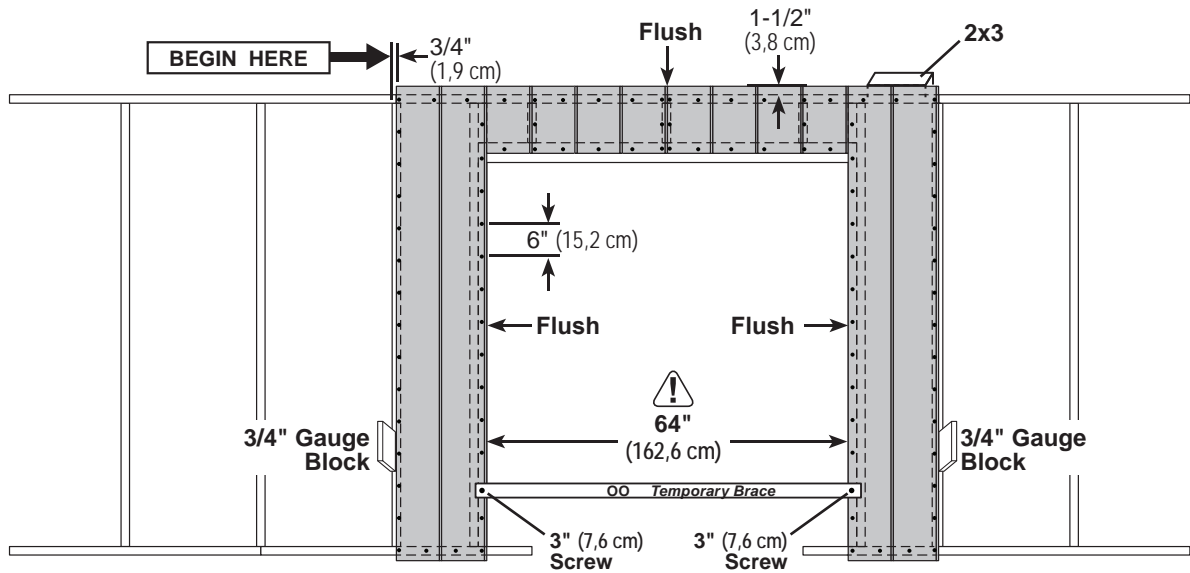


18' WALL 11

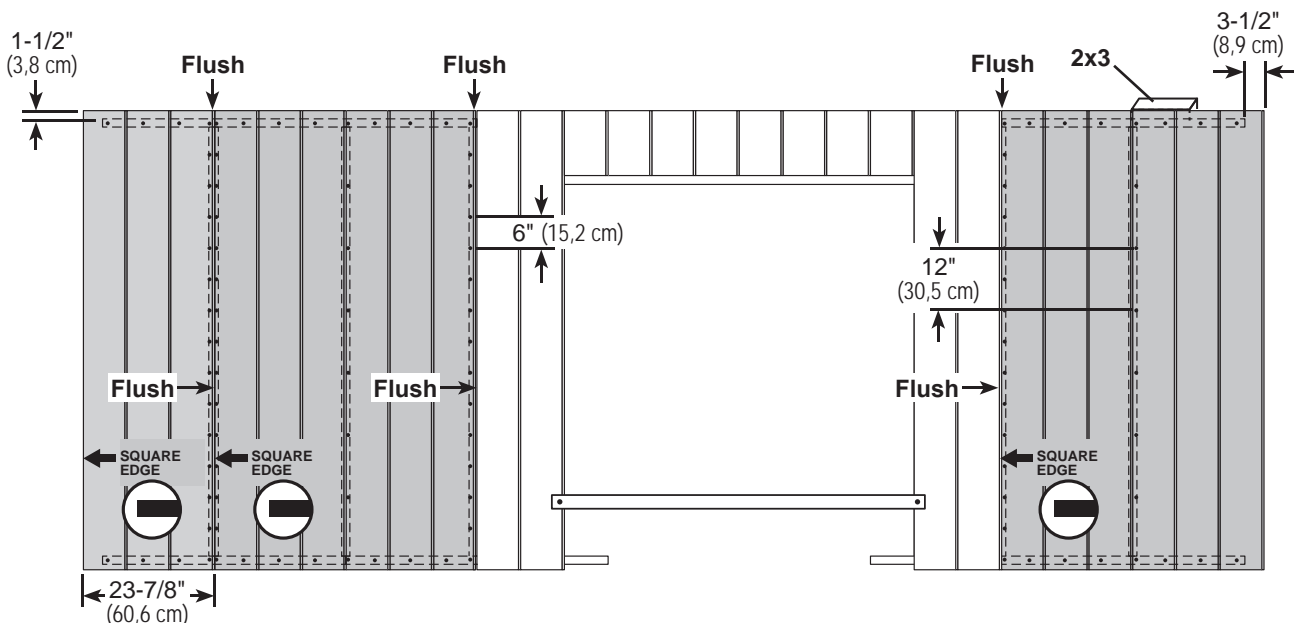
PARTS REQUIRED:



- 3 Install the left panel 1-1/2" from the top plate. Use a 2x3 spacer for consistent measurement. Secure panel with 2" nails spaced 6" apart on edges.
- 4 Install the right panel flush to installed panel, as shown. Ensure 64" (162,8 cm) door measurement. Use part OO as a temporary brace. Secure OO with with (2) 3" screws. Secure panel with 2" nails spaced 6" apart on edges.










- 5 Install 48" x 84" and 23-7/8" x 84" panels flush to installed panels and 1-1/2" from the top plate. Secure panels with 2" nails spaced 6" apart on edges and 12" inside panel. **Note the panel lip-edge/square edge orientation.**

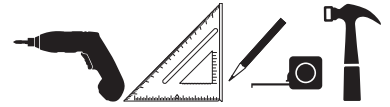
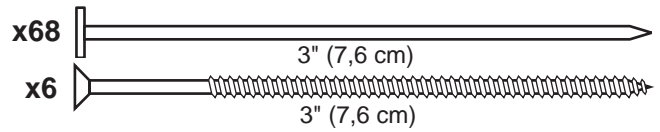


Your 18' WALL 11 is now assembled. Carefully flip the wall over.

18' WALL 12

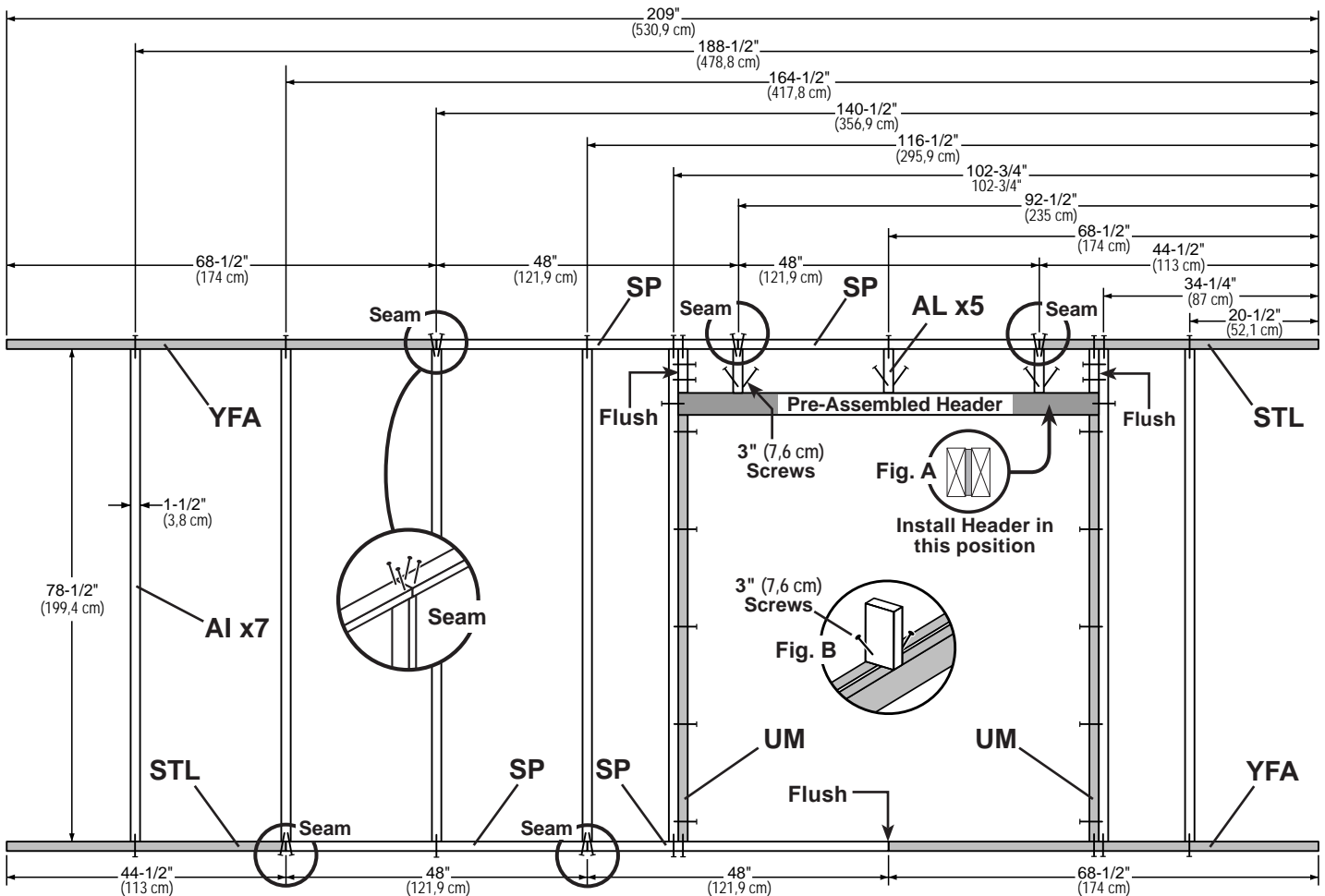
PARTS REQUIRED:

- x2 **STL**  2 x 4 x 44-1/2" (5,1 x 10,2 x 113 cm)
- x4 **SP**  2 x 4 x 48" (5,1 x 10,2 x 121,9 cm)
- x2 **UM**  2 x 4 x 68" (5,1 x 10,2 x 172,7 cm)
- x2 **YFA**  2 x 4 x 68-1/2" (5,1 x 10,2 x 174 cm)
- x7 **AI**  2 x 4 x 78-1/2" (5,1 x 10,2 x 199,4 cm)
- Pre Assembled Header** 
- x5 **AL**  2 x 4 x 7" (5,1 x 10,2 x 17,8 cm)



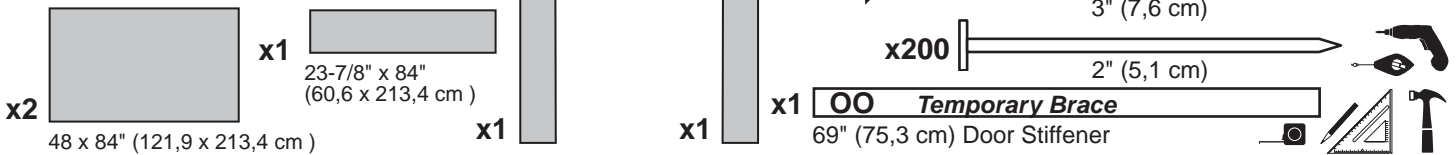
✓ BEGIN

- 1 Orient parts on edge on floor as shown. Measure and mark from end of boards.
Orient **Pre Assembled Header** as shown (**Fig. A**).
Secure with (2) 3" nails at each connection and (4) 3" nails at seams.
- 2 Fasten (3) middle parts **AL** to **Pre Assembled Header** with (2) 3" screws (**Fig. B**).
Fasten (2) end **AL** to studs **AI** with (4) 3" nails at each side.
Secure parts **AL** to top plates with (2) 3" nails at each connection and (4) 3" nails at seams.

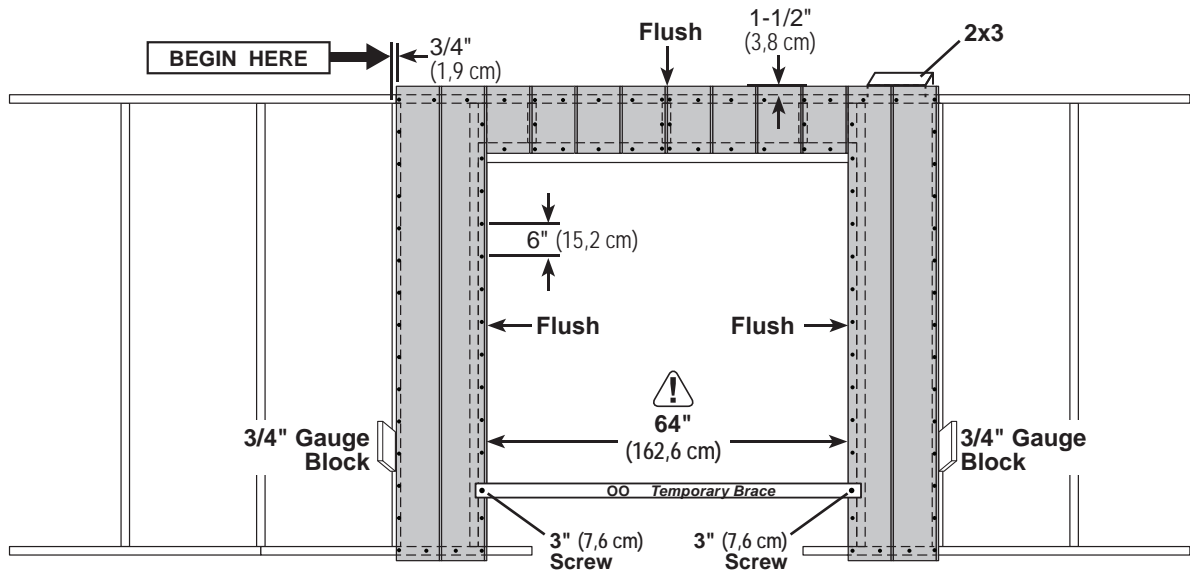


18' WALL 12

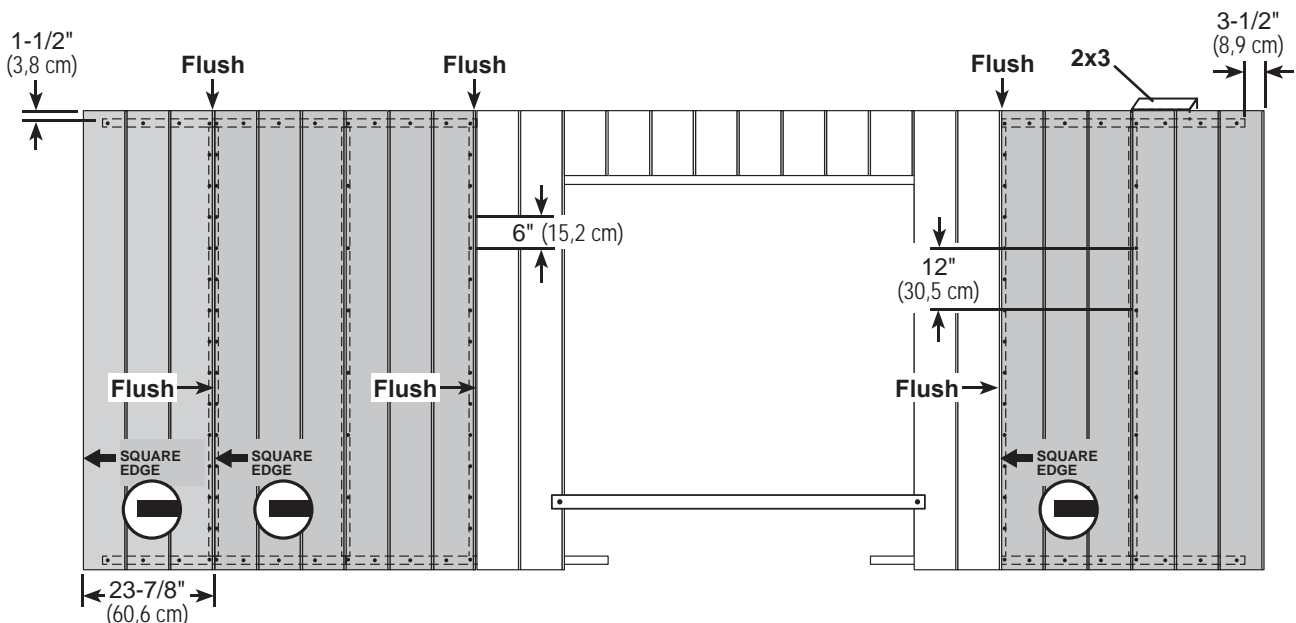
PARTS REQUIRED:



- 3 Install the left panel 1-1/2" from the top plate. Use a 2x3 spacer for consistent measurement. Secure panel with 2" nails spaced 6" apart on edges.
- 4 Install the right panel flush to installed panel, as shown. Ensure 64" (162,8 cm) door measurement. Use part OO as a temporary brace. Secure OO with with (2) 3" screws. Secure panel with 2" nails spaced 6" apart on edges.



- 5 Install 48" x 84" and 23-7/8" x 84" panels flush to installed panels and 1-1/2" from the top plate. Secure panels with 2" nails spaced 6" apart on edges and 12" inside panel. **Note the panel lip-edge/square edge orientation.**

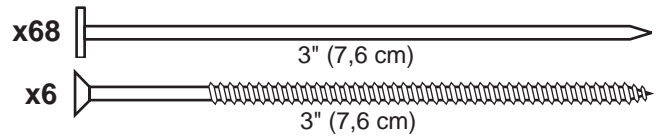


Your 18' WALL 12 is now assembled. Carefully flip the wall over.

18' WALL 13

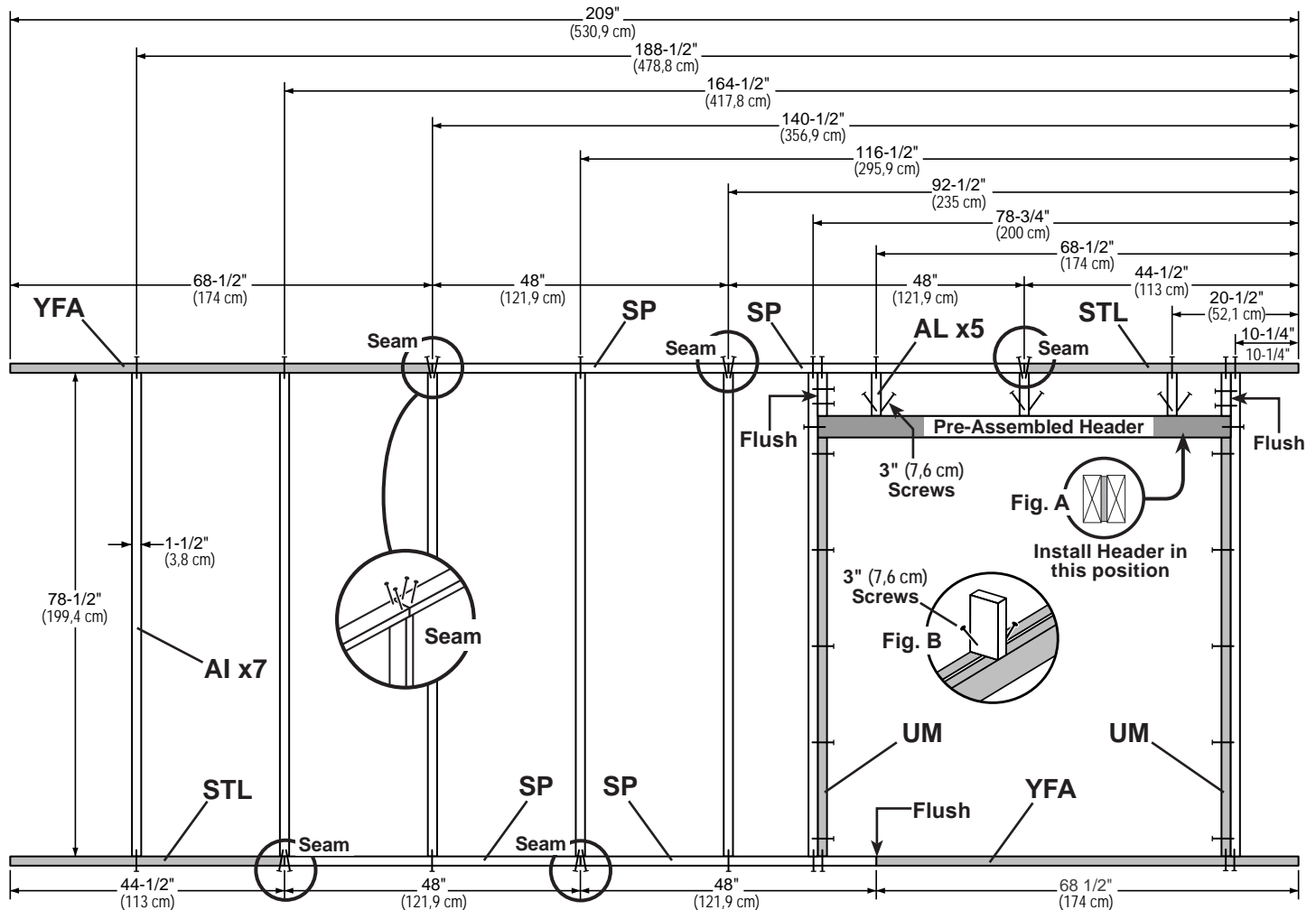
PARTS REQUIRED:

- x2 **STL** 2 x 4 x 44-1/2" (5,1 x 10,2 x 113 cm)
- x4 **SP** 2 x 4 x 48" (5,1 x 10,2 x 121,9 cm)
- x2 **UM** 2 x 4 x 68" (5,1 x 10,2 x 172,7 cm)
- x2 **YFA** 2 x 4 x 68-1/2" (5,1 x 10,2 x 174 cm)
- x7 **AI** 2 x 4 x 78-1/2" (5,1 x 10,2 x 199,4 cm)
- Pre Assembled Header**
- x1 x5 **AL** 2 x 4 x 7" (5,1 x 10,2 x 17,8 cm)



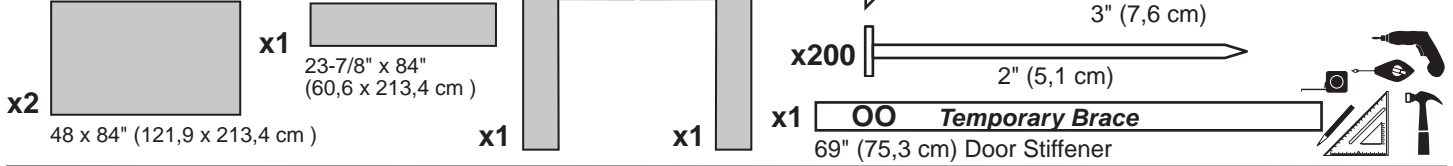
✓ BEGIN

- 1 Orient parts on edge on floor as shown. Measure and mark from end of boards.
Orient **Pre Assembled Header** on flat side (**Fig. A**).
Secure with (2) 3" nails at each connection and (4) 3" nails at seams.
- 2 Fasten (3) middle parts **AL** to **Pre Assembled Header** with (2) 3" screws (**Fig. B**).
Fasten (2) end **AL** to studs **AI** with (4) 3" nails at each side.
Secure parts **AL** to top plates with (2) 3" nails at each connection and (4) 3" nails at seams.

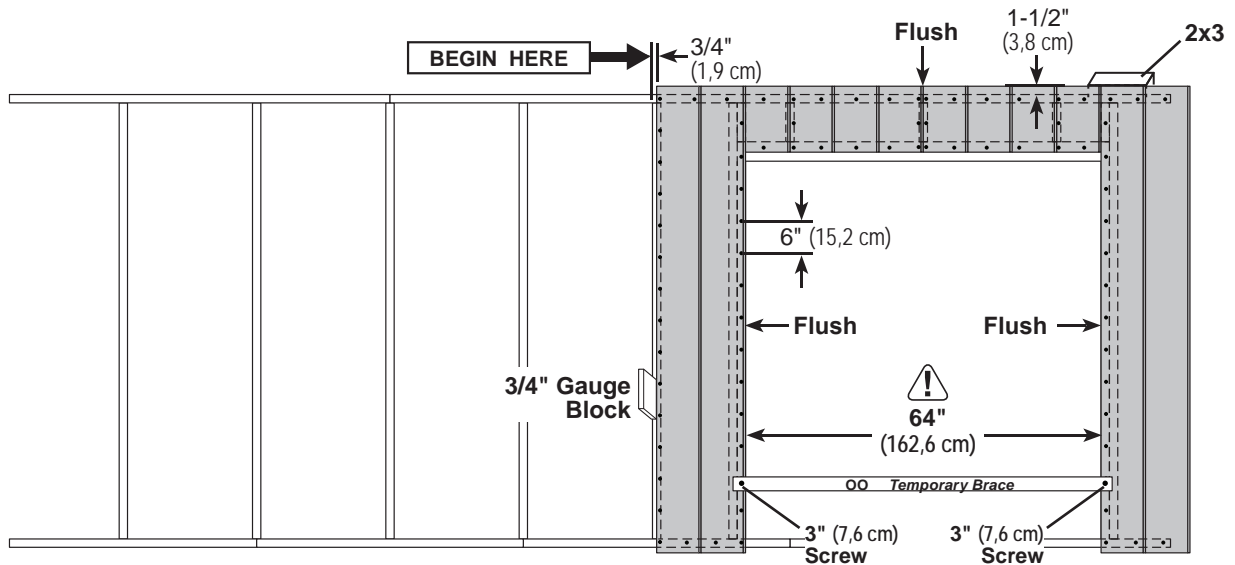


18' WALL 13

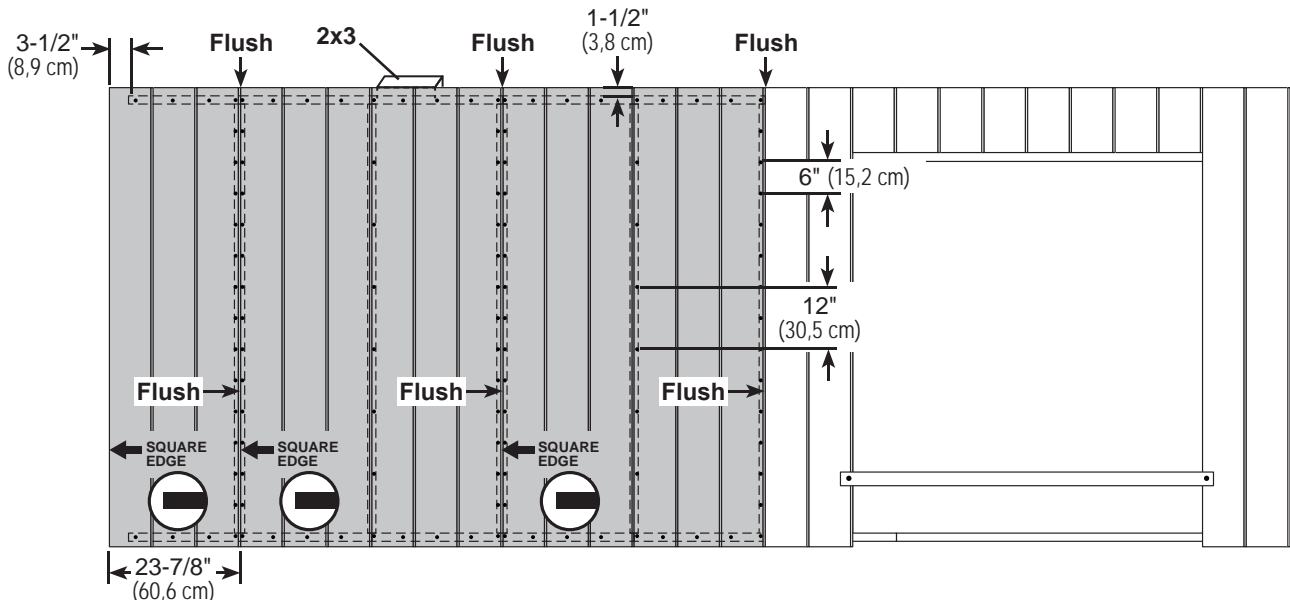
PARTS REQUIRED:



- 3 Install the left panel 1-1/2" from the top plate. Use a 2x3 spacer for consistent measurement. Secure panel with 2" nails spaced 6" apart on edges.
- 4 Install the right panel flush to installed panel, as shown. Ensure 64" (162,8 cm) door measurement. Use part OO as a temporary brace. Secure OO with with (2) 3" screws. Secure panel with 2" nails spaced 6" apart on edges.



- 5 Install 48" x 84" and 23-7/8" x 84" panels flush to installed panels and 1-1/2" from the top plate. Secure panels with 2" nails spaced 6" apart on edges and 12" inside panel. **Note the panel lip-edge/square edge orientation.**

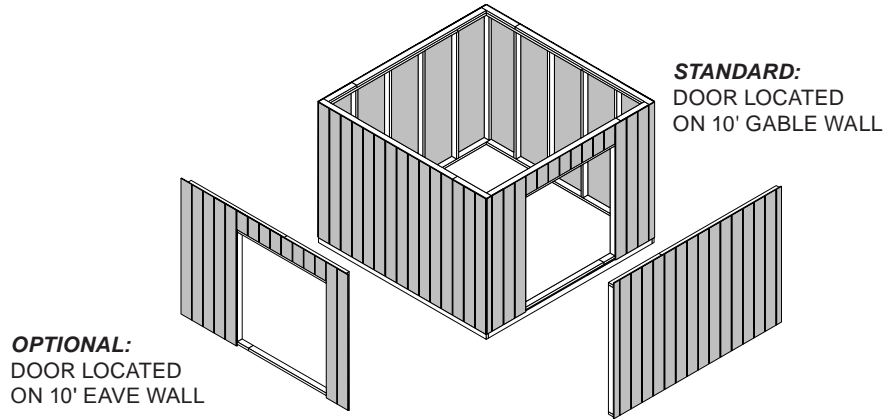


Your 18' WALL 13 is now assembled. Carefully flip the wall over.

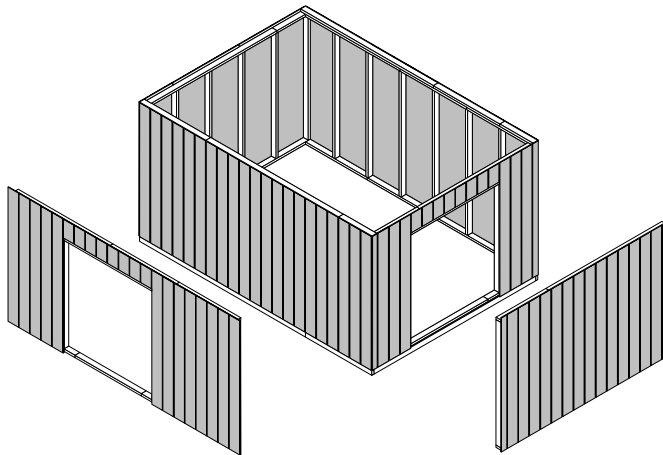
STANDING YOUR WALLS

The following steps show how to stand and secure your walls for a 10' x 10' shed.

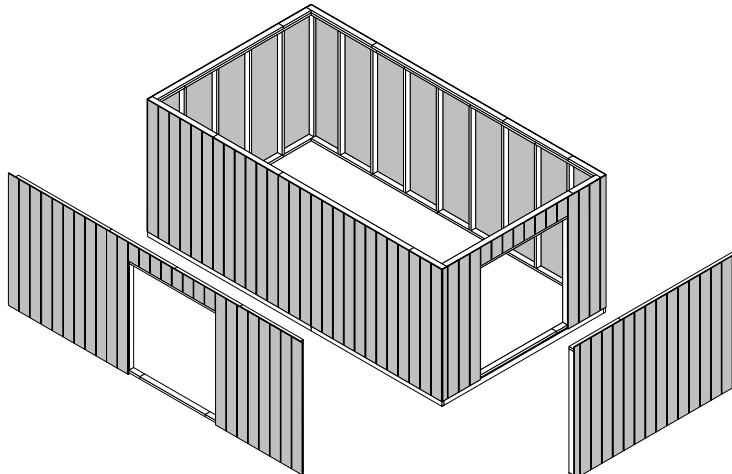
These instructions are by default with the door on the 10' gable wall.



For a 10' x 14' shed, start on page 50.



For a 10' x 18' shed, start on page 56.



10' GABLE WALL INSTALLATION

PARTS REQUIRED:

x1 **OO**
69" (175,3 cm) Door Stiffener

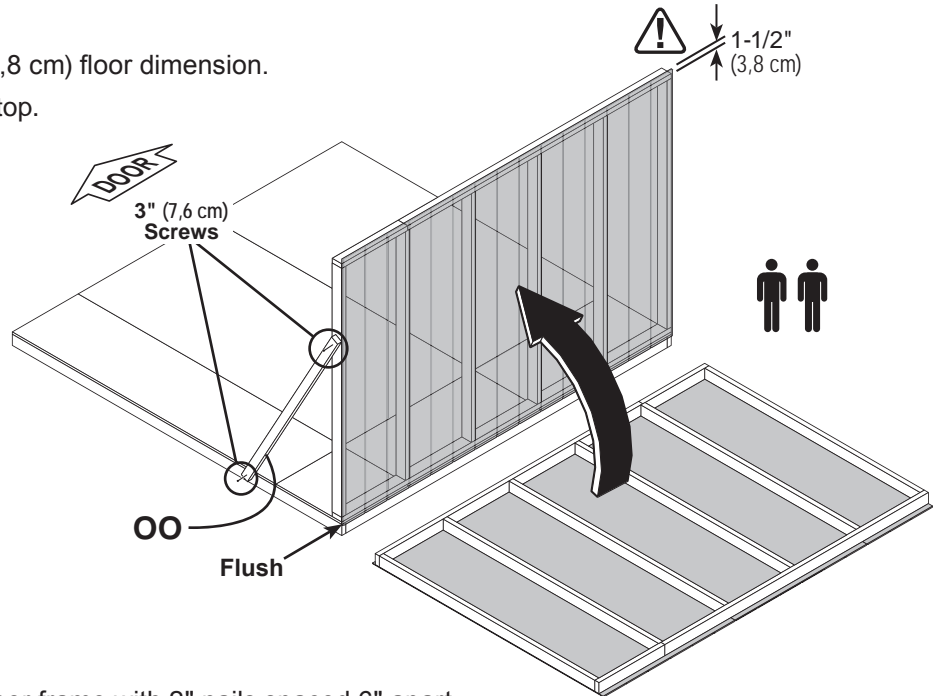


x10 3" (7,6 cm)
x2 3" (7,6 cm)
x23 2" (5,1 cm)

✓ BEGIN

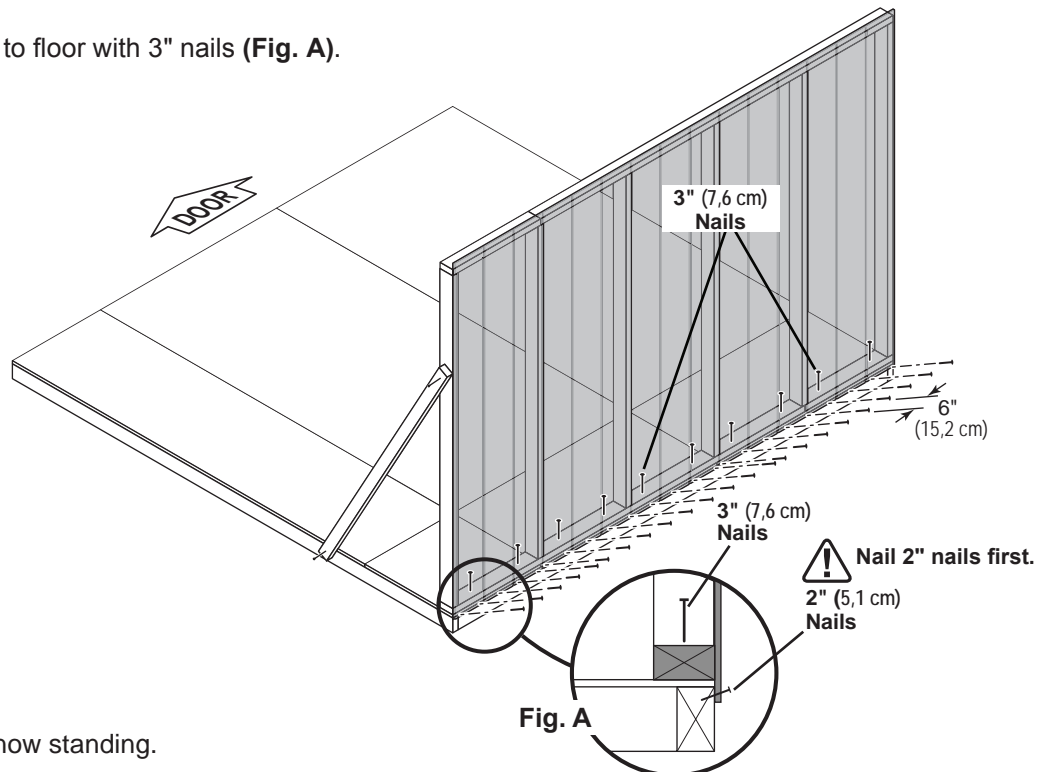
- Center 10' wall on the 120" (304,8 cm) floor dimension.
1-1/2" (3,8 cm) overlap is to the top.

Use **OO** as a temporary brace.
Secure with (2) 3" screws.



- Secure lower edge of panel to floor frame with 2" nails spaced 6" apart.
Angle nails into floor frame (**Fig. A**).

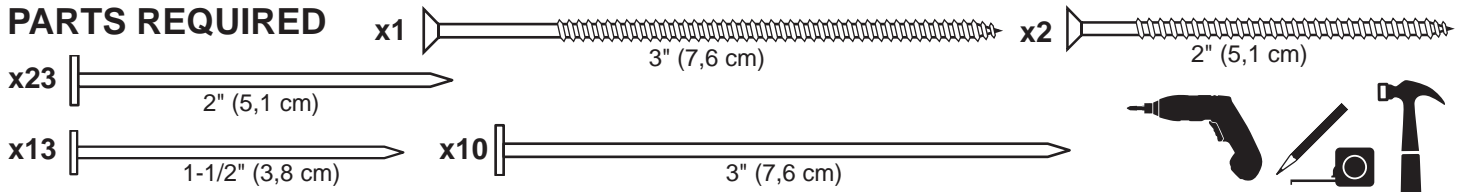
Secure wall bottom plates to floor with 3" nails (**Fig. A**).



Your 1st 10' gable wall is now standing.

10' EAVE WALL INSTALLATION

PARTS REQUIRED



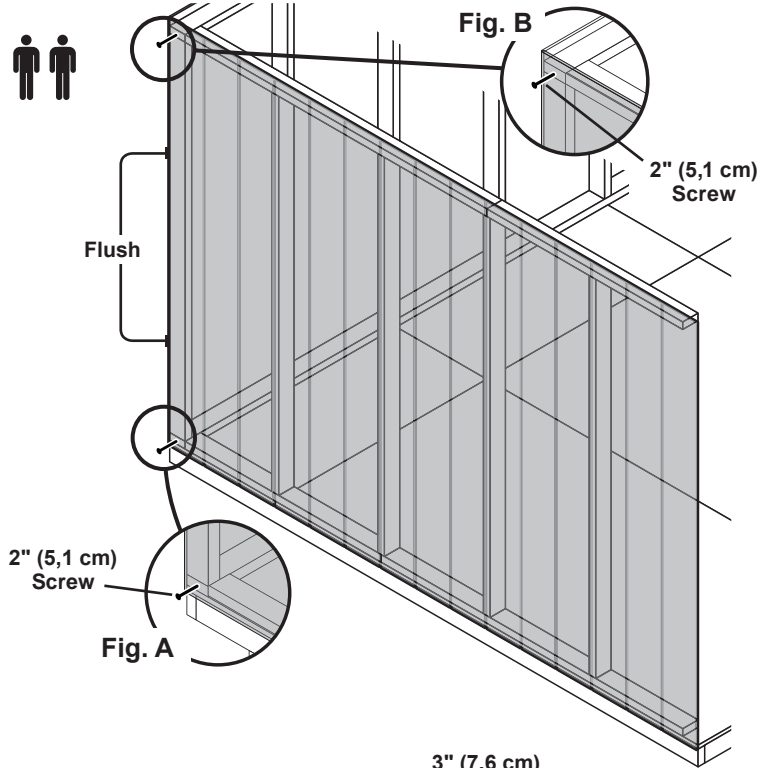
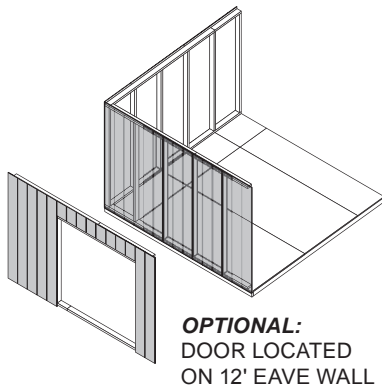
✓ BEGIN

- 1 Place 10' eave wall centered on floor.
1-1/2" (3,8 cm) overlap is to the top.

Secure wall with (1) 2" screw into 10' wall bottom plate (**Fig. A**) and top plate (**Fig. B**).

Secure wall to bottom plate first.

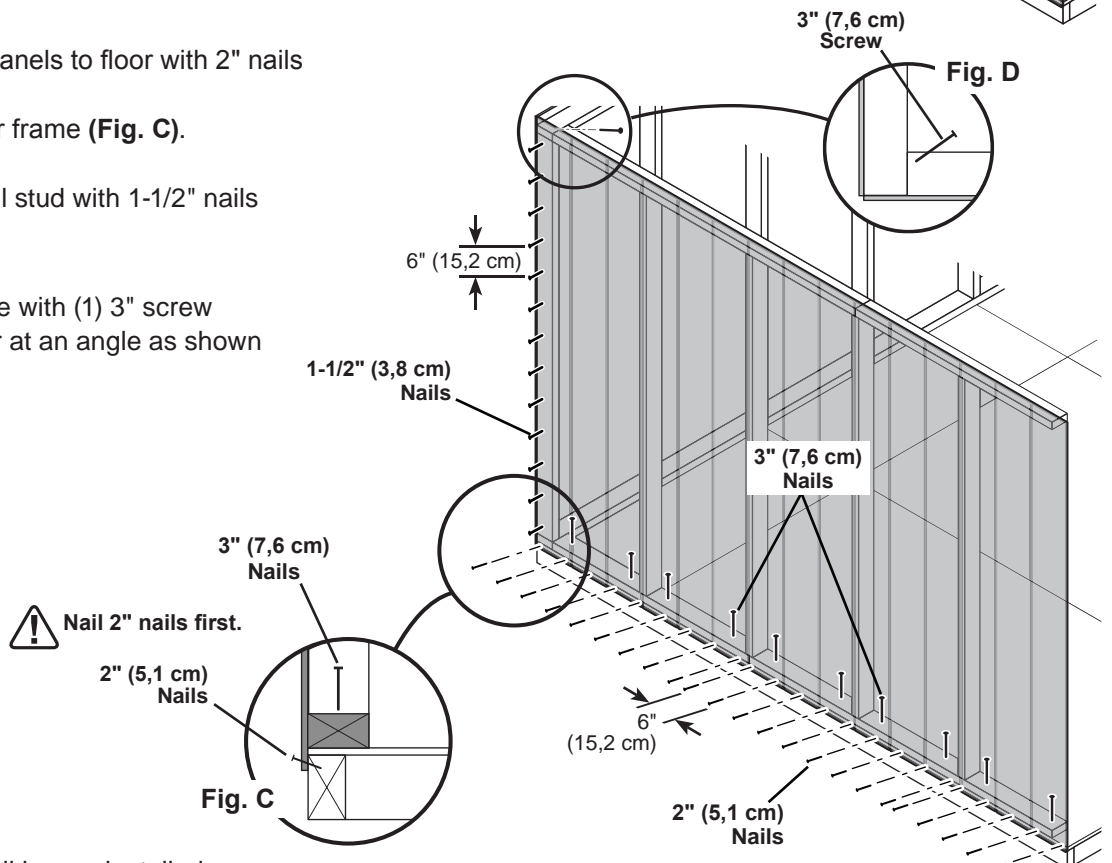
⚠ **ENSURE PANEL CORNERS ARE FLUSH.**



- 2 Nail lower edge of panels to floor with 2" nails spaced 6" apart.
Angle nails into floor frame (**Fig. C**).

Nail panel to 10' wall stud with 1-1/2" nails spaced 6" apart.

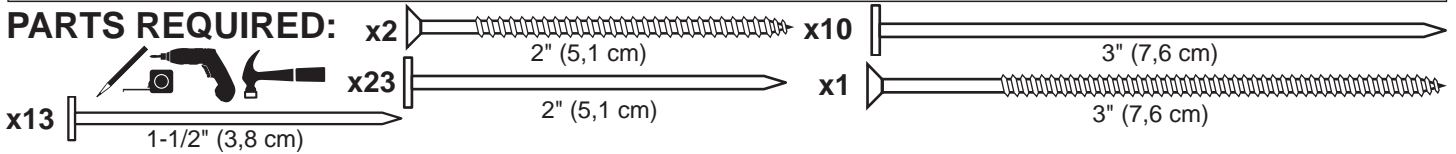
- 3 Secure wall top plate with (1) 3" screw angled at the corner at an angle as shown (**Fig. D**).



Your 1st 10' eave wall is now installed.

10' EAVE WALL INSTALLATION

PARTS REQUIRED:



✓ BEGIN

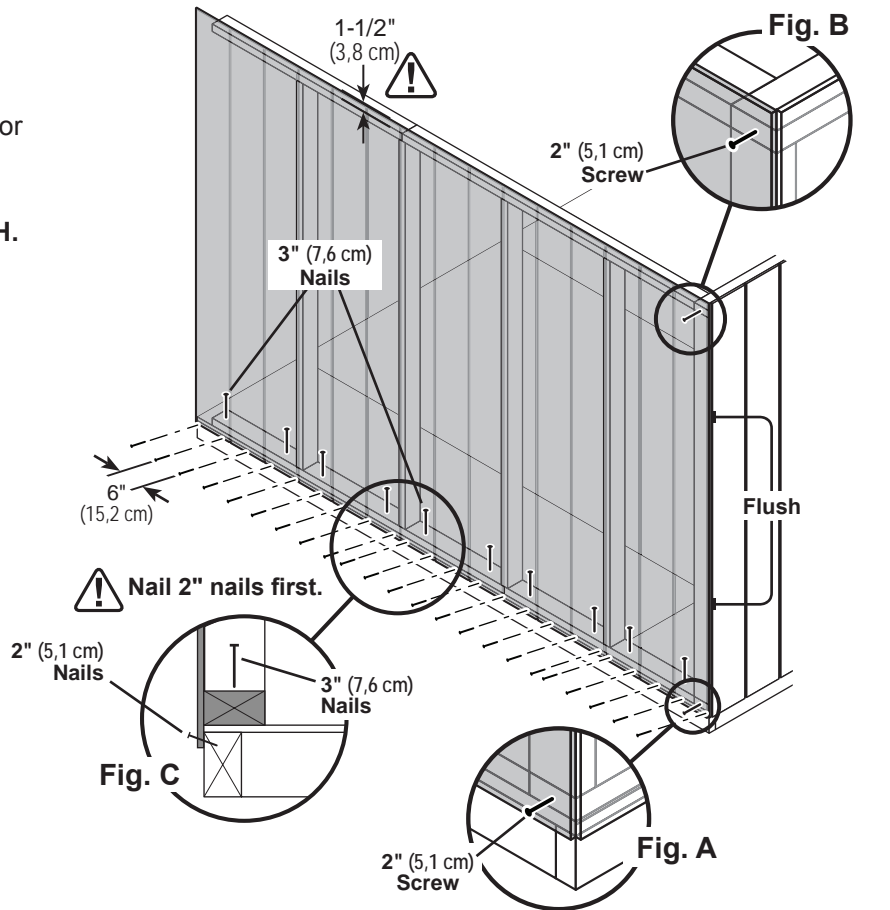
- Remove temporary brace **OO** from installed 10' gable wall.
Place 2nd 10' eave wall centered on floor
1-1/2" (3,8 cm) overlap is to the top.

⚠ ENSURE PANEL CORNERS ARE FLUSH.

- Secure wall with (1) 2" screw through gable wall panel into 10' wall bottom and top plates (**Fig. B, Fig. A**).
Secure wall to bottom plate first.

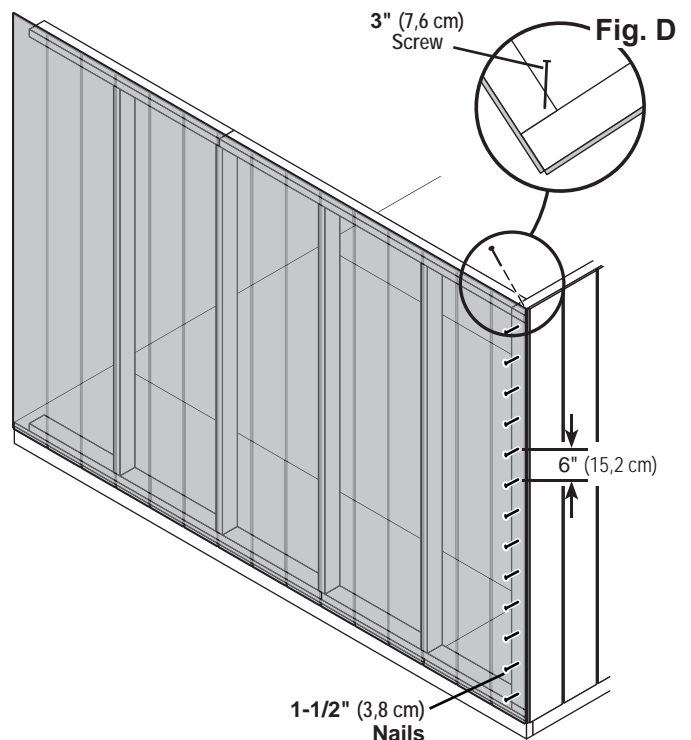
- Nail lower edge of wall panels to floor frame with 2" nails spaced 6" apart.
Angle nails into floor frame (**Fig. C**).

Secure wall bottom plates to floor with 3" nails (**Fig. C**).



- Nail 10' eave wall panel to 10' gable wall stud with 1-1/2" nails spaced 6" apart.

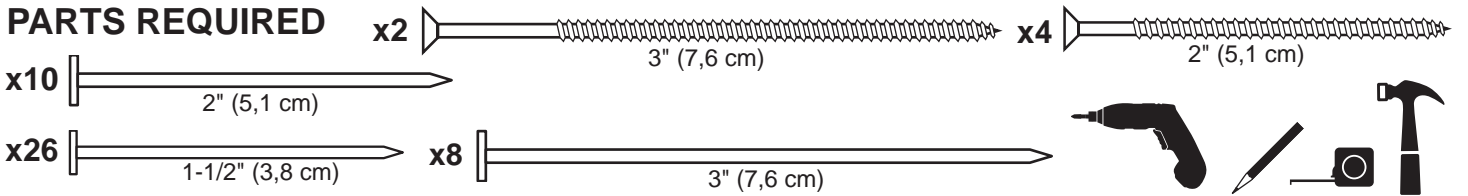
- Secure wall top plate with (1) 3" screw at the corner at an angle as shown (**Fig. D**).



Your 2nd 10' eave wall is now installed.

10' GABLE WALL INSTALLATION

PARTS REQUIRED



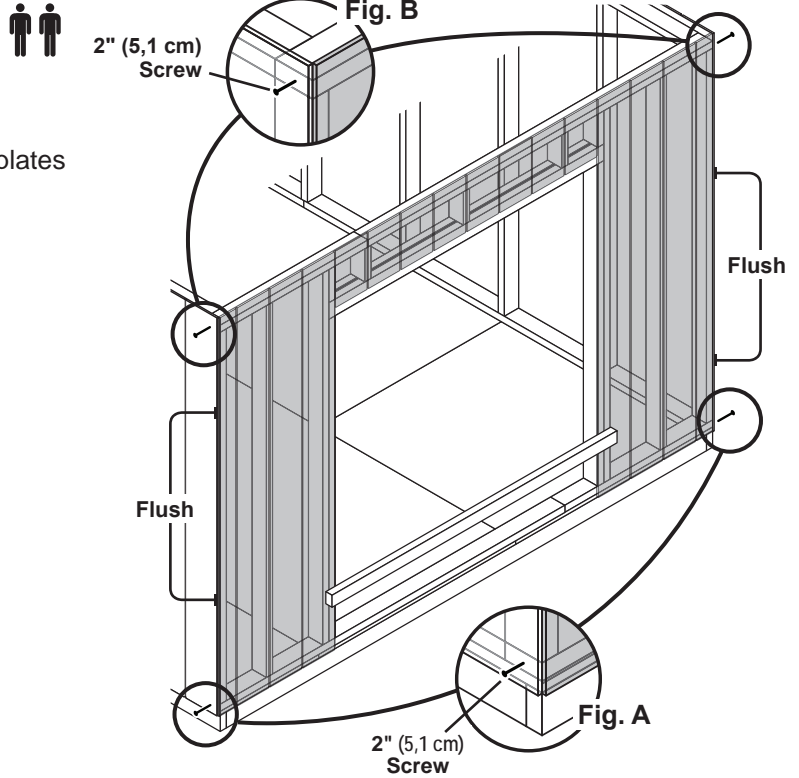
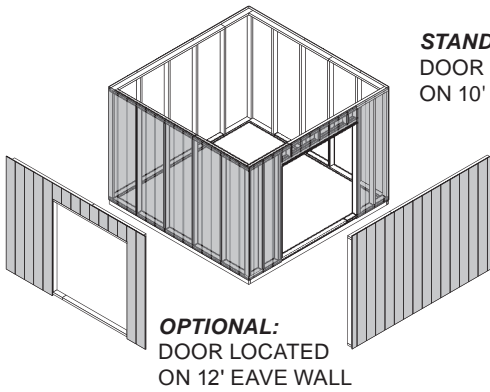
BEGIN

1 Place 10' gable wall on floor centered between installed walls.

Secure wall with 2" screws into top and bottom plates (Fig. A, Fig. B).

Secure wall to bottom plate first.

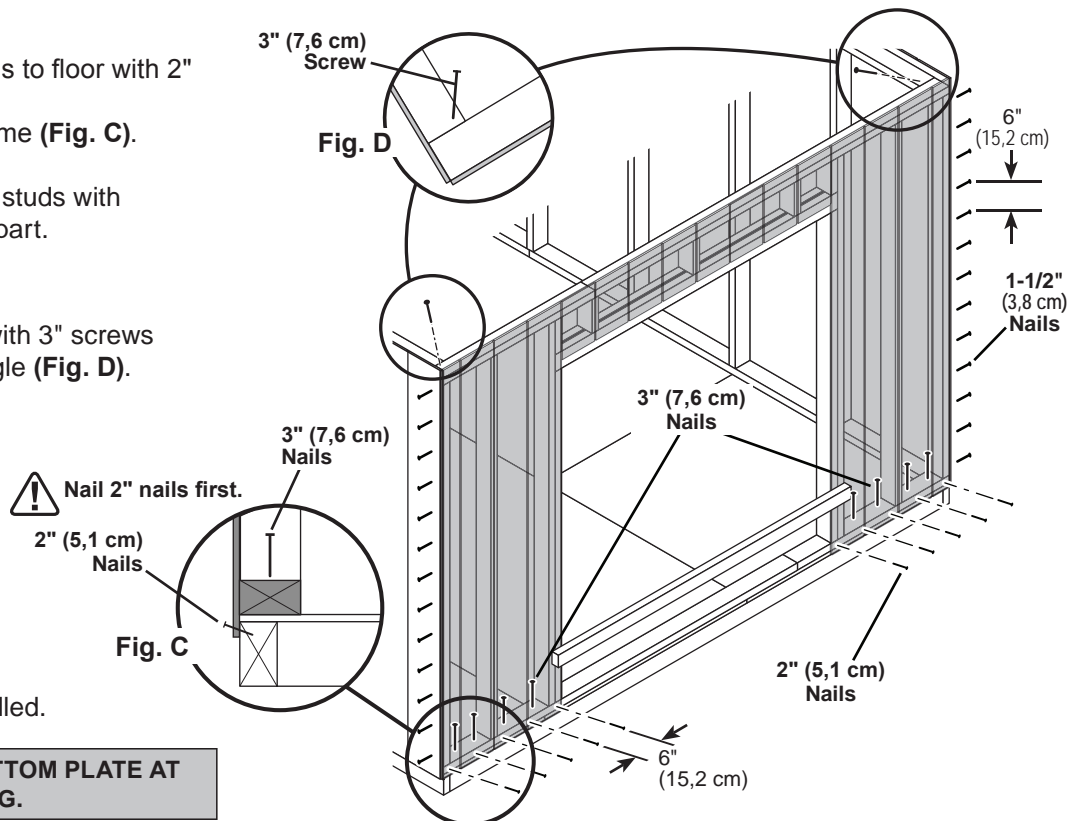
⚠ ENSURE PANEL CORNERS ARE FLUSH. ⚠



2 Nail lower edge of panels to floor with 2" nails spaced 6" apart. Angle nails into floor frame (Fig. C).

Nail panels to eave wall studs with 1-1/2" nails spaced 6" apart.

3 Secure wall top plates with 3" screws at each corner at an angle (Fig. D).



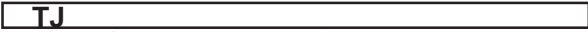



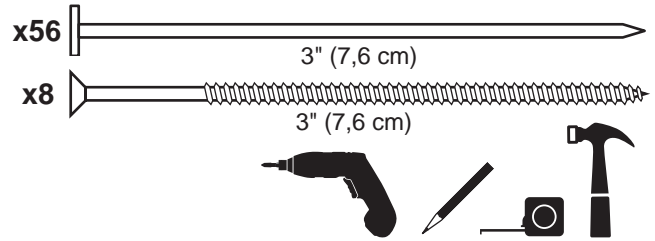
Your walls are now installed.

CUT OUT AND REMOVE BOTTOM PLATE AT DOOR OPENING.

10' x 10' WALL DOUBLERS INSTALLATION

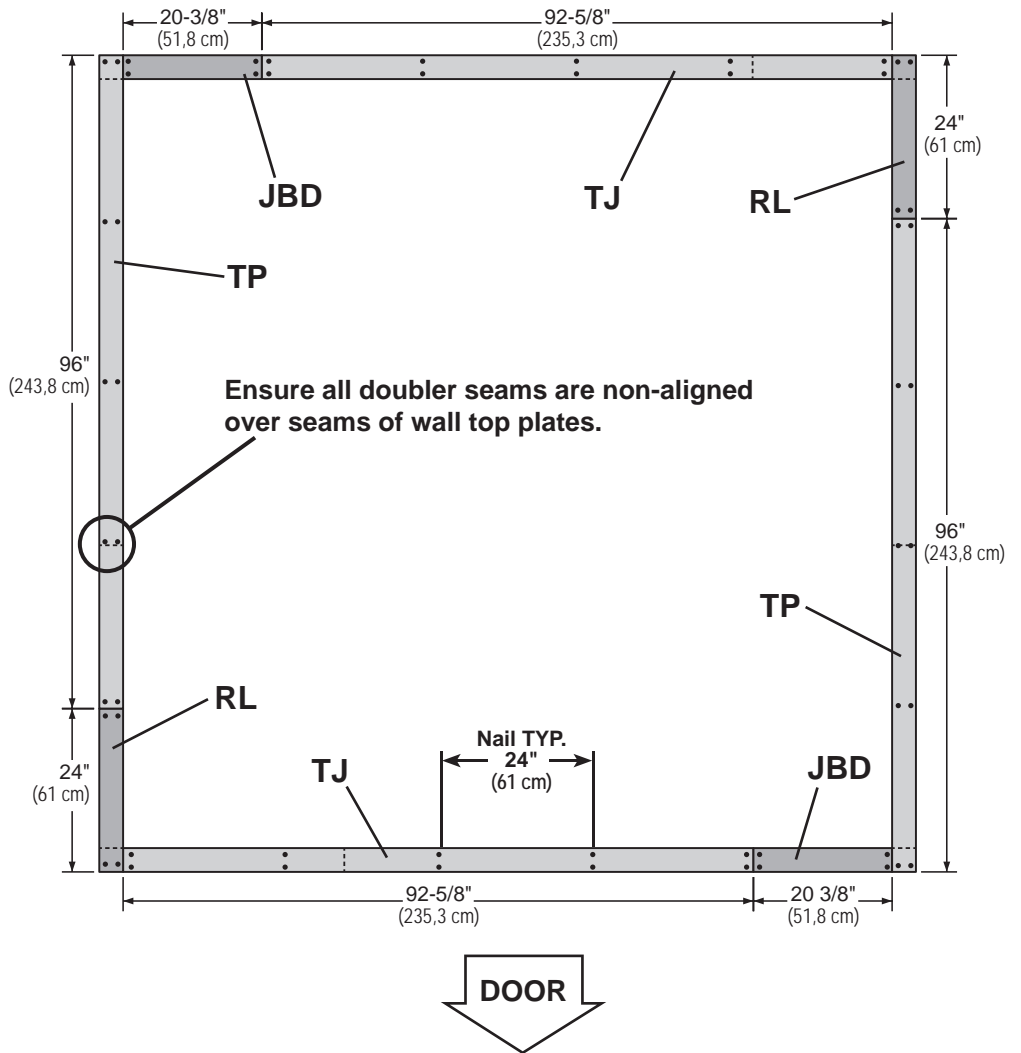
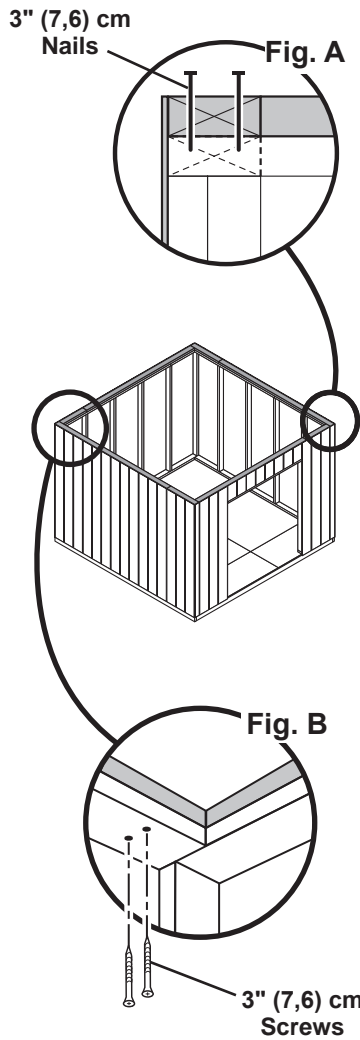
PARTS REQUIRED:

- x2 **RL**  2 x 4 x 24" (5,1 x 10,2 x 61 cm)
- x2 **JBD**  2 x 4 x 20-3/8" (5,1 x 10,2 x 51,8 cm)
- x2 **TJ**  2 x 4 x 92-5/8" (5,1 x 10,2 x 235 cm)
- x2 **TP**  2 x 4 x 96" (5,1 x 10,2 x 243,8 cm)



✓ BEGIN

- 1 Orient parts on top of wall frames. Measure and mark from end of boards.
- 2 Secure from top with (2) 3" nails spaced every 24" (Fig. A).
- 3 Secure from bottom with (4) 3" screws at each corner (Fig. B).



Your wall doublers are now installed.

CONTINUE TO PAGE 61 TO CONTINUE BUILDING YOUR SHED.

14' GABLE WALL INSTALLATION

PARTS REQUIRED:

x1 **OO**
69" (175,3 cm) Door Stiffener



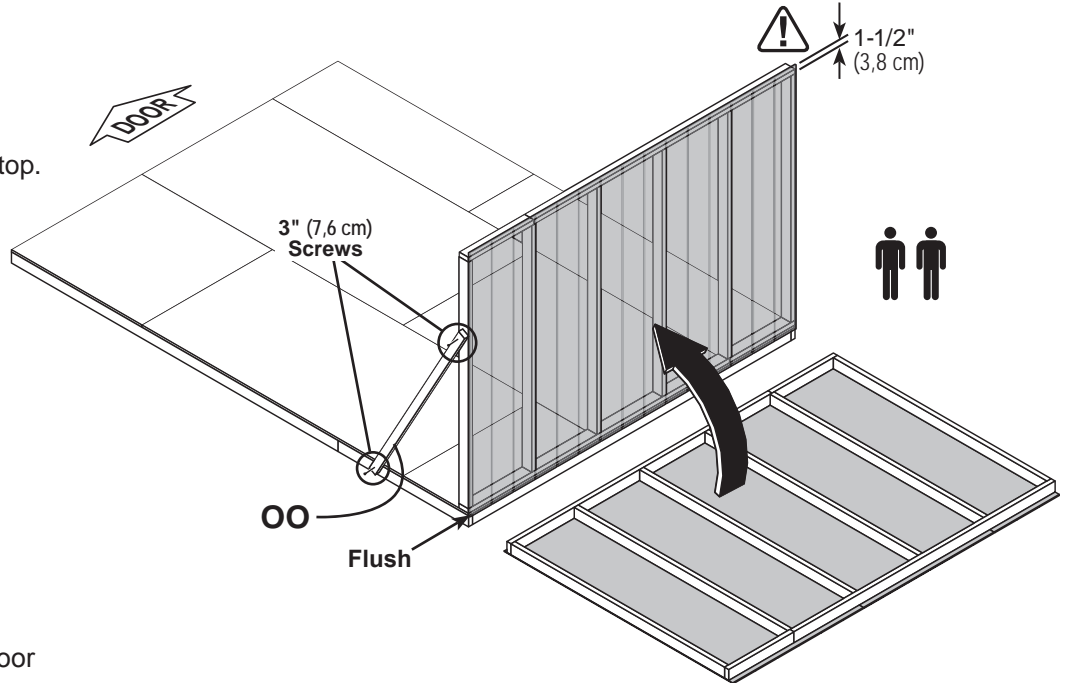
x10 3" (7,6 cm)
x2 3" (7,6 cm)
x23 2" (5,1 cm)

✓ BEGIN

1

Center 10' wall on the 120" (304,8 cm) floor dimension.
1-1/2" (3,8 cm) overlap is to the top.

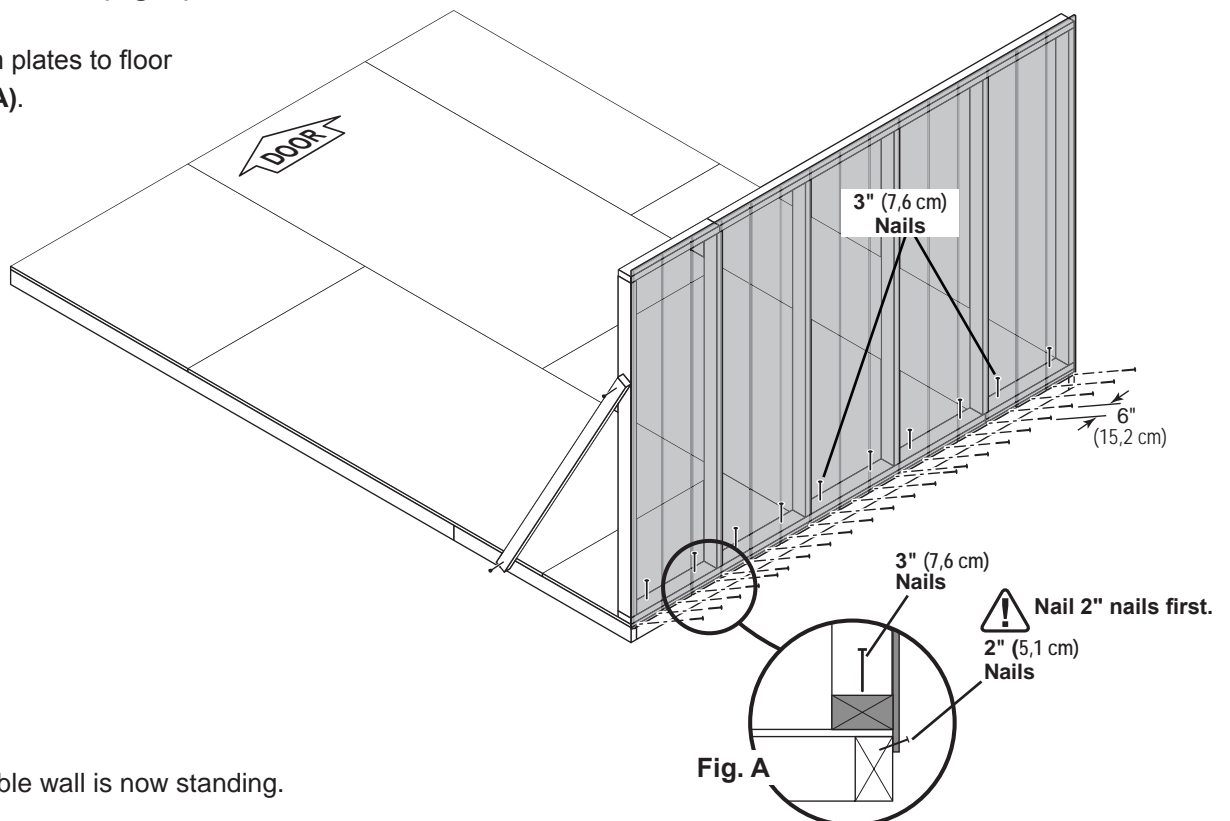
Use **OO** as a temporary brace.
Secure with (2) 3" screws.



2

Secure lower edge of panel to floor frame with 2" nails spaced 6" apart.
Angle nails into floor frame (**Fig. A**).

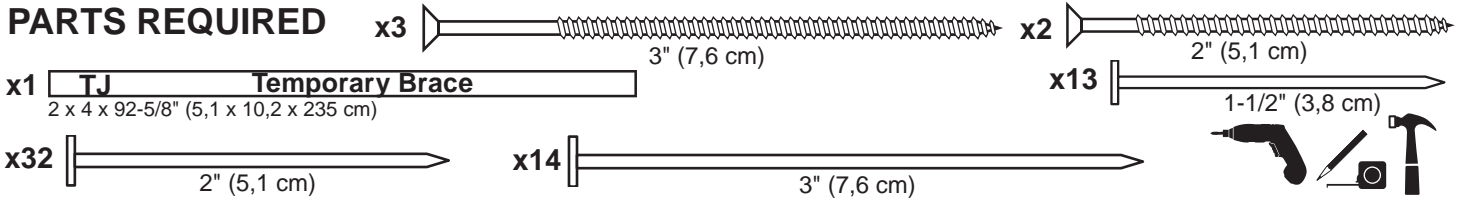
Secure wall bottom plates to floor with 3" nails (**Fig. A**).



Your 10' gable wall is now standing.

14' EAVE WALL INSTALLATION

PARTS REQUIRED



✓ BEGIN 1

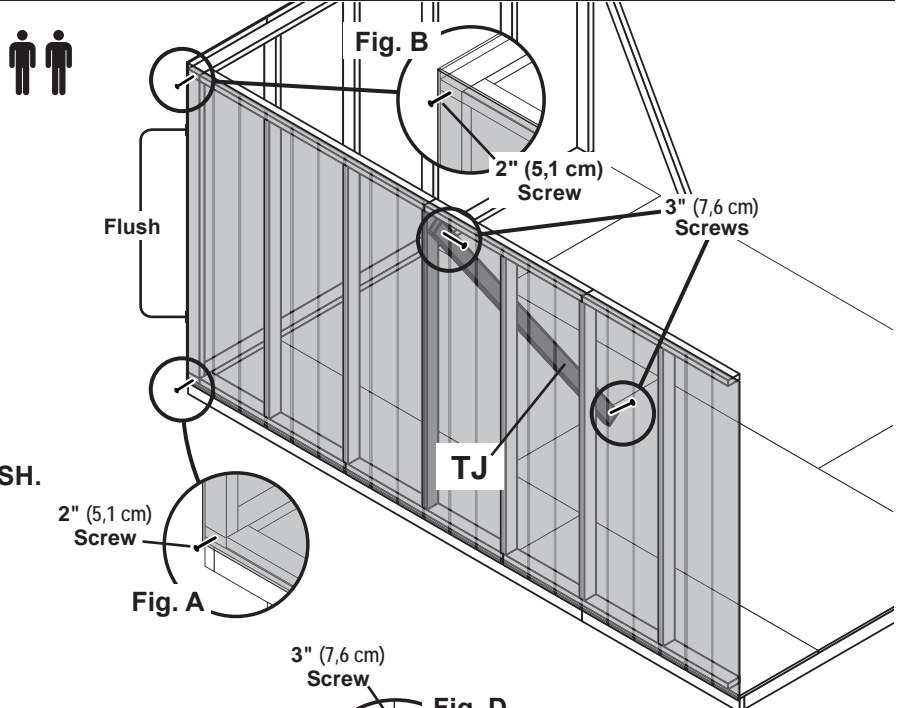
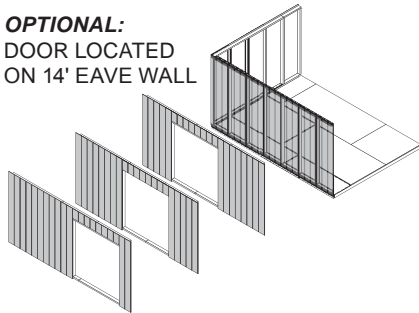
Place 1st 14' eave wall centered on floor. The 1-1/2" (3,8 cm) overlap is to the top. Use **TJ** as a temporary brace as shown. Secure **TJ** with (2) 3" screws.

Secure wall with (1) 2" screw into 10' wall bottom plate (**Fig. A**) and top plate (**Fig. B**).

Secure wall to bottom plate first.

⚠ ENSURE PANEL CORNERS ARE FLUSH.

OPTIONAL:
DOOR LOCATED
ON 14' EAVE WALL



2

Nail lower edge of panels to floor with 2" nails spaced 6" apart. Angle nails into floor frame (**Fig. C**).

Nail panel to 10' wall stud with 1-1/2" nails spaced 6" apart.

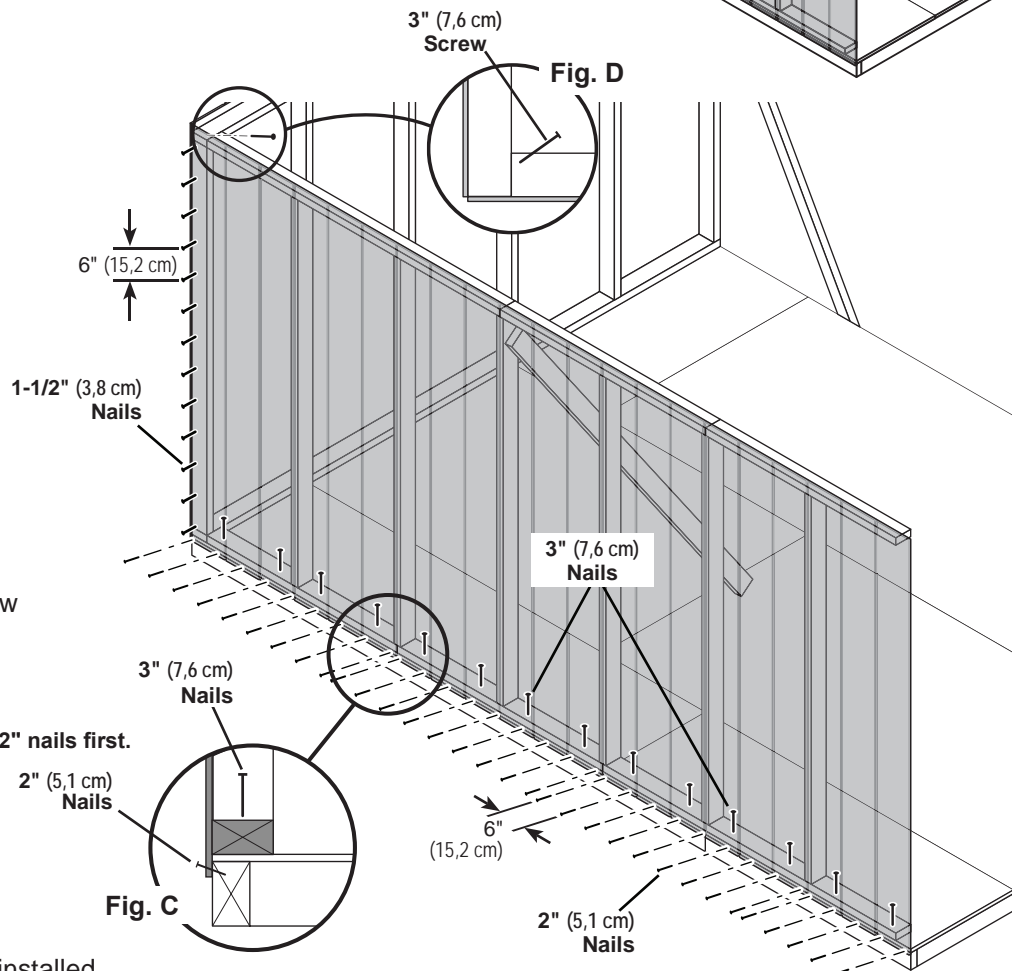
3

Secure wall top plate with (1) 3" screw at the corner at an angle as shown (**Fig. D**).

⚠ Nail 2" nails first.




2" (5,1 cm) Nails


Fig. C



Your 1st 14' eave wall is now installed.

14' EAVE WALL INSTALLATION

PARTS REQUIRED: x2  3" (7,6 cm) x2  2" (5,1 cm) 

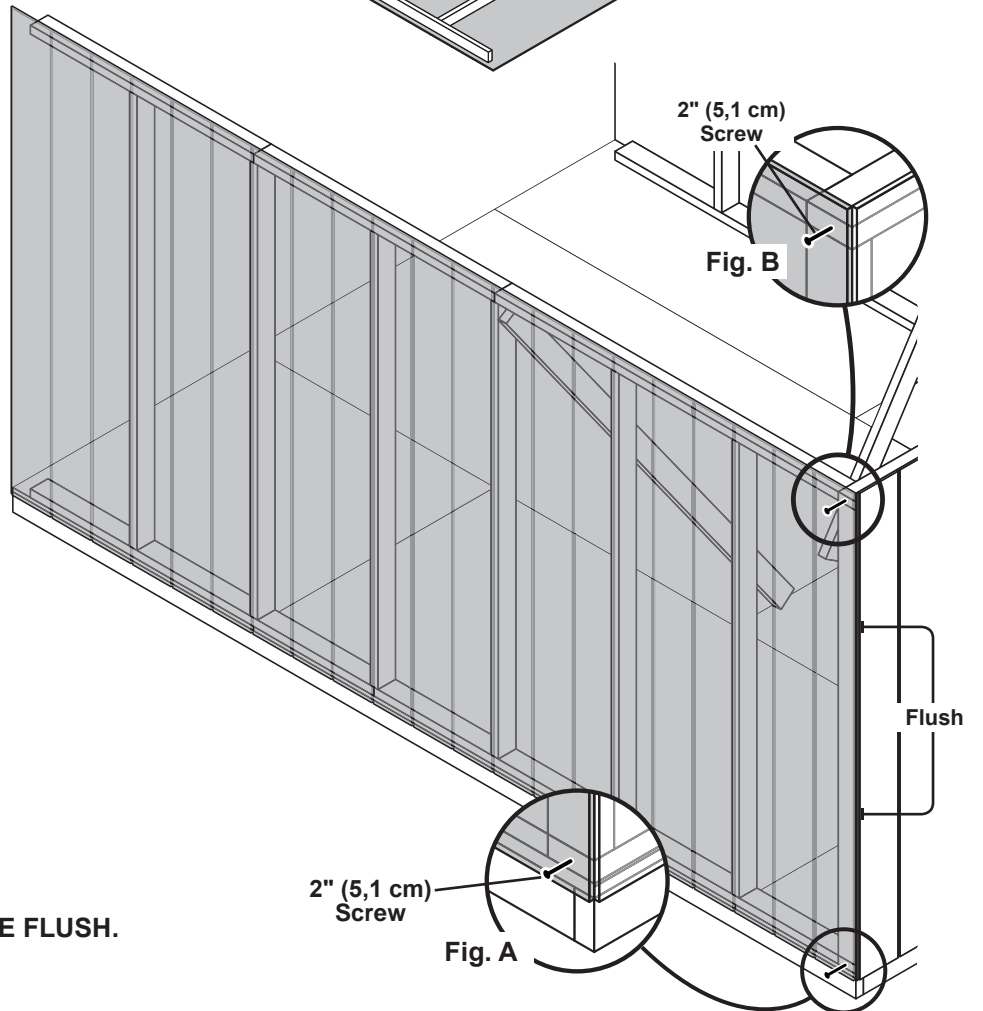
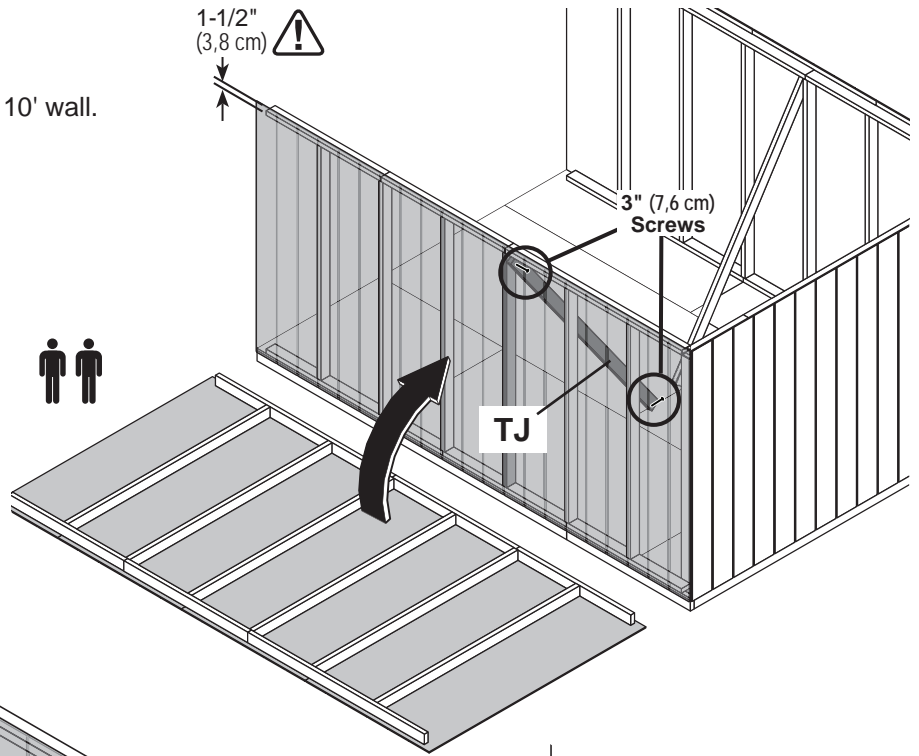
x1  **TJ Temporary Brace**
2 x 4 x 92-5/8" (5,1 x 10,2 x 235 cm)

✓ **BEGIN**
1

Remove temporary brace **OO** from installed 10' wall.

Place 2nd 14' wall centered on floor.
1-1/2" (3,8 cm) overlap is to the top.

Use **TJ** as a temporary brace as shown.
Secure **TJ** with (2) 3" screws.



2

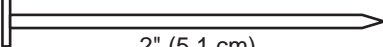
Secure wall with (1) 2" screw through gable wall panel into 10' wall bottom and top plates (**Fig. A**, **Fig. B**).

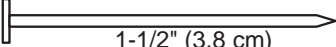
Secure wall to bottom plate first.

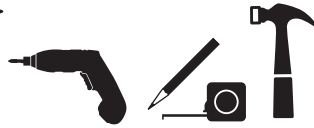
 **ENSURE PANEL CORNERS ARE FLUSH.**

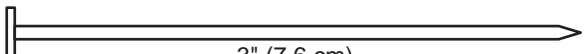
14' EAVE WALL INSTALLATION


PARTS REQUIRED:

x32  2" (5,1 cm)

x13  1-1/2" (3,8 cm)



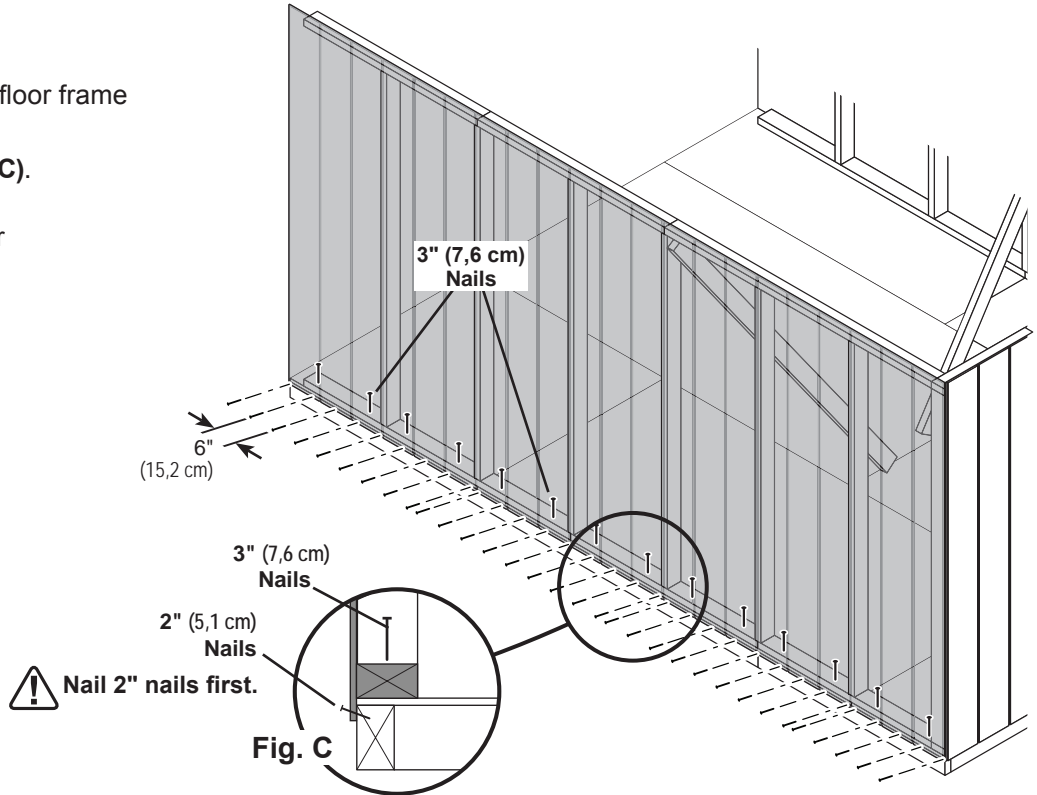
x14  3" (7,6 cm)

x1  3" (7,6 cm)

3

Nail lower edge of wall panels to floor frame with 2" nails spaced 6" apart. Angle nails into floor frame (**Fig. C**).

Secure wall bottom plates to floor with 3" nails (**Fig. C**).

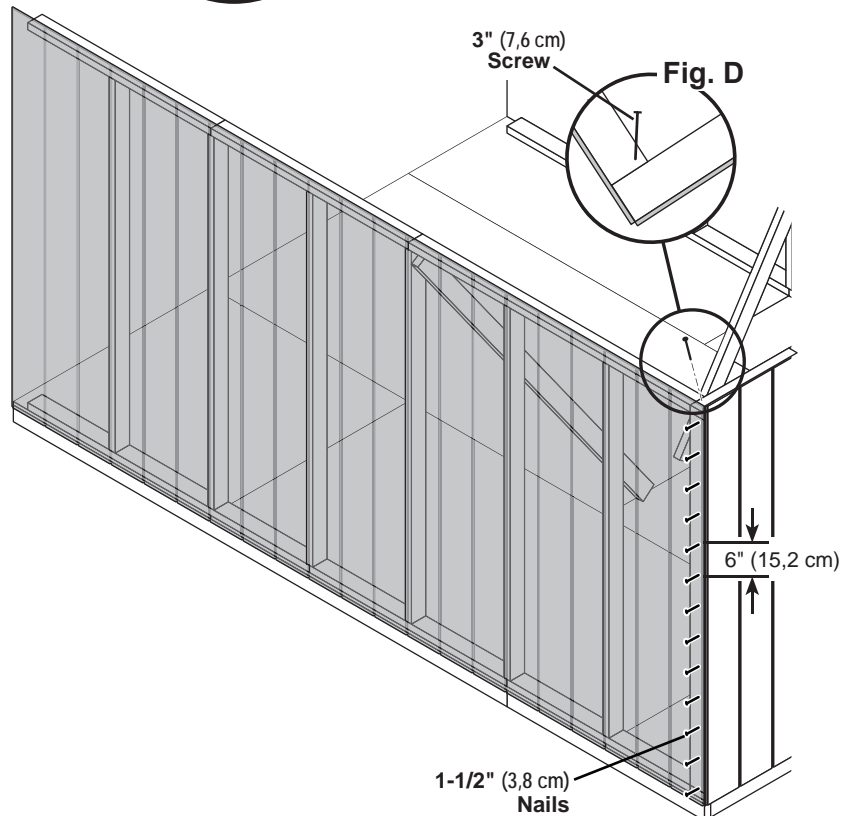


4

Nail 12' wall panel to 10' wall stud with 1-1/2" nails spaced 6" apart.

5

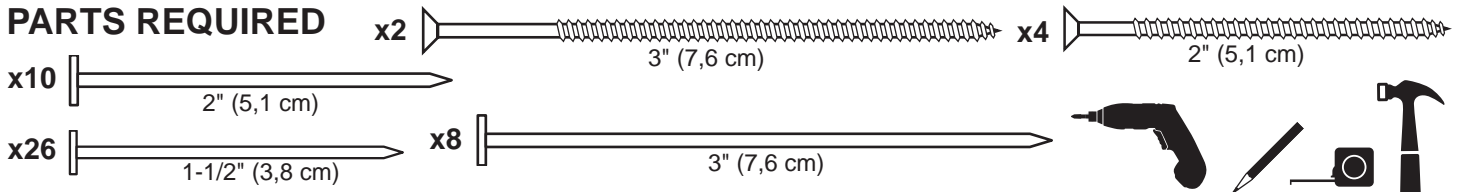
Secure gable wall top plate with (1) 3" screw at the corner at an angle as shown (**Fig. D**).



Your 2nd 14' wall is now installed.

10' GABLE WALL INSTALLATION

PARTS REQUIRED



✓ BEGIN

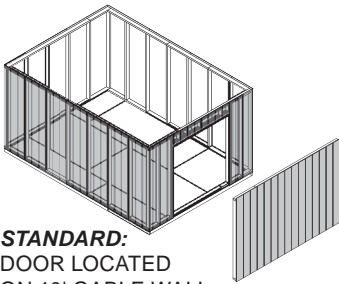
1 Place 10' gable wall on floor centered between installed walls.



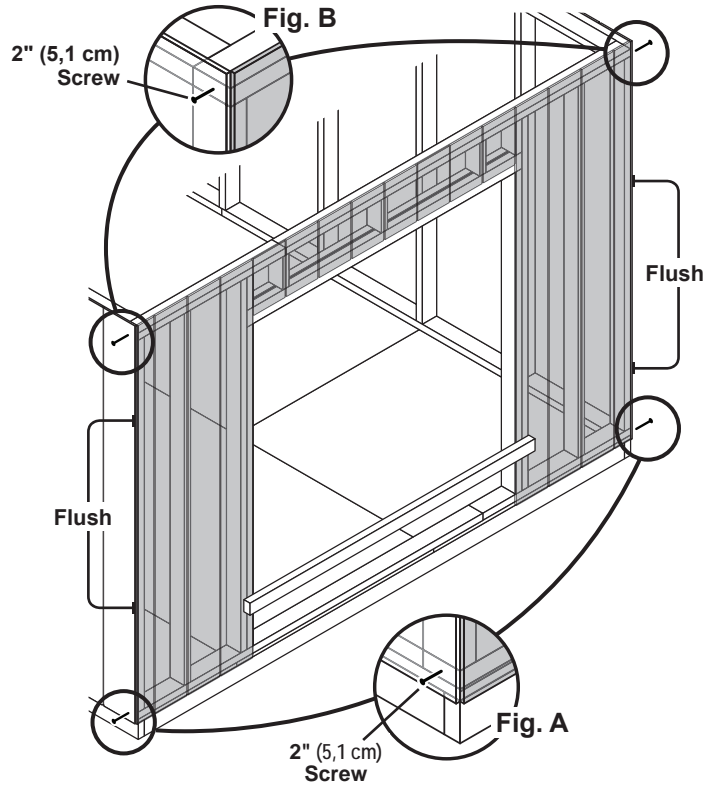
Secure wall with 2" screws into top and bottom plates (Fig. A, Fig. B).

Secure wall to bottom plate first.

⚠ ENSURE PANEL CORNERS ARE FLUSH. ⚠



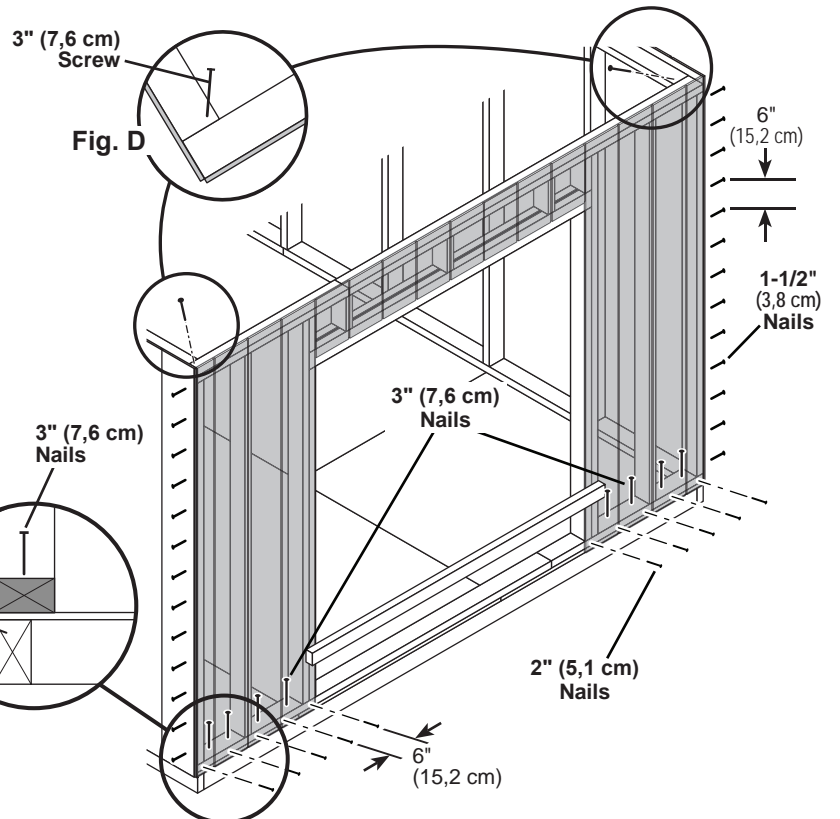
STANDARD:
DOOR LOCATED
ON 10' GABLE WALL



2 Nail lower edge of panels to floor with 2" nails spaced 6" apart. Angle nails into floor frame (Fig. C).

Nail panels to 10' wall studs with 1-1/2" nails spaced 6" apart.

3 Secure wall top plates with 3" screws at each corner at an angle (Fig. D).



⚠ Nail 2" nails first.

2" (5,1 cm) Nails

3" (7,6 cm) Nails

Fig. C



FINISH

Your walls are now installed.

**CUT OUT AND REMOVE BOTTOM PLATE
AT DOOR OPENING.
REMOVE TEMPORARY BRACING.**

10' x 14' WALL DOUBLERS INSTALLATION

PARTS REQUIRED:

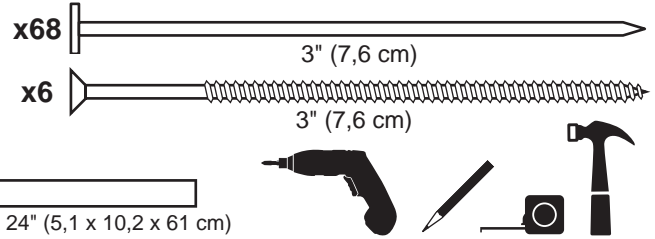
x2 **SP**
2 x 4 x 48" (5,1 x 10,2 x 121,9 cm)

x2 **JBD**
2 x 4 x 20-3/8" (5,1 x 10,2 x 51,8 cm)

x2 **TJ**
2 x 4 x 92-5/8" (5,1 x 10,2 x 235 cm)

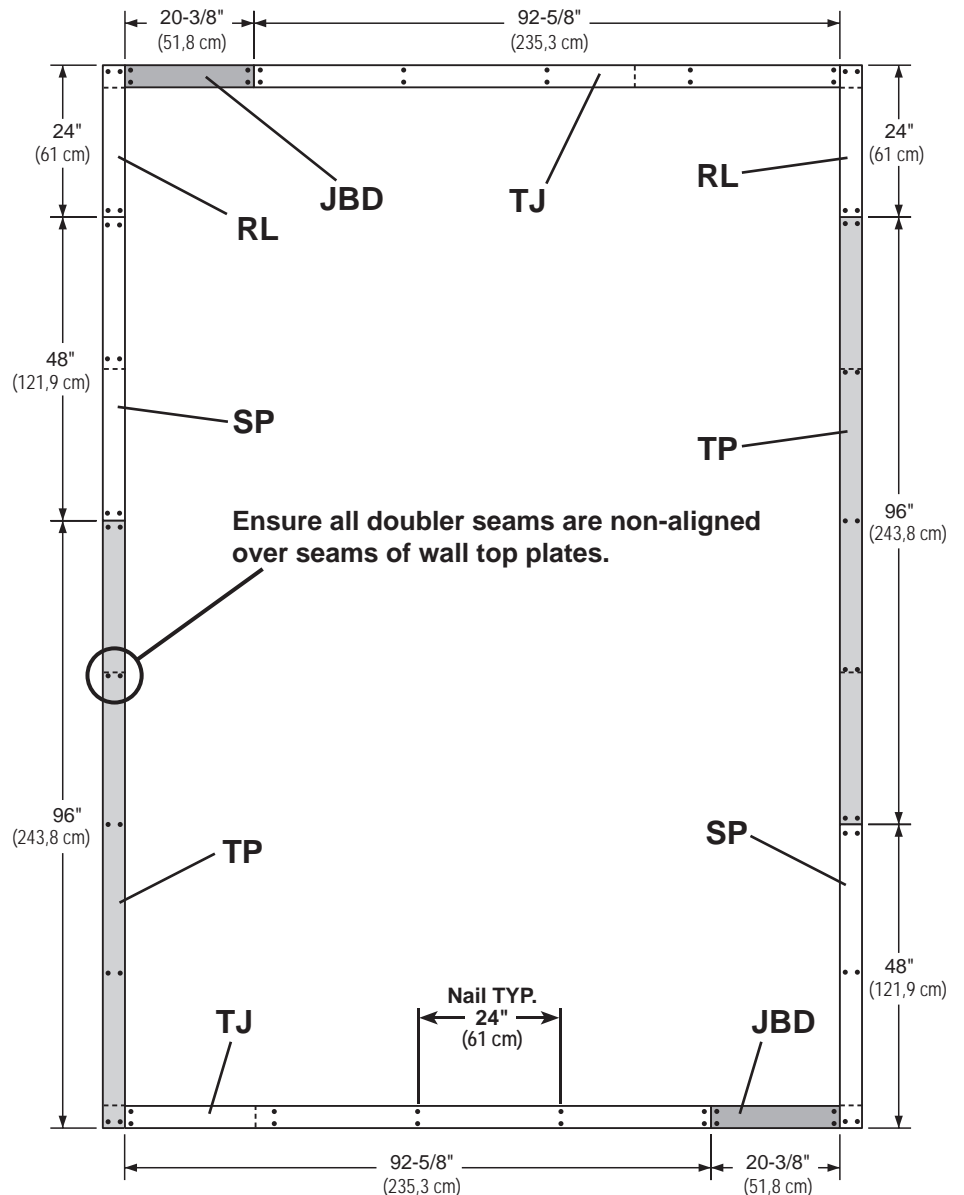
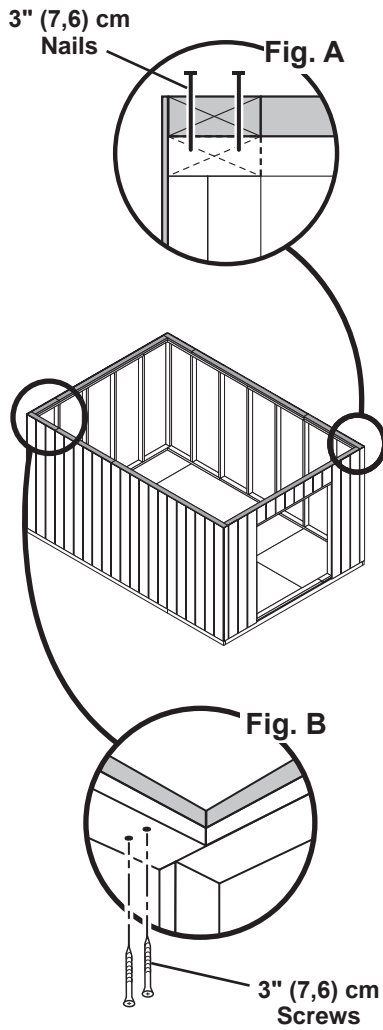
x2 **TP**
2 x 4 x 96" (5,1 x 10,2 x 243,8 cm)

x2 **RL**
2 x 4 x 24" (5,1 x 10,2 x 61 cm)



✓ BEGIN

- 1 Orient parts on top of wall frames. Measure and mark from end of boards.
- 2 Secure from top with (2) 3" nails spaced every 24" (Fig. A).
- 3 Secure from bottom with (4) 3" screws at each corner (Fig. B).



Your wall doublers are now installed.

CONTINUE TO PAGE 61 TO CONTINUE BUILDING YOUR SHED.



10' GABLE WALL INSTALLATION

PARTS REQUIRED:

x1 **OO**
69" (175,3 cm) Door Stiffener



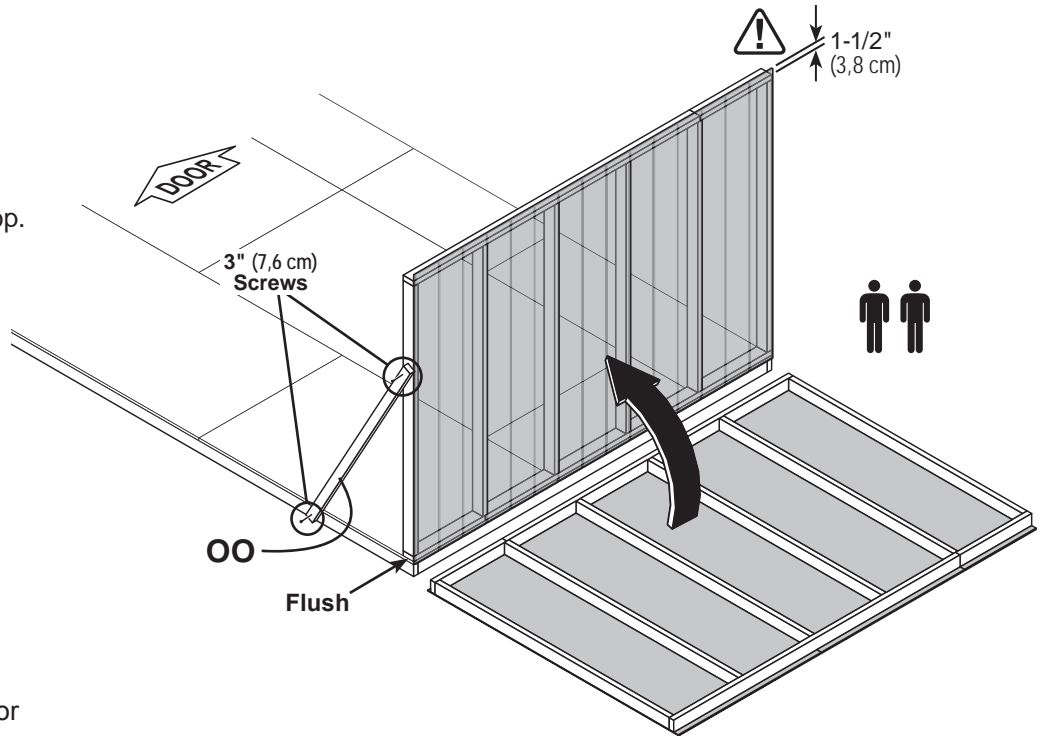
x10 3" (7,6 cm)
x2 3" (7,6 cm)
x23 2" (5,1 cm)

✓ **BEGIN**

1

Center 10' wall on the 120" (304,8 cm) floor dimension.
1-1/2" (3,8 cm) overlap is to the top.

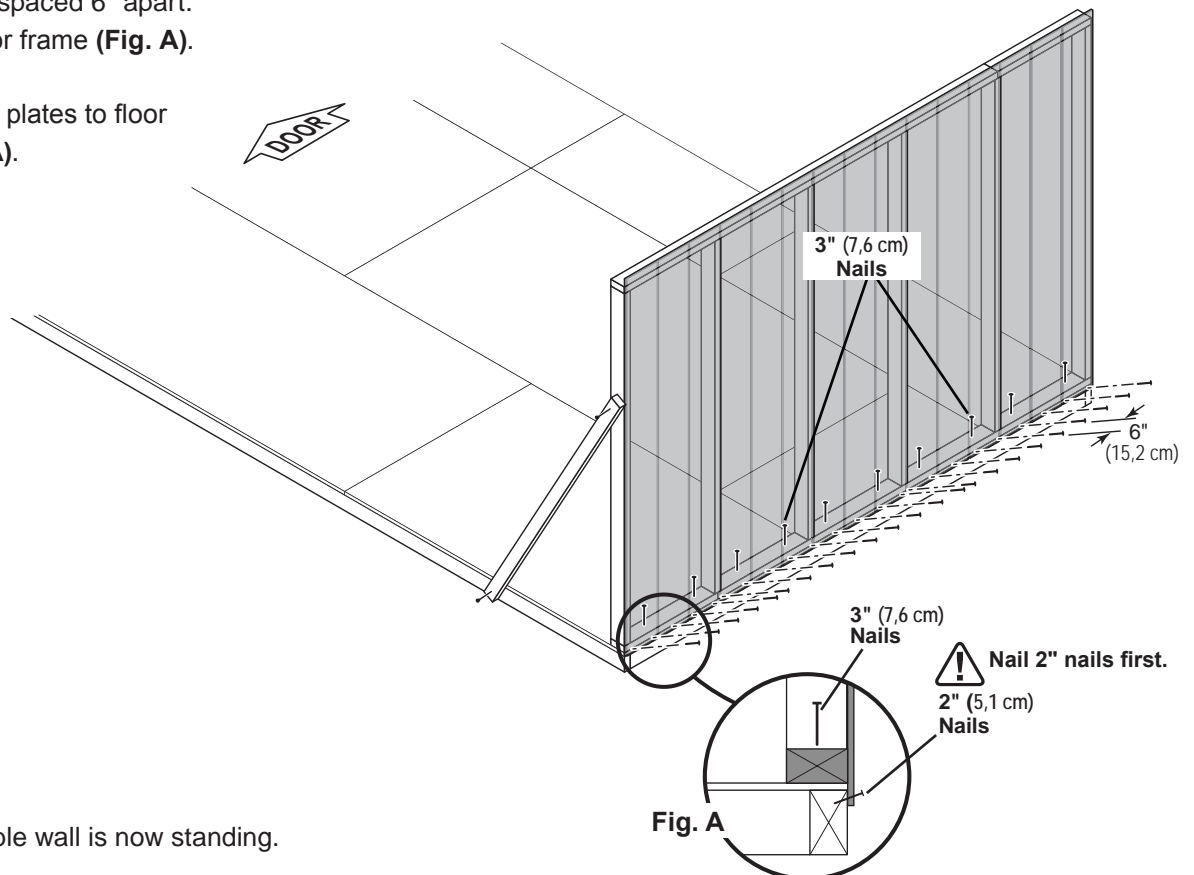
Use **OO** as a temporary brace.
Secure with (2) 3" screws.



2

Secure lower edge of panel to floor frame with 2" nails spaced 6" apart. Angle nails into floor frame (**Fig. A**).

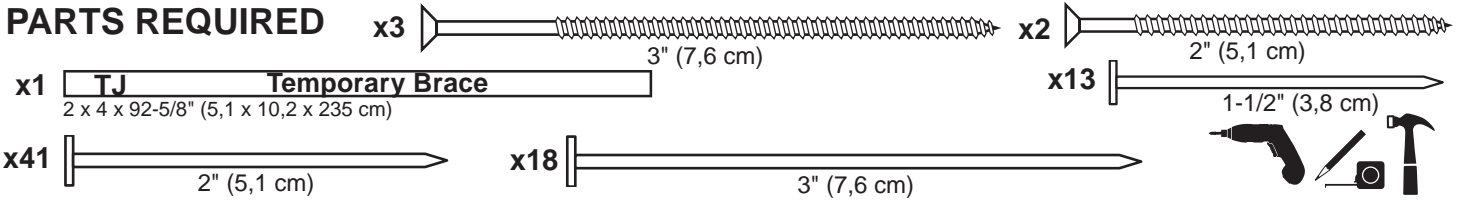
Secure wall bottom plates to floor with 3" nails (**Fig. A**).



Your 10' gable wall is now standing.

18' EAVE WALL INSTALLATION

PARTS REQUIRED



✓ BEGIN 1

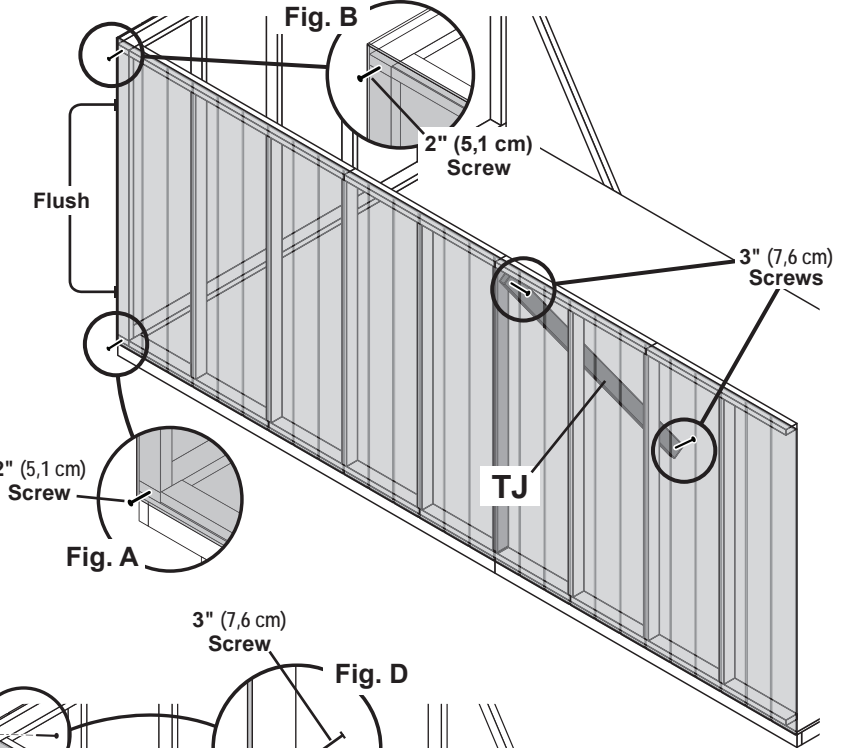


Place 1st 18' eave wall centered on floor. The 1-1/2" (3,8 cm) overlap is to the top. Use TJ as a temporary brace as shown. Secure TJ with (2) 3" screws.

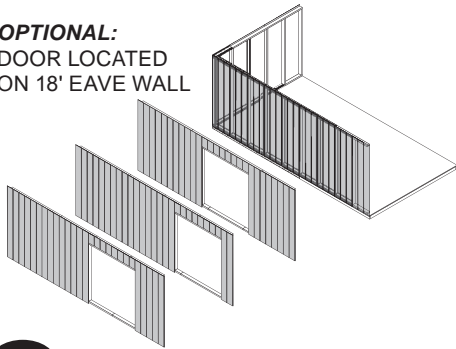
Secure wall with (1) 2" screw into 10' wall bottom plate (Fig. A) and top plate (Fig. B).

Secure wall to bottom plate first.

⚠ ENSURE PANEL CORNERS ARE FLUSH.



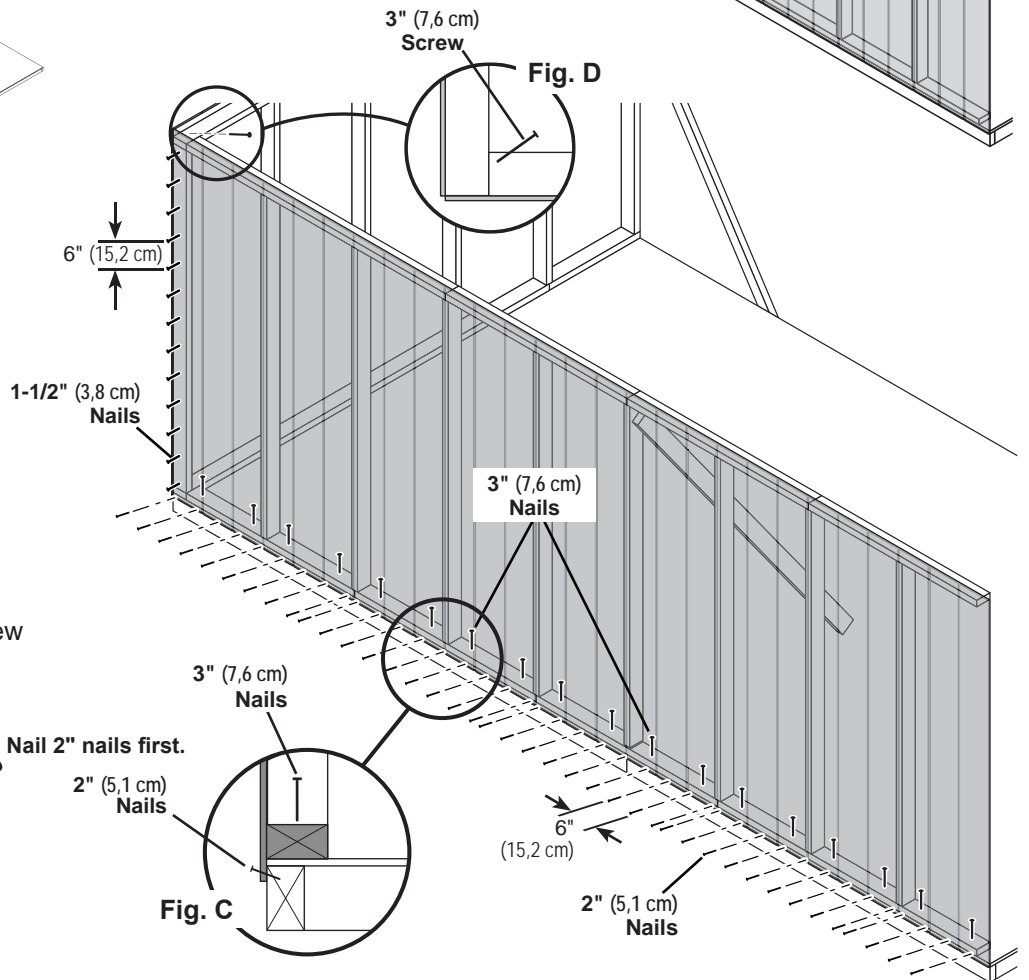
OPTIONAL:
DOOR LOCATED
ON 18' EAVE WALL



2

Nail lower edge of panels to floor with 2" nails spaced 6" apart. Angle nails into floor frame (Fig. C).

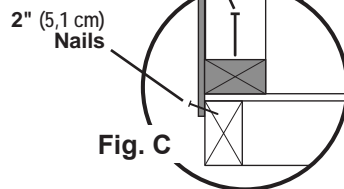
Nail panel to 10' wall stud with 1-1/2" nails spaced 6" apart.



3

Secure wall top plate with (1) 3" screw at the corner at an angle as shown (Fig. D).

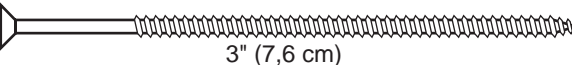
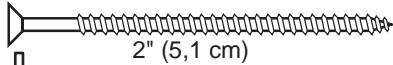
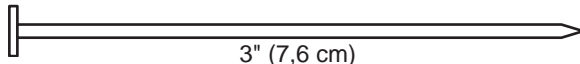
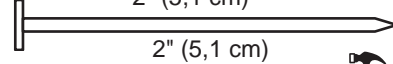
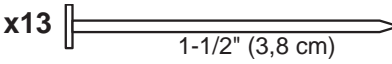
⚠ Nail 2" nails first.




Your 1st 18' eave wall is now installed.

18' EAVE WALL INSTALLATION

PARTS REQUIRED:

- x3  3" (7,6 cm)
- x2  2" (5,1 cm)
- x18  3" (7,6 cm)
- x41  2" (5,1 cm)
- x1 **TJ Temporary Brace**
2 x 4 x 92-5/8" (5,1 x 10,2 x 235 cm)
- x13  1-1/2" (3,8 cm)



BEGIN
1

Remove temporary brace **OO** from installed 10' wall.

Place 2nd 18' wall centered on floor.
1-1/2" (3,8 cm) overlap is to the top.

Use **TJ** as a temporary brace as shown.
Secure **TJ** with (2) 3" screws.

2

Secure wall with (1) 2" screw through gable wall panel into 10' wall bottom and top plates (**Fig. A, Fig. B**).

! ENSURE PANEL CORNERS ARE FLUSH.

Secure wall to bottom plate first.

3

Nail lower edge of wall panels to floor frame with 2" nails spaced 6" apart.
Angle nails into floor frame (**Fig. C**).

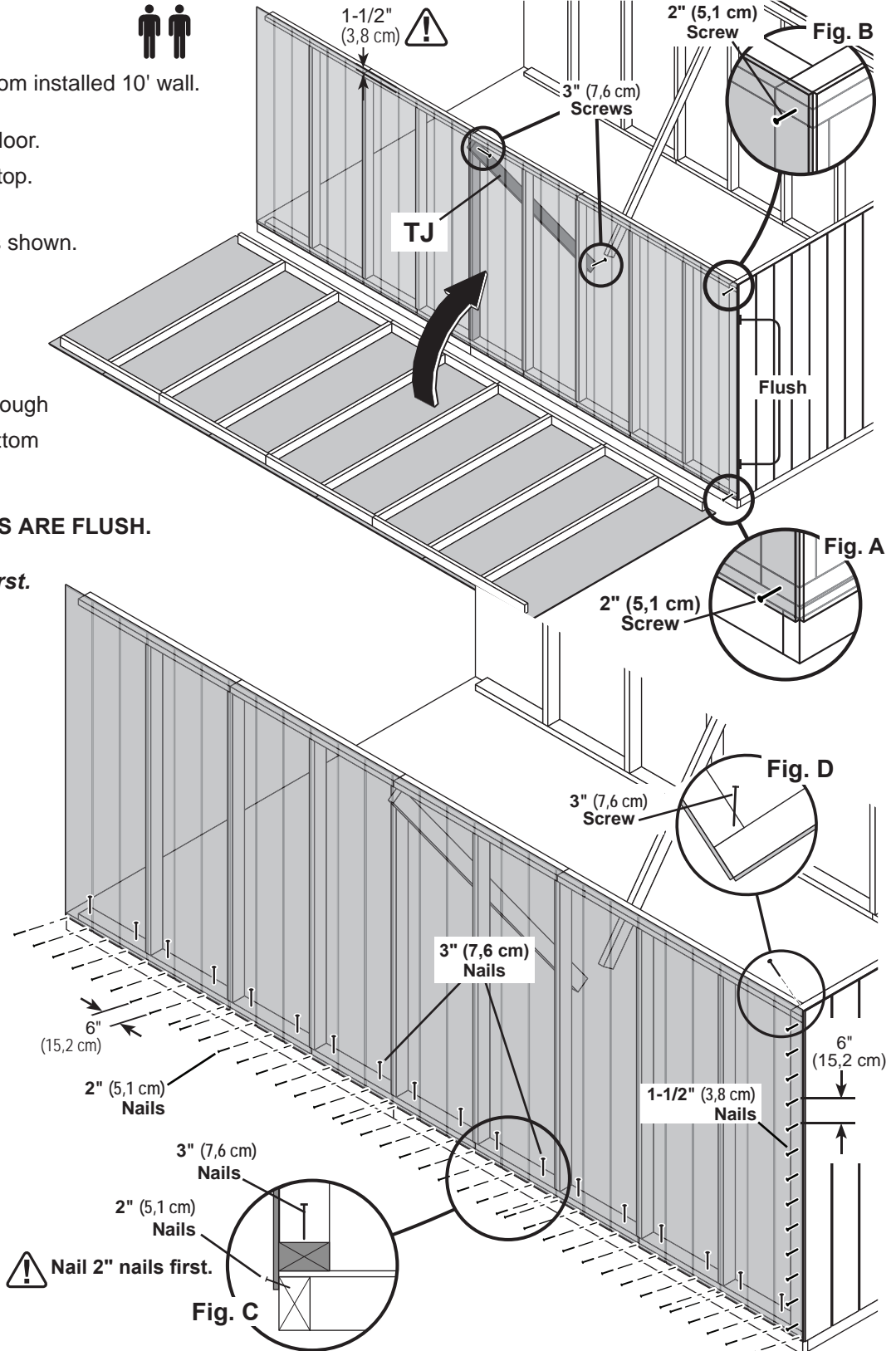
Secure wall bottom plates to floor with 3" nails (**Fig. C**).

4

Nail 18' wall panel to 10' wall stud with 1-1/2" nails spaced 6" apart.

5

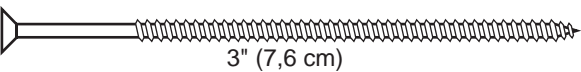
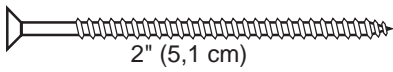
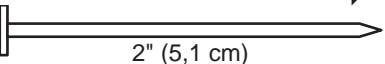
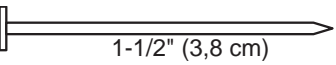
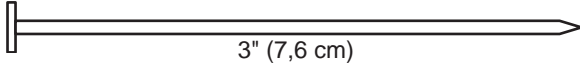
Secure gable wall top plate with (1) 3" screw at the corner at an angle as shown (**Fig. D**).

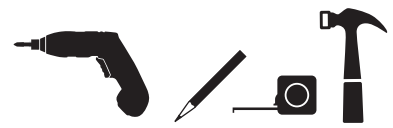


Your 2nd 18' wall is now installed.

10' GABLE WALL INSTALLATION

PARTS REQUIRED

- x2  x4 
- x10 
- x26  x8 



✓ BEGIN

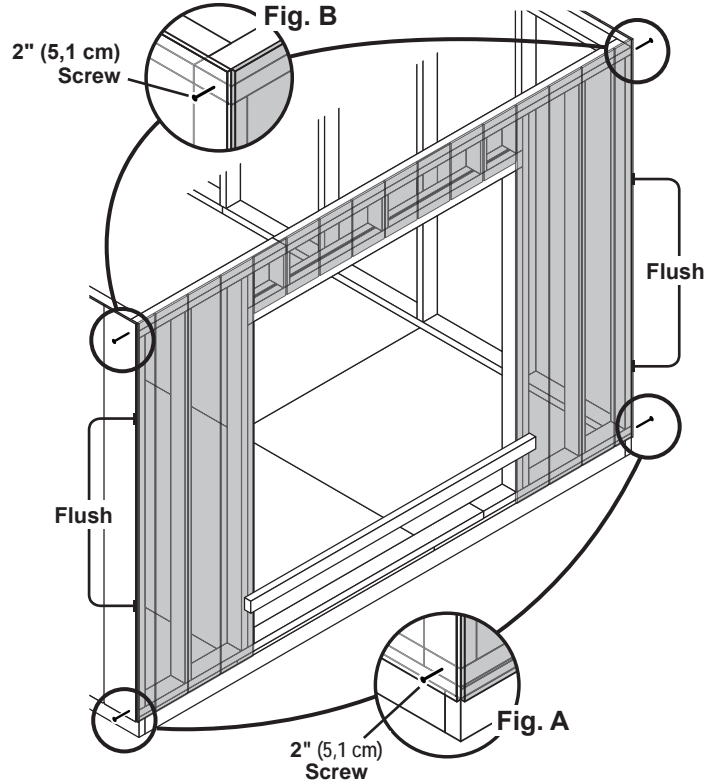
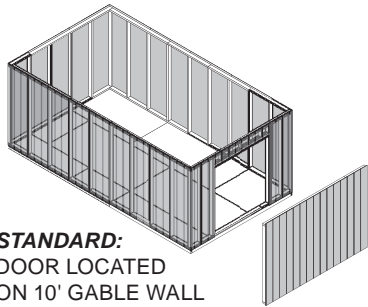
1 Place 10' gable wall on floor centered between installed walls.



Secure wall with 2" screws into top and bottom plates (Fig. A, Fig. B).

Secure wall to bottom plate first.

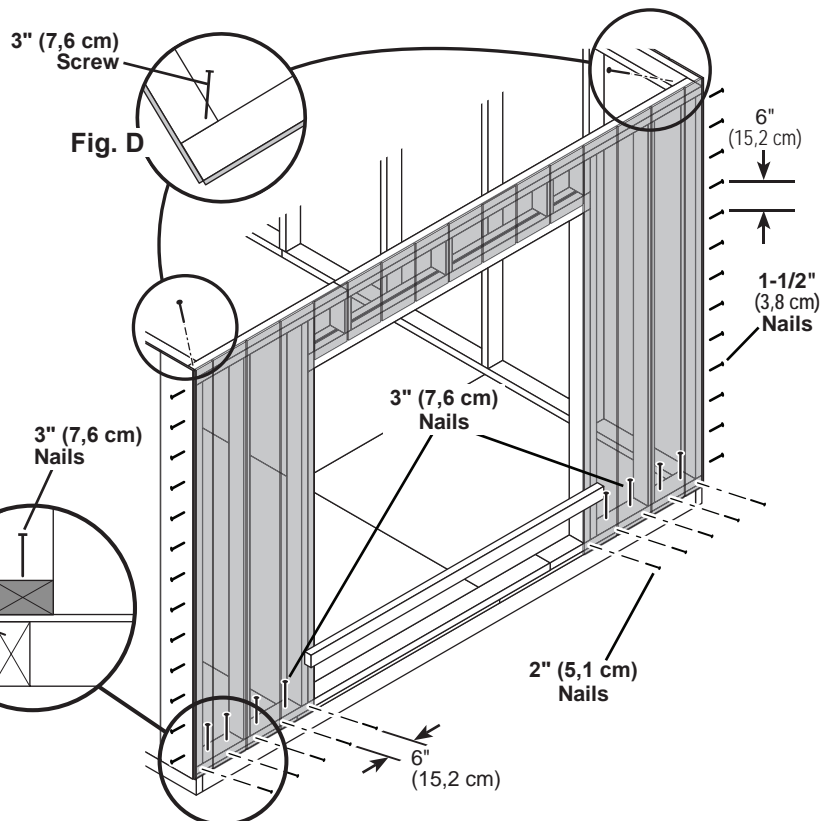
⚠ ENSURE PANEL CORNERS ARE FLUSH. ⚠



2 Nail lower edge of panels to floor with 2" nails spaced 6" apart. Angle nails into floor frame (Fig. C).

Nail panels to 10' wall studs with 1-1/2" nails spaced 6" apart.

3 Secure wall top plates with 3" screws at each corner at an angle (Fig. D).



⚠ Nail 2" nails first.

2" (5,1 cm) Nails

3" (7,6 cm) Nails

3" (7,6 cm) Nails

2" (5,1 cm) Nails

6" (15,2 cm)

6" (15,2 cm)

1-1/2" (3,8 cm) Nails



FINISH

Your walls are now installed.

Fig. C

**CUT OUT AND REMOVE BOTTOM PLATE AT DOOR OPENING.
REMOVE TEMPORARY BRACING.**

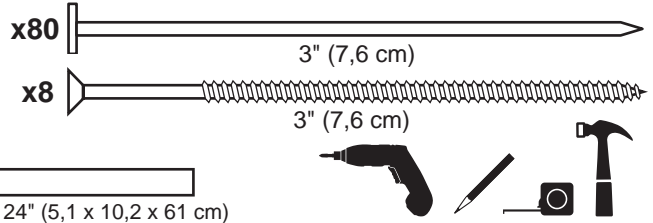
10' x 18' WALL DOUBLERS INSTALLATION

PARTS REQUIRED:

x4 **SP** 2 x 4 x 48" (5,1 x 10,2 x 121,9 cm) x2 **JBD** 2 x 4 x 20-3/8" (5,1 x 10,2 x 51,8 cm)

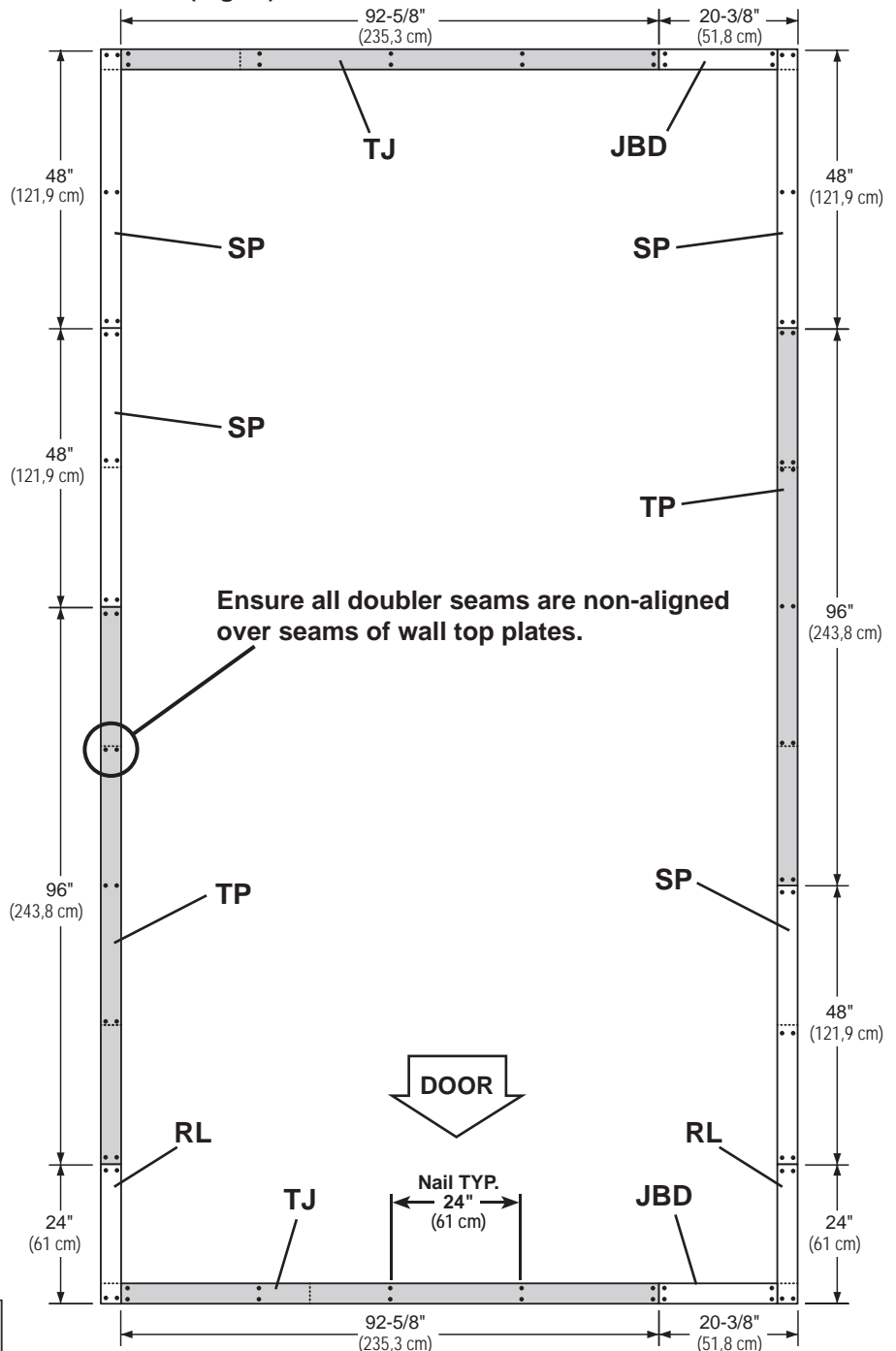
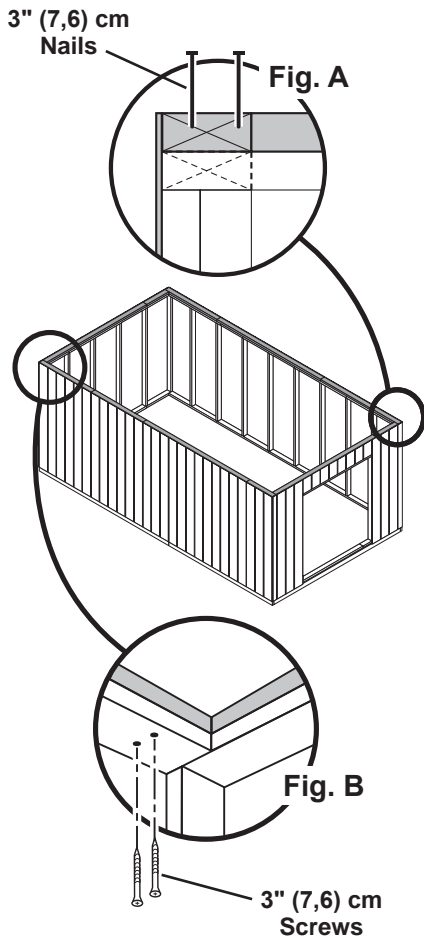
x2 **TJ** 2 x 4 x 92-5/8" (5,1 x 10,2 x 235 cm)

x2 **TP** 2 x 4 x 96" (5,1 x 10,2 x 243,8 cm) x2 **RL** 2 x 4 x 24" (5,1 x 10,2 x 61 cm)



BEGIN

- 1 Orient parts on top of wall frames. Measure and mark from end of boards.
- 2 Secure from top with (2) 3" nails spaced every 24" (Fig. A).
- 3 Secure from bottom with (2) 3" screws at each corner (Fig. B).



FINISH

Your wall doublers are now installed.

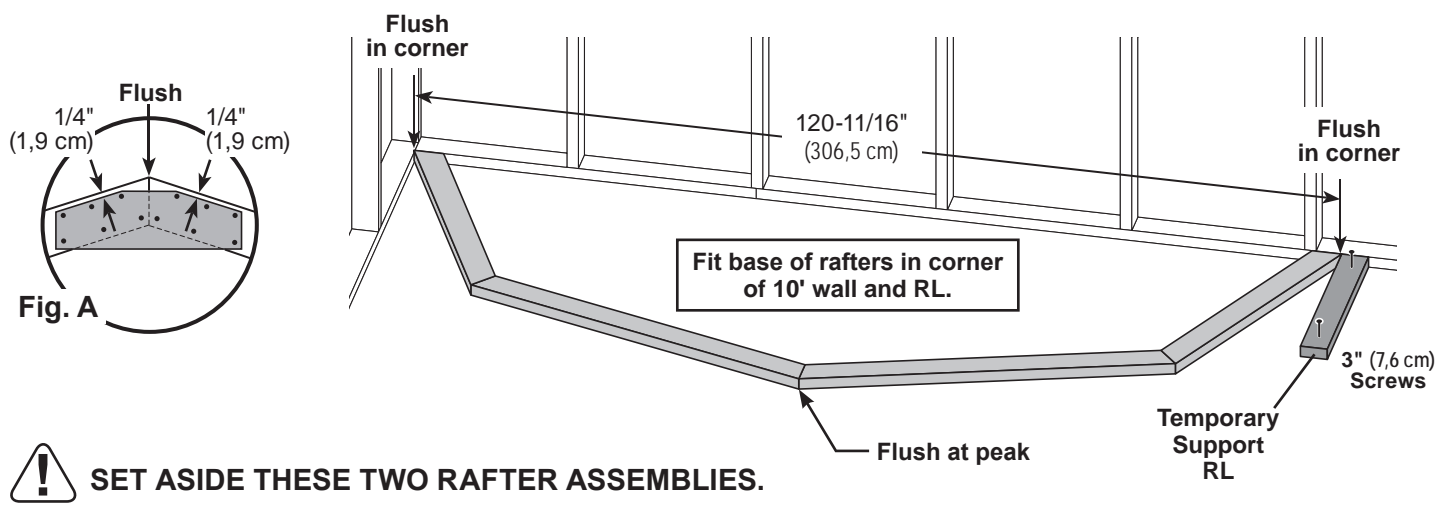
CONTINUE TO NEXT PAGE TO CONTINUE BUILDING YOUR SHED.

RAFTERS

10x10'	10x14'	10x18'	PARTS REQUIRED:		x2 3" (7,6 cm)
x10	x14	x18	6 x 24" (15,2 x 60,9 cm)	x1 RL Temporary Support	2 x 4 x 24" (5,1 x 10,2 x 61 cm)
x12	x16	x20	Pre-assembled		
x120	x168	x216	2" (5,1 cm)		

Build (2) rafter assemblies with(1) gusset (Fig. B).

- ✓ BEGIN**
- 1** Measure 120-11/16 (306,5 cm) from the corner and install RL with (2) 3" screws. Place two rafter-halves on floor and flush in the corners of wall and RL. Flush rafters at peak. Secure gusset to rafters with 2" nails following the pattern shown (Fig. A).
- HINT:**
Use floor and walls to help assemble rafters!



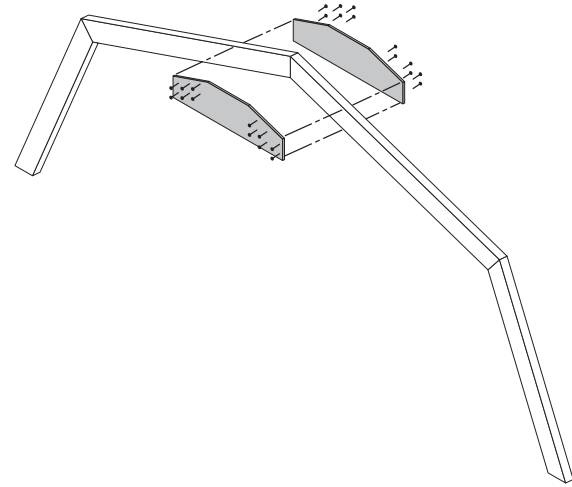
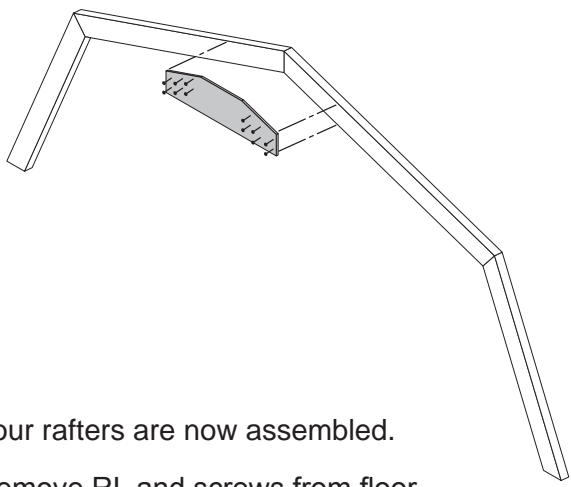
⚠ SET ASIDE THESE TWO RAFTER ASSEMBLIES.

Depending on your shed size, build 4 , 6 or 8 rafter assemblies with (2) gussets (Fig. C).

- 2** Place two rafter-halves on floor and flush in the corners of wall and RL, as shown in STEP - 1. Flush rafters at peak. Secure gusset to rafters with 2" nails following the pattern shown (Fig. A).
- 3** Flip over rafter assembly and fasten second gusset to other side with 2" nails (Fig. C).

Fig. B - Build 2



Fig. C - Build 4, 6 or 8




FINISH
Your rafters are now assembled.
Remove RL and screws from floor.

10x10' 10x14' RAFTER INSTALLATION 10x18'

PARTS REQUIRED:

x4	x6		Two-Gusset Preassembled
x2	x2		
x24	x32		One-Gusset Preassembled

Page 63

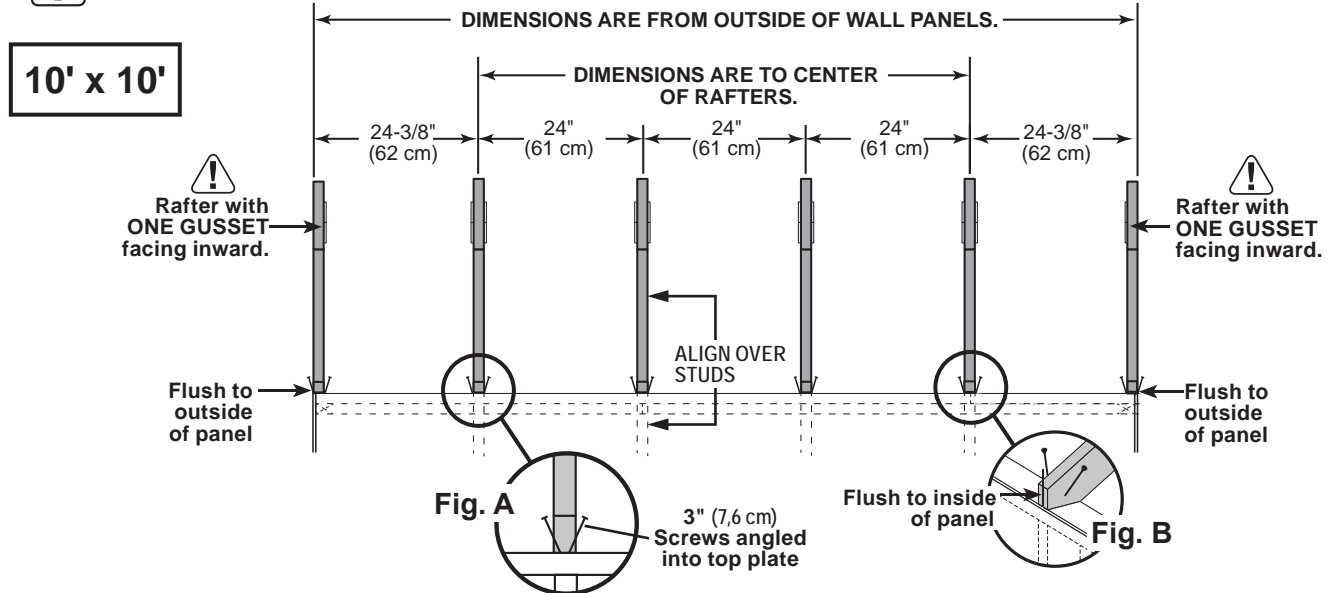
 3" (7,6 cm)

BEGIN

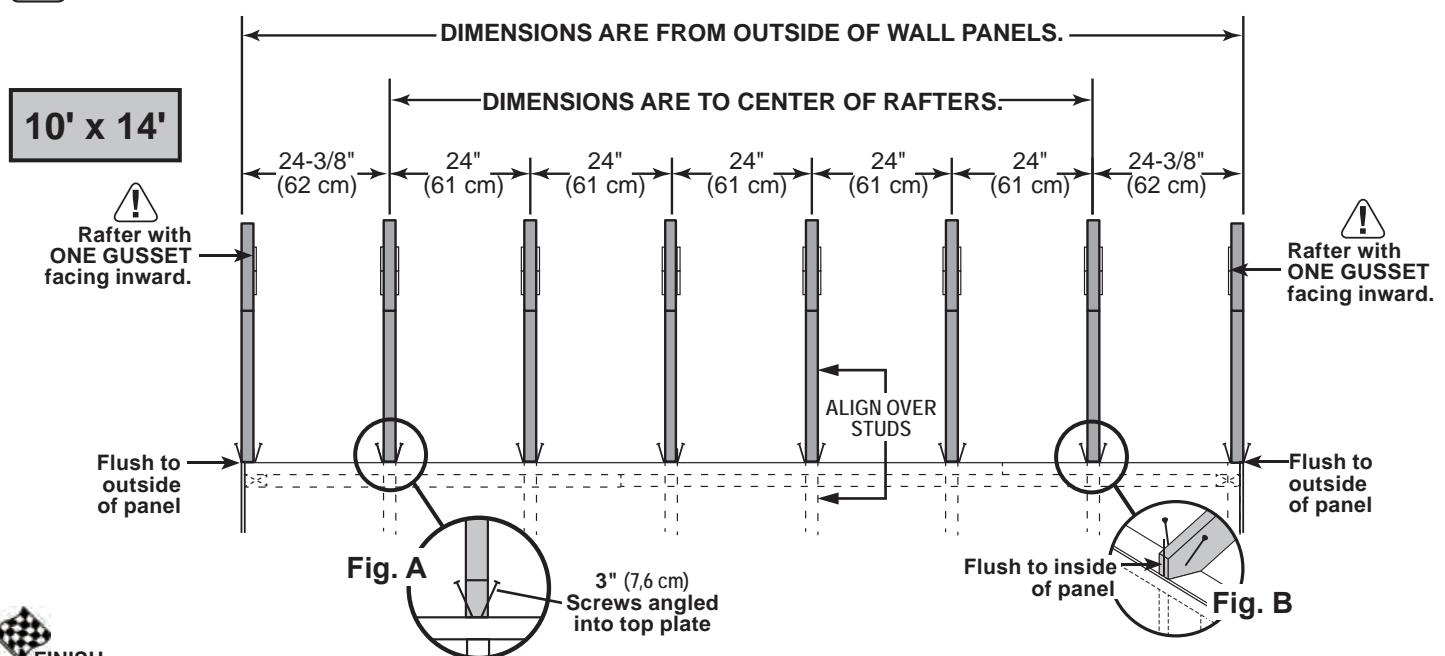
- Align rafters over the wall studs.
 - Check that you have the measurements shown.
 - Secure rafters with (2) 3" screws angled at each end (**Fig. A, Fig. B**).
 - Secure rafters on opposite side.



! Maintain the measurements between rafters.



! Maintain the measurements between rafters.



Your rafters are now installed.

10x18'

RAFTER INSTALLATION

PARTS REQUIRED:

x8



Two-Gusset
Preassembled

x2



One-Gusset
Preassembled

x40



✓ BEGIN

1 Align rafters over the wall studs.

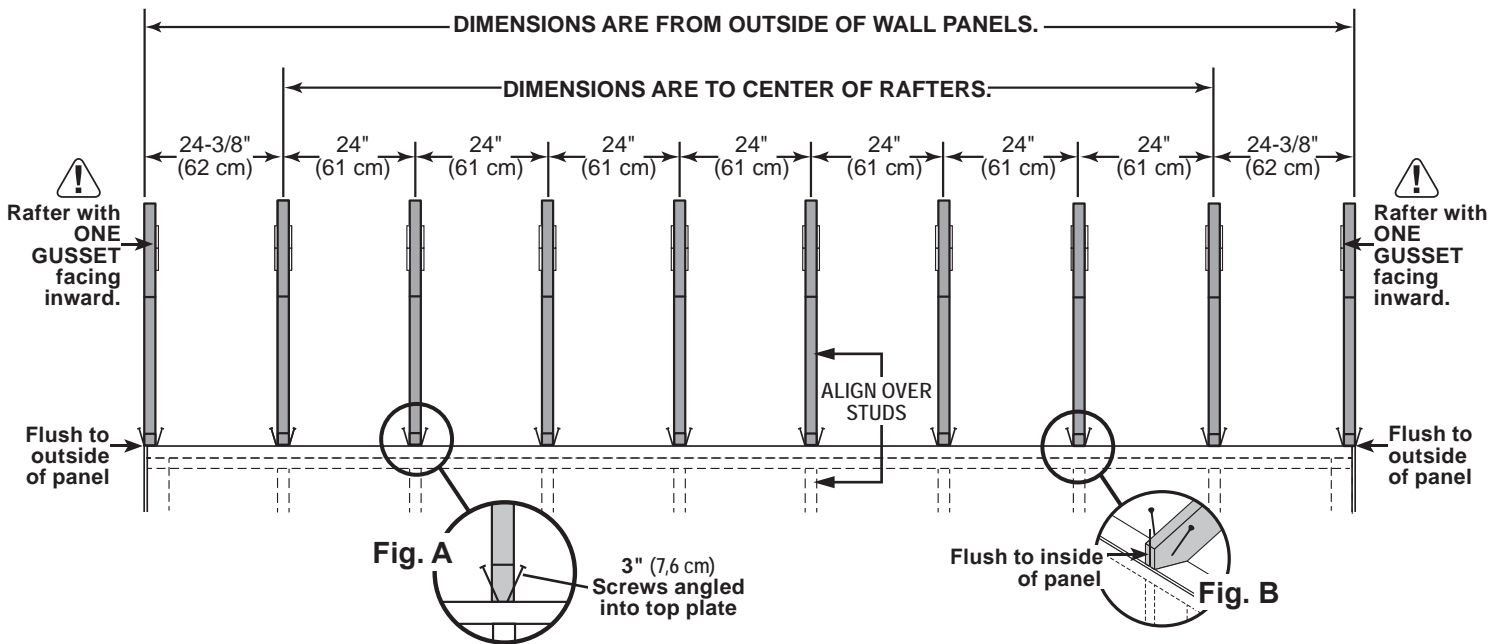
Check that you have the measurements shown.

Secure rafters with (2) 3" screws angled at each end (**Fig. A, Fig. B**).

Secure rafters on opposite side.

Maintain the measurements between rafters.

10' x 18'



Your rafters are now installed.

GABLE HAY LOFT TRIM

PARTS REQUIRED:

x2 **JGA**
19/32" x 2-1/2" x 12-7/8" (1,6 x 7,6 x 32,7 cm)

x4 **KX**
19/32" x 2-1/2" x 21-3/4" (1,6 x 7,6 x 55,2 cm)

x1 **LKA**
19/32" x 2-1/2" x 25-3/4" (1,6 x 7,6 x 65,4 cm)

x1



x14 2" (5,1 cm)

x20 3/4" (1,9 cm)

x2 **QL Temporary Support**
2 x 4 x 39" (5,1 x 10,2 x 99,1 cm)



✓ BEGIN

- 1 Set gable center panel on top of (2) QL, as shown.

Measure and mark the 12" (30,5 cm) center of the gable panel and 7-1/2" (19,1 cm) from bottom of panel.

- 2 Arrange trim parts as shown, with all connections flush.

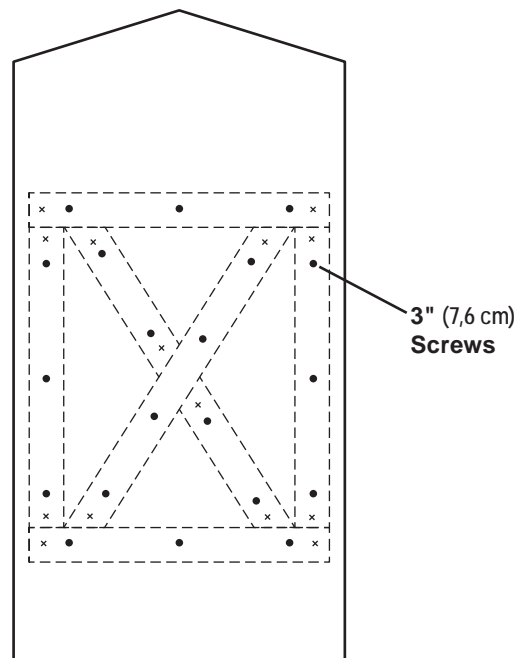
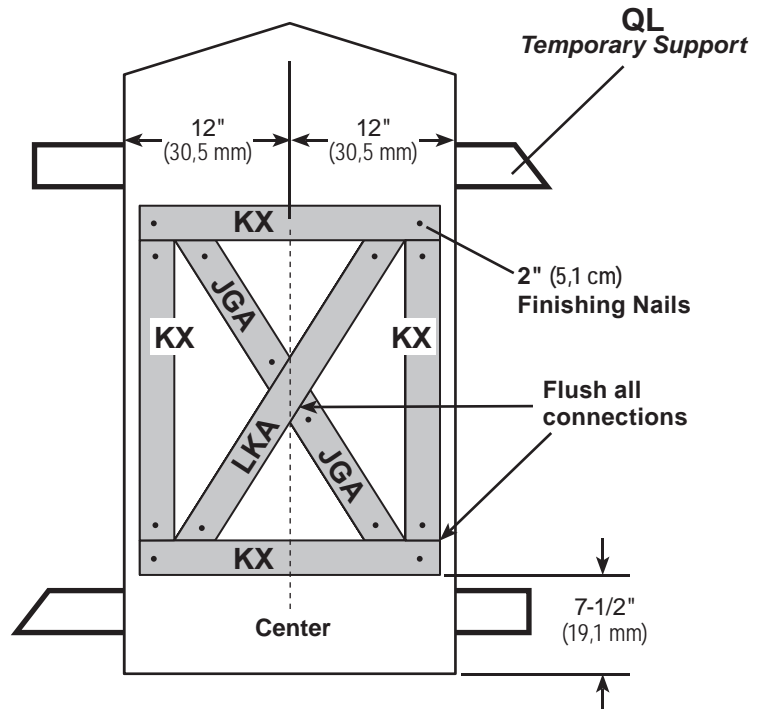
Secure with 2" finishing nails, (2) in each part.

You are finished with the temporary supports. Set them aside.

- 3 Turn the panel (with trim attached) over.

Secure each part with 3/4" screws between nails, as shown.

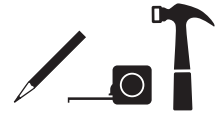
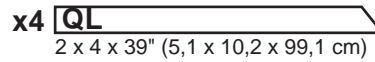
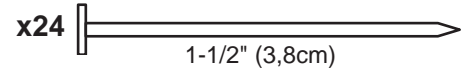
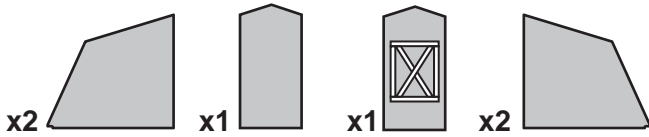
Snip off the protruding nails.



Your gable panel with hay loft trim is now assembled.

GABLE PANELS

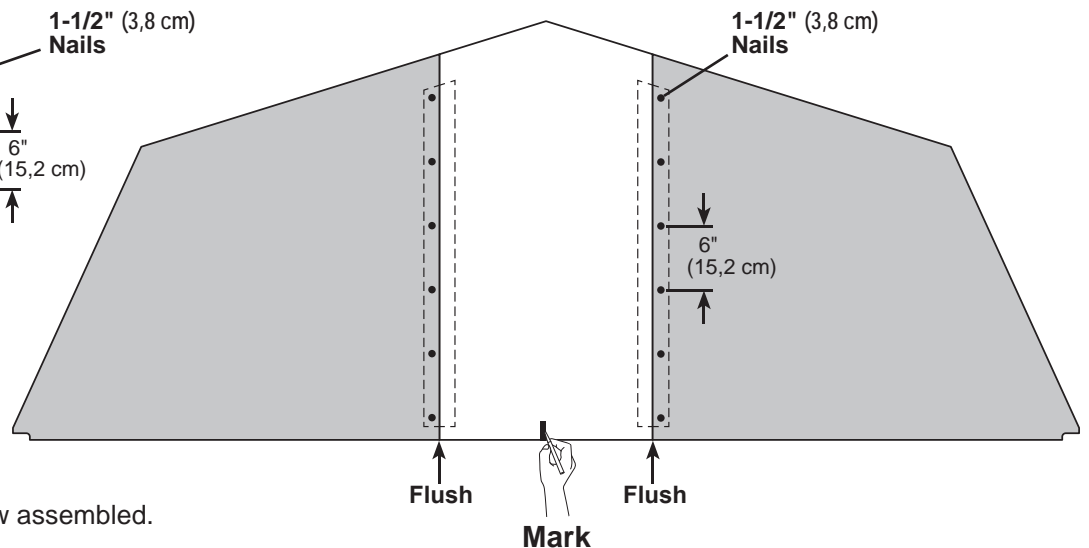
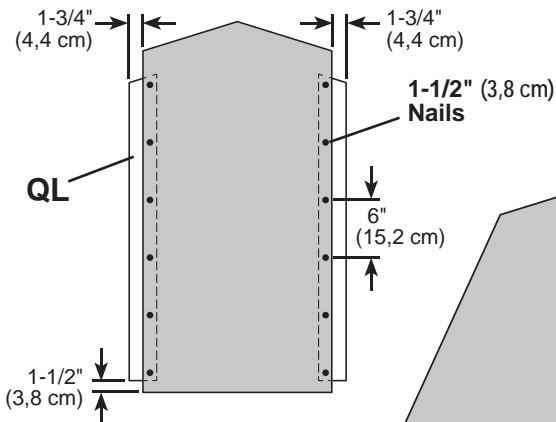
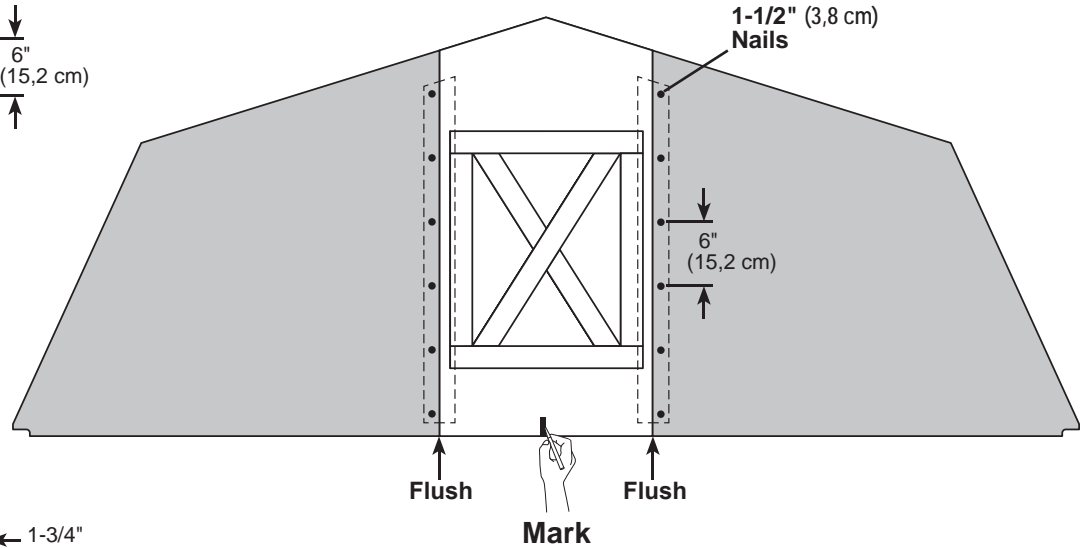
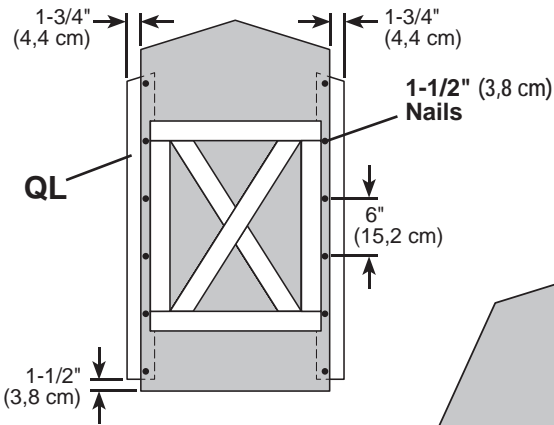
PARTS REQUIRED:



Install gable panels with the primed side facing up.

✓ BEGIN

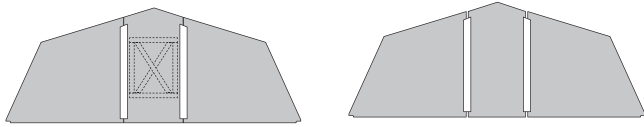
- 1 Orient parts **QL** on the flat side, as shown.
Measure and mark the center of the middle gable panel. Secure with 1-1/2" nails spaced 6" apart along edge.
- 2 Place end panels on **QL** flush to installed panel and secure with 1-1/2" nails spaced 6" apart along edge.
Repeat STEP 2 for right panel.
Repeat STEPS 1 - 3 for opposite side gable panels.



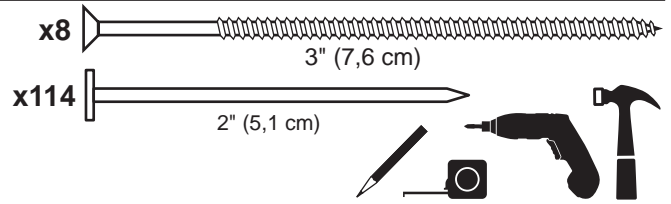
Your gable units are now assembled.

GABLE INSTALLATION

PARTS REQUIRED:



Pre - assembled



✓ BEGIN

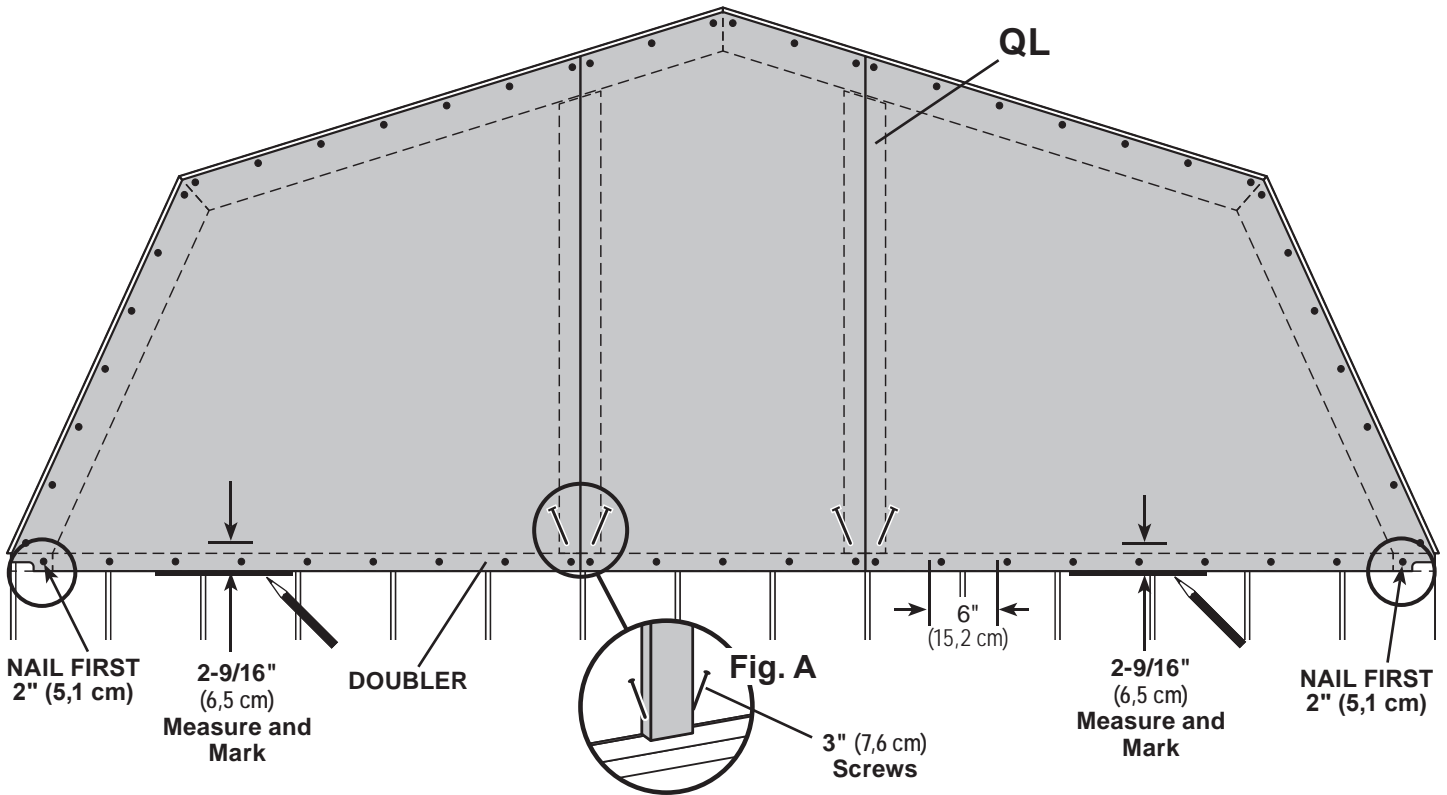


- 1 Measure 2-9/16" down from top plate doubler and mark at each side as shown. Set gable unit on top plate. Fasten with (1) 2" nail on each side.

⚠ BE SURE GABLE IS CENTERED ON WALL BEFORE NAILING. ⚠

Continue nailing lower edge of panels to wall doubler with 2" nails spaced 6" apart.

- 2 Working inside, secure gable unit with (2) 3" screws angled into each QL at an angle (Fig. A).



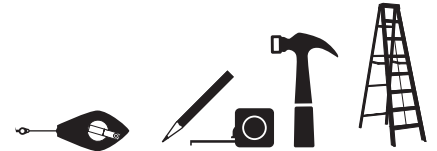
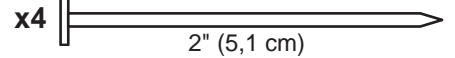
Repeat steps for installation of the opposite side 10' gable (with hay loft trim).




FINISH Your gable units are now installed.

10' x 10' ROOF PANELS

PARTS REQUIRED:



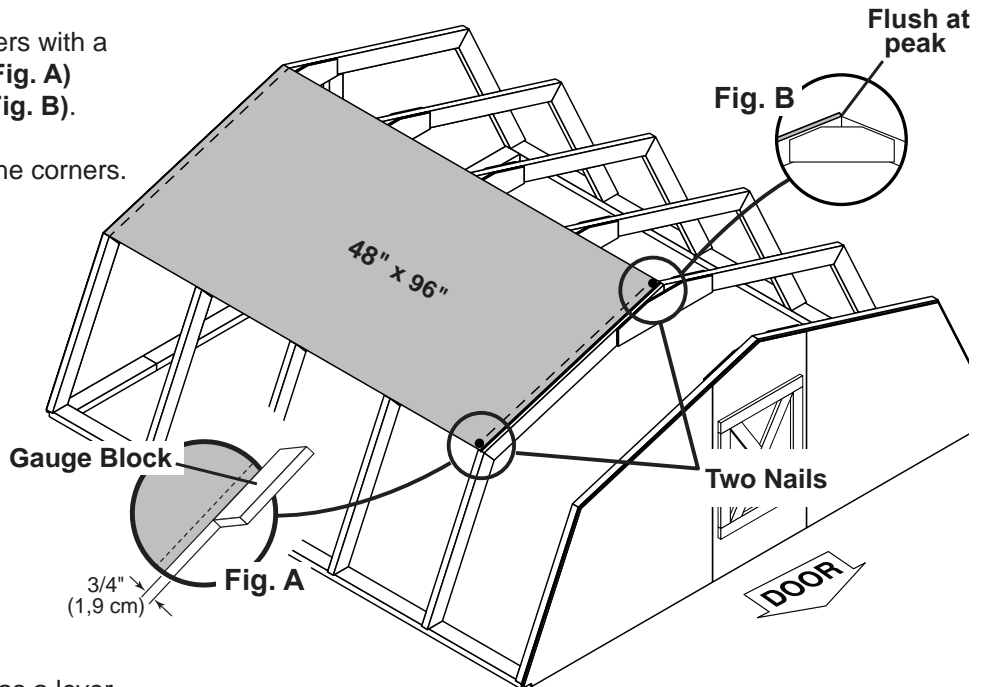
 **Roof panels may cause serious injury until securely fastened.**
Note: Install all roof panels with the rough side up (painted grid lines).



✓ **BEGIN**

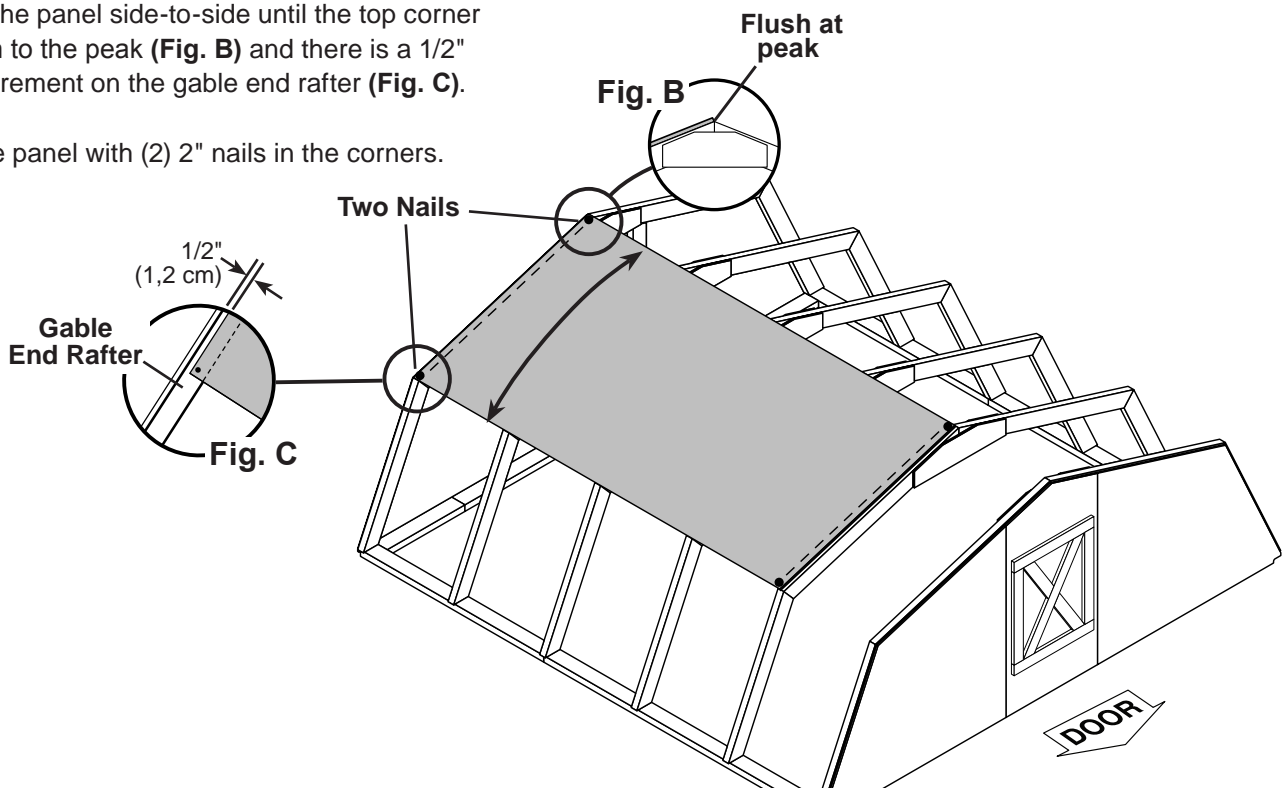
- 1 Place the 48" x 96" panel on rafters with a 3/4" measurement on the rafter (**Fig. A**) and the panel flush at the peak (**Fig. B**).

Secure panel with (2) 2" nails in the corners.



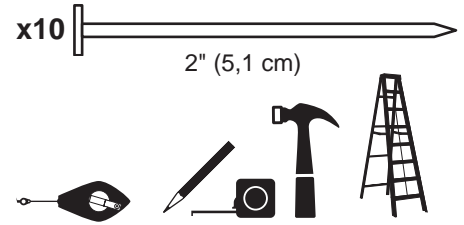
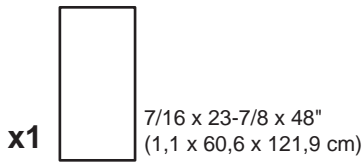
- 2 Move to the opposite end. Using the long edge of the panel as a lever, move the panel side-to-side until the top corner is flush to the peak (**Fig. B**) and there is a 1/2" measurement on the gable end rafter (**Fig. C**).

Secure panel with (2) 2" nails in the corners.



10' x 10' ROOF PANELS

PARTS REQUIRED:



- 3** Install a 23-7/8" x 48" roof panel flush to the installed panel and flush at peak (**Fig. B**).

Secure panel with (1) 2" nail in each corner.

- 4** Move the gable end rafter edge until it is 1/2" from the 23-7/8" x 48" roof panel (**Fig. C**).

Finish securing panel with (1) 2" nail in each corner.

- 5** Maintain spacing between the center of the rafters at the lower edge of the panels (**Fig. D**).

Secure panels with (1) 2" nail into each rafter, as shown.

Move to the top of the panel and keep spacing between the center of the rafters.

Secure panels with (1) 2" nail into each rafter.

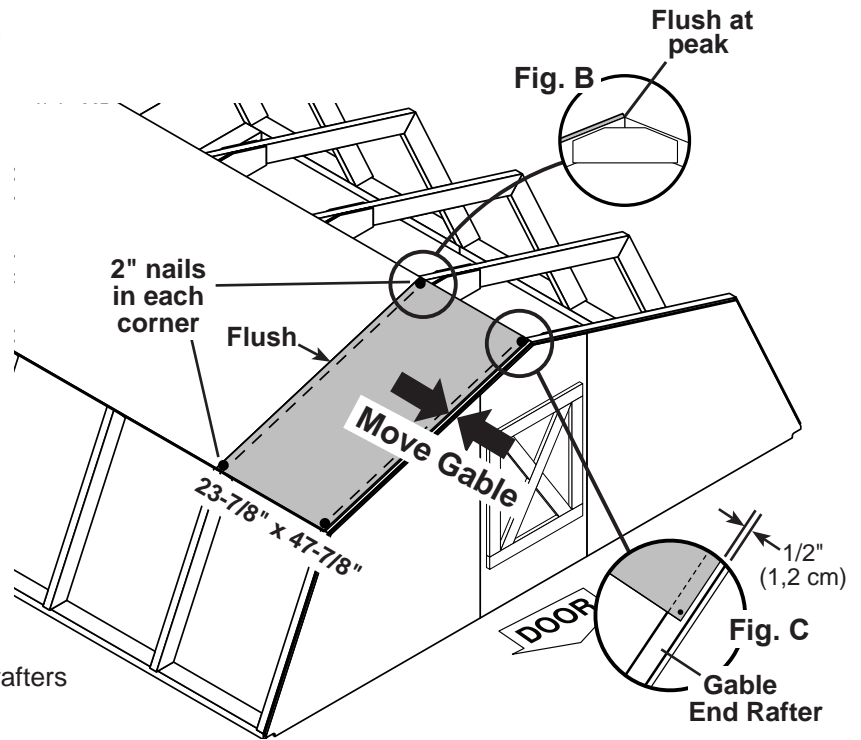
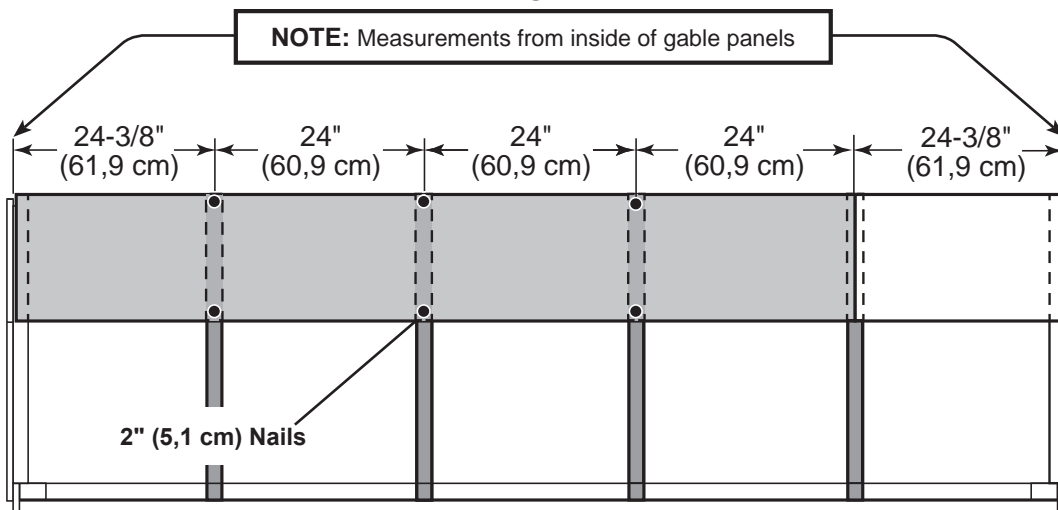






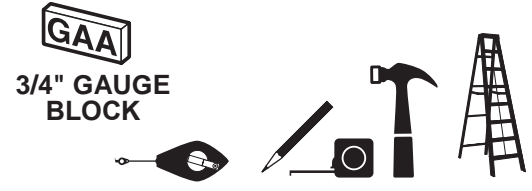
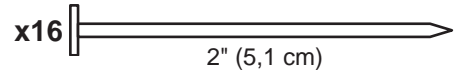
Fig. D



10' x 10' ROOF PANELS

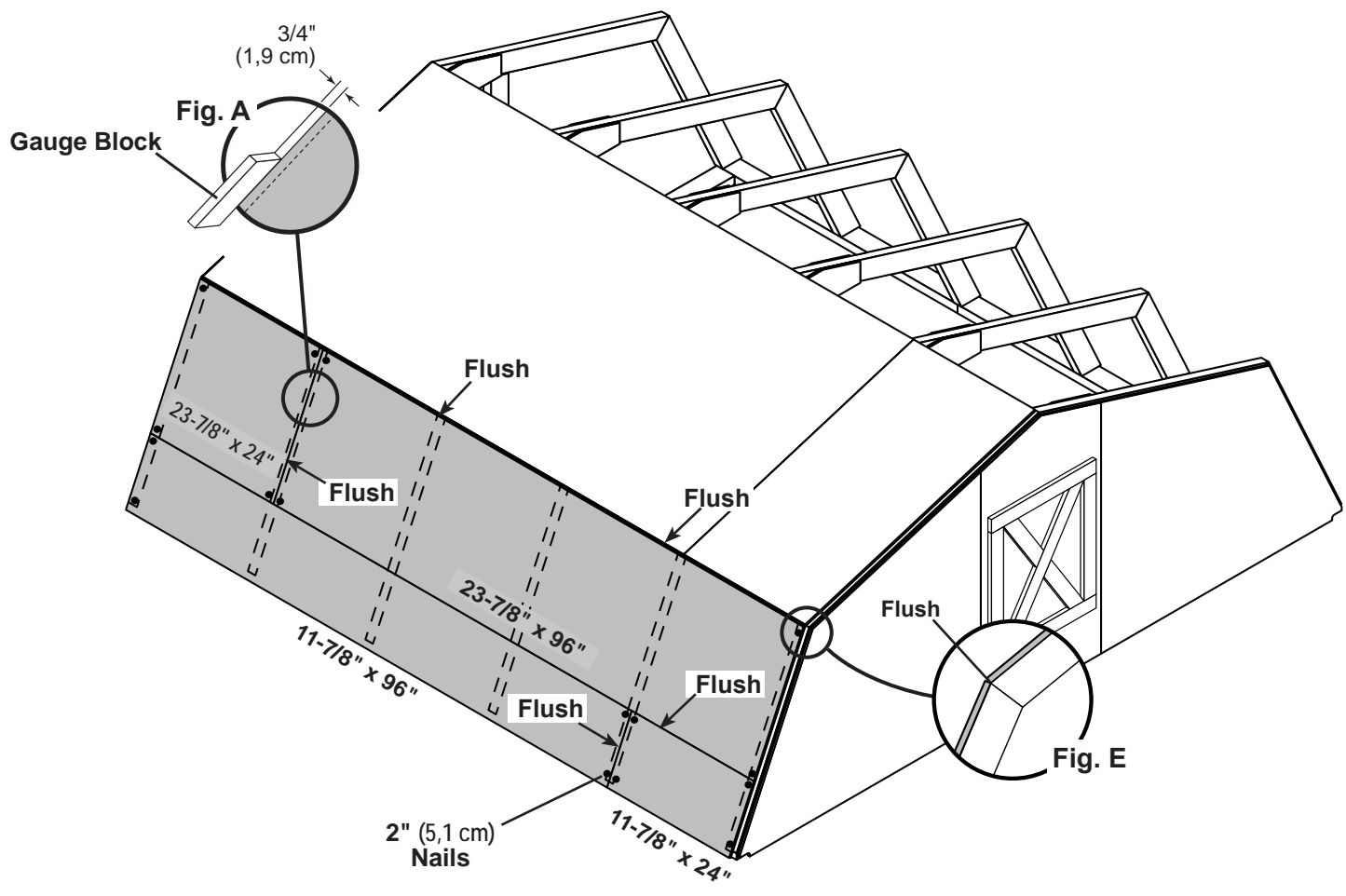
PARTS REQUIRED:

- | | | | |
|-----------------------------|-----------------------------------------------------------------------------------|-----------------------------|-----------------------------------------------------------------------------------|
| <input type="checkbox"/> x2 |  | <input type="checkbox"/> x2 |  |
| | 23-7/8" x 96"
(60,6 x 243,8 cm) | | 23-7/8" x 24"
(60,6 x 61 cm) |
| <input type="checkbox"/> x2 |  | <input type="checkbox"/> x2 |  |
| | 11-7/8" x 96"
(30,2 cm x 243,8 cm) | | 11-7/8" x 24"
(30,2 x 61 cm) |



6 Next, install **23-7/8" x 48"** and **23-7/8" x 96"** roof panels with a **3/4"** measurement on the rafter (**Fig A**) and flush to the installed panels (**Fig. E**).

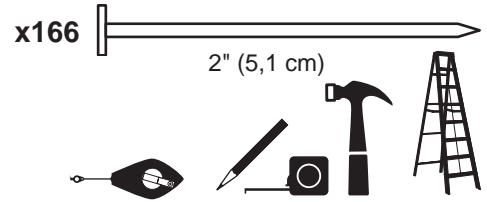
Secure panels with (1) 2" nail in each corner.



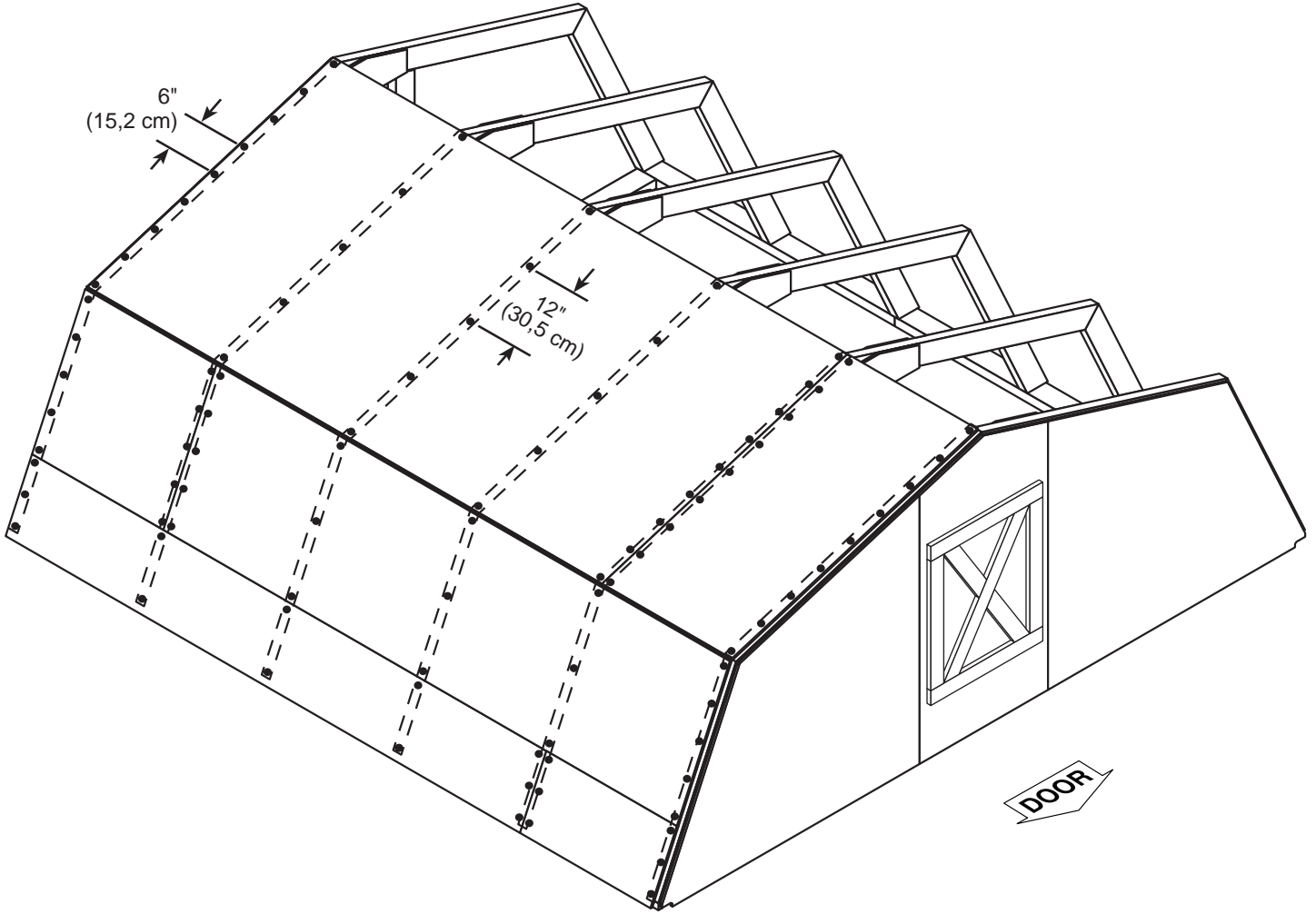
7 Install **11-7/8" x 96"** and **11-7/8" x 24"** roof panels flush to the installed panels. Secure panels with (1) 2" nail in each corner.

10' x 10' ROOF PANELS

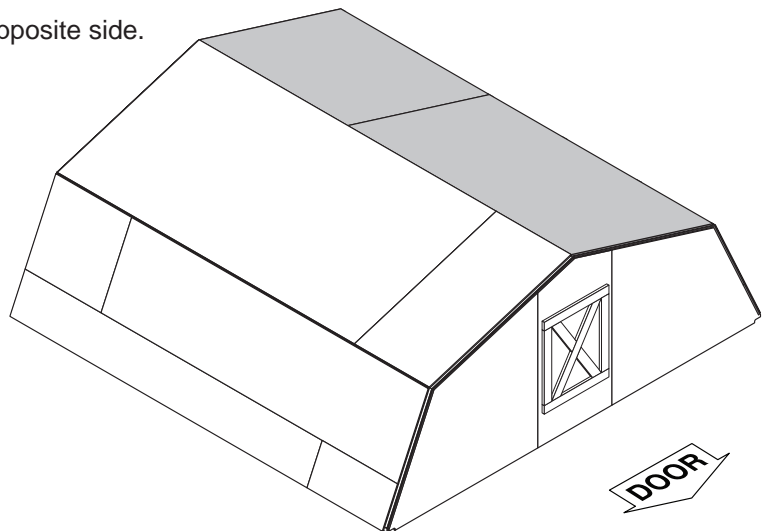
PARTS REQUIRED:



8 Secure all roof panels with 2" nails spaced 6" apart and 12" apart inside of the upper panels.



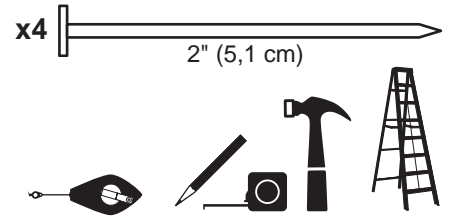
Repeat all steps to install roof panels on the opposite side.




Your roof panels are now installed.

10' x 14' ROOF PANELS

PARTS REQUIRED:



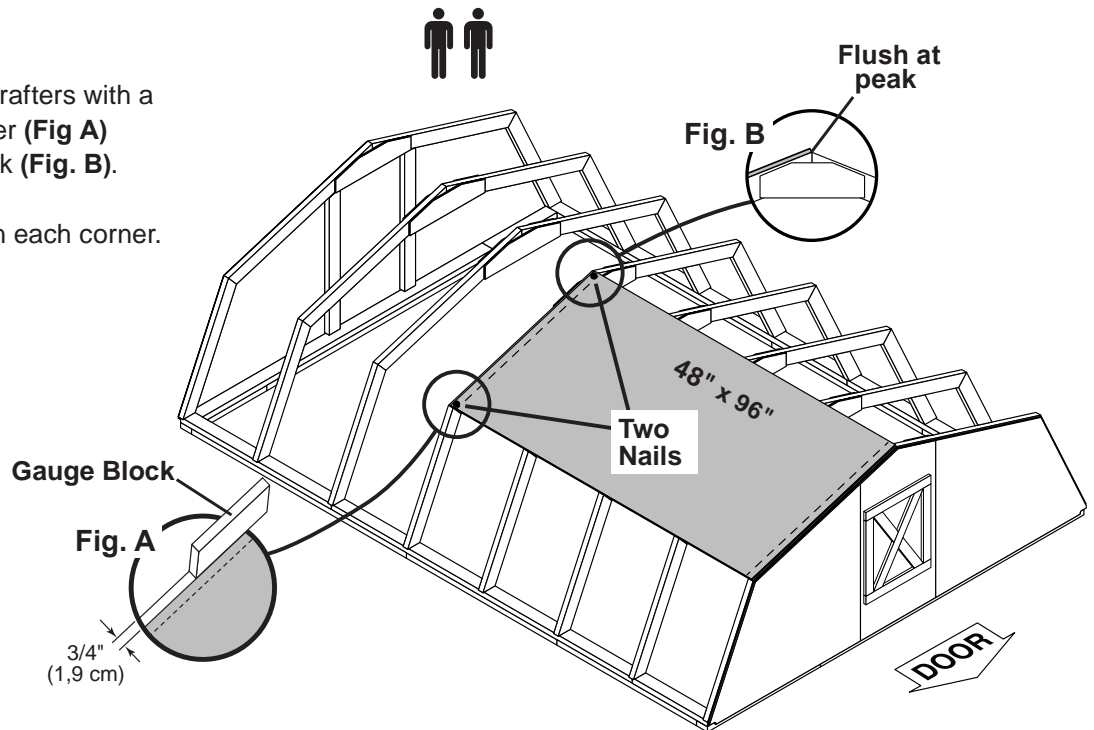
 **Roof panels may cause serious injury until securely fastened.**
Note: Install all roof panels with the rough side up (painted grid lines).

✓ **BEGIN**

1

Place the **48" x 96"** panel on rafters with a 3/4" measurement on the rafter (**Fig. A**) and the panel flush at the peak (**Fig. B**).

Secure panel with (1) 2" nail in each corner.

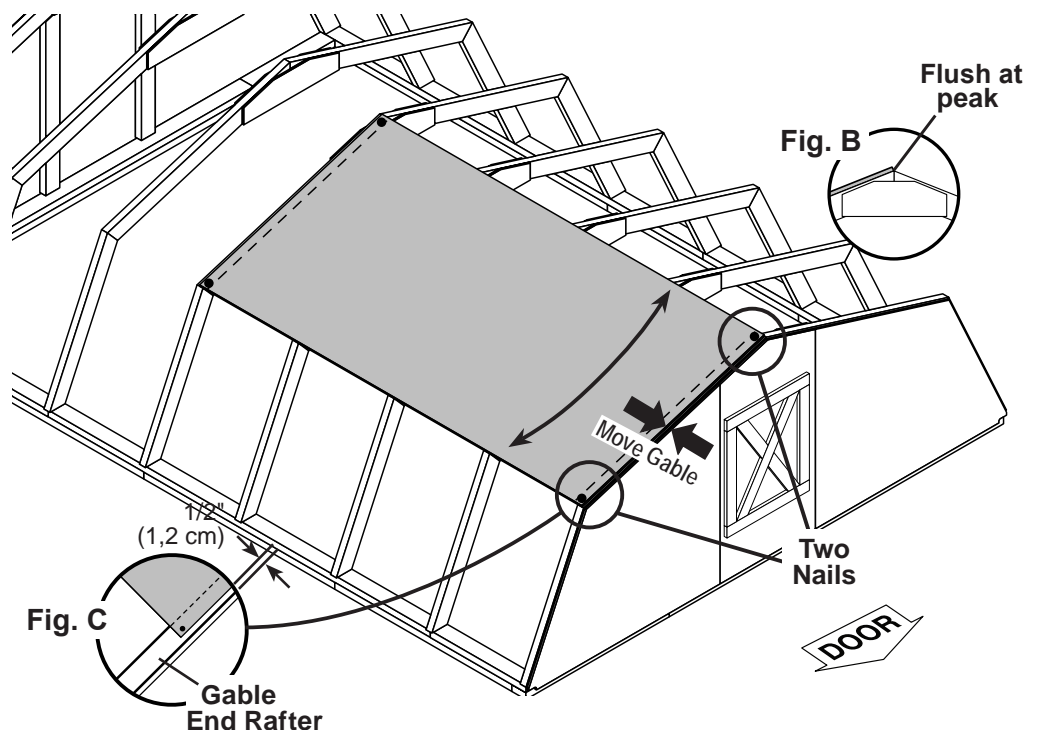


2

Move to the opposite end. Using the long edge of the panel as a lever, move the panel side-to-side until the top corner is flush to the peak (**Fig. B**).

Move gable end rafter edge until it is 1/2" from the **48" x 47-7/8"** roof panel (**Fig. C**).

Secure panel with (1) 2" nail in each corner.



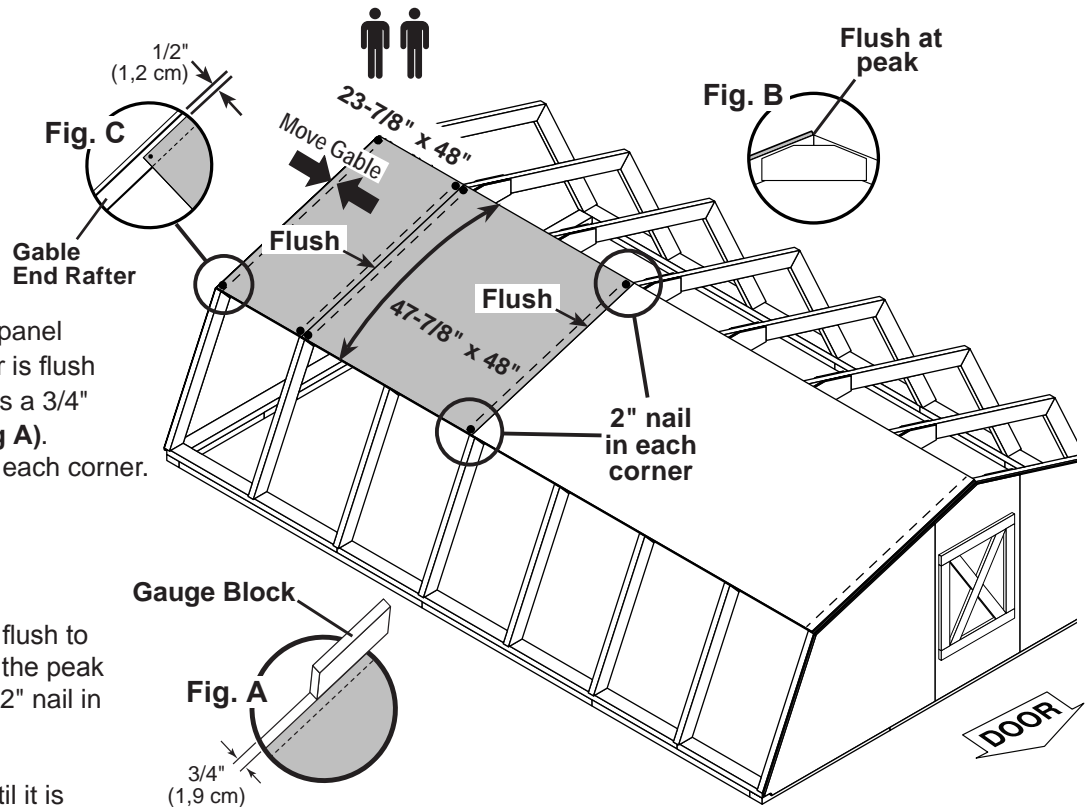
10' x 14' ROOF PANELS

PARTS REQUIRED:



3
Install 47-7/8" x 48" roof panel flush to the installed panel and flush at the peak (**Fig. B**). Secure panel with (1) 2" nail in each corner.

Move to the opposite end. Using the unattached end of the panel as a lever, move the panel side-to-side until the top corner is flush to the peak (**Fig. B**) and there is a 3/4" measurement on the rafter (**Fig A**). Secure panel with (1) 2" nail in each corner.

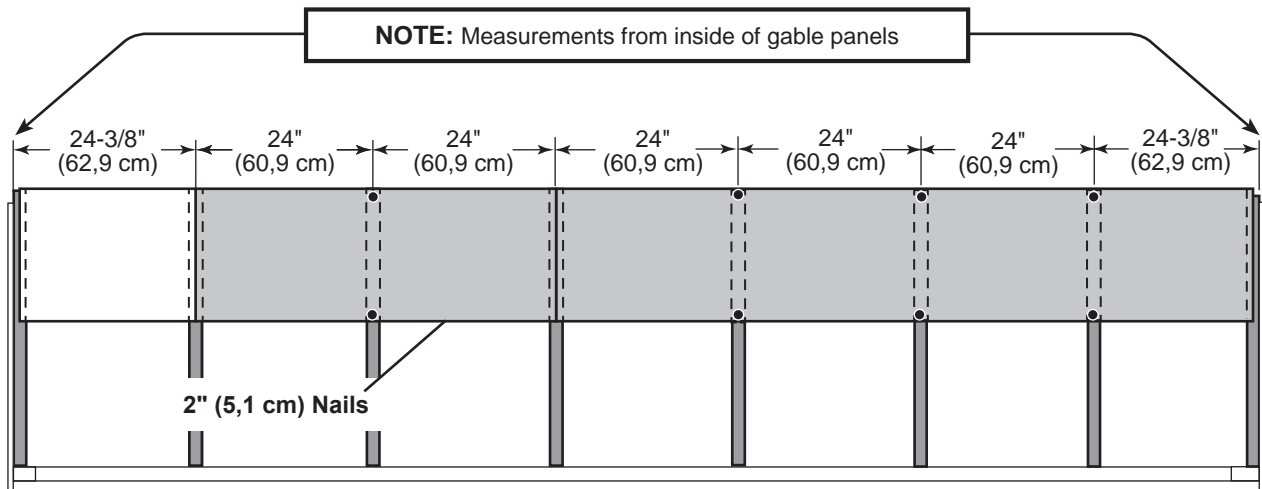


4
Install 23-7/8" x 48" roof panel flush to the installed panel and flush at the peak (**Fig. B**). Secure panel with (1) 2" nail in each corner.

Move gable end rafter edge until it is 1/2" from the 23-7/8" x 48" roof panel (**Fig. C**). Finish securing panel with (1) 2" nail in each corner.

5
Maintain spacing between the center of the rafters at the lower edge of the panels (**Fig. D**). Secure panels with (1) 2" nail into each rafter, as shown. Move to the top of the panel and keep spacing between the center of the rafters. Secure panels with (1) 2" nail into each rafter.

Fig. D

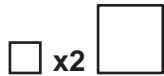


10' x 14' ROOF PANELS

PARTS REQUIRED:



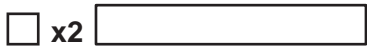
x2
23-7/8" x 96"
(60,6 x 243,8 cm)



x2
23-7/8" x 24"
(60,6 x 61 cm)



x2
23-7/8" x 48"
(60,6 x 121,9 cm)



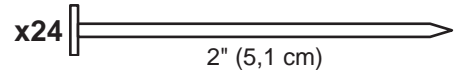
x2
11-7/8" x 96"
(30,2 cm x 243,8 cm)



x2
11-7/8" x 24"
(30,2 x 61 cm)



x2
11-7/8" x 48"
(30,2 x 121,9 cm)

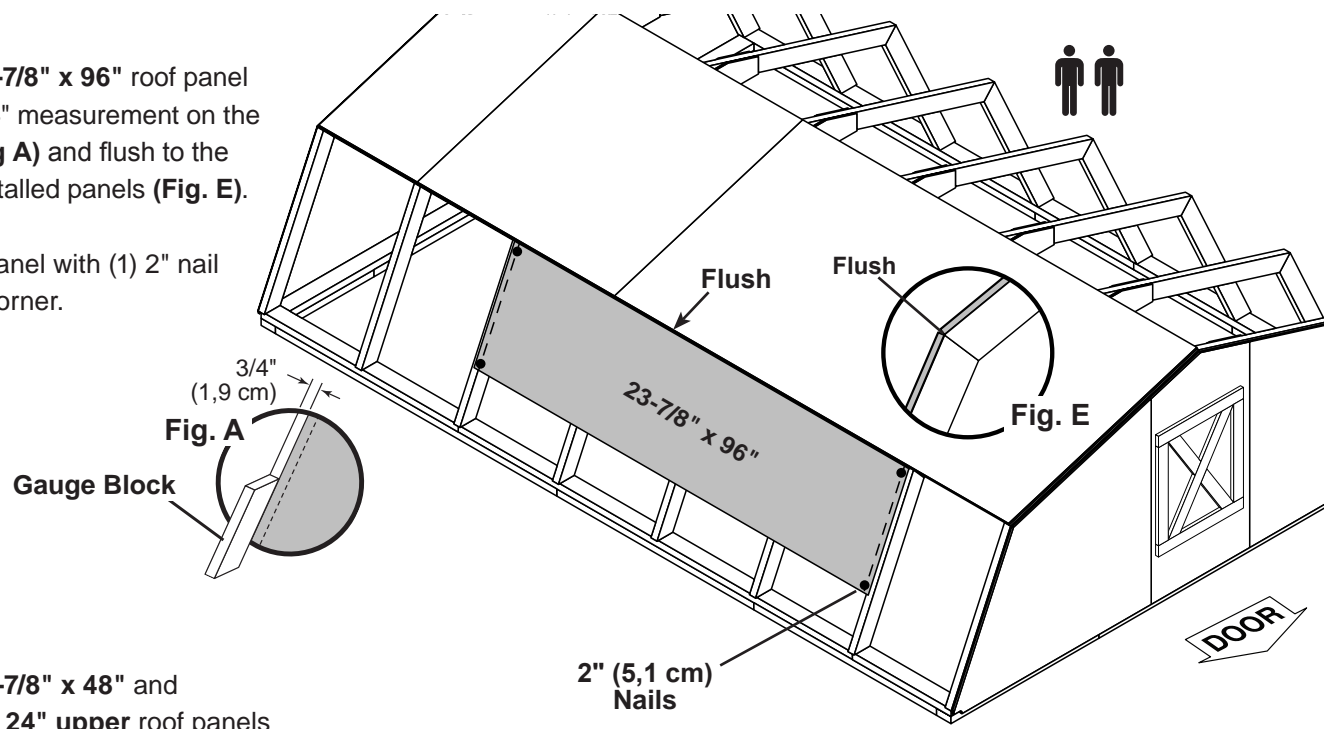


3/4" GAUGE BLOCK



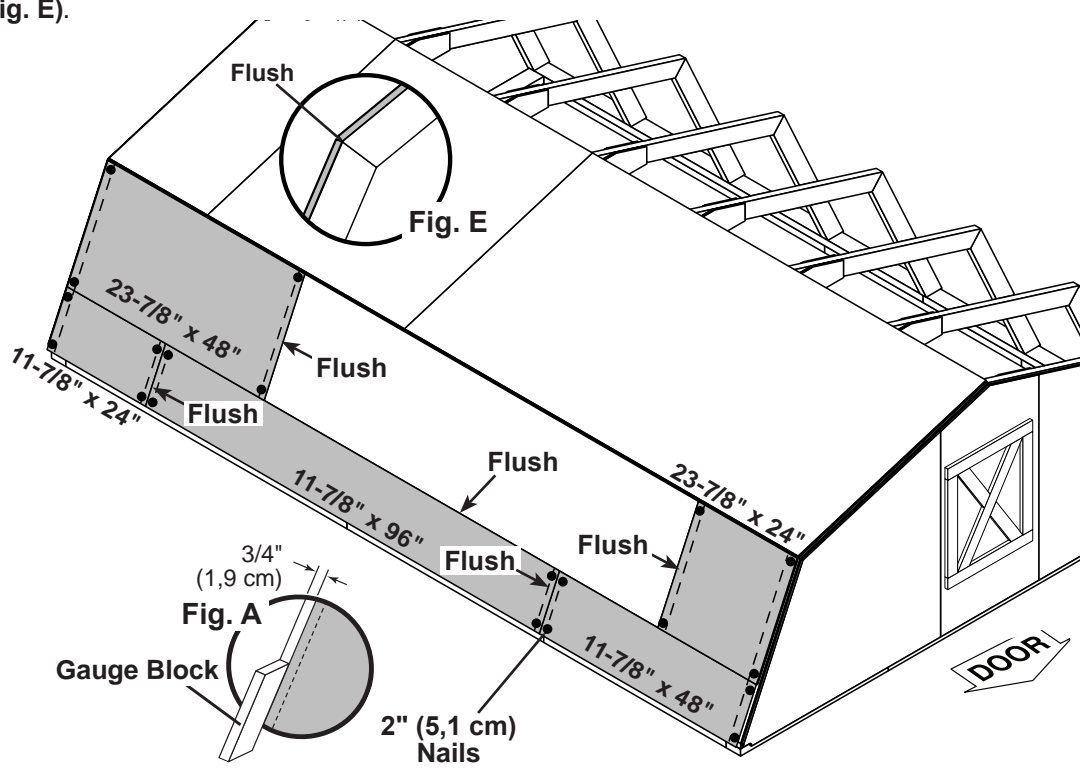
6
Install **23-7/8" x 96"** roof panel with a 3/4" measurement on the rafter (**Fig A**) and flush to the upper installed panels (**Fig. E**).

Secure panel with (1) 2" nail in each corner.



7
Install **23-7/8" x 48"** and **23-7/8" x 24"** upper roof panels flush to the installed panels (**Fig. E**).

Secure panels with (1) 2" nail in each corner.

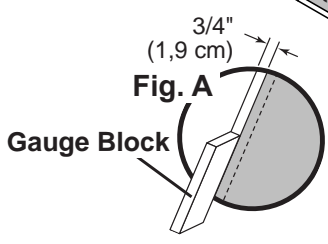


8
Install **11-7/8" x 96"** panel with a 3/4" measurement on the rafter (**Fig A**) and flush to the installed panels.

Secure panels with (1) 2" nail in each corner.

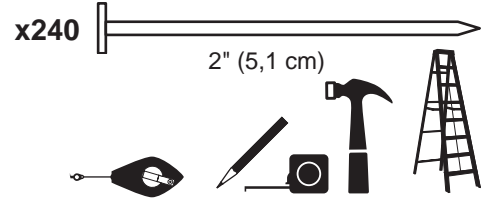
9
Install **11-7/8" x 48"** and **11-7/8" x 24"** roof panels flush to the installed panels.

Secure panels with (1) 2" nail in each corner.

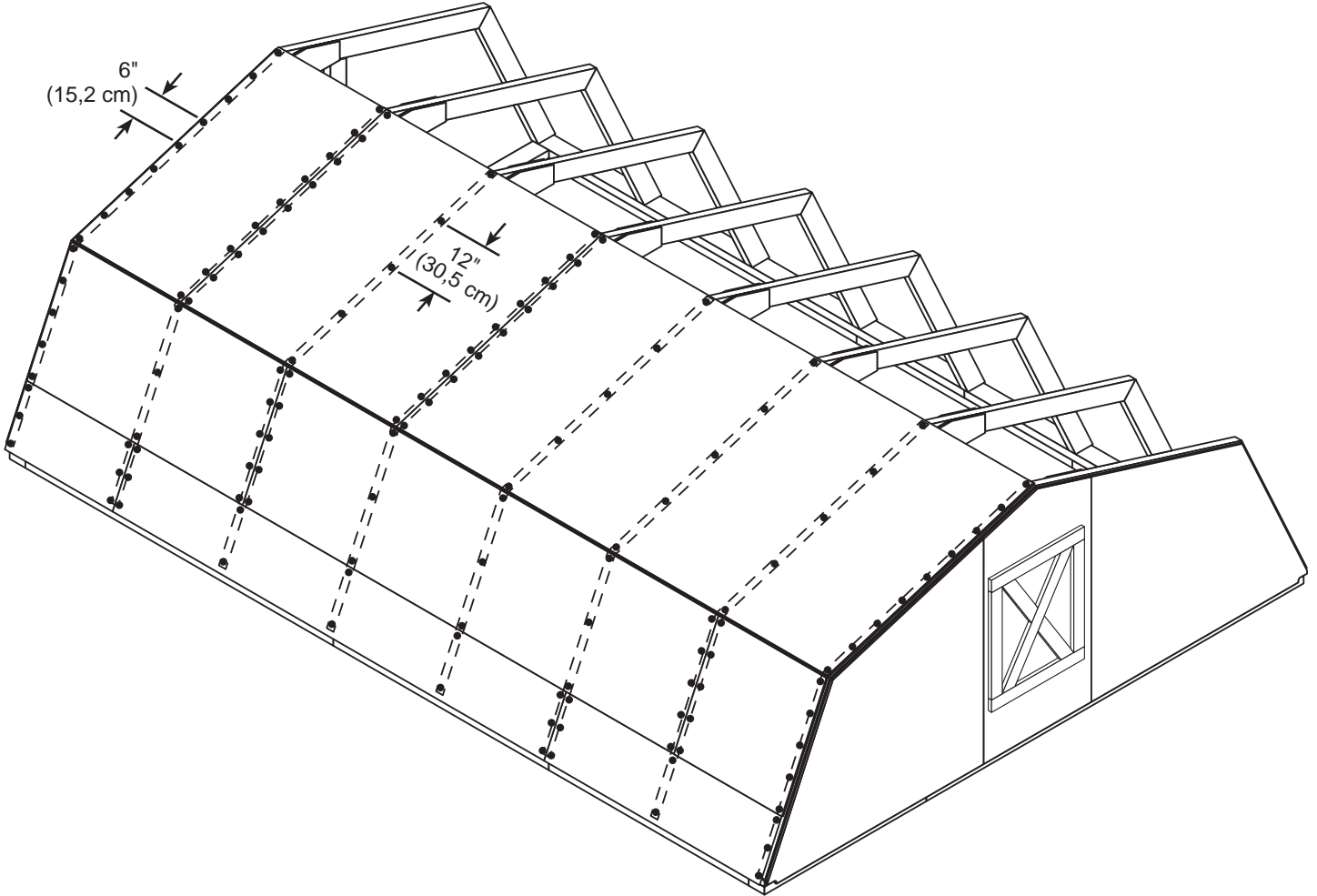


10' x 14 ROOF PANELS

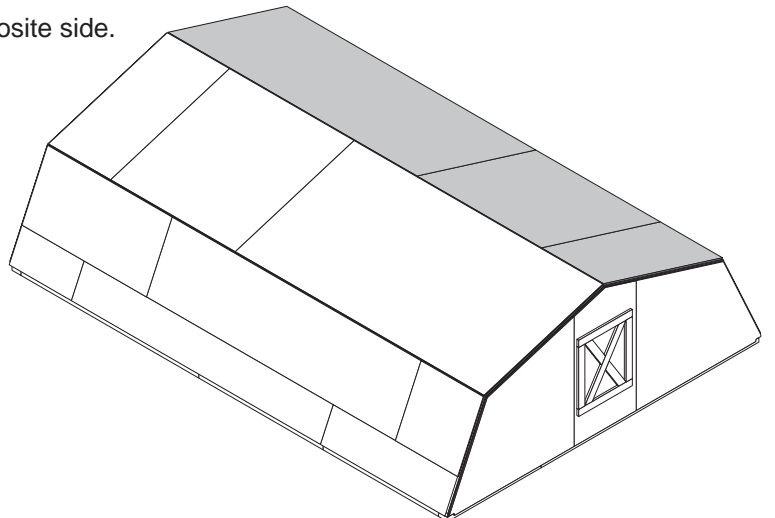
PARTS REQUIRED:



- 10** Secure all roof panels with 2" nails spaced 6" apart and 12" apart inside panels.



Repeat all steps to install roof panels on the opposite side.



FINISH

Your roof panels are now installed.

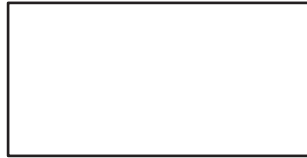
10' x 18' ROOF PANELS

PARTS REQUIRED:

GAA

3/4" GAUGE
BLOCK

x1



48 x 96"
(121,9 x 243,8 cm)

x4 2" (5,1 cm)



Roof panels may cause serious injury until securely fastened.

Note: Install all roof panels with the rough side up (painted grid lines).

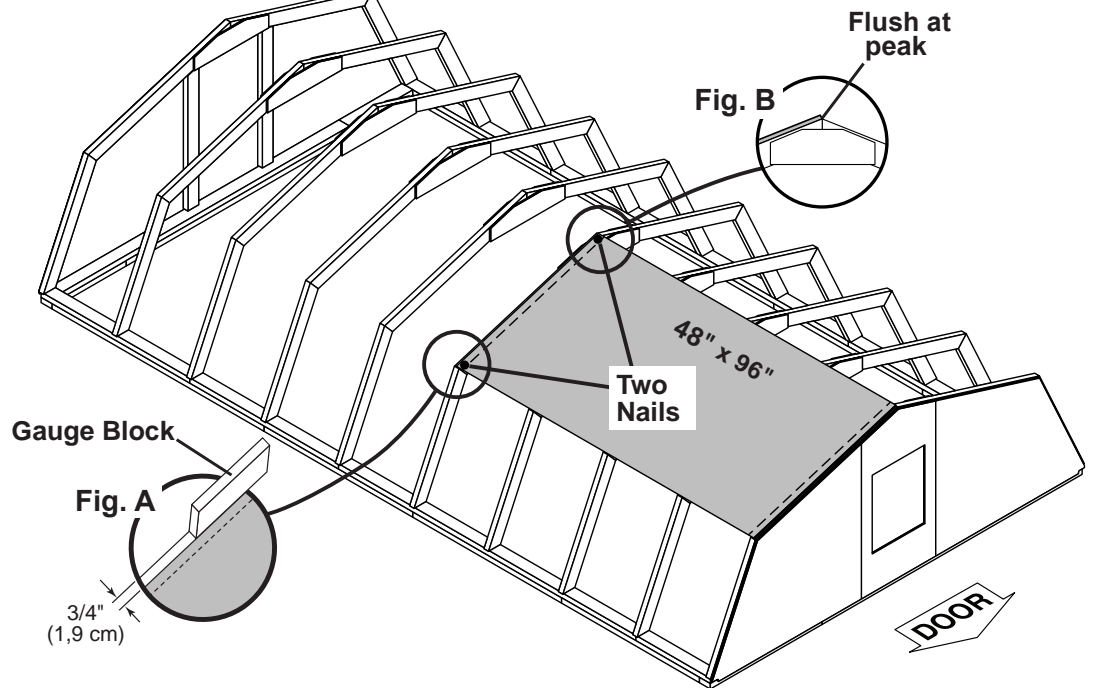


✓ BEGIN

1

Place the 48" x 96" panel on rafters with a 3/4" measurement on the rafter (Fig A) and the panel flush at the peak (Fig B).

Secure panel with (1) 2" nail in each corner.

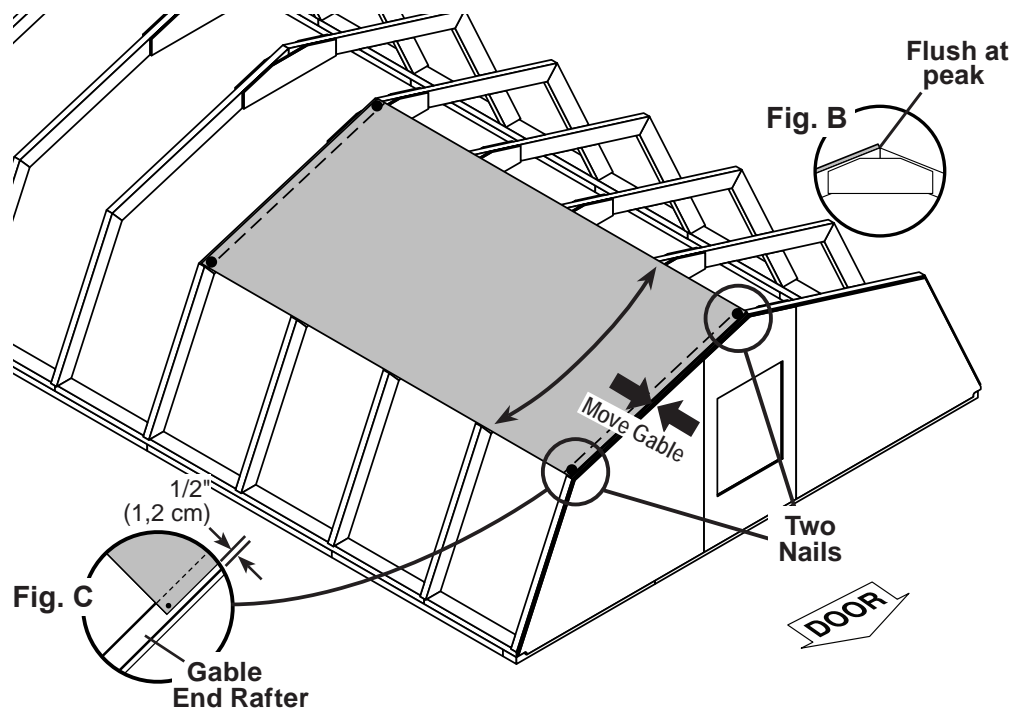


2

Move to the opposite end. Using the long edge of the panel as a lever, move the panel side-to-side until the top corner is flush to the peak (Fig. B).

Move gable end rafter edge until it is 1/2" from the 48" x 47-7/8" roof panel (Fig. C).

Secure panel with (1) 2" nail in each corner.



10' x 14' ROOF PANELS


PARTS REQUIRED:

GAA 3/4" GAUGE BLOCK

x1
23-7/8" x 48"
(121,6 x 121,9 cm)

x2
47-7/8" x 48"
(121,6 x 121,9 cm)

x22
2" (5,1 cm)

3  Install 23-7/8" x 48" roof panel flush to the installed panel and flush at the peak (**Fig. B**). Secure panel with (1) 2" nail in each corner (*see: Fig. A*).

4 Install 47-7/8" x 48" roof panel flush to the installed panel and flush at the peak (**Fig. B**). Secure panel with (1) 2" nail in each corner. Move to the opposite end. Using the unattached end of the panel as a lever, move the panel side-to-side until the top corner is flush to the peak (**Fig. B**) and there is a 3/4" measurement on the rafter (**Fig. A**). Secure panel with (1) 2" nail in each corner.

5 Install 2nd 47-7/8" x 48" roof panel flush to the installed panel and flush at the peak (**Fig. B**). Secure panel with (1) 2" nail in each corner.

Move gable end rafter edge until it is 1/2" from the 23-7/8" x 48" roof panel (**Fig. C**).

Finish securing panel with (1) 2" nail in each corner.

6 Maintain spacing between the center of the rafters at the lower edge of the panels (**Fig. D**). Secure panels with (1) 2" nail into each rafter, as shown. Move to the top of the panel and keep spacing between the center of the rafters. Secure panels with (1) 2" nail into each rafter.

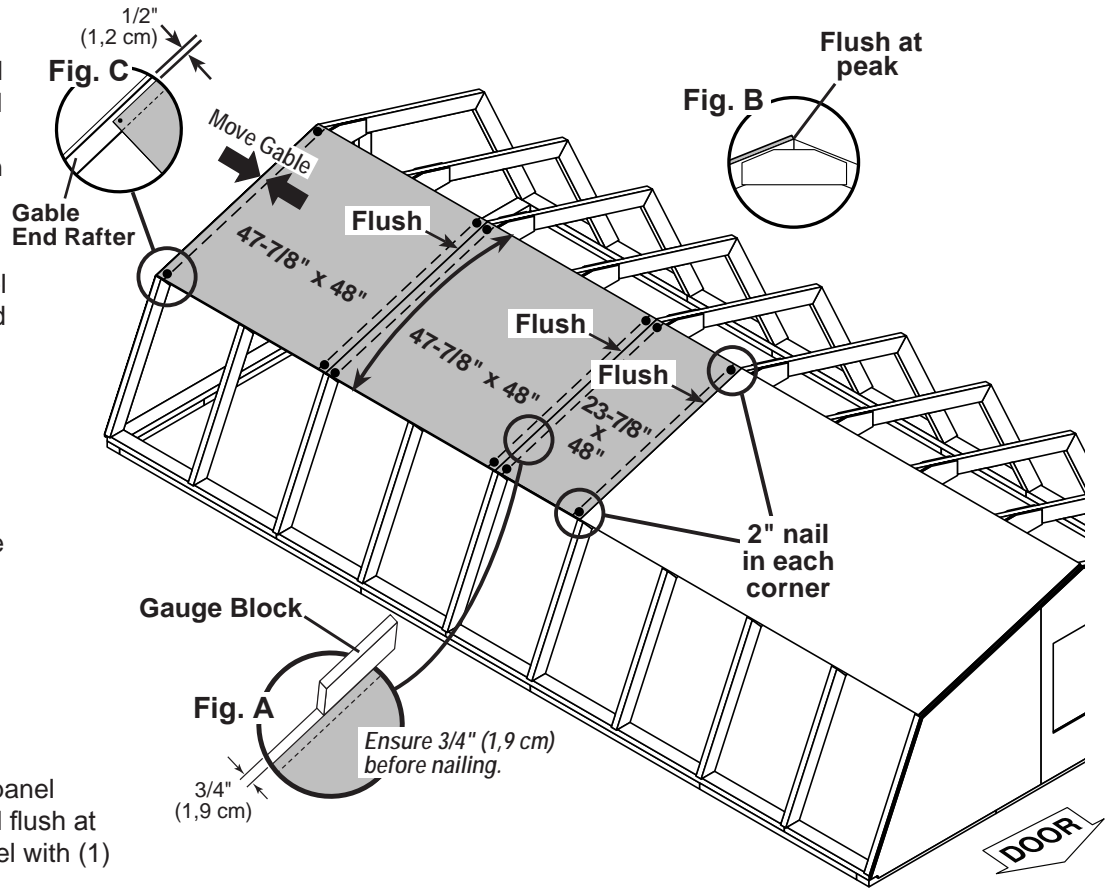
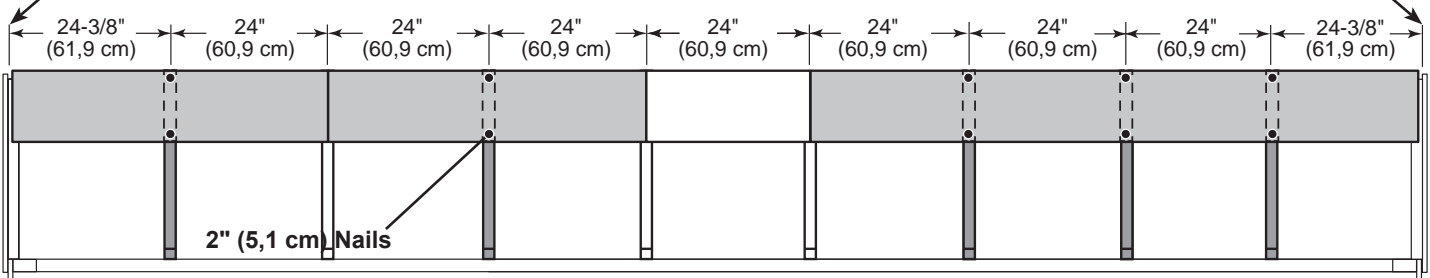


Fig. D

NOTE: Measurements from inside of gable panels



10' x 14' ROOF PANELS

PARTS REQUIRED:



x2
23-7/8" x 96"
(60,6 x 243,8 cm)



x2
23-7/8" x 24"
(60,6 x 61 cm)



x2
23-7/8" x 48"
(60,6 x 121,9 cm)



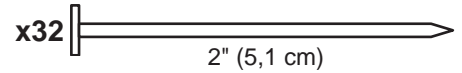
x2
11-7/8" x 96"
(30,2 cm x 243,8 cm)



x2
11-7/8" x 24"
(30,2 x 61 cm)



x2
11-7/8" x 48"
(30,2 x 121,9 cm)



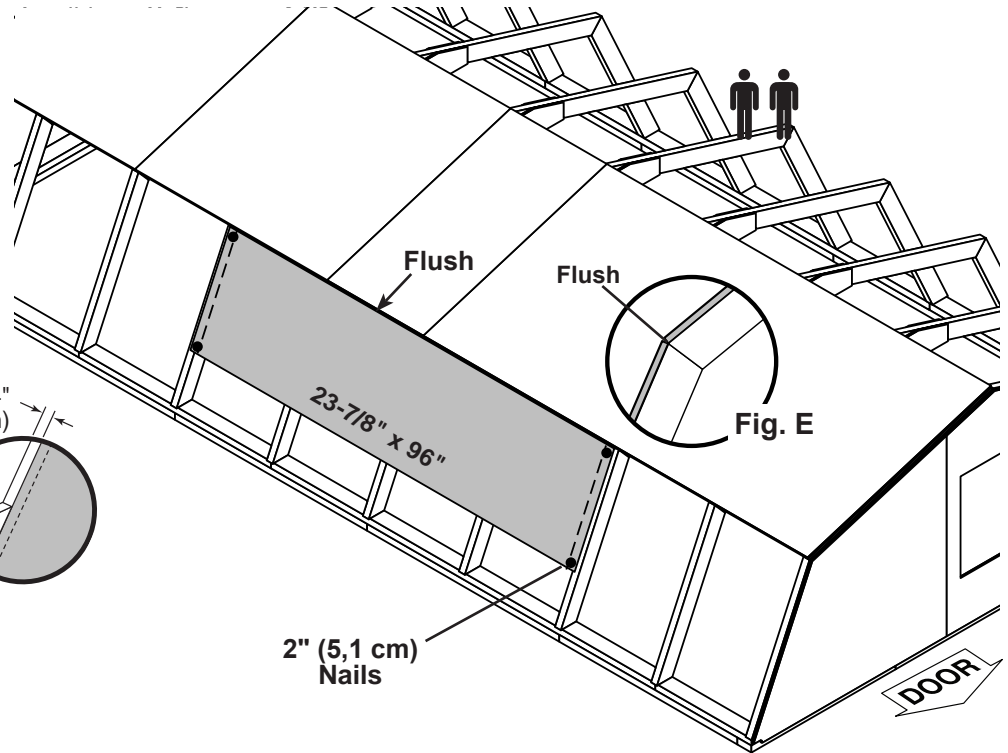
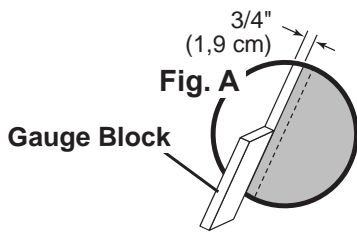
3/4" GAUGE BLOCK



6

Install **23-7/8" x 96"** roof panel with a 3/4" measurement on the rafter (**Fig. A**) and flush to the upper installed panels (**Fig. E**).

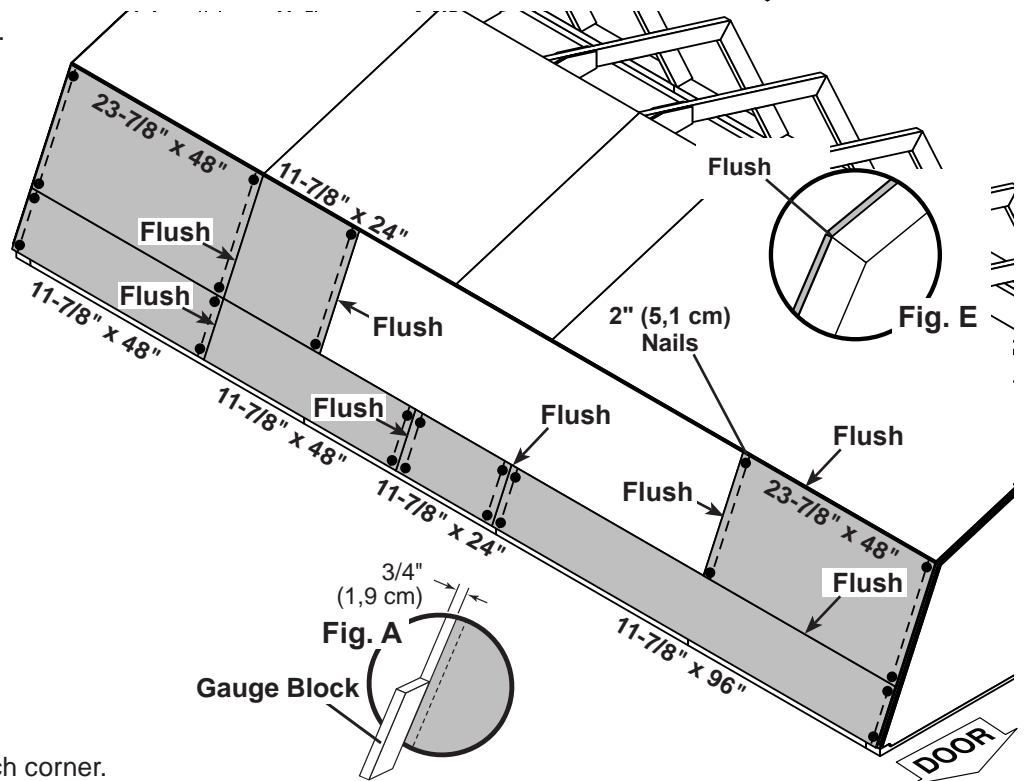
Secure panel with (1) 2" nail in each corner.



7

Install (2) **23-7/8" x 48"** and (1) **11-7/8" x 24"** upper roof panels flush to the installed panels (**Fig. E**).

Secure panels with (1) 2" nail in each corner.



8

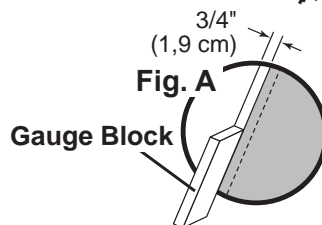
Install **11-7/8" x 96"** panel with a 3/4" measurement on the rafter (**Fig. A**) and flush to the installed panels.

Secure panels with (1) 2" nail in each corner.

9

Install **11-7/8" x 96"**, **11-7/8" x 24"** and (2) **11-7/8" x 48"** roof panels flush to the installed panels.

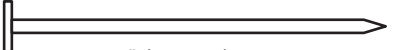
Secure panels with (1) 2" nail in each corner.



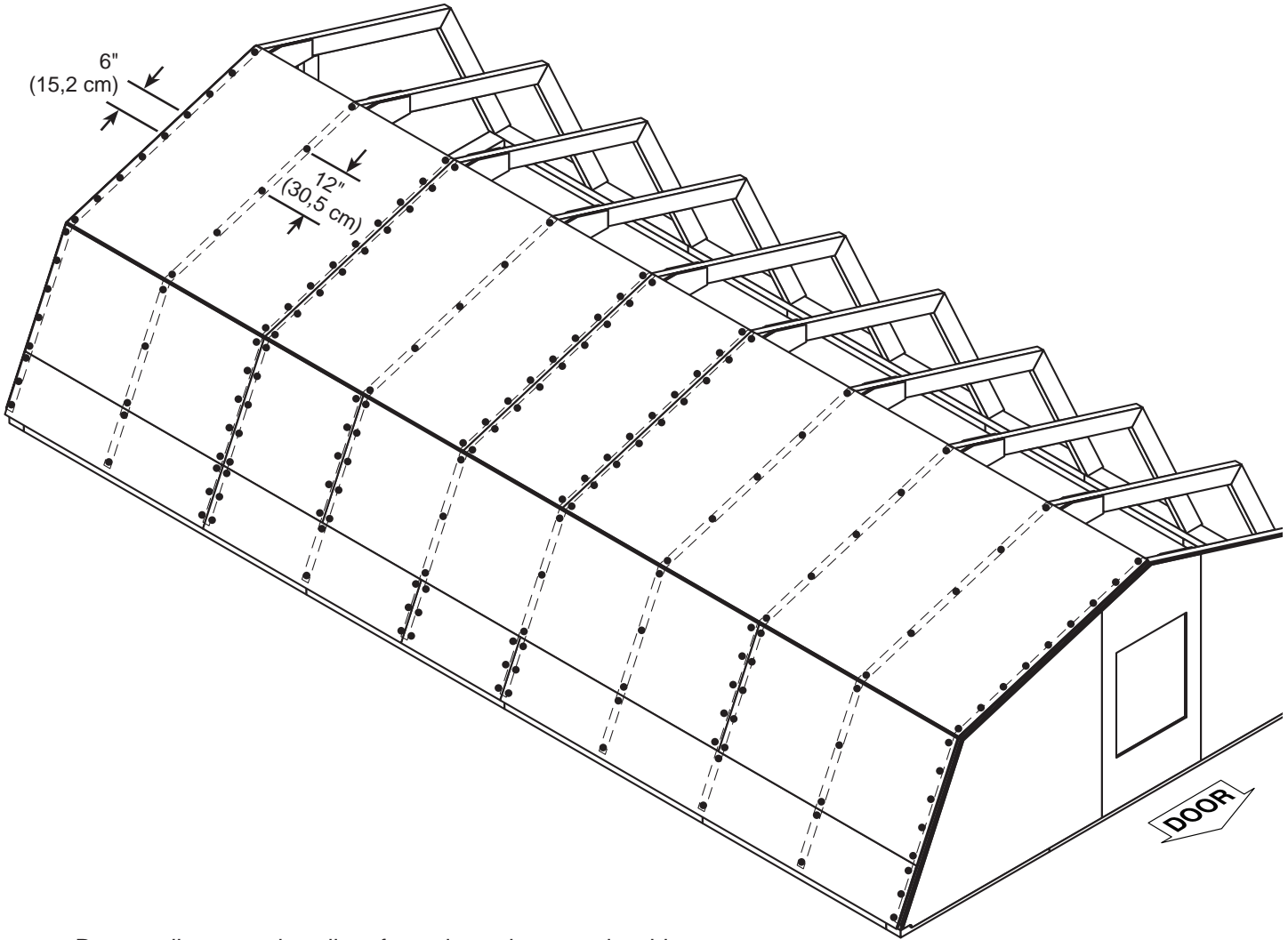
10' x 14' ROOF PANELS

PARTS REQUIRED:



x314 
2" (5,1 cm)

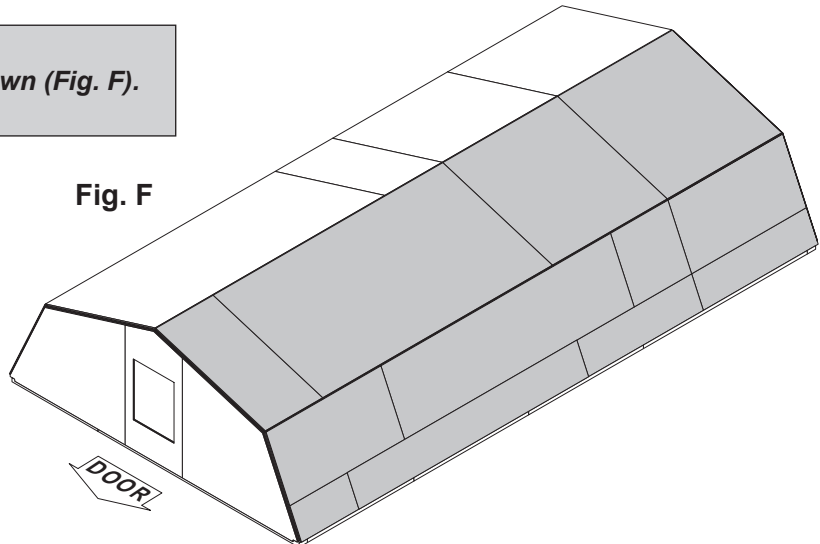
- 10** Secure all roof panels with 2" nails spaced 6" apart and 12" apart inside panels.



Repeat all steps to install roof panels on the opposite side.

We suggest installing the 2nd set of panels in the configuration shown (Fig. F). Install the 96" panels first.

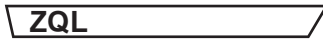
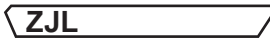

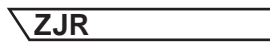
Fig. F

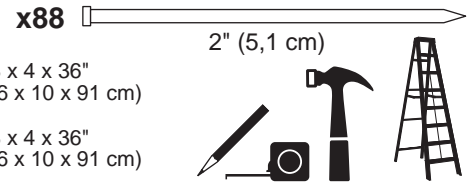


Your roof panels are now installed.

GABLE TRIM

PARTS REQUIRED:

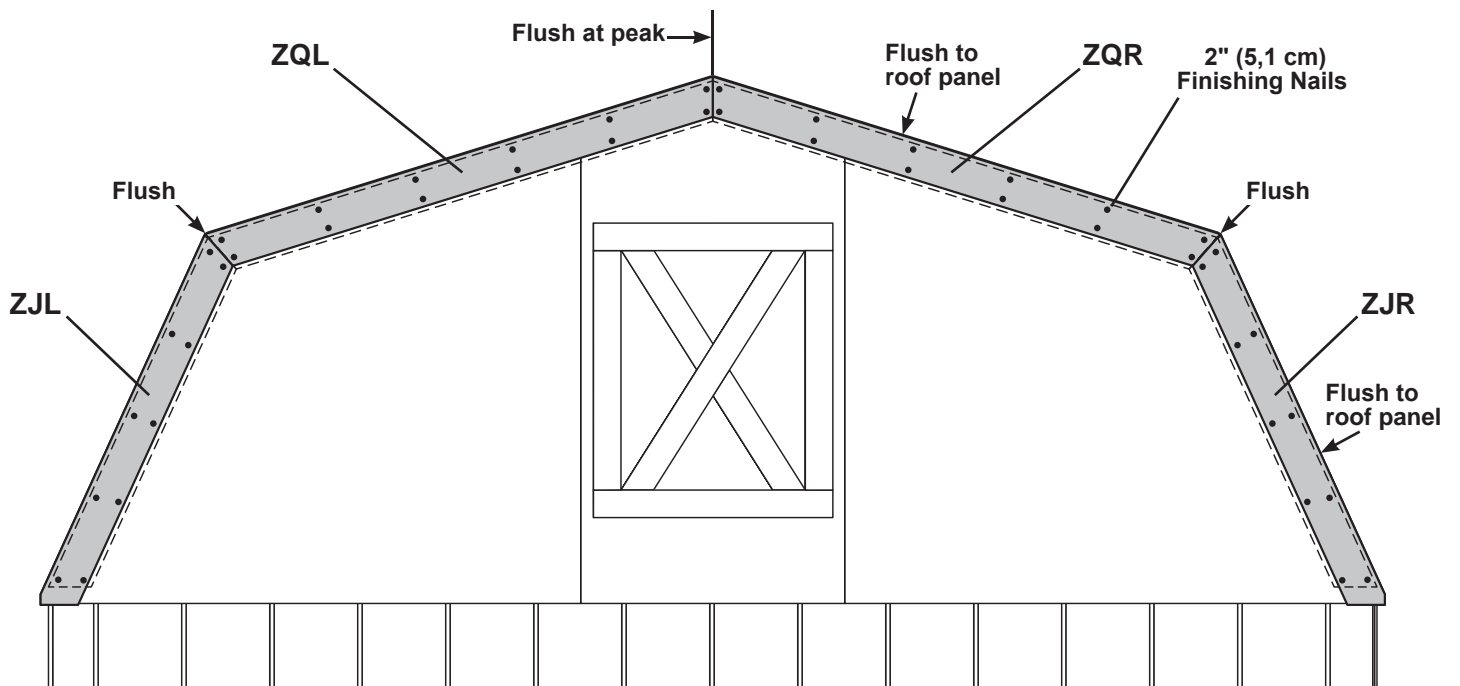
x2		5/8 x 4 x 48-5/16 (1,6 x 10 x 123 cm)	x2		5/8 x 4 x 36" (1,6 x 10 x 91 cm)
x2		5/8 x 4 x 48-5/16 (1,6 x 10 x 123 cm)	x2		5/8 x 4 x 36" (1,6 x 10 x 91 cm)



✓ BEGIN

- 1 Install upper gable trim **ZQR** and **ZQL** flush to top of roof panels and flush at peak.
Secure trim with 2" finish nails evenly spaced, as shown.
- 2 Install lower gable trim **ZJR** and **ZJL** flush to top of roof panels and flush to installed trim.
Secure trim with 2" finish nails evenly spaced, as shown.


Repeat steps to install trim to the opposite gable.

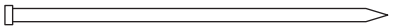


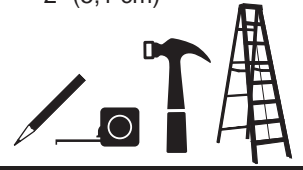
Your gable trim is now installed.

CORNER TRIM

PARTS REQUIRED:

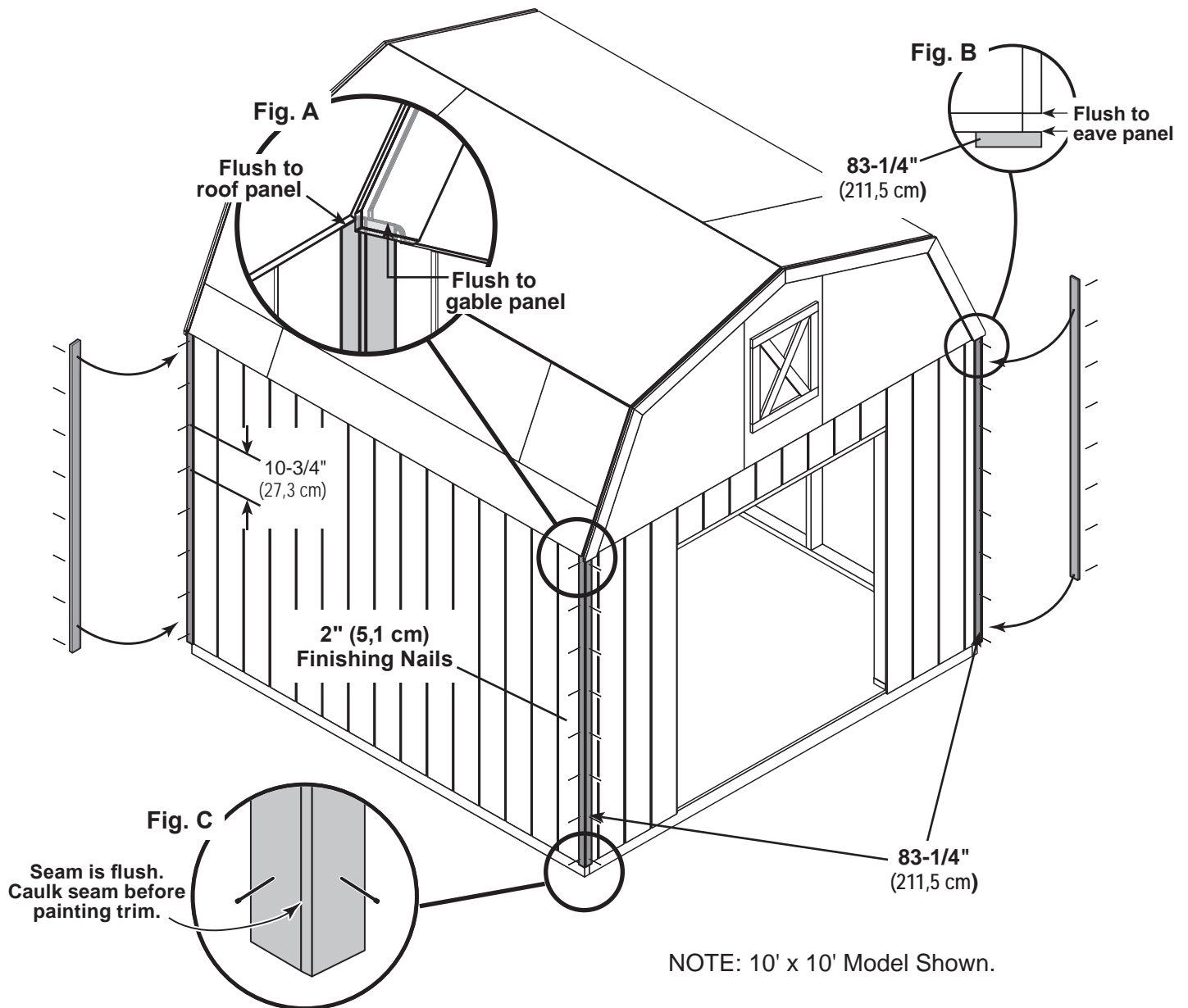
x8 
3/8" x 1-3/4" x 83-1/4" (1 x 4,5 x 211,5 cm)

x64  2" (5,1 cm)



✓ BEGIN

- 1 Install gable end **83-1/4"** corner trim under gable panel, (**Fig. A**) and flush to eave wall panel (**Fig. B**). Secure with 2" finishing nails spaced evenly.
- 2 Install eave side **83-1/4"** corner trim flush to eave soffit and flush along seam of installed corner trim (**Fig. C**). Secure with 2" finishing nails spaced evenly.



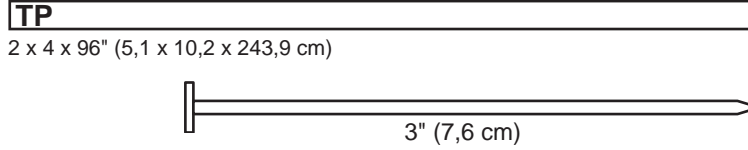
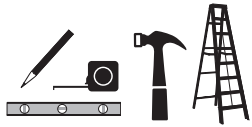
Repeat STEPS 1 - 2 for each corner of shed.



Your corner trim is now installed.

COLLAR TIE INSTALLATION

PARTS REQUIRED:



10x10'	10x14'	10x18'
x2	x3	x4
x12	x18	x24

✓ BEGIN

- 1 Install collar tie to the rafter with (3) 3" nails at each end (Fig. A).

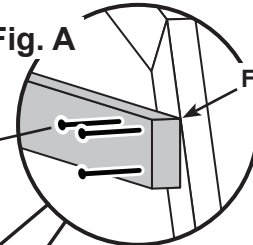


Starting at the wall with the door, install first collar tie **TP** on the 2nd rafter from the gable wall and then on **every other** rafter, as shown.

Fig. A

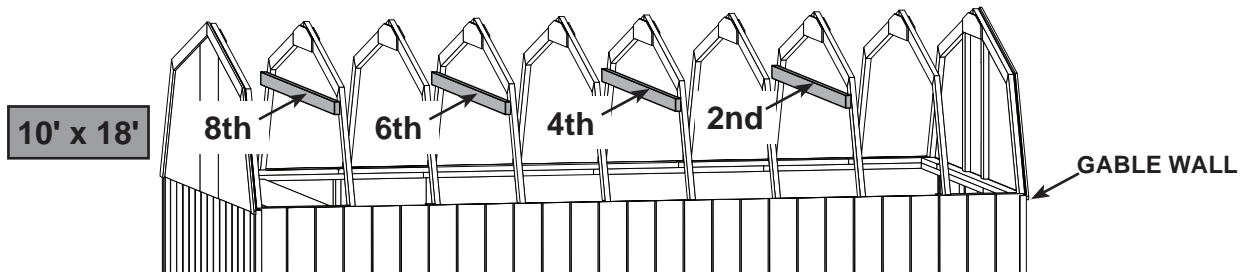
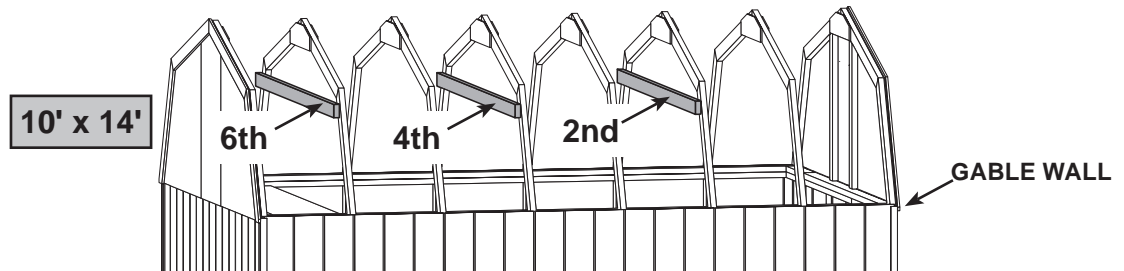
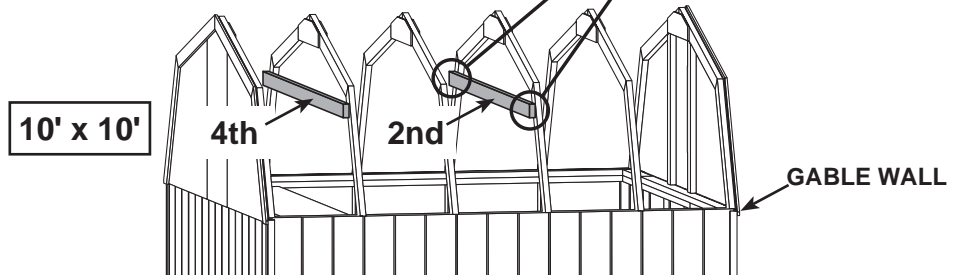
3" (7,6 cm) Nails

Flush to roof panel.



HINT:

For best appearance, install collar ties on back side of rafter.

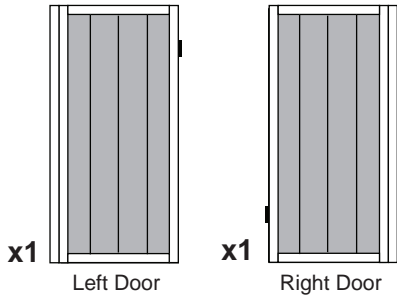


FINISH

Your collar tie(s) are now installed.

DOORS

PARTS REQUIRED:

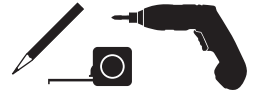


x1 **GAA**
1 x 3 x 5" (2,5 x 7,6 x 12,7 cm)

x1 **OO**
69" (175,3 cm) Door Stiffener

x4 3" (7,6 cm)

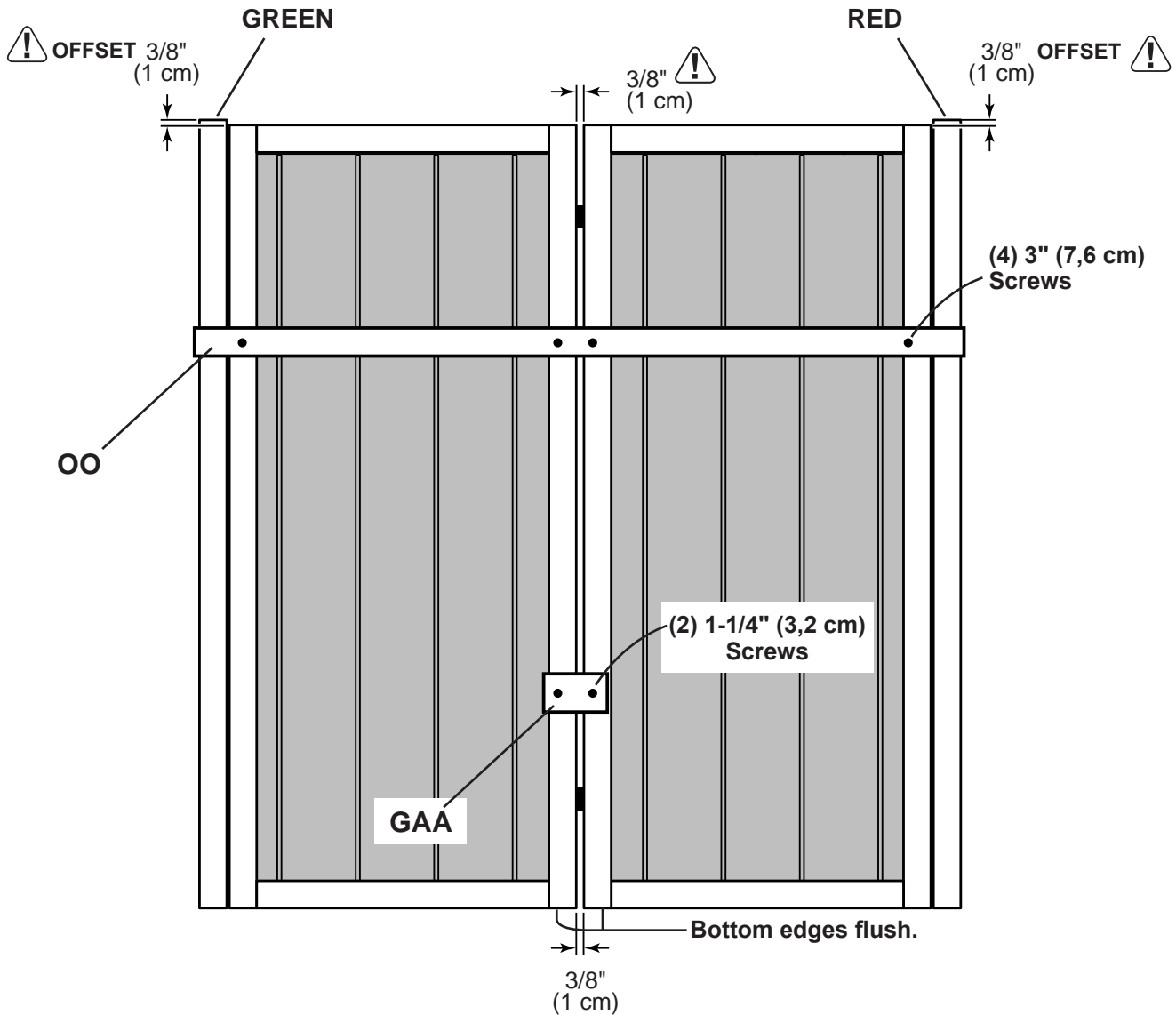
x2 1-1/4" (3,2 cm)



✓ BEGIN

- 1 Place doors on flat surface. **3/8" offset is to top.**
Look for red (right) and green (left) on hinge board.


Attach temporary supports **OO** and **GAA** as shown.

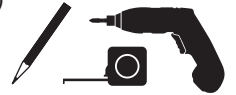


DOORS

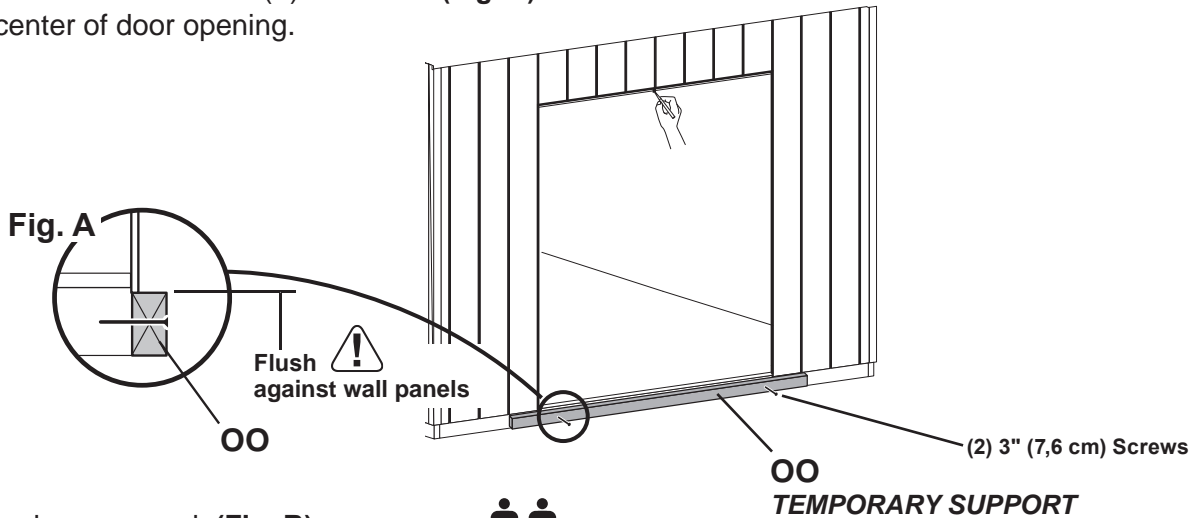
PARTS REQUIRED:


x1 **OO** *TEMPORARY SUPPORT*
69" (175,3 cm) Door Stiffener

x12  3" (7,6 cm)

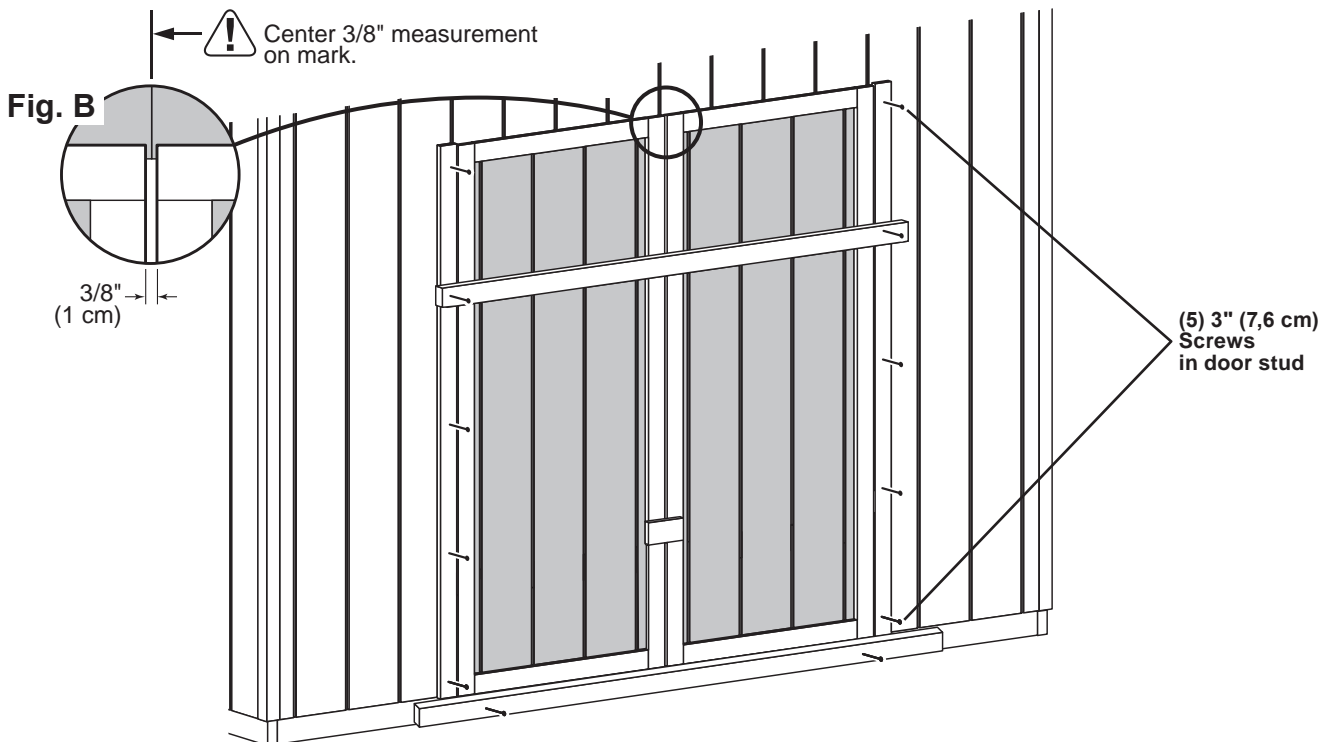


- 2 Install **OO** flush under panels.
Secure to floor frame with (2) 3" screws (**Fig. A**).
Mark center of door opening.



- 3 Center doors on mark (**Fig. B**). 

- 4 Screw hinge boards into wall supports with (10) 3" screws, as shown.
 **Make sure screws go into framing.**



Remove temporary supports and check to make sure doors open and close properly.



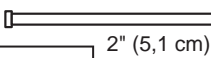
Your doors are now installed.

DOORS

PARTS REQUIRED:

x2 **AH**
19/32" x 2-1/2" x 26 5/8" (1,5 x 6,3 x 67,6 cm)

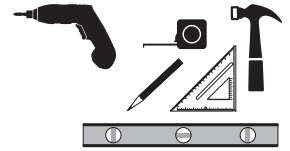
x1 **ZJ**
19/32" x 2-1/2" x 72" (1,5 x 7,6 x 182,9 cm)

x7  2" (5,1 cm)

x72  3/4" (1,9 cm)

x2 **MDR**
19/32" x 2-1/2" x 39-7/8" (1,5 x 6,3 x 101,3 cm)

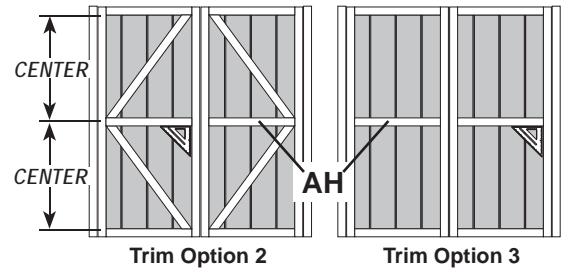
x2 **MDL**
19/32" x 2-1/2" x 39-7/8" (1,5 x 6,3 x 101,3 cm)



✓ **BEGIN**

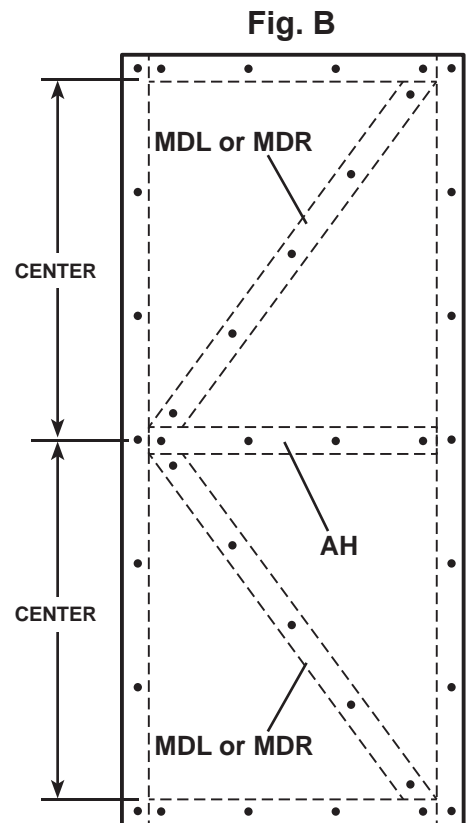
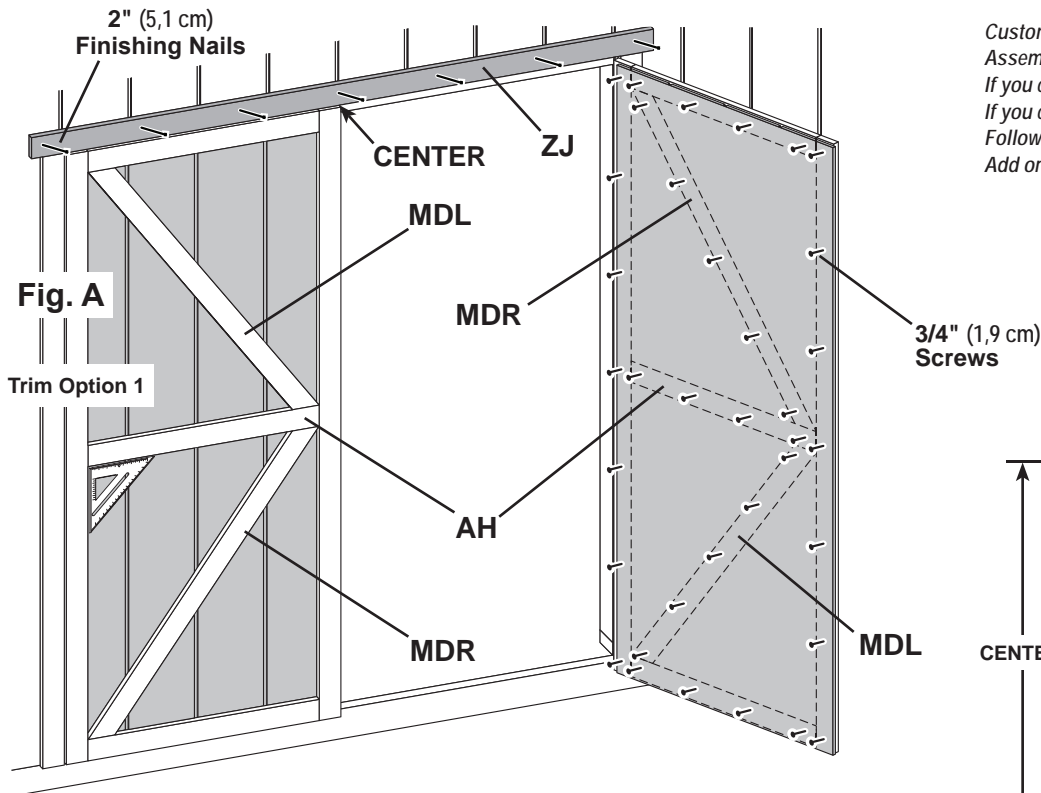
You have 3 options for door trim, see Fig. C.

Fig. C



Customize your door trim; use 1 of 3 options:
Assembly for Option 1 is shown in Fig. A.
If you choose Option 2, reverse MDL and MDR.
If you choose Option 3, center AH horizontally.
Follow steps 1, 2 and 3.
Add or subtract more screws as needed.

- 1 Arrange trim **AH**, **MDL** and **MDR** as shown.
Square **AH** before fastening.
Fasten trim to each door from inside with 3/4" screws (Fig. A, Fig B).
- 2 Center trim **ZJ** over doors and secure with (7) 2" finishing nails into framing, as shown.

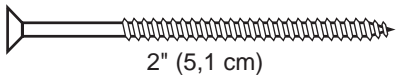


Your door trim is now installed.

DOOR STIFFENERS

PARTS REQUIRED:

x2 **OO**
69" (175,3 cm) Door Stiffener

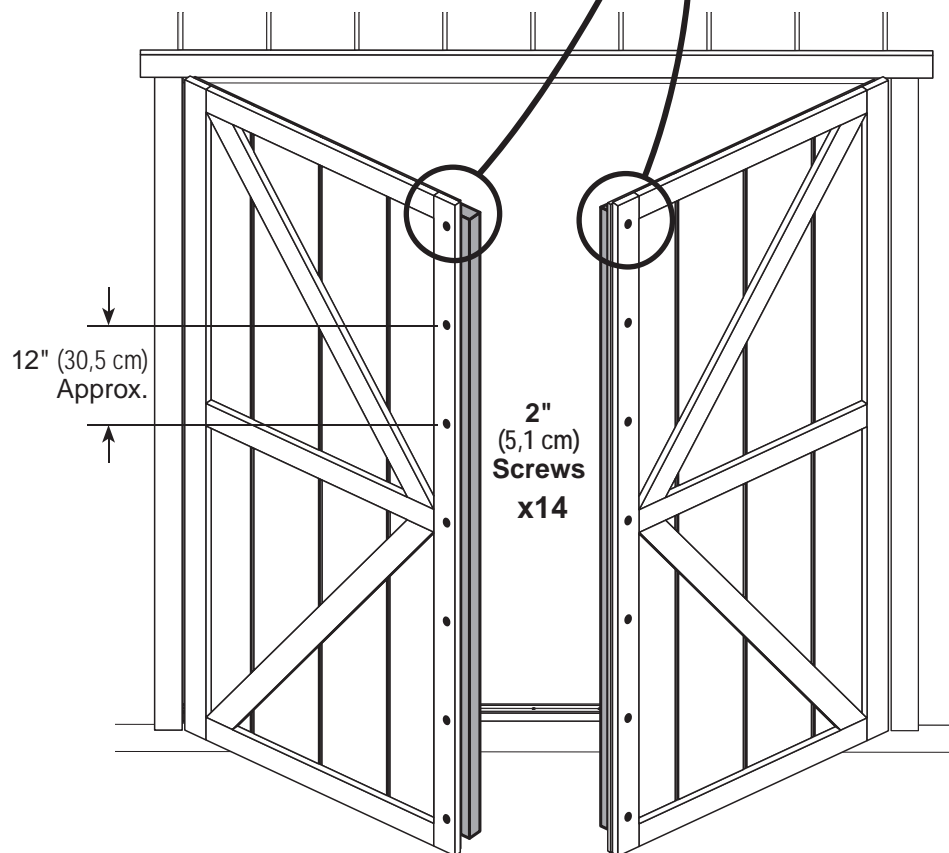
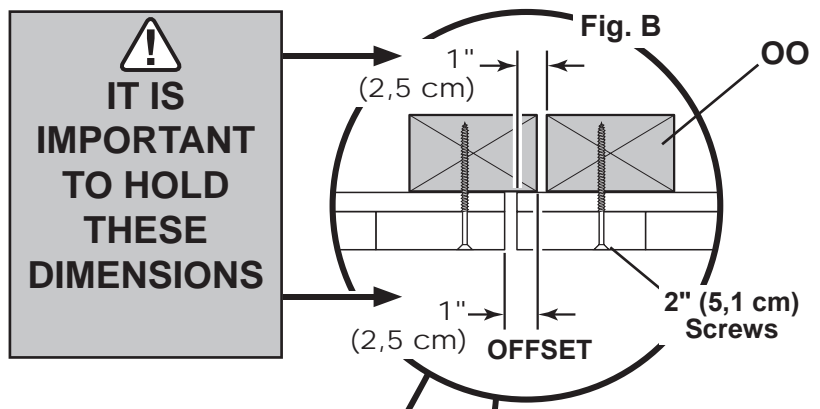
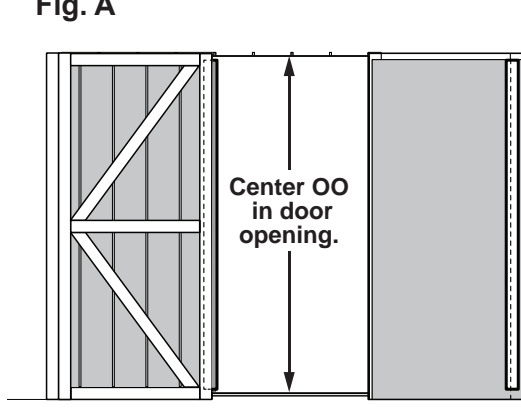
x14 
2" (5,1 cm)



✓ BEGIN

- 1** Center **OO** vertically on the left door in the doorway (**Fig. A**) overlapping 1" (2,5 cm) along the edge of door (**Fig. B**).
Secure with (7) 2" screws through outside trim into **OO**.
- 2** Center **OO** vertically on the right door in the door opening offset 1" (2,5 cm) from the edge of door (**Fig. B**).
Secure with (7) 2" screws through outside trim into **OO**.

Fig. A



Your door stiffeners are now installed.

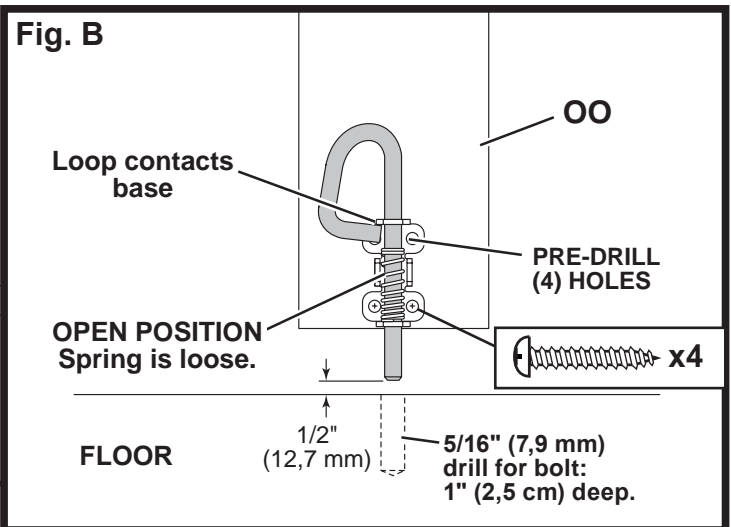
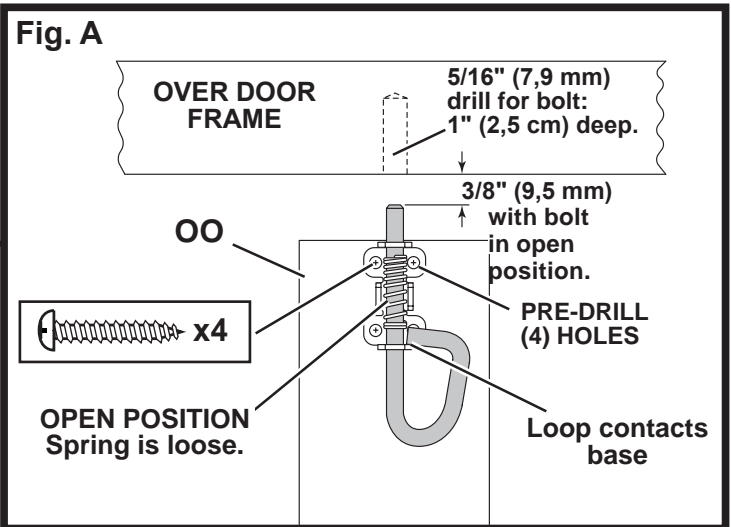
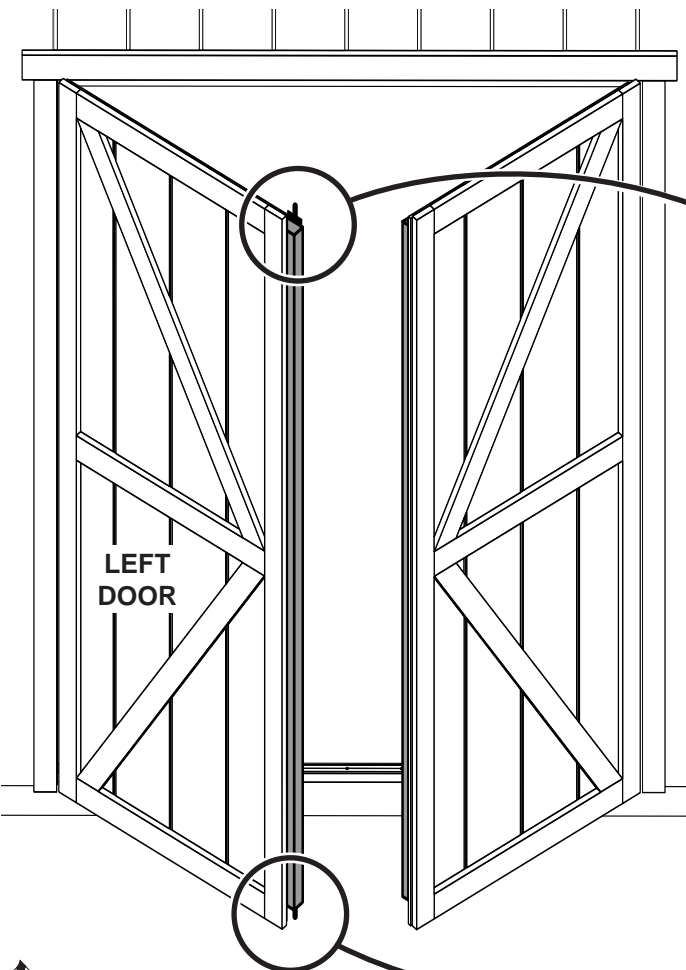
DOOR HARDWARE

PARTS REQUIRED:



✓ BEGIN

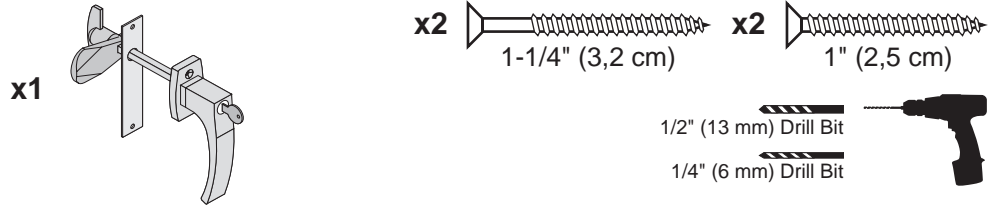
- 1 Place bolt on **OO** in open position with bolt end 3/8" (9,5 mm) down from frame. Bolt is open when loop is contacting base (**Fig A**).
- 2 Mark and pre-drill holes for screws. Install bolt with screws supplied.
Drill 5/16" (7,9 mm) hole deep enough for bolt to slide into.
- 3 Place bolt on **OO** in open position with bolt end 1/2" (12,7 mm) up from floor. Bolt is open when loop is connecting base (**Fig. B**).
- 4 Mark and pre-drill holes for screws. Install bolt with screws supplied.
Drill 5/16" (7,9 mm) hole deep enough for bolt to slide into.



Your spring bolts are now installed.

DOOR HARDWARE

PARTS REQUIRED:



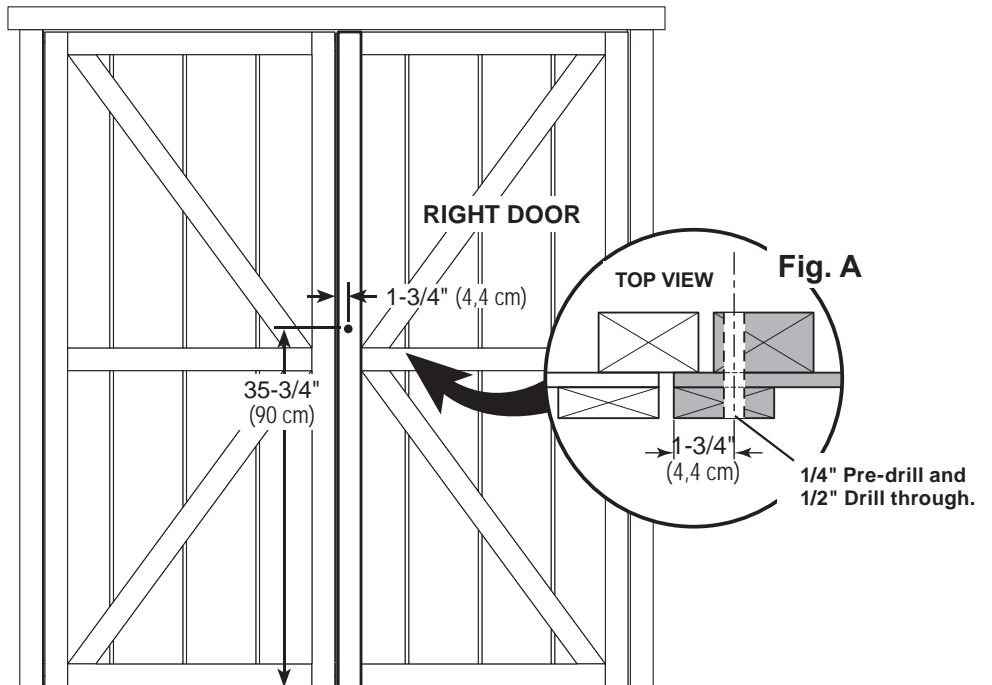
✓ BEGIN

- 1 Measure and mark location of hole on outside of right door as shown (Fig. A).
Pre-drill hole with 1/4" drill.

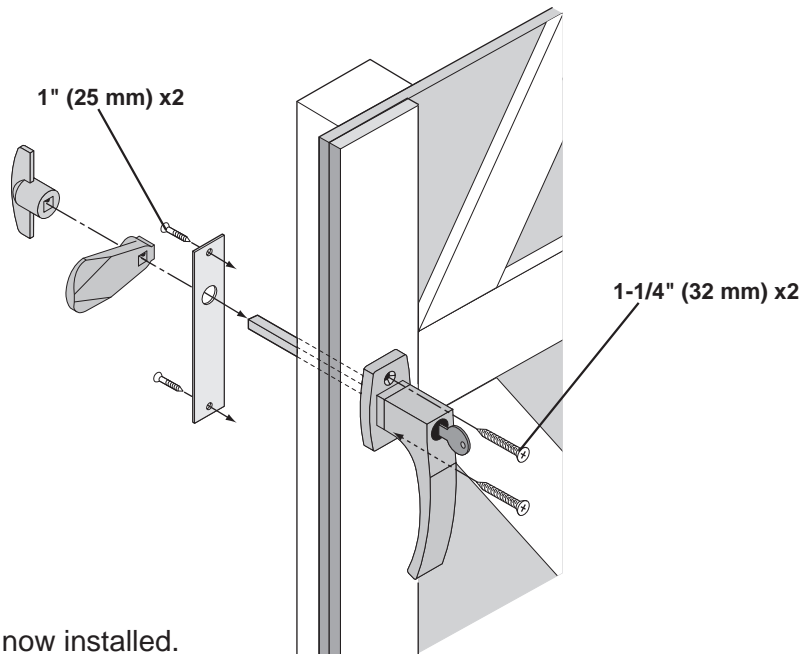
Re-drill hole with 1/2" drill.



Keep drilled hole square to trim to avoid breaking edge of door stiffener.



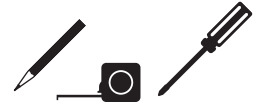
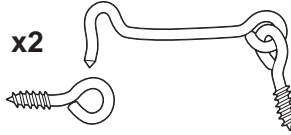
- 2 Secure backplate with 1" screws and handle with 1-1/4" screws as shown.



Your door handle is now installed.

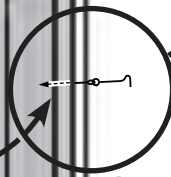
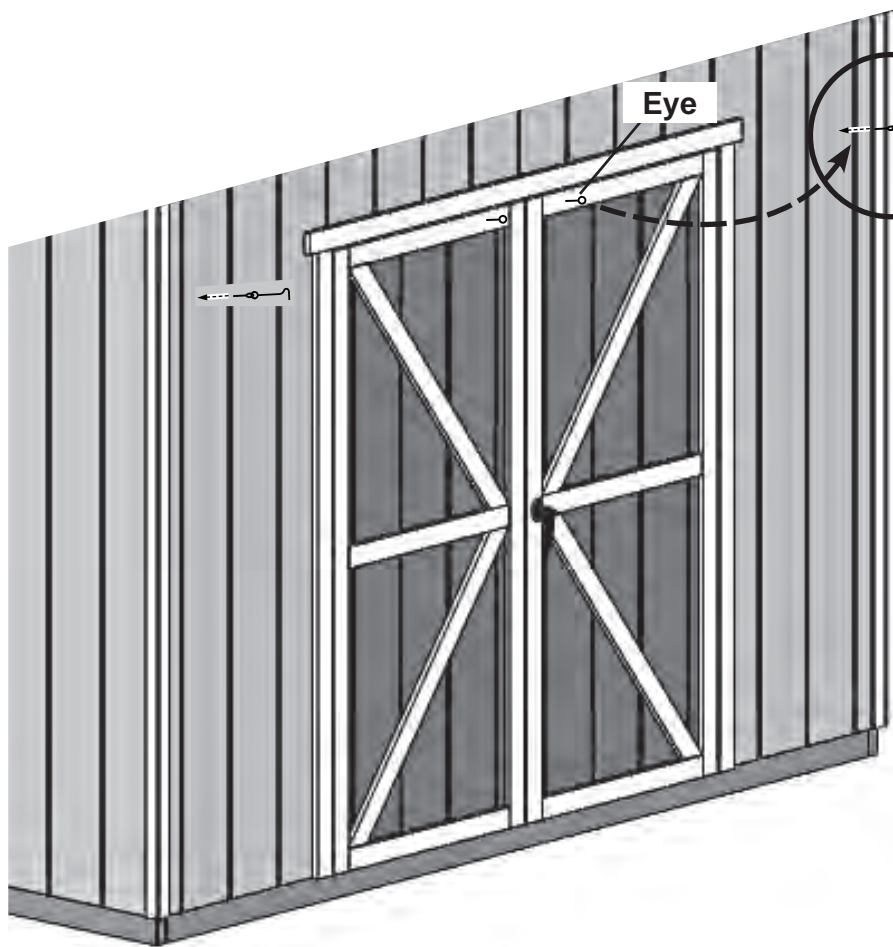
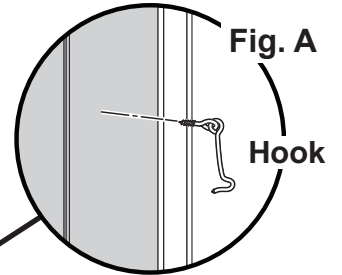
HOOK & EYE

PARTS REQUIRED:



✓ BEGIN

- 1 Install hooks in wall and into framing behind (Fig.A).
- 2 Swing door open to locate eye.



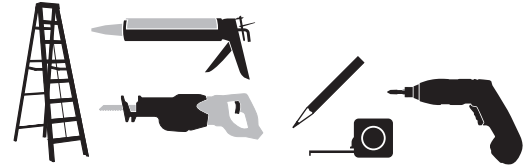
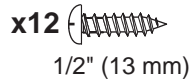
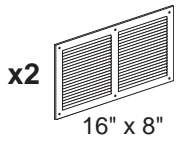
Install hook into framing, if possible.



You have installed your hook & eyes.

VENT (Not included in kit.)

• Follow directions provided by manufacturer and these instructions.



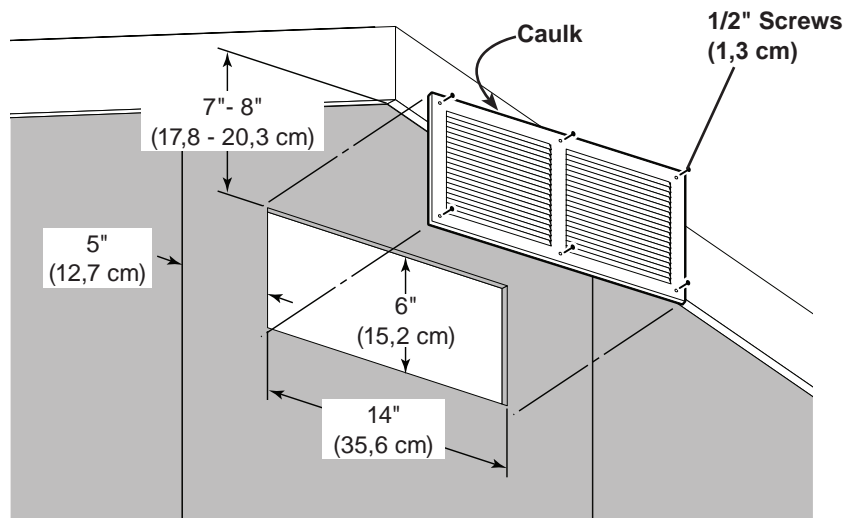
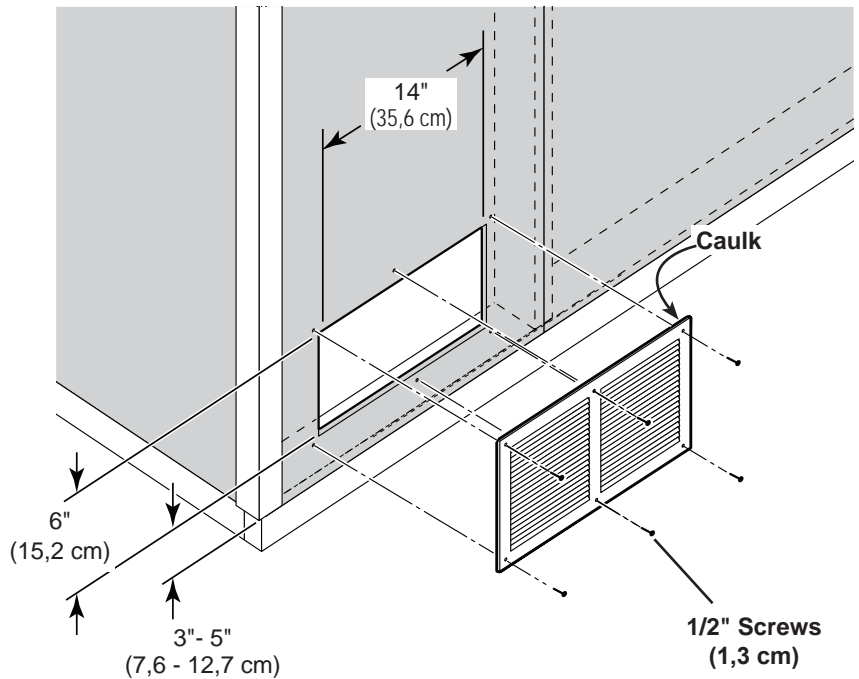
✓ **BEGIN**

- 1 Locate and mark for two vents in side walls as shown; (1) at top and (1) at bottom.

Cut out marked openings.

Caulk behind vent flanges.

Secure with 1/2" screws.



FINISH

Your vents are now installed.

PAINT & CAULK

- NOT INCLUDED -



- Use acrylic latex caulk that is paintable. Caulk at all horizontal and vertical seams, between the trim and walls, and all around the door trim.
- Use a high quality exterior acrylic latex paint. When painting your building, there are a few key areas that can be easily overlooked that must be painted:
 - Bottom edge of all siding and trim
 - Inside of doors and all 4 edges

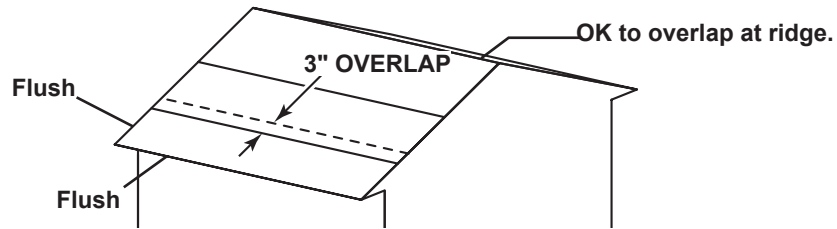
Note:

Prime all un-primed exterior wood before painting.
(Follow directions provided by manufacturer.)

ROOF FELT

- NOT INCLUDED -

- Install felt flush to all roof edges overlapping 3". Use minimal amount of roofing nails to hold in place.

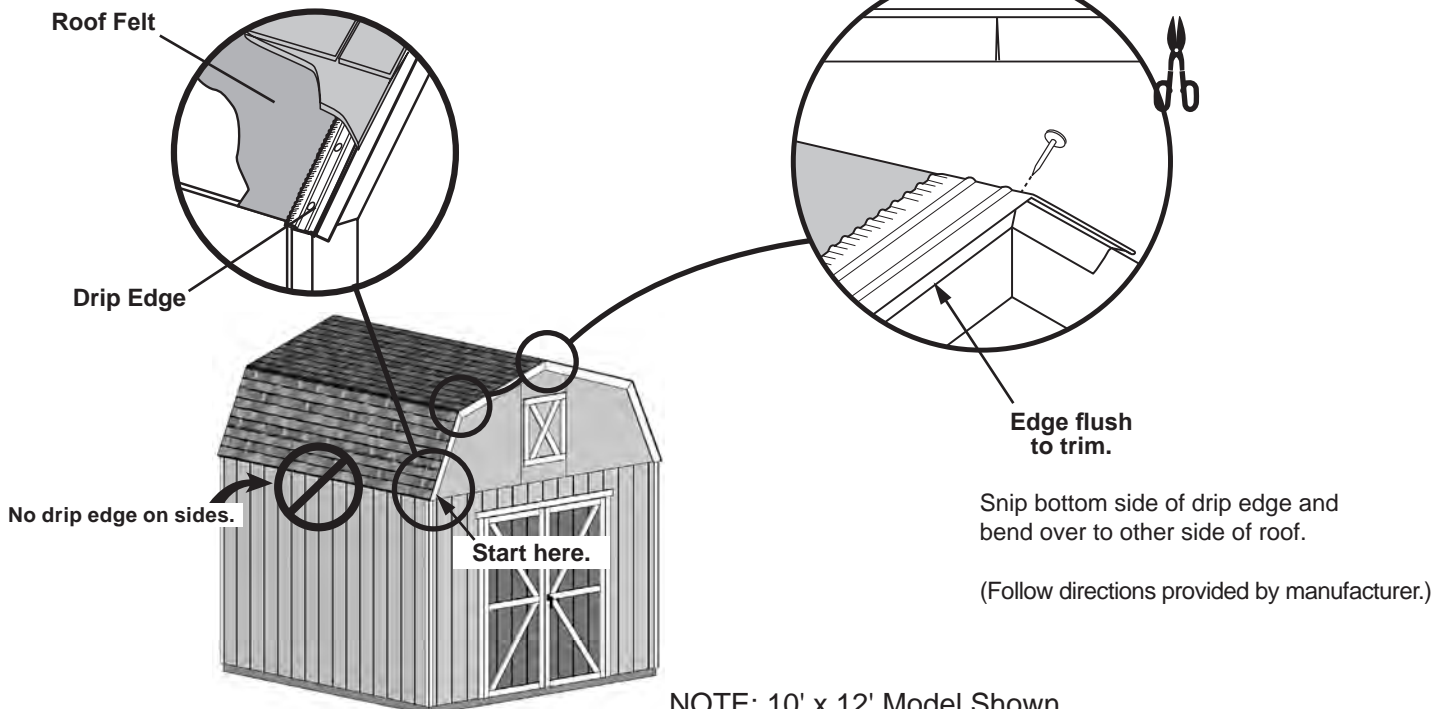


DRIP EDGE

- NOT INCLUDED -

Drip edge is only installed on the front and back sides of this shed.

- Install over roof felt or over roof deck.
- Do not use nails on side of drip edge that hangs over side of building.
- Only nail top of drip edge as shown.

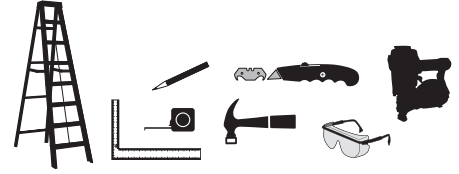


NOTE: 10' x 12' Model Shown.

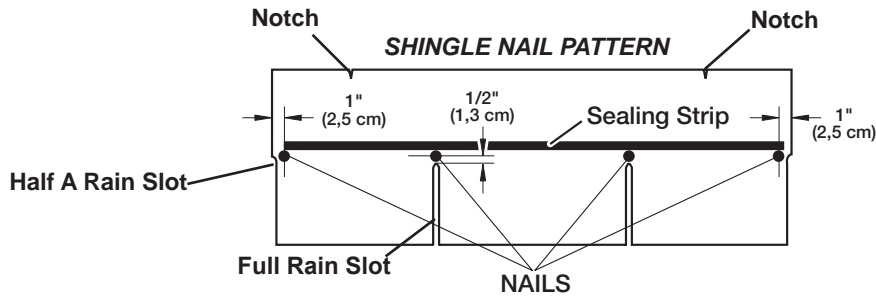
SHINGLES

- NOT INCLUDED -

- Follow directions provided by manufacturer and these instructions.



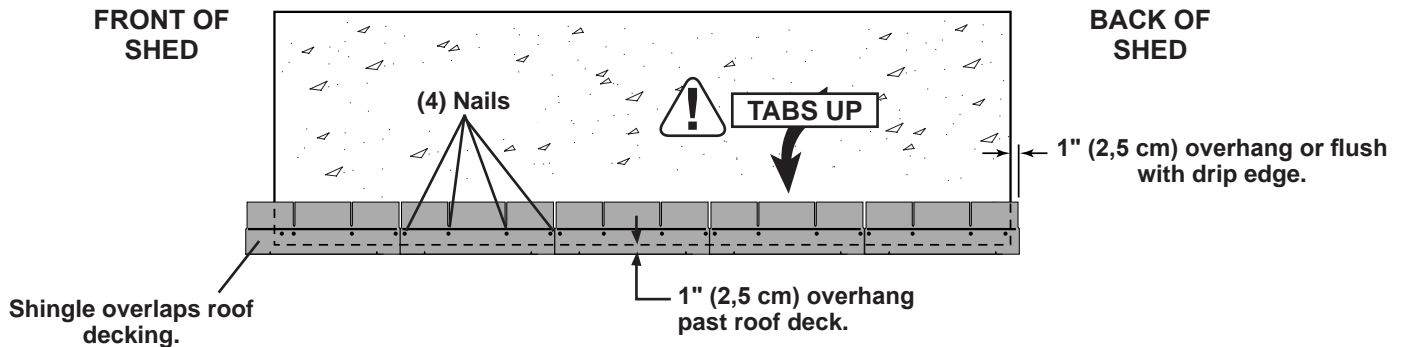
! Familiarize yourself with a 3-Tab Shingle.



! NEVER DRIVE FASTENERS INTO OR ABOVE SEALING STRIPS.

✓ BEGIN

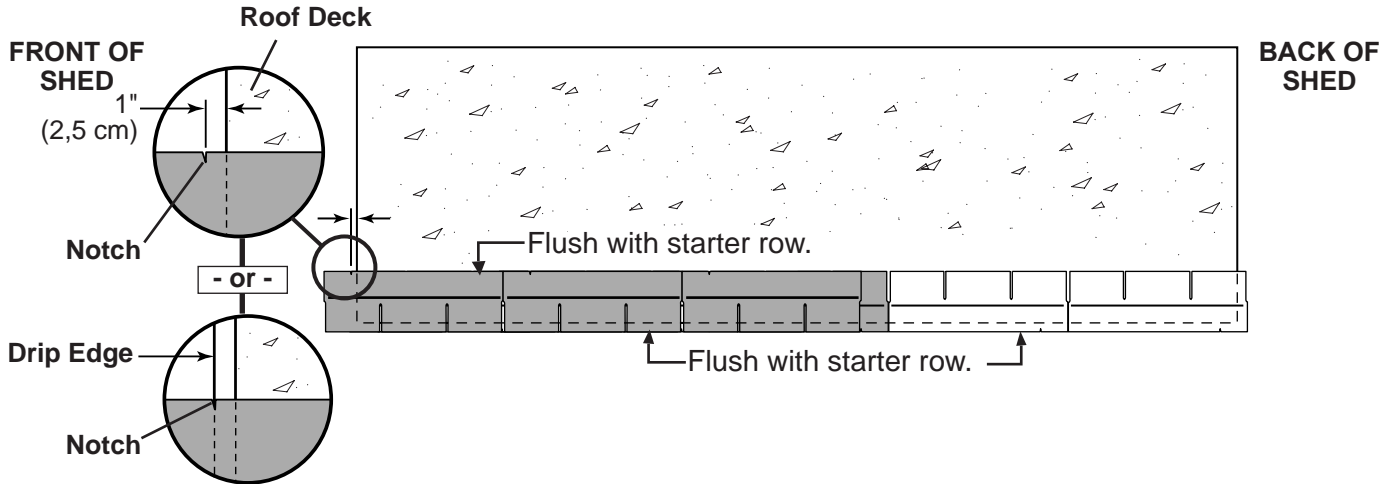
- 1** Install first starter row upside down and color up with a 1" overhang at back and bottom of roof panel. Use (4) nails per shingle. Starter row must be straight and level all the way across with lower edge of roof deck.
NOTE: If you have installed drip edge install shingles flush to drip edge.



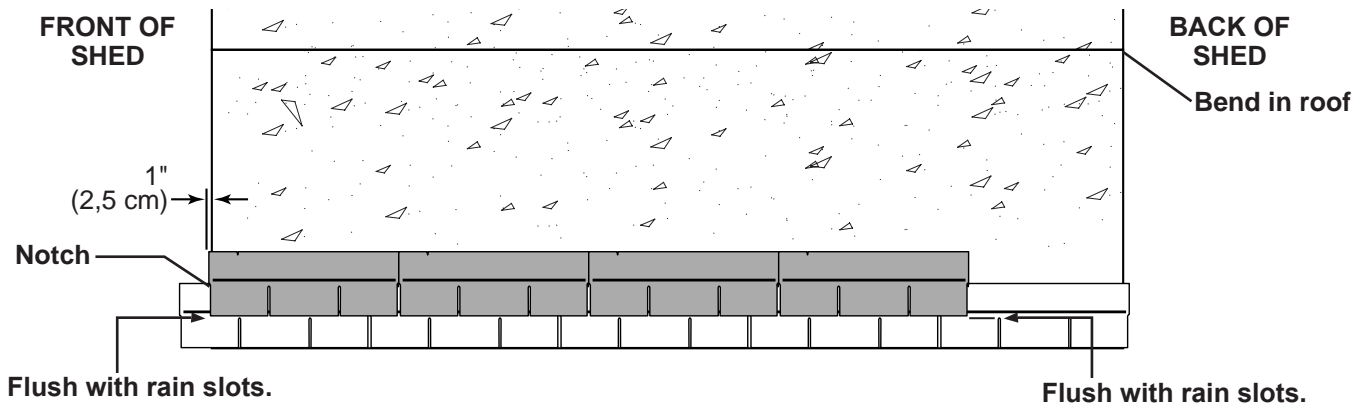
SHINGLES

continued...

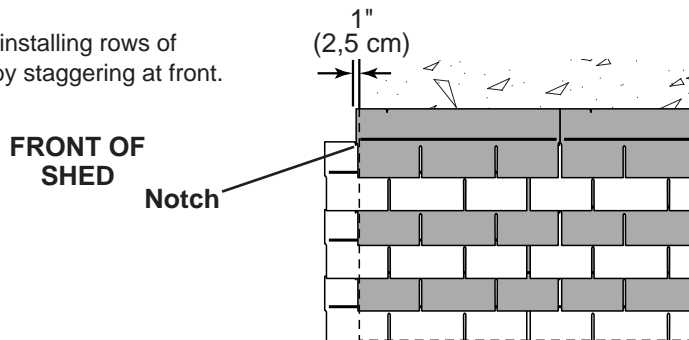
- 2 Beginning at front of shed, install first row of shingles with notch at 1" past roof edge or flush with drip edge.



- 3 Install second row of shingles flush at top of first row's rain slots. Ensure 1" overhang or flush to drip edge at front, stagger each row.



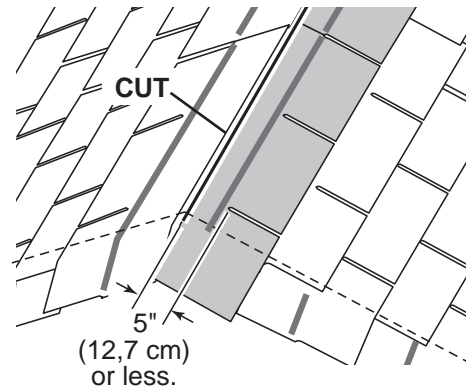
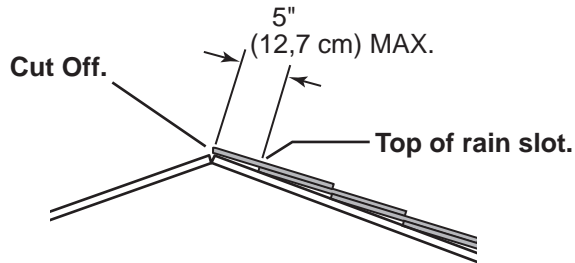
- 4 Continue installing rows of shingles by staggering at front.



SHINGLES

continued...

- 5 Continue installing rows of shingles to the peak. At the peak make sure there is a maximum of 5" or less to the rain slot, as shown below. If shingles overlap at ridge cut to peak with a utility knife.

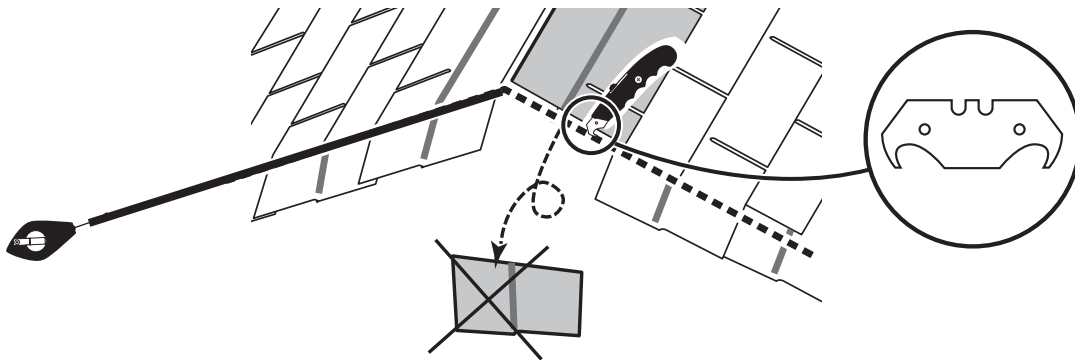


- ! • If more than 5" to rain slot you must install another row of shingles.

- 6 Repeat steps 1 - 7 to shingle the opposite side of your roof. Trim shingles at ridge.

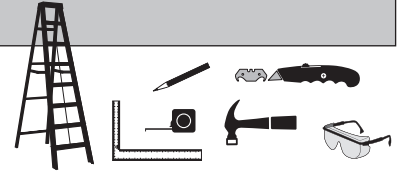
- 7 Once both sides are shingled you need to trim ends. Strike a chalk line 1" from edge.

- 8 Using your shingle hooked blade carefully cut shingles along chalk line.



You have finished shingling your roof. Proceed to capping the ridge.

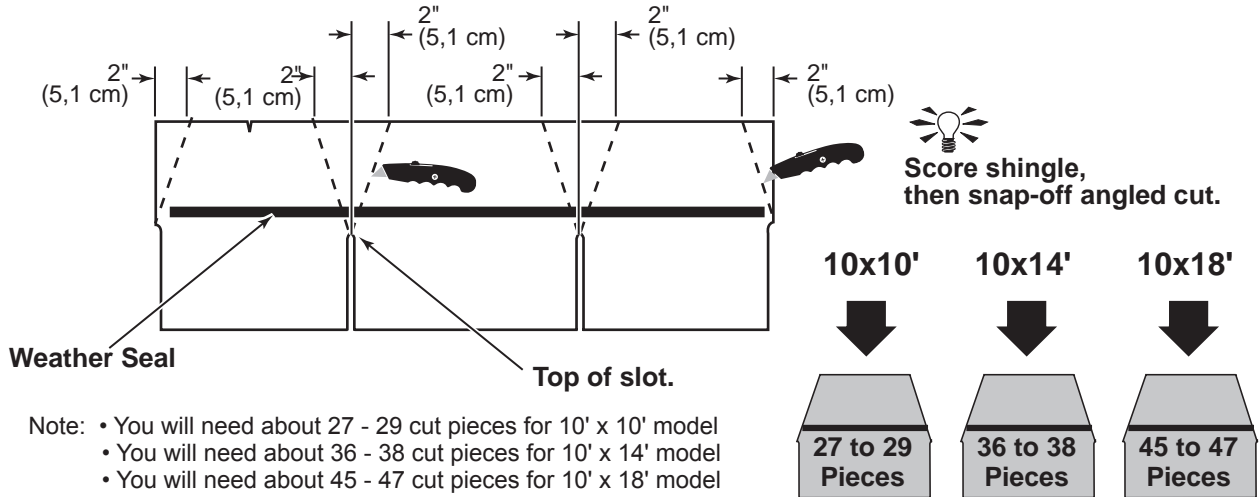
SHINGLES - RIDGE CAP



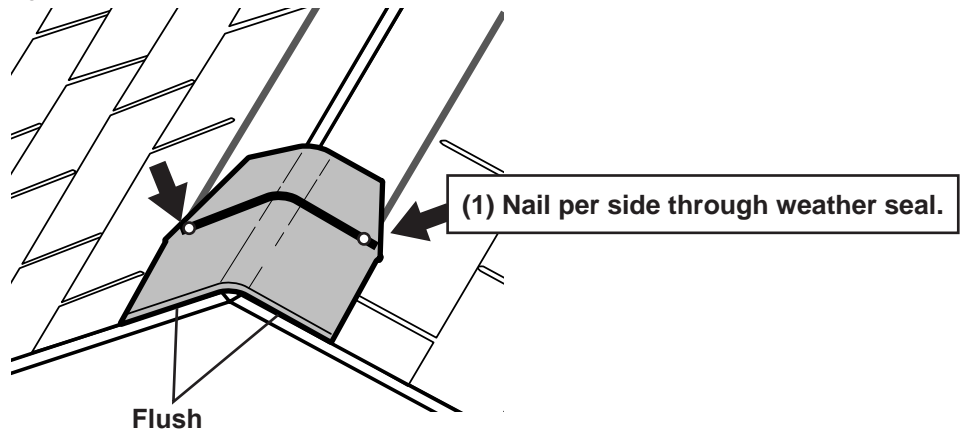
• You will finish off the top of the roof with a ridge cap made from shingles.

✓ BEGIN

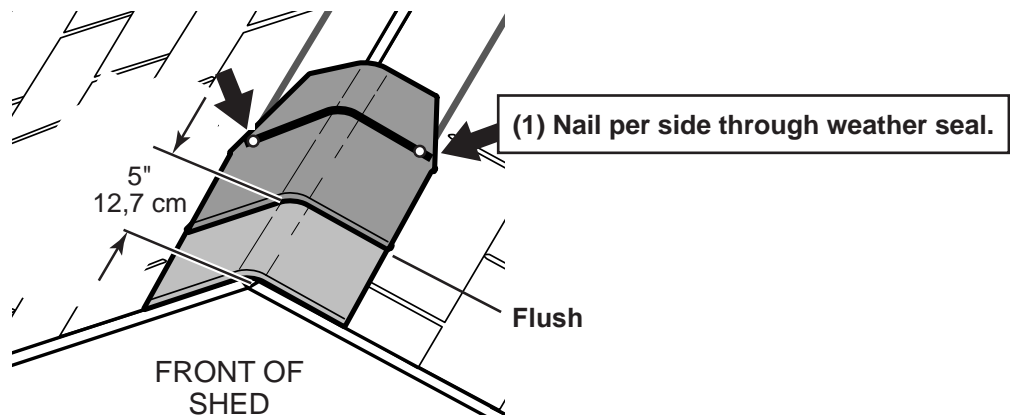
1 Cut shingles in THREE pieces. Hint: Use cut-off pieces first.



2 Install first ridge cap flush to shingles at front, as shown.



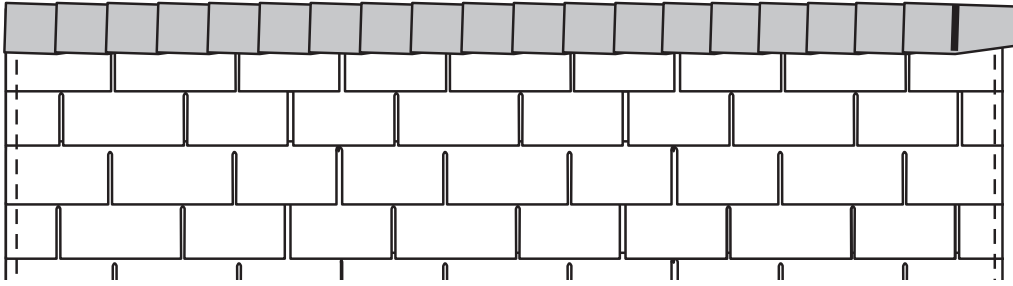
3 Install second ridge cap 5" back, as shown.



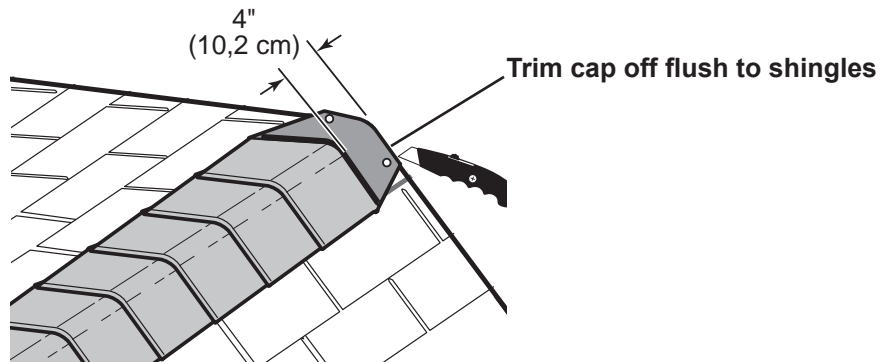
SHINGLES - RIDGE CAP

continued...

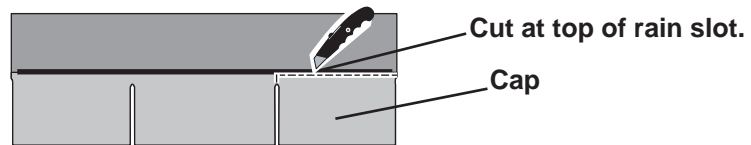
- 4 Continue installing ridge cap to back of roof.



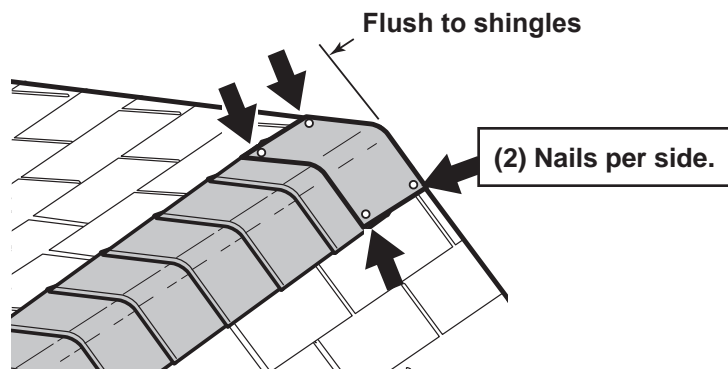
- 5 Make sure there is 4" between the shingle-color and edge of shingles.



- 6 When you have 4" minimum of shingle color cut one piece to cap your roof.



- 7 Install flush to shingles.



You have finished your ridge cap.

16410 10' x10' Order Form

CATEGORY	PART DESCRIPTION	PART SIZE	PART ITEM #	BUILDING QTY.	PART ID
2 x 4	Back Wall Top & Btm "A" / Dblr "A" / Collar Tie	LUM SPF 2X4X96 #2&BTR	12306	6	TP
	Doubler "B"	LUM SPF 2X4X92-5/8 #2&BTR	12305	2	TJ
	Side Wall Plate "B"	2 X 4 X 44 1/2" PLATE	O 44080000000	4	STL
	Side Wall Plate "A"	2 X 4 X 68-1/2"	O 68080000000	4	YFA
	Doubler "C"	2 X 4 X 20 3/8" DOUBLER	O 20060000000	2	JBD
	Back Wall T & B Plate "B" / Doubler	2 X 4 X 24" DOUBLER / PLATE	O 24000000000	4	RL
	Front Wall Plate "A"	LUM SPF 2X4X84 #2&BTR	12307	2	TO
	Front Wall Plate "B"	2 X 4 X 36"	O 36000000000	2	SL
	Wall Studs	2 X 4 X 78 1/2"	O 78080000000	20	AI
	Jack Studs	2 X 4 X 68" STUD	O 68000000000	2	UM
	Over Door Crippler	2 X 4 X 7"	O 07000000000	5	AL
	Header	2 X 4 X 67"	O 67000000000	2	AM
	Front / Rear Gable Connector	2 X 4 X 39" 17" O/E CONNECTOR	O 39001700000	4	QL
	1 X 3 PINE	Gauge Block	1 X 3 X 5" PINE FILLER	U 05000000000	1
7/16 OSB	Upper Roof Panel "A"	OSB 7/16" x 4' x 8"	11110	2	---
	Upper Roof Panel "B"	7/16" OSB 23 7/8" X 48" ROOF &	C 48002314000	2	---
	Lower Roof Panel "A"	7/16" OSB 23 7/8" X 96" ROOF	C 96002314000	2	---
	Lower Roof Panel "B"	7/16" OSB 23 7/8" X 23 7/8" RO	C 23142314000	2	---
	Door Header Filler	7/16" OSB 3 1/4" X 66 3/4" HEADER	C 66120304000	1	---
	Soffit Roof Panel "A"	7/16" OSB 11 7/8" X 96"	C 96001114000	2	---
	Soffit Roof Panel "B"	7/16" OSB 11 7/8" X 23 7/8"	C 23141114000	2	---
GUSSETS	Gusset	EZ 8" OSB 6" X24" GUSSET 17"	J 24000600170	10	---
NO GROOVE SIDING	Center Gable Panel	3/8" NG 23 7/8" X 47 1/8"	K 47022314000	2	---
	Front / Rear Gable Panel - Right	3/8" X 43-3/8" X 48" RIGHT GABLE	K 48004306344	2	---
	Front / Rear Gable Panel - Left	3/8" X 43-3/8" X 48" LEFT GABLE	K 48004306444	2	---
	Corner Trim	3/8" NG 1 3/4" X 83-1/4"	K 83040112000	8	---
8OC SIDING	Rearwall Panel "A" / Side Panel	SIDING 8" OC 4'X7'	11506	6	---
	Rear Panel "B"	EZ 8" 23 7/8" X 84" WALL PANEL	J 84002314000	3	---
	Frontwall Panel "A"	EZ 8" 11 7/8" X 84" PANEL	J 840011140WG	1	---
	Frontwall Panel "B"	EZ 8" 11 7/8" X 84" PANEL	J 84001114NOG	1	---
	Frontwall Panel Right	EZ 8" 48" x 84" RIGHT FRONTWALL	J 84004800101	1	---
Frontwall Panel Left	EZ 8" 48" x 84" LEFT FRONTWALL	J 84004800201	1	---	
19/32 X 3 SMART TRIM	Vertical / Over Door Trim	19/32 TST 2 1/2" X 72" TRIM	UT72000208000	1	ZJ
	Long Cross Buck - Right	19/32 TST 2 1/2" X 39-7/8" 36.5" L/S RGT X-BUCK	UT39143737100	2	MDR
	Long Cross Buck - Left	19/32 TST 2 1/2" X 39-7/8" 36.5" L/S LFT X-BUCK	UT39143737200	2	MDL
	Hay Door Cross Buck - Long	19/32 TST 2 1/2" X 25-3/4" L/L 32.5" B/E	UT25123333000	1	LKA
	Hay Door Cross Buck - Short	19/32 TST 2 1/2" X 12 7/8" L/L 25.5/32.5" CROSSBUCK	UT12143326000	2	JGA
	Horizontal Door Rail	19/32 TST 2 1/2" X 26 5/8"	UT26100208000	2	AH
	Horizontal & Vertical Window Trim	19/32 TST 2 1/2" X 21 3/4"	UT21120208000	4	KX
19/32 X 4 SMART TRIM	Lower Gable Trim Right	2 X 4 X 36" 24"/24" RIGHT	UT36002424100	2	ZJR
	Lower Gable Trim Left	2 X 4 X 36" 24"/24" LEFT	UT36002424200	2	ZJL
	Upper Gable Trim Right	19/32 TST 3 1/2" X 48 5/16"RGT	UT48051724100	2	ZQR
	Upper Gable Trim Left	19/32 TST 3 1/2" X 48 5/16"LFT	UT48051724200	2	ZQL
PURCHASED COMPONENTS	Door Stiffener	LSL 1-1/4 X 2-1/4 X 69 PET	12715	2	OO
	Chrome Single Point Locking Handle	DOOR HANDLE LOCKING SINGLE PT.	15210	1	---
PACKAGING	Instructions		16410	1	---
Right Door Assembly	30222-R				
	Door Panel	EZ 8" 31 1/4" X 71 1/2"	J 71083104000	1	---
	Right Hinge Assembly	HINGE RIGHT (RED) 19/32x3 THIN TRIM	30121-TT	1	---
	Vertical Door Stiles	19/32 TST 2 1/2" X 71 5/8"	UT71100208000	2	GY
Horizontal Door Rails	19/32 TST 2 1/2" X 26 5/8"	UT26100208000	2	AH	
Left Door Assembly	30222-L				
	Door Panel	EZ 8" 31 1/4" X 71 1/2"	J 71083104000	1	---
	Left Hinge Assembly	HINGE LEFT (GREEN) 19/32x3 THIN TRIM	30131-TT	1	---
	Vertical Door Stiles	19/32 TST 2 1/2" X 71 5/8"	UT71100208000	2	GY
Horizontal Door Rails	19/32 TST 2 1/2" X 26 5/8"	UT26100208000	2	AH	
Sub Assembled Truss	30085-M				
	Upper Truss	2 X 4 X 48" 17" 24"	O 48001724000	1	---
	Lower Truss	2 X 4 X 35" 24" 24" TRUSS PART	O 35002424000	1	---
Truss Plate	PLATE MENDING 2 1/2 X 6" 20 GA	15704	2	---	

LIMITED CONDITIONAL WARRANTY*

Backyard Storage Solutions, LLC warrants the following:

1. Every product is warranted from defects in workmanship and manufacturing for 1 year.
2. All accessories, hardware and metal components are warranted for 2 years.
3. All Oriented Strand Board (OSB) is warranted for 2 years
4. Siding and Trim is warranted for 15 years.
5. LP Prostruct® Flooring is warranted for 10 years
6. Cedar Lumber is warranted for 15 years.
7. Preserved Pine is warranted for 10 years.
8. Redwood is warranted for 10 years.
9. Metal Roof is warranted for 25 years.

Backyard Storage Solutions, LLC will repair, replace or pay for the affected part. In no event shall Backyard Storage Solutions, LLC pay the cost of labor or installation or any other costs related thereto. All warranties are from date of purchase. If a cash refund is paid on an affected part, it will be prorated from the date of purchase.

CONDITIONS

The warranty is effective only when:

1. The unit has been erected in accordance with the assembly instructions.
2. The unit has been properly shingled and painted or stained and regularly maintained thereafter.
3. The failure occurs when the unit is owned by the original purchaser.
4. Backyard Storage Solutions, LLC has received the warranty registration card within thirty (30) days of purchase and notification of the failure in writing within the warranty period specified above.
5. Backyard Storage Solutions, LLC has had reasonable opportunity during the sixty (60) days following receipt of notification to inspect and verify the failure prior to commencement of any repair work.

REQUIREMENTS

Storage Buildings

To validate your warranty, it is necessary to properly maintain your Backyard Storage Solutions, LLC unit; shingle the roof and paint or solid-colored stain the siding using quality, 100% acrylic latex exterior product with a minimum of two (2) coats within thirty (30) days of assembly; caulk above all doors and all horizontal and vertical trim boards; paint and seal all exposed edges, sides and faces of siding/trim and OSB siding to include all exterior walls and all sides and all edges of doors.

Gazebos & Pergolas

To validate your warranty, it is necessary to properly maintain your Backyard Storage Solutions, LLC unit. This includes treating all of the exposed cedar and pine surfaces on your gazebo or pergola structure with an exterior grade wood preservative, an exterior oil-based semi-transparent stain, an acrylic latex exterior paint or an acrylic latex solid color exterior stain within 30 days of assembly and as needed thereafter to maintain your warranty.

Keep vegetation trimmed away from building and make sure siding panels and trim do not come in contact with masonry or cement. The minimum ground clearance for siding must be one half inch (½ inch) from concrete slab or two and one half inches (2 ½") from the ground when building is erected or constructed on a treated wood floor kit. Water from sprinklers must be kept off unit. In no event will Backyard Storage Solutions, LLC be responsible for any indirect, incidental, consequential or special damages nor for failure(s) that are caused by events, acts or omissions beyond our control including, but not limited to, misuse or improper assembly, improper maintenance (which eventually leads to rot or decay) and acts of God. Backyard Storage Solutions, LLC will not be held responsible for any labor costs incurred to construct your unit.

This warranty gives you certain specific rights that vary from state to state.

CLAIM PROCEDURE

To make a claim under this warranty, you can either call 1-888-827-9056 or email: customerservice@backyardproducts.com.

Please have ready the information below when you call or include the information in your email:

1. The model and size of the product.
2. A list of the part(s) for which the claim is made.
3. Proof of purchase of the Backyard Storage Solutions, LLC item, as shown on the original invoice or receipt.
4. Run code: found on exterior product label or assembly instructions enclosed in the product package.

All other inquiries can be mailed to:

Backyard Storage Solutions, LLC
Attn: Customer Service
1000 Ternes
Monroe, MI 48162

***WARRANTY TERMS MAY VARY OUTSIDE THE U.S.A.**

IMPORTANT: This is your warranty certificate.

15Y PSS BB GEN LDR: 3/20/2019