

4.9m x 4.3m (16' x 14.1') TIMBER FRAME PAVILION

Installation and Operating Instructions – YM12904



IMPORTANT, RETAIN FOR FUTURE REFERENCE: READ CAREFULLY

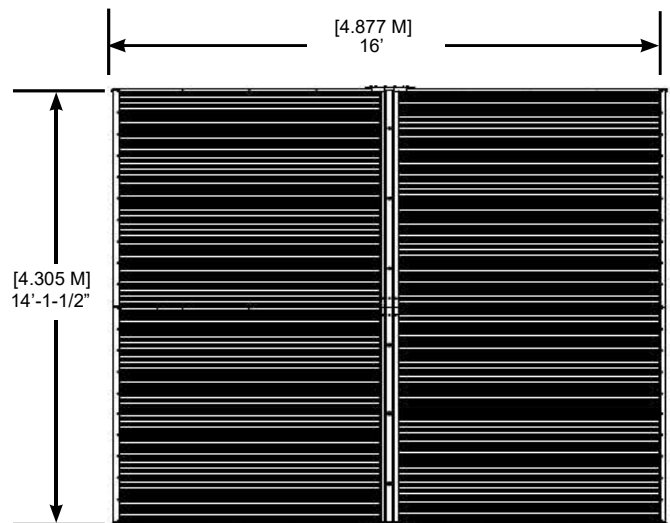
Revised 10-13-2022

YARDISTRY®

Yardistry – North America
Toll Free Customer Support:
1.888.509.4382
info@yardistrystructures.com
www.yardistrystructures.com

Regular Hours: Mon - Fri, 8:30 am - 5:00 pm EST (excl. holidays)
(For extended hours see our website)
English and French Spoken

Patents Pending



Height: 11' 6" (3.51 m)

Important Safety Notice!

Yardistry components are intended for privacy, decorative and ornamental use only.

Product is NOT INTENDED for the following:

- A safety barrier to prevent unsupervised access to pools, hot tubs, spas or ponds.
- As load bearing support for a building, structure, heavy objects or swings.
- Used in structures that trap wind, rain or snow that would create extra load on the product.

Accumulated snow must be removed from roof.

DO NOT climb or walk on roof for any reason.

Permanent structures may require a building permit. As the purchaser and or installer of this product you are advised to consult local planning, zoning and building inspection departments for guidance on applicable building codes and/or zoning requirements.

Wood is NOT flame retardant and will burn. Grills, fire pits and chimineas are a fire hazard if placed too close to a Yardistry structure. Consult user's manual of the grill, fire pit or chiminea for safe distances from combustible materials.

Wear gloves to avoid injury from possible sharp edges of individual elements before assembly.

During installation, follow all safety warnings provided with your tools and use OSHA approved safety glasses. Some structures may require two or more people to install safely.

Check for underground utilities before digging or driving stakes into the ground!

During assembly it is important to closely follow the instructions. Complete the assembly on a solid, level surface and follow the instructions to square up, level and anchor the structure. This will reduce the gaps at wood connections during assembly.

General Information

General Information: Wood components are manufactured with Cedar (C. Lanceolata) which is protected with factory applied water-based stain. Knots, small checks (cracks) and weathering are naturally occurring and do not affect the strength of the product. Annual application of a water-based water repellent sealant or stain is important and will help reduce weathering and checks.

www.yardistrystructures.com

Questions?

Call toll free or write us at:
1 (888) 509-4382
support@yardistrystructures.com

Regular Hours: Mon - Fri, 8:30 am - 5:00 pm EST
(excl. holidays)
(For extended hours see our website)

English and French Spoken

Patents Pending

Limited Warranty

Yardistry warrants that this product is free from defect in materials and workmanship for a period of one (1) year from the original date of purchase. In addition, for any product with lumber, all lumber is warranted for five (5) years against rot and decay. This warranty applies to the original owner and registrant and is non-transferable.

Regular maintenance is required to assure the integrity of your product and is a requirement of the warranty. This warranty does not cover any inspection costs.

This Limited Warranty does not cover:

- Labour for replacement of any defective item(s);
- Incidental or consequential damages;
- Cosmetic defects which do not affect performance or integrity;
- Vandalism; improper use or installation; acts of nature, including but not limited to wind, storms, hail, floods, excessive water exposure;
- Minor twisting, warping, checking or any other natural occurring properties of wood that do not affect performance or integrity.

Yardistry products have been designed for safety and quality. Any modifications made to the original product could damage the structural integrity of the product leading to failure and possible injury. Yardistry cannot assume any responsibility for modified products. Furthermore, modification voids any and all warranties.

This product is warranted for RESIDENTIAL USE ONLY. Yardistry disclaims all other representations and warranties of any kind, express or implied.

This Warranty gives you specific legal rights. You may have other rights as well which vary from state to state or province to province. This warranty excludes all consequential damages, however, some states/provinces do not allow the limitation or exclusion of consequential damages, and therefore this limitation may not apply to you.

Instructions for Proper Maintenance

Your Yardistry structure is designed and constructed of quality materials. As with all outdoor products it will weather and wear. To maximize the enjoyment, safety and life of your structure it is important that you, the owner, properly maintain it.

HARDWARE:

- Check metal parts for rust. If found, sand and repaint using a non-lead paint complying with 16 CFR 1303.
- Inspect and tighten all hardware after completion of assembly; after first month of use; and then annually. Do not over-tighten as to cause crushing and splintering of wood.
- Check for sharp edges or protruding screw threads, add washers if required.

WOOD PARTS:

- Applying a water repellent or stain (water-based) on a yearly basis is important maintenance to maintain maximum life and performance of the product.
- Check all wood members for deterioration, structural damage and splintering. Sand down splinters and replace deteriorated wood members. As with all wood, some checking and small cracks in grain is normal.
- Some gapping may occur at some wood connections.

Assembly Guides

Tools Required:

- | | | |
|------------------------------|---------------------|----------------------|
| • Tape Measure | • 8' Step Ladder x2 | • 6' Step Ladder x 2 |
| • Carpenters Level | • Safety Glasses | • Square |
| • Standard or Cordless Drill | • Adult Helper | • Ratchet |
| • 7/16", 1/2" & 9/16" Wrench | • Safety Gloves | • Claw Hammer |
| • 7/16", 1/2" & 9/16" Socket | • Hard Hat | |

Symbols:

Throughout these instructions symbols are provided in the top, right-hand corner of the page.



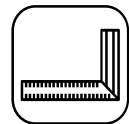
- Use Help, where this is shown, 2, 3 or 4 people are required to safely complete this step. To avoid injury or damage to the assembly make sure to get some help.



- Use a measuring tape to assure proper location



- Pre-drill a pilot hole before fastening screw or lag to prevent splitting of wood.



- Check that assembly is square before tightening bolts

If you dispose of your Yardistry structure: Please disassemble and dispose of your unit so that it does not create any unreasonable hazards at the time it is discarded. Be sure to follow your local waste ordinances.

Assembly Tips

Following are some helpful tips to make the assembly process smooth and efficient.

PRE-ASSEMBLIES:

(i.e. Post and Beam Assemblies, Roof Rafter Assembly, etc)

- Work on a raised, solid and flat surface such as, a table or saw horse.
- Keep all connections flush where shown in the instructions.
- When assembling the beams keep parts flat, straight and snug when connecting.

METAL PARTS:

- Roofing material may have sharp edges, wear safety gloves.
- Remove all plastic covering, on both sides of the metal panels, directly before installing each piece.
- Place roofing material on a non-abrasive surface before and after assembly as it can bend, dent and scratch easily.
- The roofing screws can easily crush the roof panels and roof edges when using a power drill. We recommend hand tightening the roofing screws so they sit snug and tight to the roofing material.

Permanent Installation Examples

Note: It is critically important you start with square, solid and level footings, concrete pad or deck to attach your Pavilion.

We supply Post Mounts with this structure which gives you the flexibility to permanently install your structure to a pre-existing or new wood or concrete surface.

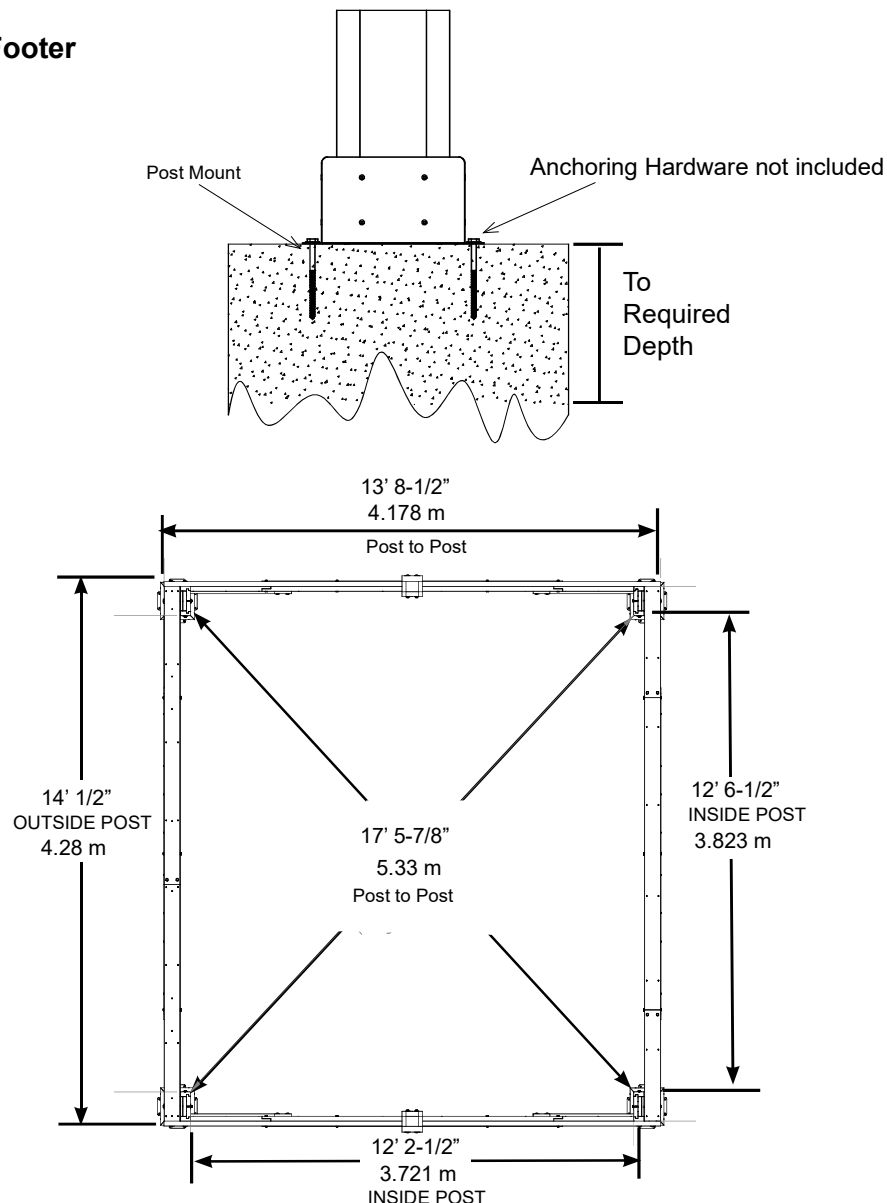
- The hardware to attach the Post Mount to the structure is included.
- The hardware to mount the structure permanently will need to be purchased separately at your local hardware store.

If you are mounting to concrete footers see below for the correct locations and placement. Please double check for possibility of any underground utilities such as gas, telephone, cable or sprinkler lines.

Following are some examples of how to mount the structure to wood or concrete surfaces.

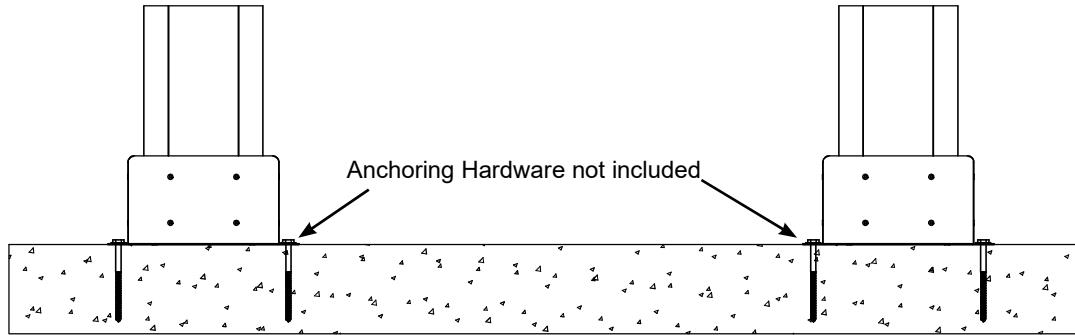
Refer to your local building and city codes, ordinances, neighbourhood covenants, or height restrictions regarding this type of structure for guidance on acceptable installation requirements.

Concrete Footer

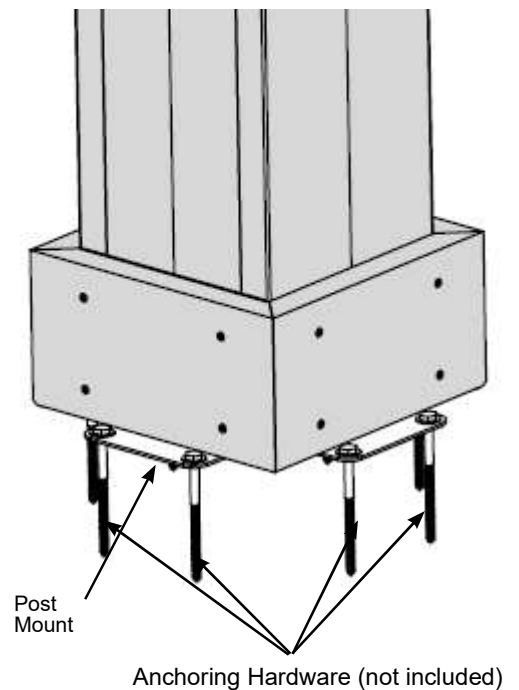
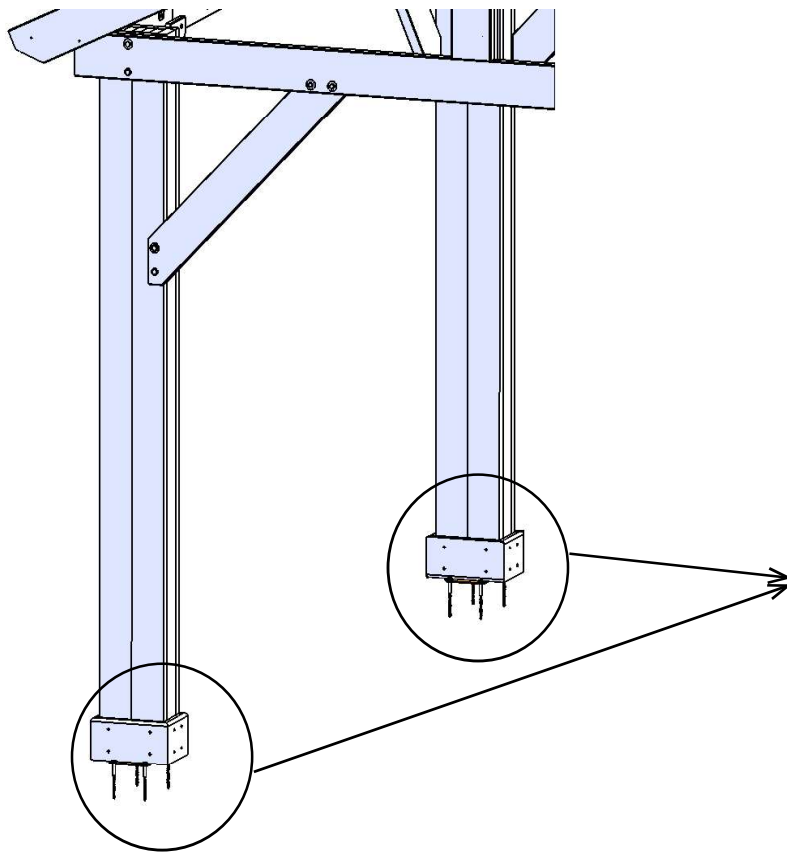


Permanent Installation Examples cont.

Concrete Patio 4.483m x 4.585m (14' 8-1/2" x 15' 1/2") with 15.24cm (6") clearance on all sides



Concrete Patio 4.483m x 4.585m (14' 8-1/2" x 15' 1/2") with 15.24cm (6") clearance on all sides



Post Mounts have a 12.7mm (1/2") diameter hole for anchoring hardware.

Part Identification (Dimensions are approximate and are shown to assist in the identification of parts for assembly. Actual dimensions may be smaller or larger.)

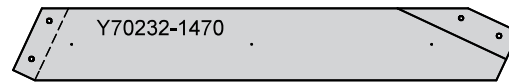
4pc. (1474) - Post 2438.4mm (96") FSC



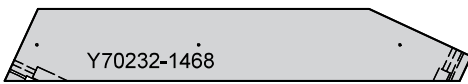
2pc. (1469) - Gusset FB Right 1070.5mm (42-1/8") FSC



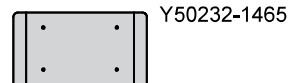
2pc. (1470) - Gusset FB Left 1070.5mm (42-1/8") FSC



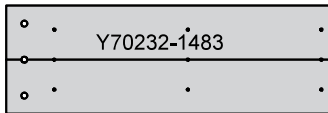
4pc. (1468) - Gusset Side 987.5mm (38-7/8") FSC



16pc. (1465) - Plinth 282.5mm (11-1/8") FSC



4pc. (1483) - Inner Short Beam 689mm (27-1/8") FSC



2pc. (1486) - Inner Centre Beam 2590.8mm (102") FSC



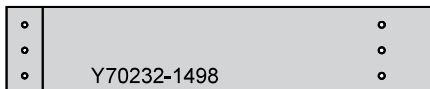
4pc. (1489) - Outer Beam FB 2140mm (84-1/4") FSC



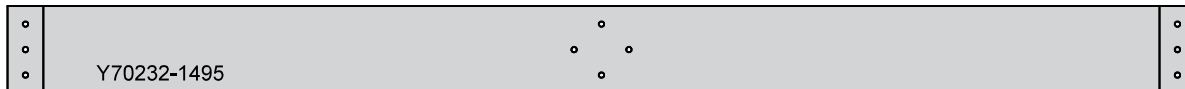
4pc. (1501) - Beam Front 2127.3mm (83-3/4") FSC



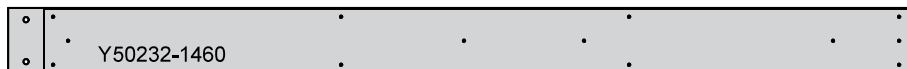
4pc. (1498) - Beam Back End 908.1mm (35-3/4") FSC



2pc. (1495) - Beam Back Centre 2514.6mm (99") FSC



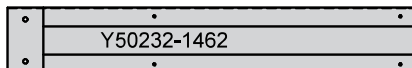
2pc. (1460) - Beam Top LT 1924.1mm (75-3/4") FSC



2pc. (1459) - Beam Top RT 2330.5mm (91-3/4") FSC



4pc. (1462) - Beam Bottom End 870mm (34-1/4") FSC

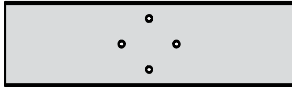


2pc. (1461) - Beam Bottom Centre 2590.8mm (102") FSC

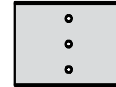


Part Identification (Dimensions are approximate and are shown to assist in the identification of parts for assembly. Actual dimensions may be smaller or larger.)

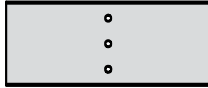
2pc. (1473) - Beam Block 24" 609.6mm (24") FSC
Y70232-1473



4pc. (1471) - Beam Block 9" 228.6mm (9") FSC
Y70232-1471



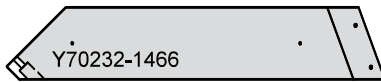
4pc. (1472) - Beam Block 17" 431.8mm (17") FSC
Y70232-1472



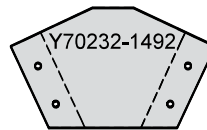
4pc. (1464) - Fascia 2524.8mm (99-7/16") FSC



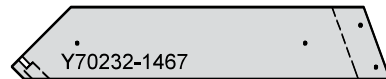
2pc. (1466) - Left Gable Gusset 800.6mm (31-1/2") FSC



2pc. (1492) - Roof Peak 433.4mm (17") FSC



2pc. (1467) - Right Gable Gusset 800.6mm (31-1/2") FSC



4pc. (1452) - Bottom Rafter 2127.3mm (83-3/4") FSC



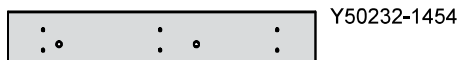
4pc. (1453) - Top Rafter 2127.3mm (83-3/4") FSC



12pc. (1455) - Strap 2127.3mm (83-3/4") FSC



4pc. (1454) - Ridge Long 650.9mm (25-5/8") FSC



4pc. (1458) - Ridge Short 355.6mm (14") FSC



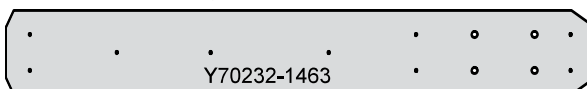
4pc. (1456) - Centre Rafter 2535.8mm (99-13/16") FSC



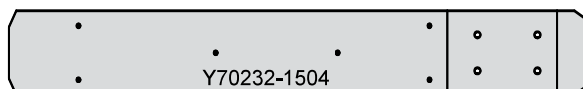
20pc. (1457) - Common Rafter 2535.8mm (99-13/16") FSC



2pc. (1463) - Upright Back 1233.4mm (48-9/16") FSC

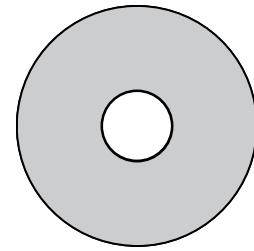


2pc. (1504) - Front Upright 1233.4mm (48-9/16") FSC



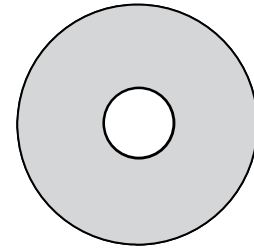
Hardware Identification (Dimensions are approximate and are shown to assist in the identification of parts for assembly. Actual dimensions may be smaller or larger.)

16pc. 1/4 x 2-1/4" Hex Bolt - (Y07718-221)



40pc.
3/8 x 1-1/4" Large Washer
(Y05118-811)

12pc. 1/4 x 5" Hex Bolt - (Y07718-250)

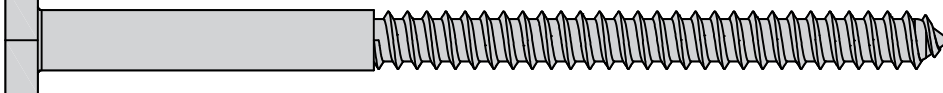


116pc.
1/4-5/16 x 1-1/4" Large Washer
(Y05118-311)

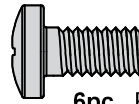
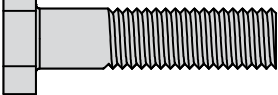
14pc. Lag Screw (1/4" Shank) 5/16 x 3" - (Y06218-330)



16pc. Lag Screw 5/16 x 4-3/4" - (Y06218-343)

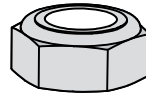


12pc. Hex Bolt 5/16 x 1" - (Y07718-310)

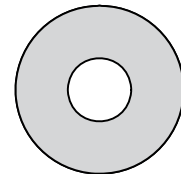


6pc. Pan Bolt
1/4 x 1/2" - (Y07436-202)

32pc. Hex Bolt 5/16 x 1-1/2" - (Y07718-312)

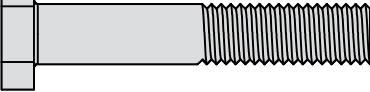


20pc. - 5/16" Lock Nut
(Y08318-303)

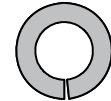
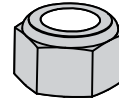


118pc. 5/16" Flat Washer
(Y05118-203)

16pc. Hex Bolt 5/16 x 1-3/4" - (Y07718-313)

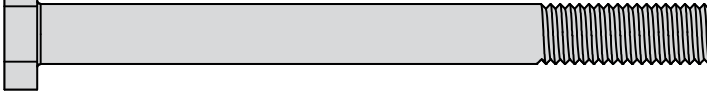


20pc. - 3/8" Lock Nut
(Y08318-803)

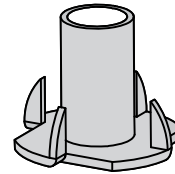


108pc. 5/16" Lock Washer
(Y05318-300)

24pc. Hex Bolt 5/16 x 3-1/4" - (Y07718-331)



6pc. Hex Bolt 5/16 x 3-3/4" - (Y07718-333)

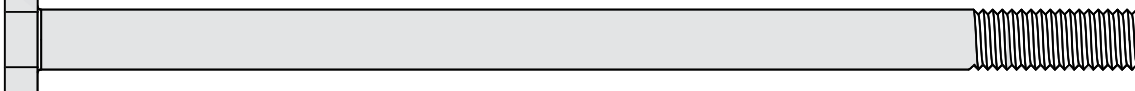


108pc. 5/16 - T-Nut
(Y08518-300)

10pc. Hex Bolt 5/16 x 4" - (Y07718-340)

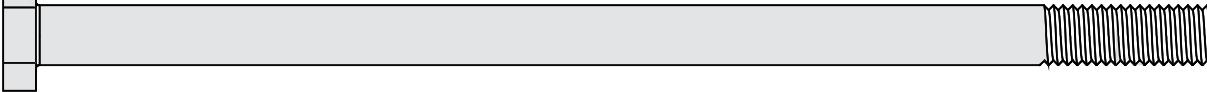


16pc. Hex Bolt 5/16 x 5-3/4" - (Y07718-353)

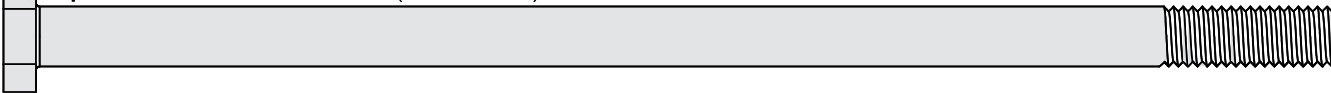


34pc. - 1/4" Lock Nut
(Y08318-203)

4pc. Hex Bolt 5/16 x 6-1/4" - (Y07718-361)



8pc. Hex Bolt 5/16 x 6-1/2" - (Y07718-362)



Hardware Identification (Dimensions are approximate and are shown to assist in the identification of parts for assembly. Actual dimensions may be smaller or larger.)

108pc. Pan Screw #10 x 1-1/4"
(Y06418-711)

74pc. Pan Screw #8 x 1"
(Y06418-510)

16pc. Wood Screw #8 x 3-1/2" - (Y06091-532)

20pc. Wood Screw #7 x 3/4" (Y06091-003)

376pc. Wood Screw #8 x 2-1/2" - (Y06091-522)

144pc. Wood Screw #8 x 1-1/2"
(Y06091-512)

18pc. Wood Screw #8 x 3" - (Y06091-530)

44pc. Wood Screw #8 x 1-3/4"
(Y06091-513)

4pc. Pan Screw
#12 x 1-1/2" (Y06418-612)

220pc. Hex Roofing Screw
#8 x 1" (Y06736-510)

8pc. Wood Screw #8 x 2 1/4" - (Y06091-521)

1pc. - 1/8" Drill Bit
(Y00400-002)

4pc. Sheet Metal Screw
#8 x 3/4"
(Y06436-503)

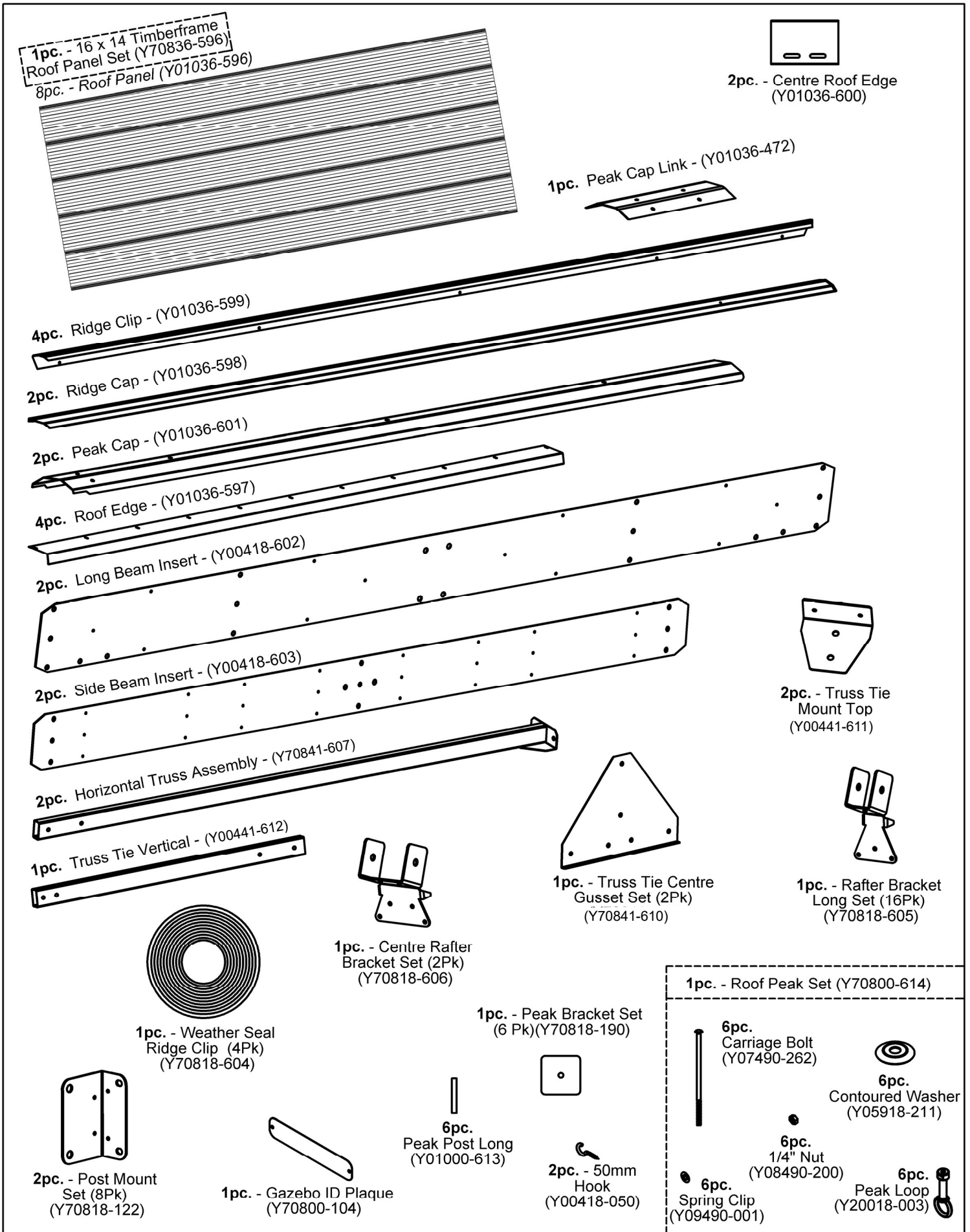
1pc. #2 x 2"
Robertson Driver
(Y00400-005)

1pc. - Hex Driver (Y00400-004)

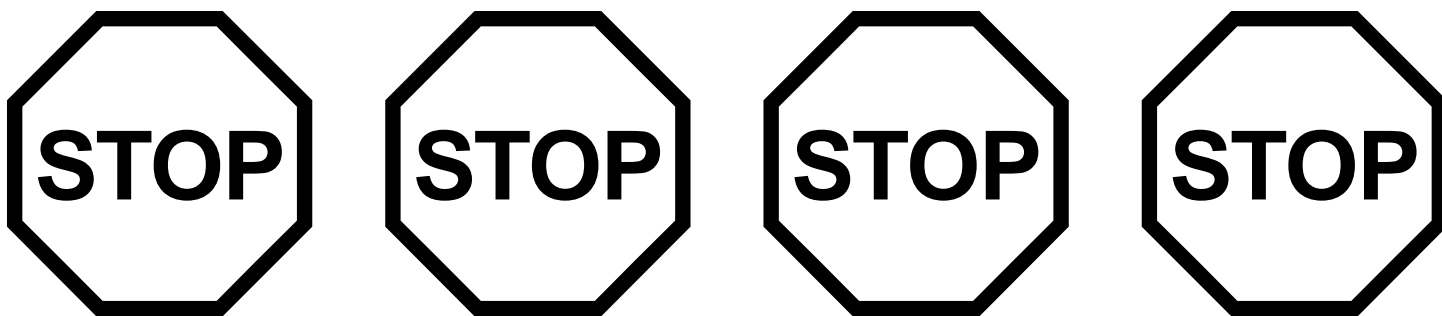
12pc. Hex Bolt 3/8 x 9-1/2"
(Y07718-892)

8pc. Hex Bolt 3/8 x 11"
(Y07718-8110)

Hardware Identification (Dimensions are approximate and are shown to assist in the identification of parts for assembly. Actual dimensions may be smaller or larger.)



Step 1: Inventory Parts - Read This Before Starting Assembly



- A. This is the time for you to inventory all your hardware, wood and accessories, referencing the parts identification sheets. This will assist you with your assembly.
- Each step indicates which bolts and/or screws you will need for assembly, as well as any flat washers, lock washers, t-nuts or lock nuts.
- B. If there are any missing or damaged pieces or you need assistance with assembly please contact the consumer relations department directly. Call us before going back to the store.

1-888-509-4382

support@yardistrystructures.com

- C. Read the assembly manual completely, paying special attention to ANSI warnings; notes; and safety/maintenance information on pages 1 - 4.
- Follow the instructions in order.
 - This structure is designed to be assembled and installed ideally by four people, DO NOT attempt to install alone.
 - Consider the slope of elevation where you plan to install the structure. Also, check for gas, telephone, other utilities or sprinkler line locations prior to excavating any holes.
- D. Before you discard your cartons fill out the form below.
- The carton I.D. stamp is located on the end of each carton.
 - Please retain this information for future reference. You will need this information if you contact the Consumer Relations Department.

PRODUCT NUMBER: **YM12904**

CARTON I.D. STAMP: _ _ _ _ _ (Box 1)
CARTON I.D. STAMP: _ _ _ _ _ (Box 2)
CARTON I.D. STAMP: _ _ _ _ _ (Box 3)
CARTON I.D. STAMP: _ _ _ _ _ (Box 4)
CARTON I.D. STAMP: _ _ _ _ _ (Box 5)
CARTON I.D. STAMP: _ _ _ _ _ (Box 6)
CARTON I.D. STAMP: _ _ _ _ _ (Box 7)

Step 2: Post Assemblies

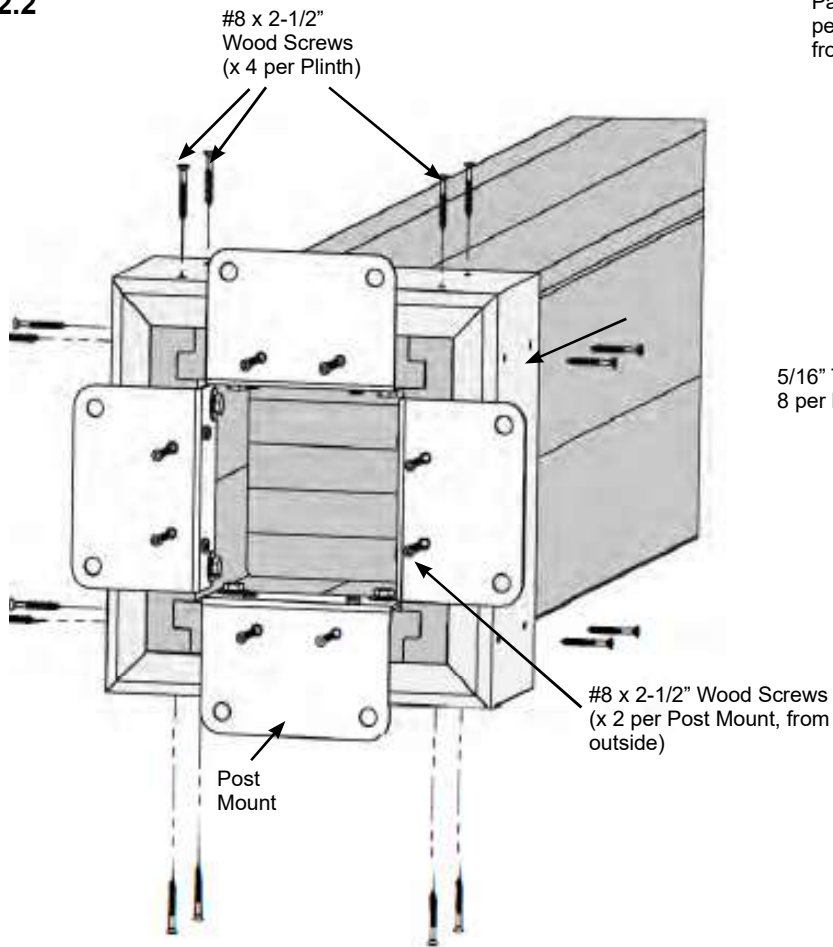
A: At the bottom of (1474) 9 x 9 Post, insert eight 5/16" T-Nuts on the outside of each post. (F2.1)

B: At the bottom of each Post place four Post Mounts tight to the bottom and inside faces as shown in (F2.1 and F2.2). Loosely attach with two 5/16 x 1-1/2" Hex Bolt (with 5/16" lock washer and 5/16" flat washer) per mount so they connect to the T-Nuts. From the bottom attach with two #8 x 2-1/2" Wood Screws and two #10 x 1-1/4" Pan Screws per mount. (F2.2) Tighten bolts.

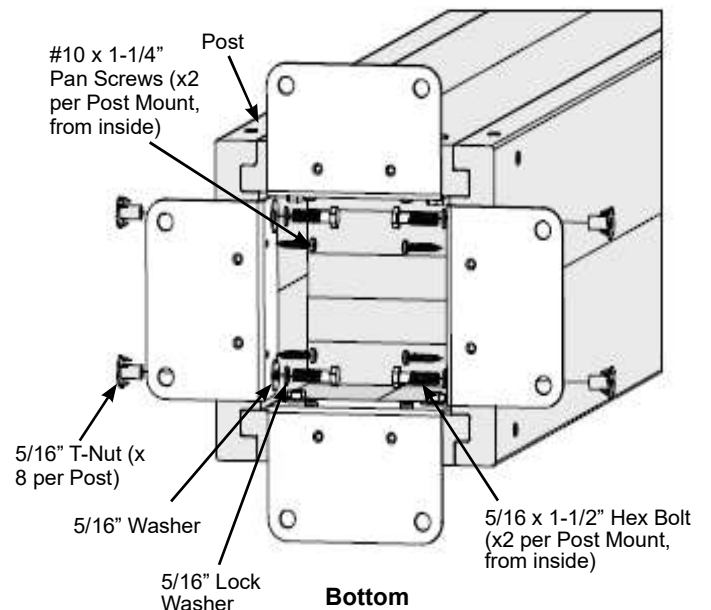
C: Flush to the bottom of each Post place one (1465) Plinth on each post side and attach with four #8 x 2-1/2" Wood Screws per plinth. Rounded edges on top. (F2.1, F2.2 and F2.3)

D: Repeat for three additional Post Assemblies.

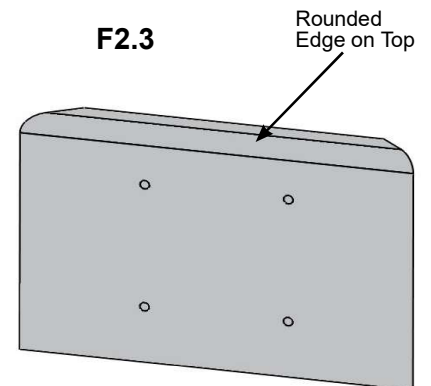
F2.2



F2.1



F2.3



Wood Parts

4 x (1474) 9 x 9 Post
16 x (1465) Plinth

Hardware

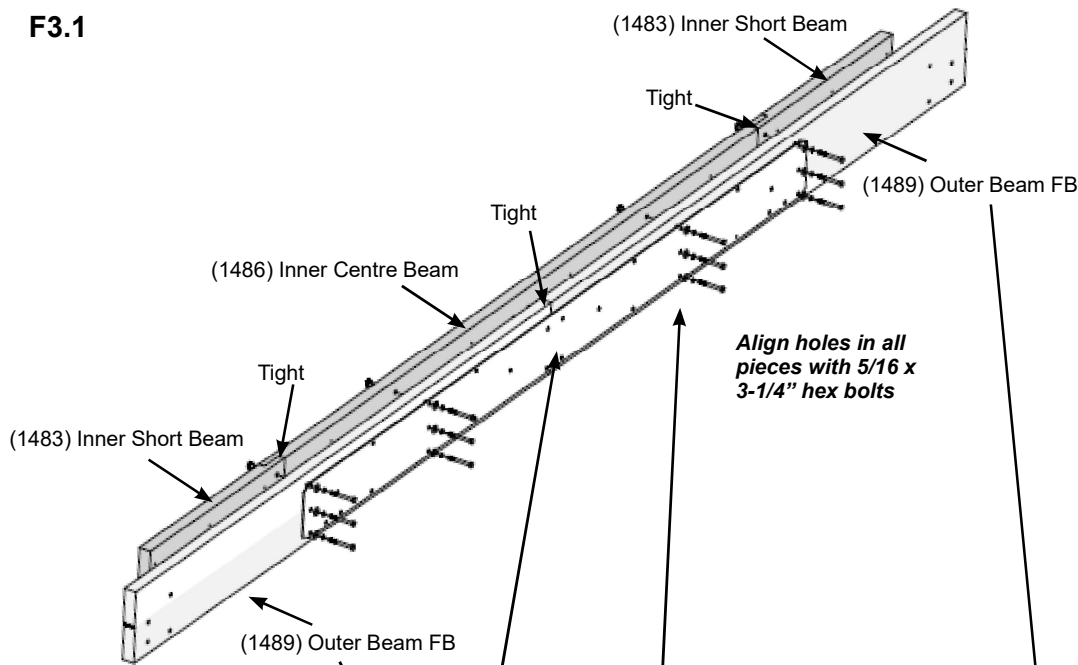
96 x #8 x 2-1/2" Wood Screw
32 x #10 x 1-1/4" Pan Screw
16 x Post Mount
32 x 5/16" T-Nut
32 x 5/16 x 1-1/2" Hex Bolt (with 5/16" lock washer, 5/16" flat washer)

Step 3: Front/Back Beam Assembly Part 1

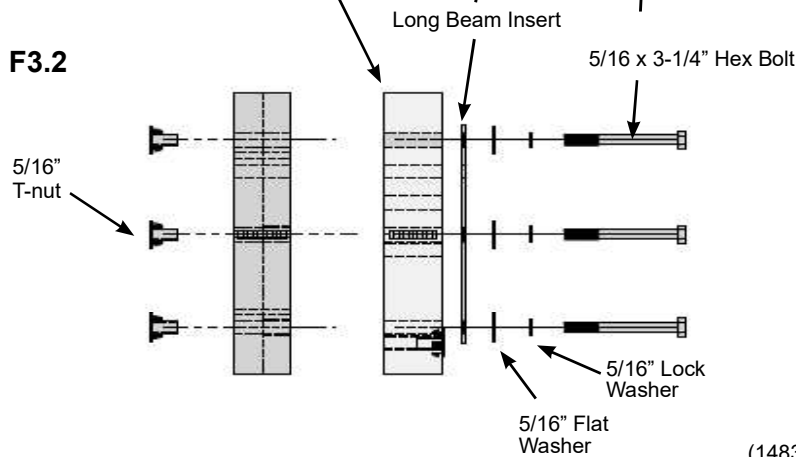
A: Using one Long Beam Insert, connect two (1489) Outer Beam FB at front, and two (1483) Inner Short Beams and one (1486) Inner Centre Beam at back, using twelve 5/16 x 3-1/4" Hex Bolts (with 5/16" lock washer, 5/16" flat washer and 5/16" t-nut) as shown in (F3.1, F3.2 and F3.3).

Make sure all holes align, then tighten all bolts.

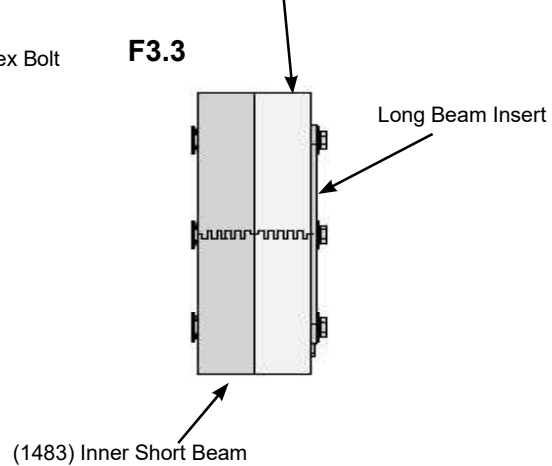
F3.1



F3.2



F3.3



Wood Parts

- 4 x (1489) Outer Beam FB
- 4 x (1483) Inner Short Beam
- 2 x (1486) Inner Centre Beam

Components

- 2 x Long Beam Insert

Hardware

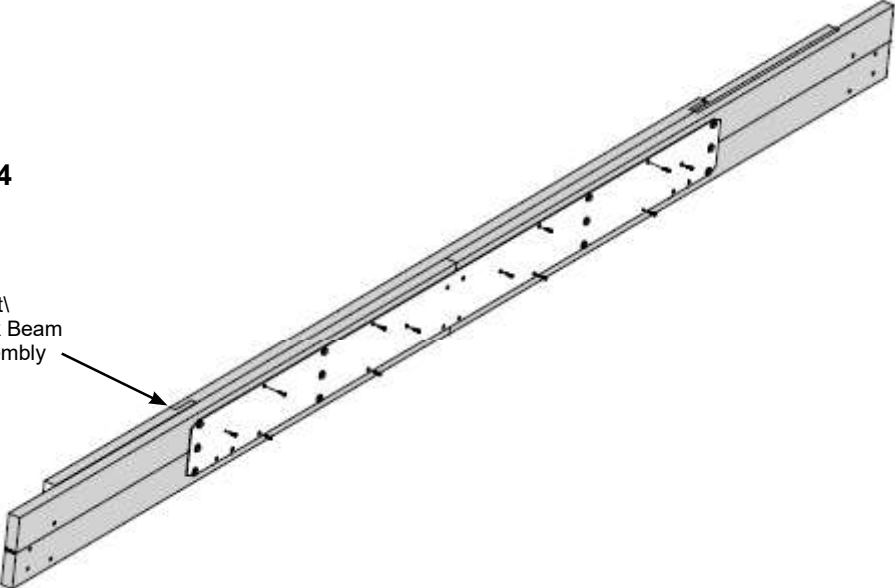
- 24 x 5/16" x 3-1/4" Hex Bolts (5/16" T-Nut
5/16" Lock Washer, 5/16" Flat Washer)

Step 3: Front/Back Beam Assembly Part 2

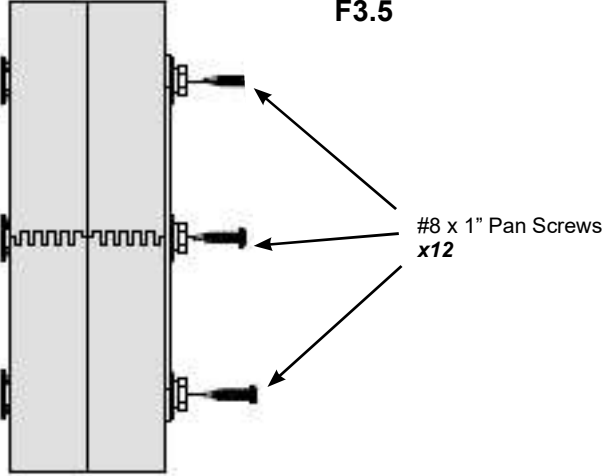
B: Install Long Beam Insert on Front/Back Beam Assembly using (12) #8 x 1" Pan Screws as shown in (F3.4 and F3.5).

F3.4

Front/
Back Beam
Assembly



F3.5



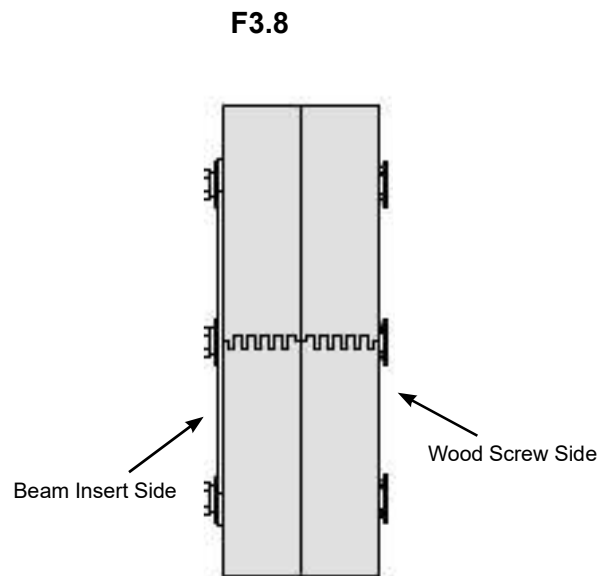
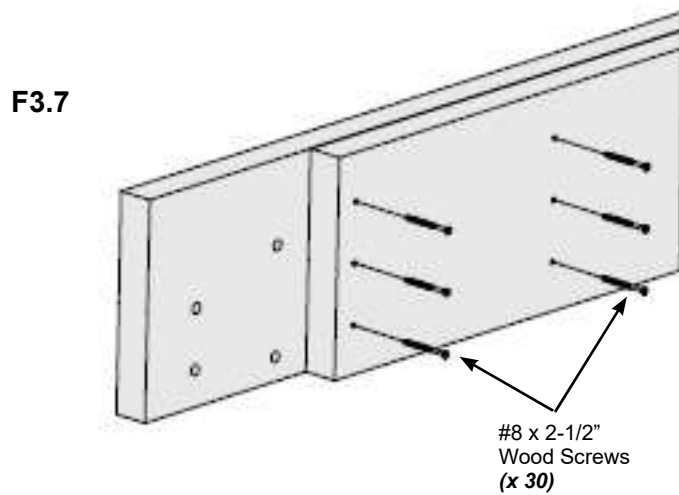
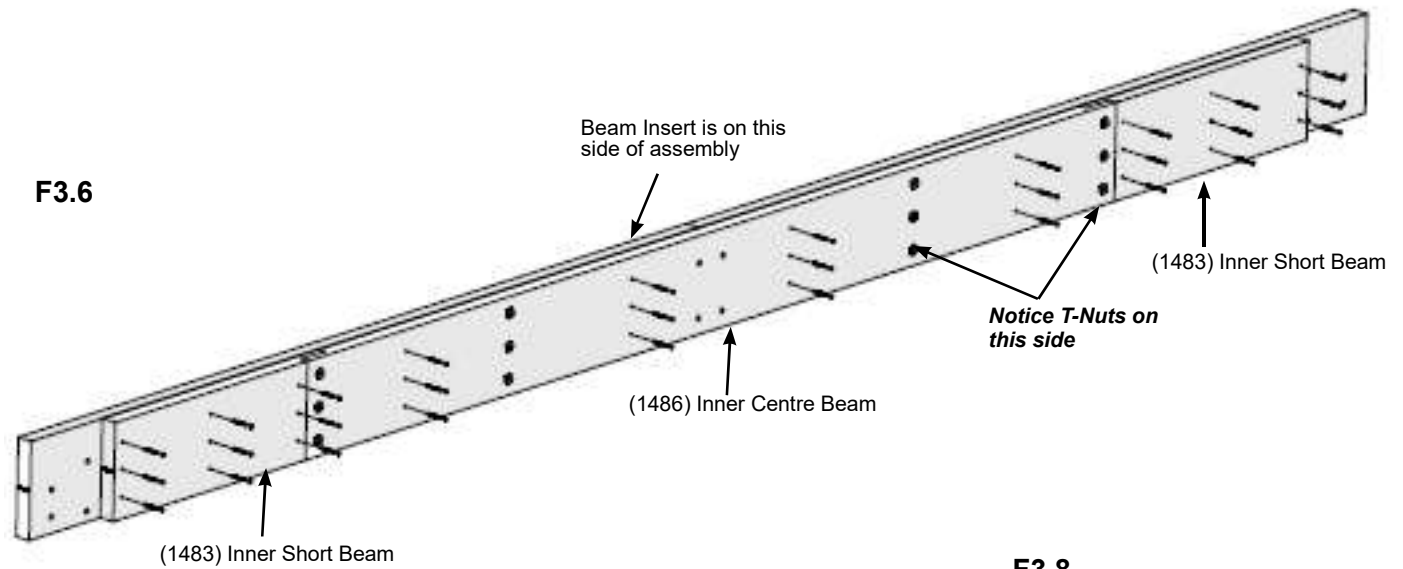
Hardware

24x #8 x 1" Pan Screws

Step 3: Front\Back Beam Assembly Part 3

C: Flip assembly over so the T-nuts face towards front then fasten assembly with (30) #8 x 2-1/2" Wood Screws through (1483) Inner Short Beam and (1486) Inner Centre Beam. (F3.6, F3.7 and F3.8)

D: Repeat for a second Front\Back Beam Assembly.



Hardware

60 x #8 x 2-1/2" Wood Screw

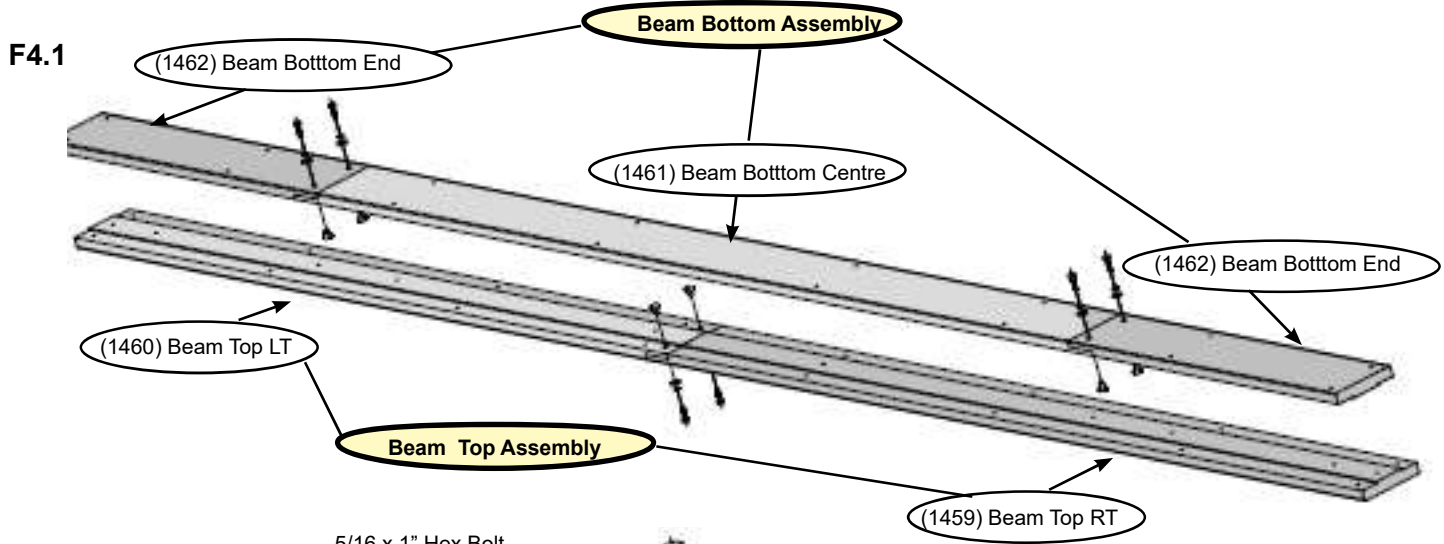
Step 4: Side Beam Assembly

Part 1

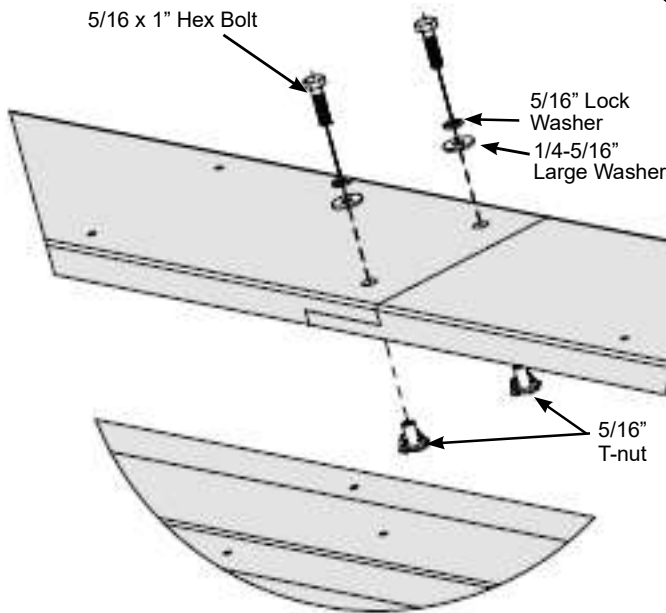
A: Connect one (1462) Beam Bottom End to each end of one (1461) Beam Bottom Centre using two 5/16 x 1" Hex Bolts (with 5/16" lock washer, 1/4-5/16" large washer and 5/16" t-nut) per end as shown in (F4.1 and F4.2).

B: Connect one (1459) Beam Top RT and one (1460) Beam Top LT using two 5/16 x 1" Hex Bolts (with 5/16" lock washer, 1/4-5/16" large washer and 5/16" t-nut) as shown in (F4.1 and F4.2).

Align bolt holes in all pieces with 5/16 x 1" hex bolts



F4.2



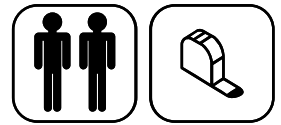
Wood Parts

- 4 x (1462) Beam Bottom End
- 2 x (1459) Beam Top RT
- 2 x (1460) Beam Top LT
- 2 x (1461) Beam Bottom Centre

Hardware

- 12 x 5/16" x 1" Hex Bolts (5/16" T-Nut
- 5/16" Lock Washer, 1/4-5/16 Large Washer)

Step 4: Side Beam Assembly Part 2

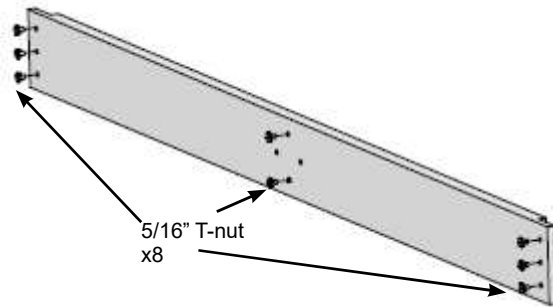


C: Install eight 5/16" T-Nuts by tapping into the long face of the (1495) Beam Back Centre. Place the board with T-Nuts facing down followed by two (1498) Beam Back End at each end. (F4.3 and F4.4)

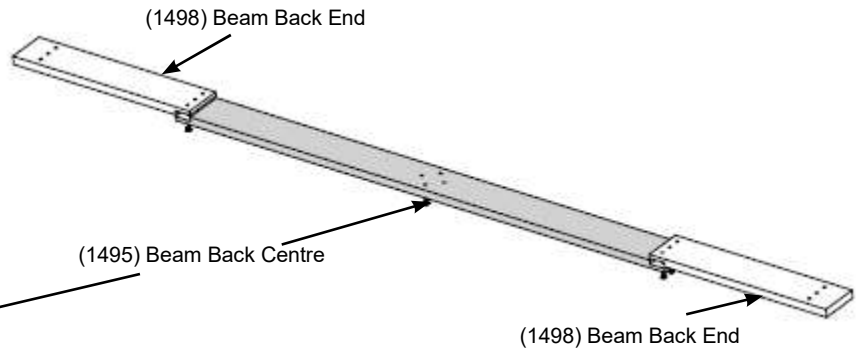
D: Place two (1471) Beam Block 9" one at each end of the (1498) Beam Back Ends and two (1472) Beam Block 17" at a distance of 16-3/4" apart from each (1471) Beam Block 9", (F4.5 and F4.6)

E: Place one (1473) Beam Block 24" at the centre of the (1498) Beam Back Centre. It should measure 27-1/2" to the end of each (1472) Beam Block 17". This will verify central position. (F4.5 and F4.6)

F4.3



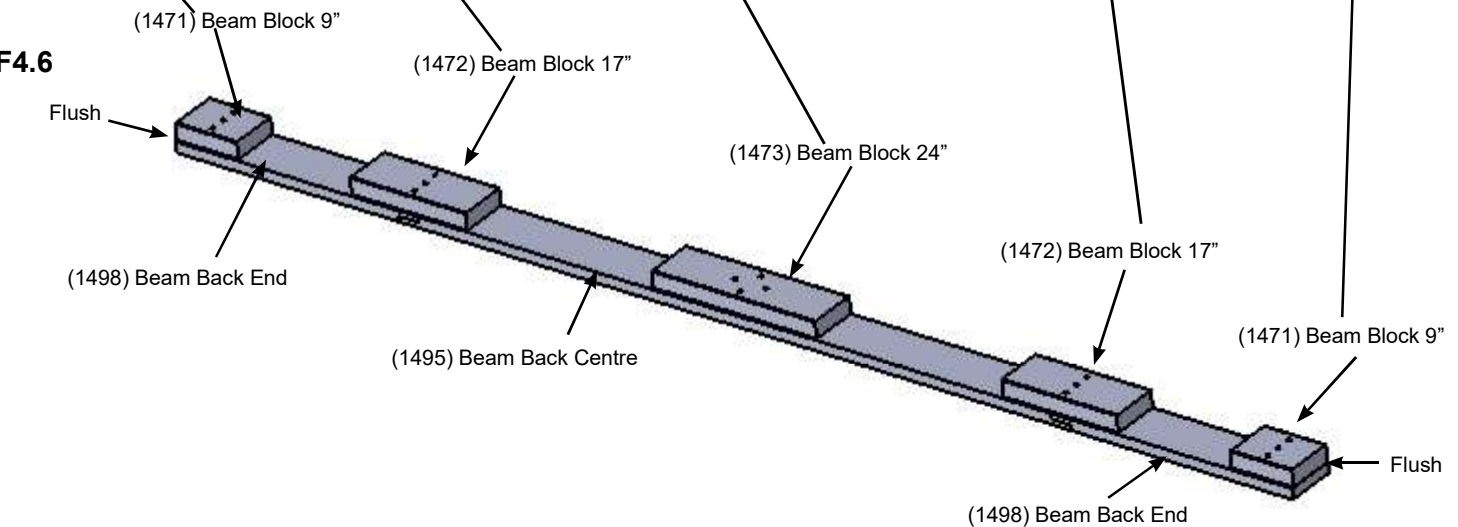
F4.4



F4.5



F4.6



Wood Parts

- 4 x (1471) Beam Block 9"
- 4 x (1472) Beam Block 17"
- 2 x (1473) Beam Block 24"
- 2 x (1495) Beam Back Centre
- 4 x (1498) Beam Back End

Hardware

- 16 x 5/16 T-Nut

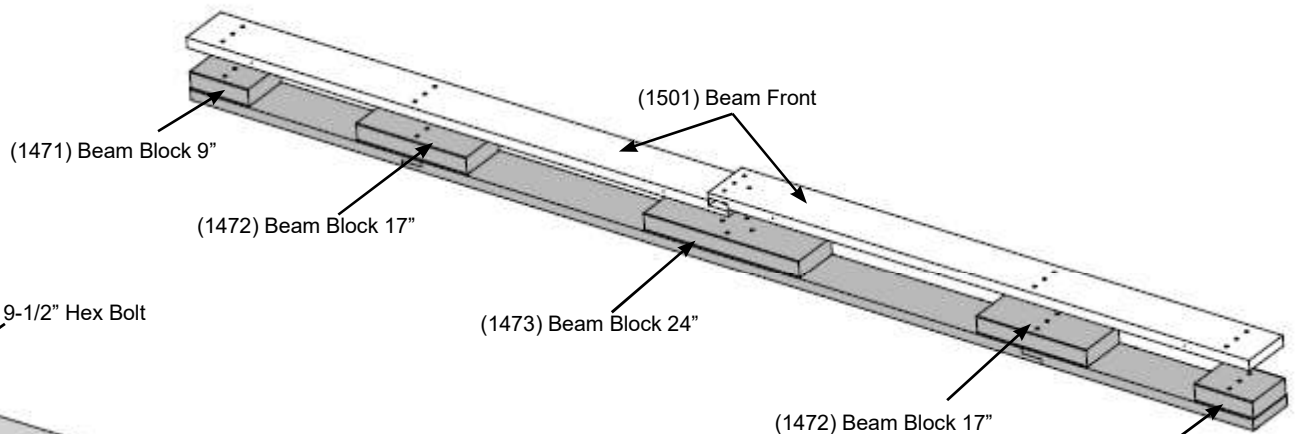
Step 4: Side Beam Assembly

Part 3

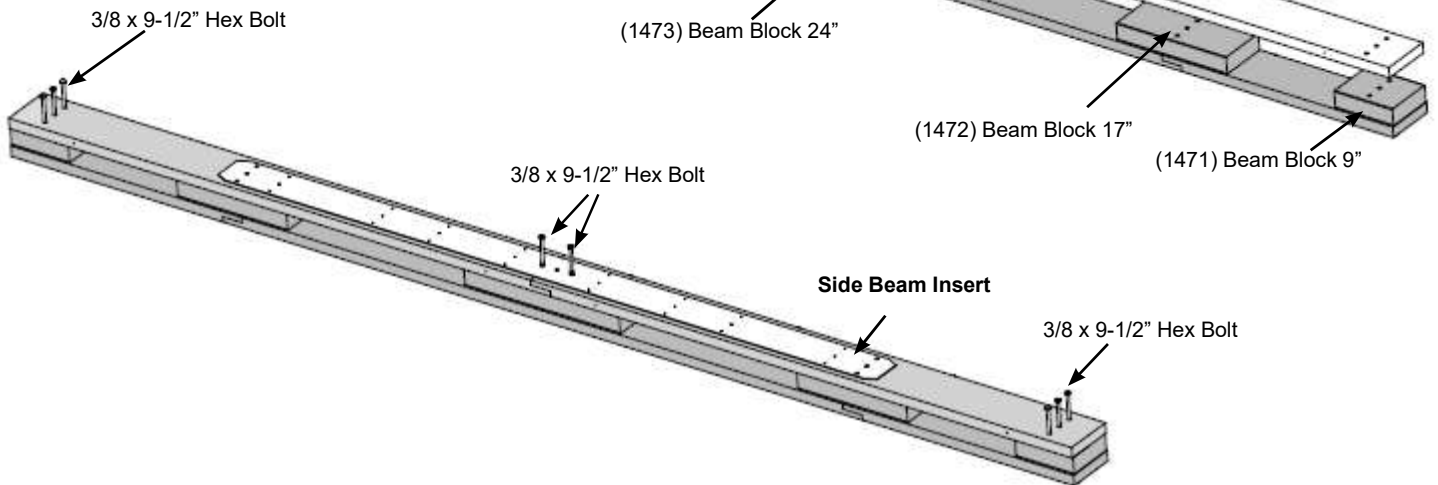
F: Place two (1501) Beam Fronts on top of the Beam Blocks from previous step. Align holes of the (1501) Beam Front to the holes on the outside faces of the Beam Blocks. Match the bolt holes in both beam assemblies and all Beam Blocks. (F4.7)

G: Place one Side Beam Insert on both (1501) Beam Fronts and align holes using six 3/8 x 9-1/2" Hex Bolts through the bolt holes at each end and two 3/8 x 9-1/2" Hex Bolts at the centre. These bolts temporarily secure the beam assembly ends for when Beam Top Assembly is fastened. (F4.8, F4.9 and F4.10)

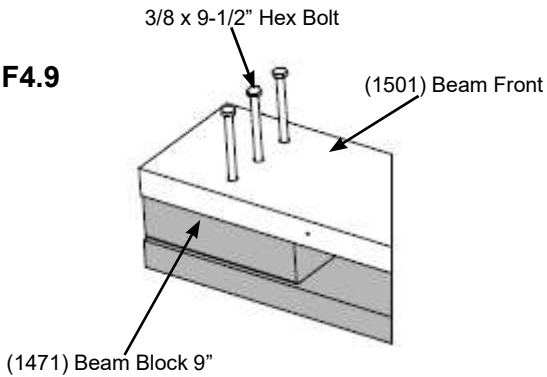
F4.7



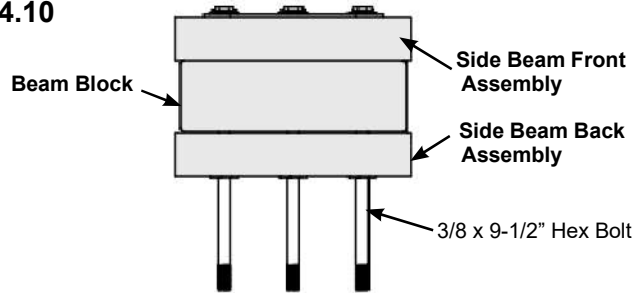
F4.8



F4.9



F4.10



Wood Parts

4 x (1501) Beam Front

Components

2 x Side Beam Insert

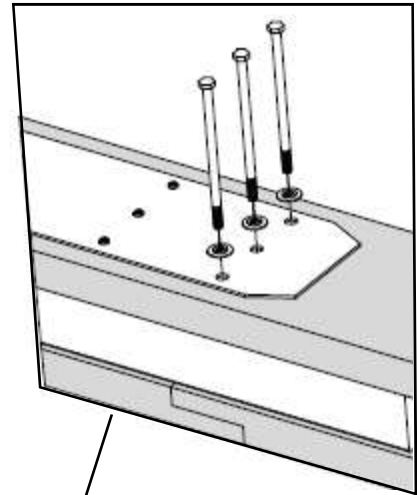
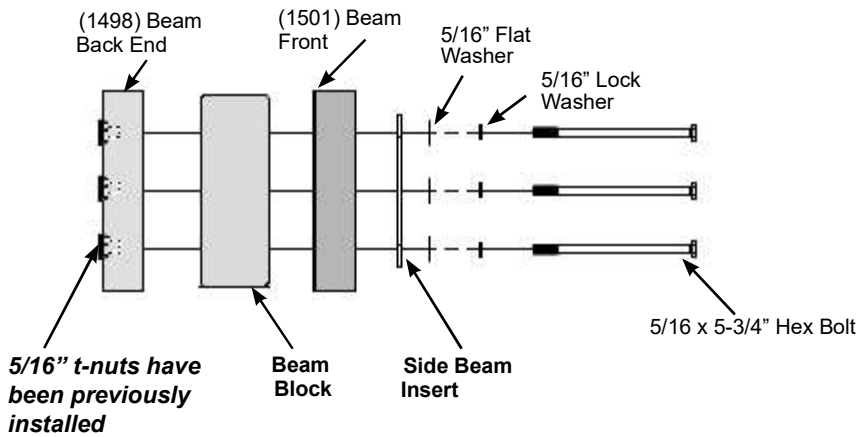
Hardware

8x 3/8 x 9-1/2" Hex Bolt
(For placement purposes only)

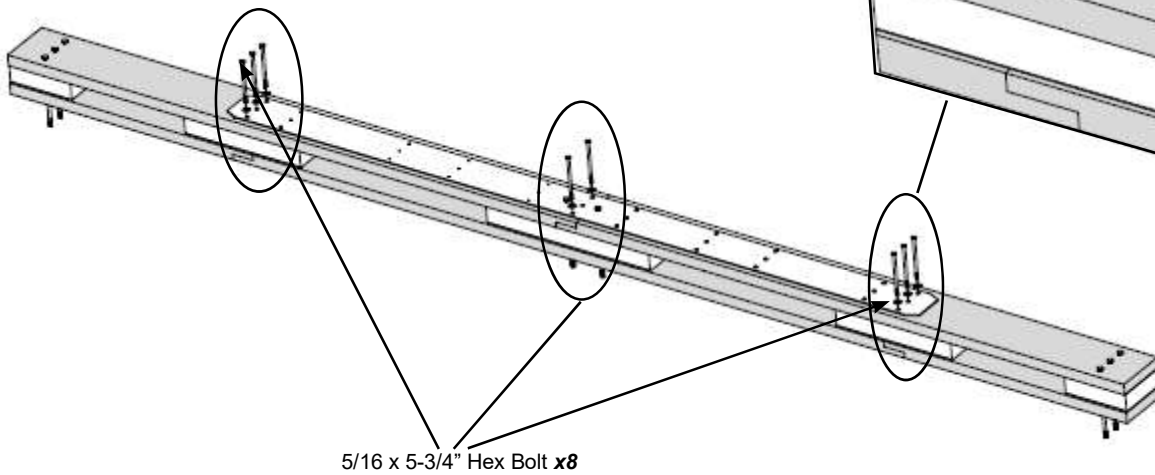
Step 4: Side Beam Assembly Part 4

H: Connect Beam Assemblies, Beam Blocks and Beam Insert together with eight 5/16 x 5-3/4" Hex Bolts (with 5/16" lock washer, and 5/16" flat washer). *The 5/16" t-nut has been previously installed in Part 2 of this Step.* (F4.11 and F4.12). **Keep bolts loose.**

F4.11



F4.12



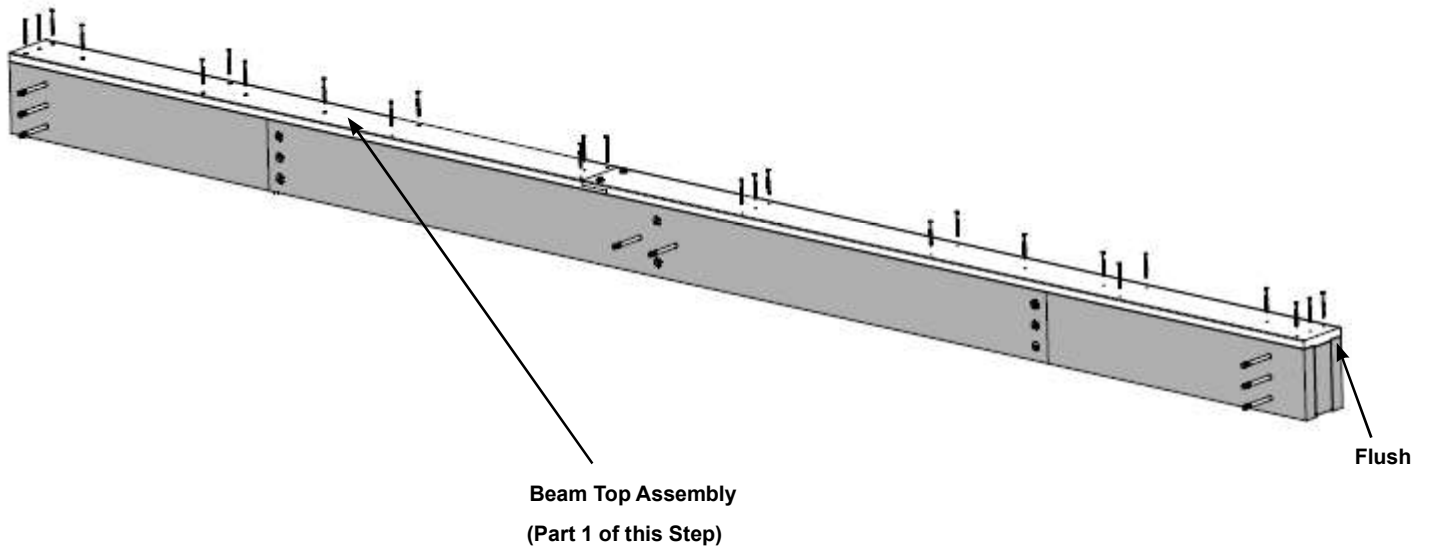
Hardware

16 x 5/16 x 5-3/4" Hex Bolt
(5/16" lock washer, 5/16" flat washer)

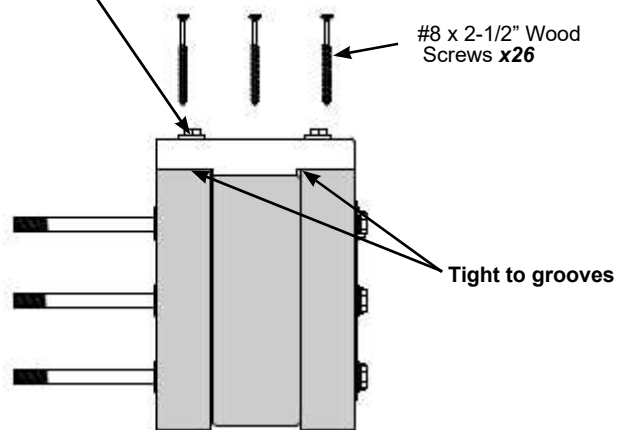
Step 4: Side Beam Assembly Part 5

I: With a helper and the 3/8" Bolts still in place, flip the assembly up and place the Beam Top assembly from Part 1 so the groove sits tight and flush with the beam assembly then fasten with (26) #8 x 2-1/2" Wood Screws. (F4.13 and F4.14)

F4.13



F4.14



Hardware

52 x #8 x 2-1/2" Wood Screws

Step 4: Side Beam Assembly

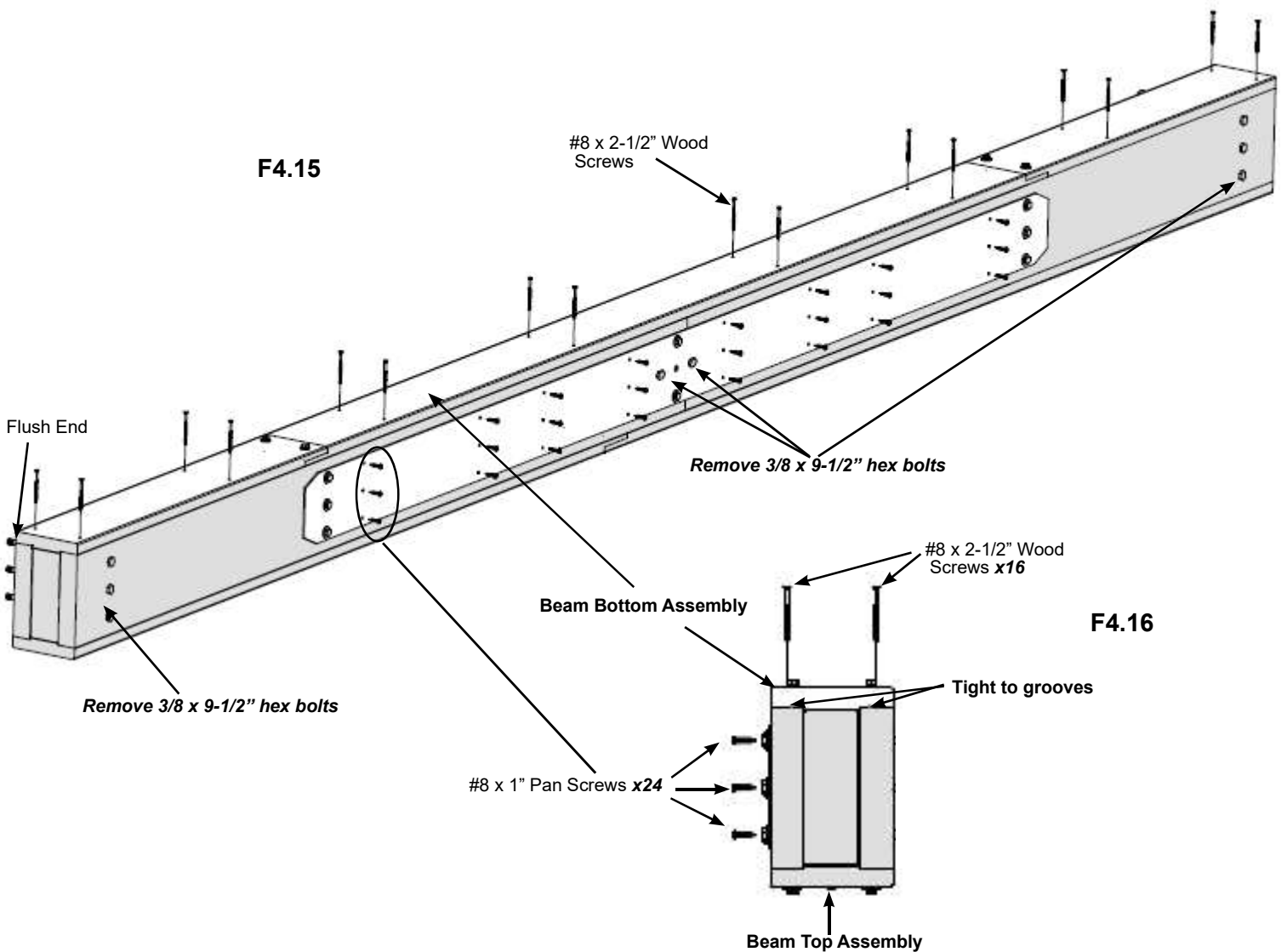
Part 6

J: Flip the assembly over and place Beam Bottom Assembly from Part 1 so the groove sits tight and flush to the beam assemblies and fasten with (16) #8 x 2-1/2" Wood Screws. (F4.15 and F4.16)

Remove the 3/8" bolts from each end of this assembly.

K: Fasten Side Beam Insert to the beam with (24) #8 x 1" Pan Screws. (F4.15 and F4.16)

Before continuing onto the next step, tighten all bolts



Hardware

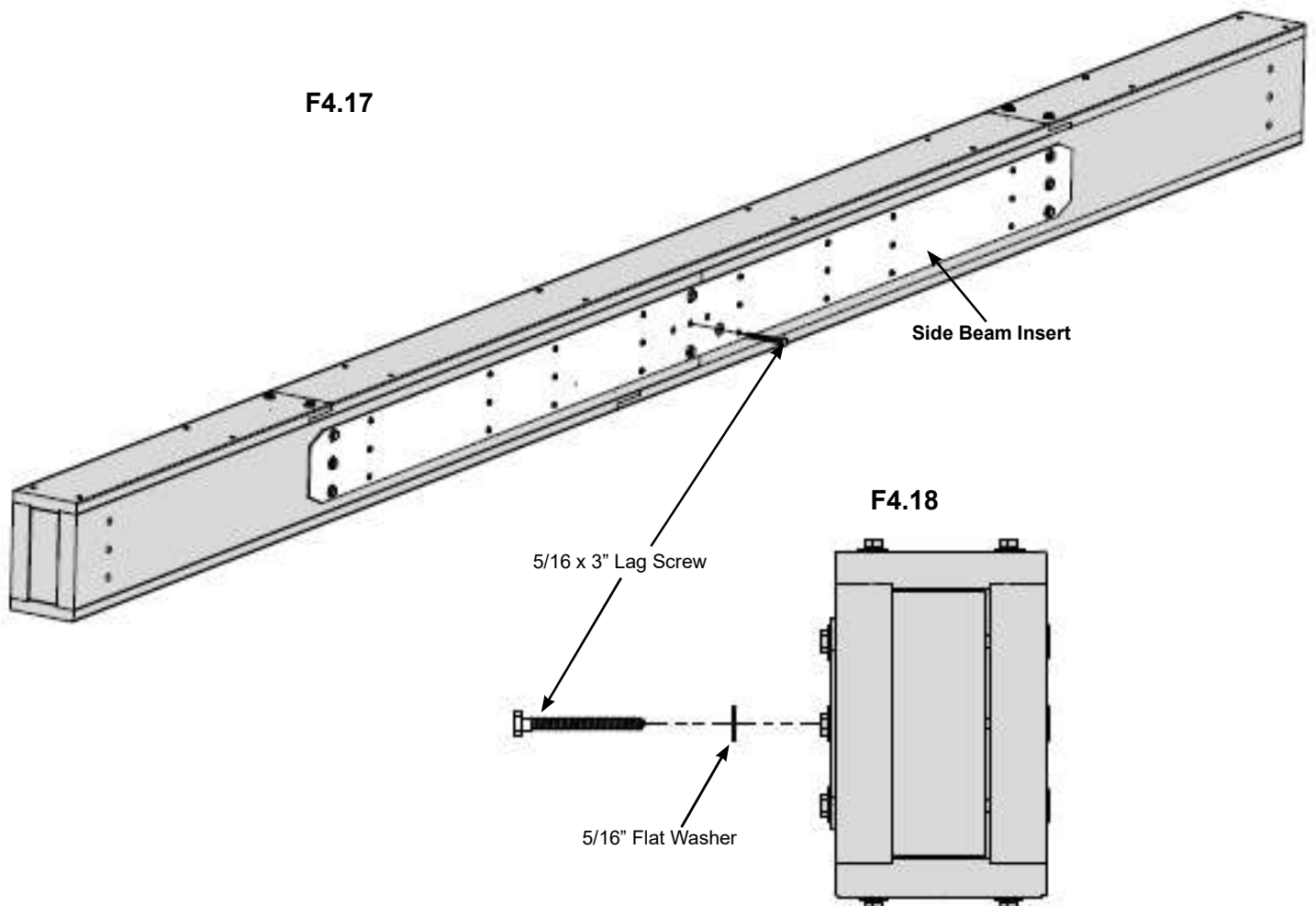
48 x #8 x 1" Pan Screws

32 x #8 x 2-1/2" Wood Screws

Step 4: Side Beam Assembly Part 7

L: Fasten Side Beam Insert to Side Beam Assembly with one 5/16 x 3" Lag Screw (with 5/16" flat washer) . (F4.17 and F4.18)

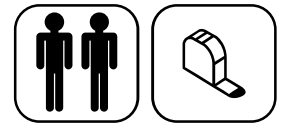
M: Repeat Steps A-L for a second Side Beam Assembly.



Hardware

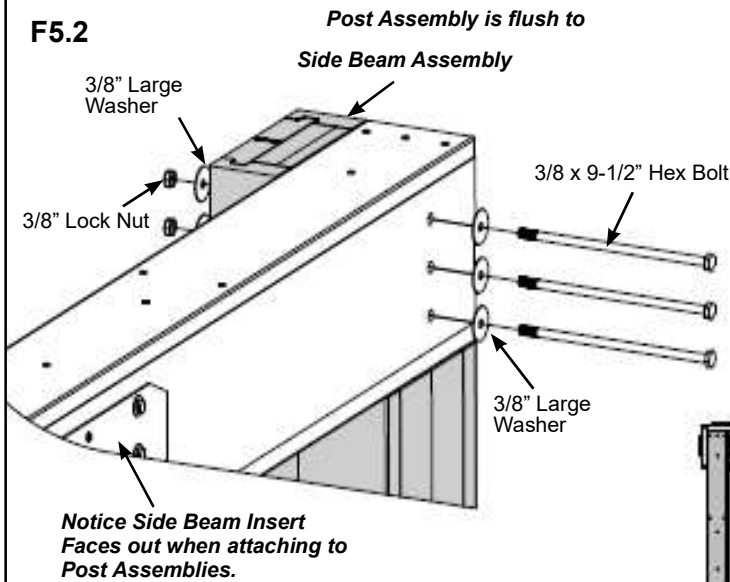
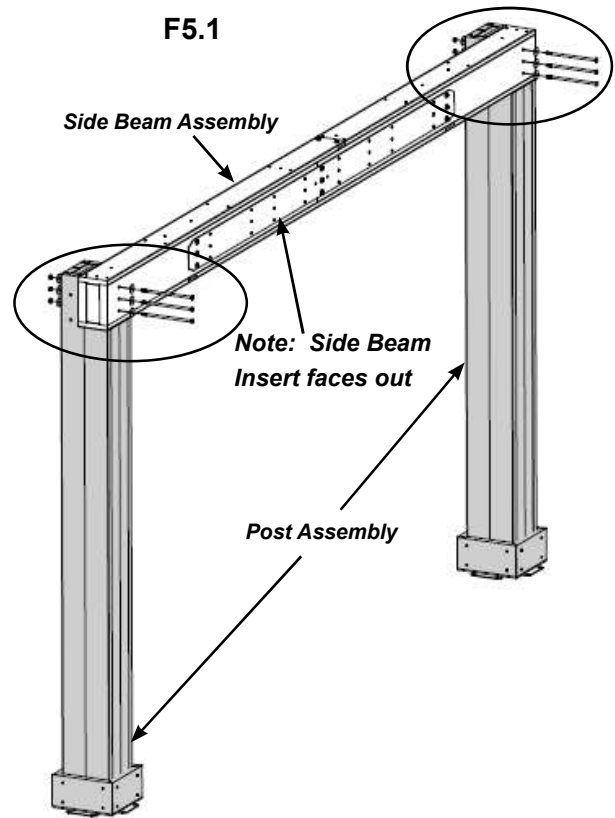
2 x 5/16" x 3" Lag Screw (5/16" Flat Washer)

Step 5: Frame Assembly and Anchoring Part 1

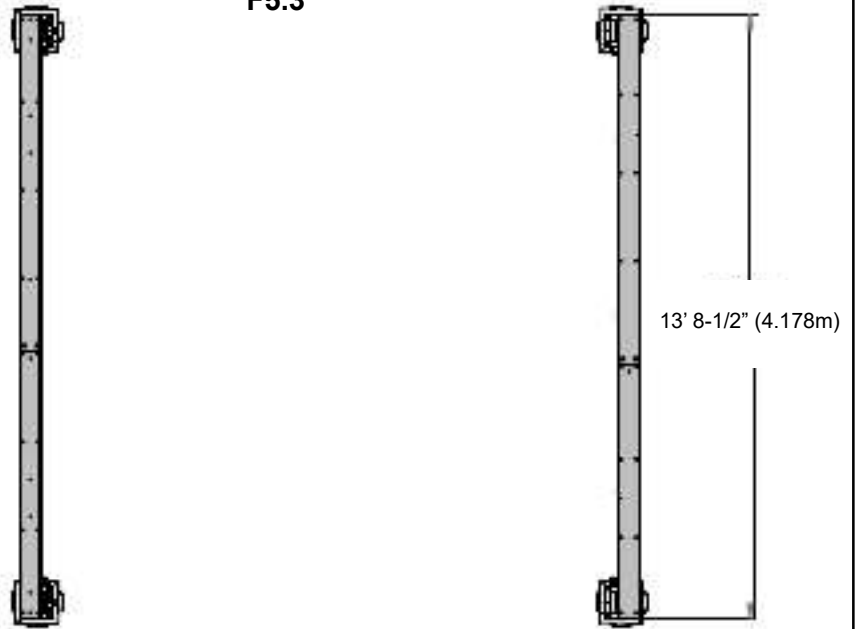


A: On a hard flat surface place one Side Beam Assembly against the outside of two Posts, flush to the tops and outside corners. **The beam sits in the notch out of the Post.** Attach Beam to Posts with three 3/8 x 9 1/2" Hex Bolt (with two 3/8" large washers and one 3/8" lock nut) per Post. The distance from the outside of one Post to the outside of the second Post should be 13' 8-1/2" (4.178 m). (F5.1, F5.2 and F5.3)

B: Repeat with the other Side Beam Assembly connection to Post Assemblies.



F5.3



Hardware

12 x 3/8 x 9-1/2" Hex Bolt (3/8" large washer x 2, 3/8" lock nut)

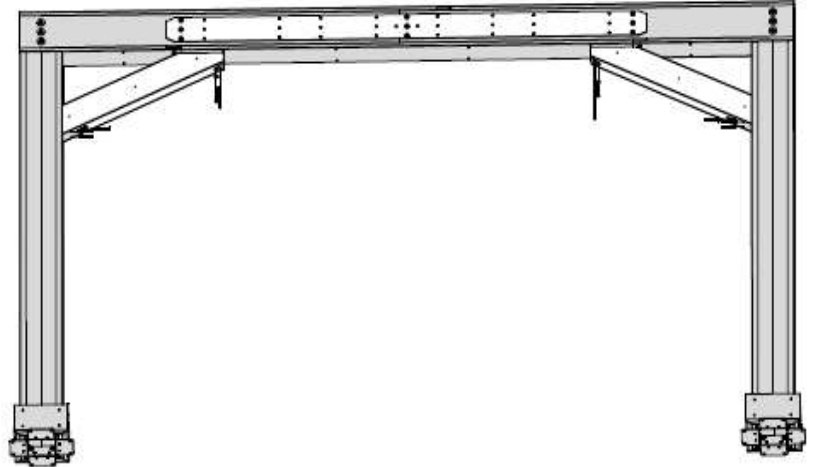
Step 5: Frame Assembly and Anchoring Part 2



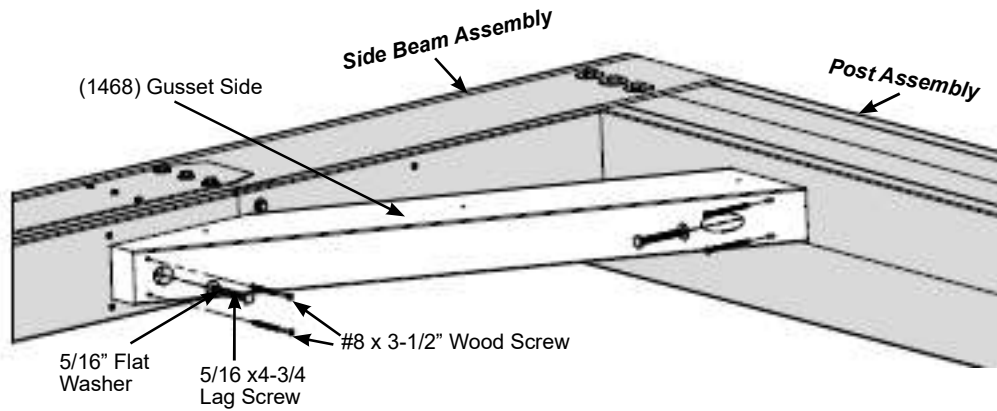
C: Square the Beam to the Post then attach (1468) Gusset Side using (4) #8 x 3-1/2" Wood Screws per Gusset. (F5.4, F5.5 and F5.6)

D: Attach one (1468) Gusset Side per Beam\Post corner joint using two 5/16 x 4-3/4" Lag Screw (with two 5/16" flat washers) per Gusset. (F5.4, F5.5 and F5.6)

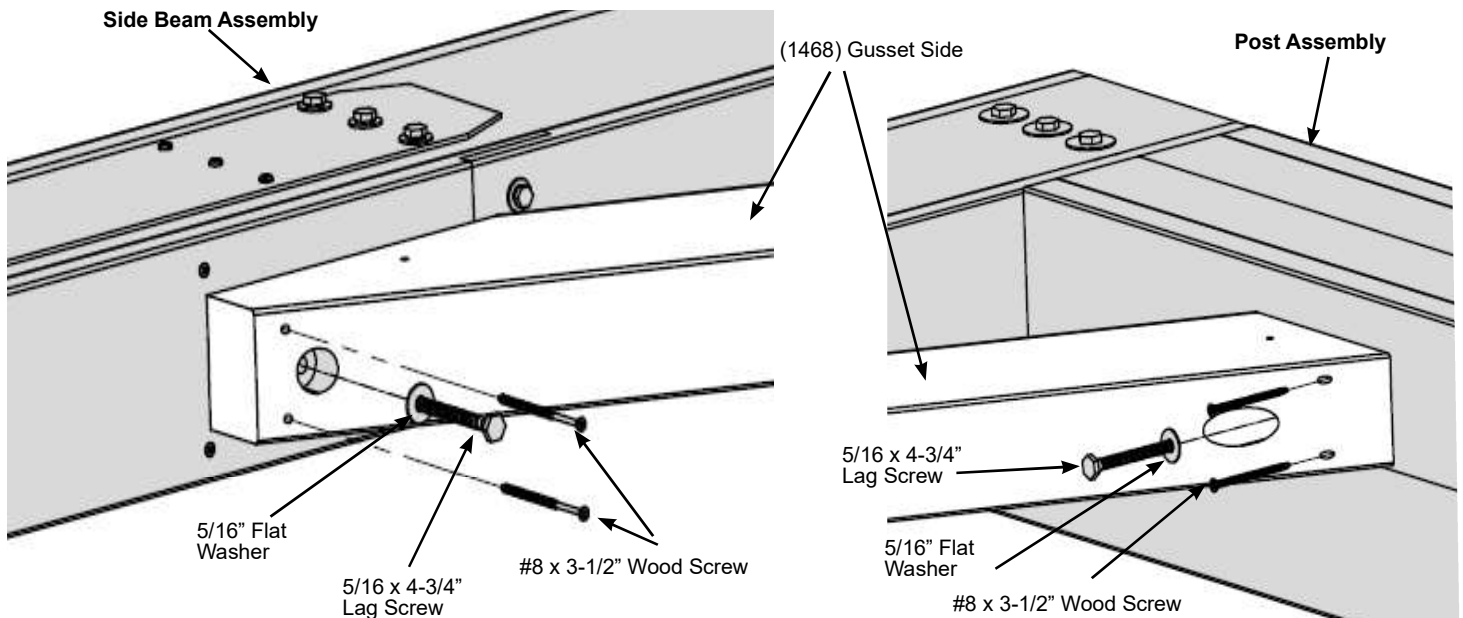
F5.4



F5.5



F5.6



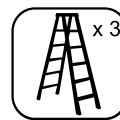
Wood Parts

4 x (1468) Gusset Side

Hardware

8 x 5/16 x 4-3/4" Lag Screw (5/16" flat washer)
16 x #8 x 3-1/2" Wood Screw

Step 5: Frame Assembly and Anchoring Part 3



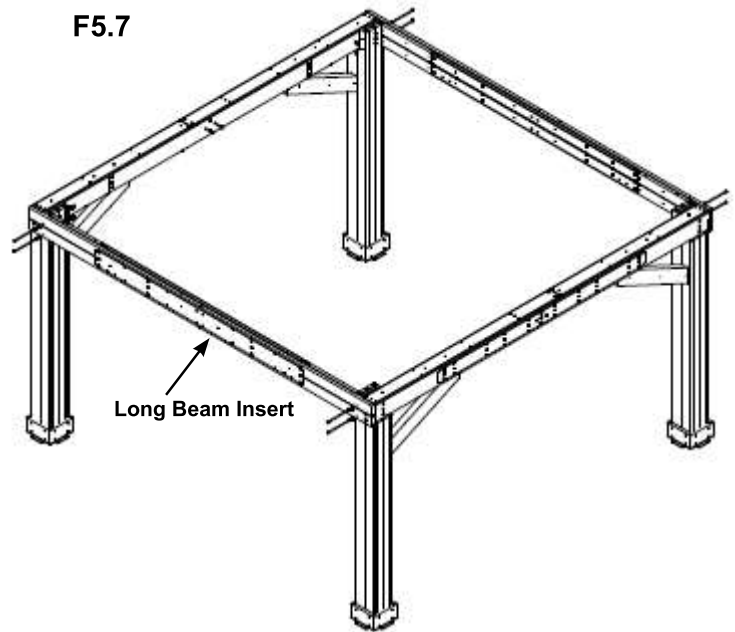
E: Move your Post/Beam Assembly to the final location. Make sure the ground is flat and level before continuing assembly.

F: With helpers stand up Post/Beam Assembly. Place one Front Beam Assembly against the outside of two posts with Long Beam Insert facing out, flush to the tops and outside corners and tight to Side Beam Assembly. Notice bolt hole orientation on the Front Beam Assembly. Attach Beam to Post with two 3/8 x 11" Hex Bolt (with two 3/8" large washers and one 3/8" lock nut) per Post. The distance from the outside of one Post to the outside of the second Post should be 14' 1/2" (F 5.9). Continue until both Beam Assemblies are attached and the corners are tight together. (F5.7 and F5.8)

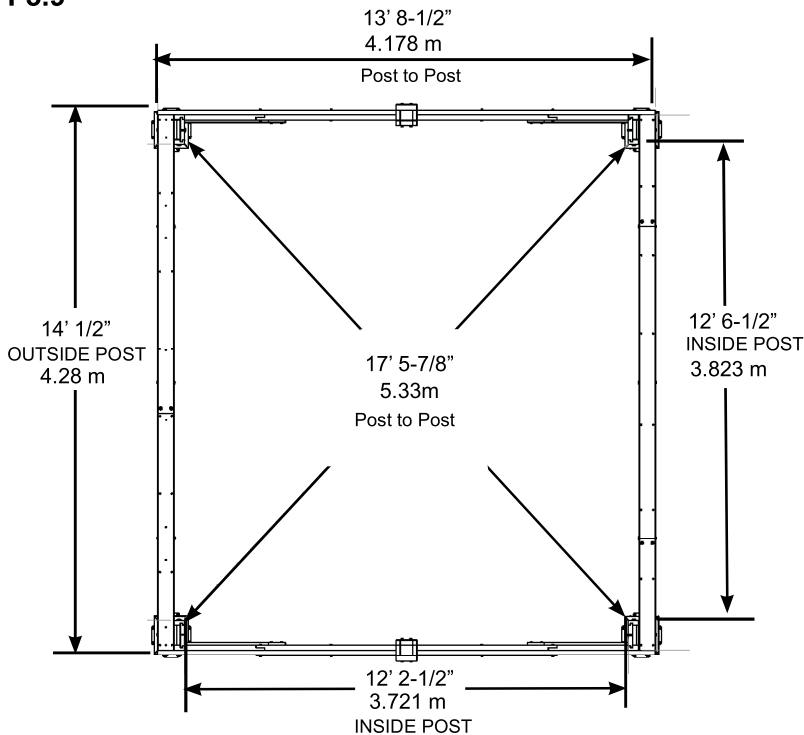
See F5.9 for accurate positioning of Posts.

G: Repeat above for other side.

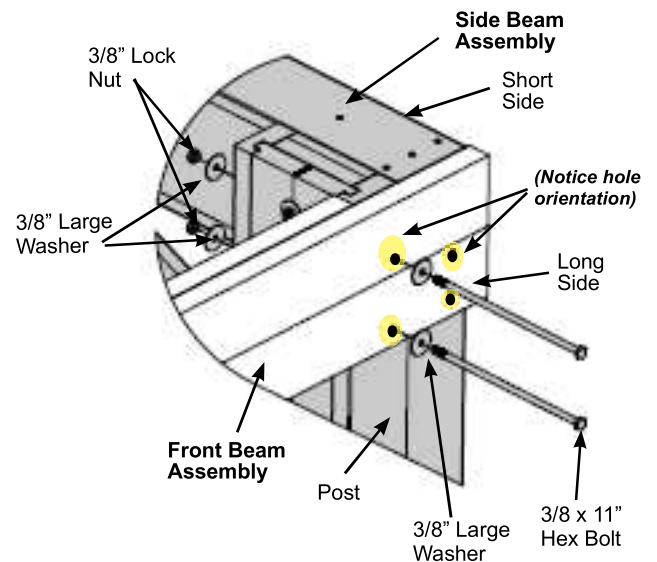
F5.7



F5.9



F5.8



Hardware

8 x 3/8 x 11" Hex Bolt (3/8" large washer x 2, 3/8" lock nut)

Step 5: Frame Assembly and Anchoring Part 4

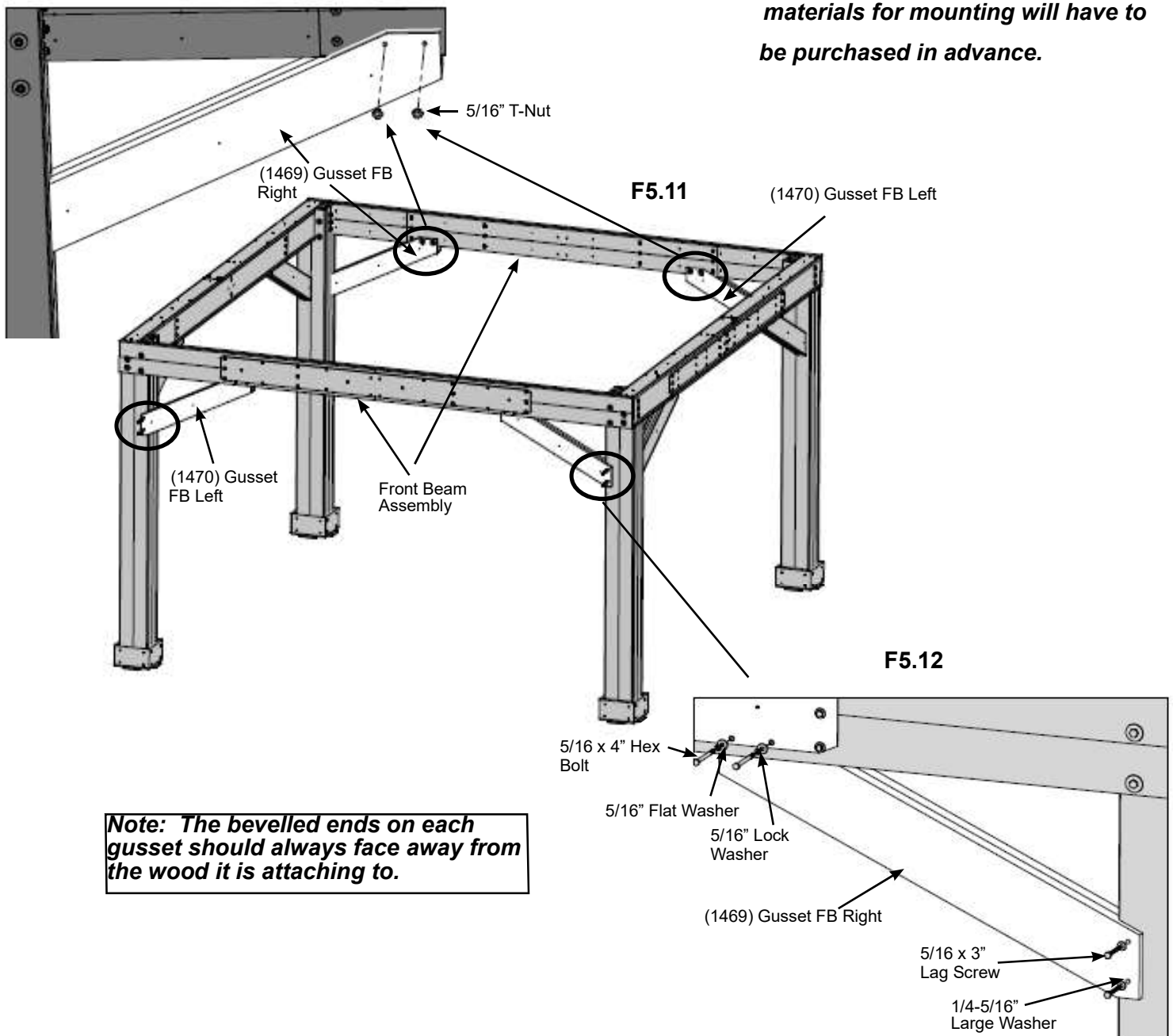


H: Make sure each corner is square and level then attach one (1469) Gusset FB Right and (1470) Gusset FB Left to each Front Beam and Post Assembly with two 5/16 x 4" Hex Bolt (with 5/16" flat washer, 5/16" Lock Washer, 5/16" T-Nut). Pre-drill with a 1/8" drill bit and attach two 5/16 x 3" Lag Screw (with 1/4-5/16" large washer) as shown below. F5.10, F5.11 and F5.12) **Make sure assembly is square.**

I: Depending on what you are placing the Pavilion on will determine how you anchor it to that surface. Please refer to pages 6 and 7 for installation examples.

F5.10 - Inside View

Any hardware or extra materials for mounting will have to be purchased in advance.



Note: The bevelled ends on each gusset should always face away from the wood it is attaching to.

Wood Parts

- 2 x (1469) Gusset FB Right
- 2 x (1470) Gusset FB Left

Hardware

- 8 x 5/16 x 3" Lag Screw (1/4-5/16" large washer)
- 8 x 5/16 x 4" Hex Bolt (5/16" flat washer, 5/16" lock washer, 5/16" T-Nut)

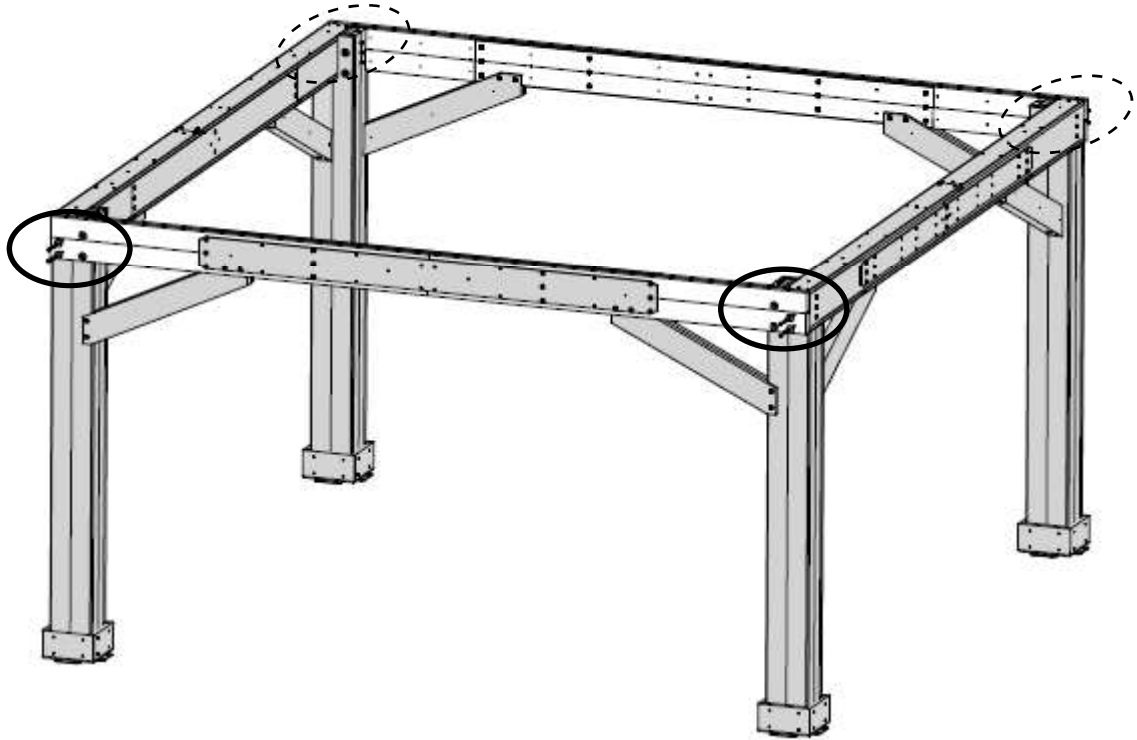
Step 5: Frame Assembly and Anchoring Part 5



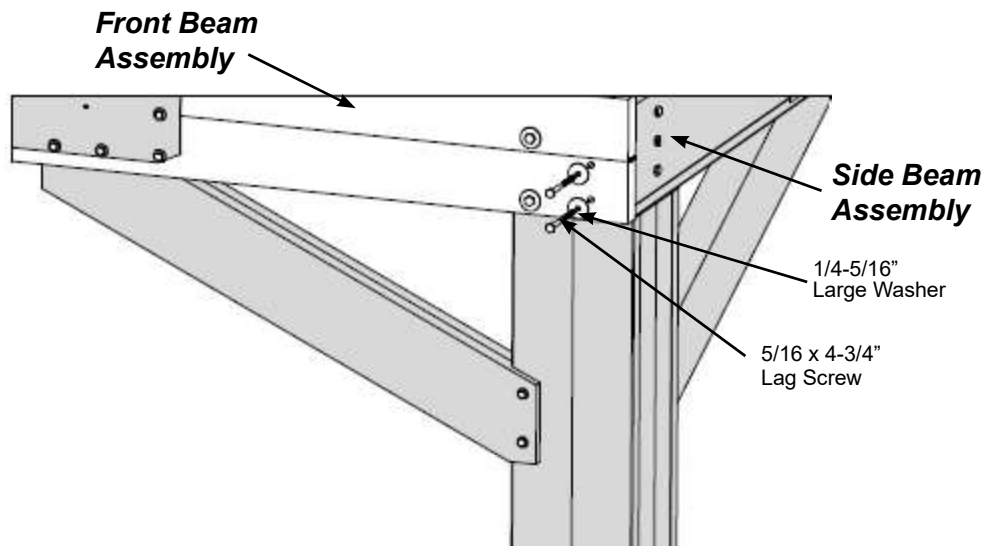
J: Using 5/16" x 4-3/4" Lag Screws (with 1/4"-5/16" Large Washers) pre-drill with 1/8" drill bit and fasten Front Beam Assembly to each Side Beam Assembly end. (F5.13 and F5.14)

Pre drill with 1/8" (3mm) drill bit prior to fastening

F5.13



F5.14



Hardware

8 x 5/16 x 4-3/4" Lag Screw (1/4-5/16" Large washer)

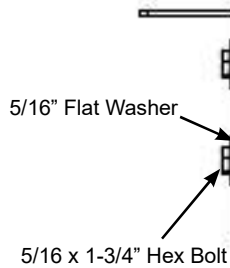
Step 6: Centre Truss Assembly

Part 1

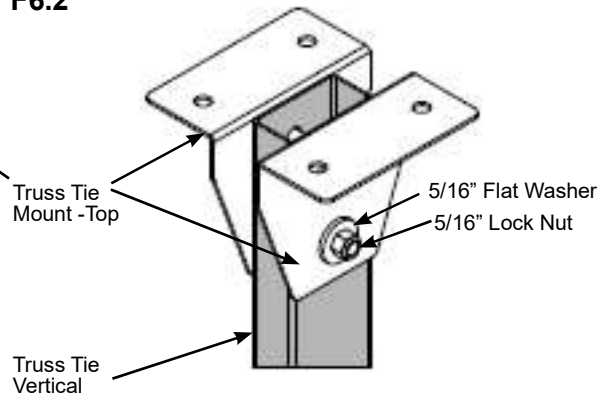
A: Using 5/16" x 1-3/4" Hex Bolts (with two 5/16" Flat Washers and 5/16" Lock Nut) connect two Truss Tie Mount -Tops to the Truss Tie Vertical. The Tie Mount flanges must run flat to each other and parallel to the top of Truss Tie Vertical. (F6.1, F6.2, F6.3 and F6.4)

Note: *The hole pattern is different at the top of the Truss Tie Vertical.* (F6.3 and F6.4)

F6.1



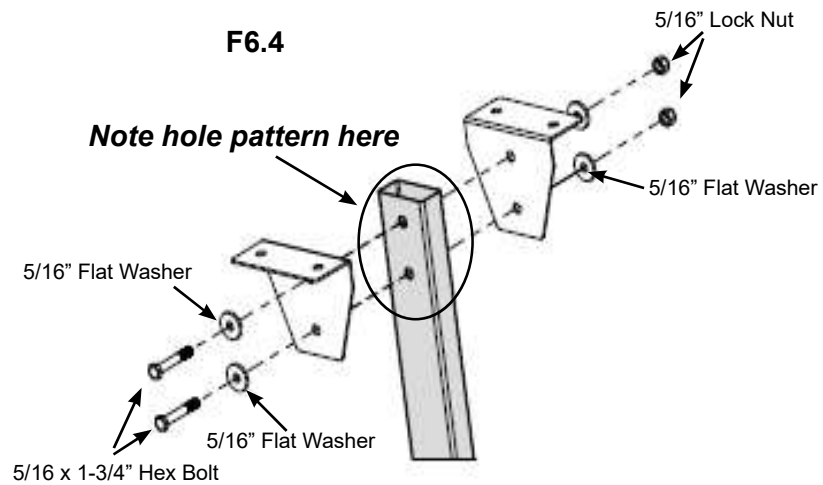
F6.2



F6.3



F6.4



Components

- 2 x Truss Tie Mount -Top
- 1 x Truss Tie Vertical

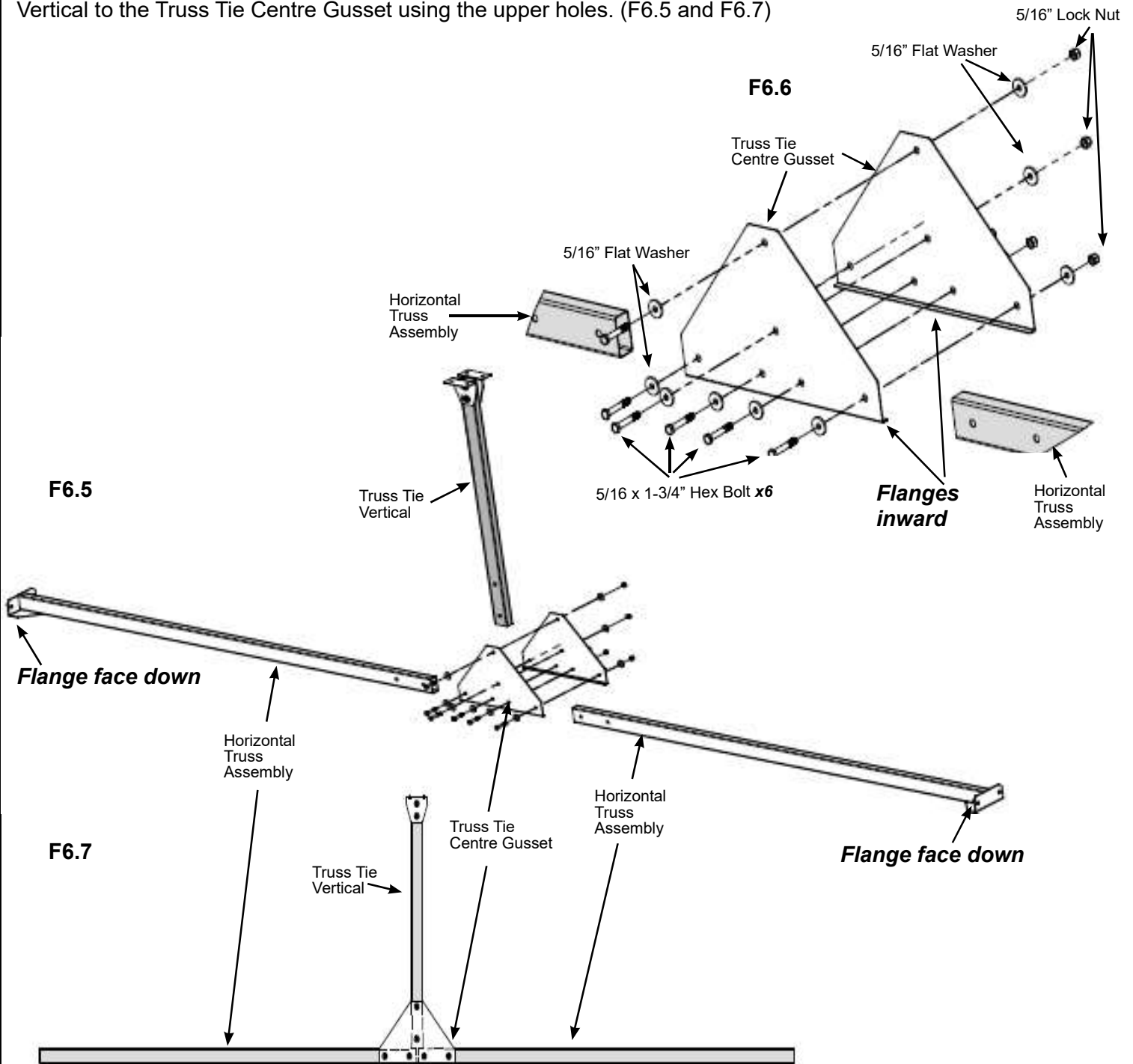
Hardware

- 2 x 5/16 x 1-3/4" Hex Bolt
- (2x 5/16" Flat washer, 5/16" Lock nut)

Step 6: Centre Truss Assembly Part 2

A: Using four 5/16" x 1-3/4" Hex Bolts (with two 5/16" Flat Washers and 5/16" Lock Nut) connect two Horizontal Truss Assemblies to the Truss Tie Centre Gusset with Truss Tie Centre Gusset flanges turned inward. (F6.5, F6.6 and F6.7) **Note: The flange of the Horizontal Truss Assembly faces down when installing.** (F6.5)

B: Using two 5/16" x 1-3/4" Hex Bolts (with two 5/16" Flat Washers and 5/16" Lock Nut) connect the Truss Tie Vertical to the Truss Tie Centre Gusset using the upper holes. (F6.5 and F6.7)



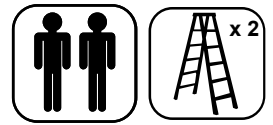
Components

2 x Horizontal Truss Assembly
2 x Truss Tie Centre Gusset

Hardware

6 x 5/16 x 1-3/4" Hex Bolt
(2x 5/16" Flat washer, 5/16" Lock nut)

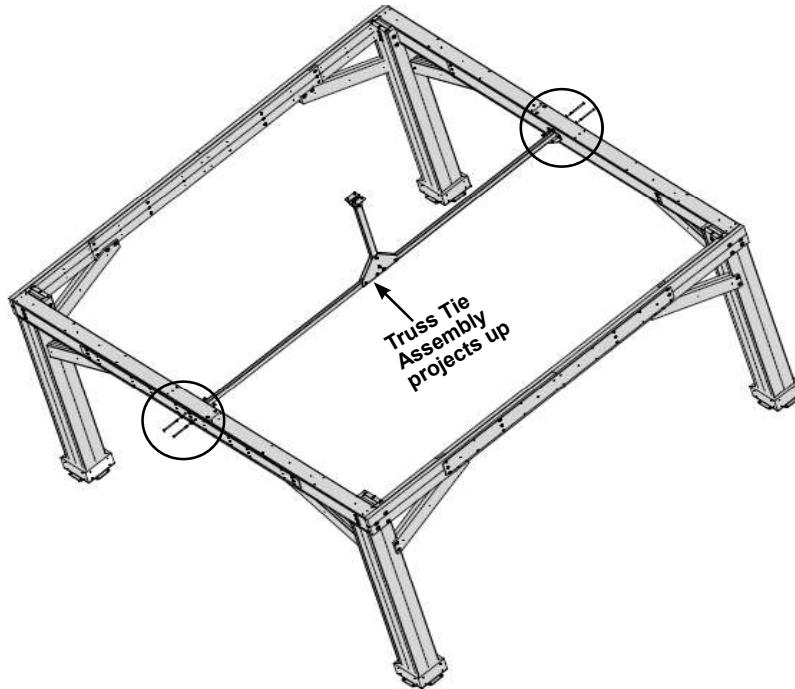
Step 6: Centre Truss Assembly Part 3



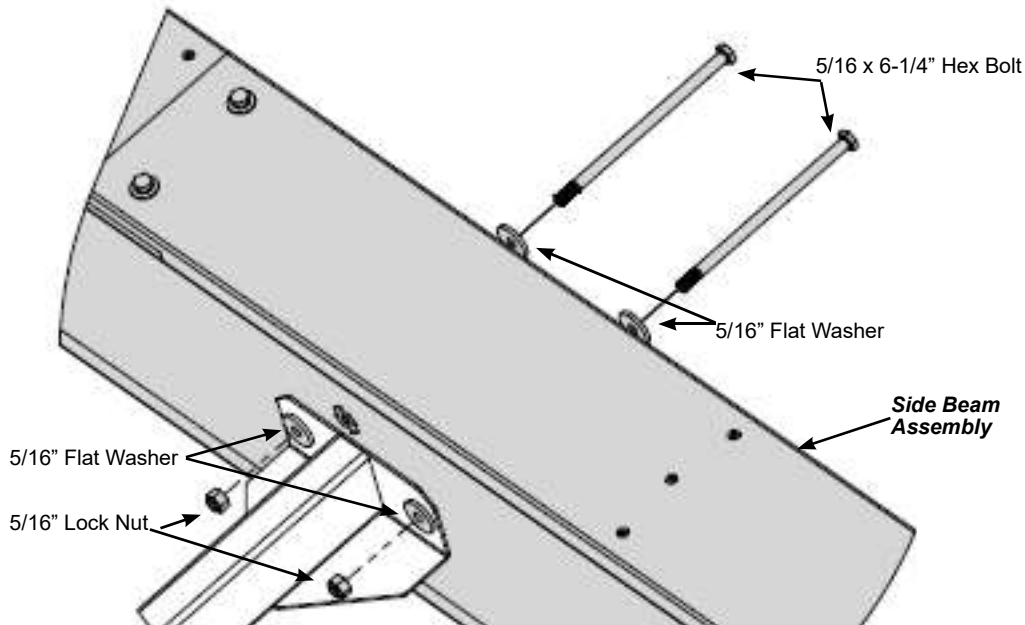
A: Using two 5/16" x 6-1/4" Hex Bolts (with two 5/16" Flat Washers and 5/16" Lock Nut) connect Truss Tie Assembly to each Side Beam at the centre. (F6.8 and F6.9)

Note: *The centre of the Truss Tie Assembly projects upward.* (F6.8)

F6.8



F6.9

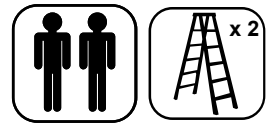


Hardware

4 x 5/16 x 6-1/4" Hex Bolt

(2x 5/16" Flat washer, 5/16" Lock nut)

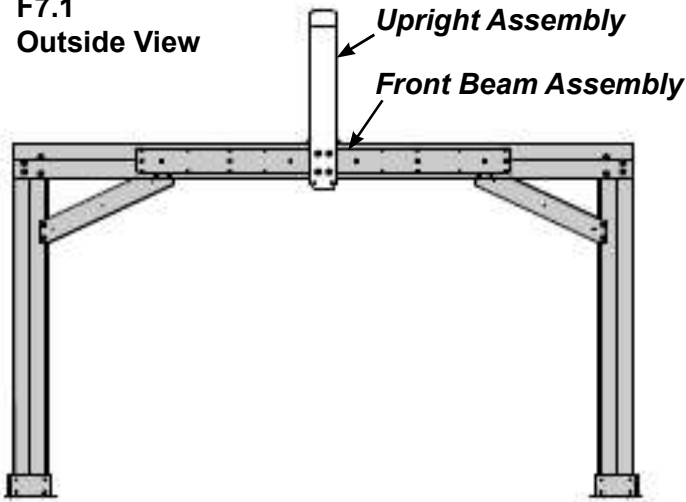
Step 7: Upright Assembly



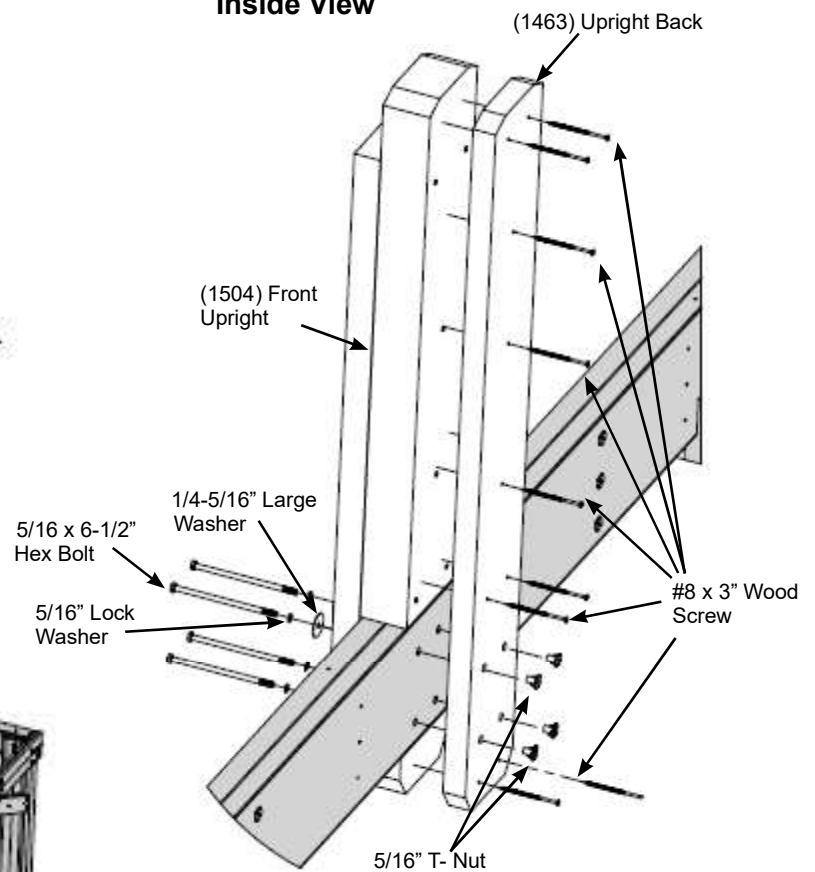
A: Create two Upright Assemblies taking one (1504) Front Upright, one (1463) Upright Back and placing them on either side of the Front Beam Assembly. (1504) Front Upright faces outward while (1463) Upright Back faces inward. Fasten to the Front Beam using (4) 5/16" x 6-1/2" Hex Bolts (1/4-5/16" Large Flat Washers, 5/16" Lock washer, 5/16" T-Nut) per Upright Assembly. (F7.1 and F7.2).

B: From inside of the pavilion, fasten with (9) #8 x 3" Wood Screws per Upright Assembly. (F7.1 and F7.2).

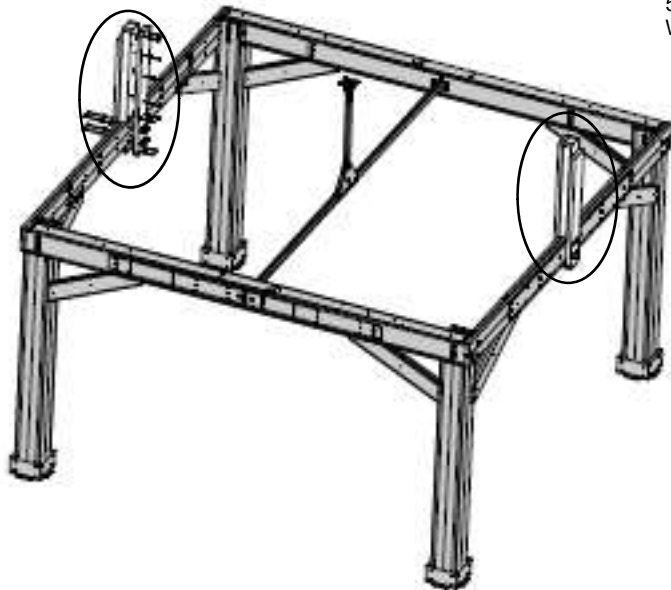
F7.1
Outside View



F7.2
Inside View



F7.3



Wood Parts

- 2 x (1463) Upright Back
- 2 x (1504) Front Upright

Hardware

- 18 x #8 x 3" Wood Screw
- 8 x 5/16" x 6-1/2" Hex Bolt (1/4-5/16" Large Washer, 5/16" Lock washer, 5/16" T-Nut)

Step 8: Frame Left Roof Panel Part 1



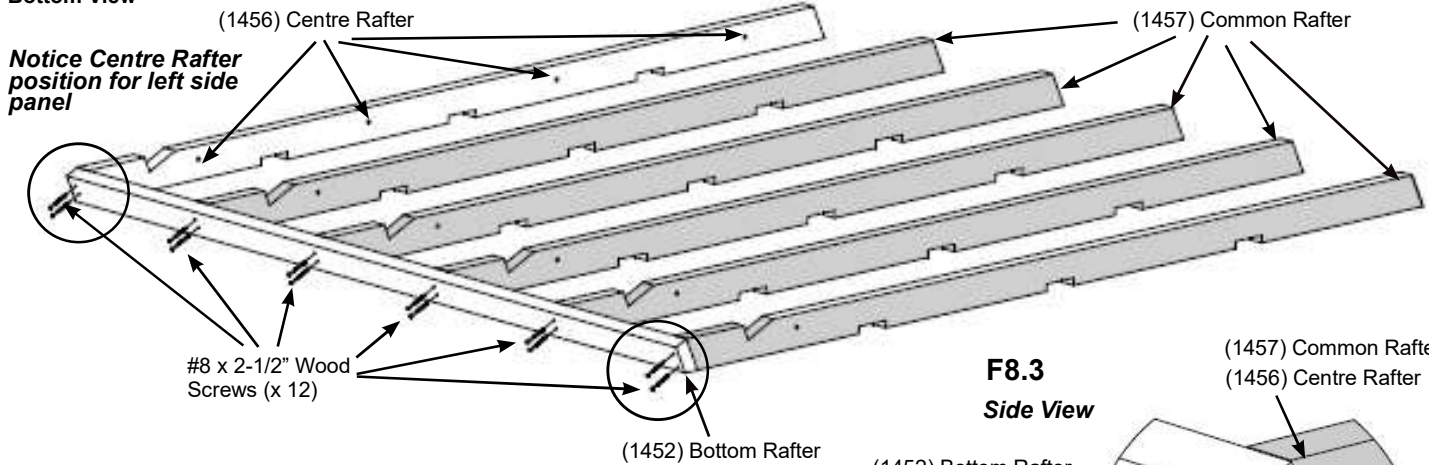
A: Lay out five (1457) Common Rafters and one (1456) Centre Rafter on a hard flat surface as shown in F8.1.

B: Place one (1452) Bottom Rafter on the bottom of the one (1456) Centre Rafter and five (1457) Common Rafter flush to the outside edge and attach (1452) Bottom Rafter to each of the Rafters with two #8 x 2-1/2" Wood Screws per board. The screws are inserted at an angle. (F8.1 and F8.3).

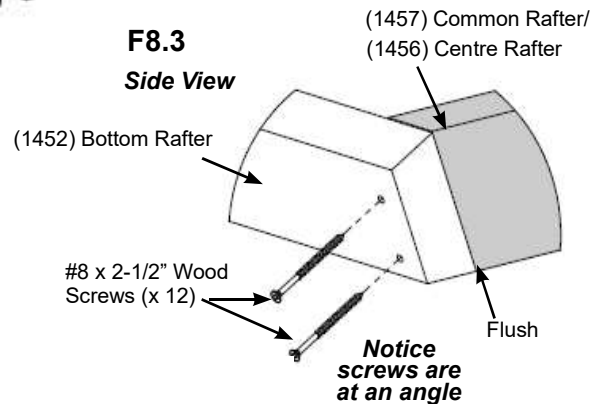
C: Place one (1453) Top Rafter and attach to each of the Rafters with two #8 x 2-1/2" Wood Screws per board. (F8.2)

Repeat steps A - C for another Left Roof Panel.

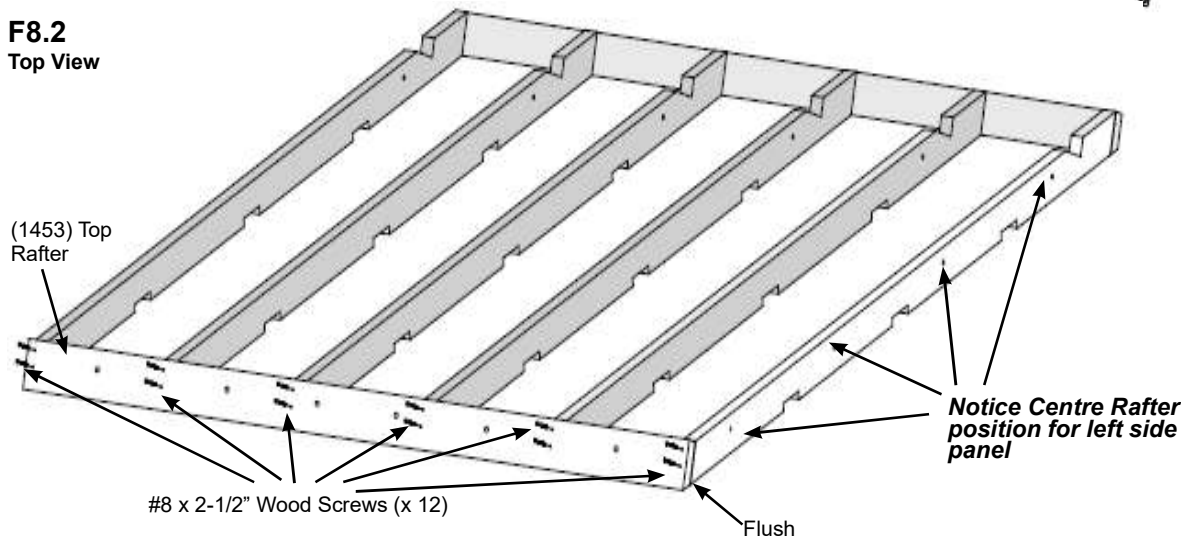
F8.1
Bottom View



F8.3
Side View



F8.2
Top View



Wood Parts

- 2 x (1453) Top Rafter
- 2 x (1456) Centre Rafter
- 10 x (1457) Common Rafter
- 2 x (1452) Bottom Rafter

Hardware

- 48 x #8 x 2-1/2" Wood Screw

Step 8: Frame Right Roof Panel Part 2



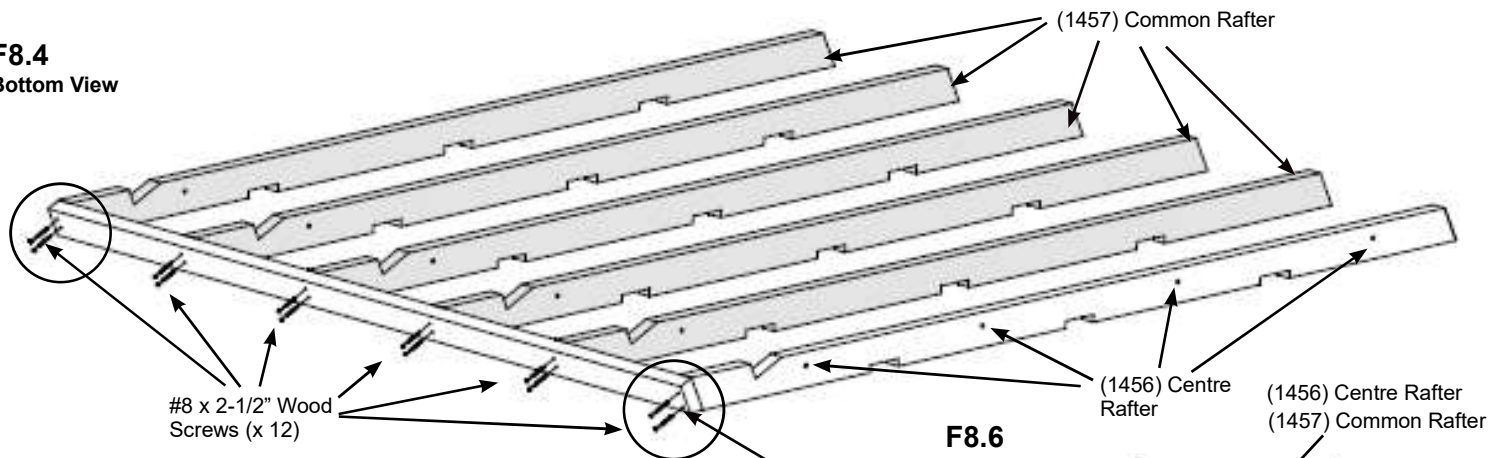
D: Lay out five (1457) Common Rafters and one (1456) Centre Rafter on a hard flat surface as shown in F8.4.

E: Place one (1452) Bottom Rafter on the bottom of the one (1456) Centre Rafter and five (1457) Common Rafter flush to the outside edge and attach (1452) Bottom Rafter to each of the Rafters with two #8 x 2-1/2" Wood Screws per board. The screws are inserted at an angle. (F8.4 and F8.6)

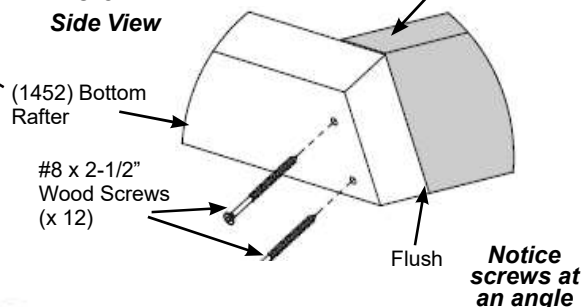
F: Place one (1453) Top Rafter and attach to each of the Rafters with two #8 x 2-1/2" Wood Screws per board. (F8.5)

Repeat steps D - F for another Right Roof Panel.

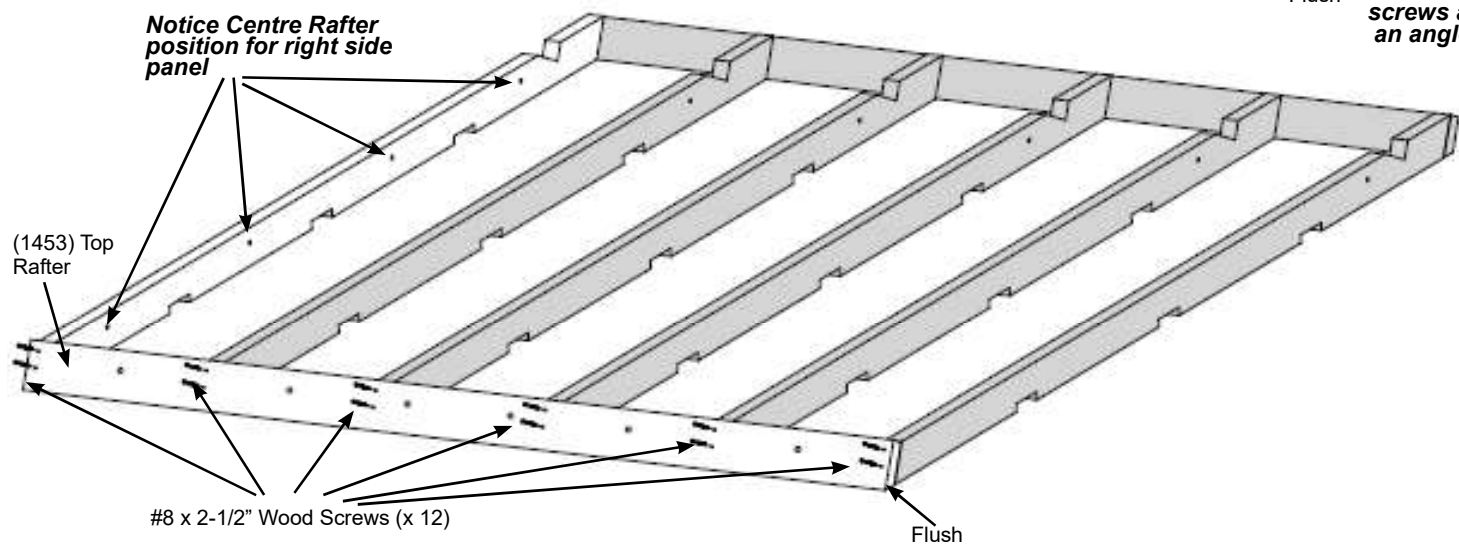
F8.4
Bottom View



F8.6
Side View



F8.5
Top View



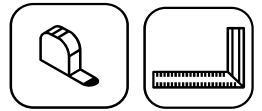
Wood Parts

- 2 x (1453) Top Rafter
- 2 x (1456) Centre Rafter
- 10 x (1457) Common Rafter
- 2 x (1452) Bottom Rafter

Hardware

- 48 x #8 x 2-1/2" Wood Screw

Step 8: Frame Roof Panel Part 3



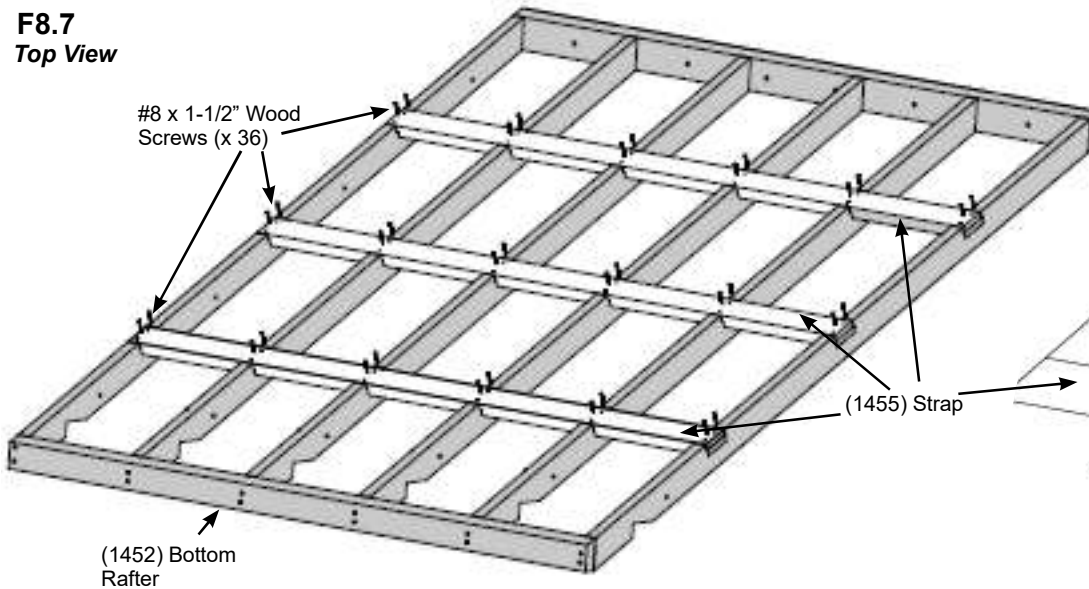
G: Place three (1455) Straps onto all supporting rafters and make sure the assembly is square, then attach (1455) Straps with twelve #8 x 1-1/2" Wood Screws per board. Keep strap ends flush to rafters.

Repeat step for remaining roof panels. (F8.7 and F8.8)

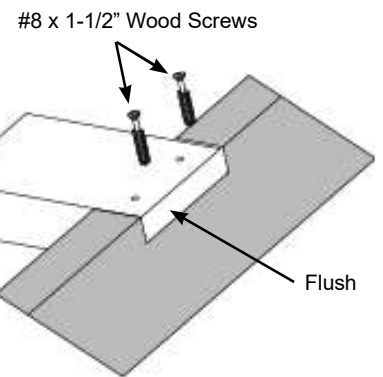
H: Attach four Rafter Bracket Long to the middle (1457) Common Rafters with four 1/4" x 2-1/4" Hex Bolts (2x 1/4-5/16" Large Washers, 1/4" Lock nut) on one Right Roof Panel and both Left Roof Panels. (F8.10 and F8.11)

I: At this point make sure the assembly is square. (F8.9)

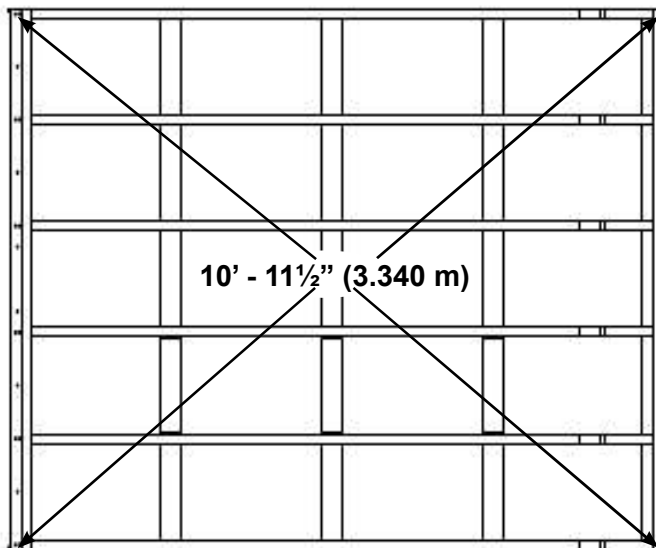
F8.7
Top View



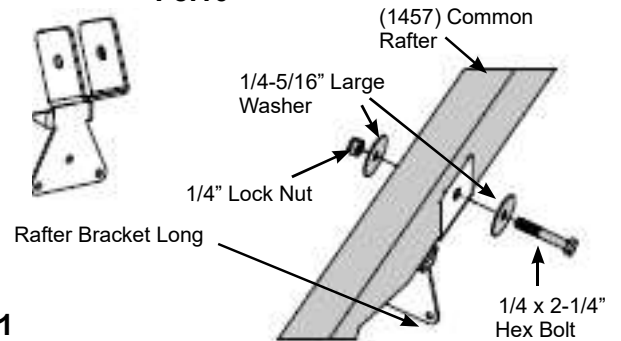
F8.8



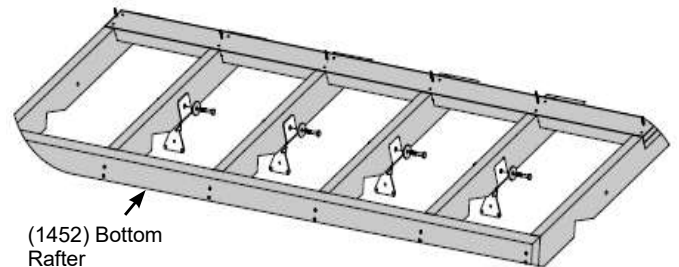
F8.9
Bottom View



F8.10



F8.11



Wood Parts

12 x (1455) Strap

Components

12 x Rafter Bracket Long

Hardware

144 x #8 x 1-1/2" Wood Screw
12 x 1/4 x 2-1/4" Hex Bolt (1/4-5/16" Large washer x2, 1/4" Lock Nut)

Step 8: Frame Roof Panel Part 4



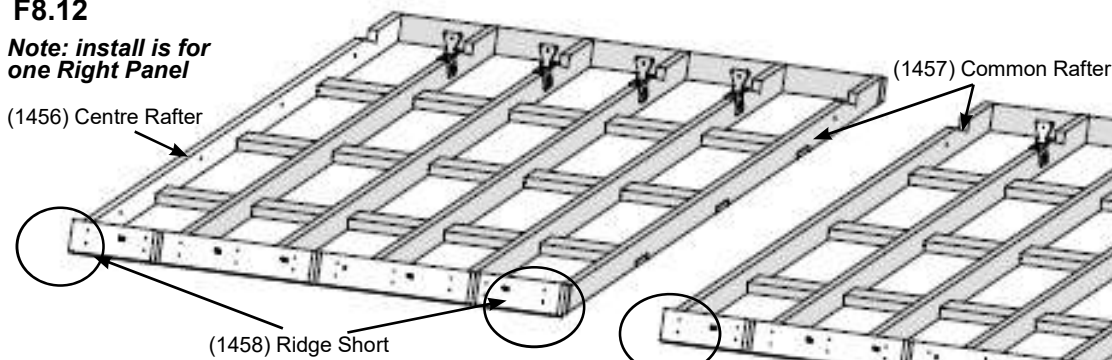
J: Use two 1/4 x 5" Hex Bolts per Ridge as a guide to line up (1458) Ridge Short and (1454) Ridge Long to one Left Roof Panel and Right Roof Panel with brackets. Remove each Hex Bolt at the end of this step, as they will be used in a later step and not installed here. (F8.14 and F8.15)

K: Place one (1458) Ridge Short at each end of the (1453) Top Rafter and attach with (8) #8 x 2-1/2" Wood Screws. (F8.12, F8.13, F8.14 and F8.16)

L: Evenly space two (1454) Ridge Long in between (1458) Ridge Short and attach with (8) #8 x 2-1/2" Woods. Screws. (F8.13 and F8.15)

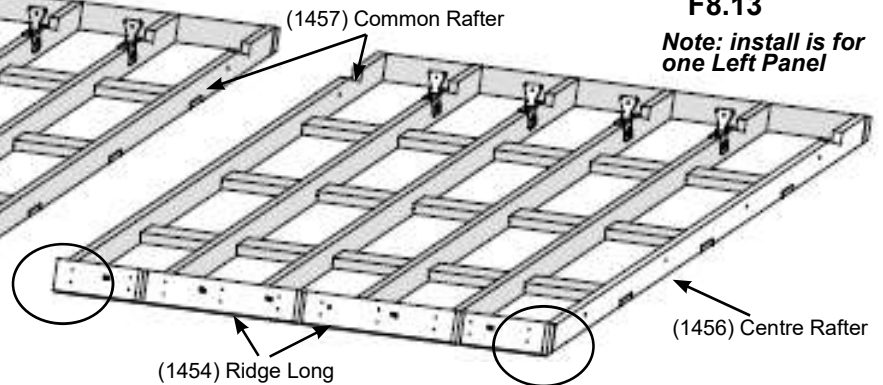
F8.12

Note: install is for one Right Panel



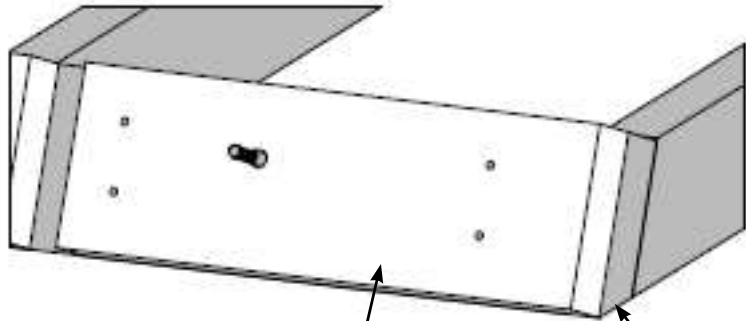
F8.13

Note: install is for one Left Panel



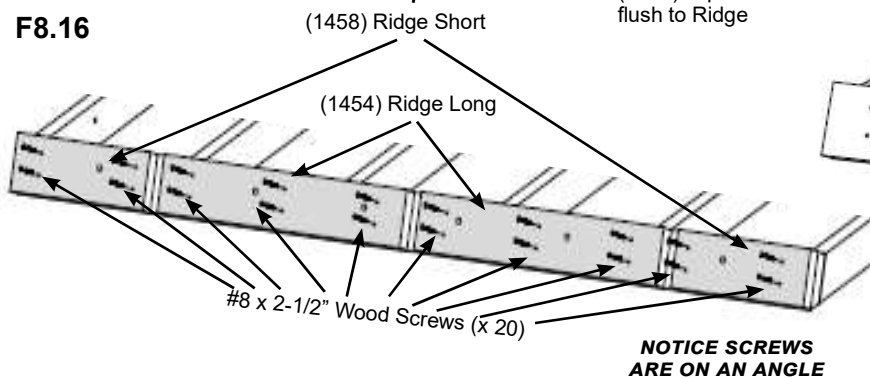
F8.14

Side View



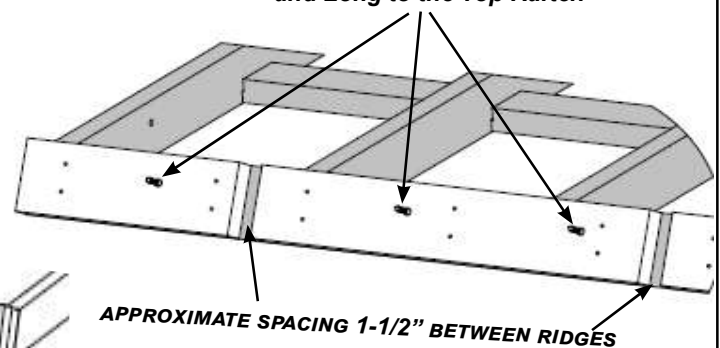
(1453) Top Rafter is flush to Ridge

F8.16



F8.15

It is important to match the bolt hole pattern of the Ridge Short and Long to the Top Rafter.

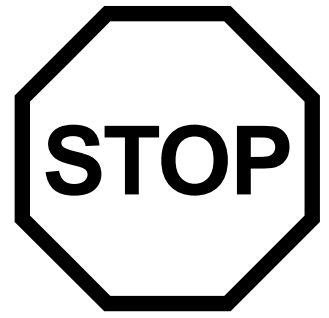
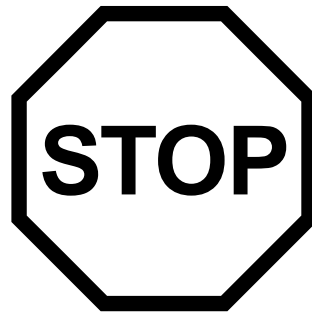
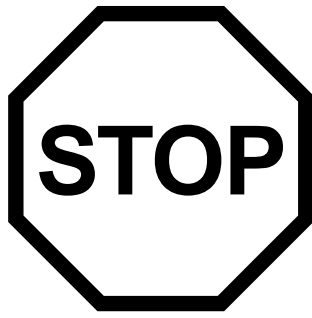
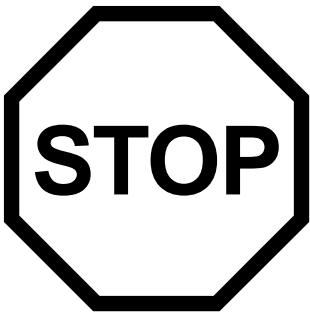


Wood Parts

- 4 x (1458) Ridge Short
- 4 x (1454) Ridge Long

Hardware

- 40 x #8 x 2-1/2" Wood Screw
- 6 x 1/4 x 5" Hex Bolt (used only for placement purposes)



INSTALLING ROOFING MATERIAL

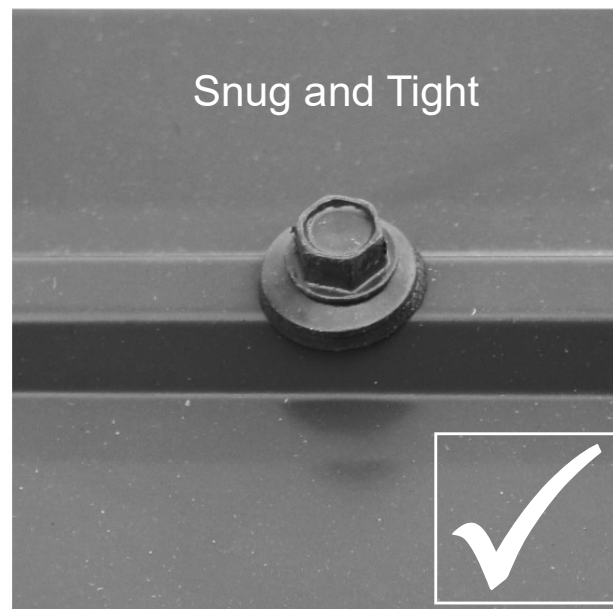
CAUTION!

Roofing material may have sharp edges! Wear gloves!

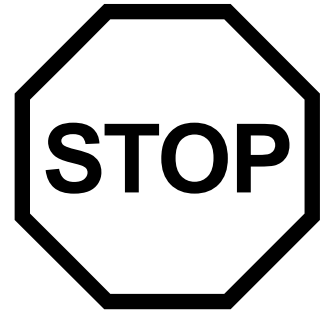
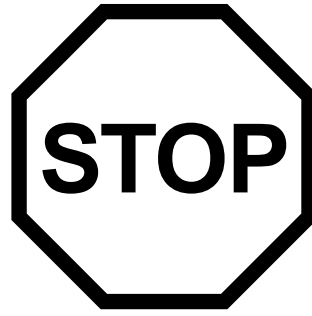
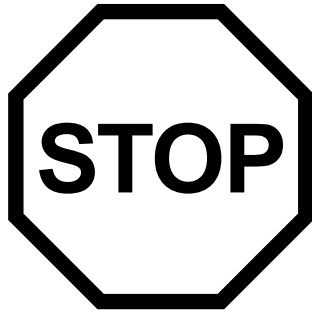
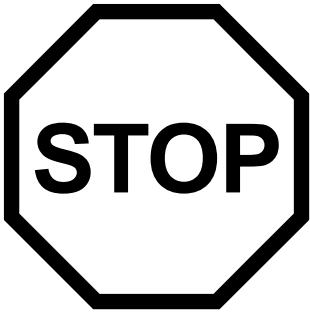
HANDLE WITH CARE!

Place roofing material on a non-abrasive surface before assembly as it can bend, dent and scratch easily.

**WARNING – DO NOT OVER TIGHTEN ROOFING SCREWS!
Over tightening screws will cause roofing material to crush.**



The roofing screws can easily crush the Roof Panels and Roof Edges when using a power drill. We recommend hand tightening the roofing screws so that they sit snug and tight to the roofing material.

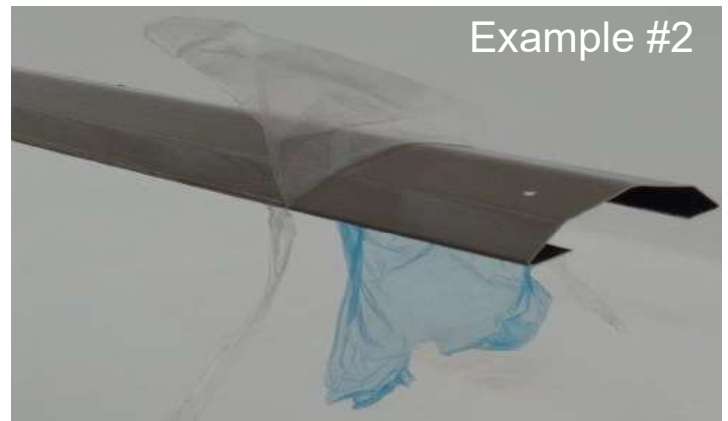
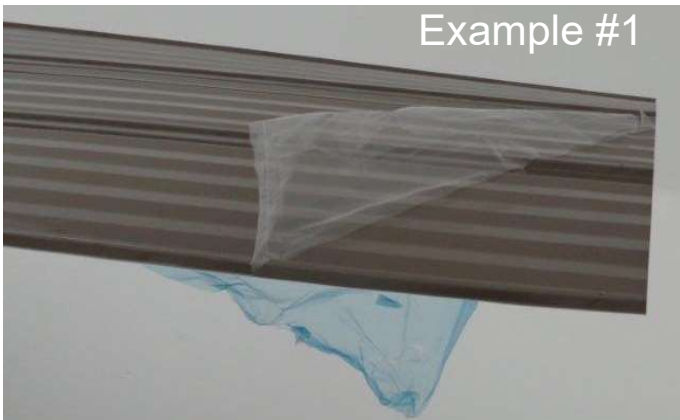


INSTALLING ROOFING MATERIAL

CAUTION!

Roofing material may have sharp edges! Wear gloves!

BE SURE TO REMOVE ALL PLASTIC COVERING, ON BOTH SIDES OF THE ALUMINUM PANELS AND TRIM, DIRECTLY BEFORE INSTALLING EACH PIECE. *(One side is clear and the other is blue, both must be removed.)*



Step 9: Attach Roof Panels Part 1



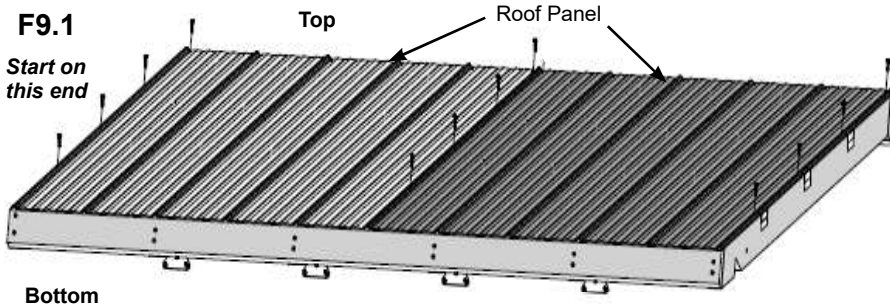
Important! Before starting this step be sure to refer back to pages 38 and 39 regarding correct installation and handling of roofing.

A: Make sure panel is still square then on one Roof Panel Frame place one Roof Panel flush to the (1453) Top Rafter and sides of the outside (1456/1457) Rafter. There will be approximately a 5/16" overhang at the bottom. (F9.1, F9.2 and F9.3)

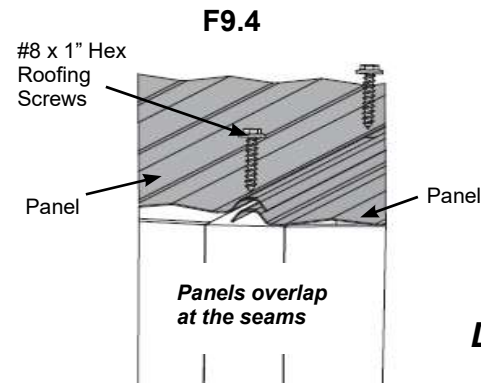
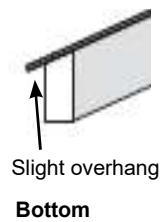
B: Place another Panel beside the first so the panels overlap and screw holes line up as shown below. (F9.1 and F9.4)

C: Attach both Panels to Roof Panel Frame using twelve #8 x 1" Hex Roofing Screws in locations shown in F9.1.

D: Repeat Steps A - C for the remaining Roof Panel Frames.

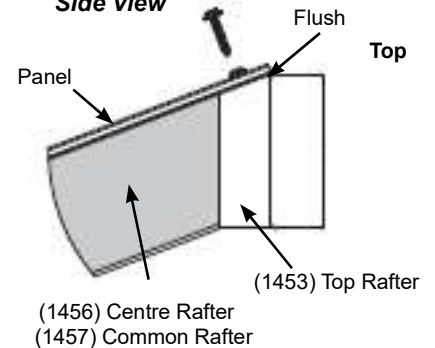


F9.2
Side View



**DO NOT overtighten screws,
could cause damage to
roofing material**

F9.3
Side View



Roof Parts

8 x Roof Panel

Hardware

48 x #8 x 1" Hex Roofing Screw

Step 9: Attach Roof Panels Part 2

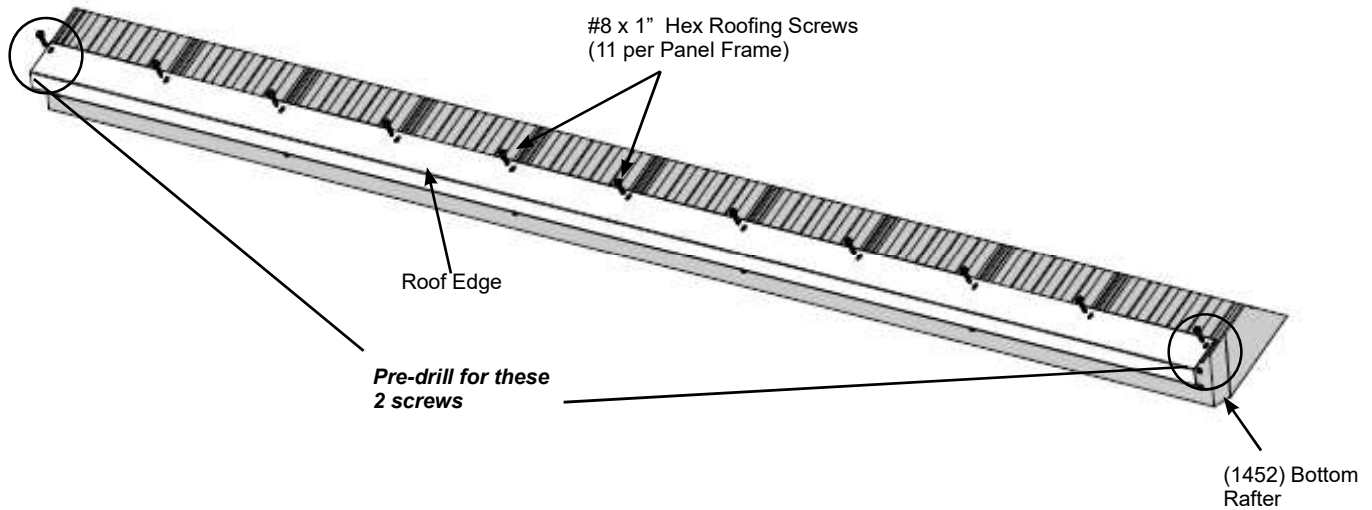


E: Place Roof Edge on the bottom of each Roof Panel Frame so the holes line up to the roof panel. Pre-drill the two end holes with a 1/8" drill bit then attach Roof Edges with 11 #8 x 1" Hex Roofing Screws. (F9.5) Be sure not to overtighten screws.

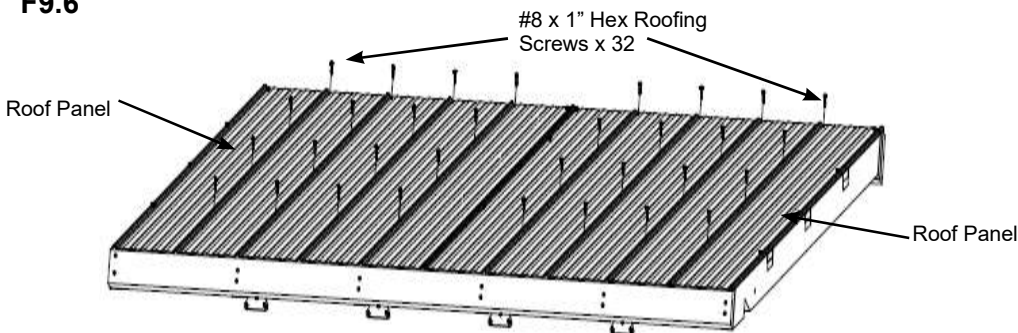
F: Continue to attach Panels to Roof Panel Frame using 32 #8 x 1" Hex Roofing Screws. Be sure not to overtighten screws. (F9.6)

G: Repeat Steps E-F for the remaining Roof Panel Frames.

F9.5



F9.6



Components

4x Roof Edge

Hardware

172 x #8 x 1" Hex Roofing Screw

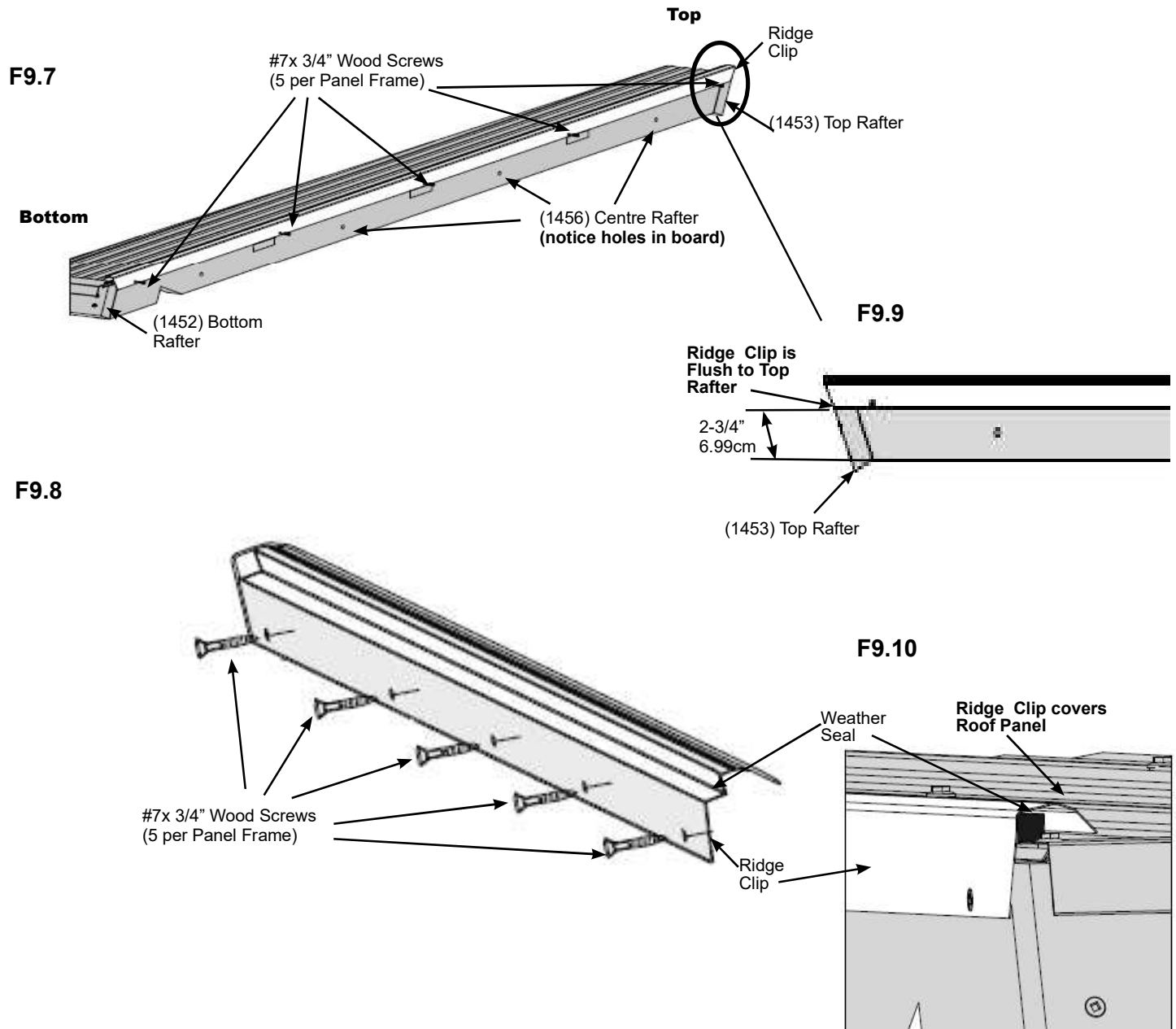
Step 9: Attach Roof Panels Part 3



H: Place Weather Seal on the inside of each Ridge Clip, then make flush to each side of Roof Panel Frame and 2 3/4" (6.99cm) up from the bottom of (1452) Bottom Rafter. Attach with five #7 x 3/4" Wood Screws per Ridge Clip. Ridge Clip must cover the Roof Panels (F9.7, F9.8, F9.9 and F9.10)

Note: Ridge Clips only attach to each (1456) Centre Rafter.

I: Repeat for remaining Roof Panel Frames.



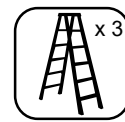
Components

- 4 x Ridge Clip
- 4 x Weather Seal

Hardware

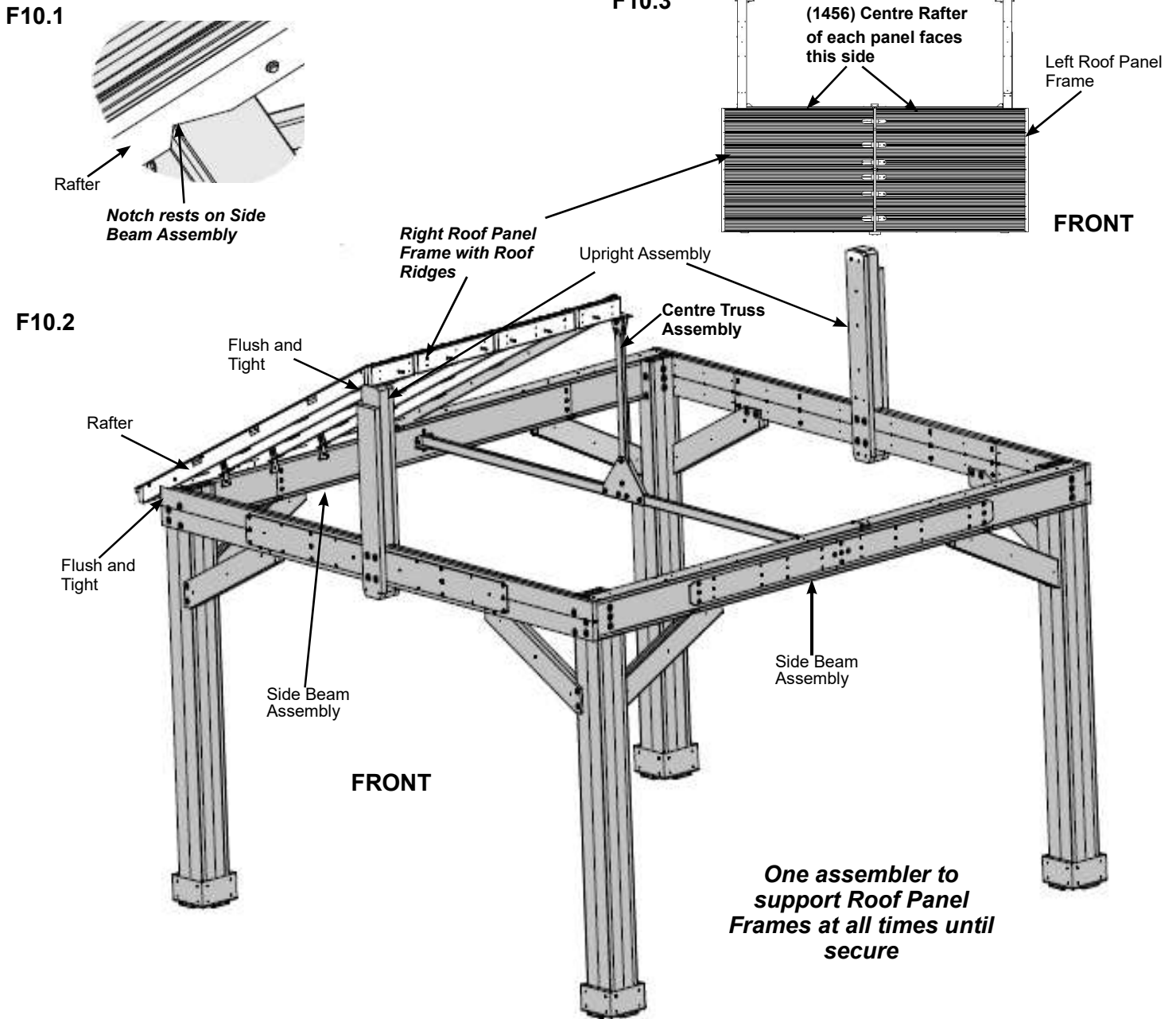
- 20 x #7 x 3/4" Wood Screw

Step 10: Attach Roof Panels to Frame Part 1

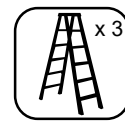


A: With four assemblers lift the Right Roof Panel Frame with the Roof Ridges installed, up and over the pavilion frame so it rests on (1504) Upright Assembly and Centre Truss Assembly. The notches in the rafters sit tight on the Side Beam Assemblies. (F10.1 and F10.2)

B: Lift the Left Roof Panel Frame without the Roof Ridges installed, up and over the pavilion frame so it rests on (1504) Upright Assembly and Centre Truss Assembly making sure Panel Frames are tight together and notches are tight to Side Beam Assemblies. **One assembler must remain on a ladder to hold Roof Panel Frame in place until secured.** (F10.1, F10.2 and F10.3)

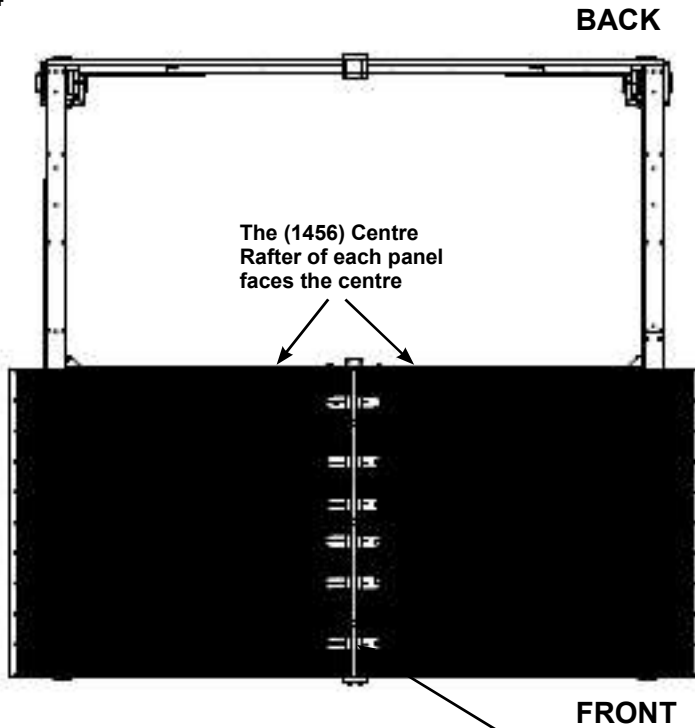


Step 10: Attach Roof Panels to Frame Part 2

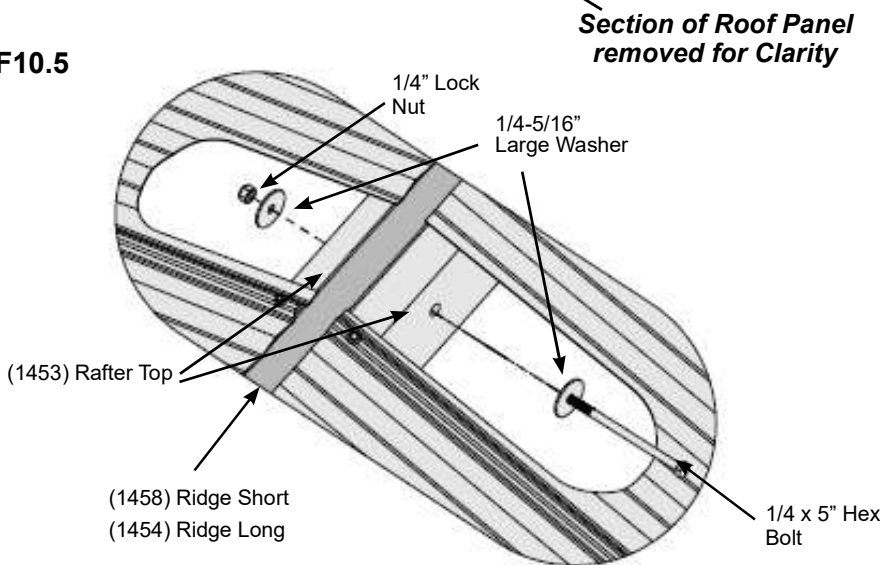


C: From inside the assembly attach one Roof Panel Frame that has the (1454) Ridge Long and (1458) Ridge Short attached, and one Roof Panel Frame without and fasten together through the (1453) Rafter Top with six 1/4 x 5" Hex Bolts (with two 1/4-5/16" large washer and one 1/4" lock nut). **Loosely attach hardware.** Tightening will occur at a later step. (F10.4 and F10.5)

F10.4



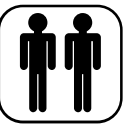
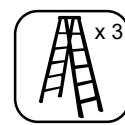
F10.5



Hardware

6 x 1/4 x 5" Hex Bolt
(1/4-5/16" large washer x 2, 1/4" lock nut)

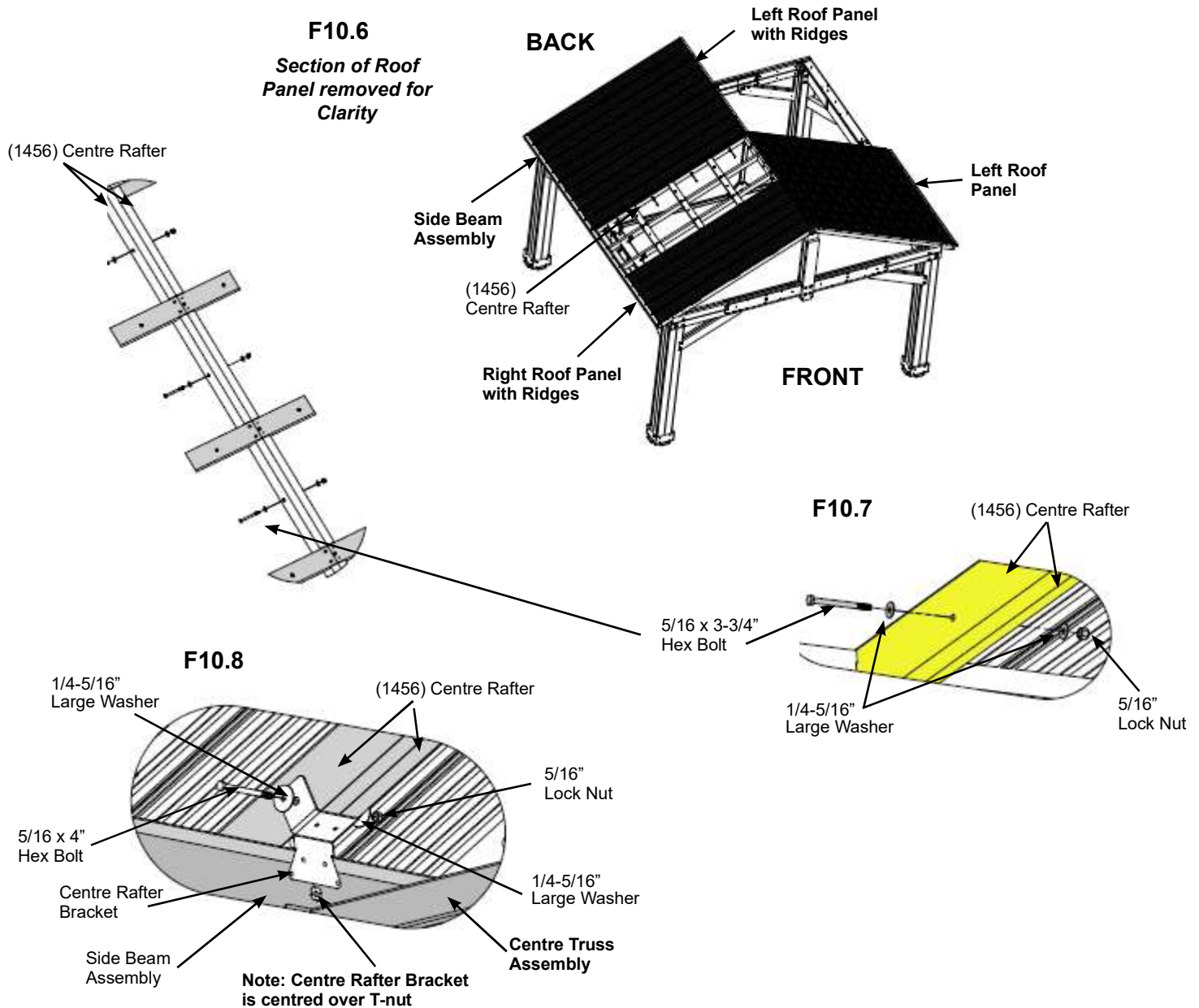
Step 10: Attach Roof Panels to Frame Part 3



D: Place one Left Roof Panel assembly with Roof Ridges installed next to the previously attached Right Roof Panel and fasten the two Roof Panel Frames together through each (1456) Centre Rafter with three 5/16 x 3-3/4" Hex Bolts (two 1/4-5/16" large washer and one 5/16" lock nut). **Loosely attach hardware.** Tightening will occur at a later step. (F10.6, F10.7)

E: Attach Centre Rafter Bracket to the (1456) Centre Rafter where the roof panels meet. Attach with one 5/16 x 4" Hex Bolt (two 1/4-5/16" large washer and one 5/16" lock nut).

Loosely attach hardware. Tightening will occur at a later step. (F10.6 and F10.8)



Components

1 x Centre Rafter Bracket

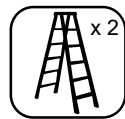
Hardware

3 x 5/16 x 3-3/4" Hex Bolt
(1/4-5/16" large washer x 2, 5/16" lock nut)

1 x 5/16 x 4" Hex Bolt
(1/4-5/16" large washer x 2, 5/16" lock nut)

Step 10: Attach Roof Panels to Frame

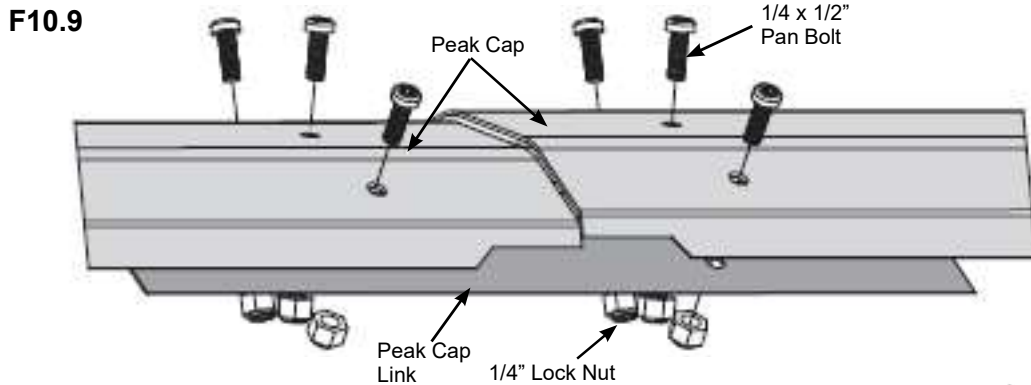
Part 4



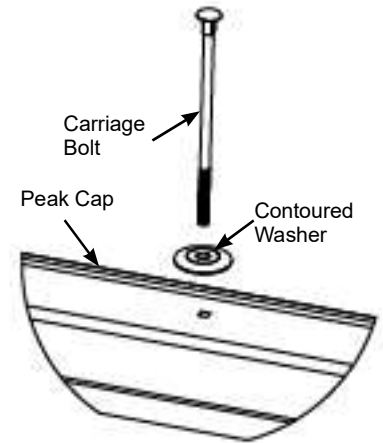
F: Slide two Peak Caps over top of the Peak Cap Link, align holes and attach with six 1/4 x 1/2" Pan Bolts (with 1/4" lock nut). (F10.9)

G: Insert six Carriage Bolts with Contoured Washers through the top of Peak Cap Assembly. Place one Peak Post Long over each Carriage Bolt and secure with Spring Clips. The Spring Clip holds the assembly together. (F10.10, F10.11 and F10.12)

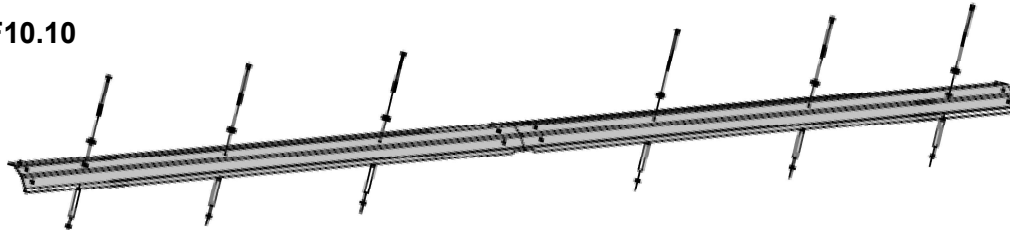
H: With one person on each end of the roof place Peak Cap Assembly on top Panel Roof Frame Assemblies so Carriage bolts with Peak Post fit through gaps between the roof assemblies. (F10.13)



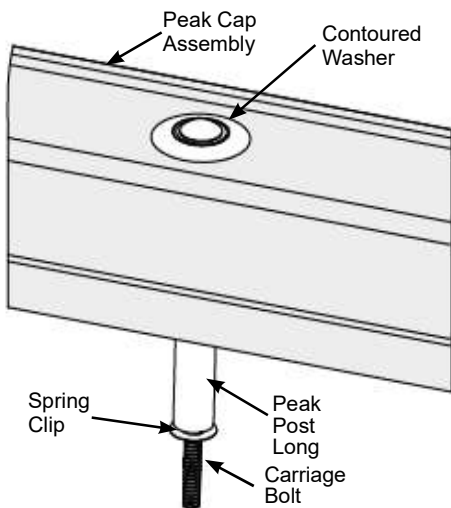
F10.11



F10.10

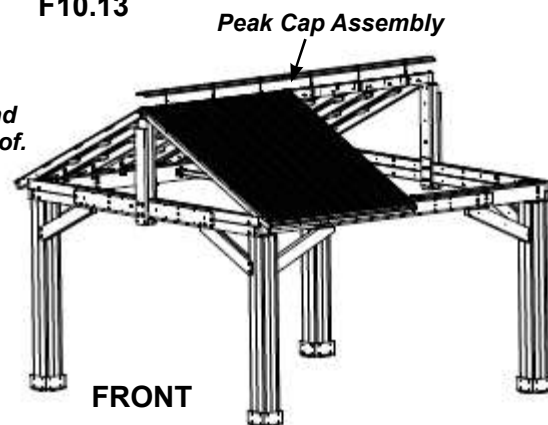


F10.12



F10.13

Place Peak Cap Assembly over roof and through gaps in the roof.



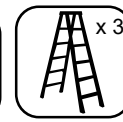
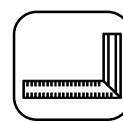
Components

- 2 x Peak Cap
- 1 x Peak Cap Link

Hardware

- 6 x Carriage Bolt (spring clip, contoured washer)
- 6 x 1/4 x 1/2" Pan Bolt (1/4" Lock Nut)
- 6 x Peak Post Long

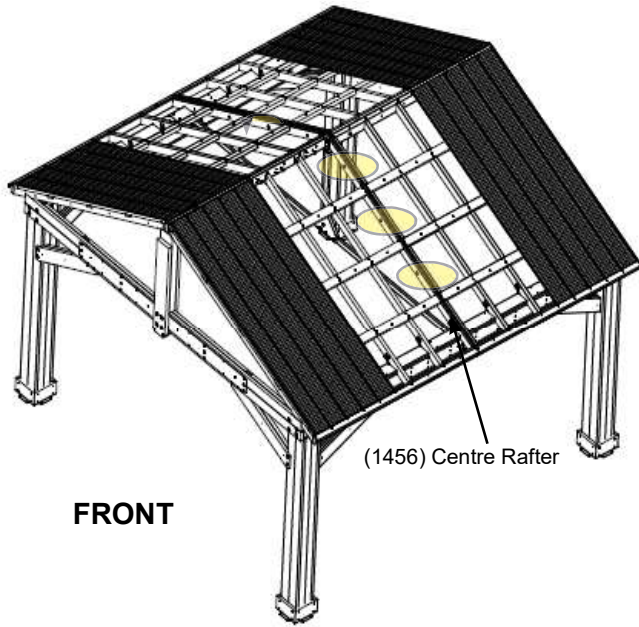
Step 10: Attach Roof Panels to Frame Part 5



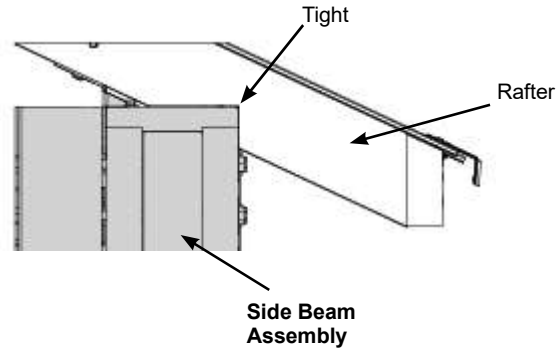
I: Place the Right Roof Panel without Rafter Brackets in place. Push up on the centre of the Roof Panels so the notches in the rafters are tight to the Side Beam Assembly then align holes in (1456) Centre Rafter of each Roof Panel frame and attach three 5/16 x 3-3/4" Hex Bolts (with two 1/4-5/16" large washer and one 5/16" lock nut). Do not over-tighten the bolts. (F10.14, F10.15 and F10.16)

J: From inside the assembly attach each Roof Panel Frame together through the (1453) Rafter Top with six 1/4 x 5" Hex Bolts (with two 1/4-5/16" large washer and one 1/4" lock nut). **Loosely attach hardware.** Tightening will occur at a later step. (F10.14 and F10.17)

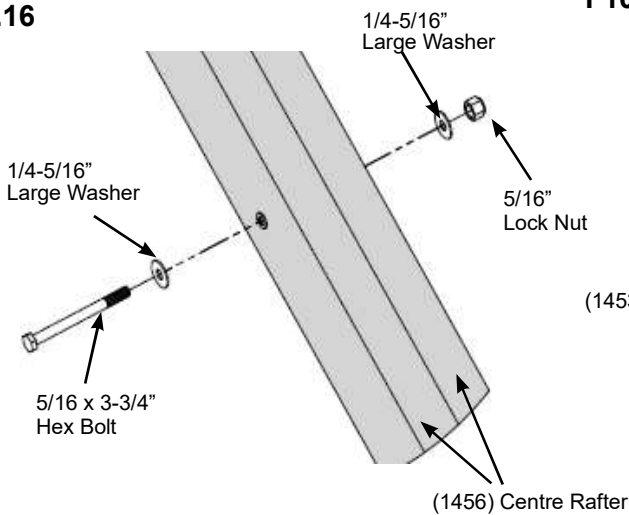
F10.14



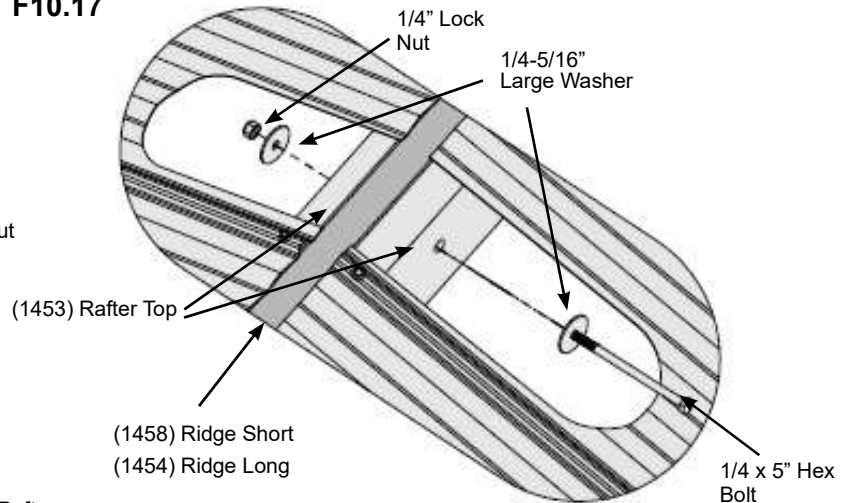
F10.15



F10.16



F10.17



Hardware

- 3 x 5/16 x 3-3/4" Hex Bolt (1/4-5/16" large washer x 2, 5/16" lock nut)
- 6 x 1/4 x 5" Hex Bolt (1/4-5/16" large washer x 2, 1/4" lock nut)

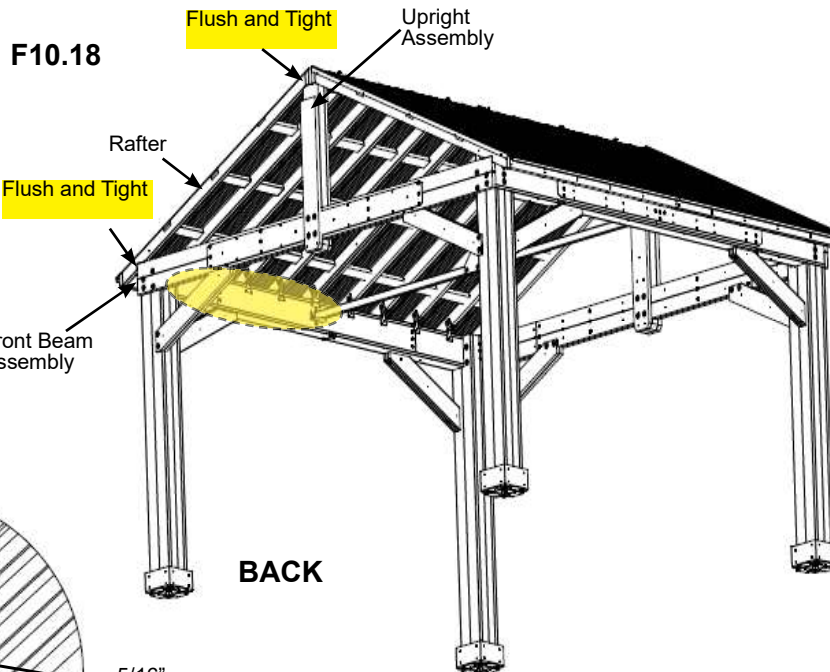
Step 10: Attach Roof Panels to Frame Part 6



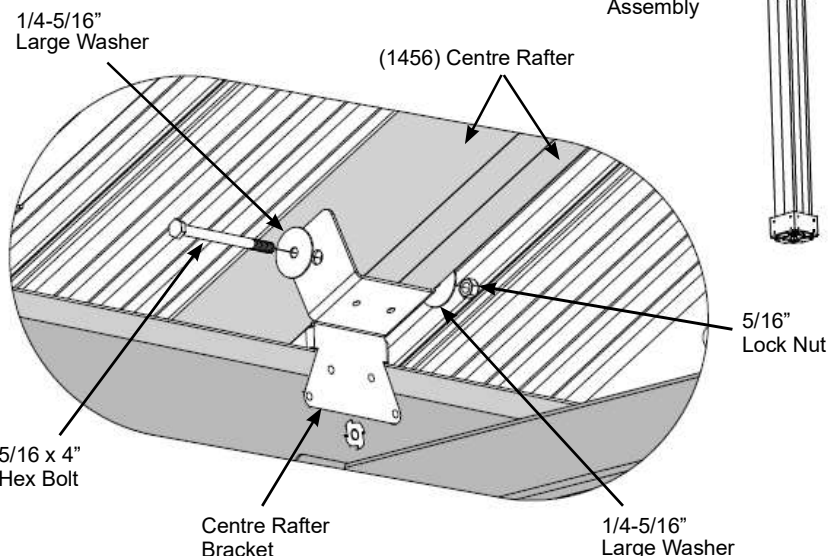
K: From inside and centre of the assembly, attach the remaining Centre Rafter Bracket to the (1456) Centre Rafter with one 5/16 x 4" Hex Bolt (two 1/4-5/16" large washer and one 5/16" lock nut). (F10.18 and F10.19)

L: From inside attach the four remaining Rafter Bracket Long to each (1457) Common Rafter of the Right Roof Panel using one 1/4 x 2-1/4" Hex Bolt (two 1/4-5/16" large washer and one 1/4" lock nut). (F10.20)

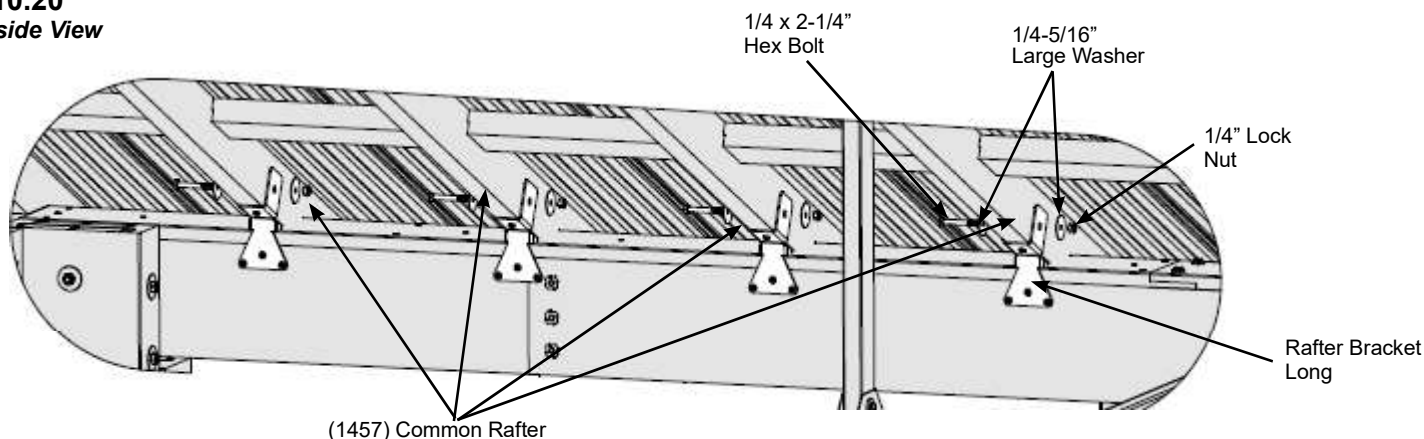
Make sure the end rafters are flush and tight to Front Beam Assembly at bottom and Upright Assembly at top.



F10.19
Inside View



F10.20
Inside View



Components

- 1 x Centre Rafter Bracket
- 4 x Rafter Bracket Long

Hardware

- 1 x 5/16 x 4" Hex Bolt
(1/4-5/16" large washer x 2, 5/16" lock nut)
- 4 x 1/4 x 2-1/4" Hex Bolt
(1/4-5/16" large washer x 2, 1/4" lock nut)

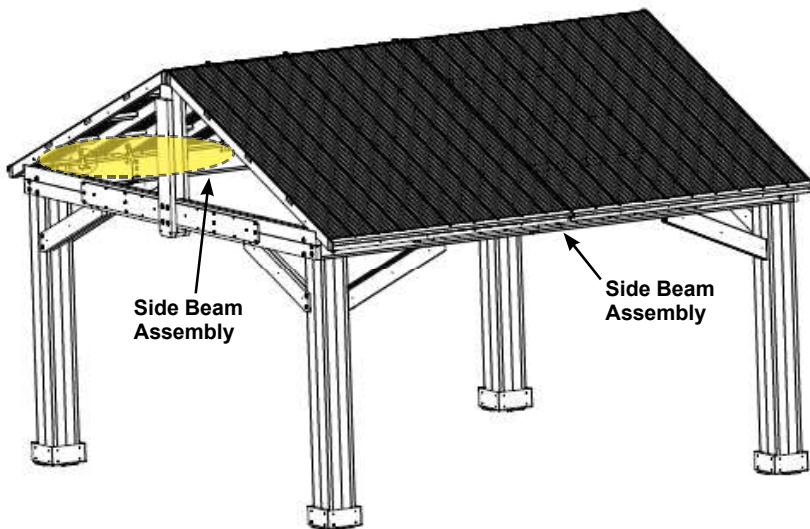
Step 10: Attach Roof Panels to Frame Part 7



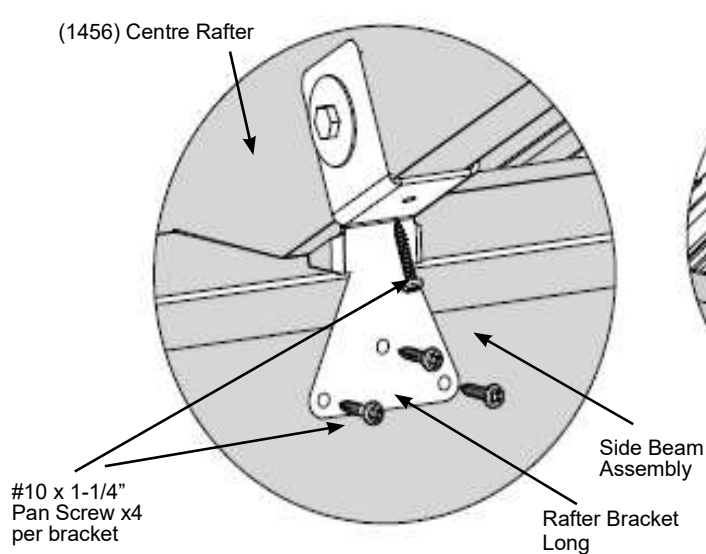
M: Check that the Roof Panels are flush to the Front Beams at bottom and flush at top to the Upright Assembly. With the notches in the rafters tight to the Side Beam Assembly, attach four #10 x 1-1/4" Pan Screws per Rafter Bracket Long and six #10 x 1-1/4" Pan Screws per Centre Rafter Bracket. (F10.21, F10.22 and F10.23)

Once screws are installed tighten all bolts in Rafter Brackets and Roof Panels.

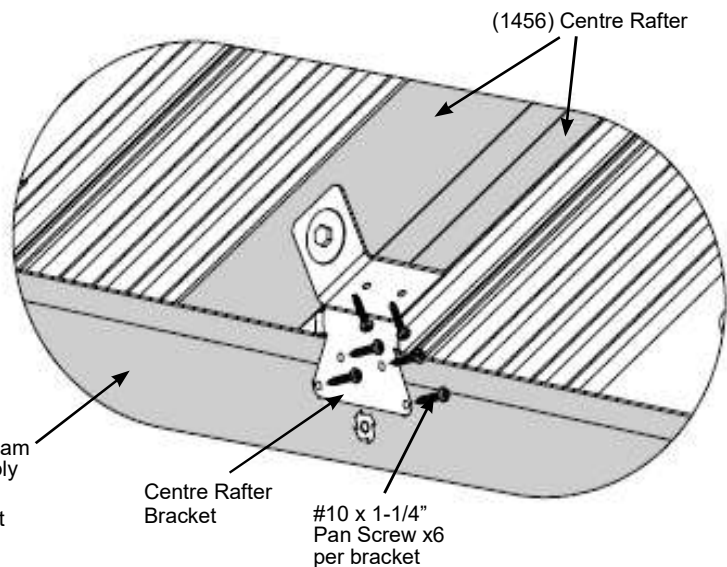
F10.21



F10.22
Inside View



F10.23
Inside View



Hardware

76 x #10 x 1-1/4" Pan Screw

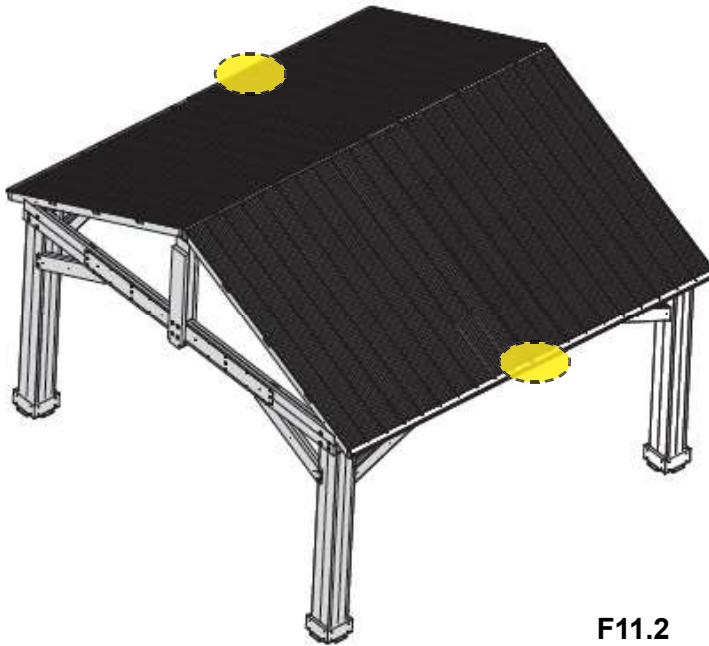
Step 11: Attach Ridge Cap Part 1



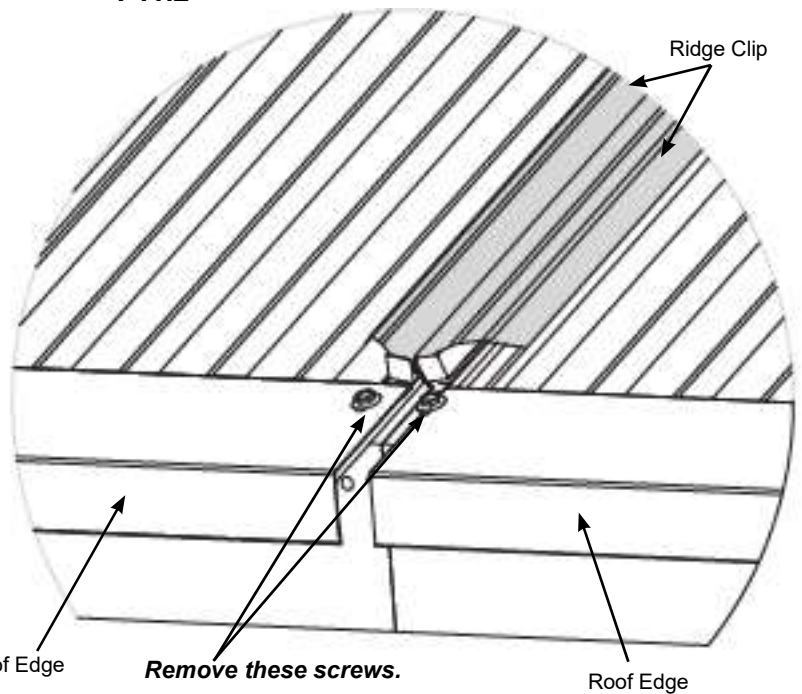
A: Remove two #8 x 1" Roofing Screws from each Roof Edge where each Roof Panel Frame Assembly connect. (F11.1 and F11.2)

B: Place one Centre Roof Edge over each connecting seam, tight to Roof Edges and attach with previously removed screws. (F11.1 and F11.3)

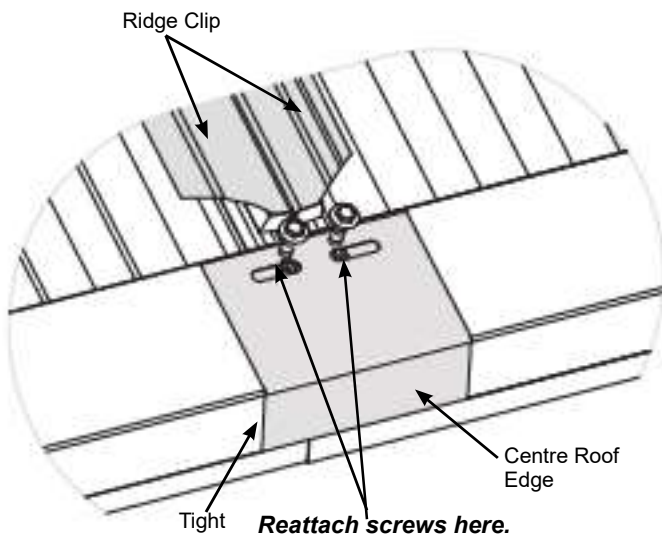
F11.1



F11.2



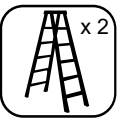
F11.3



Components

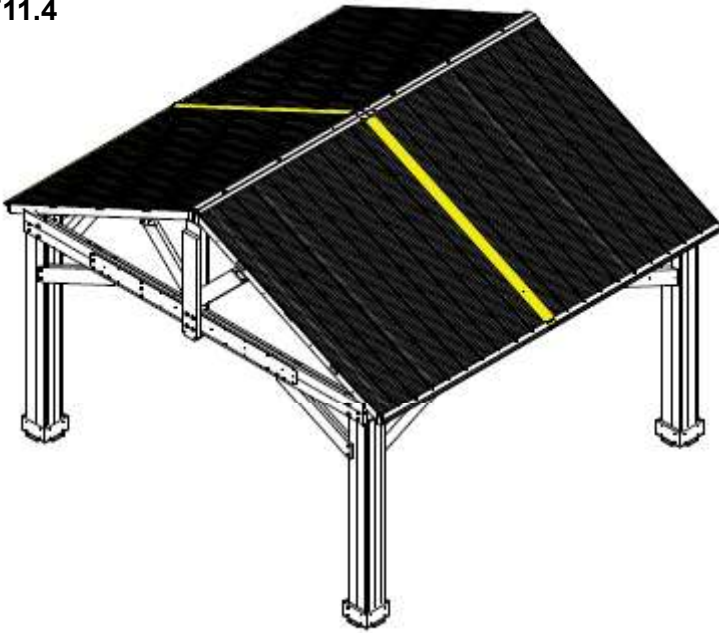
2 x Centre Roof Edge

Step 11: Attach Peak and Ridge Cap Part 2

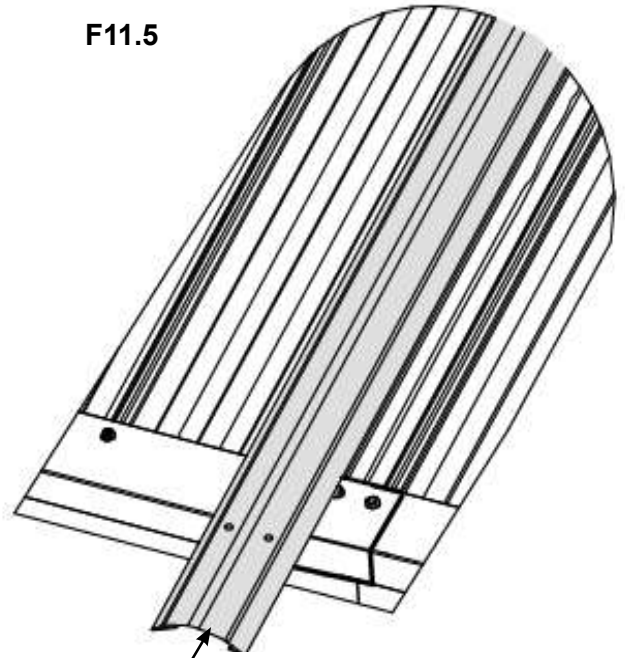


C: At each Roof Panel Frame Assembly, slide one Ridge Cap over the Ridge Clips, from the bottom up to the top, with holes in Ridge Cap towards bottom. Slide under Peak Cap Assembly. Attach with two #8 x 3/4" Sheet Metal Screws per Ridge Cap Middle. (F11.4, F11.5, F11.6 and F11.7)

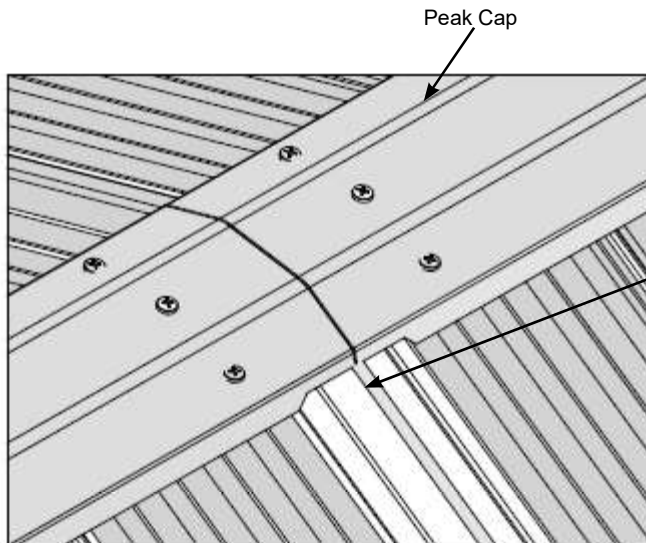
F11.4



F11.5

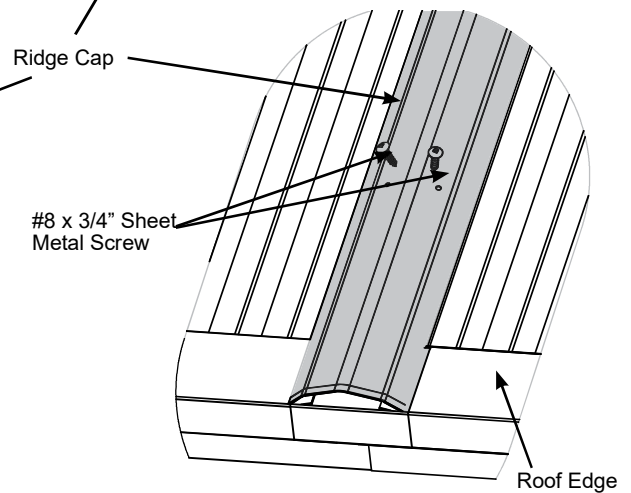


F11.6



Note: To help Ridge Caps slide on easier use a lubricant such as liquid soap.

F11.7



Components

2 x Ridge Cap

Hardware

4 x #8 x 3/4" Sheet Metal Screw



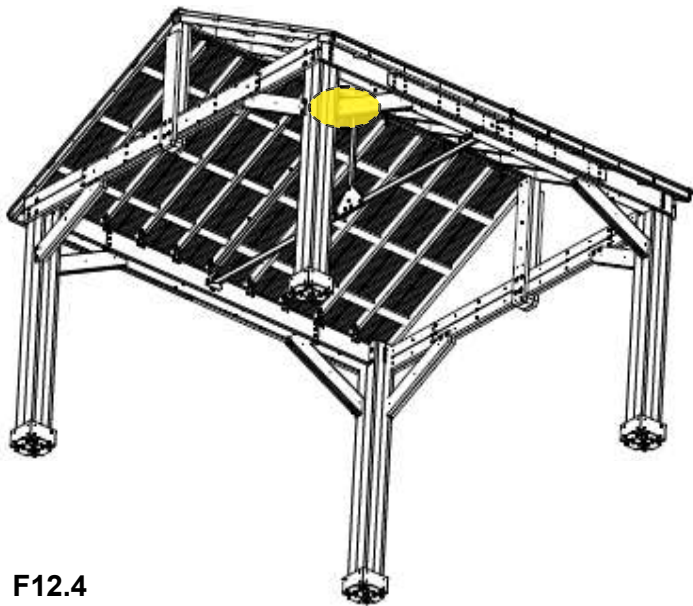
Step 12: Secure Roof Peak and Truss Tie Mount

A: Insert one 1/4" Nut into each Peak Loop. Be careful nut is loose and will fall out until attached to Carriage Bolt. (F12.2 and F12.3)

B: Place one Peak Bracket over each of the carriage bolts, then attach Peak Loop to the carriage bolt and twist to tighten. (F12.1, F12.2 and F12.3)

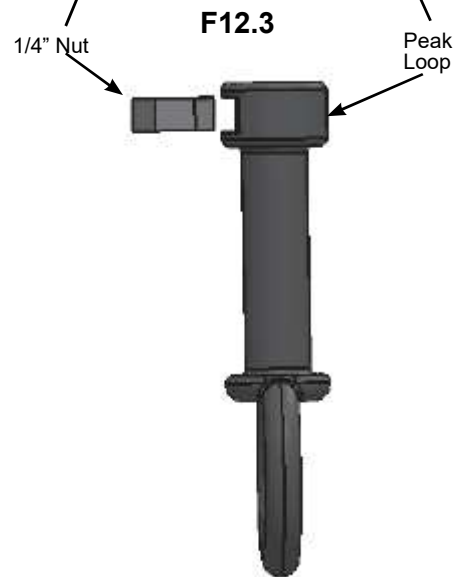
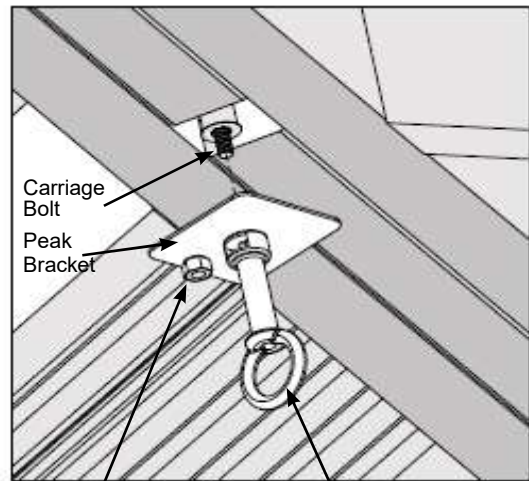
C: Attach Truss Tie Mount - Top to (1453) Rafter Tops at centre location, with four #12 x 1-1/2" Pan Screws (F12.1 and F12.4)

F12.1



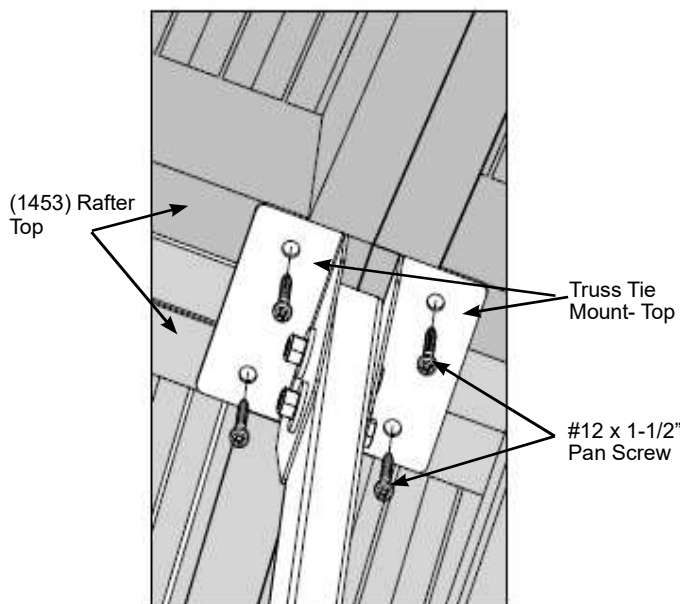
F12.2

Inside View



F12.4

Inside View



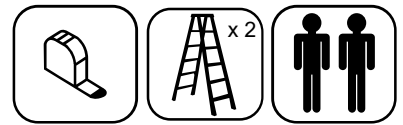
Components

- 6 x Peak Loop
- 6 x 1/4" nut
- 6 x Peak Bracket

Hardware

- 4 x #12 x 1-1/2" Pan Screws

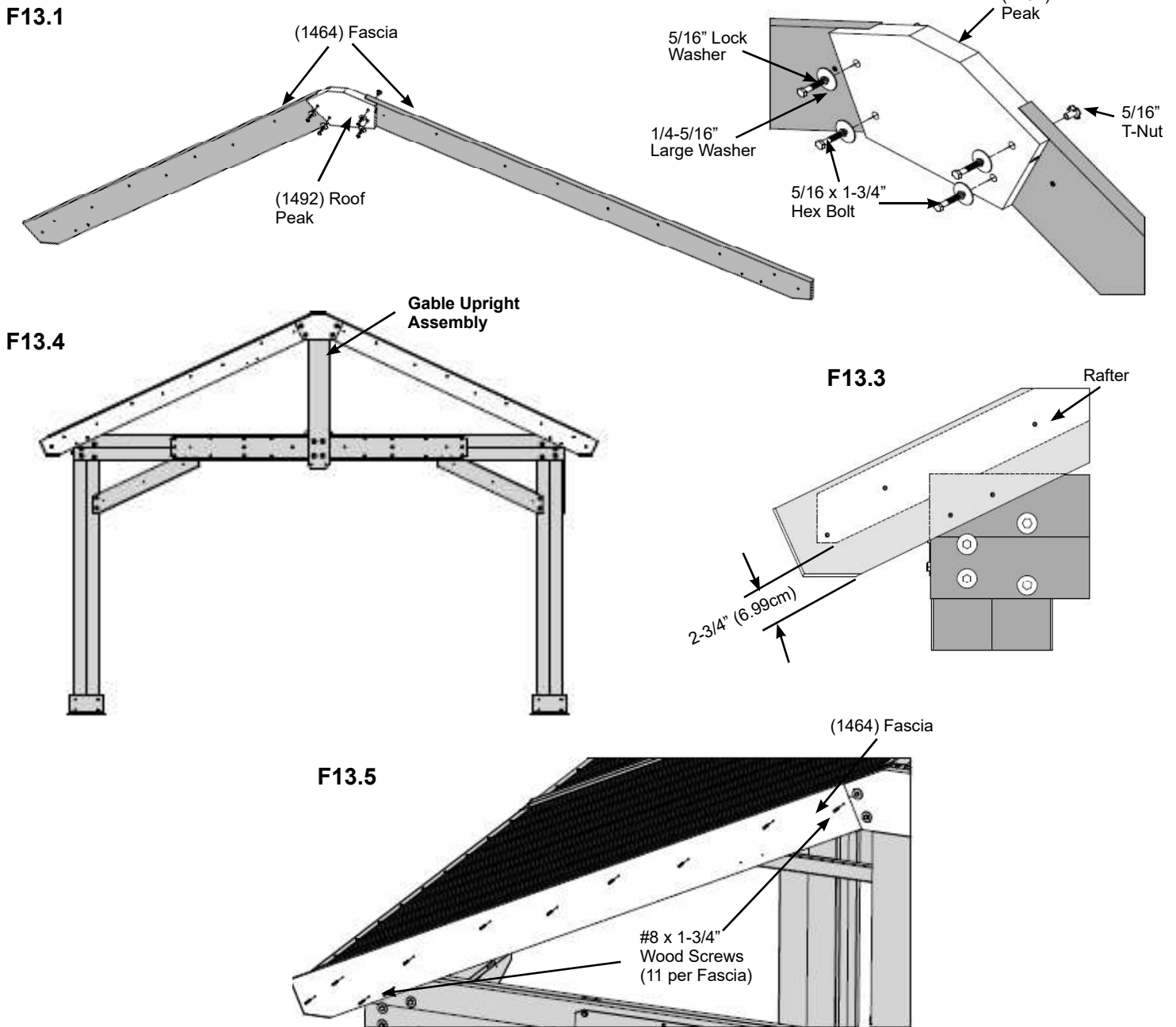
Step 13: Attach Fascia



A: In between two (1464) Fascia place one (1492) Roof Peak and align bolt holes. Connect together with four 5/16 x 1-3/4" Hex Bolts (1/4-5/16" Large Washer, 5/16" Lock Washer, 5/16" T-Nut). (F13.1 and F13.2)

B: With a helper place the Fascia and Roof Peak Assembly on top of the Gable Upright Assembly. The bottom of (1464) Fascia to bottom of rafter should measure 2-3/4" (6.99cm) all along each (1464) Fascia. Attach with eleven #8 x 1-3/4" Wood Screws per (1464) Fascia. (F13.3, F13.4 and F13.5)

C: Repeat for the other side of the assembly.



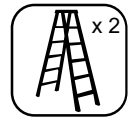
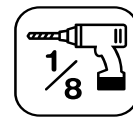
Wood Parts

- 4 x (1464) Fascia
- 2 x (1492) Roof Peak

Hardware

- 8 x 5/16 x 1-3/4" Hex Bolt
- (1/4-5/16" large washer, 5/16" lock washer, 5/16" T-Nut)
- 44 x #8 x 1-3/4" Wood Screw

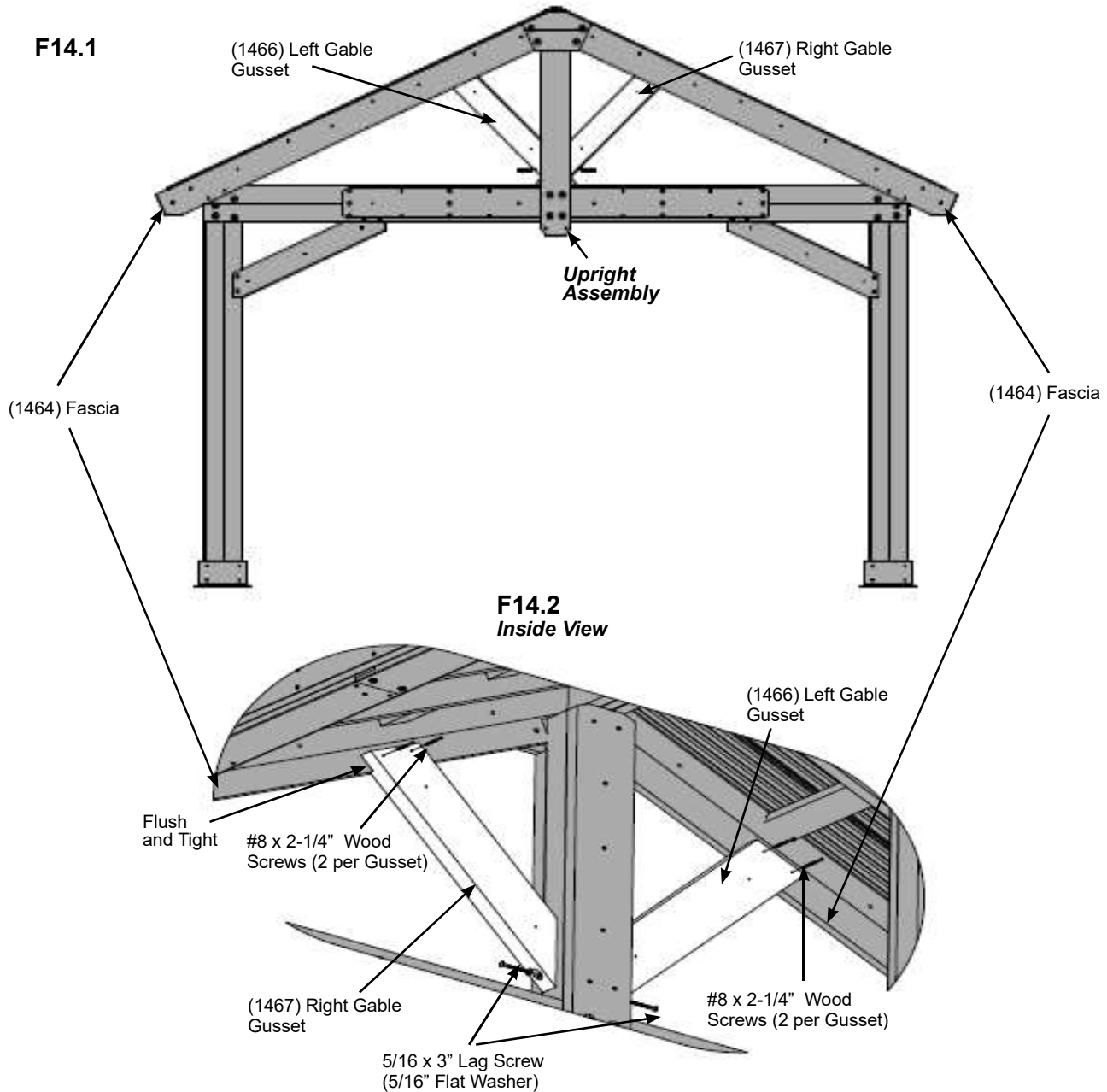
Step 14: Attach Gable Gussets



A: From the inside, attach one (1466) Left Gable Gusset and one (1467) Right Gable Gusset to the (1464) Fascia using two #8 x 2-1/4" Wood Screws per gusset. Make sure gussets sit flush and tight to (1464) Fascia's. (F14.2)

B: With the bottom of (1466) and (1467) Left and Right Gable Gussets firmly against the Upright Assembly pre-drill with 1/8" drill bit and attach with 5/16 x 3" Lag Screws (5/16" Flat Washer). (F14.1 and F14.2)

C: Repeat for other side of assembly.



Wood Parts

- 2 x (1466) Left Gable Gusset
- 2 x (1467) Right Gable Gusset

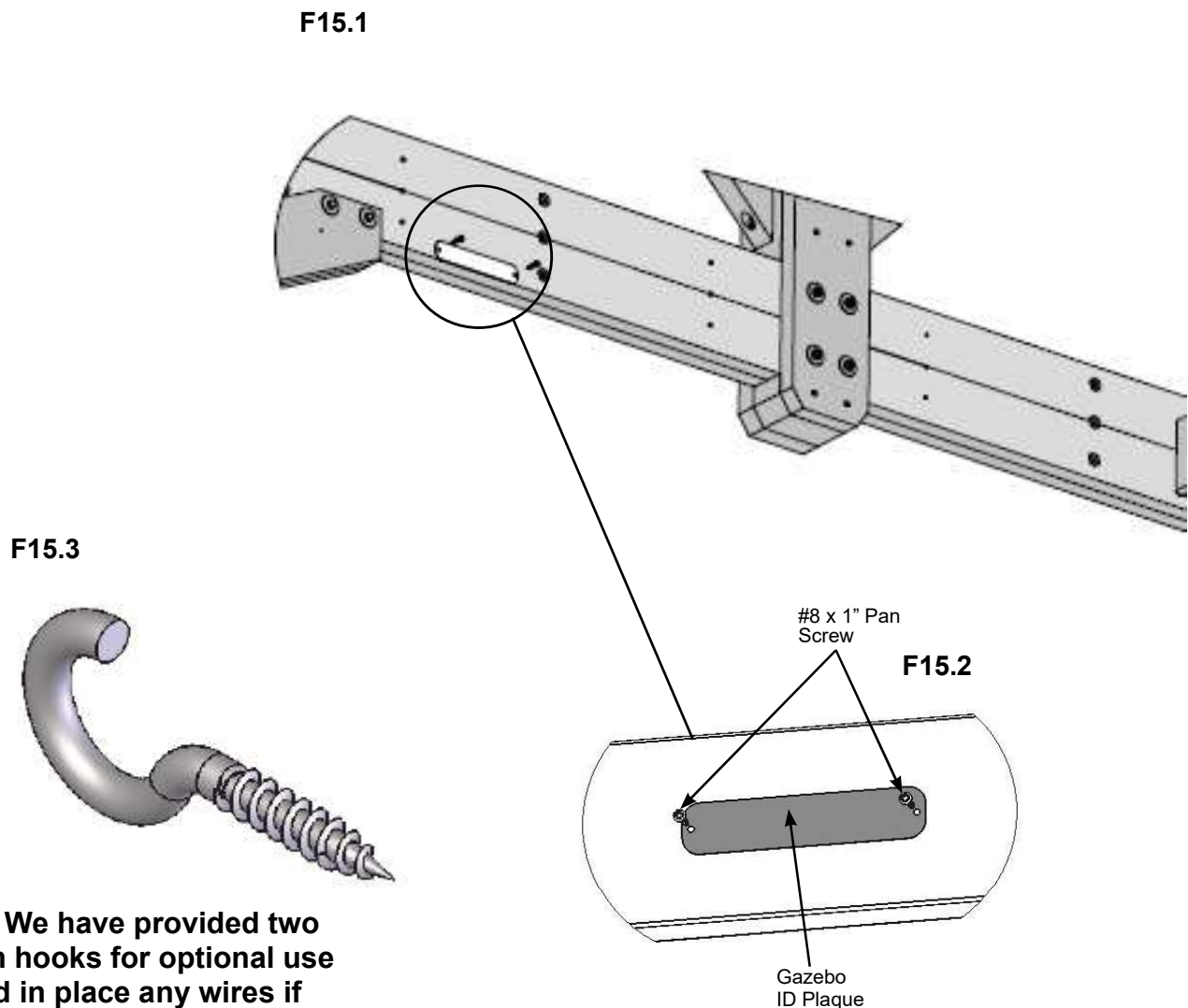
Hardware

- 8 x #8 x 2-1/4" Wood Screw
- 4 x 5/16 x 3" Lag Screw (5/16" Flat Washer)

Step 15: Attach Plaque and Hooks

A: Attach Gazebo ID Plaque to a prominent location on your Pavilion with two #8 x 1" Pan Screws. This provides warnings concerning safety and important contact information. A tracking number is provided to allow you to get critical information or order replacement parts for this specific model. (F15.1 and F15.2)

B: Two 50 mm Hooks are included with this unit for attaching wiring. They can be placed anywhere along the Rafters as needed. Pre-drill with a 1/8" drill bit before installing. (F15.3)



Note: We have provided two 50 mm hooks for optional use to hold in place any wires if required. These hooks are not designed to hold any heavy products such as lights, flower pots, etc.

Components

1 x Gazebo ID Plaque
2 x 50mm Hooks

Hardware

2 x #8 x 1" Pan Screw



Yardistry® 375 Sligo Road West, P.O. Box 10, Mount Forest, ON Canada NOG 2L1

Distributed by:
Costco Wholesale Corporation
P.O. Box 34535
Seattle, WA 98124-1535
USA
1-800-774-2678
www.costco.com

Costco Wholesale Canada Ltd.*
415 W. Hunt Club Road
Ottawa, Ontario
K2E 1C5, Canada
1-800-463-3783
www.costco.ca
* faisant affaire au Québec sous
le nom les Entrepôts Costco

Importado por:
Importadora Primex S.A. de C.V.
Blvd. Magnocentro No. 4
San Fernando La Herradura
Huixquilucan, Estado de México
C.P. 52765
RFC: IPR-930907-S70
(55)-5246-5500
www.costco.com.mx

Costco Wholesale Australia Pty Ltd
17-21 Parramatta Road
Lidcombe NSW 2141
Australia
www.costco.com.au

Costco Wholesale UK Ltd /
Costco Online UK Ltd
Hartspring Lane
Watford, Herts
WD25 8JS
United Kingdom
01923 213113
www.costco.co.uk

Costco Wholesale Spain S.L.U.
Polígono Empresarial Los Gavilanes
C/ Agustín de Betancourt, 17
28906 Getafe (Madrid) España
NIF: B86509460
900 111 155
www.costco.es

Costco Wholesale Iceland ehf.
Kauptún 3-7, 210 Gardabaer
Iceland
www.costco.is

Costco France
1 avenue de Bréhat
91140 Villebon-sur-Yvette
France
01 80 45 01 10
www.costco.fr

Costco Wholesale Japan Ltd.
2 Kakuchi, 2 Gaiku, Kaneda-Nishi
361 Urakura, Kisarazu shi
Chiba, 292-0007 Japan
0570-200-800
www.costco.co.jp

Costco Wholesale Korea, Ltd.
40, Ilijik-ro
Gwangmyeong-si
Gyeonggi-do, 14347, Korea
1899-9900
www.costco.co.kr

Costco Wholesale New Zealand Limited
2 Gunton Drive
Westgate
Auckland 0814
New Zealand
www.costco.co.nz

Costco (China) Investment Co., Ltd.
Room 1003, Block 2, 2388 Xiupu Road,
Pudong New Area, Shanghai
China 201315
+86-21-6257-7065

Costco Wholesale Sweden AB
Box 614
114 11 Stockholm
Sweden
www.costco.se

AUSTRALIA: Our goods come with guarantees that cannot be excluded under the Australian Consumer Law. You are entitled to a replacement or refund for a major failure and for compensation for any other reasonably foreseeable loss or damage. You are also entitled to have the goods repaired or replaced if the goods fail to be of acceptable quality and the failure does not amount to a major failure.

AUSTRALIE : Nos articles sont offerts avec des garanties qui ne peuvent connaître d'exclusions au regard de la loi australienne sur la protection des consommateurs. Vous avez droit au remplacement ou au remboursement en cas de défaillance majeure de votre article ainsi qu'à une compensation en cas de perte ou de dommage prévisible. Vous avez aussi droit à la réparation ou au remplacement de l'article s'il n'est pas d'une qualité acceptable et que la défaillance n'est pas majeure.

AUSTRALIA: Nuestros productos cuentan con garantías que no se pueden excluir bajo las Leyes del Consumidor de Australia. Usted tiene derecho a un cambio o devolución en caso de un fallo importante ya una compensación por cualquier otra pérdida o daño razonablemente previsible. También tiene derecho a la reparación o reemplazo de los bienes, si éstos no cumplen con una calidad aceptable y el fallo no constituye un fallo importante.



Customer Registration Card - Tarjeta de Registro del Cliente - Carte d'inscription du client

First Name - Primer Nombre - Prénom	Initial - Inicial - Initiale	Last Name - Apellido - Nom de famille

Street - Calle - Rue	PO Box - Casilla postal - Boîte postale	Apt. No. - App.

City - Ciudad - Ville	State/Province - Estado/Provincia - État/Province

ZIP/Postal Code - Código Postal - ZIP/Code postal	Country - País - Pays

E-mail Address - Dirección de E-mail - Adresse courriel	Telephone Number - No. de Teléfono - N° de téléphone

Model Name - Nombre del Modelo - Nom du modèle	Model Number (from front cover) - Número de Modelo (de la portada) - N° du modèle (page de couverture)

Date of Purchase - Fecha de Compra - Date d'achat (mm/dd/yyyy) (mm/dd/aaaa) (mm/jj/aaaa)	Place of Purchase - Comprado a - Lieu d'achat

Comments - Comentarios - Commentaires:

Mail To - Enviar por Correo a - Envoyer par courrier à:

Yardistry
375 Sligo Road West, PO Box 10
Mount Forest, Ontario, Canada, N0G 2L0
Attention: Consumer Relations
Atención a: Servicio de Atención al Cliente
À l'attention de: Service à la clientèle

Online Registration - Registro online - Enregistrement en ligne:

www.yardistrystructures.com/warranty

Hours/ Heures/ Horas: 8:30 am - 5:00 pm EST
(excl. holidays/ hors jours fériés/ excepto los días festivos)

English and French Spoken / Anglais et français parlés / Inglés y francés hablado

Yardistry would like to say "Thank you" for your time and feedback.
Yardistry quiere "Agradecerle" por su tiempo y su opinión.
Yardistry aimerait vous remercier d'avoir pris le temps de répondre au sondage.