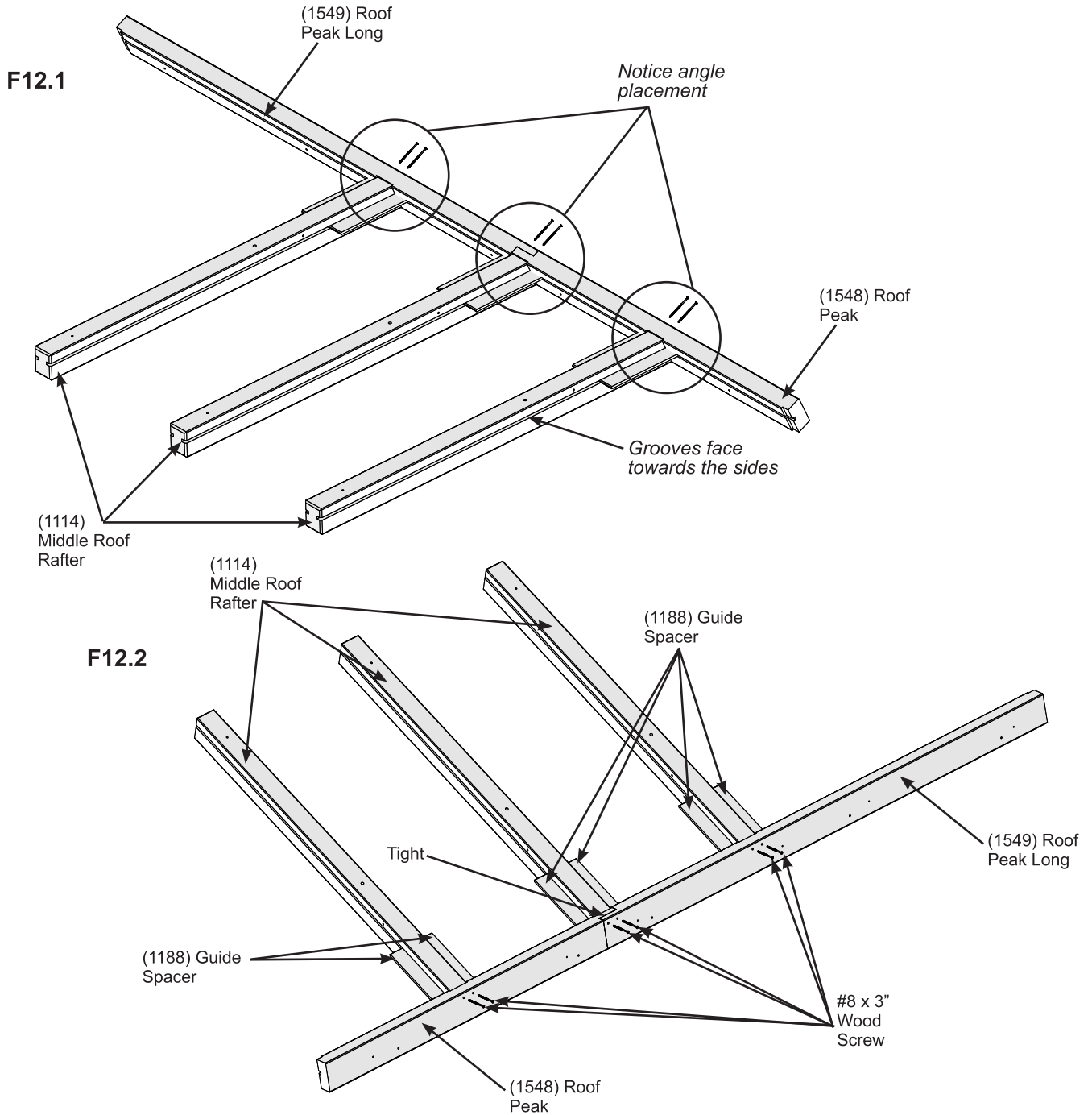


Step 12: Roof Peak Assembly Part 1

A: Place (1548) Roof Peak and (1549) Roof Peak Long so the laps are tight together and the grooves are aligned. Place three (1114) Middle Roof Rafters in the notches of (1548) Roof Peak and (1549) Roof Peak Long. Angled end of rafters tight to (1548) Roof Peak and (1549) Roof Peak Long. Groove of (1548) Roof Peak and (1549) Roof Peak Long is towards the top of the board and grooves in (1114) Middle Roof Rafters face the sides and should line up with grooves in the Roof Peaks. Use (1188) Guide Spacers in grooves of (1548) Roof Peak, (1549) Roof Peak Long and (1114) Middle Roof Rafter for accurate positioning then attach with two #8 x 3" Wood Screws per rafter. Remove (1188) Guide Spacers (F12.1 and F12.2)



Wood Parts

- 6 x (1114) Middle Roof Rafter
- 2 x (1548) Roof Peak
- 2 x (1549) Roof Peak Long

Hardware

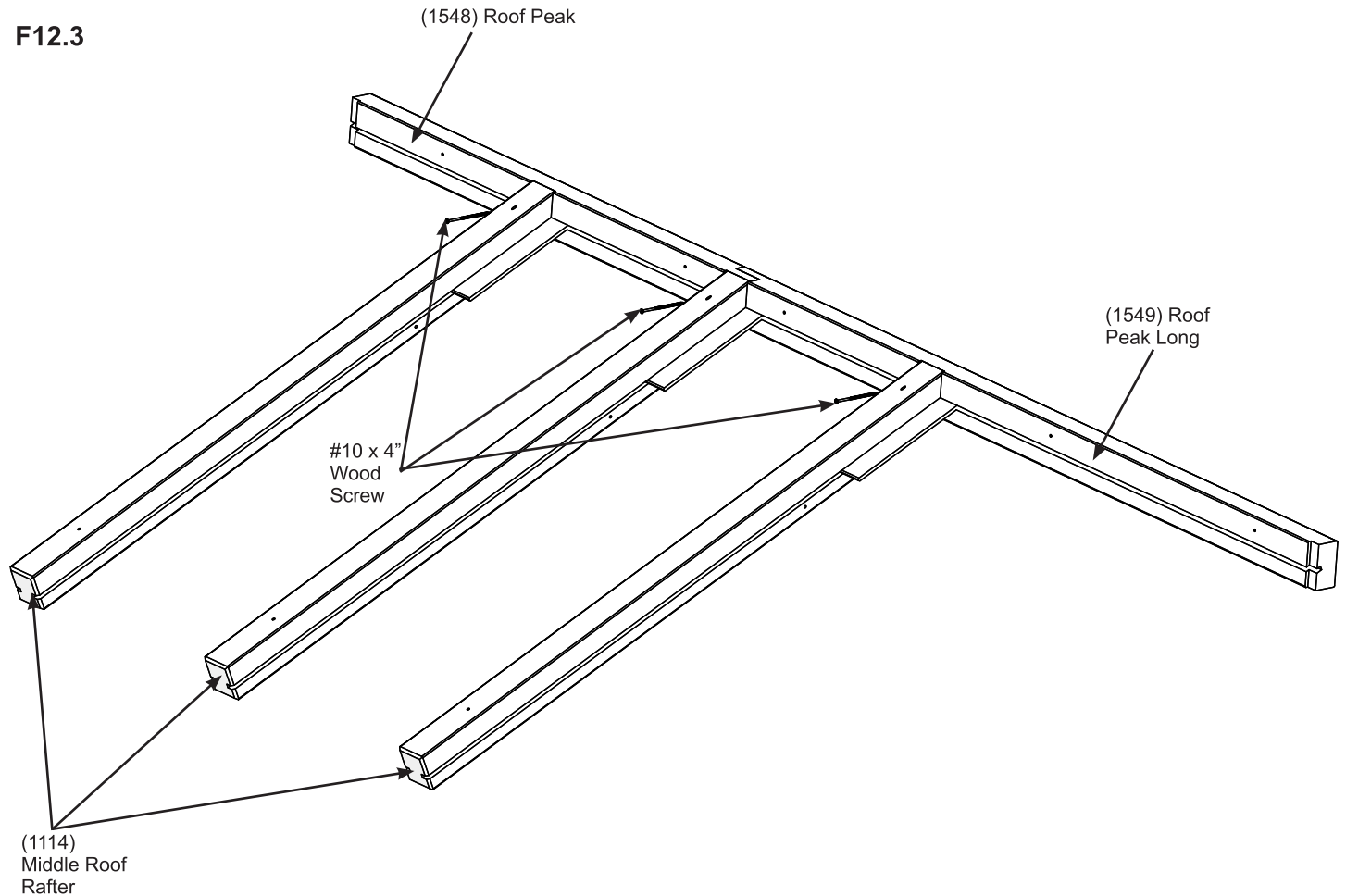
- 12 x #8 x 3" Wood Screw

Step 12: Roof Peak Assembly Part 2

B: Flip the assembly over then attach each (1114) Middle Roof Rafter to (1548) Roof Peak and (1549) Roof Peak Long with one #10 x 4" Wood Screw per rafter. Screws are installed at an angle. (F12.3)

C: Repeat Steps A-B for a second Roof Peak Assembly.

F12.3



Hardware

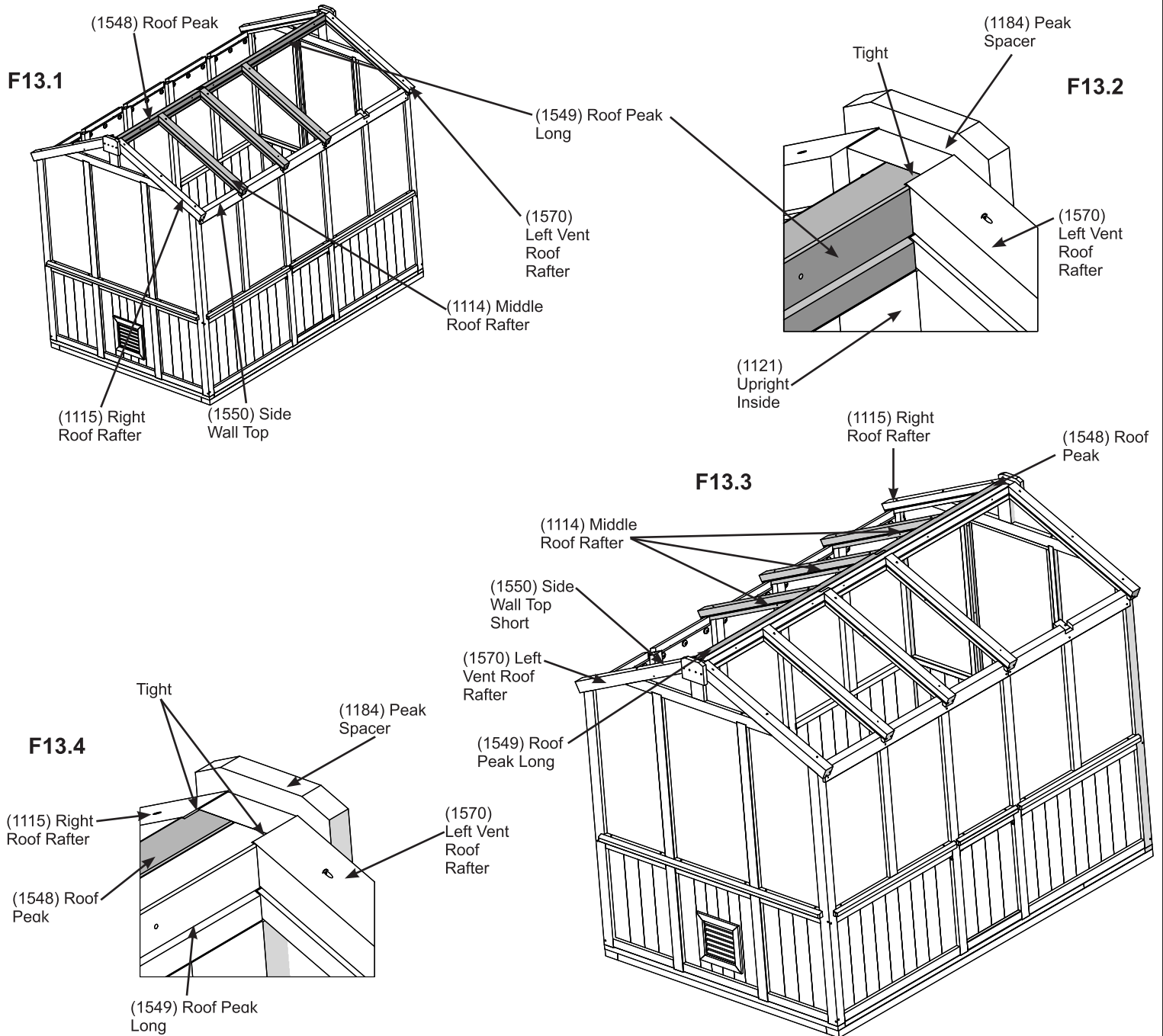
6 x #10 x 4" Wood Screw

Step 13: Attach Roof Assemblies to Frame Part 1



A: With adult helpers lift Roof Peak Assembly over frame and place (1548) Roof Peak and (1549) Roof Peak Long on (1121) Upright Insides, tight to (1184) Peak Spacer, (1115) Right Roof Rafter and (1570) Left Vent Roof Rafter. (1114) Middle Roof Rafters sit in notches of (1550) Side Wall Top. Have one person hold assembly in place until secure. (F13.1 and F13.2)

B: Repeat Step A for second Roof Peak Assembly. (1548) Roof Peak and (1549) Roof Peak Long placed on (1121) Upright Insides, tight to (1184) Peak Spacer, (1115) Right Roof Rafter and (1570) Left Vent Roof Rafter. (F13.3 and F13.4)



Step 13: Attach Roof Assemblies to Frame Part 2

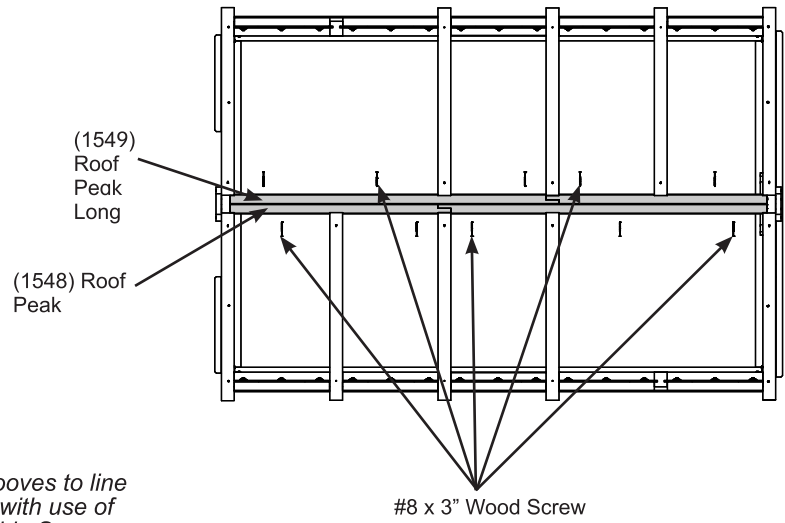


Use (1188) Guide Spacer to make sure grooves in Peak Assemblies are lined up with grooves in Rafters.

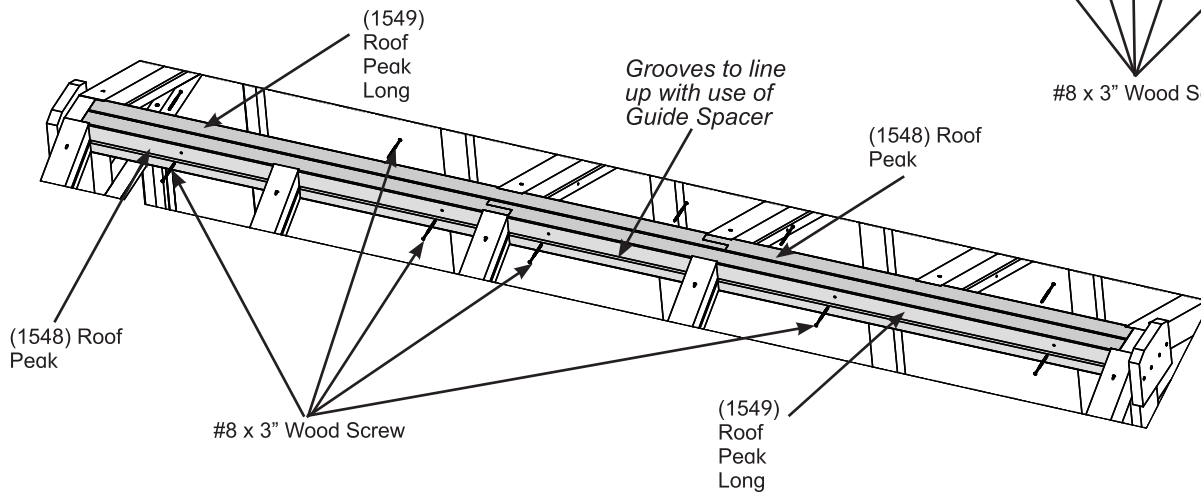
C: Secure Roof Peak Assemblies together with ten #8 x 3" Wood Screws. (F13.5 and F13.6)

D: Connect each (1184) Peak Spacer to (1548) Roof Peak and (1549) Roof Peak Long with two #10 x 4" Wood Screws per end. (F13.7 and F13.8)

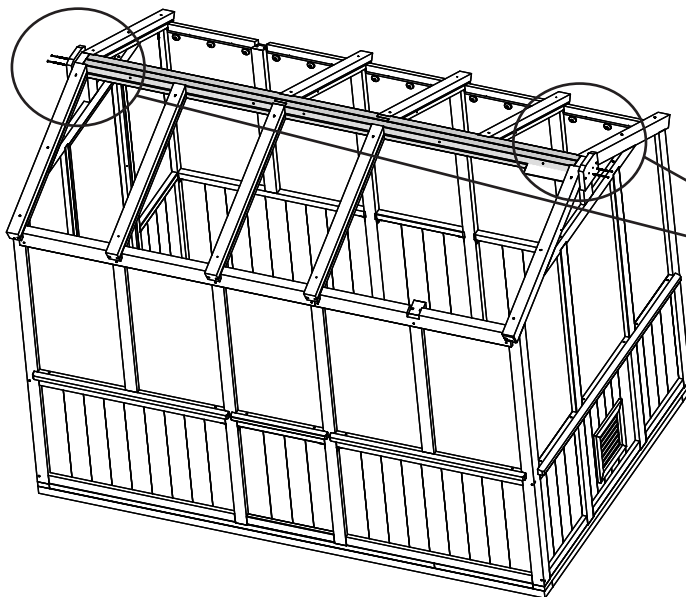
F13.5



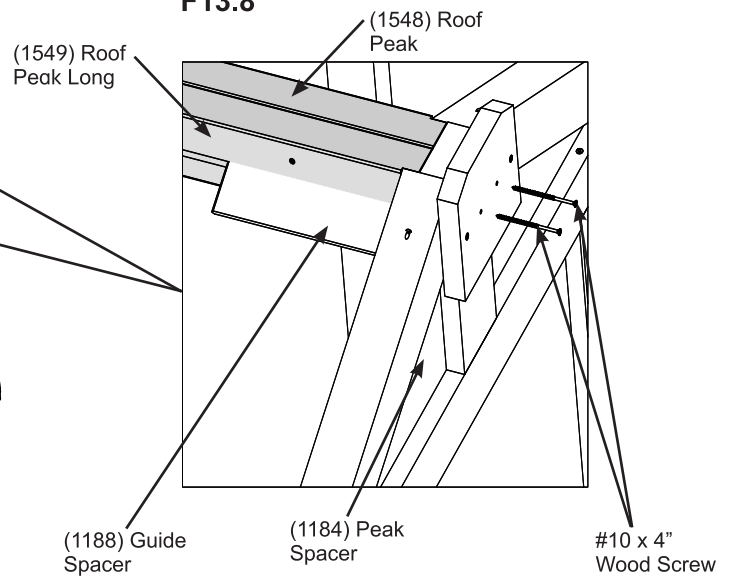
F13.6



F13.7



F13.8



Hardware

10 x #8 x 3" Wood Screw

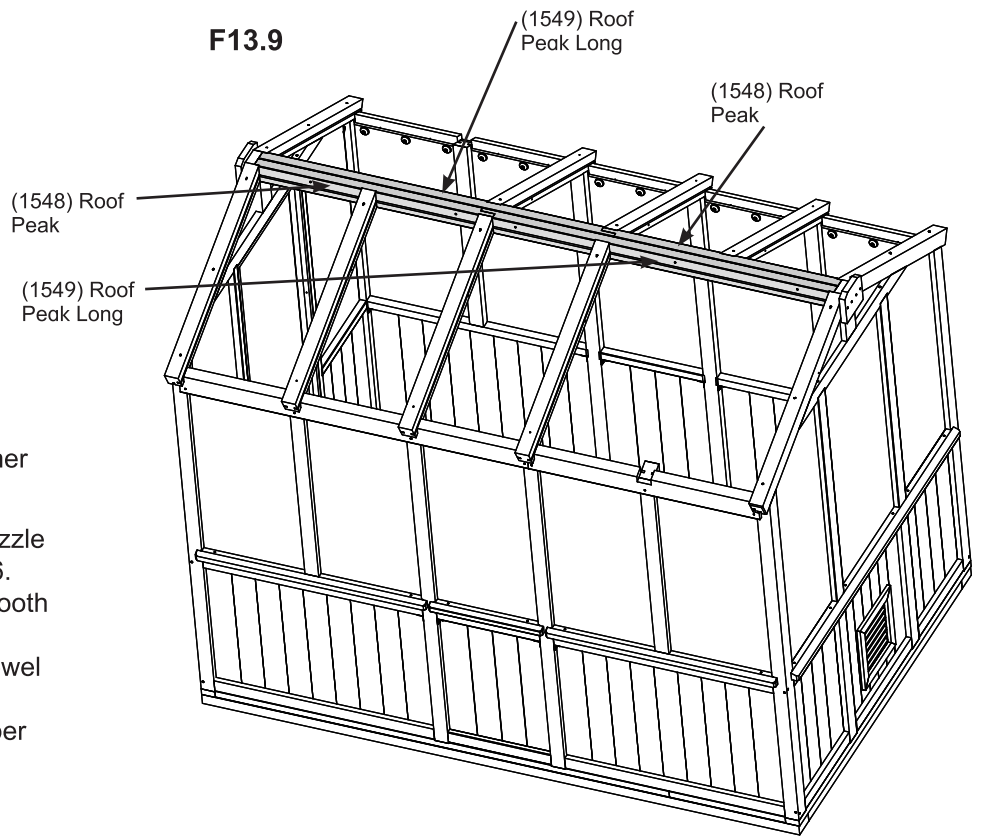
4 x #10 x 4" Wood Screw

Step 13: Attach Roof Assemblies to Frame Part 3



E: Apply silicone sealant at top of assembly where (1548) Roof Peak and (1549) Roof Peak Long join. Sealant should be applied in small beads and smoothed out. (F13.9 and F13.10)

F13.9

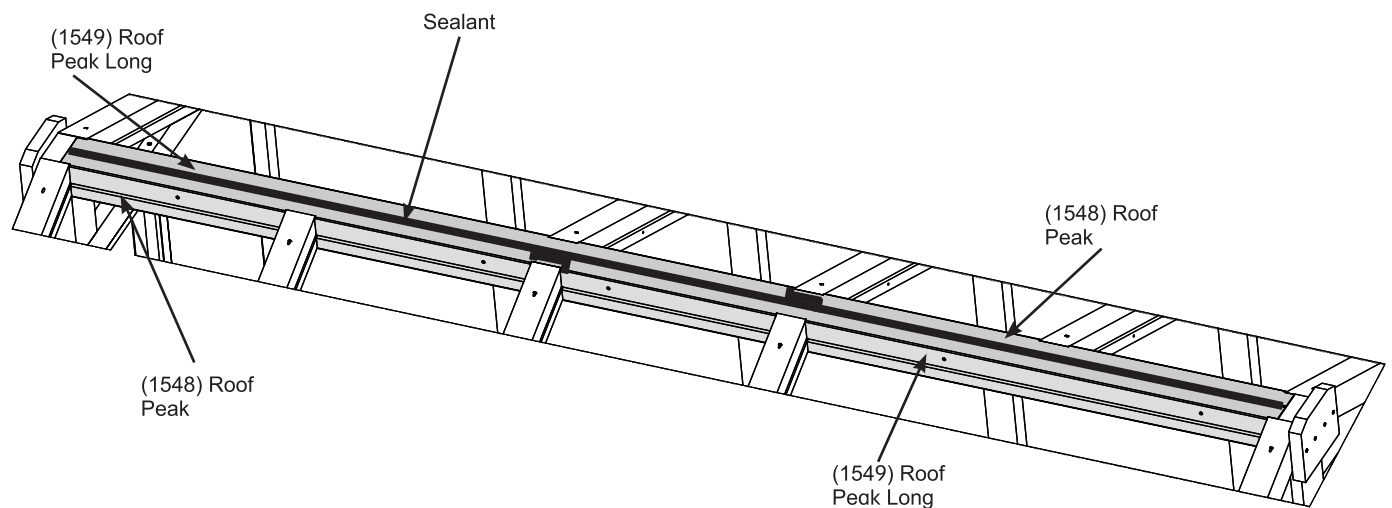


Note: All surfaces to be clean, dry, dust and grease free before application with temperatures above 5°C (41°F), no warmer than 35°C (95°F).

- Cut off tip of tube, attach supplied nozzle then put in caulking gun. See page 6.
- Apply sealant in small beads and smooth as required.
- Clean excess with a cloth or paper towel before it skins over.
- Always wear safety glasses and rubber gloves when using product.

See page 6 for Warning and First Aid Information.

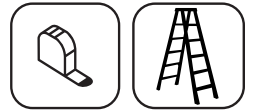
F13.10



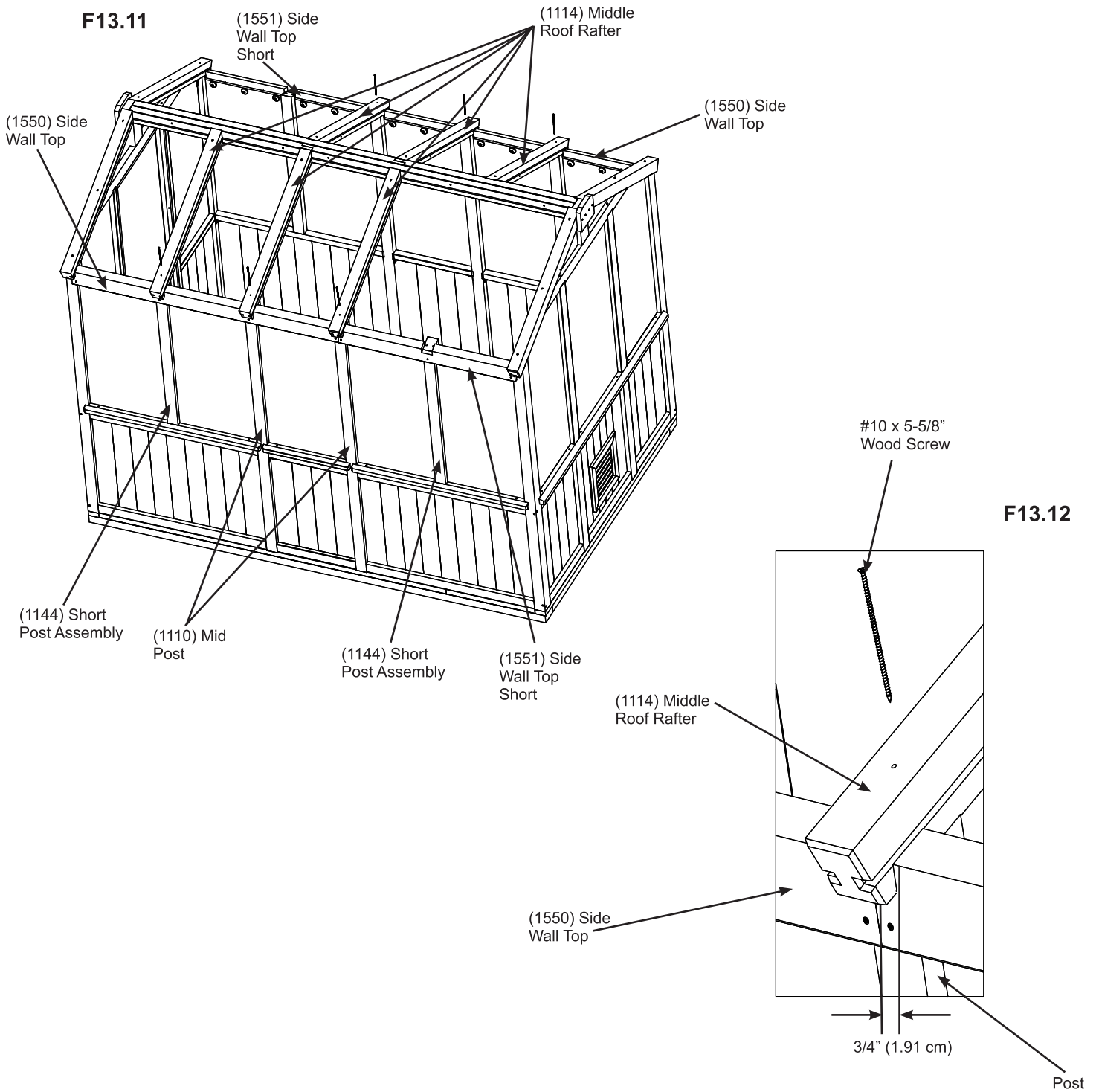
Components

Sealant

Step 13: Attach Roof Assemblies to Frame Part 4



F: Make sure each (1114) Middle Roof Rafter overhangs (1550) Side Wall Tops by 3/4" (1.91 cm). Secure (1114) Middle Roof Rafters to (1110) Mid Posts and (1144) Short Post Assemblies with one #10 x 5-5/8" Wood Screw per rafter. (F13.11 and F13.12)



Hardware

6 x #10 x 5-5/8" Wood Screw

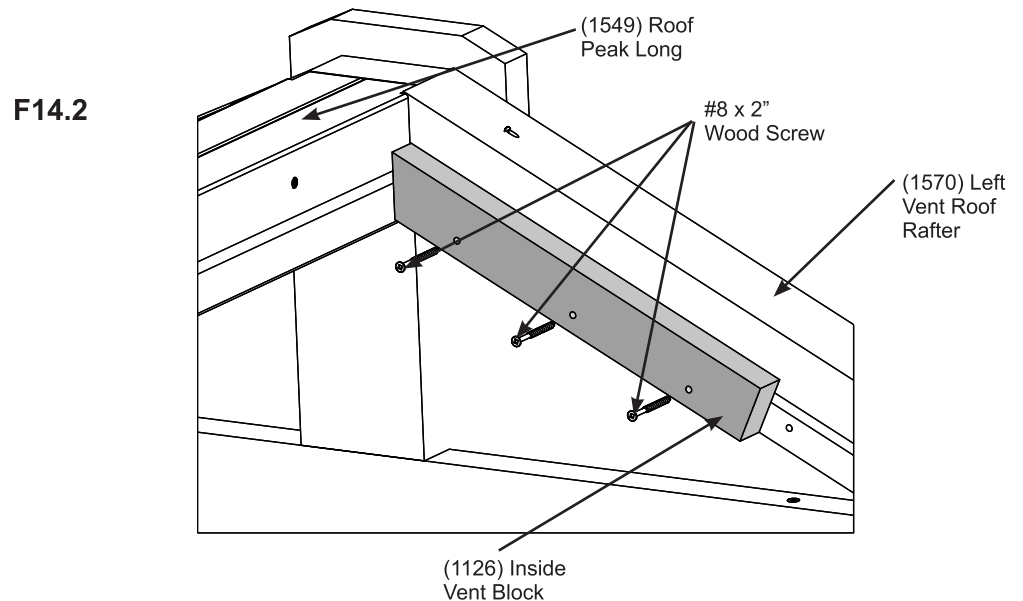
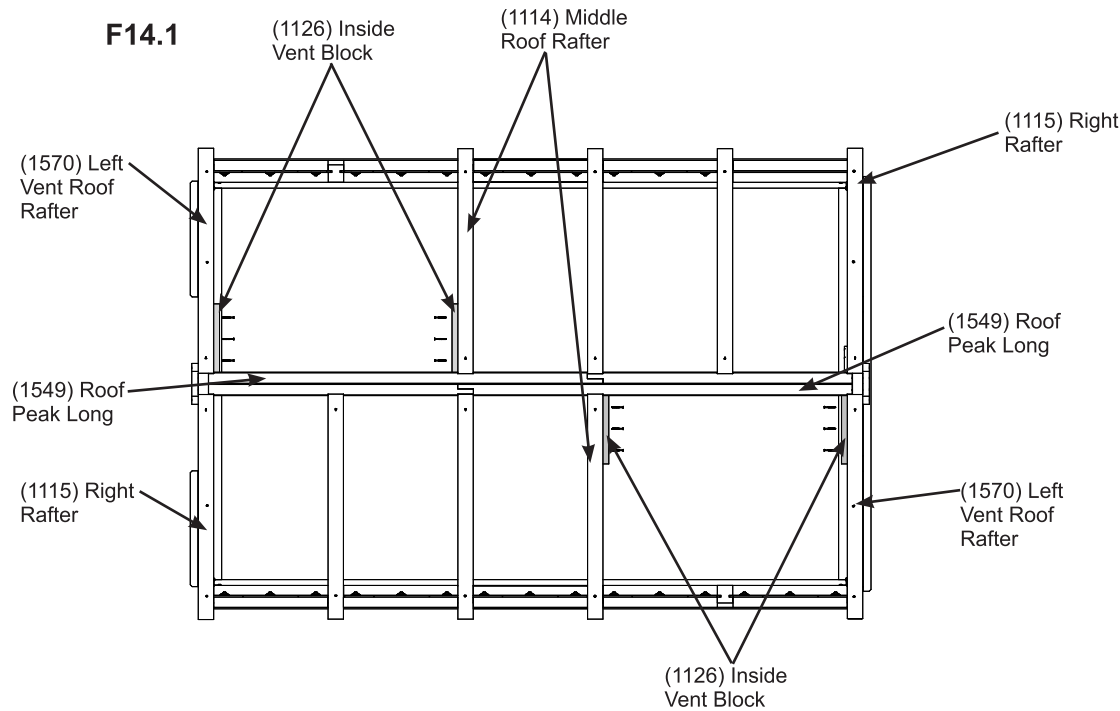
Step 14: Vent Roof Assembly

Part 1



A: On the inside of each (1570) Left Vent Roof Rafter, place one (1126) Inside Vent Block with the angled end tight to the bottom of (1549) Roof Peak Long and sides flush to the bottom of each rafter. Attach (1126) Inside Vent Block to (1570) Left Vent Roof Rafter with three #8 x 2" Wood Screws per block. (F14.1 and F14.2)

B: On the inside of (1114) Middle Roof Rafter opposite the (1570) Left Vent Roof Rafter, place one (1126) Inside Vent Block with the angled end tight to the bottom of (1549) Roof Peak Long and sides flush to the bottom of each rafter. Attach (1126) Inside Vent Block to (1114) Middle Roof Rafter with three #8 x 2" Wood Screws per block. (F14.1 and F14.2)



Wood Parts

4 x (1126) Inside Vent Block

Hardware

12 x #8 x 2" Wood Screw

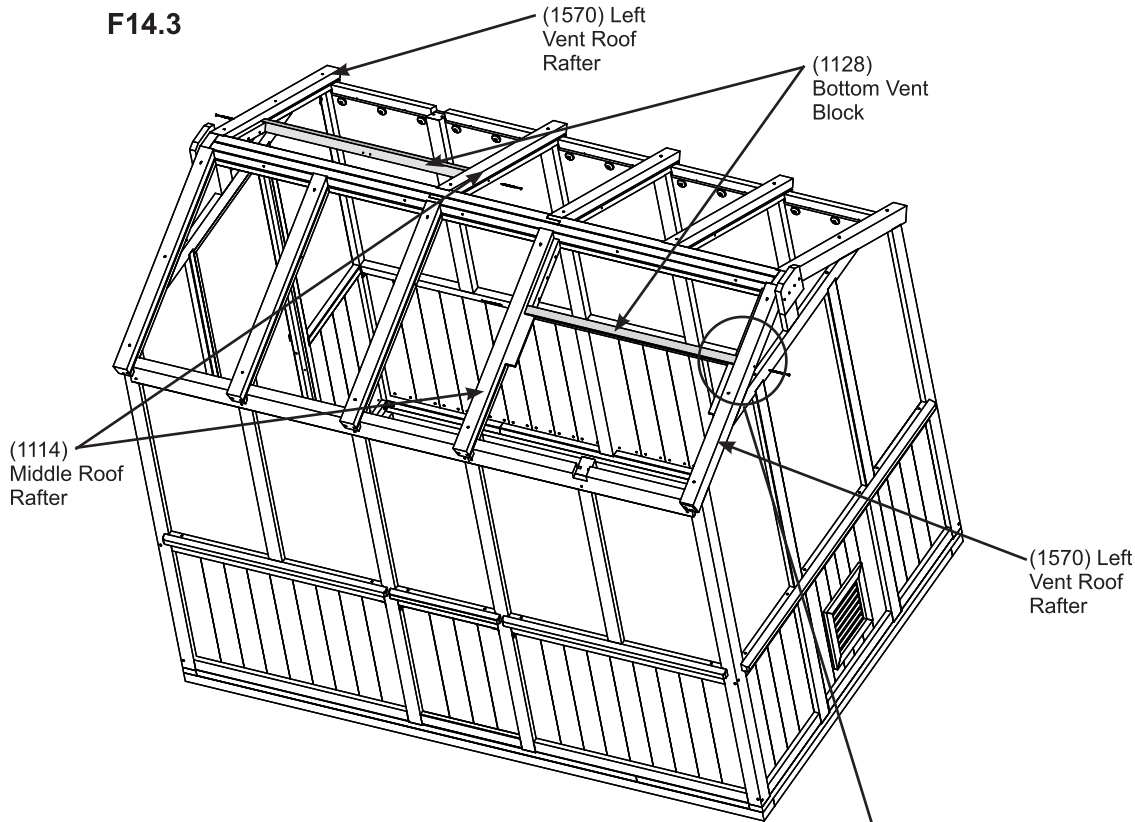
Step 14: Vent Roof Assembly

Part 2

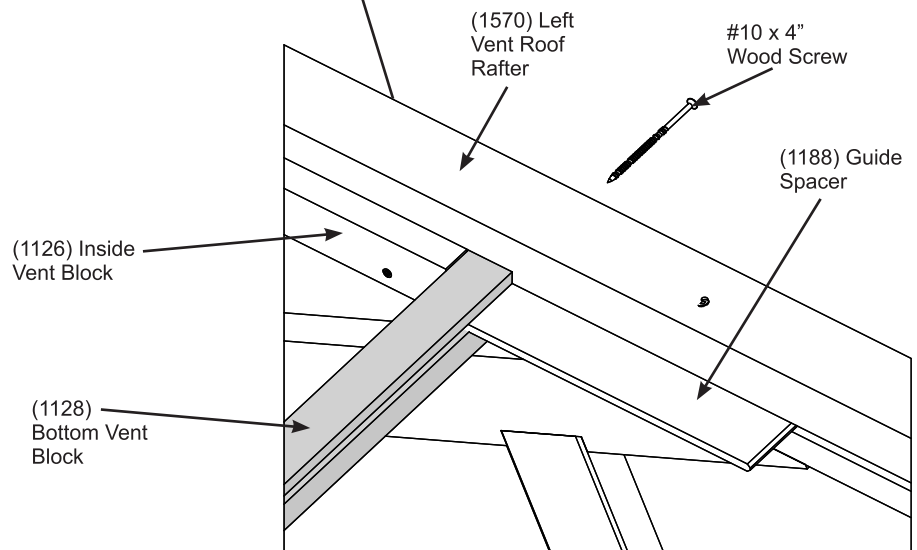


C: Tight to the bottom of (1126) Inside Vent Blocks, with grooves facing up, place (1128) Bottom Vent Block. Use (1188) Guide Spacers in grooves of (1114) Middle Roof Rafters and (1570) Left Vent Roof Rafters and (1128) Bottom Vent Block for accurate positioning then attach (1114) Middle Roof Rafter and (1570) Left Vent Roof Rafter to (1128) Bottom Vent Block with one #10 x 4" Wood Screw per rafter. Remove (1188) Guide Spacers. (F14.3 and F14.4)

F14.3



F14.4



Wood Parts

2 x (1128) Bottom Vent Block

Hardware

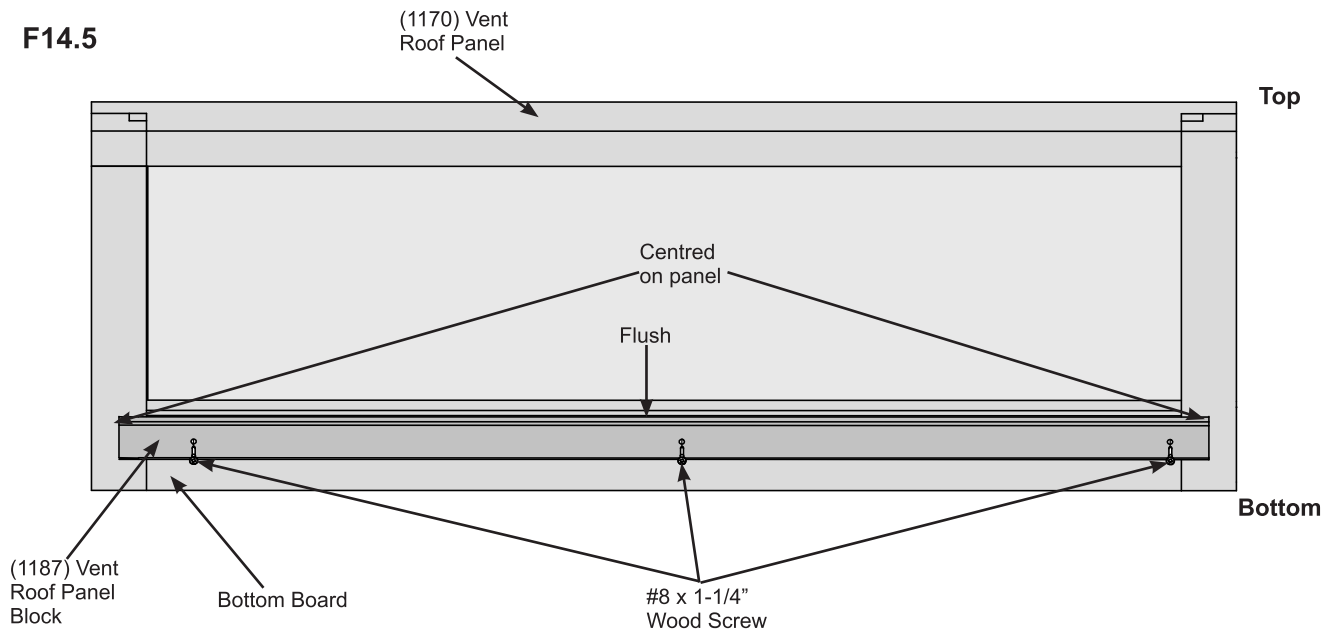
4 x #10 x 4" Wood Screw

Step 14: Vent Roof Assembly

Part 3

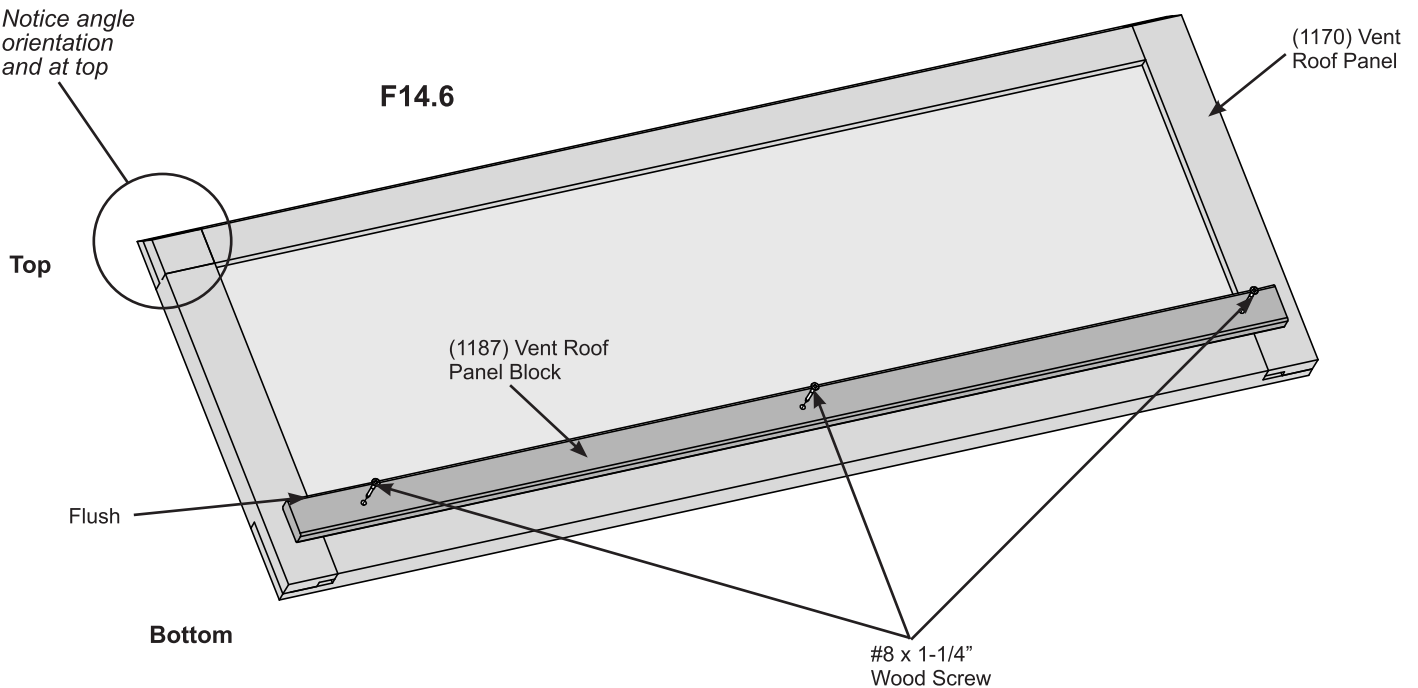
D: On the bottom of two (1170) Vent Roof Panels, flush to the bottom board and centred on the panels, attach (1187) Vent Roof Panel Block with three #8 x 1-1/4" Wood Screws per panel. (F14.5 and F14.6)

F14.5



Notice angle orientation and at top

F14.6



Wood Parts

- 2 x (1170) Vent Roof Panel
- 2 x (1187) Vent Roof Panel Block

Hardware

- 6 x #8 x 1-1/4" Wood Screw

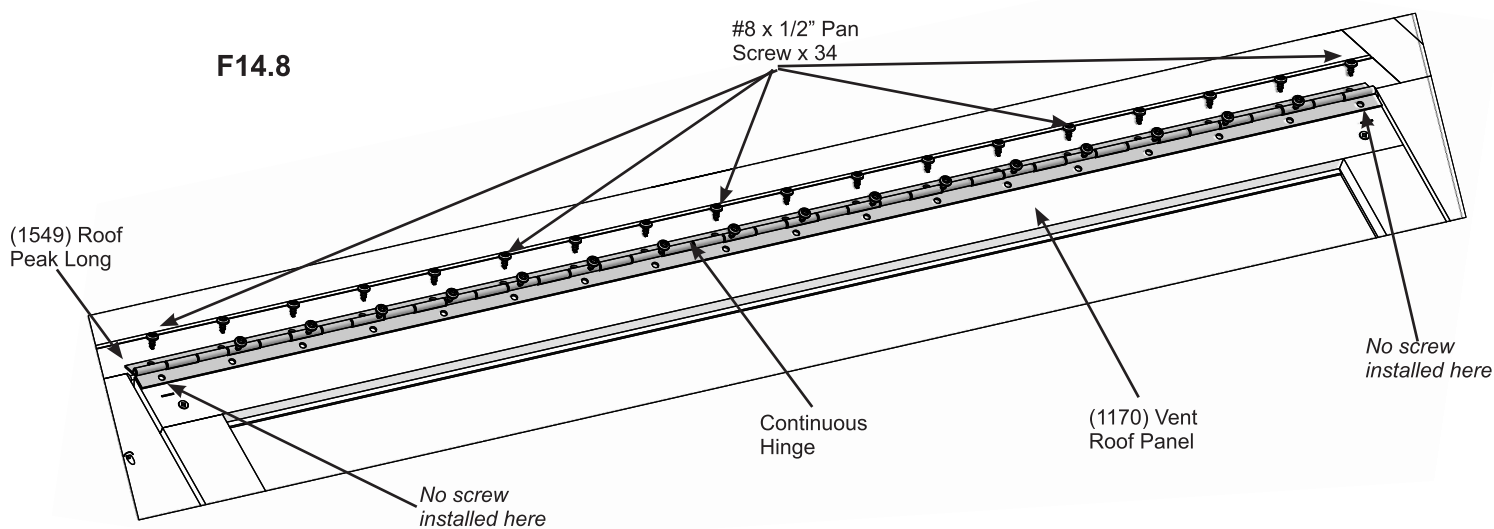
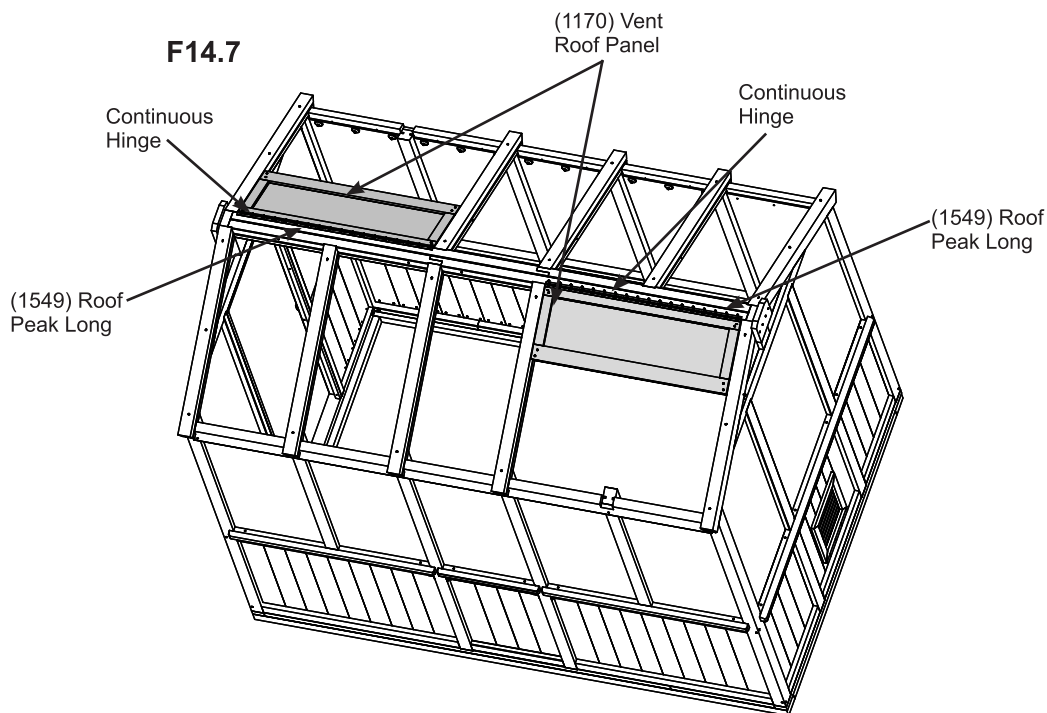
Step 14: Vent Roof Assembly

Part 4



E: Place (1170) Vent Roof Panel, with angled edge on top, over (1126) Inside Vent Blocks and (1128) Bottom Vent Block and tight to (1549) Roof Peak Long. (1187) Vent Roof Panel Block faces down. (F14.7)

F: Place Continuous Hinge on (1549) Roof Peak Long and (1170) Vent Roof Panel and attach with 34 #8 x 1/2" Pan Screws. Do not install screws at the end of the hinge on (1170) Vent Roof Panel. (F14.7 and F14.8)



Components

2 x Continuous Hinge

Hardware

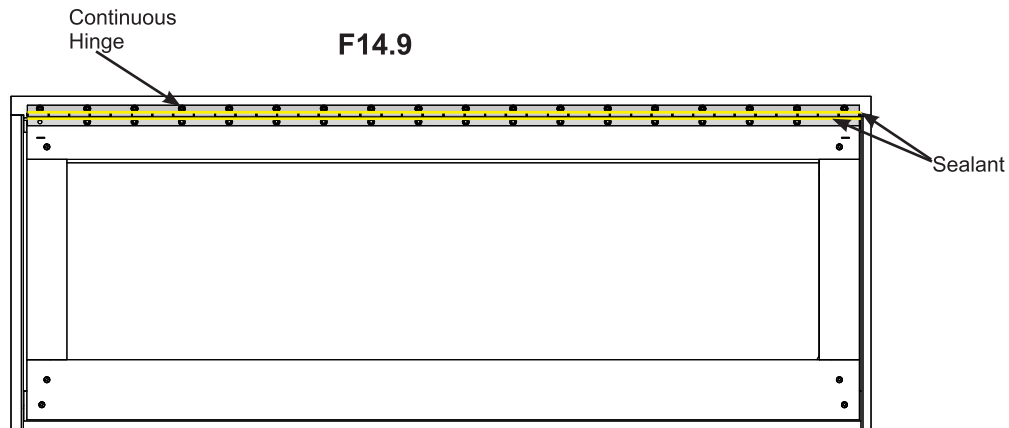
68 x #8 x 1/2" Pan Screw

Step 14: Vent Roof Assembly Part 5



G: Apply silicone caulking on the top of the Continuous Hinge so the silicone completely covers the pivot joints. (F14.9)

H: Repeat Steps E-G for second Vent Roof Panel.



Note: All surfaces to be clean, dry, dust and grease free before application with temperatures above 5°C (41°F), no warmer than 35°C (95°F).

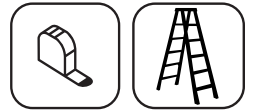
- Cut off tip of tube, attach supplied nozzle then put in caulking gun. See page 6.
- Apply sealant in small beads and smooth as required.
- Clean excess with a cloth or paper towel before it skins over.
- Always wear safety glasses and rubber gloves when using product.

See page 6 for Warning and First Aid Information.

Components

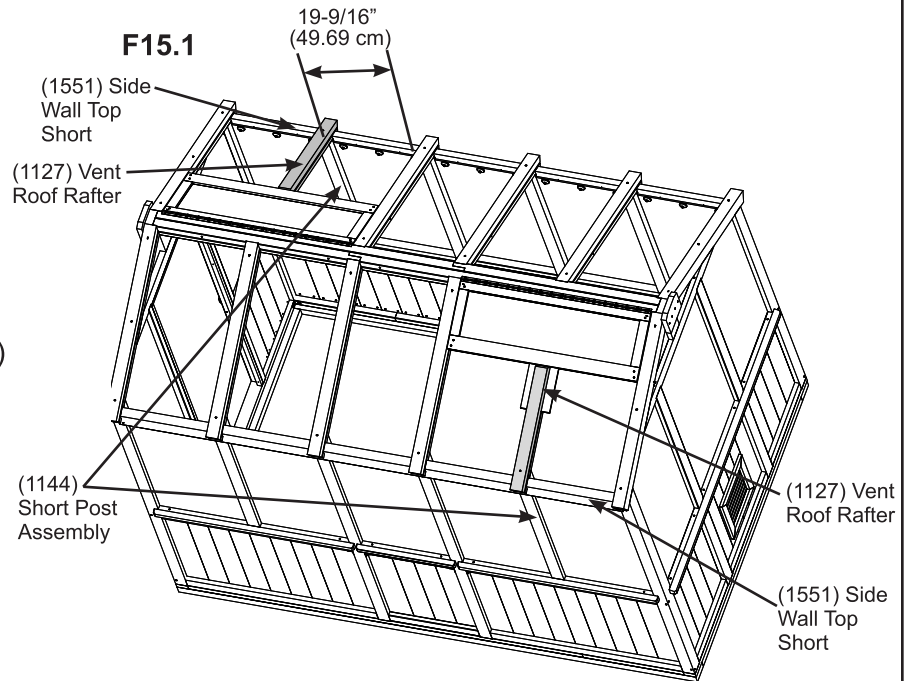
Sealant

Step 15: Attach Vent Roof Rafter



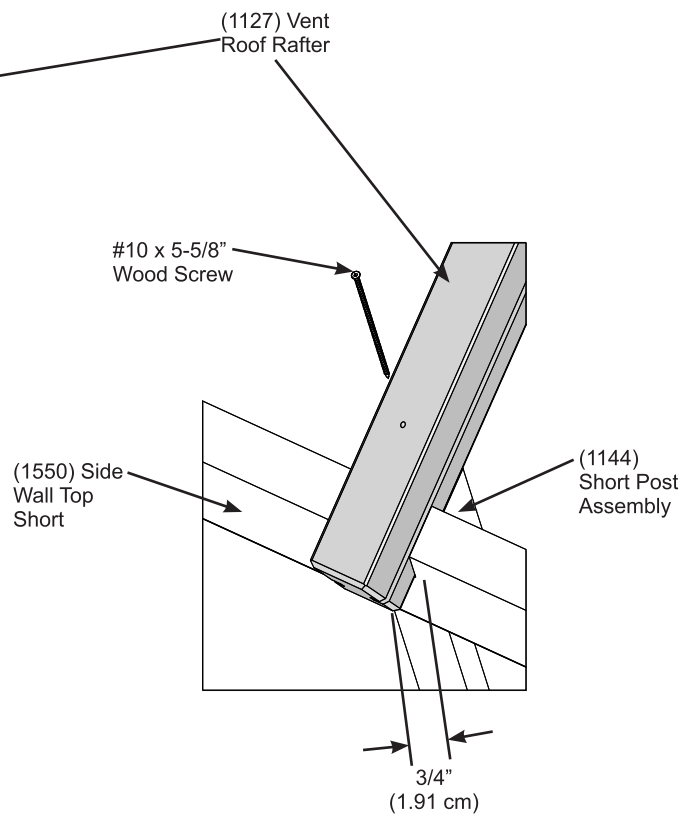
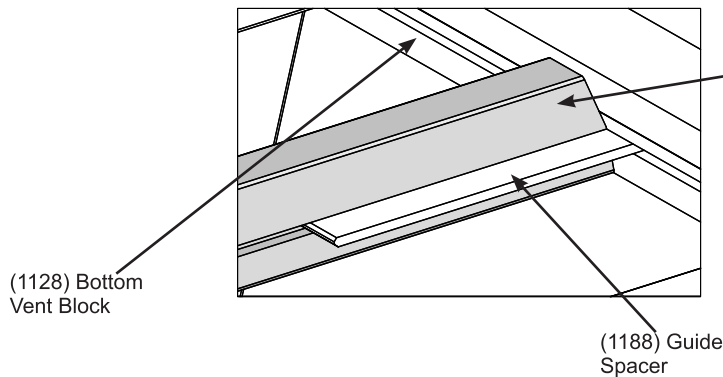
A: Place (1127) Vent Roof Rafter tight to (1128) Bottom Vent Block so it fits in the notch of (1551) Side Wall Top Short. Use (1188) Guide Spacers in grooves of (1128) Bottom Vent Block and (1127) Vent Roof Rafter for accurate positioning then attach (1128) Bottom Vent Block to (1127) Vent Roof Rafter with two #8 x 3" Wood Screws. Remove (1188) Guide Spacers. The distance between rafter will be 19-9/16" (49.69 cm). (F15.1, F15.2 and F15.3)

B: Make sure (1127) Vent Roof Rafter overhangs (1551) Side Wall Top Short by 3/4" (1.91 cm) then attach to (1144) Short Post Assembly with one #10 x 5-5/8" Wood Screw per rafter. (F15.1 and F15.4)

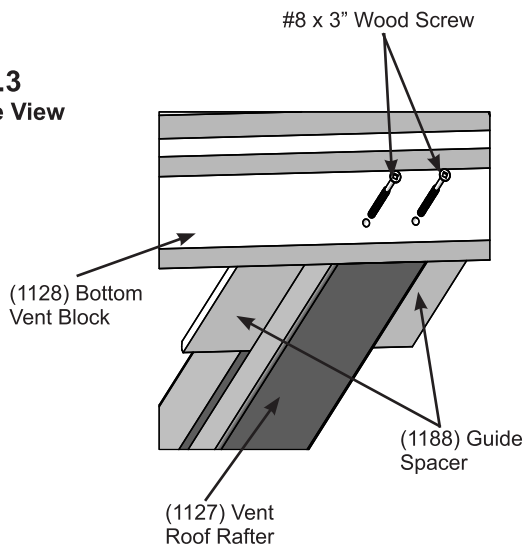


F15.2

F15.4



F15.3
Inside View



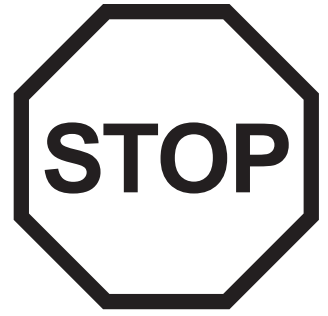
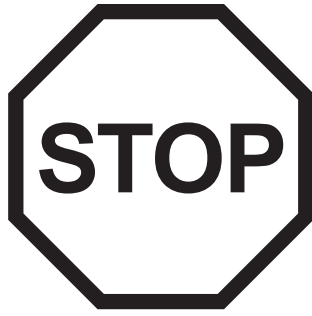
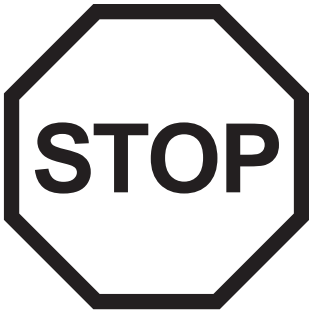
Wood Parts

2 x (1127) Vent Roof Rafter

Hardware

4 x #8 x 3" Wood Screw

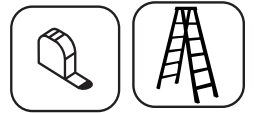
2 x #10 x 5-5/8" Wood Screw



IMPORTANT! SINGLE SPRING WINDOW OPENER INFORMATION

- **The Aluminum Single Spring Window Opener is designed to automatically open and close with changes in temperature. It must not be opened or closed manually. Doing so will result in damage to the component.**
- To change the opening temperature of the component:
 - One complete clockwise turn of the black cylinder will increase the opening temperature of the component by $0.5^{\circ}\text{C}/1^{\circ}\text{F}$
 - One counterclockwise turn will decrease the opening temperature of the component by $0.5^{\circ}\text{C}/1^{\circ}\text{F}$
- The opening temperature of this component can be set to open in temperatures between $16^{\circ}\text{C}/60^{\circ}\text{F}$ and $25^{\circ}\text{C}/77^{\circ}\text{F}$
- The black cylinder is the temperature sensitive component. This should never be used as a pry to manually open or close the vent.
- The cylinder must be in the closed position before it can be removed from the component. To remove the cylinder, remove the pin and unscrew the cylinder.

Step 16: Attach Single Spring Window Opener



Part 1

A: Reference the manufacturer's supplied instruction for assembling the Single Spring Window Opener.

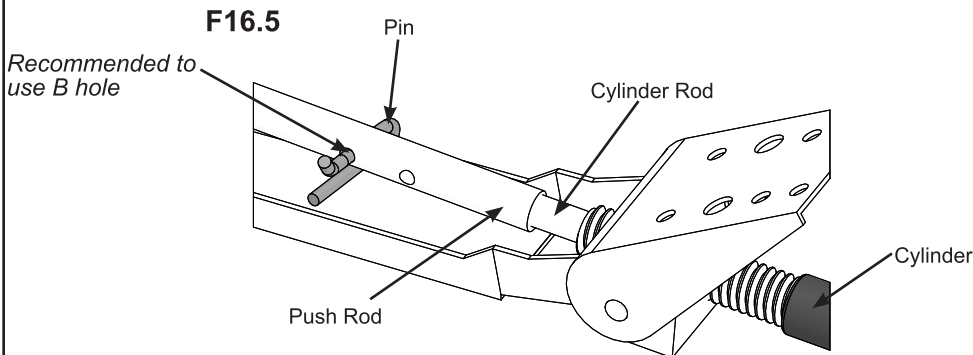
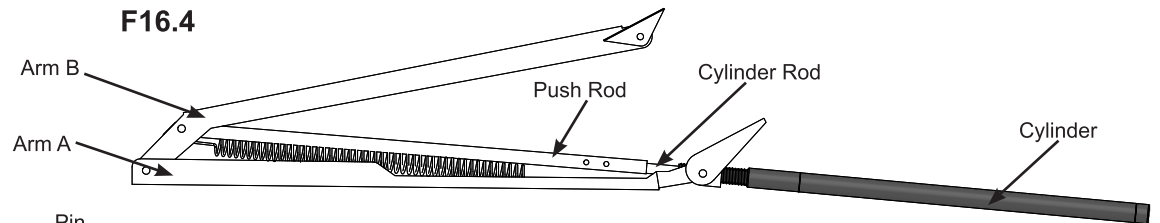
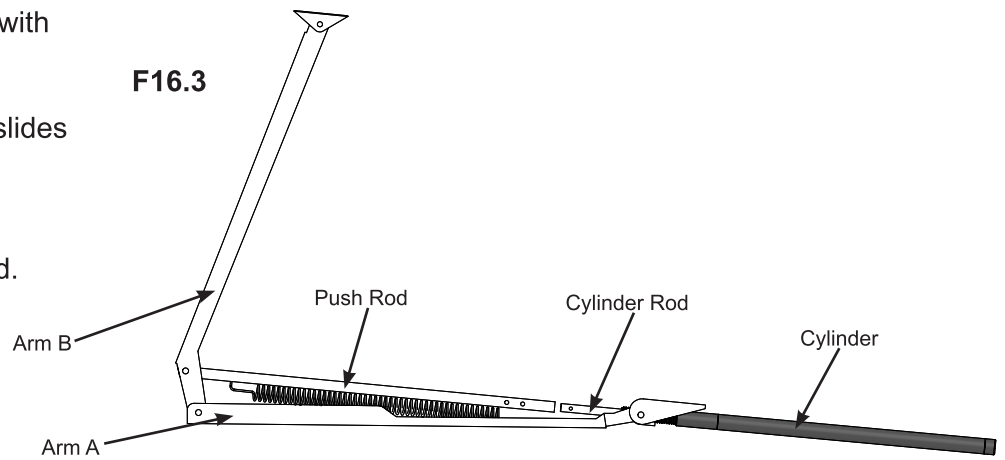
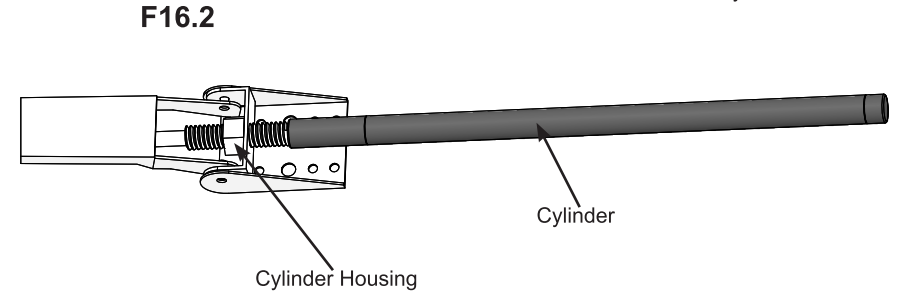
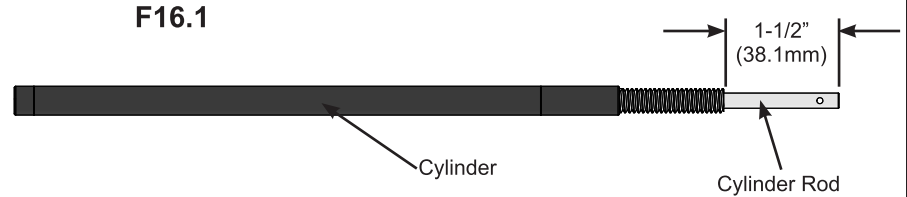
B: The Black Cylinder MUST be in the closed position prior to assembly. To close the cylinder, place it in the refrigerator for 5-7 minutes. After removing from the refrigerator push the Cylinder Rod so it is past the threads 1-1/2" (38.1m). (F16.1)

C: With the cylinder in the closed position screw the Cylinder into the Cylinder Housing halfway. (F16.2)

D: Lift Arm B so the Push Rod aligns with the Cylinder Rod. (F16.3)

E: Lower Arm B so the Cylinder Rod slides into the Push Rod and the holes align. (F16.4)

F: Insert pin in B hole of the Push Rod. (F16.5)



Components

2 x Single Spring Window Opener

Step 16: Attach Single Spring Window Opener



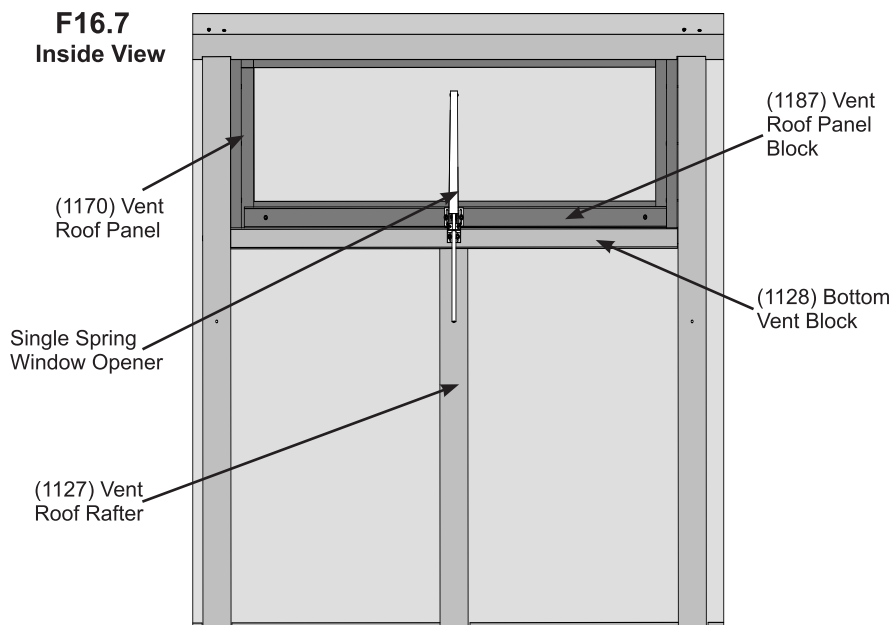
Part 2

G: From inside the assembly, centre Single Spring Window Opener on (1170) Vent Roof Panel so it is aligned with (1127) Vent Roof Rafter. Attach Window Brace A & B to (1187) Vent Roof Panel Block and Frame Bracket to (1128) Bottom Vent Block with two #10 x 1-1/4" Pan Screws per brace. Braces should be in alignment. (F16.6, F16.7, F16.8 and F16.9)

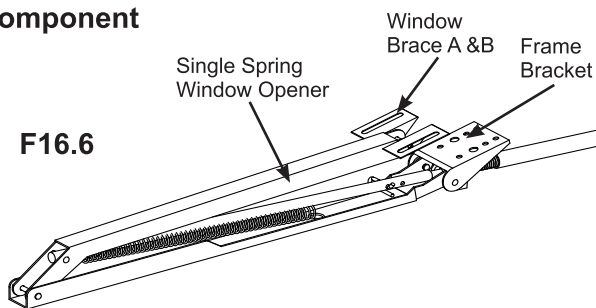
H: Repeats Steps A-G for second Vent Roof Panel.

I: The Aluminum Single Spring Window Opener is designed to automatically open and close with changes in temperature. **It must not be opened or closed manually. Doing so will result in damage to the component**

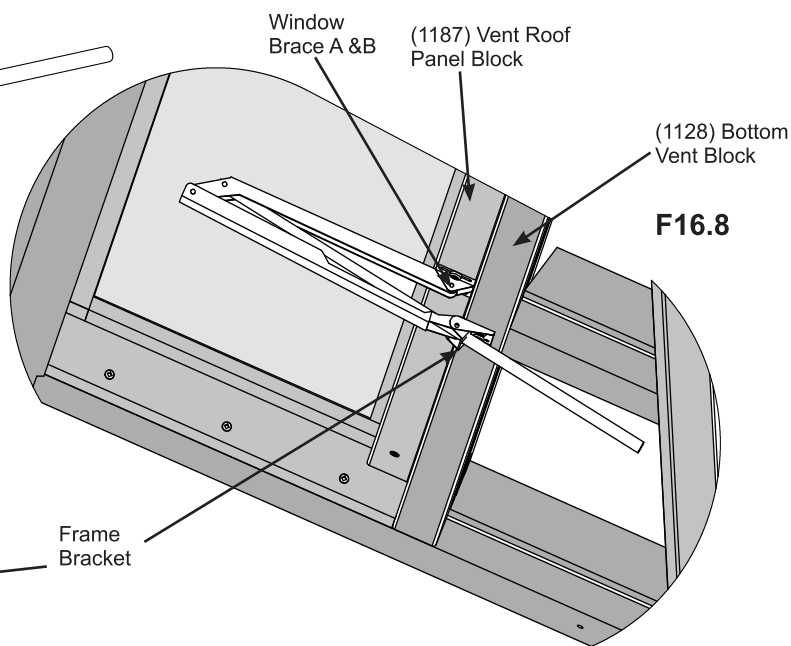
F16.7
Inside View



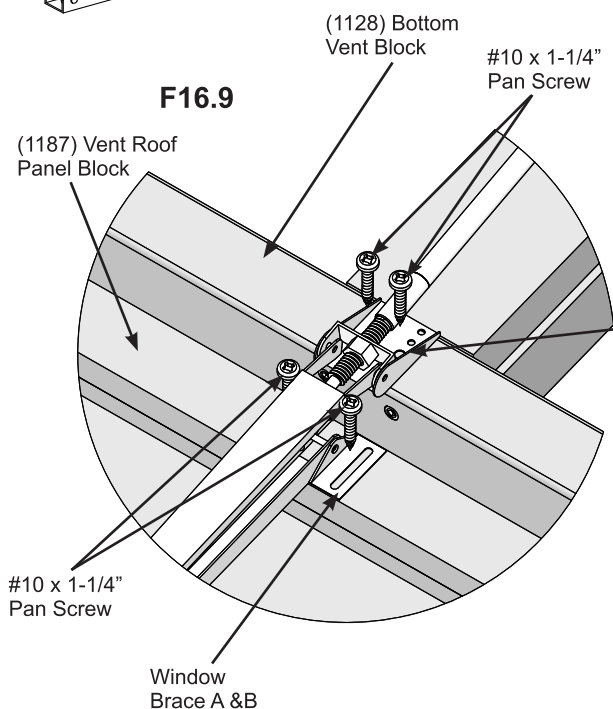
F16.6



F16.8



F16.9



Hardware

8 x #10 x 1-1/4" Pan Screw - Yellow

Step 17: Install Roof Panels

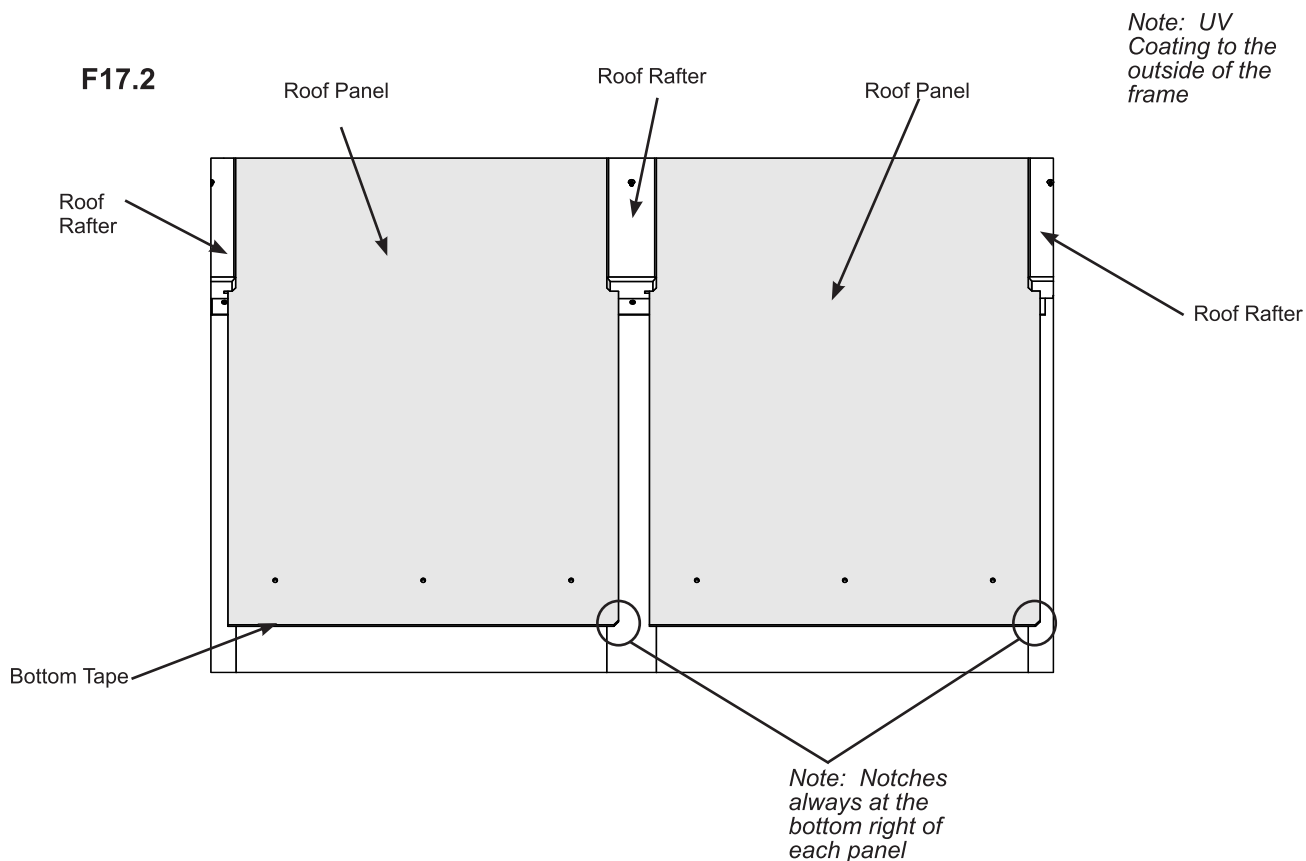
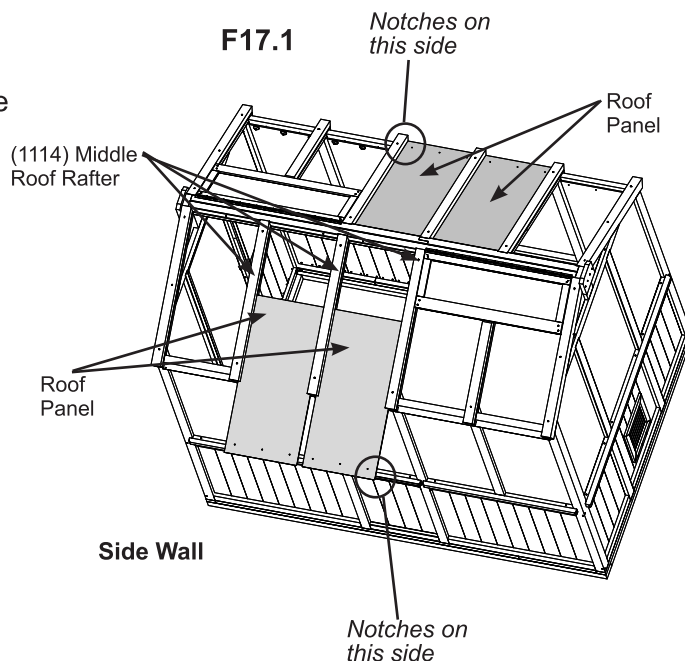
Part 1



Remove film from both sides of Roof Panels and Small Roof Panels.

A: Refer to pages 16 and 17 and apply top and bottom tape to Roof Panels and Small Roof Panels.

B: On each side wall in the grooves of (1114) Middle Rafters slide two Roof Panels up to fit in the grooves of (1548) Roof Peak and (1549) Roof Peak Long. Make sure the notch at the bottom is always on the right side of the panel. Holes are at the bottom of the panels. The UV coated side must be to the outside of the Assembly. (F17.1 and F17.2)



Components

- 4 x Roof Panel
- Top Tape
- Bottom Tape

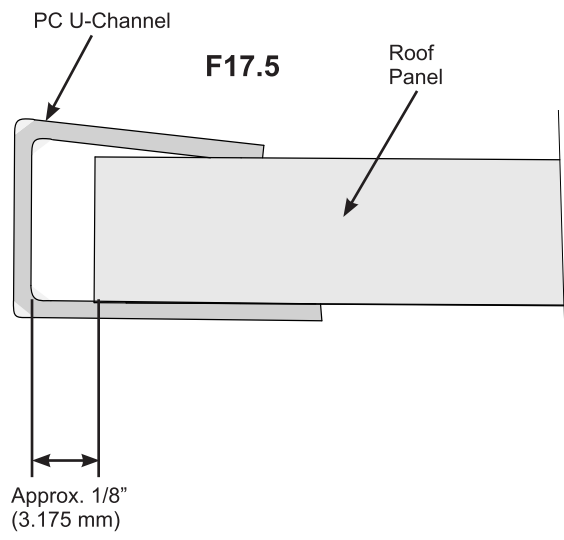
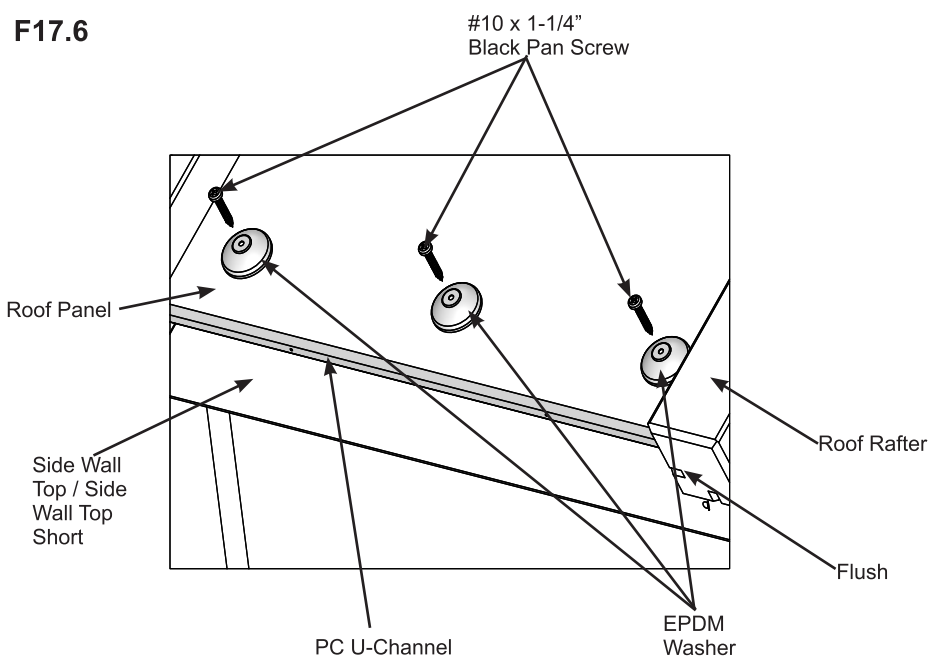
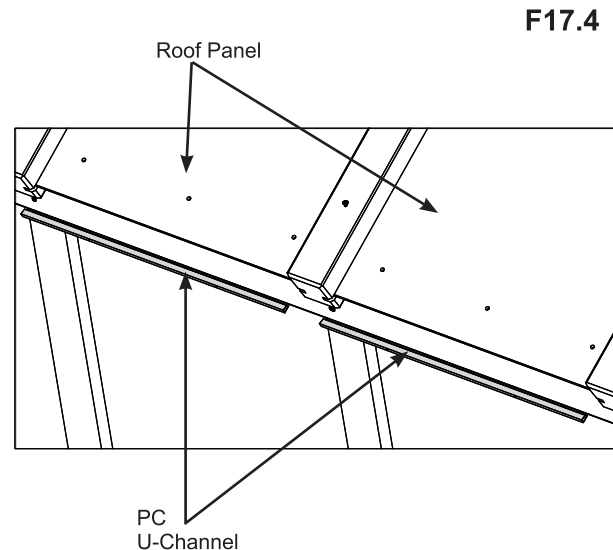
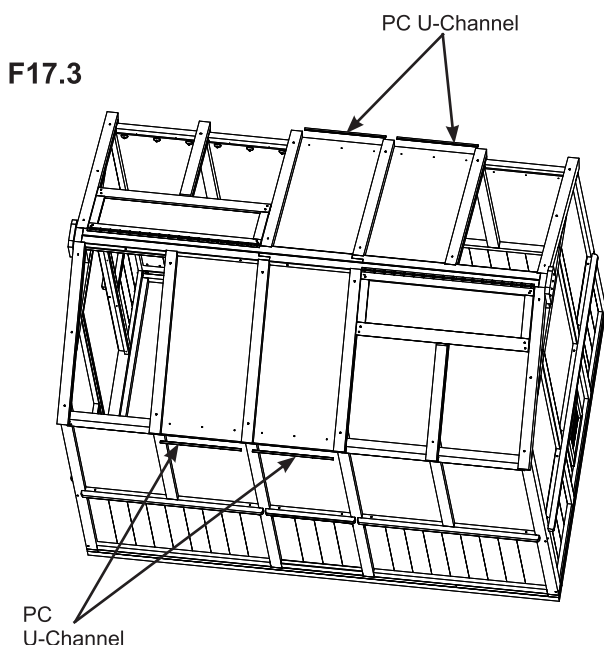
Step 17: Install Roof Panels

Part 2



C: On the bottom of each Roof Panel place one PC U-Channel with a gap of approximately 1/8" (3.175 mm) between end of Roof Panel and PC U-Channel. (F17.3, F17.4 and F17.5)

D: Make sure Roof Panels are flush to the bottom of the Roof Rafters. Attach bottom of each Roof Panel to (1550) Side Wall Tops and (1551) Side Wall Top Shorts using three #10 x 1-1/4" Black Pan Screws with EPDM washers per panel. (F17.6)



Components

4 x PC U-Channel

Hardware

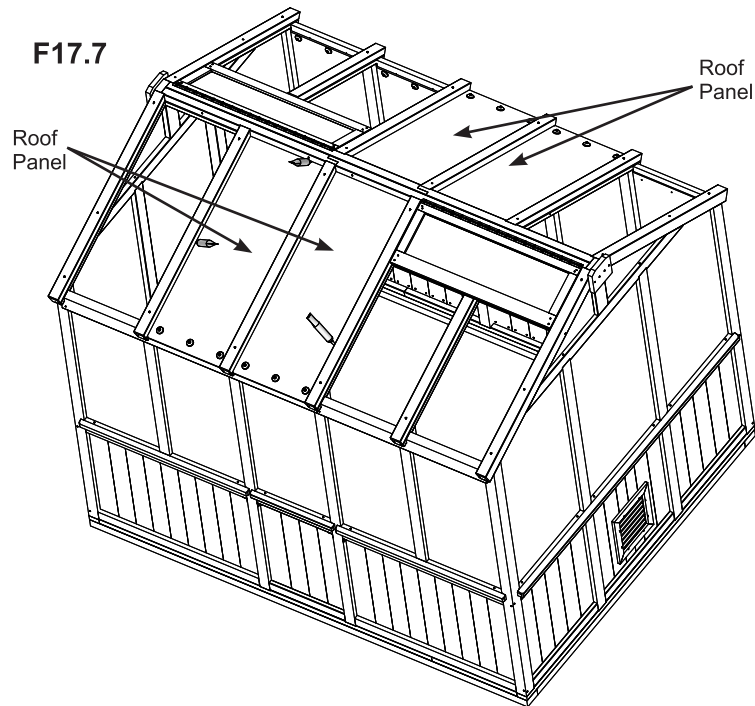
12 x #10 x 1-1/4" Black Pan Screw
12 x EPDM Washer

Step 17: Install Roof Panels

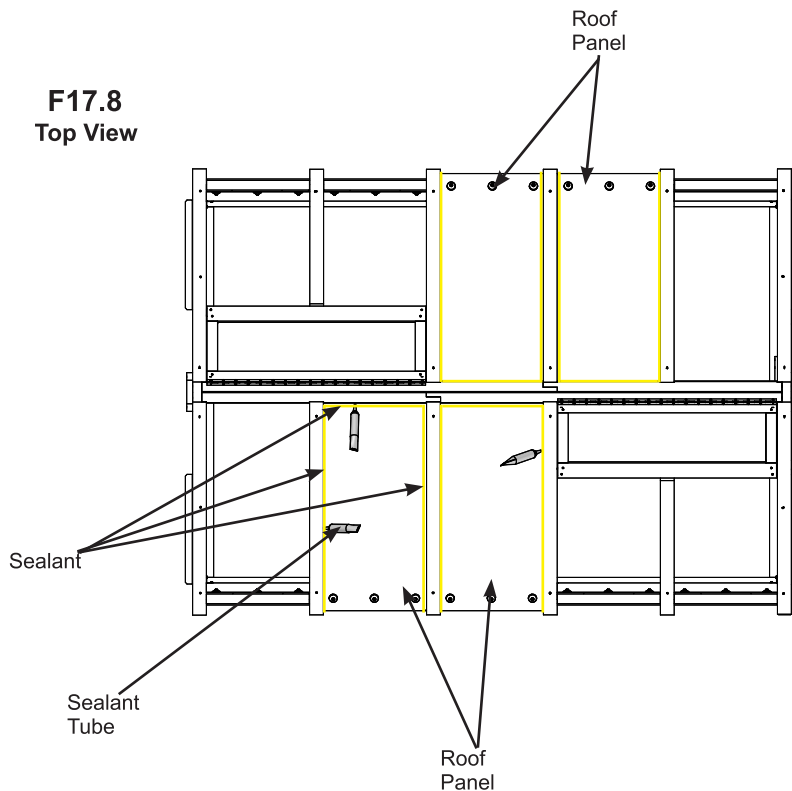
Part 3



E: On the outside of the assembly apply silicone sealant on three sides of each Roof Panel as shown in F17.8. Sealant should be applied in small beads and smoothed out. (F17.7 and F17.8)



F17.8
Top View



Note: All surfaces to be clean, dry, dust and grease free before application with temperatures above 5°C (41°F), no warmer than 35°C (95°F).

- Cut off tip of tube, attach supplied nozzle then put in caulking gun. See page 6.
- Apply sealant in small beads and smooth as required.
- Clean excess with a cloth or paper towel before it skins over.
- Always wear safety glasses and rubber gloves when using product.

See page 6 for Warning and First Aid Information.

Components

Sealant

Step 17: Install Roof Panels

Part 4

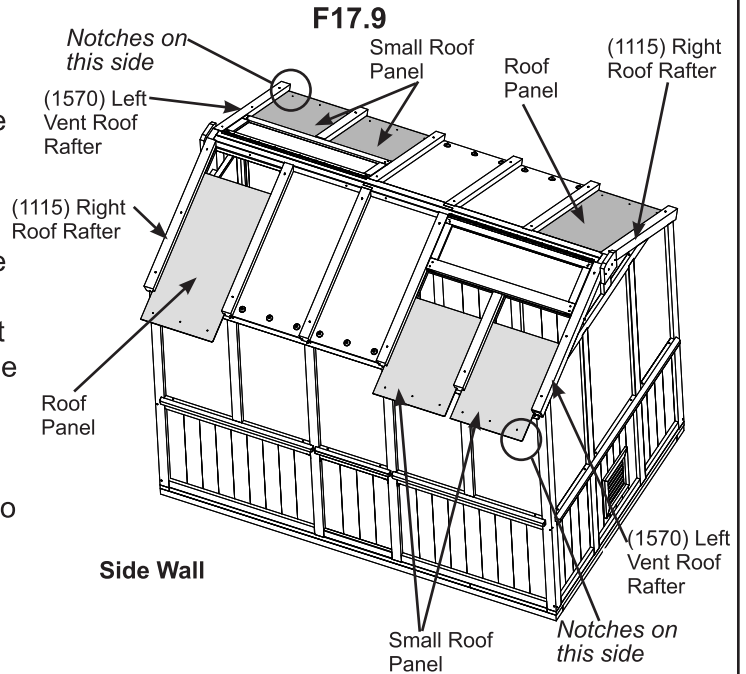


Remove film from both sides of Roof Panels and Small Roof Panels.

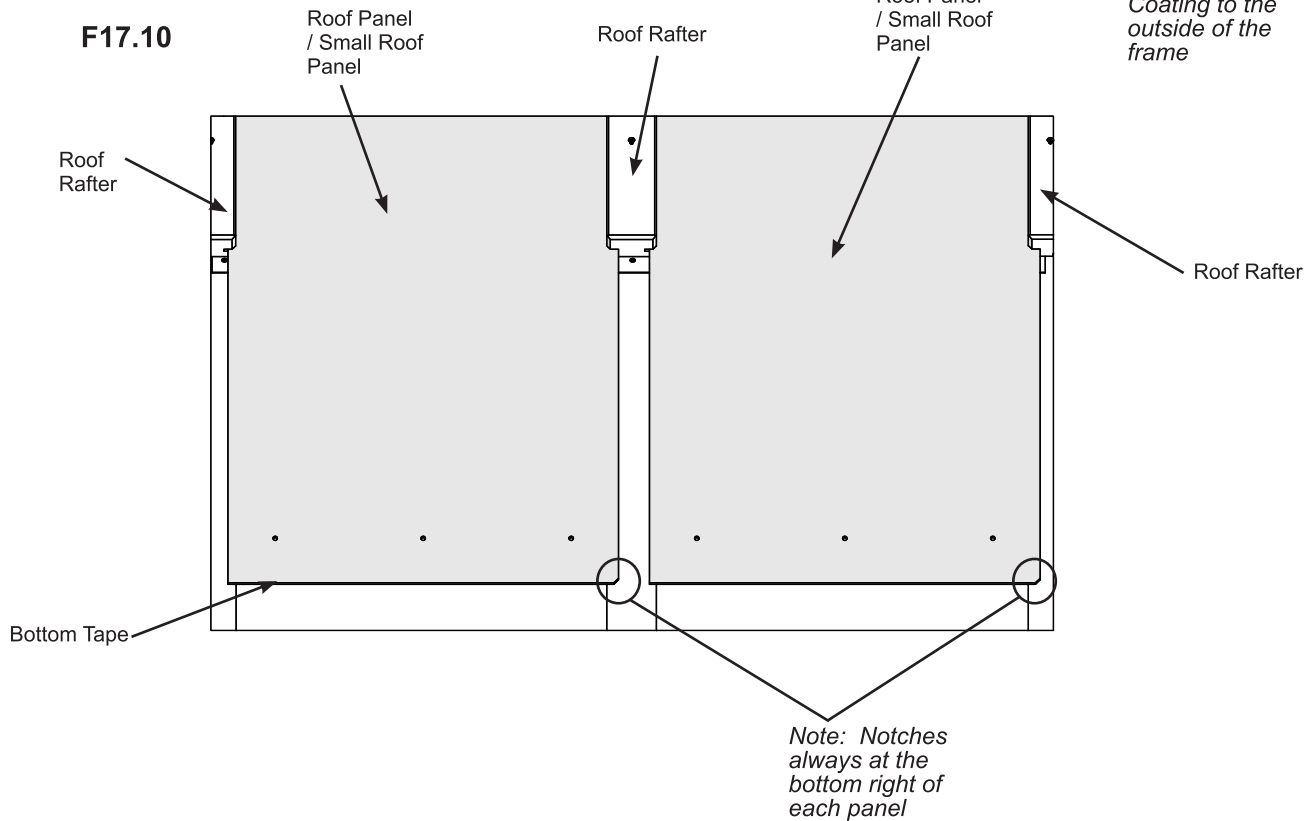
F: Refer to pages 16 and 17 and apply top and bottom tape to Roof Panels and Small Roof Panels.

G: On each side wall in the grooves of Right Roof Rafters and Middle Roof Rafters slide one Roof Panel up to fit in the grooves of (1548) Roof Peak. Make sure the notch at the bottom is always on the right side of the panel. Holes are at the bottom of the panels. The UV coated side must be to the outside of the Assembly. (F17.9)

H: On each side wall in the grooves of Left Vent Roof Rafters, Middle Roof Rafters and Vent Roof Rafters slide two Small Roof Rafter Panels up to fit in the grooves of (1128) Bottom Vent Block. Make sure the notch at the bottom is always on the right side of the panel. Holes are at the bottom of the panels. The UV coated side must be to the outside of the Assembly. (F17.9 and F17.10)



F17.10

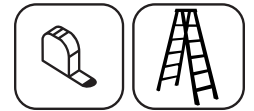


Components

- 2 x Roof Panel
- 4 x Small Roof Panel
- Top Tape
- Bottom Tape

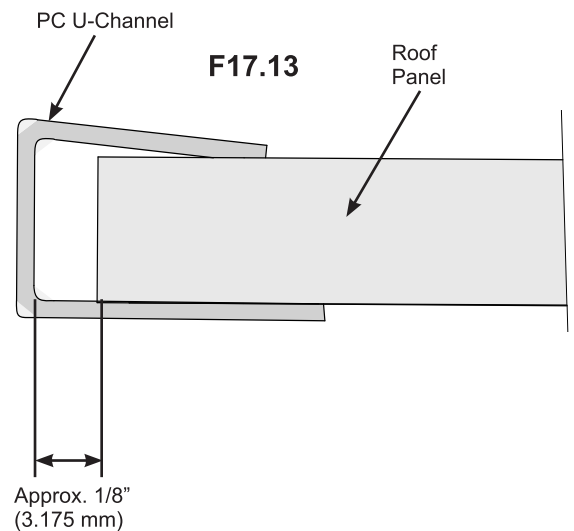
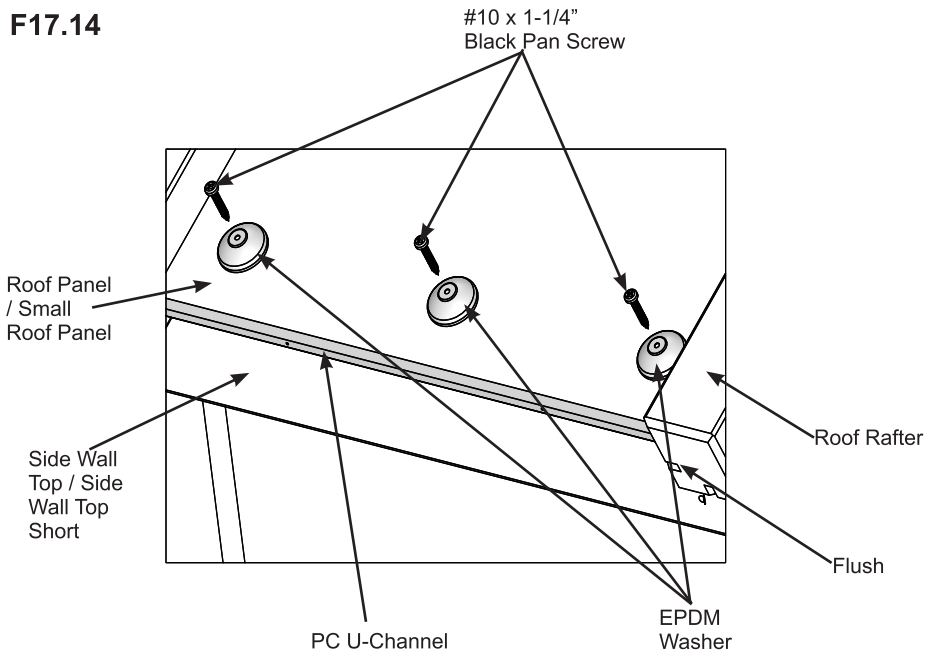
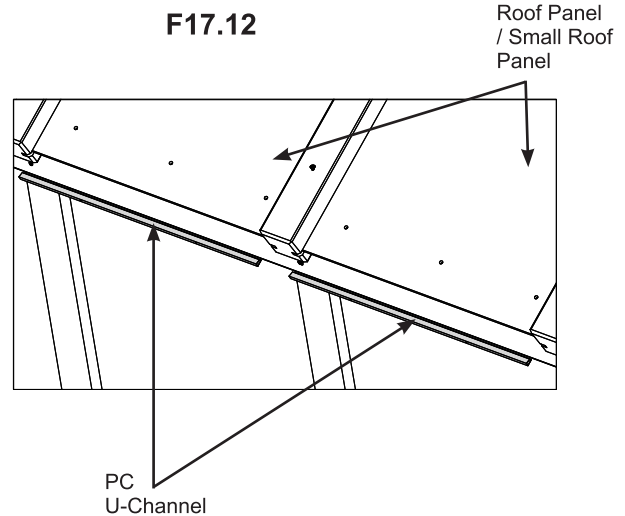
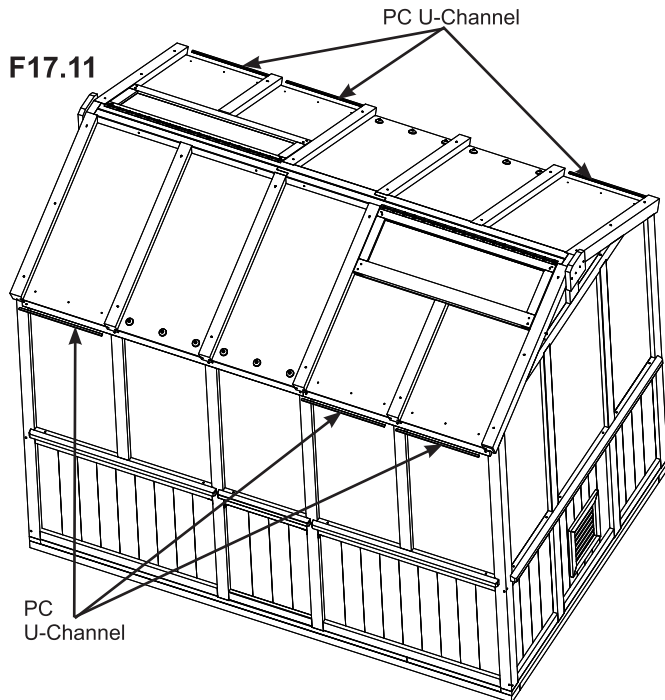
Step 17: Install Roof Panels

Part 5



I: On the bottom of each Roof Panel and Small Roof Panel place one PC U-Channel with a gap of approximately 1/8" (3.175 mm) between end of Roof Panel and PC U-Channel. (F17.11, F17.12 and F17.13)

J: Make sure Roof Panels are flush to the bottom of the Roof Rafters. Attach bottom of each Roof Panel and Small Roof Panel to (1550) Side Wall Tops and (1551) Side Wall Top Shorts using three #10 x 1-1/4" Black Pan Screws with EPDM washers per panel. (F17.14)



Components

6 x PC U-Channel

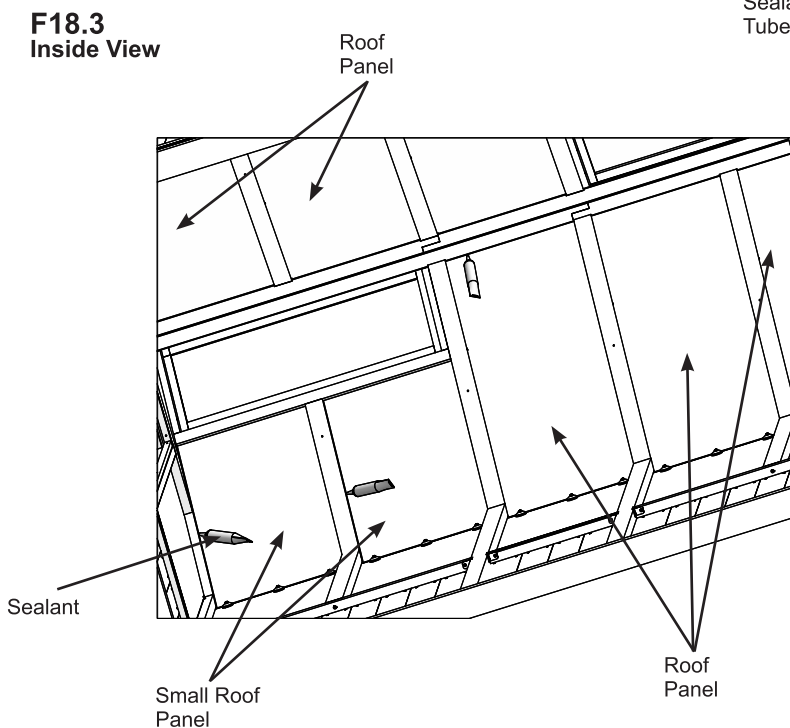
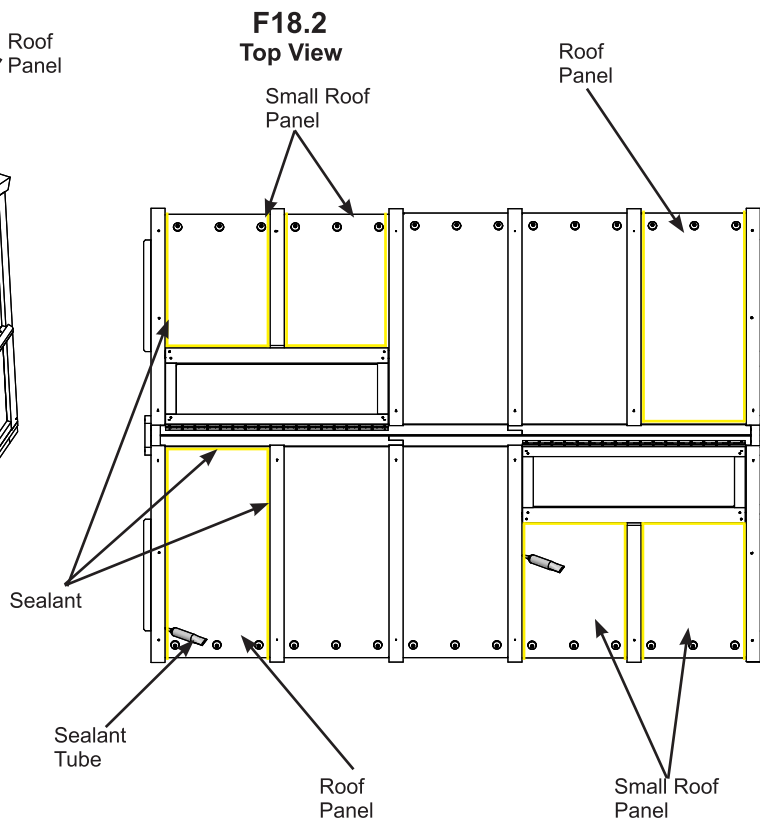
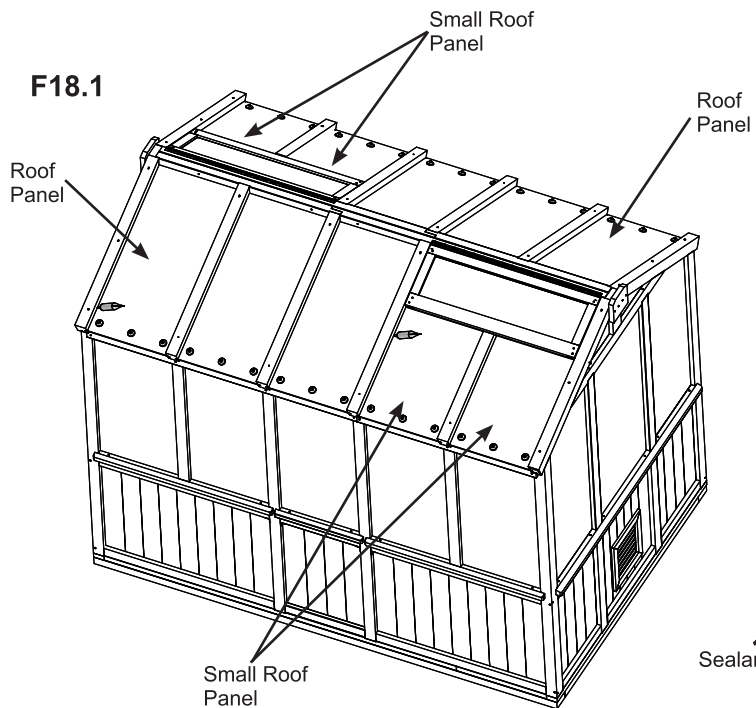
Hardware

18 x #10 x 1-1/4" Black Pan Screw
18 x EPDM Washer

Step 18: Apply Sealant Part 1



A: On both the inside and outside of the assembly apply silicone sealant on three sides of each Roof Panel and Small Roof Panel as shown in F18.3. Sealant should be applied in small beads and smoothed out. (F18.1, F18.2 and F18.3)



Note: All surfaces to be clean, dry, dust and grease free before application with temperatures above 5°C (41°F), no warmer than 35°C (95°F).

- Cut off tip of tube, attach supplied nozzle then put in caulking gun. See page 6.
- Apply sealant in small beads and smooth as required.
- Clean excess with a cloth or paper towel before it skins over.
- Always wear safety glasses and rubber gloves when using product.

See page 6 for Warning and First Aid Information.

Components

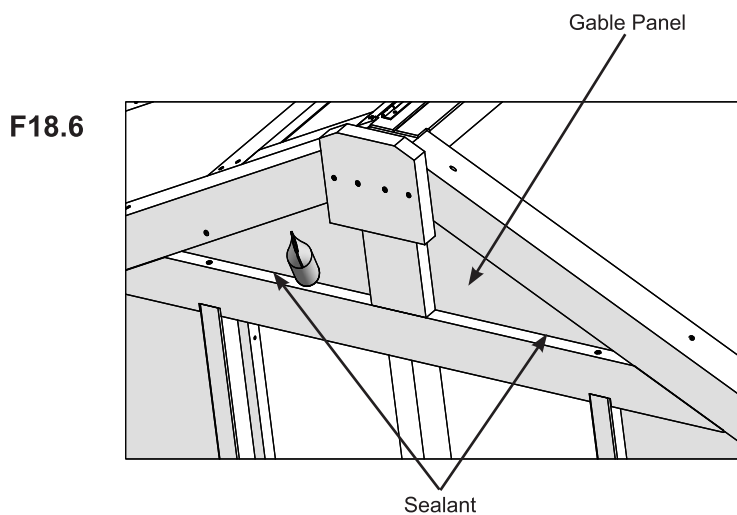
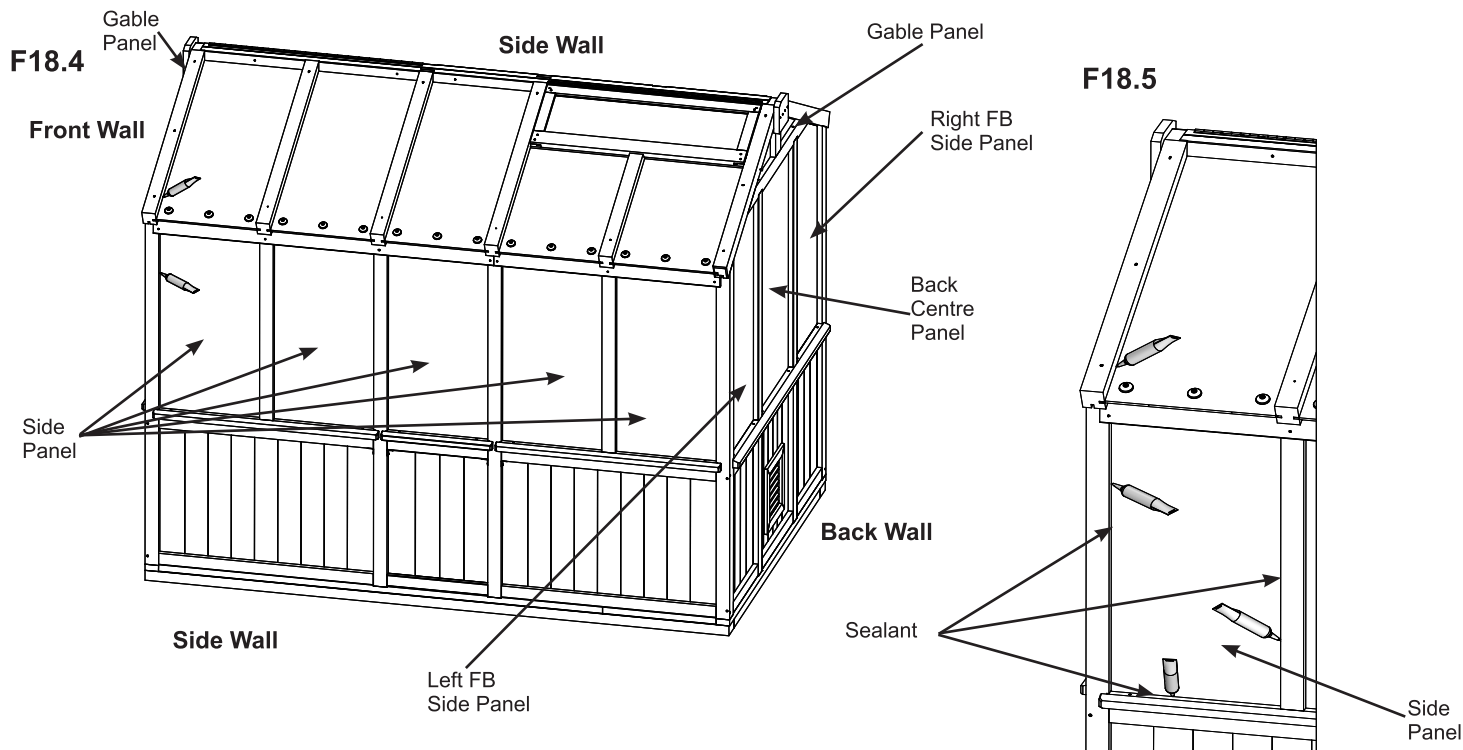
Sealant

Step 18: Apply Sealant Part 2



B: From outside the assembly, on Front Wall, Back Wall and both Side Walls apply silicone sealant on sides and bottom of Left and Right FB Side Panels, Back Centre panel and Side Panels. Sealant should be applied in small beads and smoothed out. (F18.4 and F18.5)

C: From outside the assembly, on Front and Back Walls apply silicone sealant on bottom of Gable Panels. Sealant should be applied in small beads and smoothed out. (F18.4 and F18.6)



Note: All surfaces to be clean, dry, dust and grease free before application with temperatures above 5°C (41°F), no warmer than 35°C (95°F).

- Cut off tip of tube, attach supplied nozzle then put in caulking gun. See page 6.
- Apply sealant in small beads and smooth as required.
- Clean excess with a cloth or paper towel before it skins over.
- Always wear safety glasses and rubber gloves when using product.

See page 6 for Warning and First Aid Information.

Components

Sealant

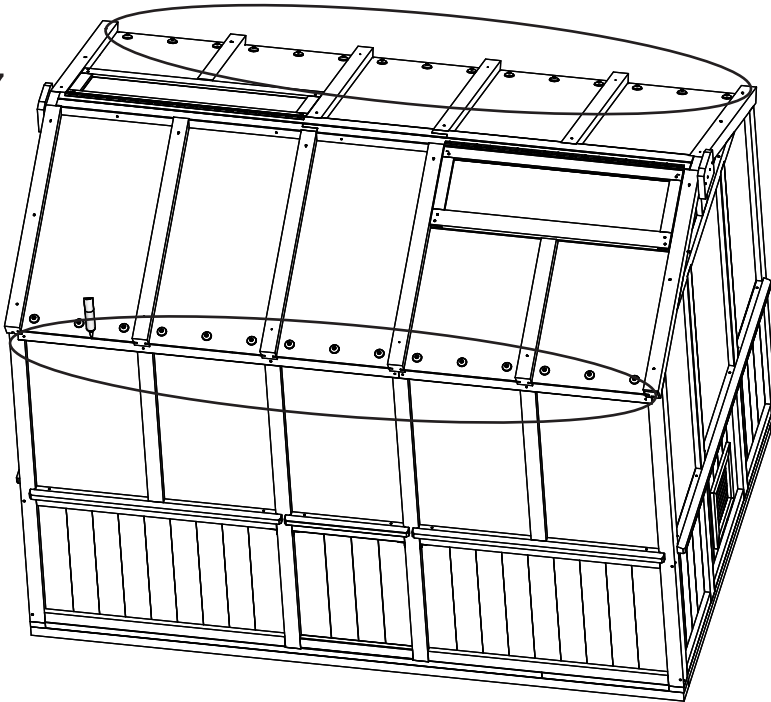
Step 18: Apply Sealant

Part 3



D: Apply silicone sealant on the top edge of PC U-Channel to seal to Roof and Small Roof Panels. Sealant should be applied in small beads and smoothed out. (F18.7 and F18.8)

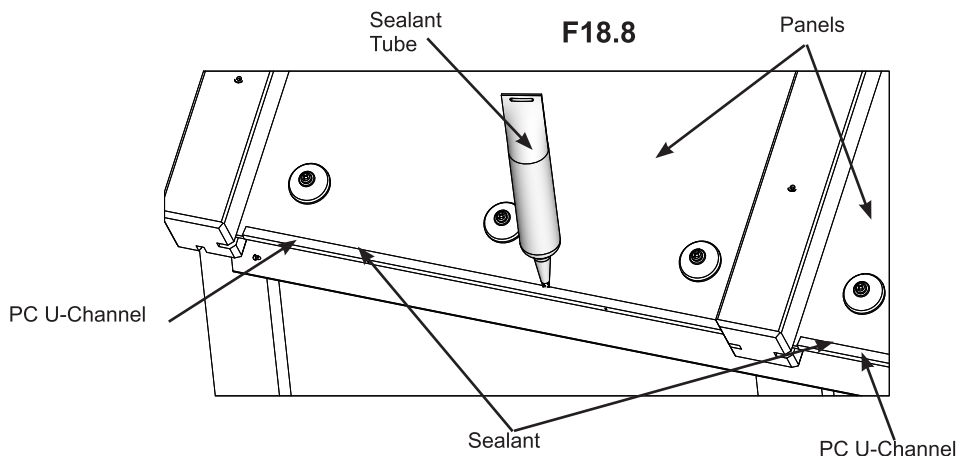
F18.7



Note: All surfaces to be clean, dry, dust and grease free before application with temperatures above 5°C (41°F), no warmer than 35°C (95°F).

- Cut off tip of tube, attach supplied nozzle then put in caulking gun. See page 6.
- Apply sealant in small beads and smooth as required.
- Clean excess with a cloth or paper towel before it skins over.
- Always wear safety glasses and rubber gloves when using product.

See page 6 for Warning and First Aid Information.



Components

Sealant

Step 19: Upper Shelf Assembly Part 1

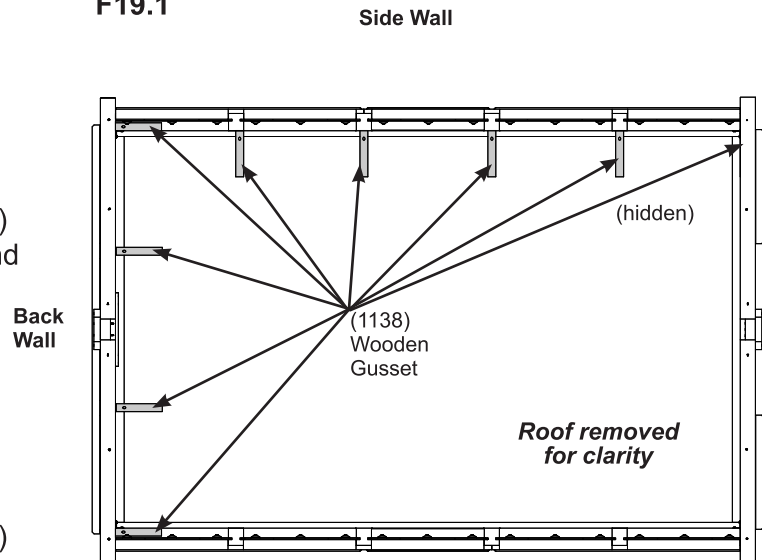


Note: Upper and Lower Shelves can be installed on either Side Wall.

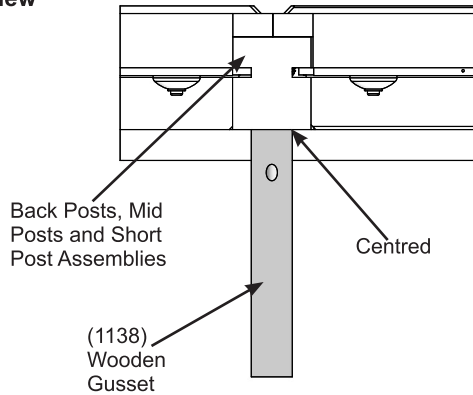
A: On the Back Wall, at each post measure 31" (78.74 cm) up from the top of (1106) Back Wall Sill and make a mark. Place one (1138) Wooden Gusset on each post so the top of the gusset is at the measured mark. (1138) Wooden Gusset to be centered on (1113) Back Posts and flush to the inside of (1108) Left Post and (1109) Right Post. Attach Gussets to posts with two #8 x 3" Wood Screws per gusset. (F19.1, F19.2, F19.3 and F19.4)

B: On one Side Wall, at each post measure 31" (78.74 cm) up from the top of (1107) Side Wall Sill and make a mark. Place one (1138) Wooden Gusset on each post so the top of the gusset is at the measured mark. (1138) Wooden Gusset to be centered on (1110) Mid Post and (1144) Short Post Assemblies and flush to the inside of Left or Right Post. Attach Gussets to posts with two #8 x 3" Wood Screws per gusset. (F19.1, F19.2, F19.3 and F19.4)

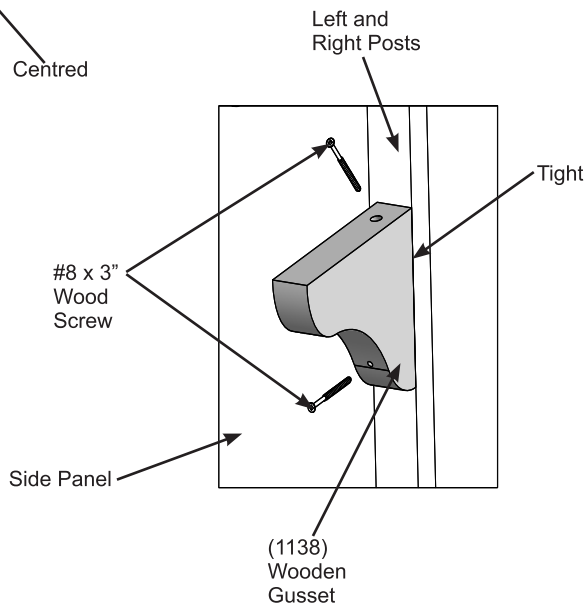
F19.1



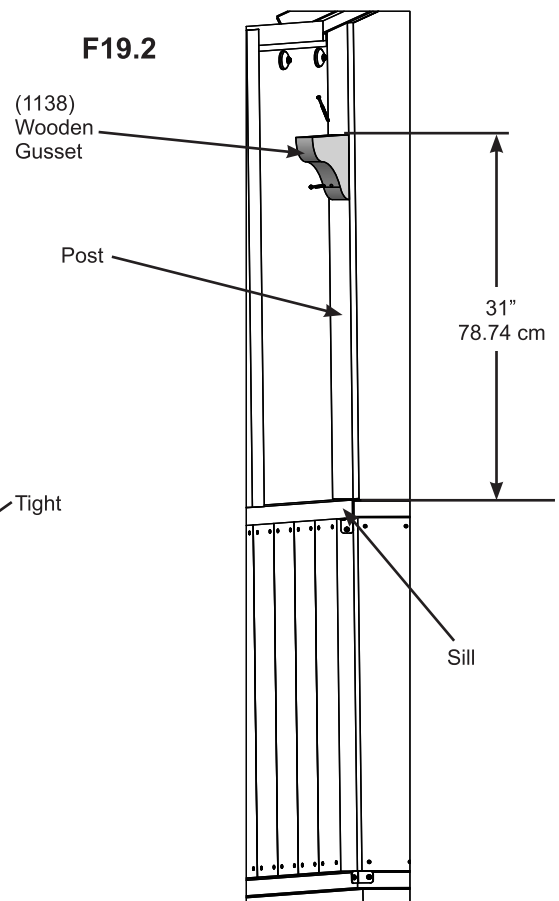
**F19.3
Top View**



F19.4



F19.2



Wood Parts

9 x (1138) Wooden Gusset

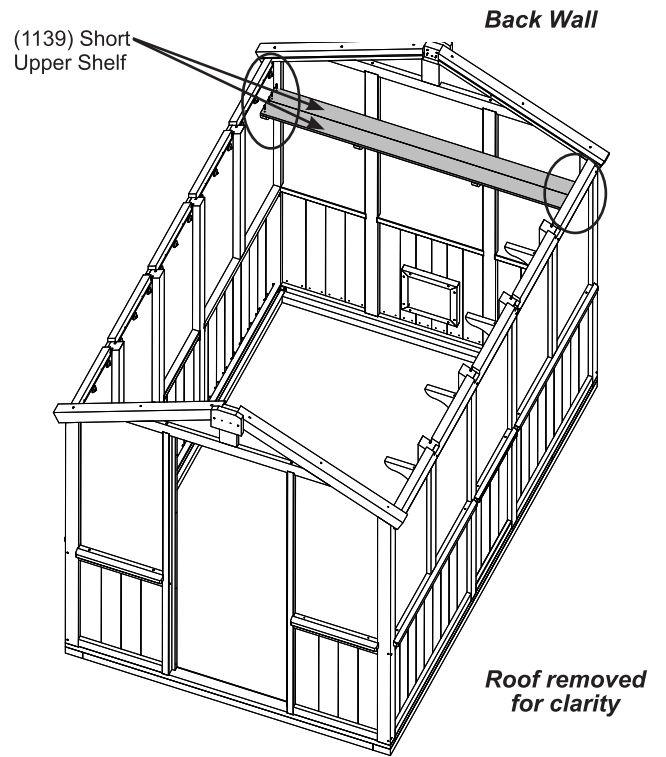
Hardware

18 x #8 x 3" Wood Screw

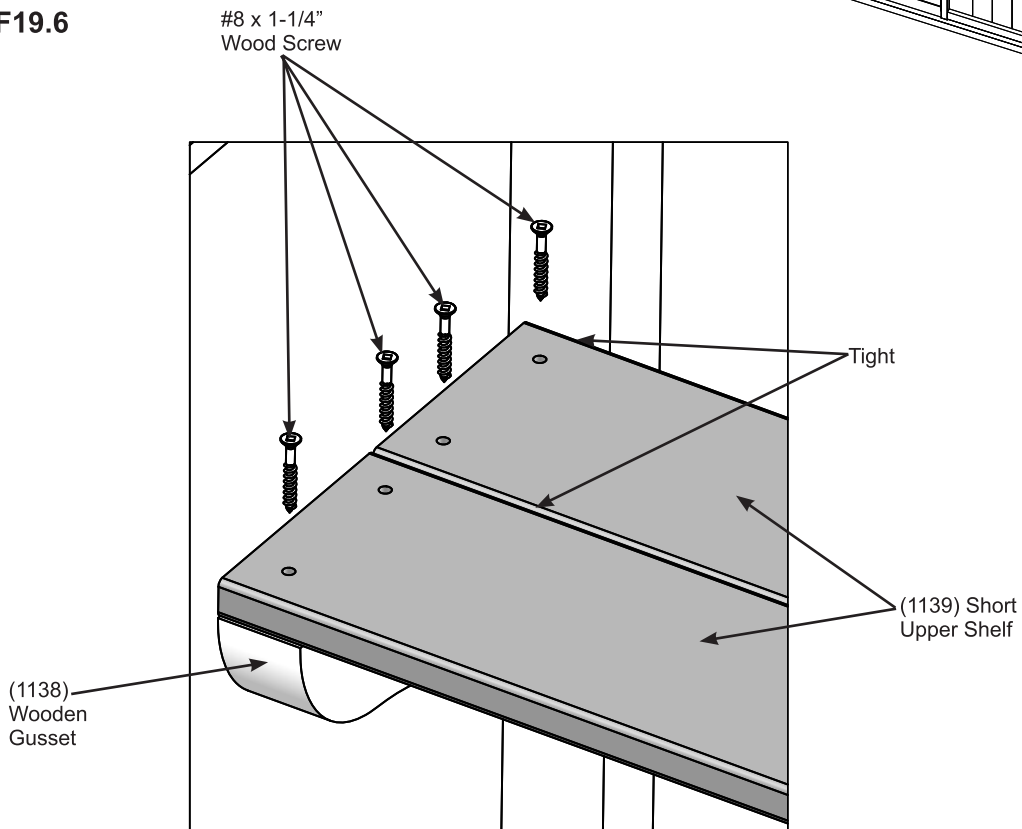
Step 19: Upper Shelf Assembly Part 2

C: Tight to the Back Wall place two (1139) Short Upper Shelves on (1138) Wooden Gussets so they are tight to each other. Attach with four #8 x 1-1/4" Wood Screws per shelf. (F19.5 and F19.6)

F19.5



F19.6



Wood Parts

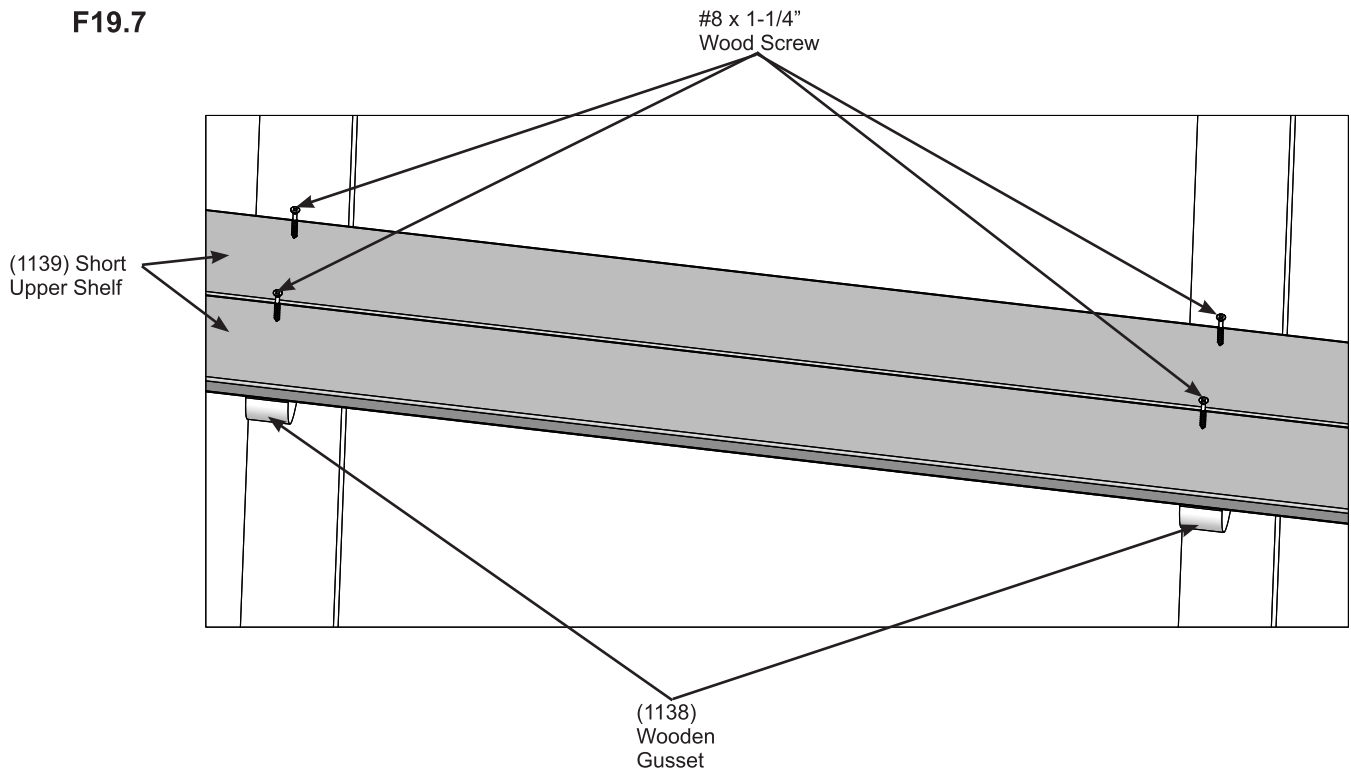
2 x (1139) Short Upper Shelf

Hardware

8 x #8 x 1-1/4" Wood Screw

Step 19: Upper Shelf Assembly Part 3

D: Over the two middle (1138) Wooden Gussets locate centre of each (1139) Short Upper Shelf then attach (1139) Short Upper Shelves to (1138) Wooden Gussets with two #8 x 1-1/4" Wood Screws per shelf. (F19.7)

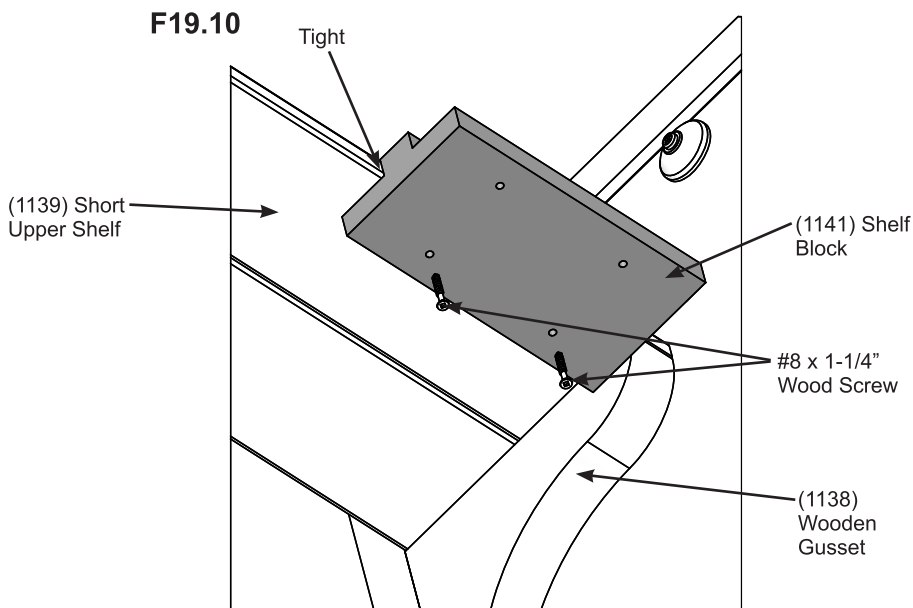
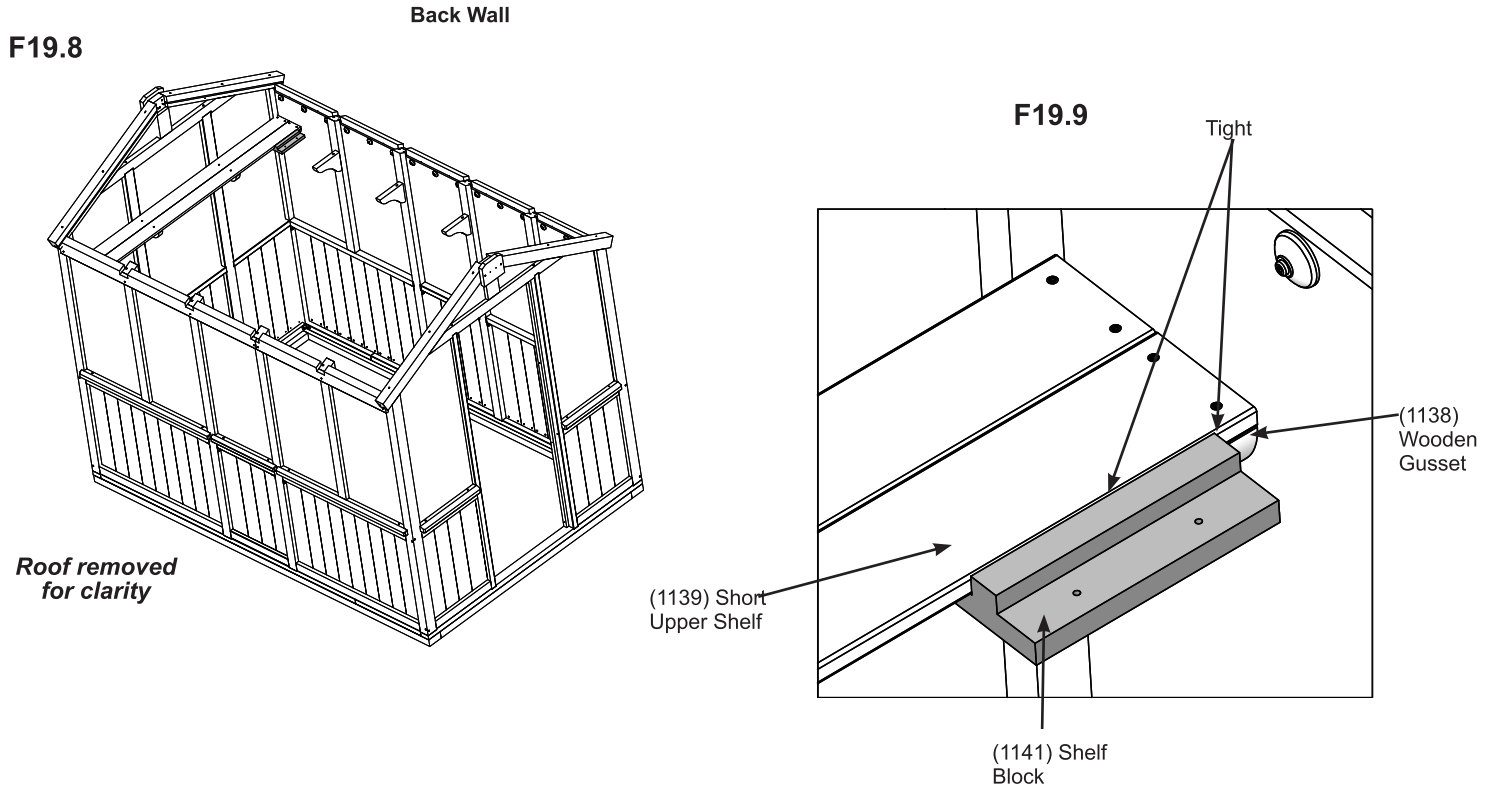


Hardware

4 x #8 x 1-1/4" Wood Screw

Step 19: Upper Shelf Assembly Part 4

E: Tight to the end (1138) Wooden Gusset, on the same side as the Side Wall gussets, place one (1141) Shelf Block under (1139) Short Upper Shelf and attach block to shelf with two #8 x 1-1/4" Wood Screws. (F19.8, F19.9 and F19.10)



Wood Parts

1 x (1141) Shelf Block

Hardware

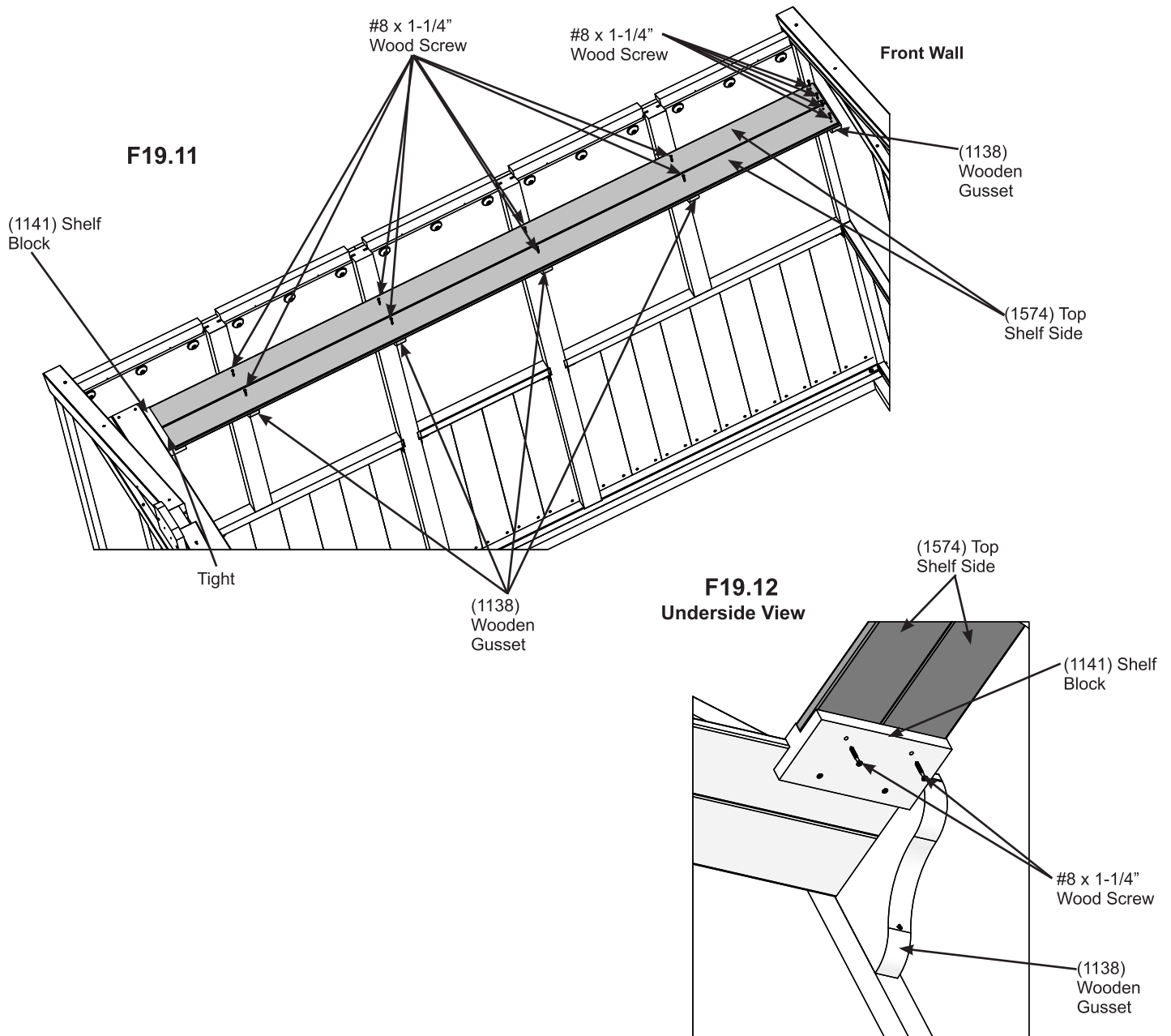
2 x #8 x 1-1/4" Wood Screw

Step 19: Upper Shelf Assembly Part 5

F: Tight to the Side Wall place two (1574) Top Shelf Sides on (1138) Wooden Gussets and (1141) Shelf Block. The ends with the pilot holes go on the Front Wall side, the other end is tight to (1141) Shelf Block. Attach (1574) Top Shelf Sides to Front Wall side (1138) Wooden Gusset with two #8 x 1-1/4" Wood Screws per shelf. (F19.11)

G: Over the four middle (1138) Wooden Gussets locate centre of each (1574) Top Shelf Side then attach (1574) Top Shelf Sides to (1138) Wooden Gussets with four #8 x 1-1/4" Wood Screws per shelf. (F19.11)

H: Attach (1141) Shelf Block to both (1574) Top Shelf Sides with two #8 x 1-1/4" Wood Screws. (F19.12)



Wood Parts

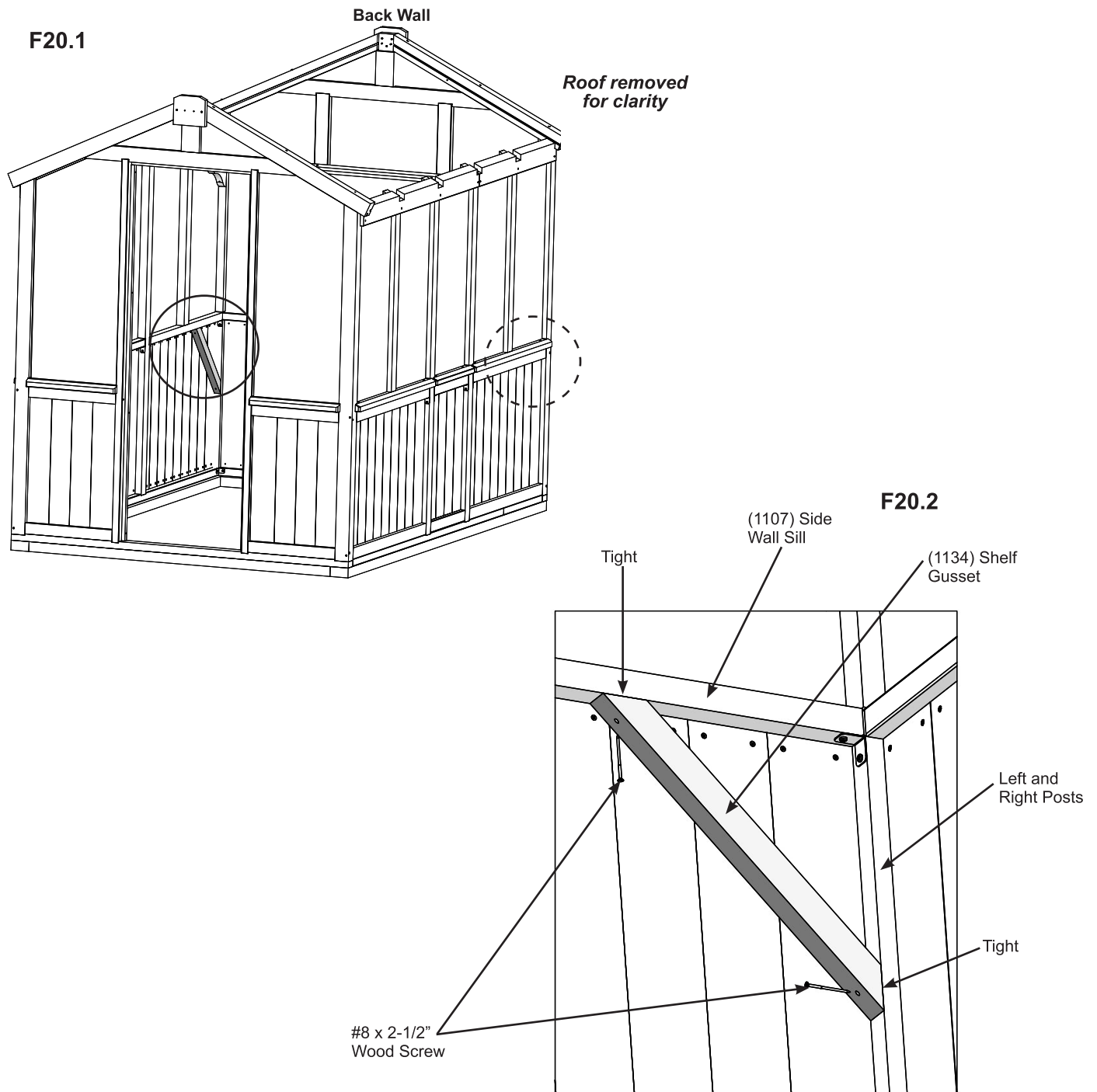
2 x (1574) Top Shelf Side

Hardware

14 x #8 x 1-1/4" Wood Screw

Step 20: Lower Shelf Assembly - Back Wall Part 1

A: On Back Wall place one (1134) Shelf Gusset on both (1108) Left Post and (1109) Right Post so (1134) Shelf Gussets fit tight to bottom of each (1107) Side Wall Sill. Attach to posts and sill with two #8 x 2-1/2" Wood Screws per gusset. (F20.1 and F20.2)



Wood Parts

2 x (1134) Shelf Gusset

Hardware

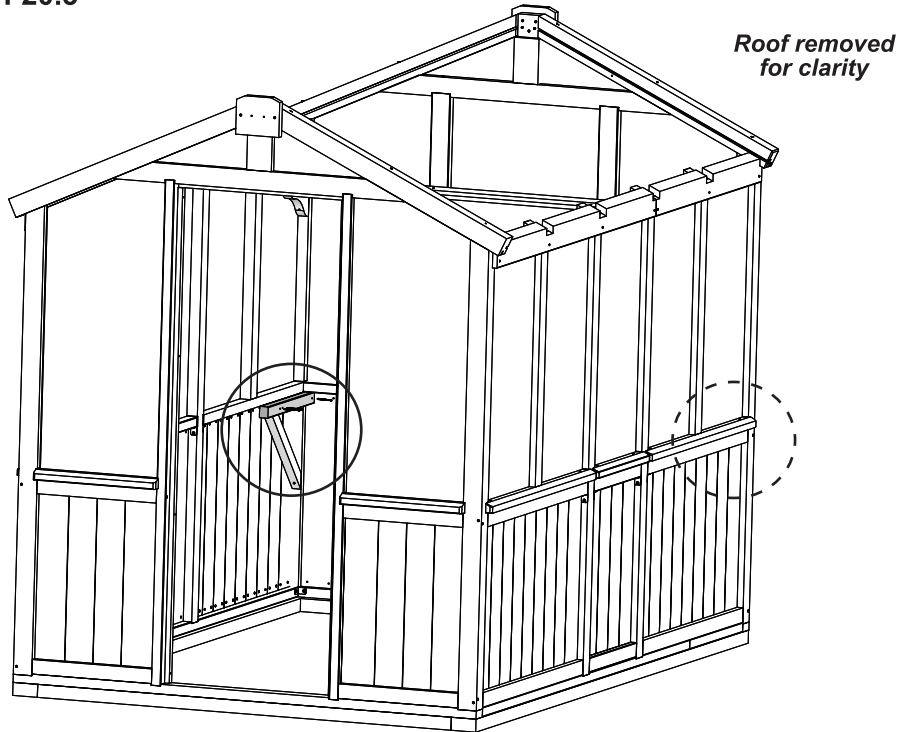
4 x #8 x 2-1/2" Wood Screw

Step 20: Lower Shelf Assembly - Back Wall Part 2

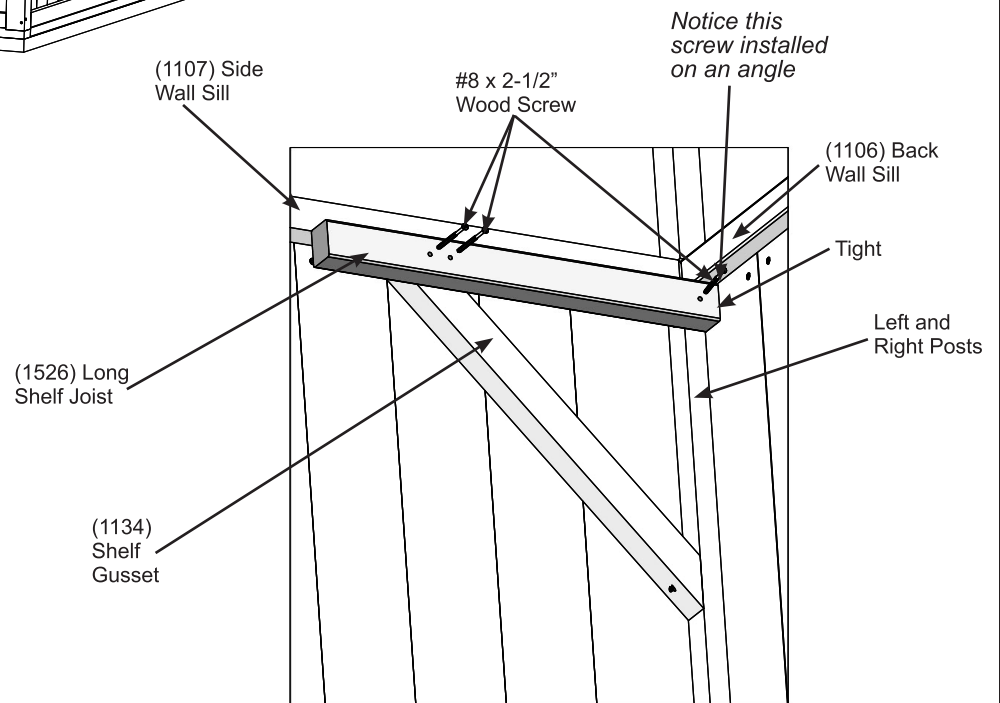
B: On each side of the Back Wall, tight to bottom of (1106) Back Wall Sill and flush to bottom of (1107) Side Wall Sills place one (1526) Long Shelf Joist and attach to (1134) Shelf Gusset and posts with three #8 x 2-1/2" Wood Screws per joist. The screw going into the post is installed at an angle. (F20.3 and F20.4)

F20.3

Back Wall



F20.4



Wood Parts

2 x (1526) Long Shelf Joist

Hardware

6 x #8 x 2-1/2" Wood Screw

Step 20: Lower Shelf Assembly - Back Wall

Part 3

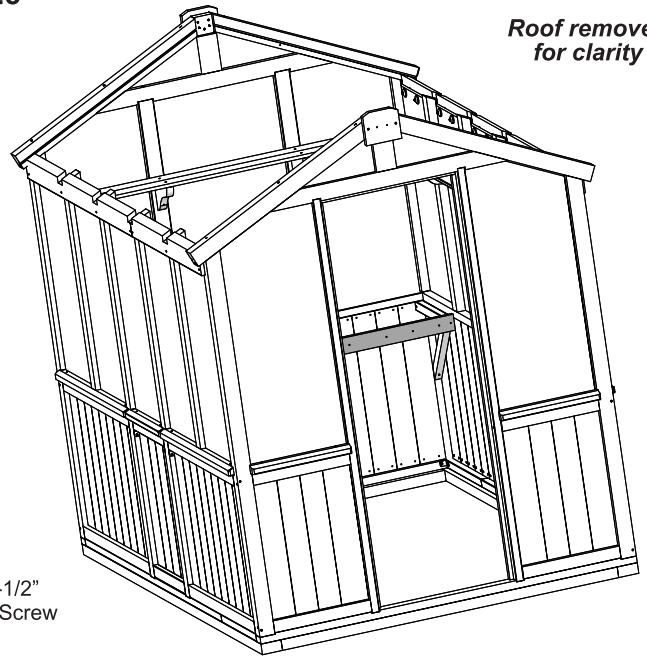


C: Place one (1132) Shelf Front against each (1526) Long Shelf Joist so it sits 5/8" (1.59 cm) above the joists. Notice the four holes are on the same side as where the Side Wall Shelf will go. Attach (1132) Shelf Front to (1526) Long Shelf Joists with two #8 x 2-1/2" Wood Screws. (F20.5, F20.6, F20.7 and F20.8)

F20.5

Back Wall

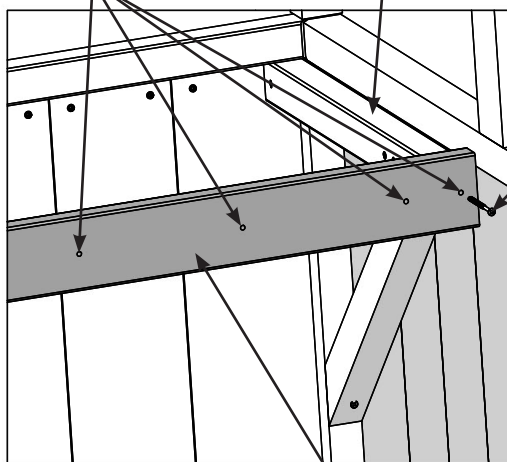
Roof removed for clarity



F20.6

Notice 4 holes on same side as Side Wall Shelf

(1526) Long Shelf Joist



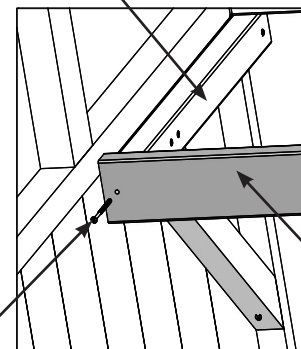
#8 x 2-1/2" Wood Screw

Side Shelf Side

(1132) Shelf Front

F20.7

(1526) Long Shelf Joist



(1132) Shelf Front

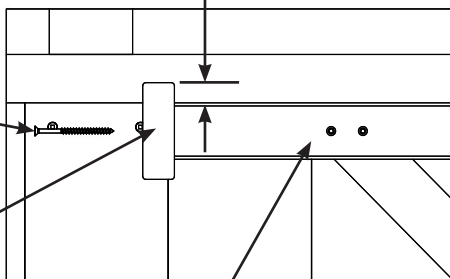
#8 x 2-1/2" Wood Screw

F20.8

5/8" (1.59 cm)

#8 x 2-1/2" Wood Screw

(1132) Shelf Front



(1526) Long Shelf Joist

Wood Parts

1 x (1132) Shelf Front

Hardware

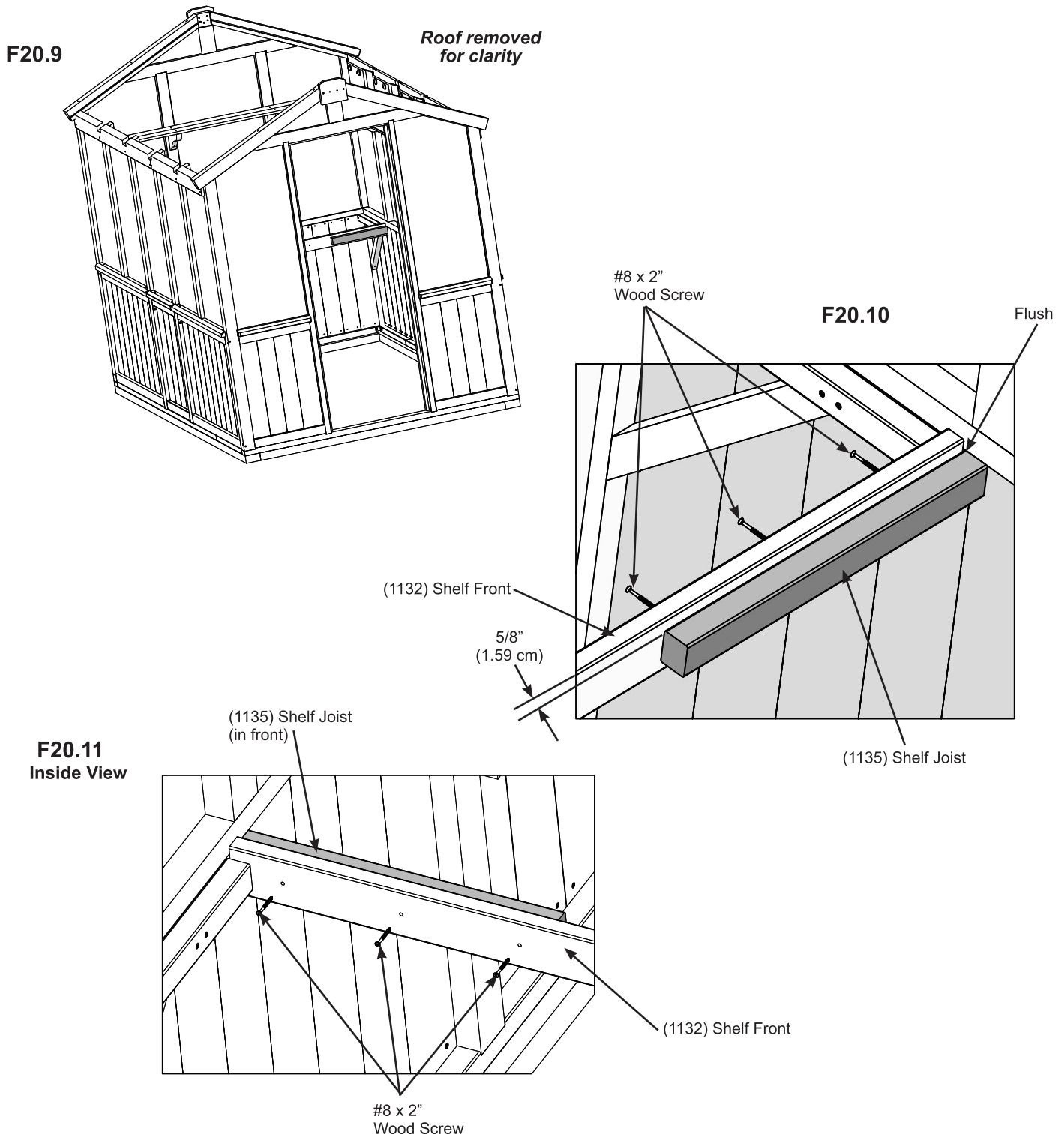
2 x #8 x 2-1/2" Wood Screw

Step 20: Lower Shelf Assembly - Back Wall

Part 4



D: From top of (1132) Shelf Front measure 5/8" (1.59 cm) down then on the front and right side place one (1135) Shelf Joist flush to the end. Attach (1132) Shelf Front to (1135) Shelf Joist with three #8 x 2" Wood Screws. (F20.9, F20.10 and F20.11)



Wood Parts

1 x (1135) Shelf Joist

Hardware

3 x #8 x 2" Wood Screw

Step 20: Lower Shelf Assembly - Back Wall

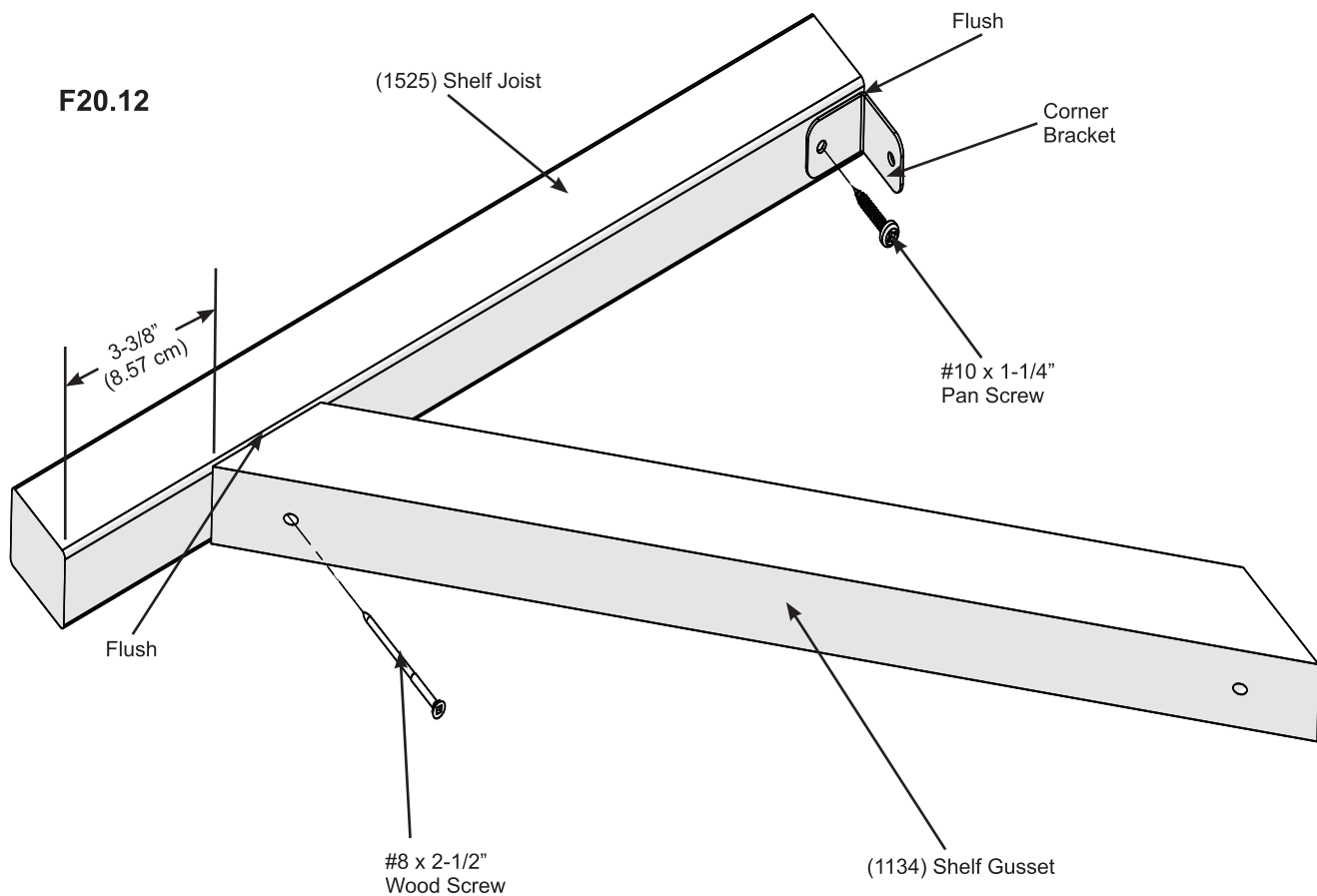
Part 5



E: Flush to one side of one (1525) Shelf Joist attach one Corner Bracket with one #10 x 1-1/4" Pan Screw. (F20.12)

F: Measure 3-3/8" (8.57 cm) from the other side of (1525) Shelf Joist and attach one (1134) Shelf Gusset with one #8 x 2-1/2" Wood Screw. (F20.12)

G: Repeat Steps E and F for a second Joist-Gusset Assembly. (F20.12)



Wood Parts

2 x (1525) Shelf Joist
2 x (1134) Shelf Gusset

Components

2 x Corner Bracket

Hardware

2 x #10 x 1-1/4" Pan Screw - Yellow
2 x #8 x 2-1/2" Wood Screw

Step 20: Lower Shelf Assembly - Back Wall Part 6

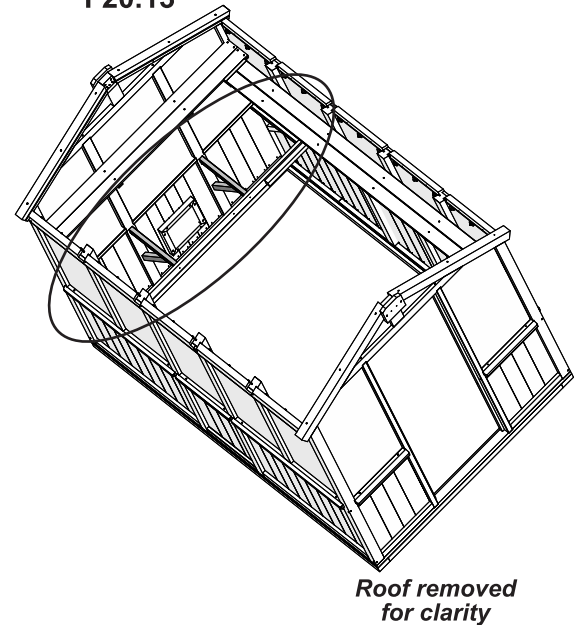


H: Tight to each (1113) Back Post place one Joist-Gusset Assembly so (1525) Shelf Joist is level with the bottom of (1106) Back Wall Sill then attach Corner Brackets to (1113) Back Posts with one #10 x 1-1/4" Pan Screw per bracket. (F20.13, F20.14 and F20.16)

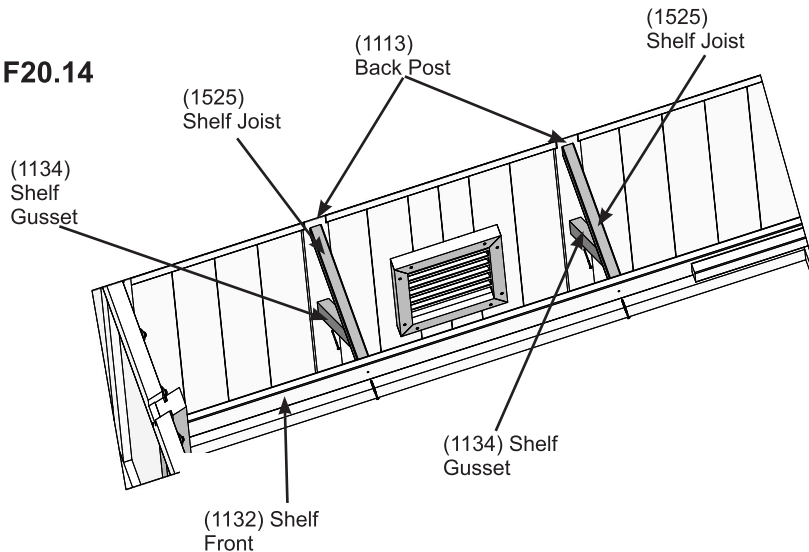
I: Attach (1134) Shelf Gussets to (1113) Back Posts with one #8 x 2-1/2" Wood Screw per gusset. (F20.13, F20.14 and F20.15)

J: Make sure Joist-Gusset Assembly sits 5/8" (1.59 cm) down from the top of (1132) Shelf Front and is centred over the pilot holes. Attach (1132) Shelf Front to (1525) Shelf Joists with one #8 x 2-1/2" Wood Screw per joist. (F20.13, F20.14 and F20.15)

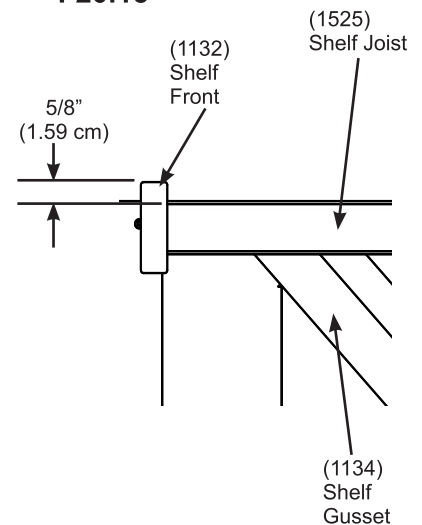
F20.13



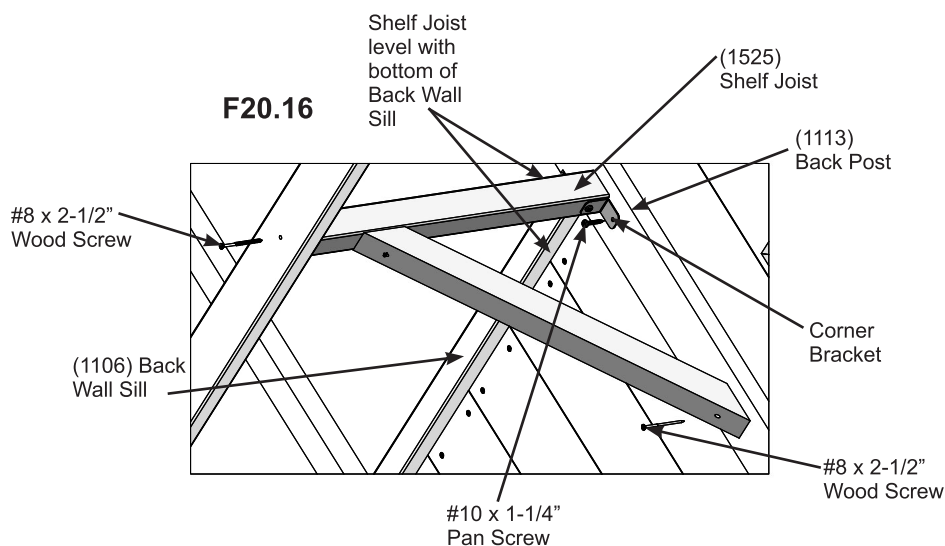
F20.14



F20.15



F20.16



Hardware

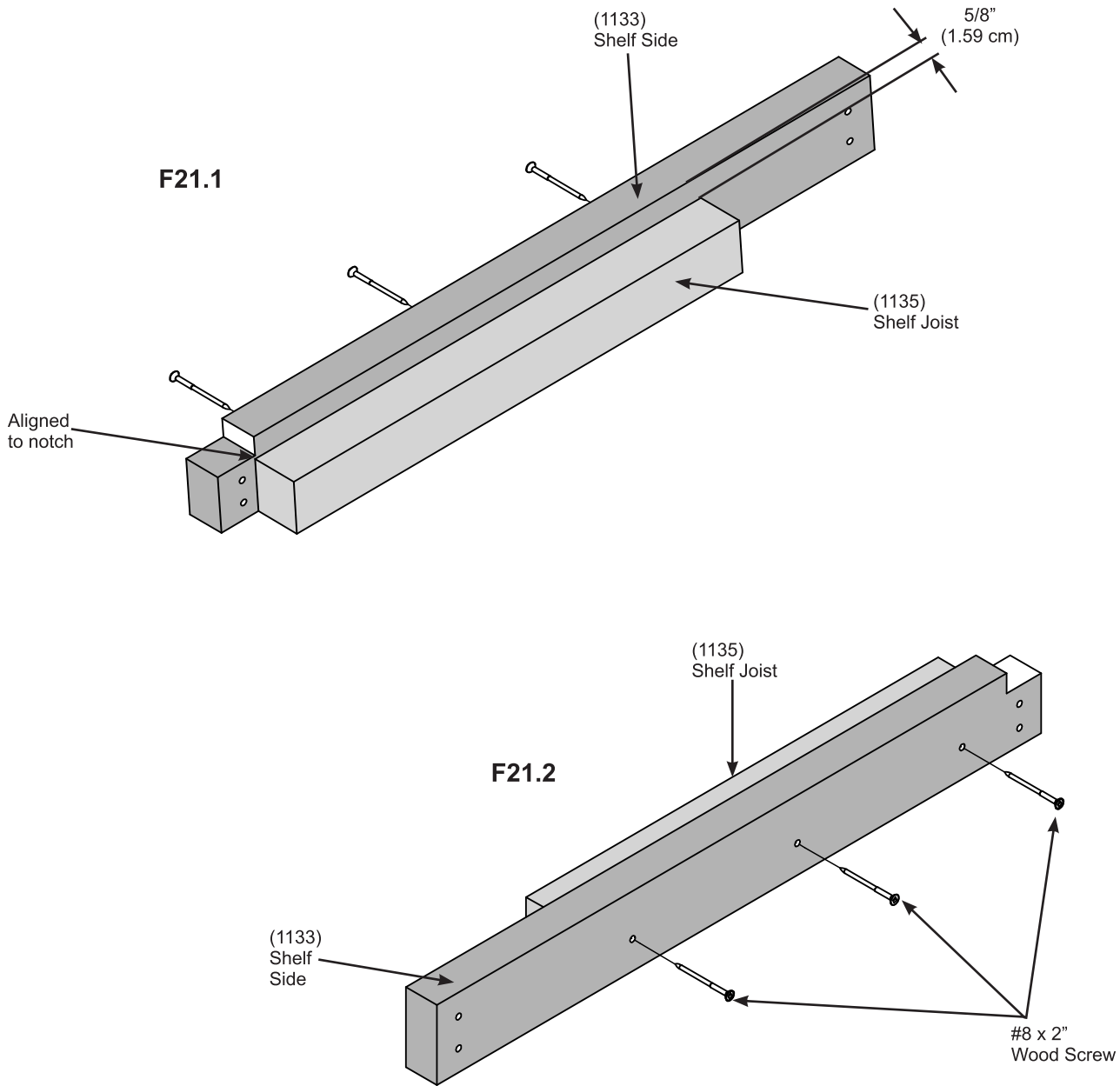
- 2 x #10 x 1-1/4" Pan Screw - Yellow
- 4 x #8 x 2-1/2" Wood Screw

Step 21: Lower Shelf Assembly - Side Wall

Part 1



A: Place one (1135) Shelf Joist so it is in alignment with the notch in (1133) Shelf Side. The distance from the top of (1135) Shelf Joist to the top of (1133) Shelf Side is 5/8" (1.59 cm). Attach (1133) Shelf Side to (1135) Shelf Joist with three #8 x 2" Wood Screws. (F21.1 and F21.2)



Wood Parts

- 1 x (1133) Shelf Side
- 1 x (1135) Shelf Joist

Hardware

- 3 x #8 x 2" Wood Screw

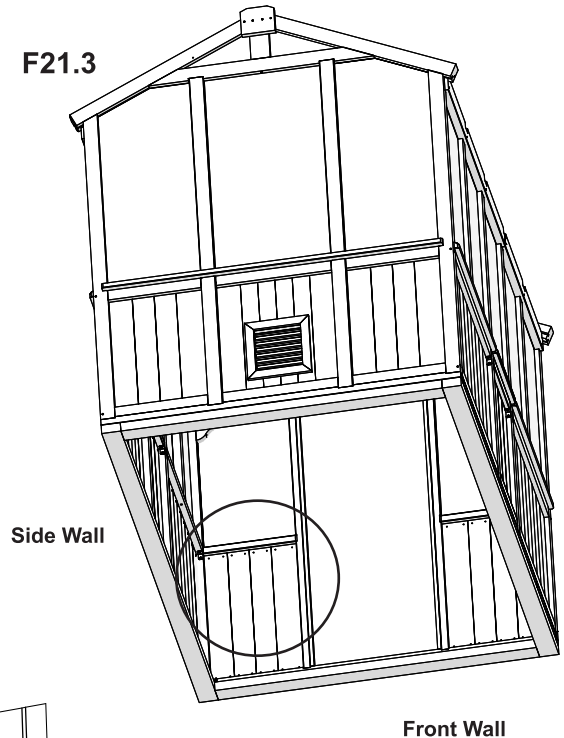
Step 21: Lower Shelf Assembly - Side Wall Part 2



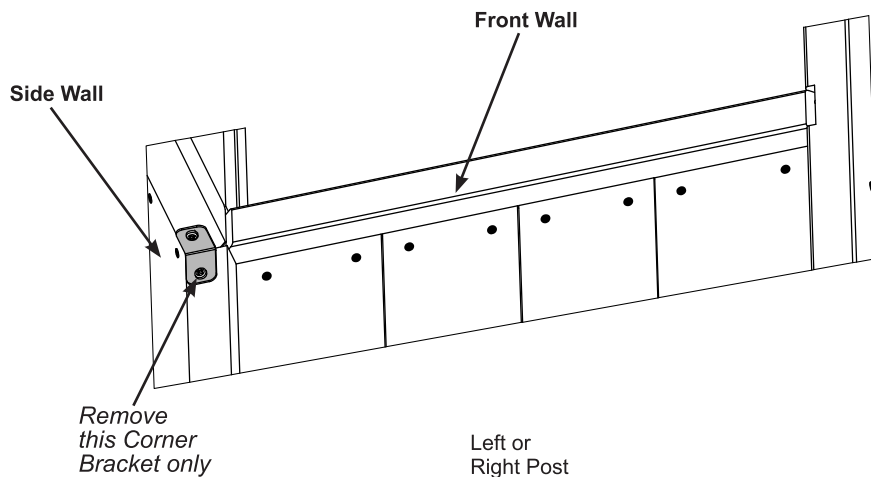
B: On the Front Wall, on the same side as the Lower Shelf will be installed, remove the Corner Bracket which connects the Front and Side Walls. (F21.3 and F21.4)

C: Place Lower Shelf Assembly against the Front Wall so the notch side sits tight to the Side Wall and (1107) Side Wall Sill and to the Right or Left Post and Door Post. (1135) Shelf Joist faces away from the Front Wall. Make sure (1133) Shelf Side is level then attach to Front Wall with four #8 x 2-1/2" Wood Screws. (F21.3 and F21.5)

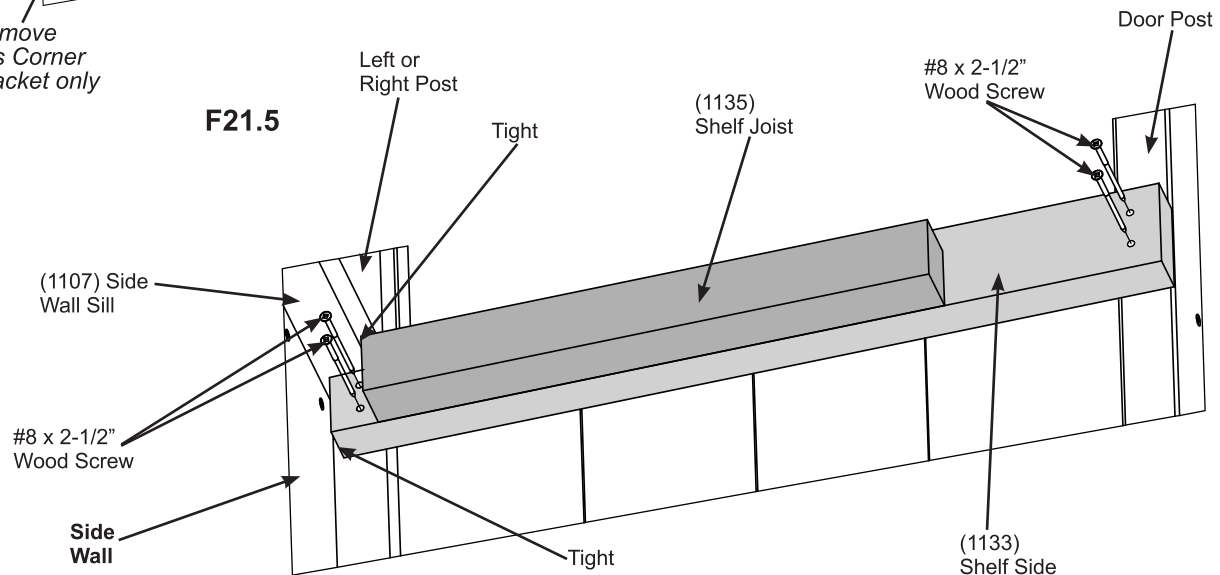
F21.3



F21.4



F21.5



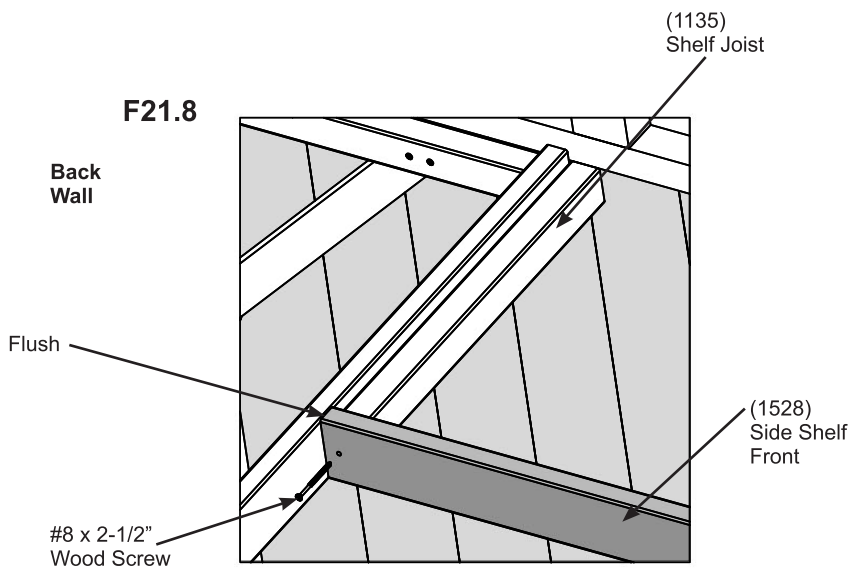
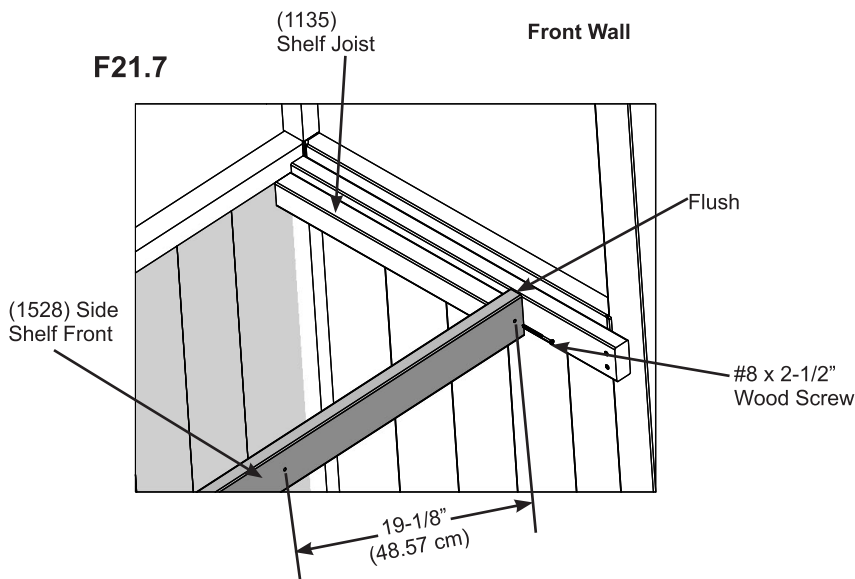
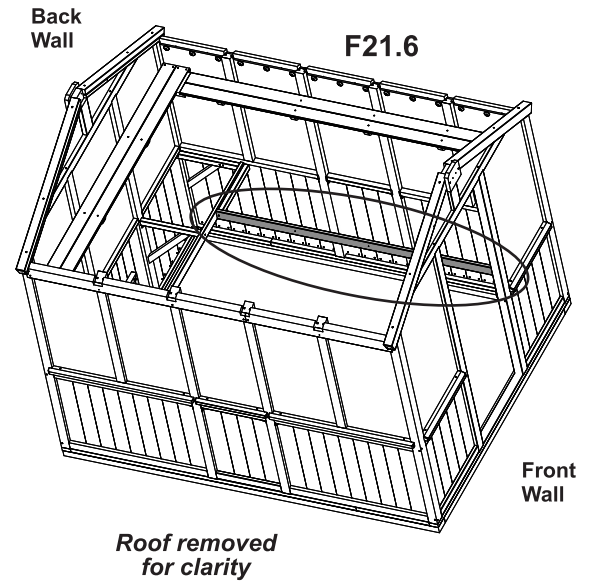
Hardware

4 x #8 x 2-1/2" Wood Screw

Step 21: Lower Shelf Assembly - Side Wall Part 3



D: Place one (1528) Side Shelf Front against each (1135) Shelf Joist so it sits 5/8" (1.59 cm) above the joists. Notice distance between holes 19-1/8" (48.57 cm) are towards the Front Wall. Attach (1528) Side Shelf Front to (1135) Shelf Joists with two #8 x 2-1/2" Wood Screws. (F21.6, F21.7 and F21.8)



Wood Parts

1 x (1528) Side Shelf Front

Hardware

2 x #8 x 2-1/2" Wood Screw

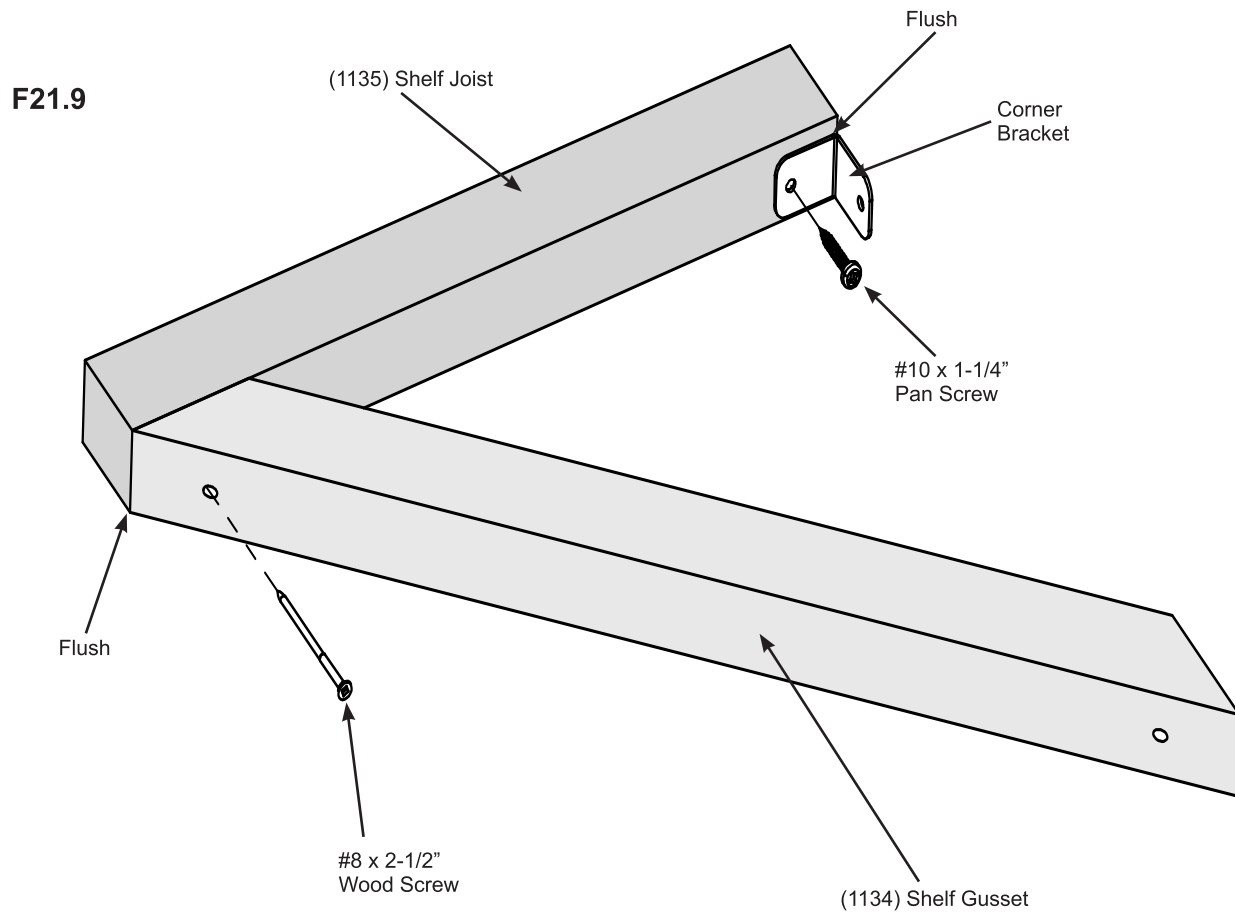
Step 21: Lower Shelf Assembly - Side Wall

Part 4

E: Flush to one side of one (1135) Shelf Joist attach one Corner Bracket with one #10 x 1-1/4" Pan Screw. (F21.9)

F: Flush to the other side of (1135) Shelf Joist attach one (1134) Shelf Gusset with one #8 x 2-1/2" Wood Screw. (F21.9)

G: Repeat Steps E-F for second assembly.



Wood Parts

2 x (1135) Shelf Joist
2 x (1134) Shelf Gusset

Components

2 x Corner Bracket

Hardware

2 x #10 x 1-1/4" Pan Screw - Yellow
2 x #8 x 2-1/2" Wood Screw

Step 21: Lower Shelf Assembly - Side Wall Part 5

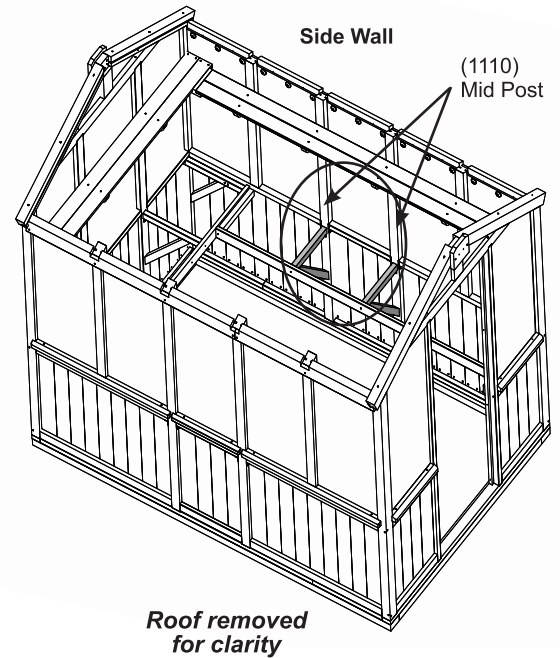


H: Tight to both (1110) Mid Posts place Joist-Gusset Assemblies so (1135) Shelf Joist is level with the bottom of (1107) Side Wall Sill then attach Corner Bracket to (1110) Mid Posts with one #10 x 1-1/4" Pan Screw per post. (F21.10, F21.11 and F21.12)

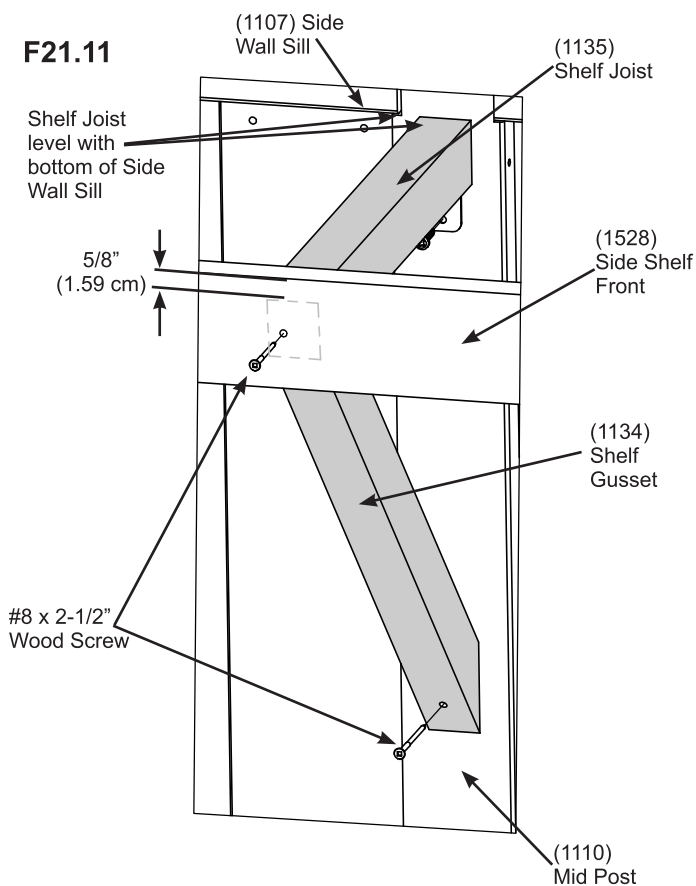
I: Attach (1134) Shelf Gusset to (1110) Mid Posts with one #8 x 2-1/2" Wood Screw per post. (F21.10, F21.11 and F21.12)

J: Make sure Joist-Gusset Assembly sits 5/8" (1.59 cm) down from the top of (1528) Side Shelf Front and is centred over the pilot holes. Attach (1528) Side Shelf Front to (1135) Shelf Joist with one #8 x 2-1/2" Wood Screw per joist. (F21.10, F21.11 and F21.12)

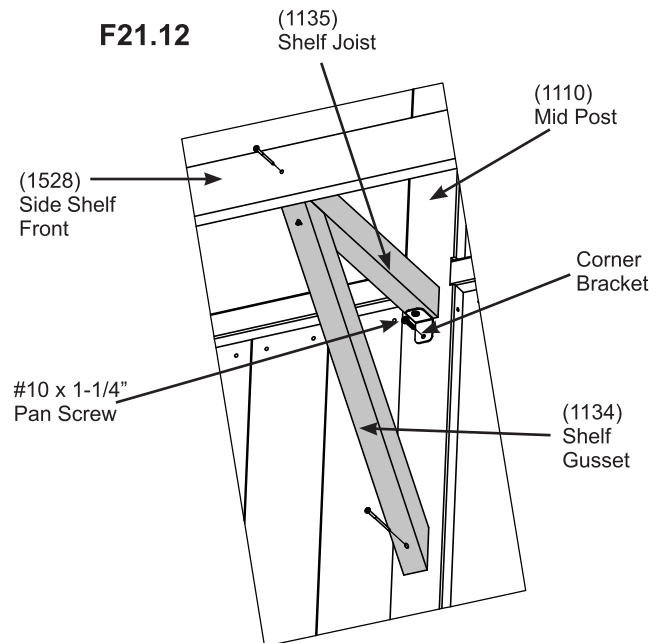
F21.10



F21.11



F21.12



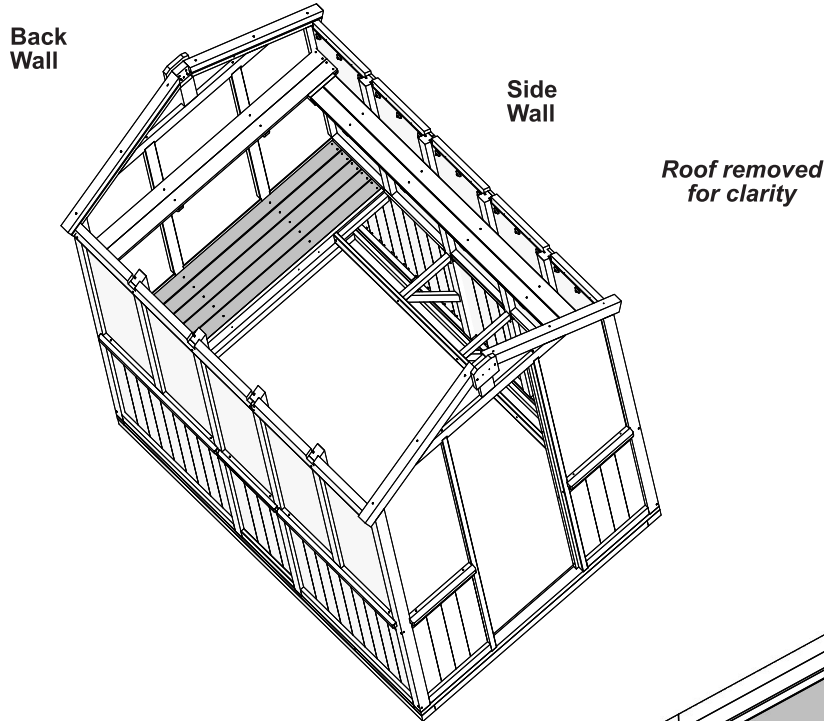
Hardware

- 2 x #10 x 1-1/4" Pan Screw - Yellow
- 4 x #8 x 2-1/2" Wood Screw

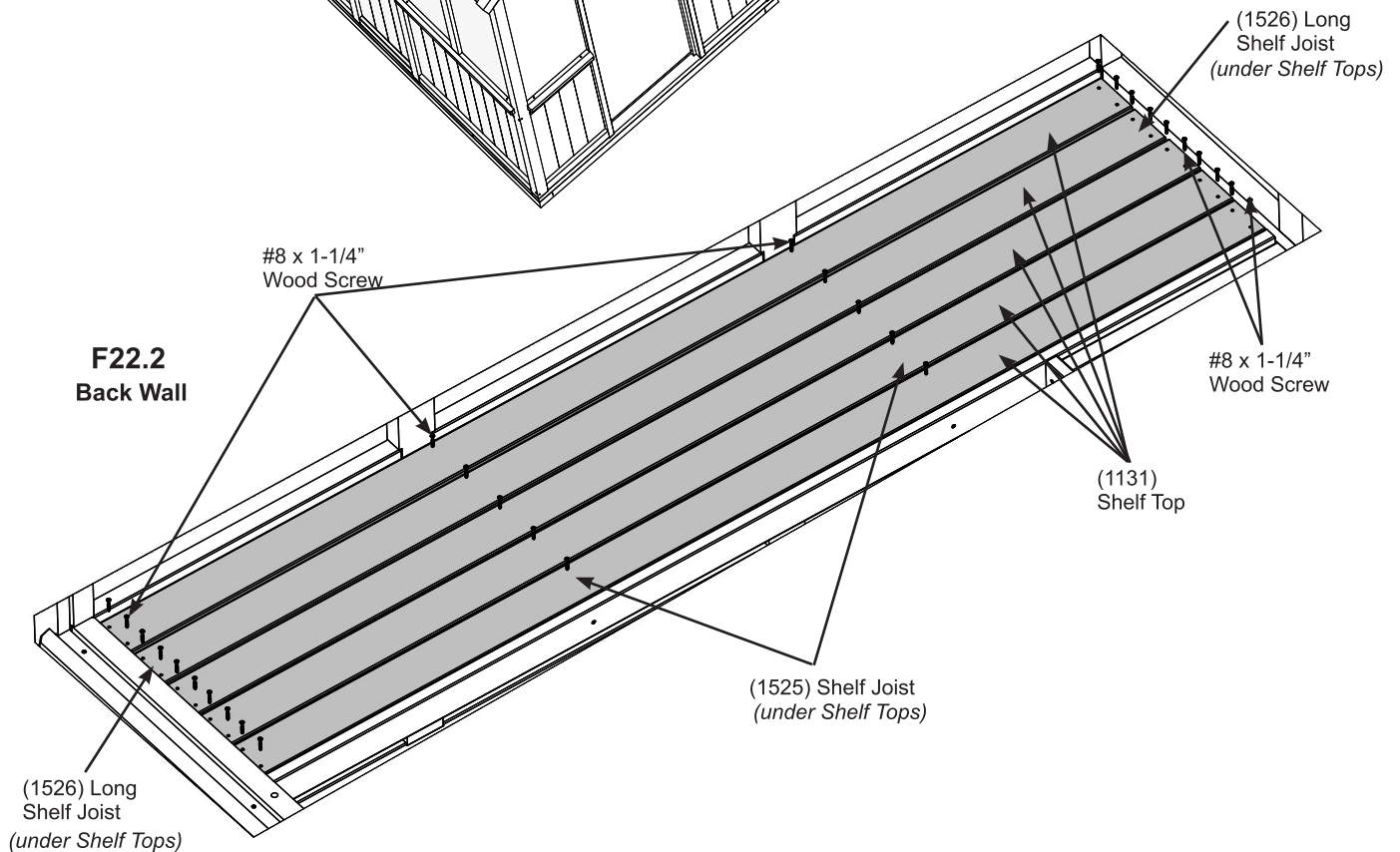
Step 22: Attach Shelf Tops Part 1

A: Tight to the Back Wall place five (1131) Shelf Top on (1526) Long Shelf Joists and (1525) Shelf Joists so they are evenly spaced. Attach (1131) Shelf Top to (1526) Long Shelf Joists with four #8 x 1-1/4" Wood Screws per board. Find the centre of each (1525) Shelf Joist then attach (1131) Shelf Top to (1525) Shelf Joists with two #8 x 1-1/4" Wood Screws per board. (F22.1 and F22.2)

F22.1



F22.2
Back Wall



Wood Parts

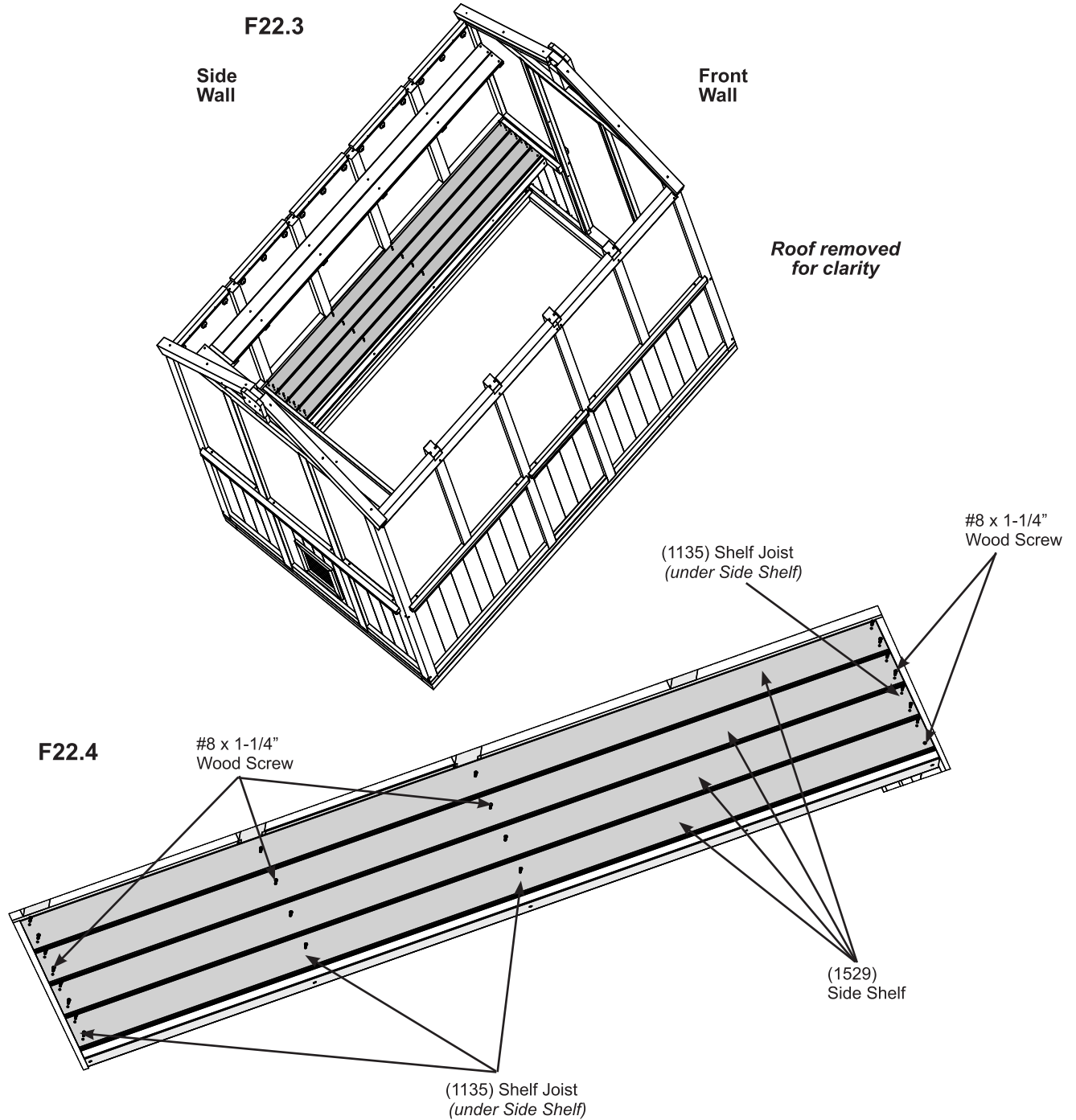
5 x (1131) Shelf Top

Hardware

30 x #8 x 1-1/4" Wood Screw

Step 22: Attach Shelf Tops Part 2

B: Tight to the Side Wall place four (1529) Side Shelves on (1135) Shelf Joists. Attach (1529) Side Shelves to end joists with four #8 x 1-1/4" Wood Screws per shelf. Find the centre of (1135) Shelf Joists then attach (1529) Side Shelves to (1135) Shelf Joists with two #8 x 1-1/4" Wood Screws per board. (F22.3 and F22.4)



Wood Parts

4 x (1529) Side Shelf

Hardware

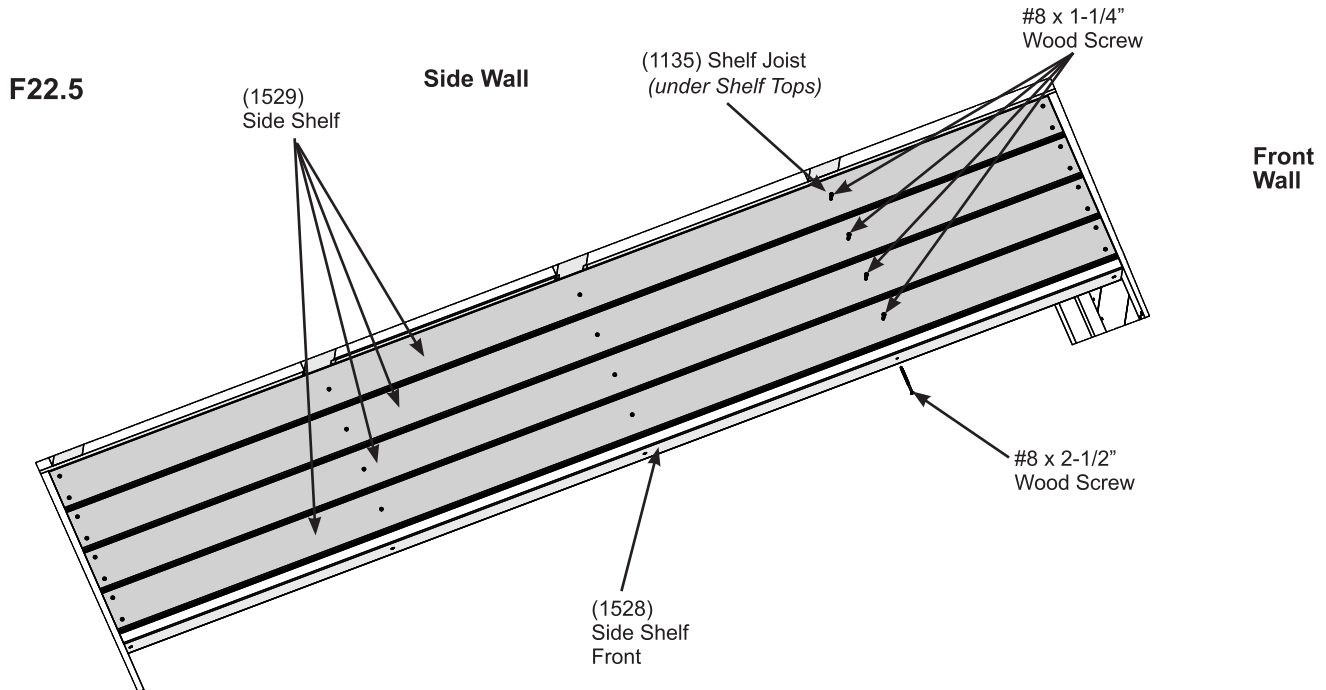
24 x #8 x 1-1/4" Wood Screw

Step 22: Attach Shelf Tops

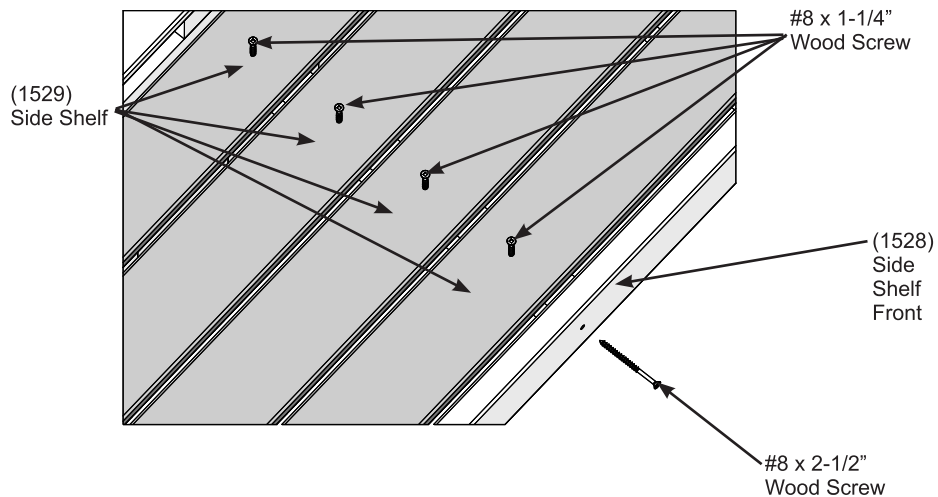
Part 3

C: Under (1529) Side Shelves on Side Wall side place one (1135) Shelf Joist centred over pilot hole closest to the Front Wall in (1528) Side Shelf Front then attach with one #8 x 2-1/2" Wood Screw. (F22.5 and F22.6)

D: Find the centre of (1135) Shelf Joist then attach (1529) Side Shelves to (1135) Shelf Joist with one #8 x 1-1/4" Wood Screw per board. (F22.5 and F22.6)



F22.6



Wood Parts

1 x (1135) Shelf Joist

Hardware

4 x #8 x 1-1/4" Wood Screw

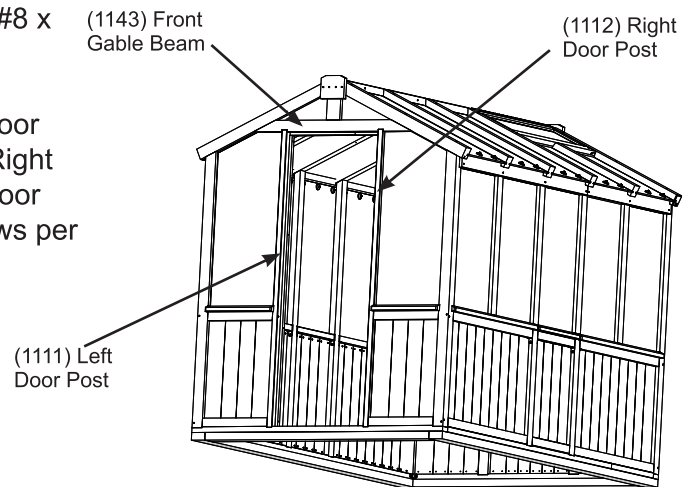
1 x #8 x 2-1/2" Wood Screw

Step 23: Door Assembly Part 1

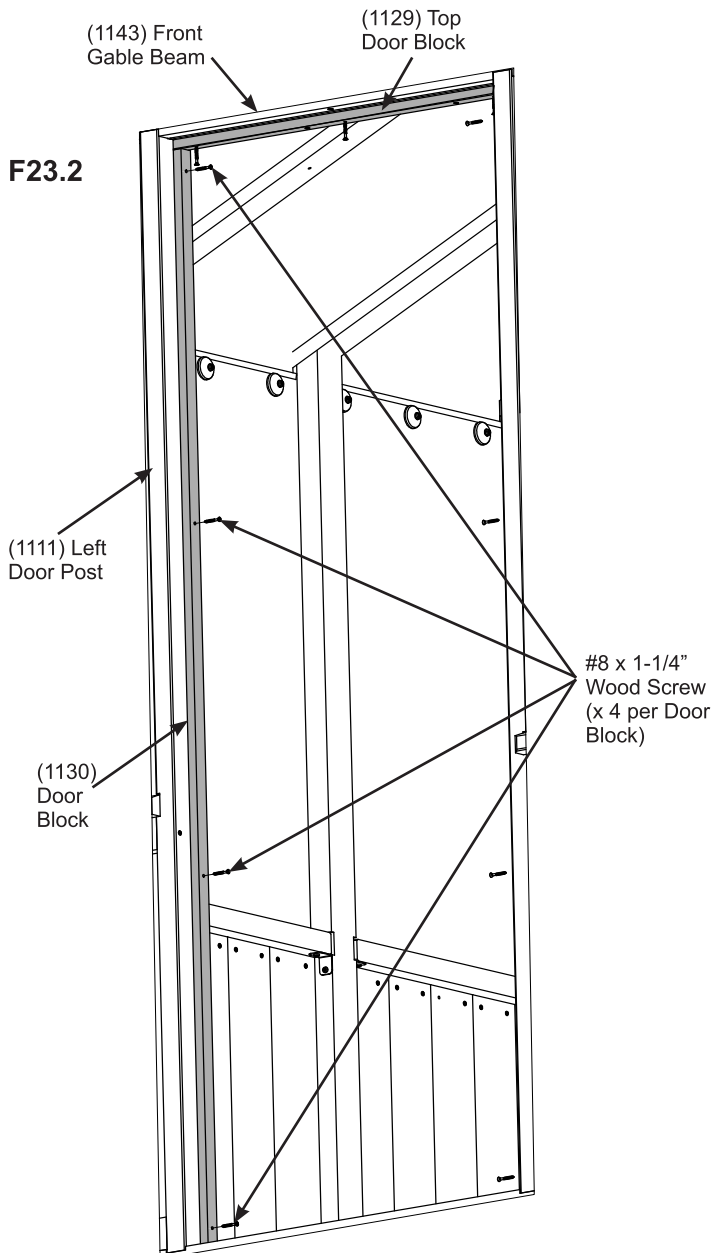
A: Tight to bottom of (1143) Front Gable Beam, flush to the inside edge, attach (1129) Top Door Block with three #8 x 1-1/4" Wood Screws. (F23.1, F23.2 and F23.3)

B: Tight to (1129) Top Door Block place one (1130) Door Block against both (1111) Left Door Post and (1112) Right Door Post, flush to the inside edges. Attach (1130) Door Blocks to each post with four #8 x 1-1/4" Wood Screws per board. (F23.1, F23.2 and F23.3)

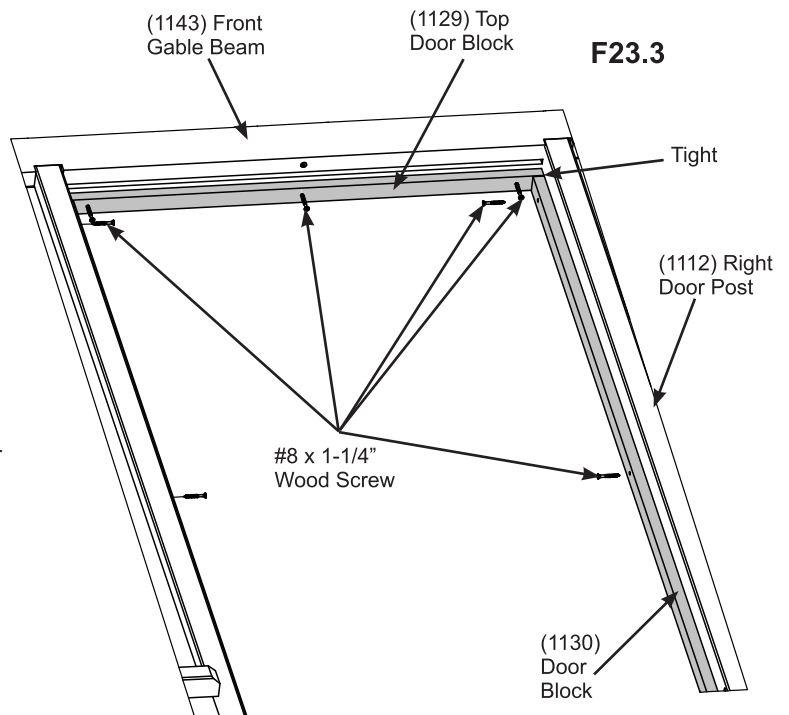
F23.1



F23.2



F23.3



Wood Parts

- 1 x (1129) Top Door Block
- 2 x (1130) Door Block

Hardware

- 11 x #8 x 1-1/4" Wood Screw

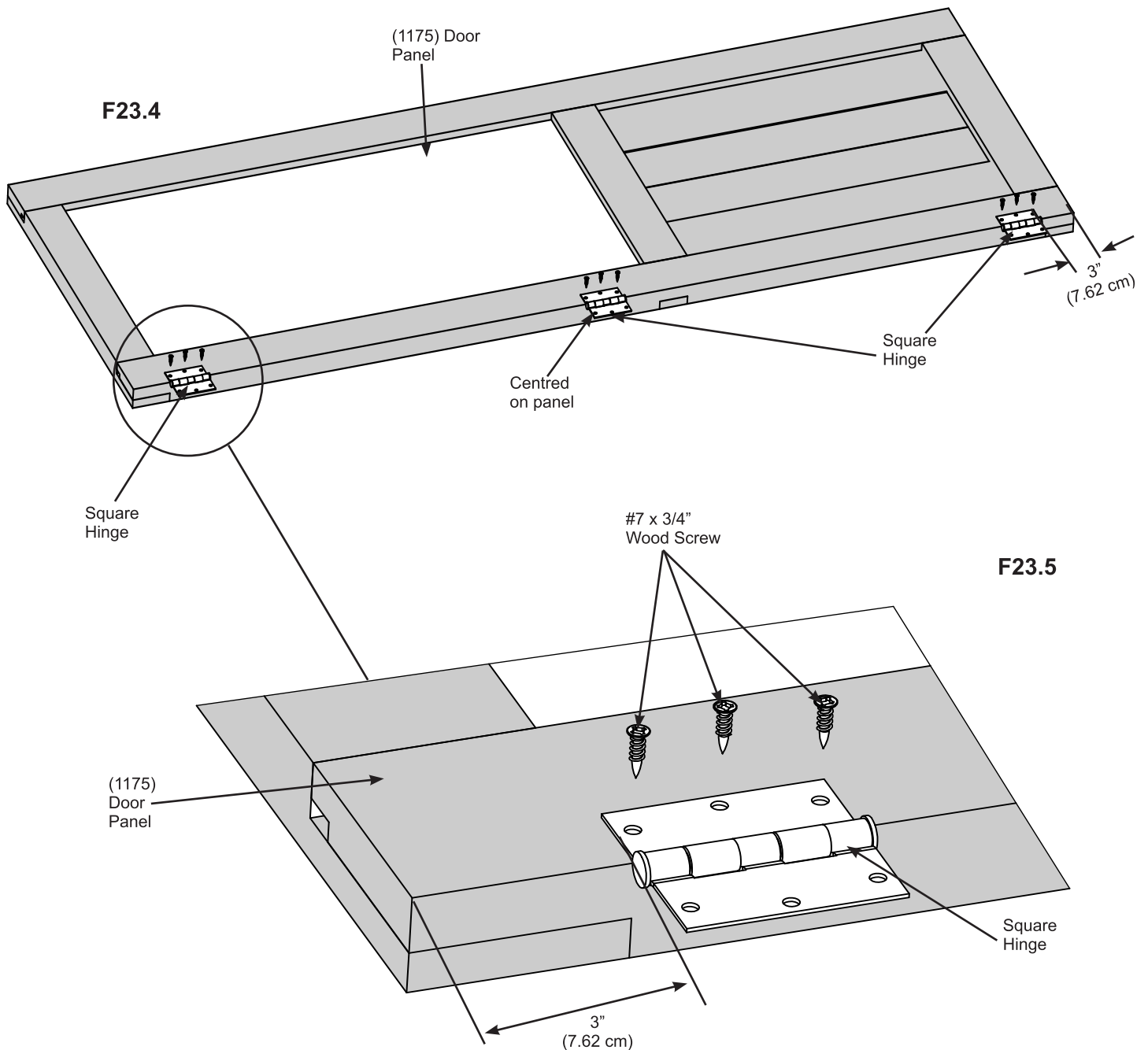
Step 23: Door Assembly Part 2



Note: Door can be hung from either the right or left side. Instructions show from the left side. To hang from the right side Hinges and Sliding Barrel Bolt to be attached on the opposite side.

C: On the outside of the (1175) Door Panel measure 3" (7.62 cm) from the top and 3" (7.62 cm) from the bottom of the panel then attach two Square Hinges using three #7 x 3/4" Wood Screws per hinge. (F23.4 and F23.5)

D: On the same side as the top and bottom Square Hinges attach a third hinge centred on the panel using three #7 x 3/4" Wood Screws. (F23.4 and F23.5)



Wood Parts

1 x (1175) Door Panel

Components

3 x Square Hinges

Hardware

9 x #7 x 3/4" Wood Screw

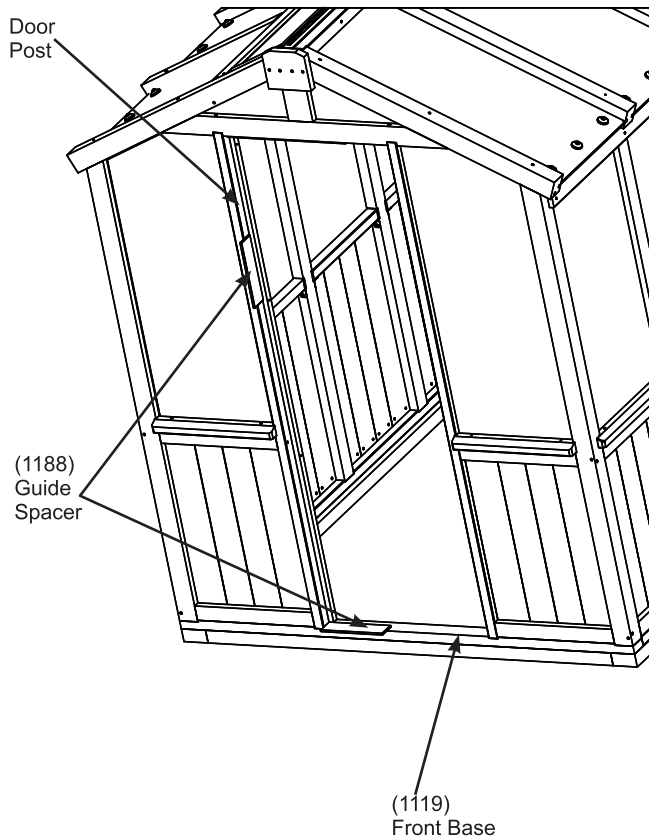
Step 23: Door Assembly Part 3



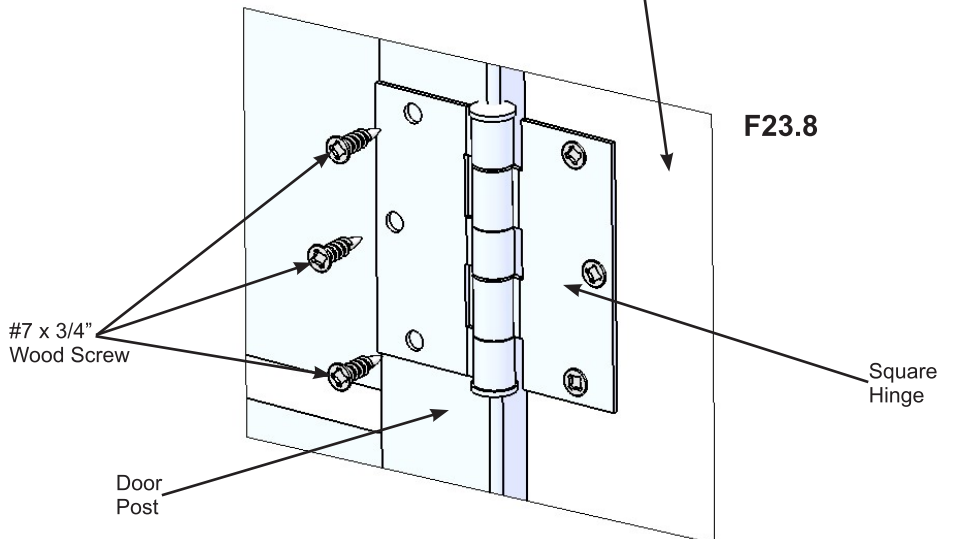
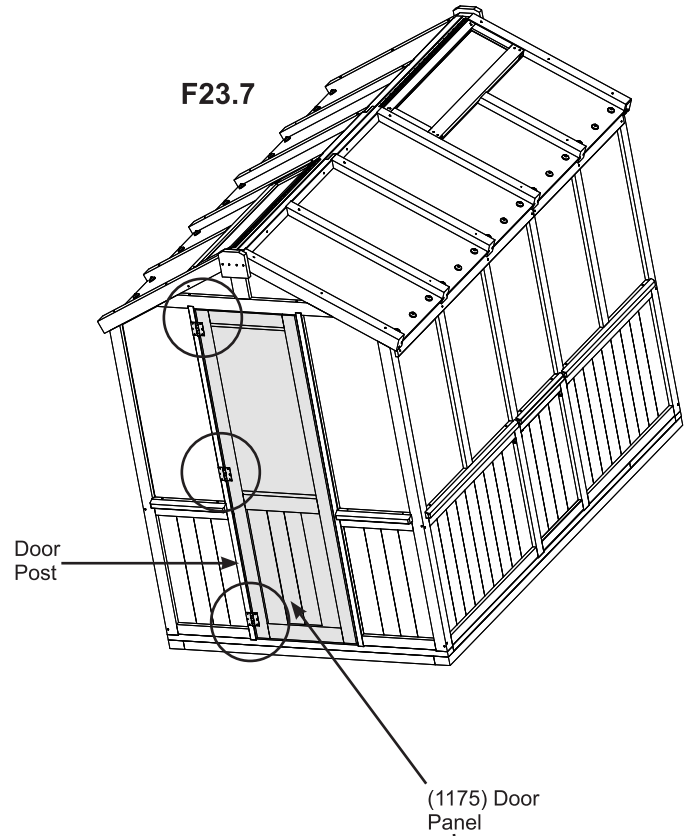
E: Place (1188) Guide Spacers flat on Door Post and (1119) Front Base to set the space in the door opening for the (1175) Door Panel placement. (F23.6)

F: Place (1175) Door Panel in door opening and attach Square Hinges to Door Post with three #7 x 3/4" Wood Screws per hinge. Remove (1188) Guide Spacers. (F23.7 and F23.8)

F23.6



F23.7



Hardware

9 x #7 x 3/4" Wood Screw

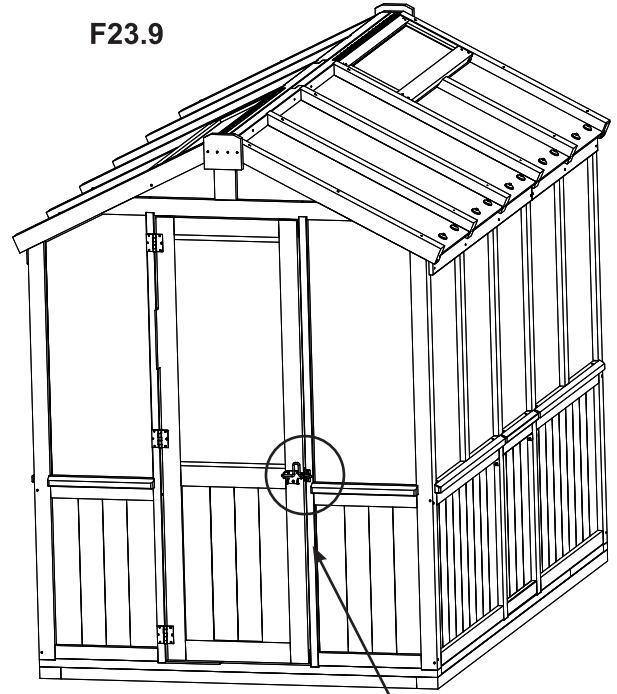
Step 23: Door Assembly Part 4



G: On the opposite side from the hinges, attach Sliding Barrel Bolt 1/4" (6.35 mm) to edge of (1175) Door Panel using three #10 x 1-1/4" Black Pan Screws, as shown in F23.9 and F23.10.

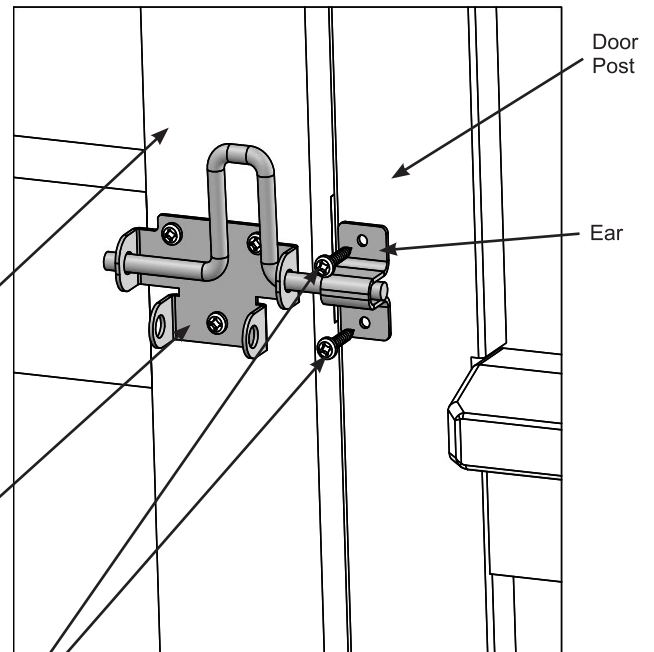
H: Close (1175) Door Panel to determine placement of the Ear of the Sliding Barrel Bolt on the Door Post then attach with two #10 x 1-1/4" Black Pan Screws. (F23.9 and F23.11)

F23.9

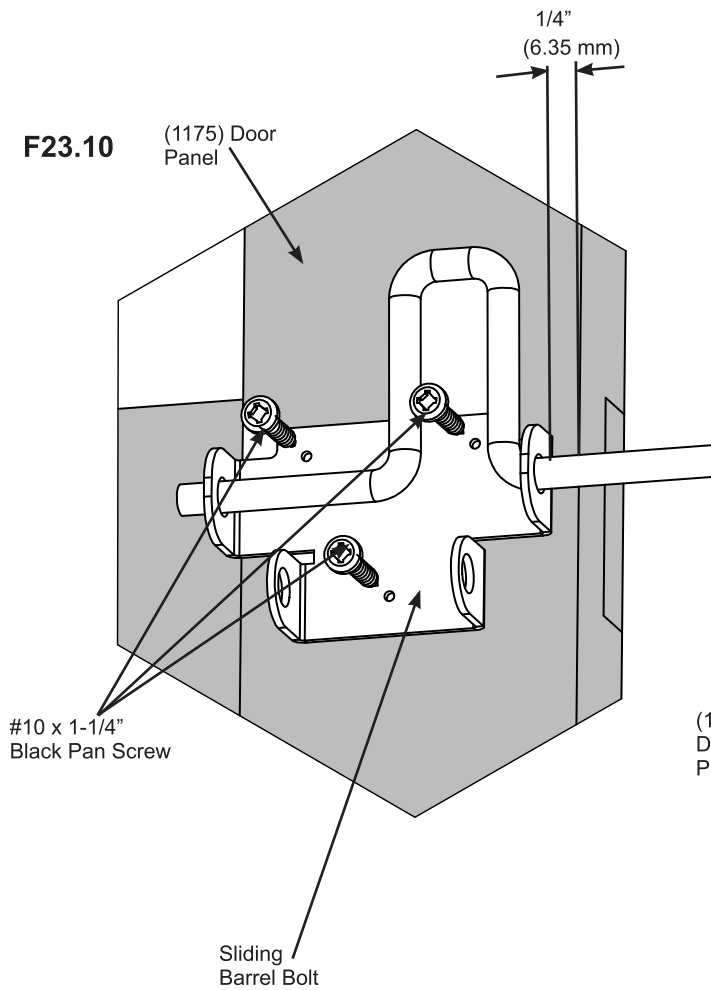


Door Post

F23.11



F23.10



Components

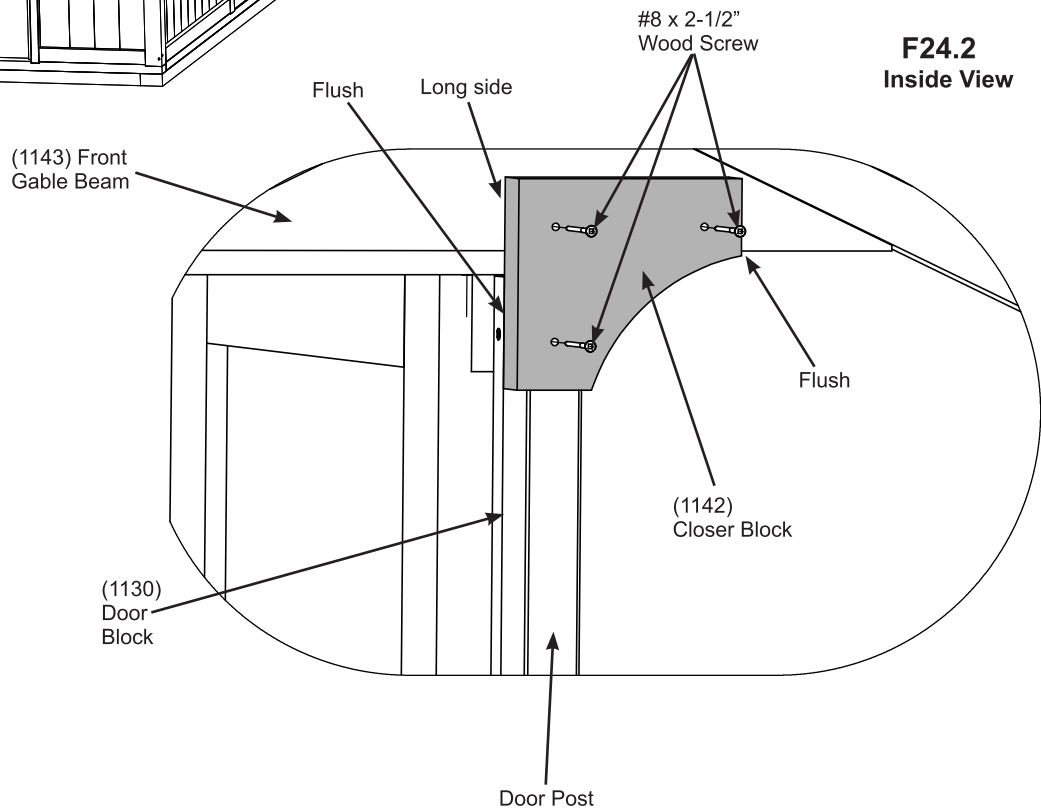
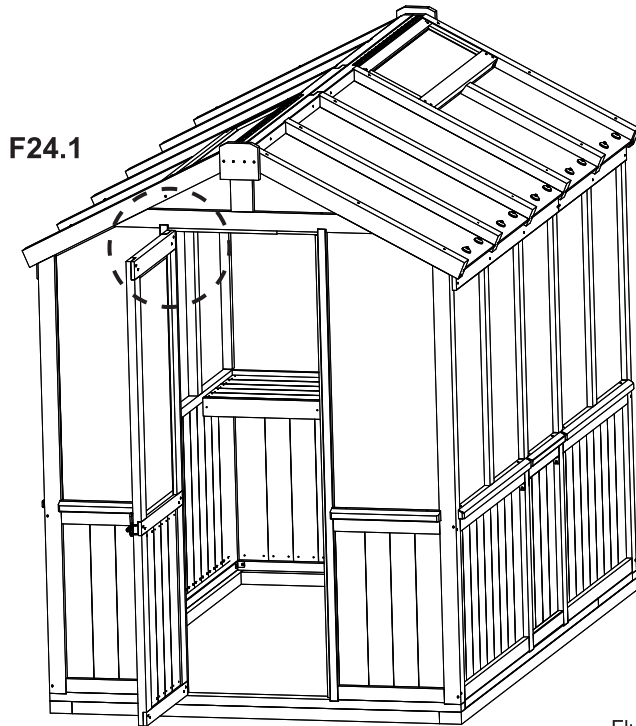
1 x Sliding Barrel Bolt

Hardware

5 x #10 x 1-1/4" Black Pan Screw

Step 24: Attach Closer Block

A: From inside the greenhouse, on the door side, with the door open, place (1142) Closer Block against Door Post and flush to outside edge of (1130) Door Block. The long side will be against (1130) Door Block and bottom of arch flush to the bottom of (1143) Front Gable Beam. Attach (1142) Closer Block to Door Post and (1143) Front Gable Beam with three #8 x 2-1/2" Wood Screws. (F24.1 and F24.2)



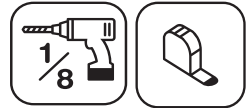
Wood Parts

1 x (1142) Closer Block

Hardware

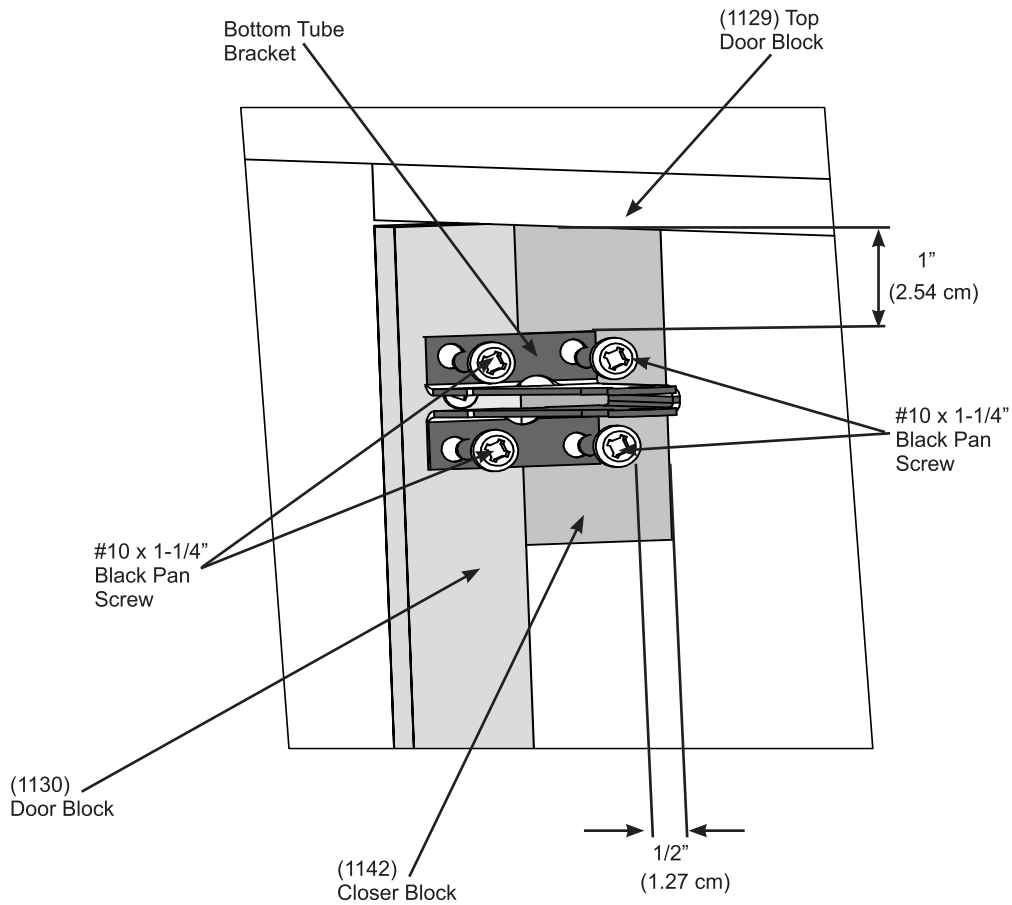
3 x #8 x 2-1/2" Wood Screw

Step 25: Attach Door Closer Part 1



A: Measure 1" (2.54 cm) down from (1129) Top Door Block and 1/2" (1.27 cm) in from edge of (1142) Closer Block then place Bottom Tube Bracket on (1142) Closer Block and (1130) Door Block, pre-drill with a 1/8" drill bit then attach with four #10 x 1-1/4" Black Pan Screws. (F25.1)

F25.1



Components

1 x Bottom Tube Bracket

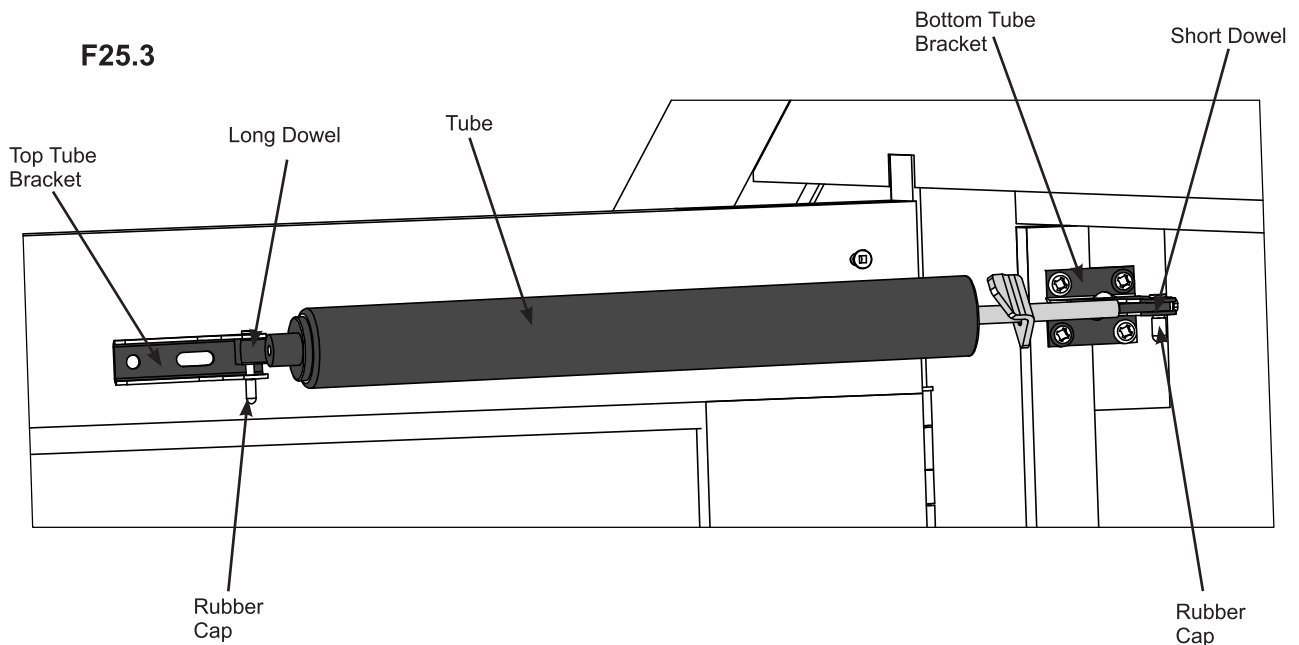
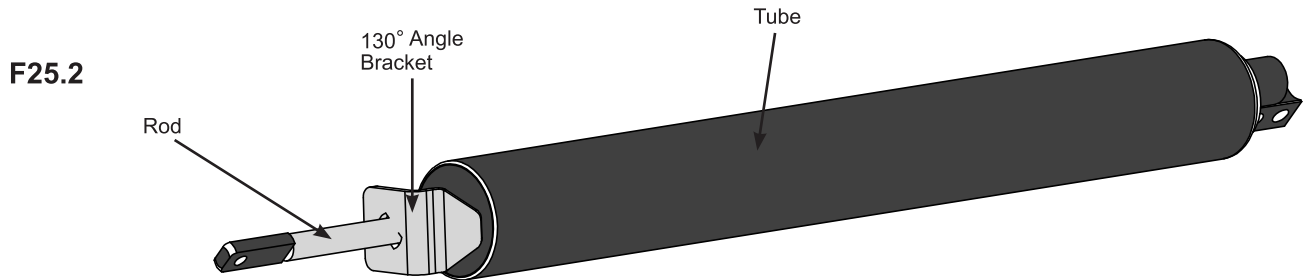
Hardware

4 x #10 x 1-1/4" Black Pan Screw

Step 25: Attach Door Closer Part 2

B: Slide 130° Angle Bracket over rod of the Tube then attach with Short Dowel to Bottom Tube Bracket and attach a Rubber Cap. (F25.2 and F25.3)

C: Attach Top Tube Bracket to the end of the Tube with Long Dowel and attach a Rubber Cap. (F25.3)



Components

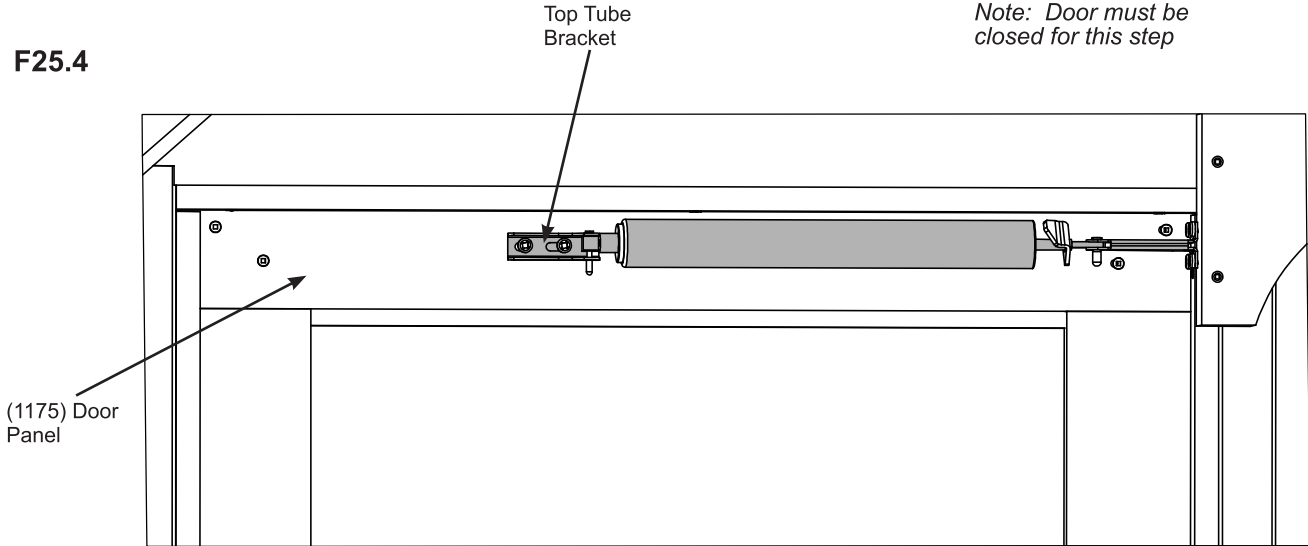
2 x Rubber Cap	1 x Short Dowel
1 x Top Tube Bracket	1 x Long Dowel
1 x 130° Angle Bracket	1 x Tube

Step 25: Attach Door Closer Part 3

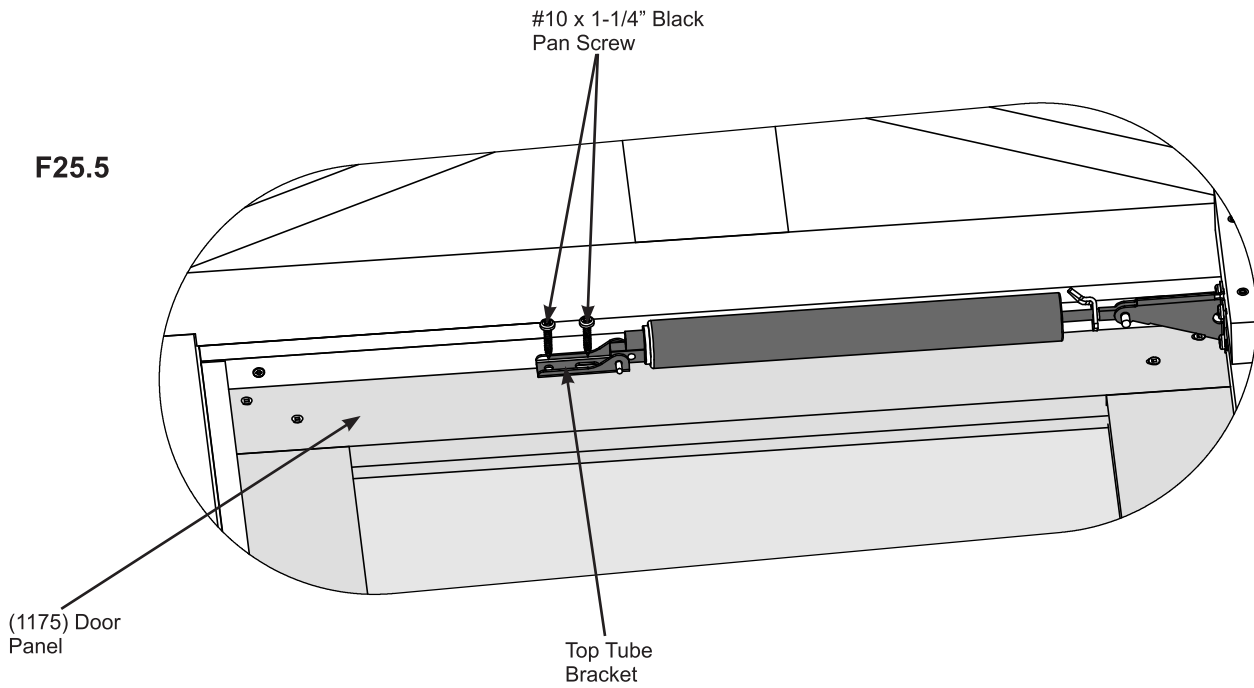


D: Close the door and attach Top Tube Bracket to (1175) Door Panel with two #10 x 1-1/4" Black Pan Screws. Make sure tube is level . (F25.4 and F25.5)

F25.4



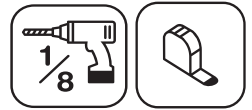
F25.5



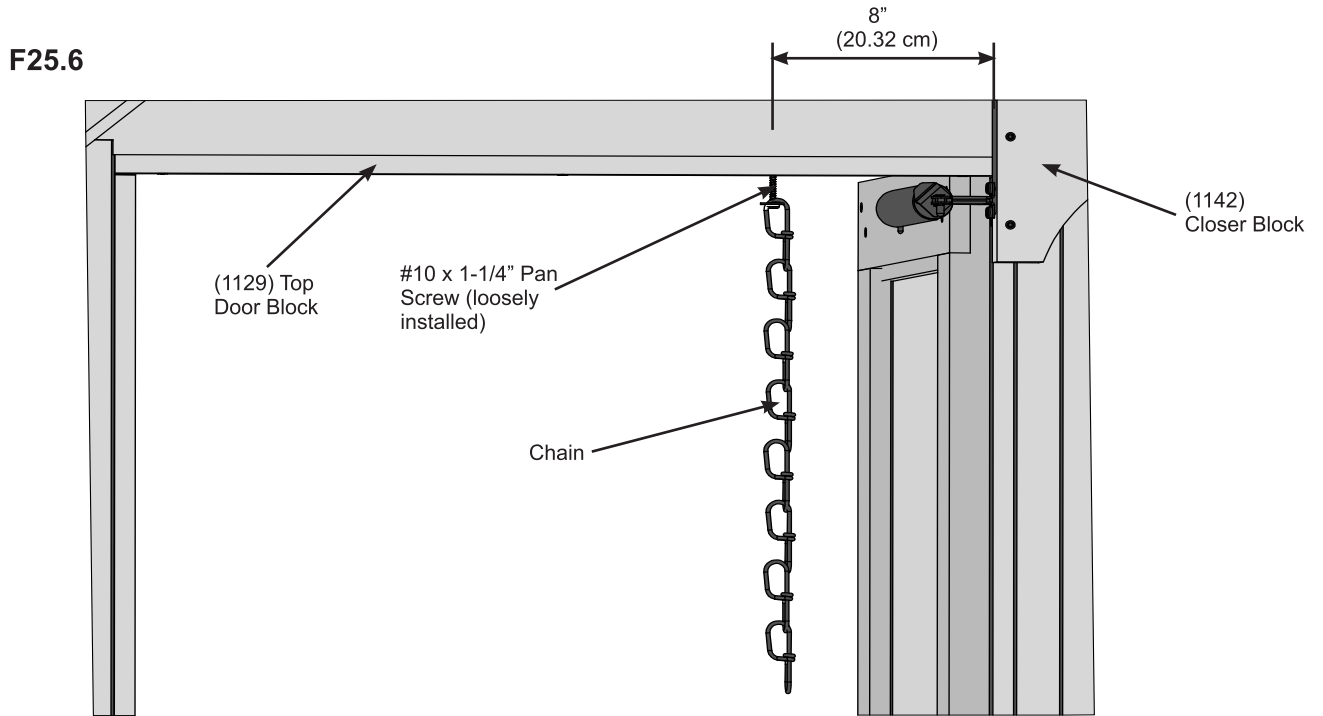
Hardware

2 x #10 x 1-1/4" Black Pan Screw

Step 25: Attach Door Closer Part 4

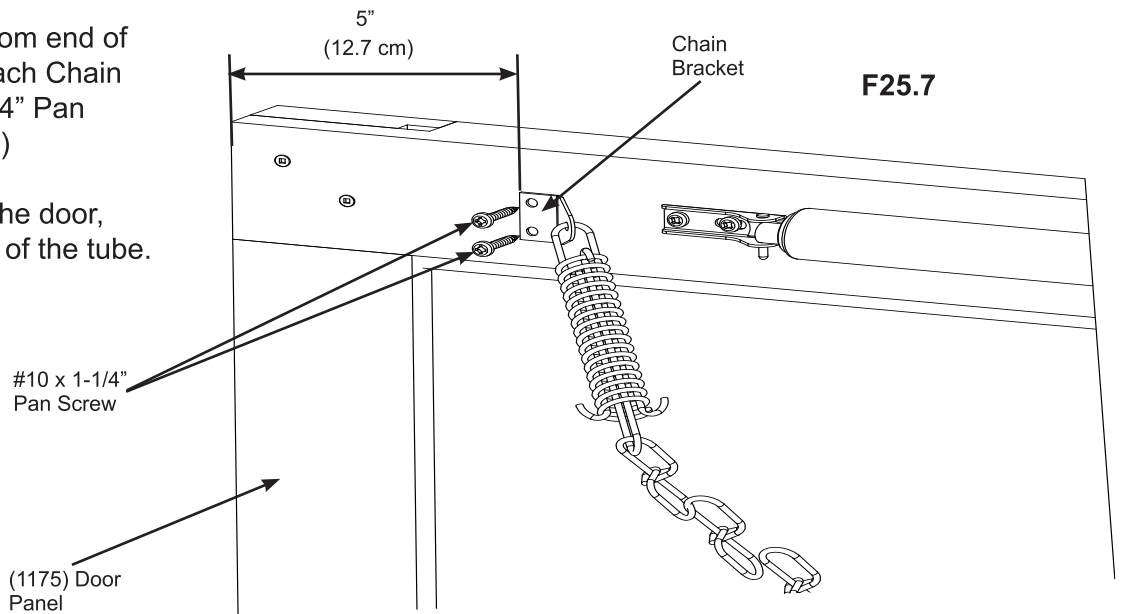


E: Open door, then along (1129) Top Door Block measure 8" (20.32 cm) in from (1130) Door Block and centred on (1129) Top Door Block pre-drill with a 1/8" drill bit. Put one #10 x 1-1/4" Pan Screw through end chain link then loosely attach to (1129) Top Door Block. Do not tighten screw, the chain needs to move easily. (F25.6)



F: Measure 5" (12.7 cm) from end of (1175) Door Panel then attach Chain Bracket with two #10 x 1-1/4" Pan Screws. (F25.6 and F25.7)

G: To adjust the speed of the door, adjust the screw at the end of the tube. (F25.6 and F25.7)



Components

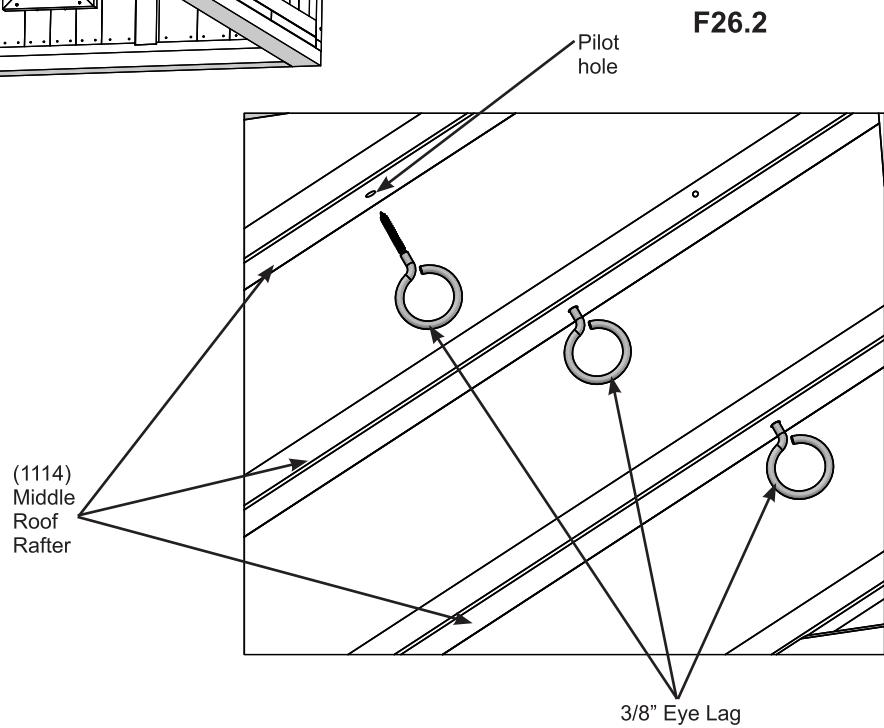
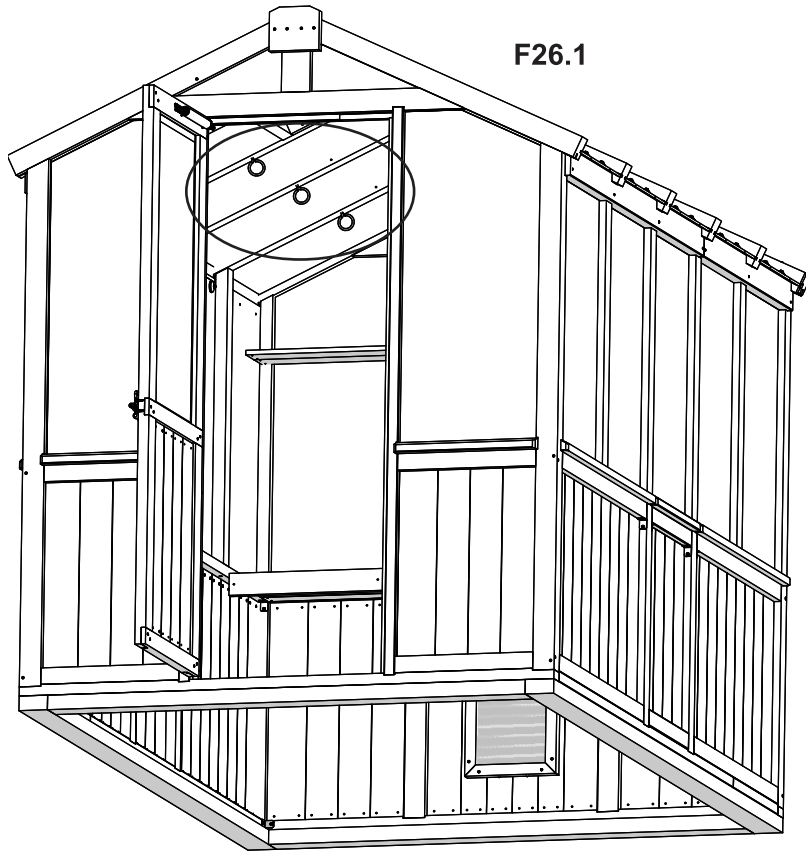
1 x Chain with Chain Bracket

Hardware

3 x #10 x 1-1/4" Pan Screw - Yellow

Step 26: Attach Eye Lags

A: Attach one 3/8" Eye Lag to the pilot hole in each (1114) Middle Roof Rafter on both roof assemblies. (F26.1 and F26.2)

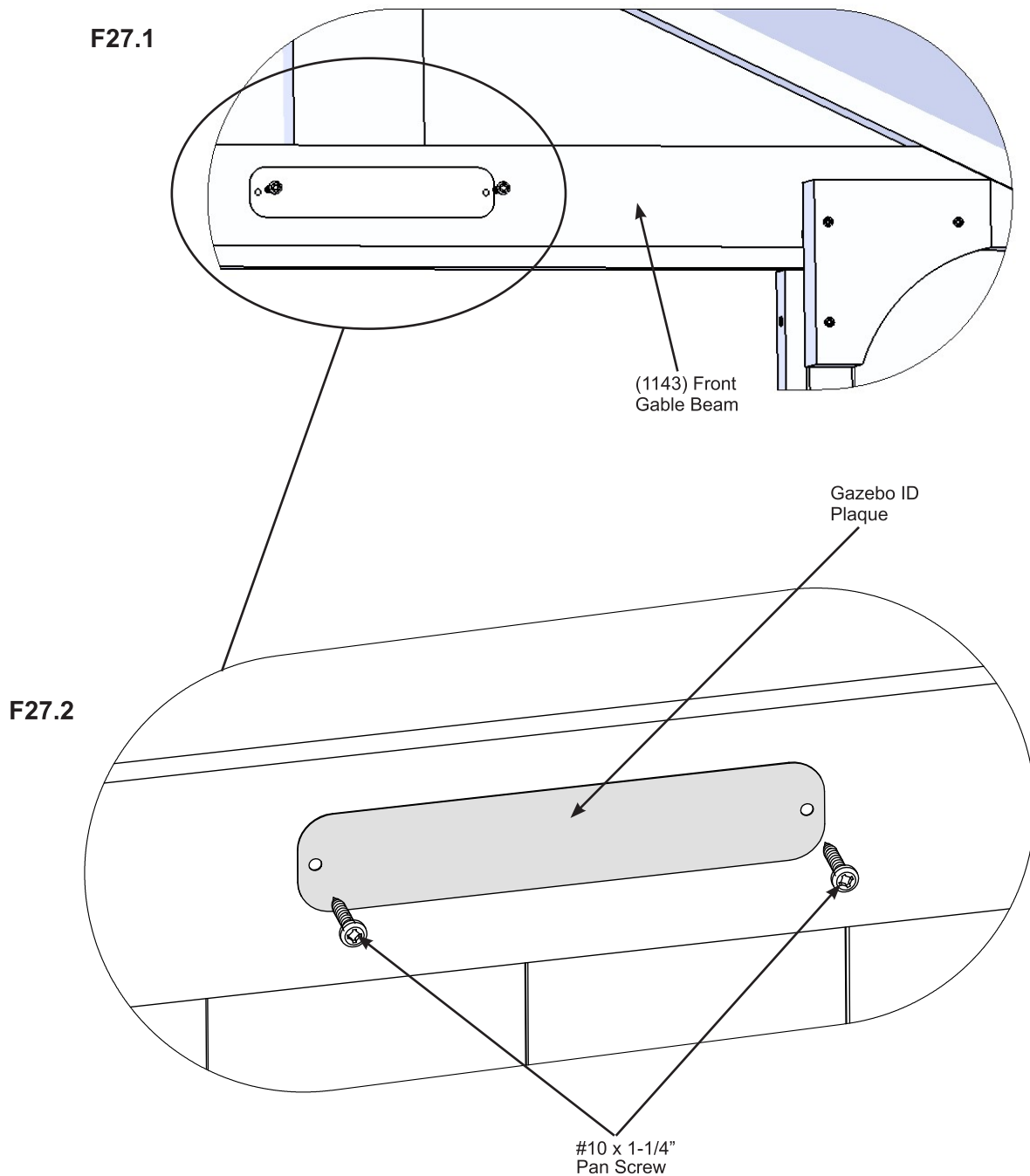


Components

6 x 3/8" Eye Lag

Step 27: Attach ID Plaque

A: Attach Gazebo ID Plaque to a prominent location on your greenhouse, such as inside the greenhouse above the door, with two #10 x 1-1/4" Pan Screws. This provides warnings concerning safety and important contact information. A tracking number is provided to allow you to get critical information or order replacement parts for this specific model. (F27.1 and F27.2)



Components:

1 x Gazebo ID Plaque

Hardware

2 x #10 x 1-1/4" Pan Screw - Yellow



Customer Registration Card - Tarjeta de Registro del Cliente - Carte d'inscription du client

First Name - Primer Nombre - Prénom	Initial - Inicial - Initiale	Last Name - Apellido - Nom de famille

Street - Calle - Rue	PO Box - Casilla postal - Boîte postale	Apt. No. - App.

City - Ciudad - Ville	State/Province - Estado/Provincia - État/Province

ZIP/Postal Code - Código Postal - ZIP/Code postal	Country - País - Pays

E-mail Address - Dirección de E-mail - Adresse courriel	Telephone Number - No. de Teléfono - N° de téléphone

Model Name - Nombre del Modelo - Nom du modèle	Model Number (from front cover) - Número de Modelo (de la portada) - N° du modèle (page de couverture)

Date of Purchase - Fecha de Compra - Date d'achat (mm/dd/yyyy) (mm/dd/aaaa) (mm/jj/aaaa)	Place of Purchase - Comprado a - Lieu d'achat

Comments - Comentarios - Commentaires:

Mail To - Enviar por Correo a - Envoyer par courrier à:

Yardistry
375 Sligo Road West, PO Box 10
Mount Forest, Ontario, Canada, N0G 2L0
Attention: Consumer Relations
Atención a: Servicio de Atención al Cliente
À l'attention de: Service à la clientèle

Online Registration - Registro online - Enregistrement en ligne:

www.yardistrystructures.com/warranty

Hours/ Heures/ Horas: 8:30 am - 5:00 pm EST
(excl. holidays/ hors jours fériés/ excepto los días festivos)

English and French Spoken / Anglais et français parlés / Inglés y francés hablado

Yardistry would like to say "Thank you" for your time and feedback.

Yardistry quiere "Agradecerle" por su tiempo y su opinión.

Yardistry aimerait vous remercier d'avoir pris le temps de répondre au sondage.