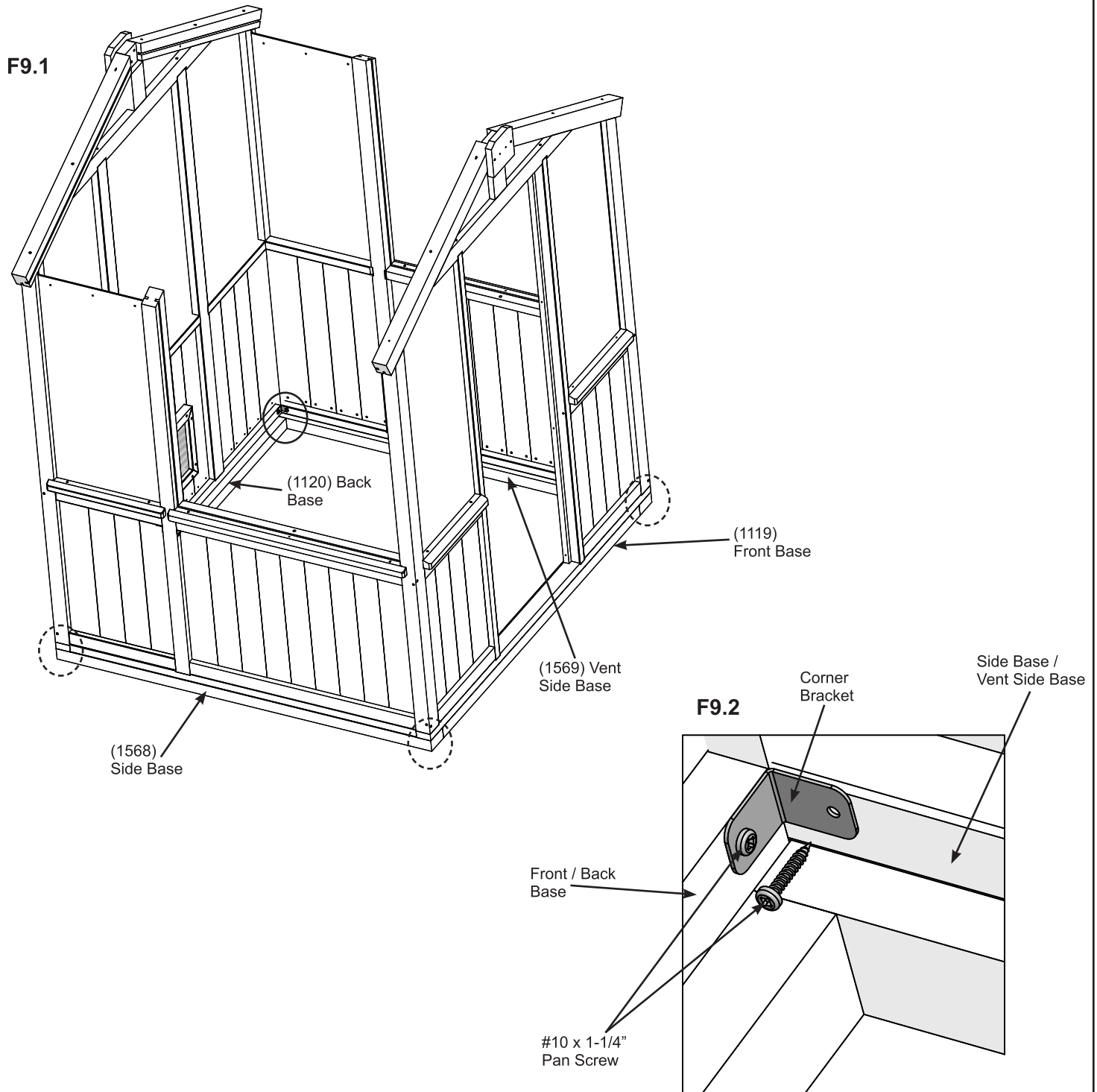


Step 9: Attach Corner Brackets

Part 1

A: On the inside of the assembly, using one Corner Bracket per corner connect (1119) Front Base and (1120) Back Base to (1568) Side Base and (1569) Vent Side Base with two #10 x 1-1/4" Pan Screws per bracket. (F9.1 and F9.2)



Components

4 x Corner Bracket

Hardware

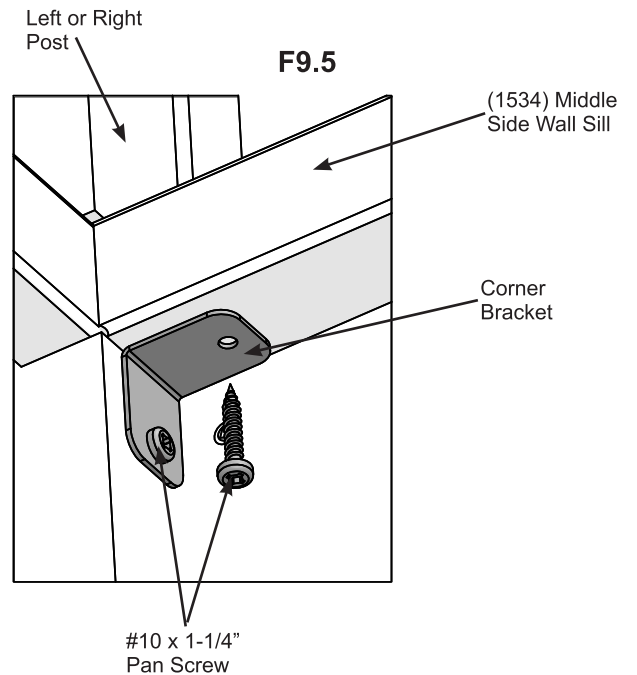
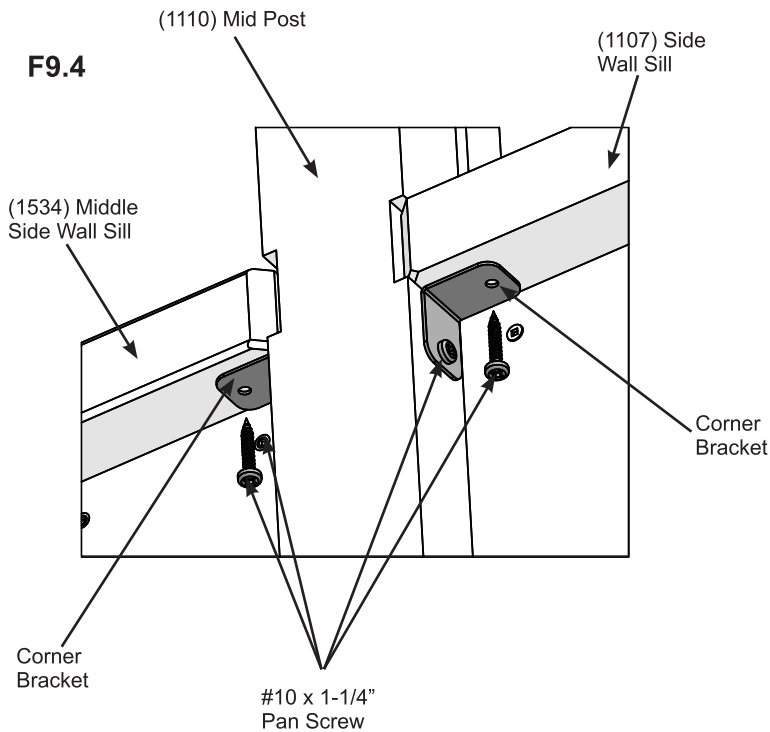
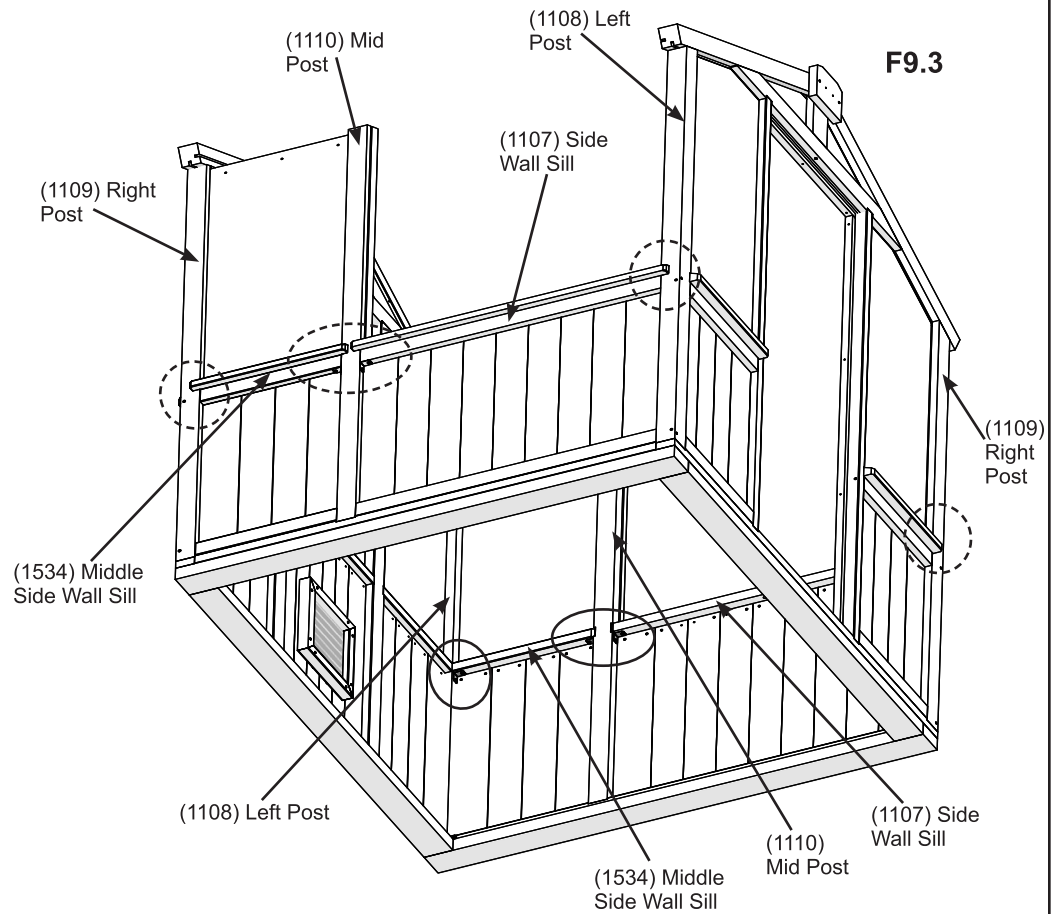
8 x #10 x 1-1/4" Pan Screw

Step 9: Attach Corner Brackets

Part 2

B: On the side with no shelf, on the inside of the assembly, underneath (1107) Side Wall Sill and (1534) Middle Side Wall Sill, using one Corner Bracket per corner connect each (1108) Left Post, (1109) Right Post and (1110) Mid Post to each Wall Sill with two #10 x 1-1/4" Pan Screws per bracket. (F9.3, F9.4 and F9.5)

C: On the side with the shelf connect only to the Mid Post.



Components

6 x Corner Bracket

Hardware

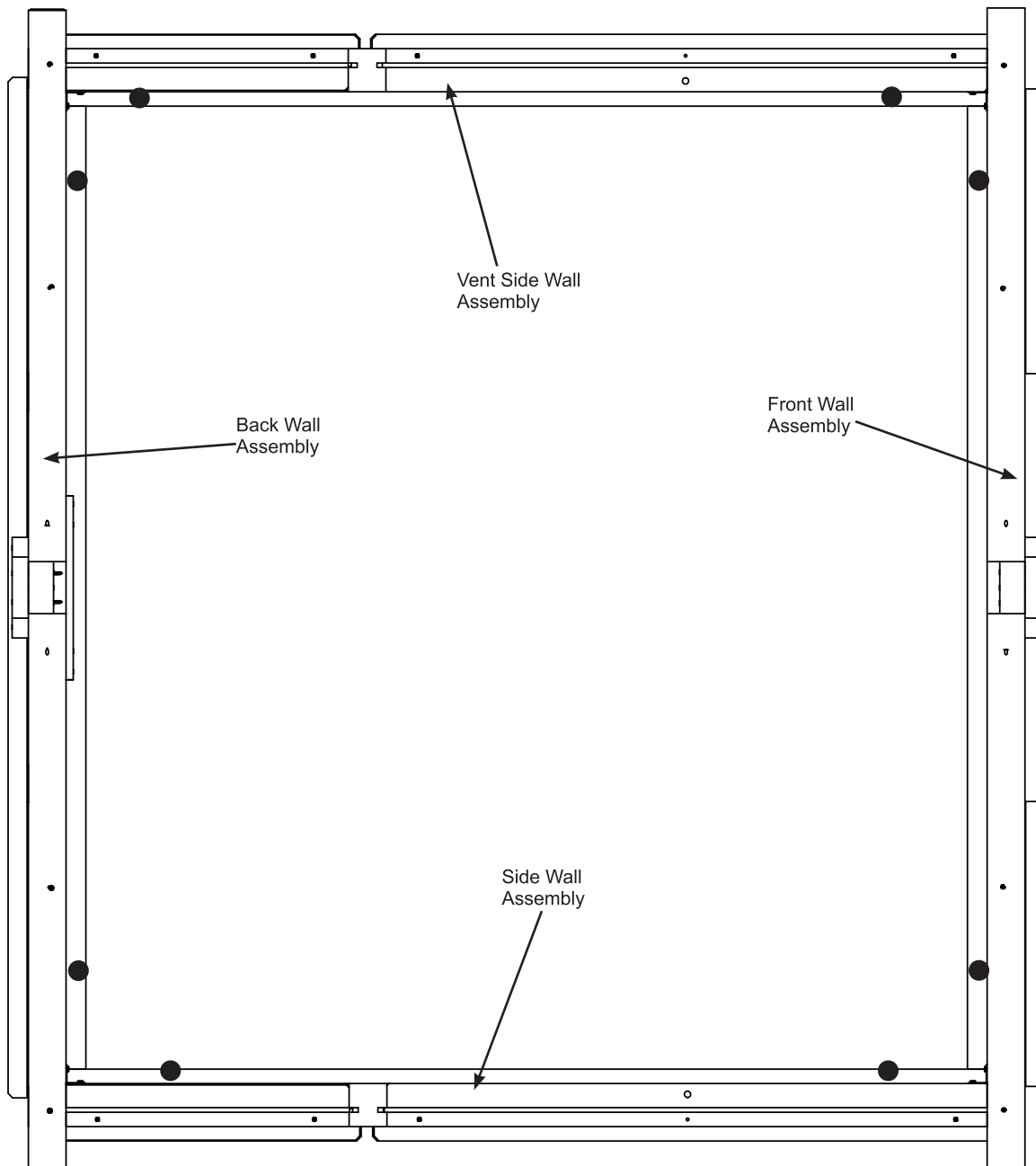
12 x #10 x 1-1/4" Pan Screw

Step 10: Secure Assembly to Base



A: Using the purchased hardware as mentioned on page 7, pre-drill then secure the Front Wall, Back Wall and Side Walls to the base in the locations shown in F10.1.

F10.1

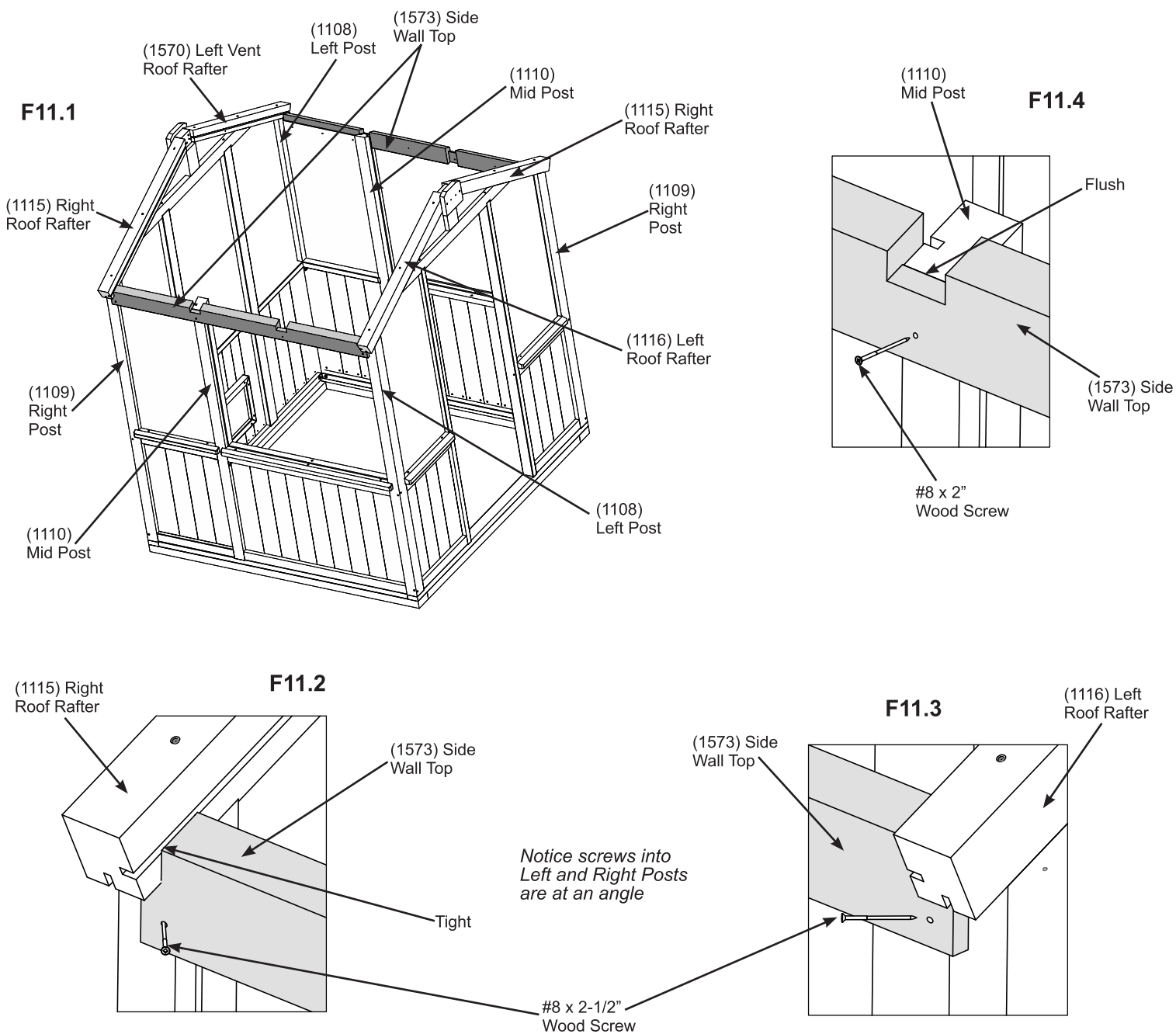


Step 11: Side Wall Panel Assembly Part 1



A: On the Side Wall and Vent Side Wall Assemblies place one (1573) Side Wall Top tight to bottom of (1115) Right Roof Rafters, (1116) Left Roof Rafter and (1570) Left Vent Roof Rafter, so notches are at the top. Centre notch to be flush to the top of (1110) Mid Post. Attach (1573) Side Wall Top to (1108) Left Posts and (1109) Right Posts with one #8 x 2-1/2" Wood Screw per post. Screws are to be installed at an angle. (F11.1, F11.2 and F11.3)

B: Attach (1573) Side Wall Tops to each (1110) Mid Post with one #8 x 2" Wood Screw per post. (F11.1 and F11.4)



Wood Parts

2 x (1573) Side Wall Top

Hardware

4 x #8 x 2-1/2" Wood Screw

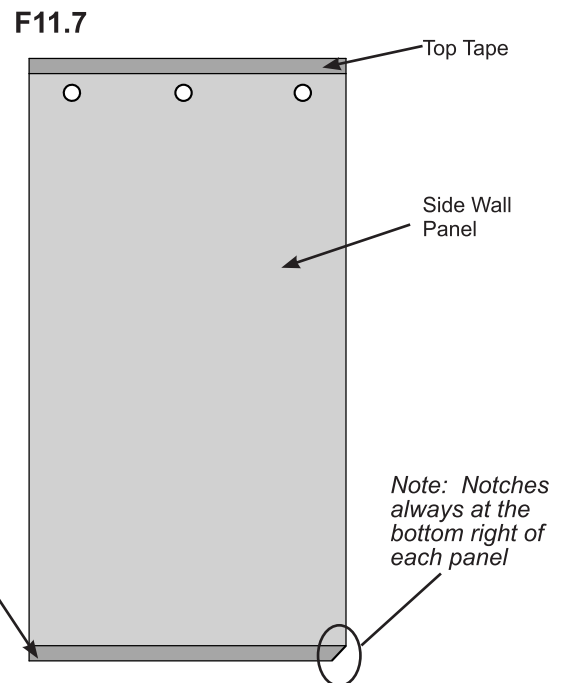
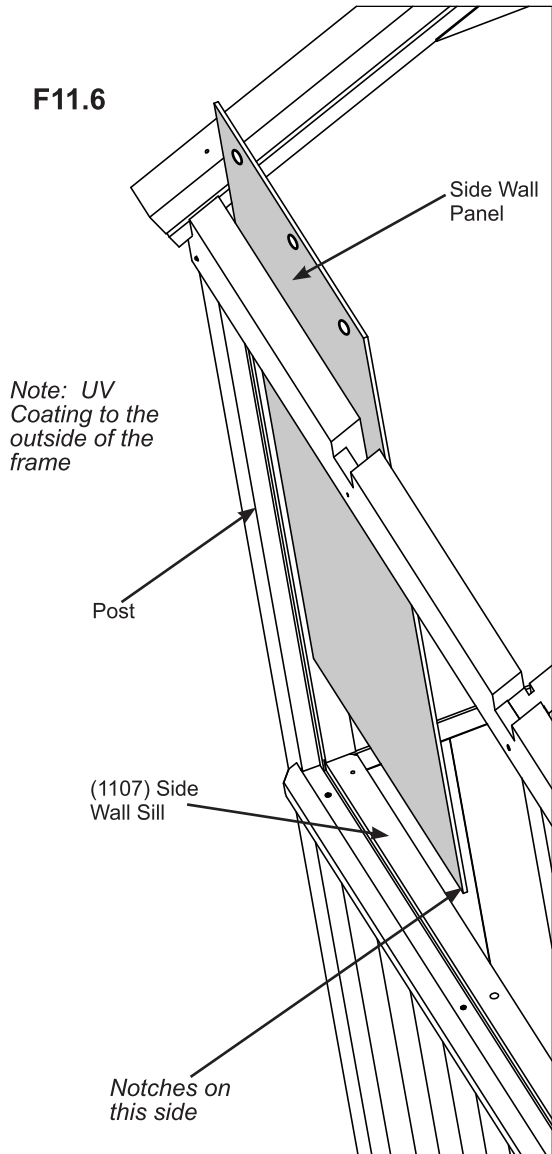
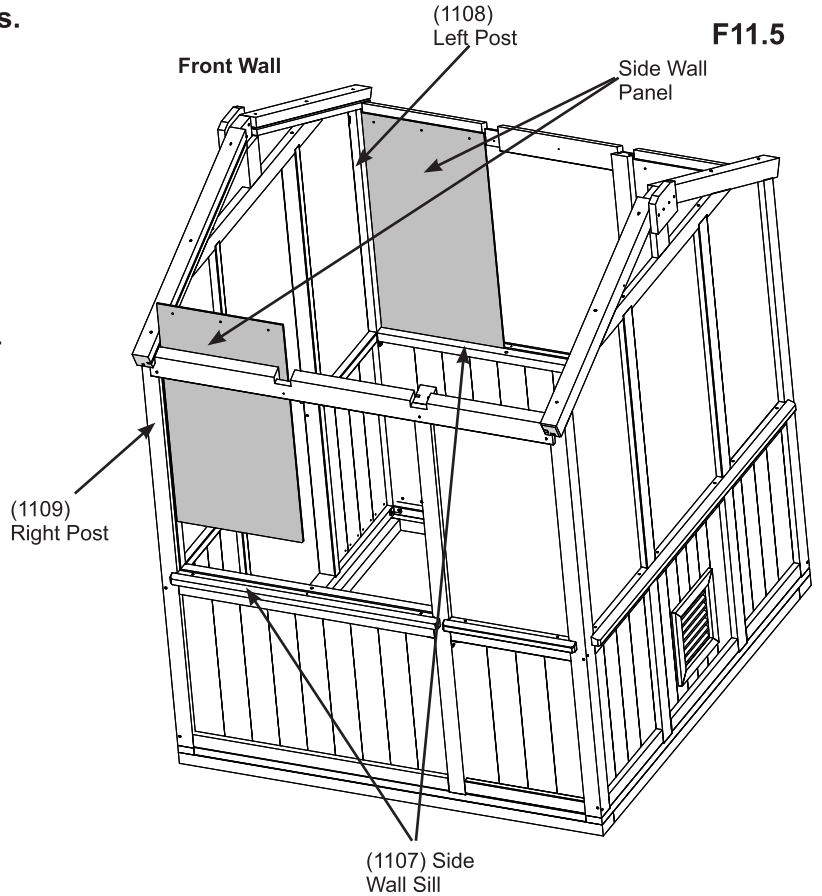
2 x #8 x 2" Wood Screw

Step 11: Side Wall Panel Assembly Part 2

Remove film from both sides of Side Wall Panels.

C: Refer to pages 16 and 17 and apply top and bottom tape to Side Wall Panels.

D: In the opening closest to the Front Wall, place Side Wall Panels in the grooves of (1107) Side Wall Sill then slide into grooves of Left and Right Posts. Make sure the notch at the bottom is always on the right side of the panel from outside of the assembly. The UV coated side must be to the outside of the assembly. (F11.5, F11.6 and F11.7)



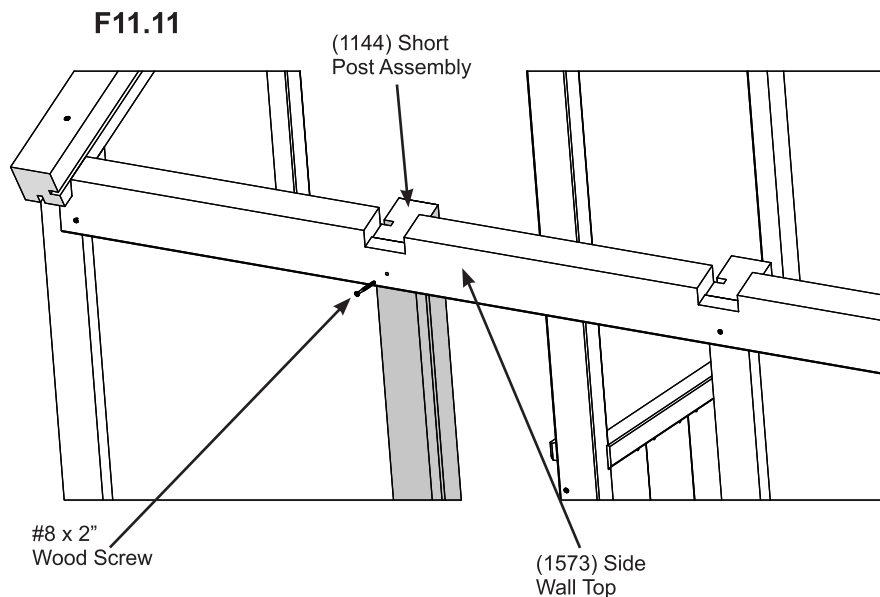
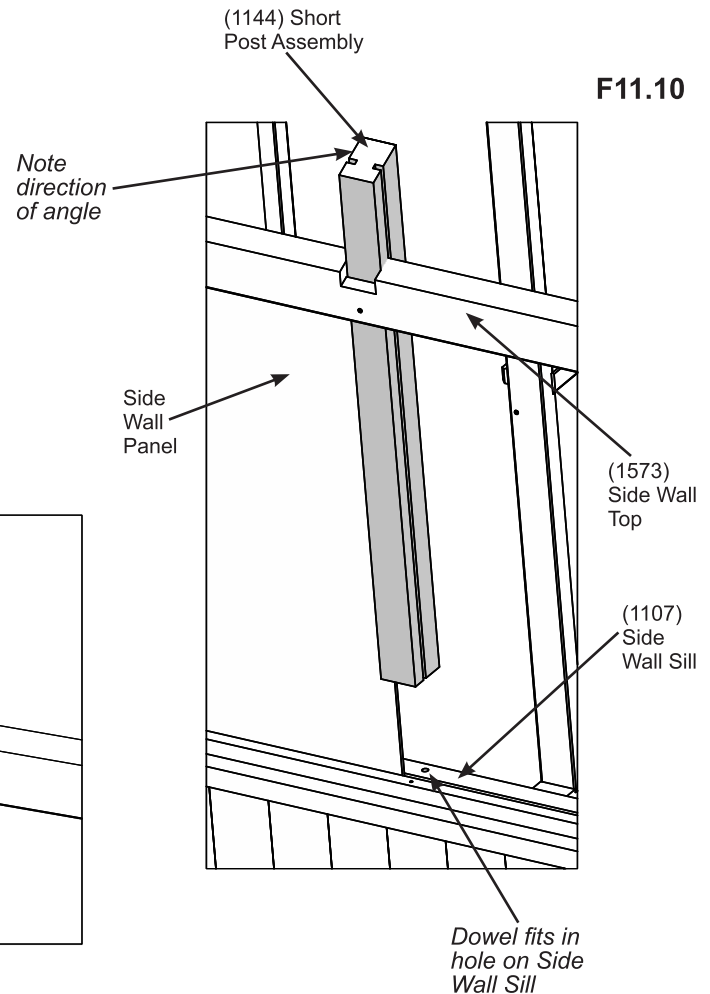
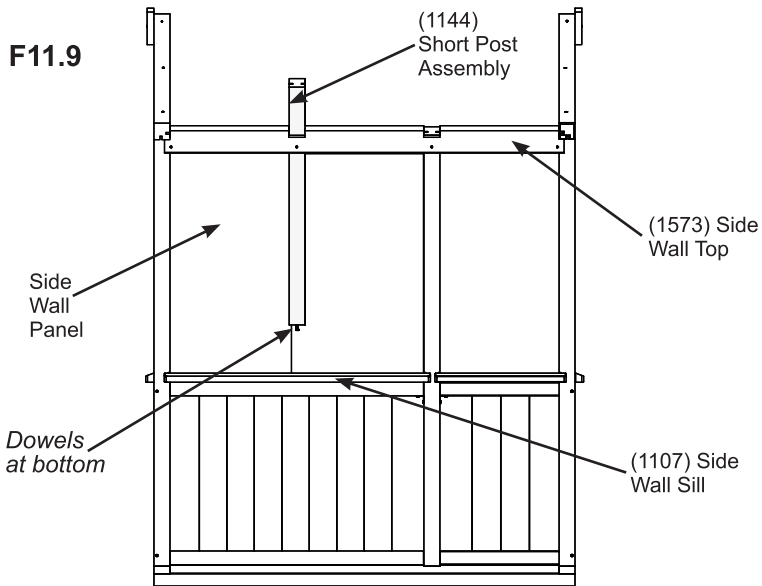
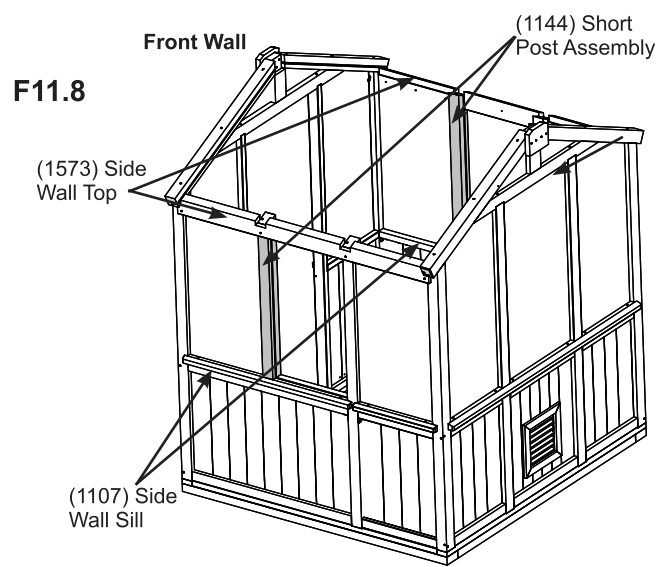
Components

- 2 x Side Wall Panel
- Top Tape
- Bottom Tape

Step 11: Side Wall Panel Assembly Part 3

E: Slide one (1144) Short Post Assembly down along the sides of each Side Wall Panel closest to the Front Wall so they fit in the notches of (1573) Side Wall Tops. Dowel is at the bottom and fits in (1107) Side Wall Sills. Note the direction of the angle at the top. (F11.8, F11.9 and F11.10)

F: Attach (1573) Side Wall Tops to each (1144) Short Post Assembly with one #8 x 2" Wood Screw per post. (F11.8 and F11.11)



Wood Parts

2 x (1144) Short Post Assembly

Hardware

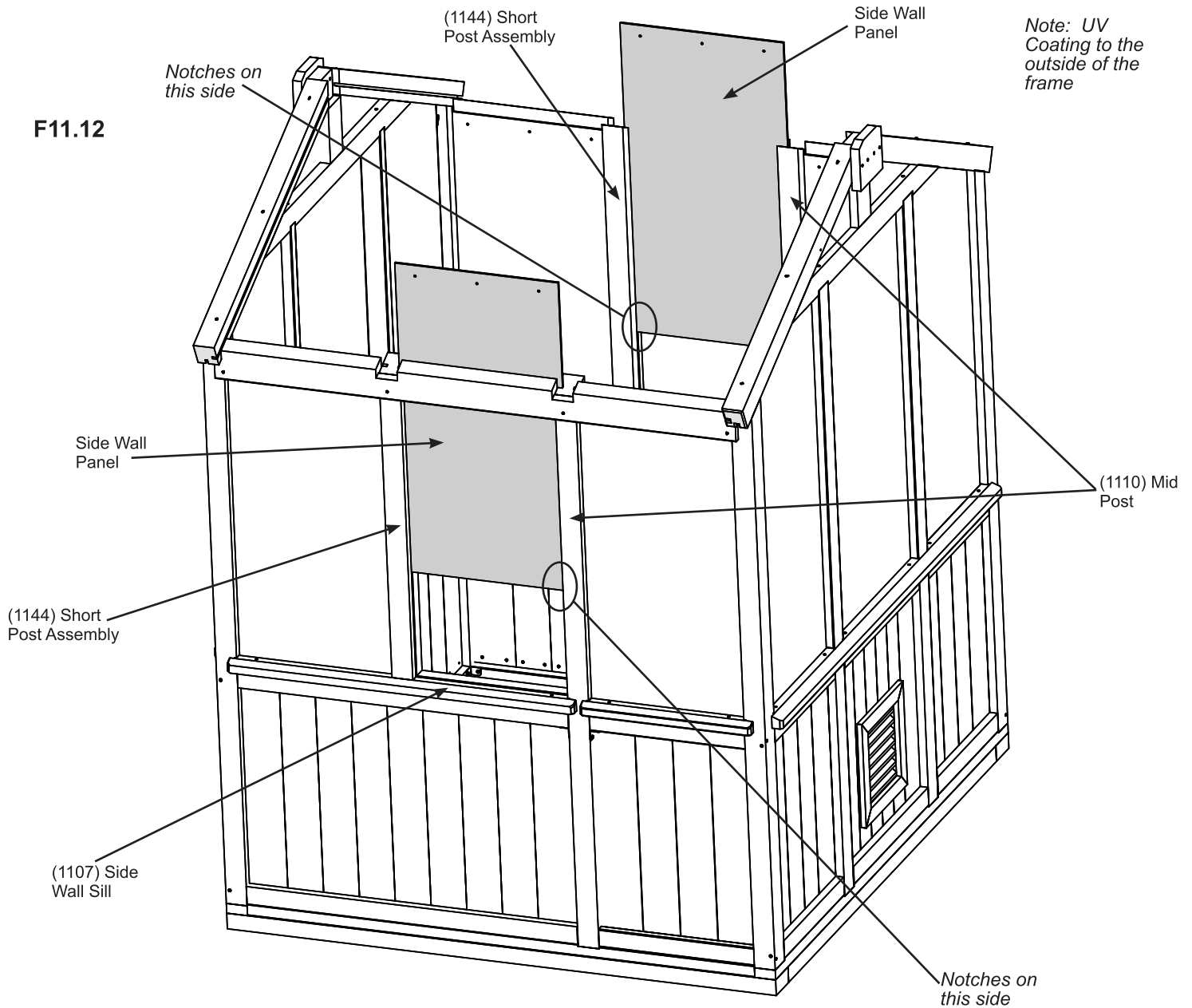
2 x #8 x 2" Wood Screw

Step 11: Side Wall Panel Assembly Part 4

Remove film from both sides of Side Wall Panels.

G: Refer to pages 16 and 17 and apply top and bottom tape to Side Wall Panels.

H: In the grooves of (1144) Short Post Assemblies and (1110) Mid Posts slide Side Wall Panels down to fit in the grooves of (1107) Side Wall Sills. Make sure the notch at the bottom is always on the right side of the panel from outside of the assembly. The UV coated side must be to the outside of the assembly. (F11.12)



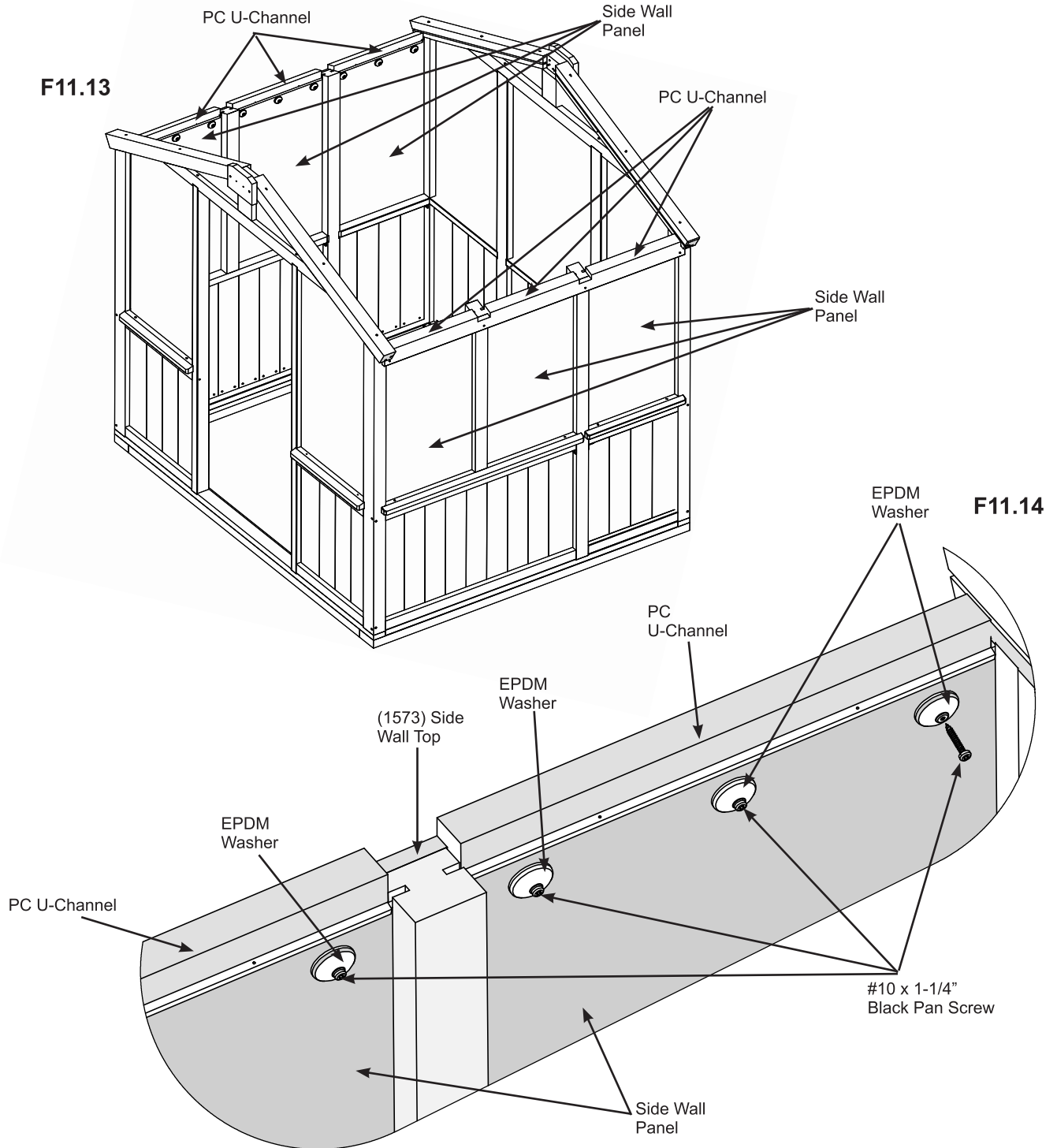
Components

2 x Side Wall Panel
Top Tape
Bottom Tape

Step 11: Side Wall Panel Assembly Part 5

I: On the top of each Side Wall Panel place one PC U-Channel. (F11.13 and F11.14)

J: Attach each Side Wall Panel to (1573) Side Wall Tops using three #10 x 1-1/4" Black Pan Screws with EPDM washers per panel. (F11.13 and F11.14)



Components

6 x PC U-Channel

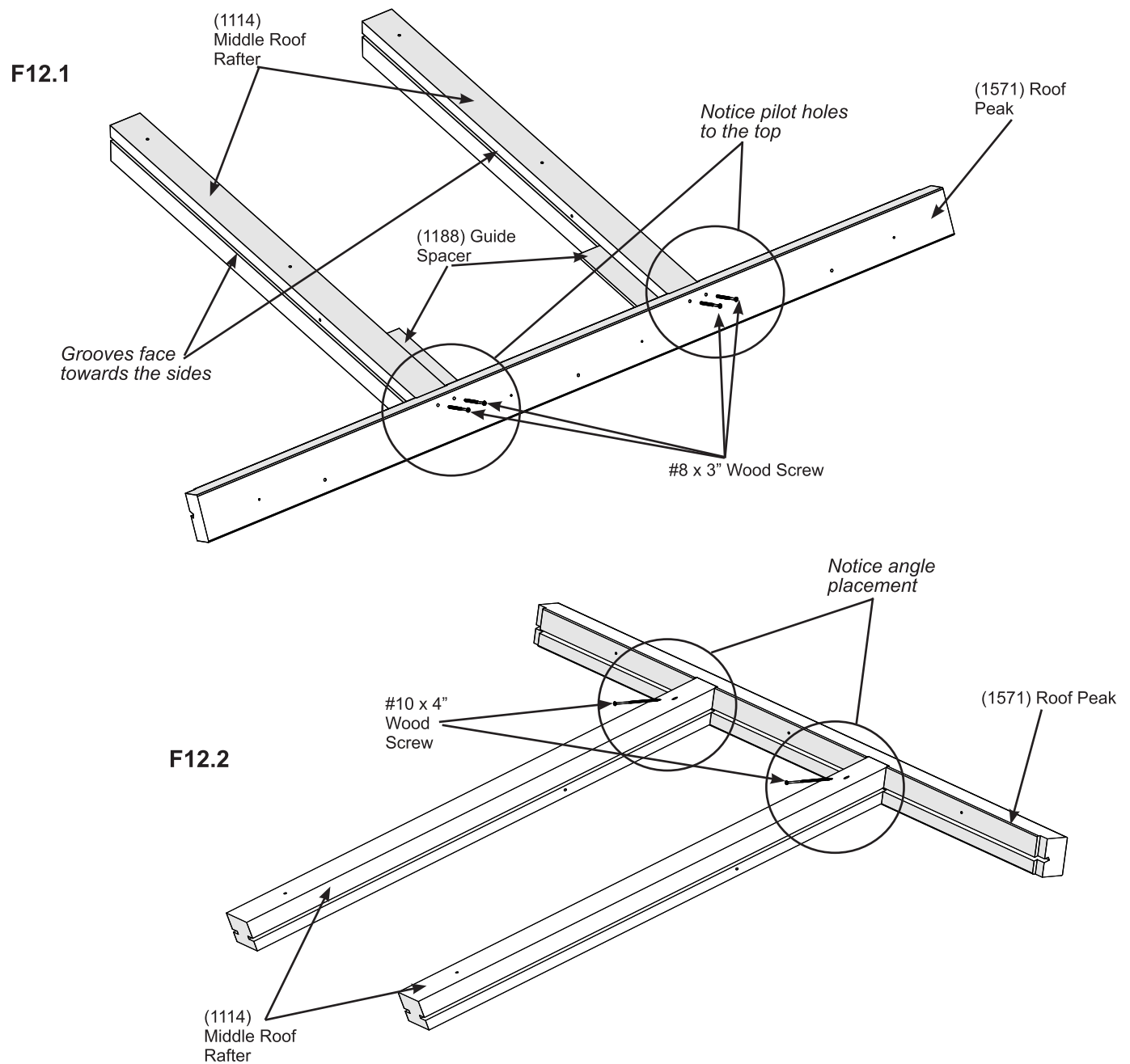
Hardware

18 x #10 x 1-1/4" Black Pan Screw
18 x EPDM Washer

Step 12: Roof Peak Assembly

A: Place two (1114) Middle Roof Rafters in the notches of (1571) Roof Peak. Angled end of rafters tight to (1571) Roof Peak. Groove of (1571) Roof Peak is towards the top of the board and grooves in (1114) Middle Roof Rafters face the sides and should line up with grooves in (1571) Roof Peak. Use (1188) Guide Spacers in grooves of (1571) Roof Peak and (1114) Middle Roof Rafter for accurate positioning then attach with two #8 x 3" Wood Screws per rafter. Remove (1188) Guide Spacers (F12.1)

B: Flip the assembly over then attach each (1114) Middle Roof Rafter to (1571) Roof Peak with one #10 x 4" Wood Screw per rafter. Screws are installed at an angle. (F12.2)



Wood Parts

2 x (1114) Middle Roof Rafter
1 x (1571) Roof Peak

Hardware

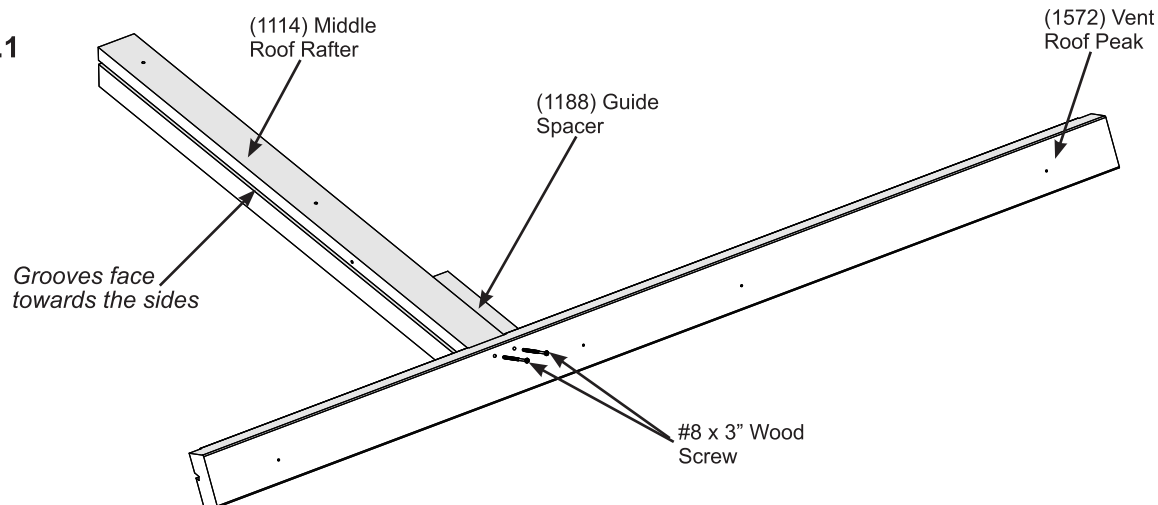
4 x #8 x 3" Wood Screw
2 x #10 x 4" Wood Screw

Step 13: Vent Roof Peak Assembly

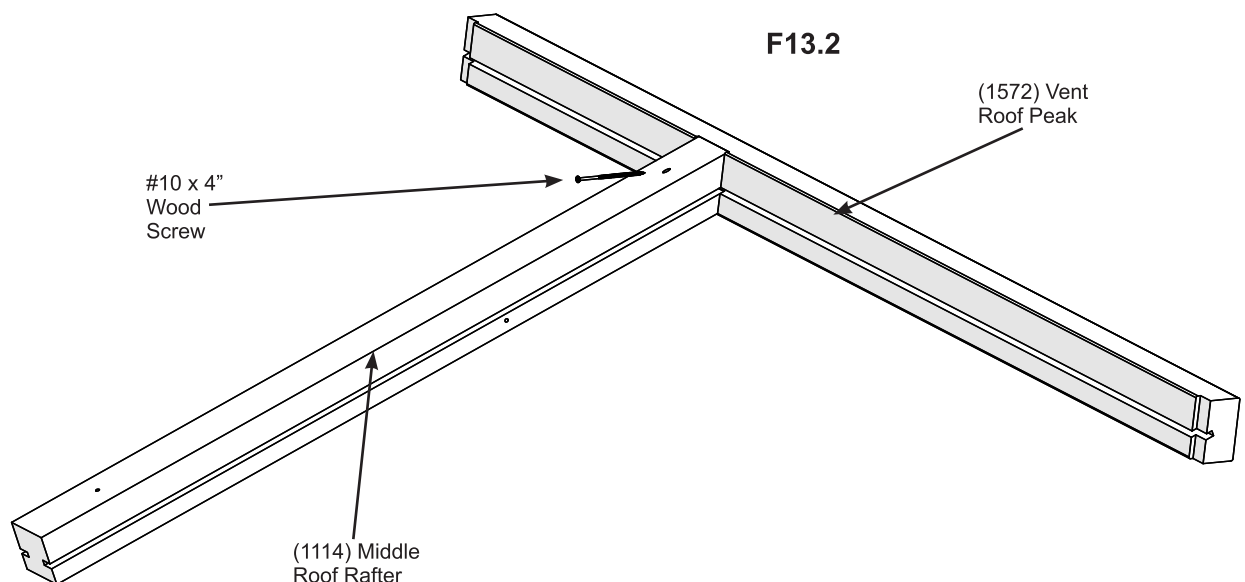
A: Place one (1114) Middle Roof Rafter in notches of (1572) Vent Roof Peak. Angled end of rafter tight to (1572) Vent Roof Peak. Groove of (1572) Vent Roof Peak is towards the top of the board and grooves in (1114) Middle Roof Rafter face the sides and should line up with the groove in (1572) Vent Roof Peak. Use (1188) Guide Spacers in grooves of (1572) Vent Roof Peak and (1114) Middle Roof Rafter for accurate positioning then attach with two #8 x 3" Wood Screws. Remove (1188) Guide Spacers. (F13.1)

B: Flip the assembly over then attach (1114) Middle Roof Rafter to (1572) Vent Roof Peak with one #10 x 4" Wood Screw. Screw is installed at an angle. (F13.2)

F13.1



F13.2



Wood Parts

- 1 x (1114) Middle Roof Rafter
- 1 x (1572) Vent Roof Peak

Hardware

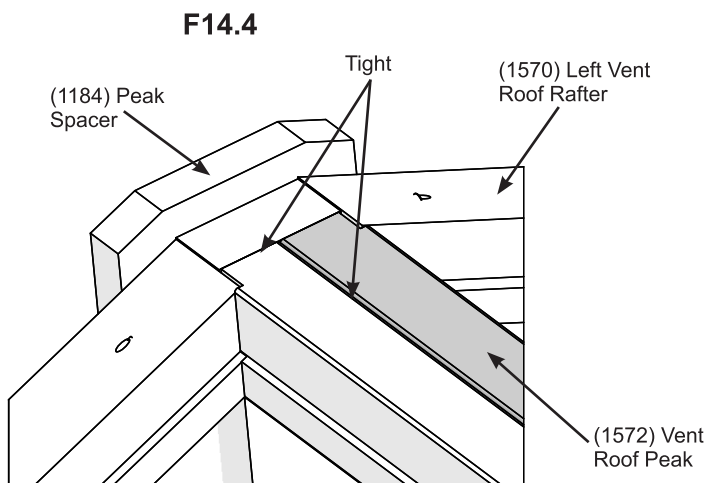
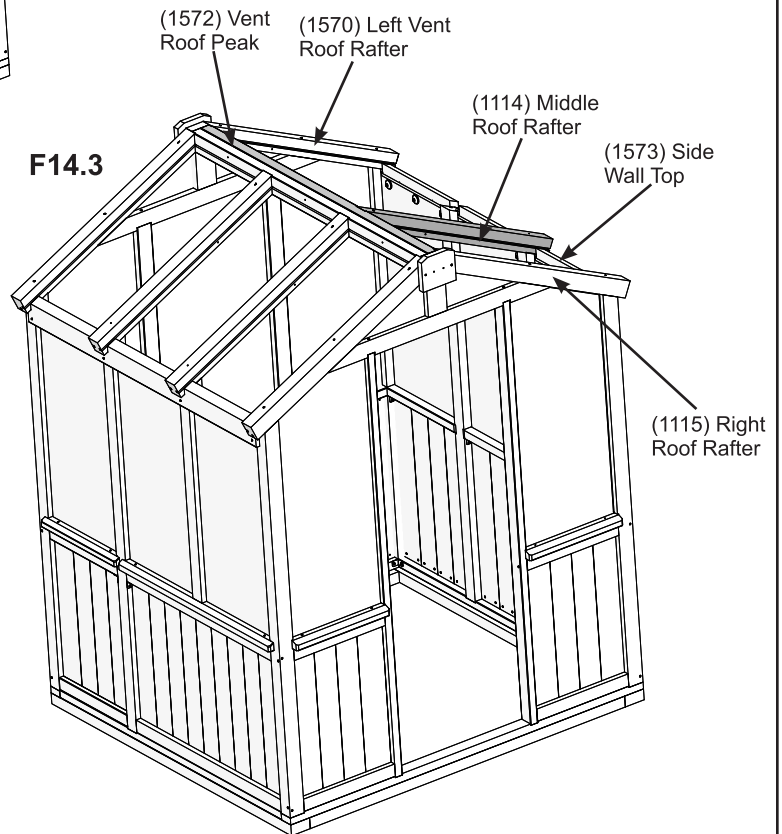
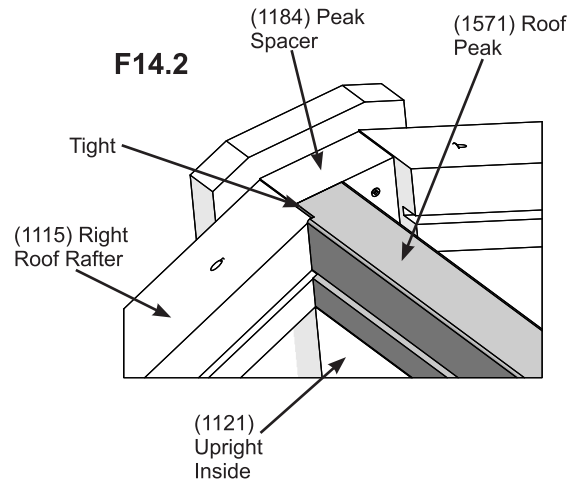
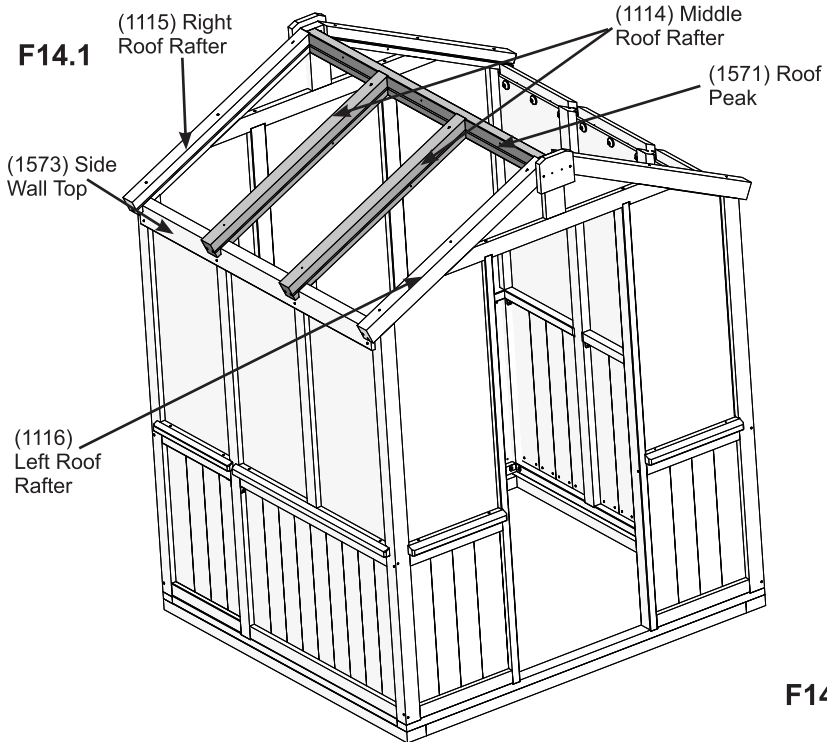
- 2 x #8 x 3" Wood Screw
- 1 x #10 x 4" Wood Screw

Step 14: Attach Roof Assemblies to Frame Part 1



A: With adult helpers lift Roof Peak Assembly over frame and place (1571) Roof Peak on (1121) Upright Insides, tight to (1184) Peak Spacer, (1115) Right Roof Rafter and (1116) Left Roof Rafter. (1114) Middle Roof Rafters sit in notches of (1573) Side Wall Top. Have one person hold assembly in place until secure. (F14.1 and F14.2)

B: Repeat Step A for Vent Roof Peak Assembly. (1572) Vent Roof Peak placed on (1121) Upright Insides, tight to (1184) Peak Spacer, (1115) Right Roof Rafter and (1570) Left Vent Roof Rafter. (F14.3 and F14.4)



Step 14: Attach Roof Assemblies to Frame Part 2

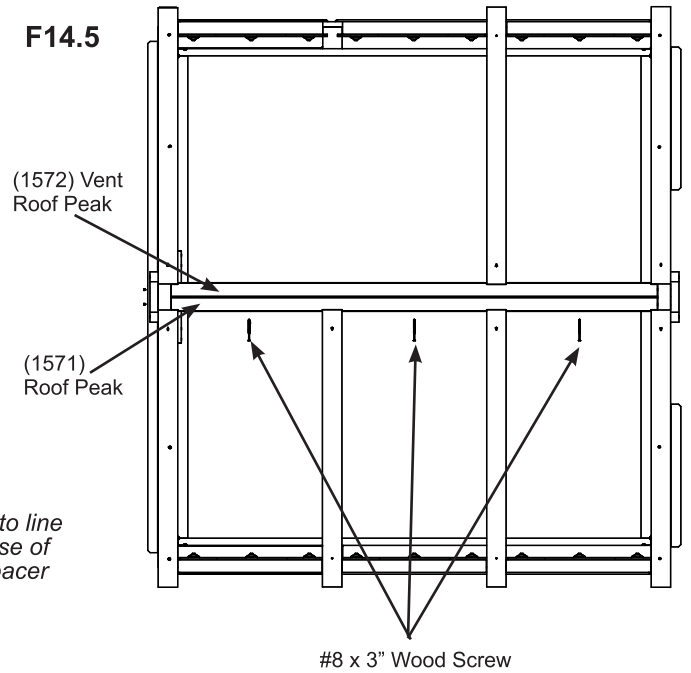


Use (1188) Guide Spacer to make sure grooves in Peak Assemblies are lined up with grooves in Rafters.

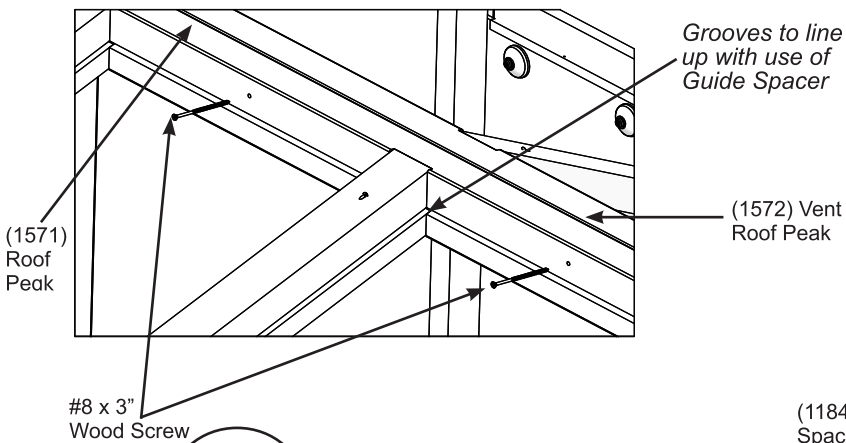
C: Secure Roof Peak Assembly to Vent Roof Peak Assembly with three #8 x 3" Wood Screws. (F14.5 and F14.6)

D: Connect each (1184) Peak Spacer to (1571) Roof Peak and (1572) Vent Roof Peak with two #10 x 4" Wood Screws per end. (F14.7 and F14.8)

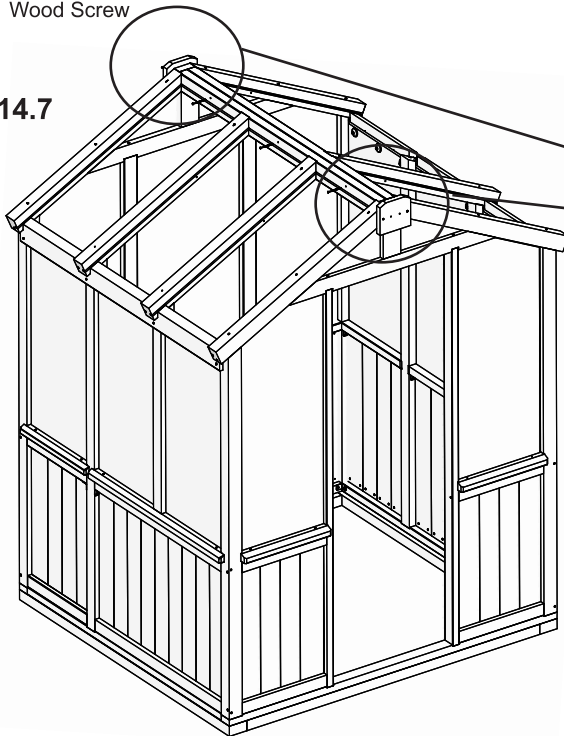
F14.5



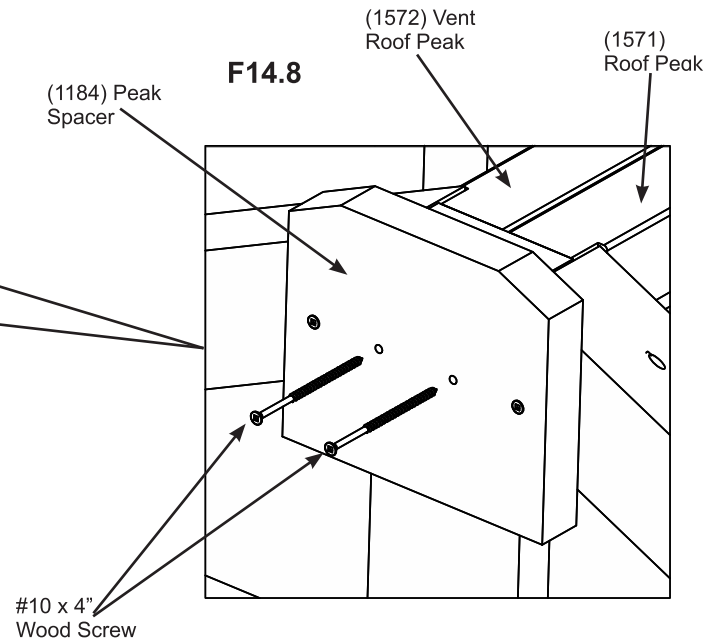
F14.6



F14.7



F14.8



Hardware

- 3 x #8 x 3" Wood Screw
- 4 x #10 x 4" Wood Screw

Step 14: Attach Roof Assemblies to Frame Part 3

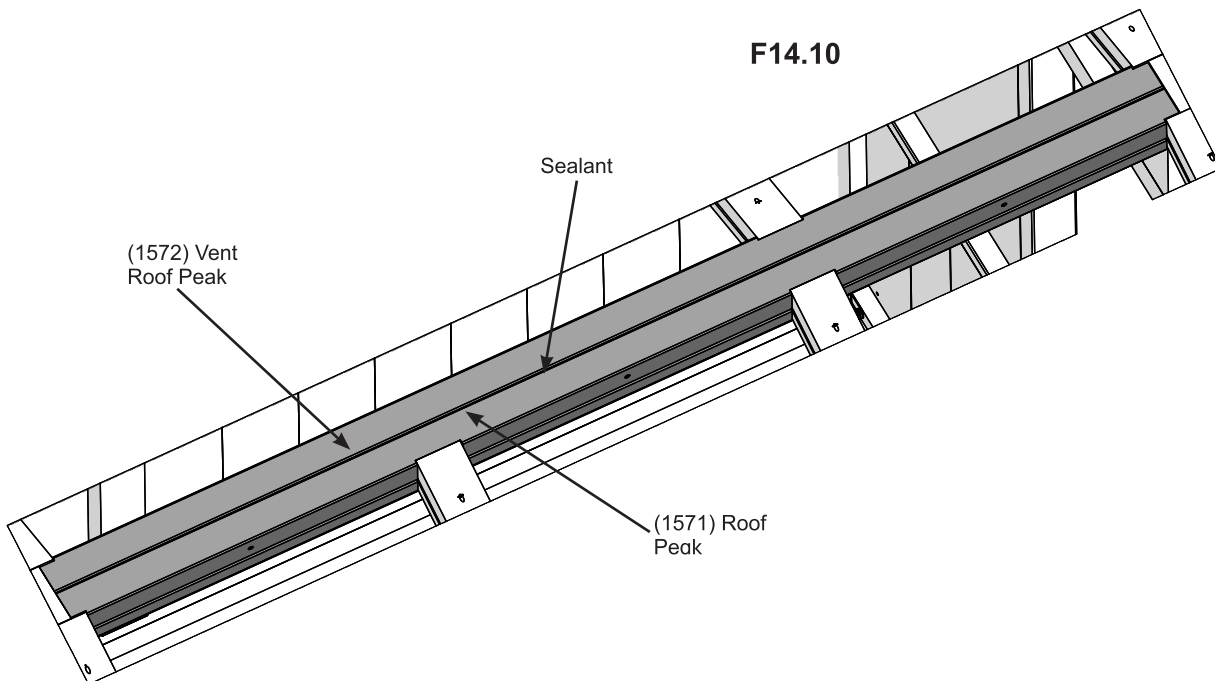
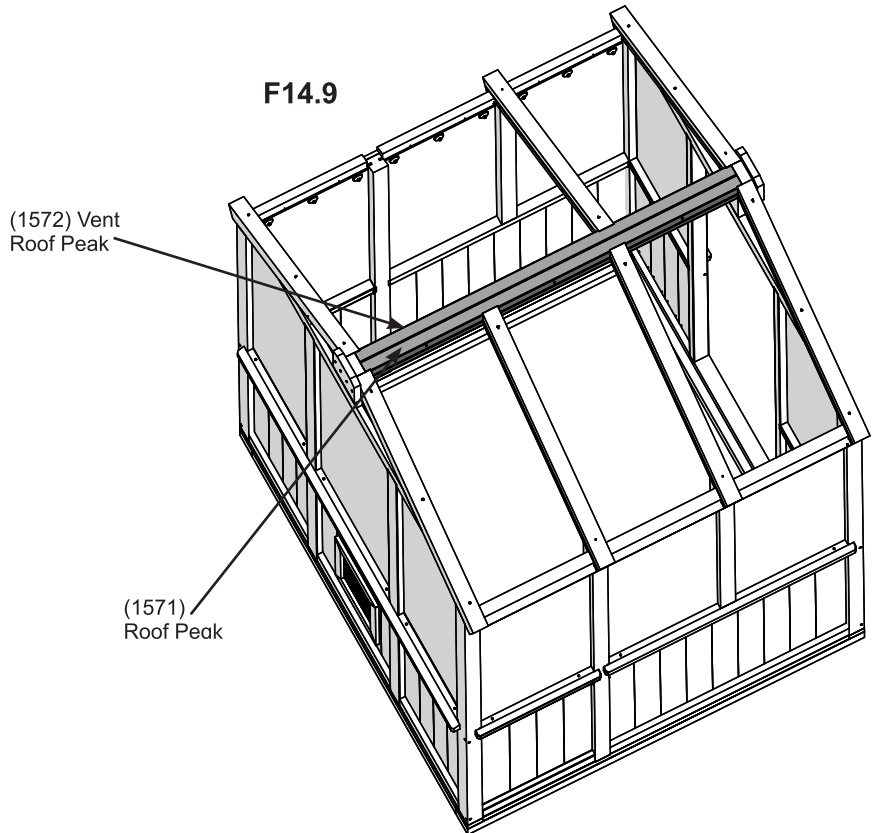


E: Apply silicone sealant at top of assembly where (1571) Roof Peak and (1572) Vent Roof Peak join. Sealant should be applied in small beads and smoothed out. (F14.9 and F14.10)

Note: All surfaces to be clean, dry, dust and grease free before application with temperatures above 5°C (41°F), no warmer than 35°C (95°F).

- Cut off tip of tube, attach supplied nozzle then put in caulking gun. See page 6.
- Apply sealant in small beads and smooth as required.
- Clean excess with a cloth or paper towel before it skins over.
- Always wear safety glasses and rubber gloves when using product.

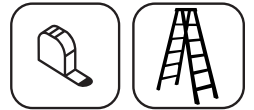
See page 6 for Warning and First Aid Information.



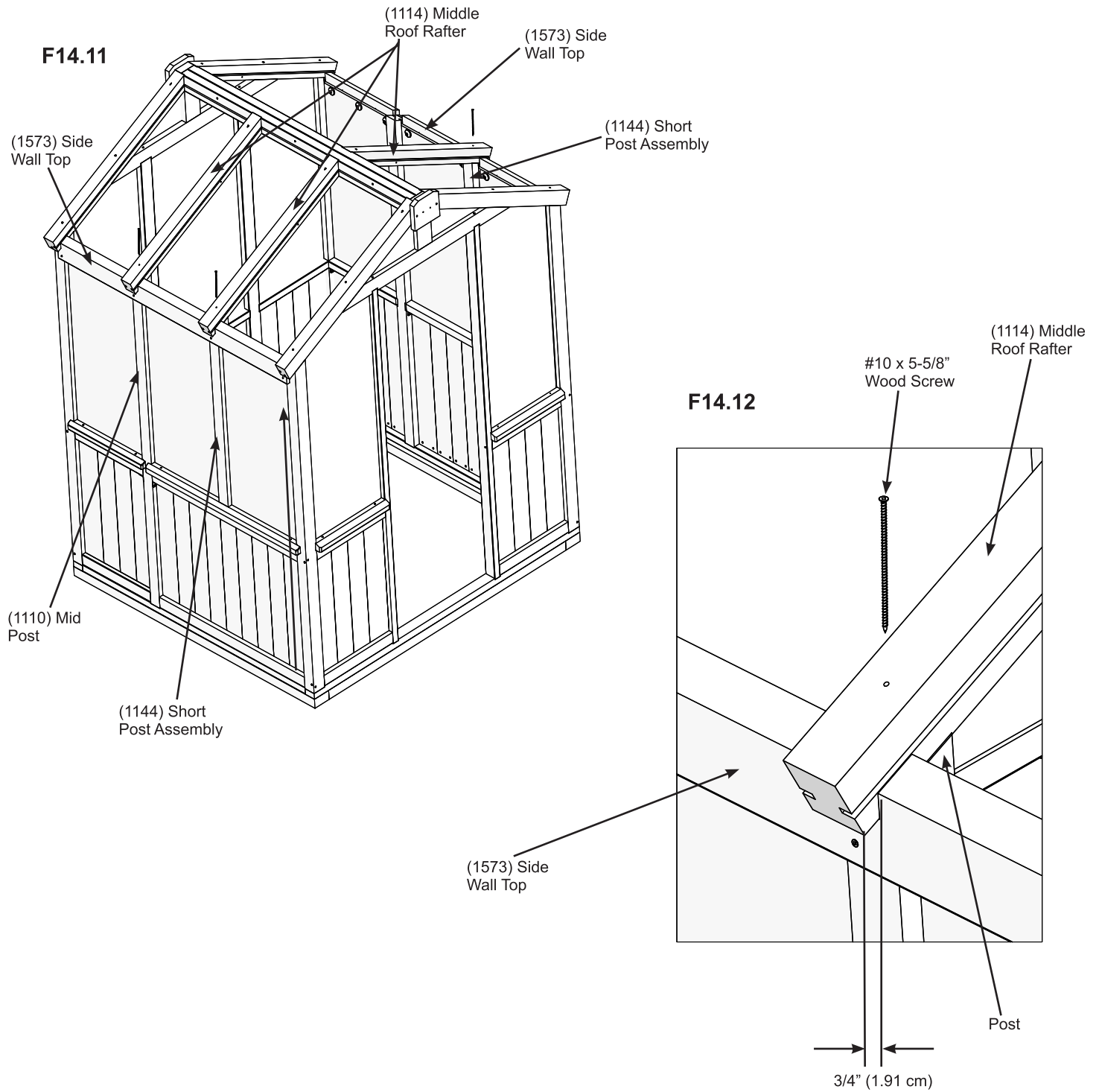
Components

Sealant

Step 14: Attach Roof Assemblies to Frame Part 4



F: Make sure each (1114) Middle Roof Rafter overhangs (1573) Side Wall Tops by 3/4" (1.91 cm). Secure (1114) Middle Roof Rafters to (1110) Mid Posts and (1144) Short Post Assemblies with one #10 x 5-5/8" Wood Screw per rafter. (F14.11 and F14.12)

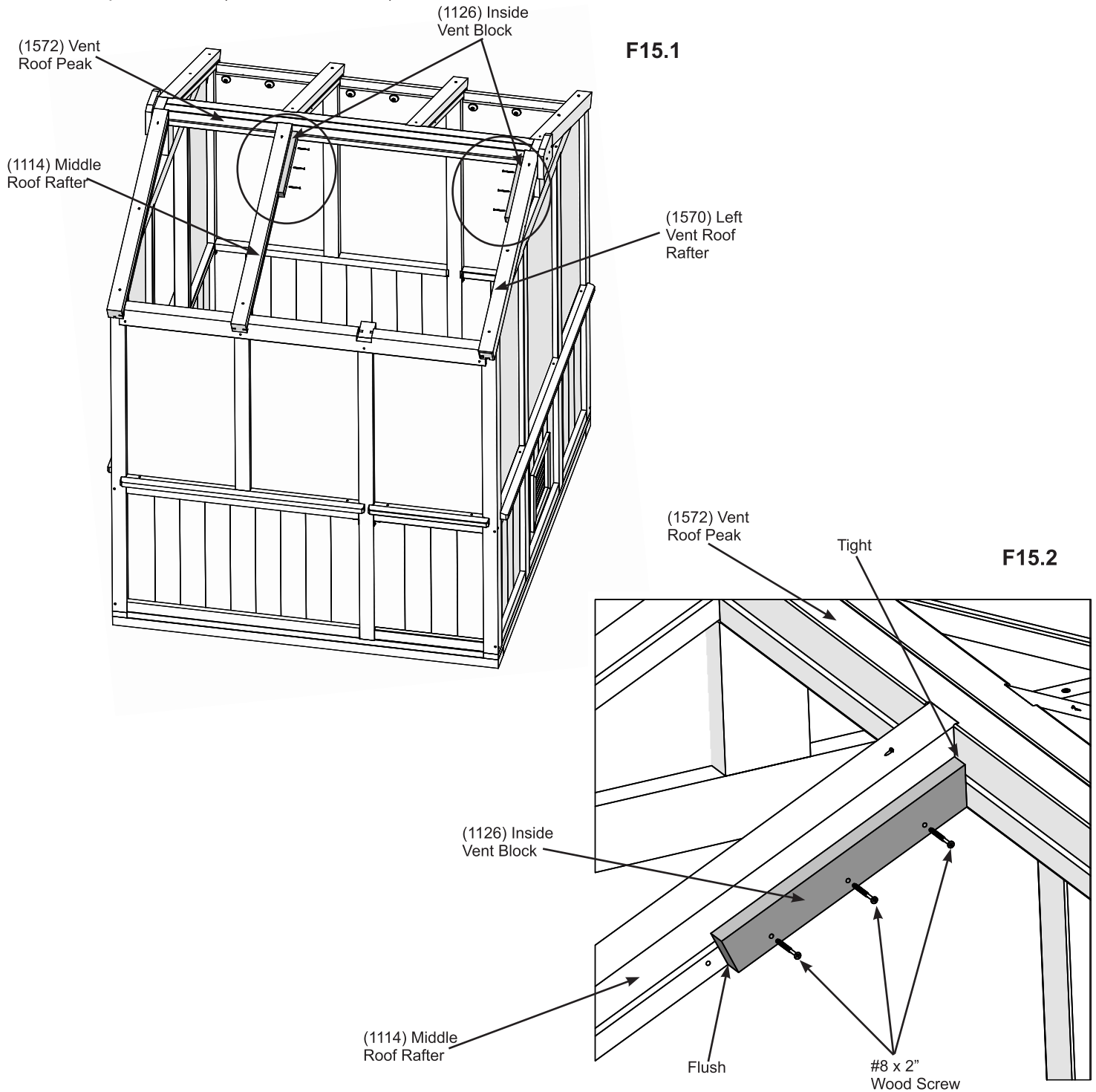


Hardware

3 x #10 x 5-5/8" Wood Screw

Step 15: Vent Roof Assembly Part 1

A: On the Vent Roof Peak Assembly, on the inside of (1114) Middle Roof Rafter and (1570) Left Vent Roof Rafter place one (1126) Inside Vent Block with angled end tight to the bottom of (1572) Vent Roof Peak and sides flush to the bottom of each rafter. Attach (1126) Inside Vent Block to rafters with three #8 x 2" Wood Screws per block. (F15.1 and F15.2)



Wood Parts

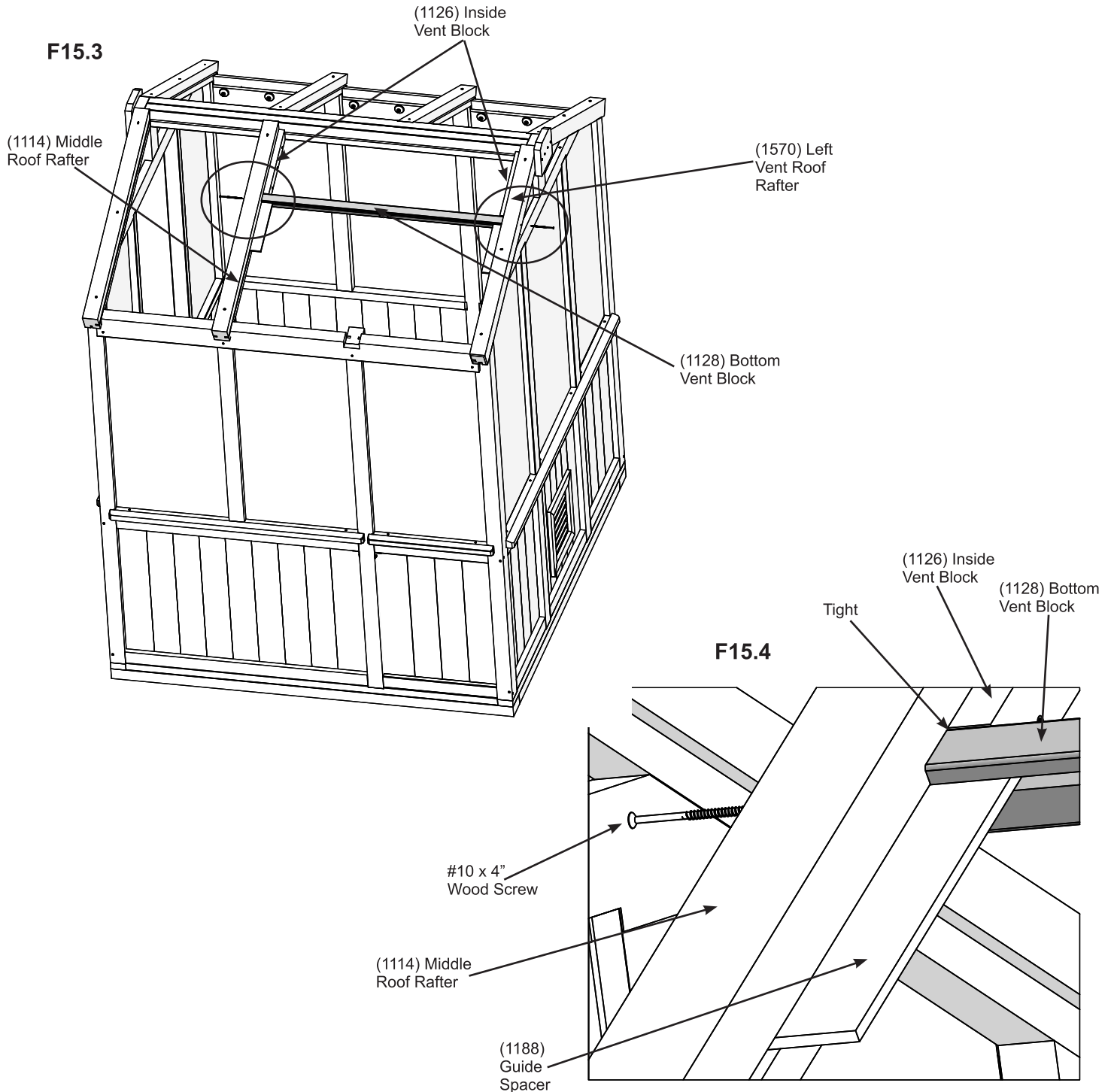
2 x (1126) Inside Vent Block

Hardware

6 x #8 x 2" Wood Screw

Step 15: Vent Roof Assembly Part 2

B: Tight to the bottom of (1126) Inside Vent Blocks, with grooves facing down, place (1128) Bottom Vent Block. Use (1188) Guide Spacers in grooves of (1114) Middle Roof Rafter, (1570) Left Vent Roof Rafter and (1128) Bottom Vent Block for accurate positioning then attach rafters to block with one #10 x 4" Wood Screw per rafter. Remove (1188) Guide Spacers. (F15.3 and F15.4)



Wood Parts

1 x (1128) Bottom Vent Block

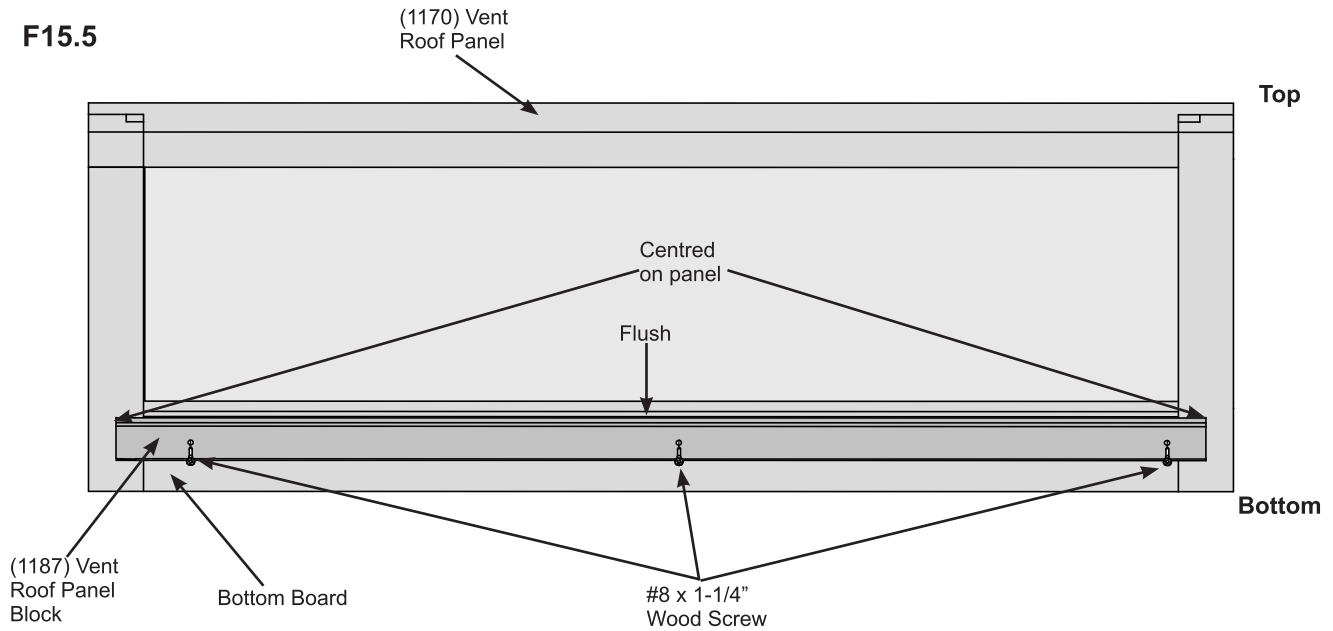
Hardware

2 x #10 x 4" Wood Screw

Step 15: Vent Roof Assembly Part 3

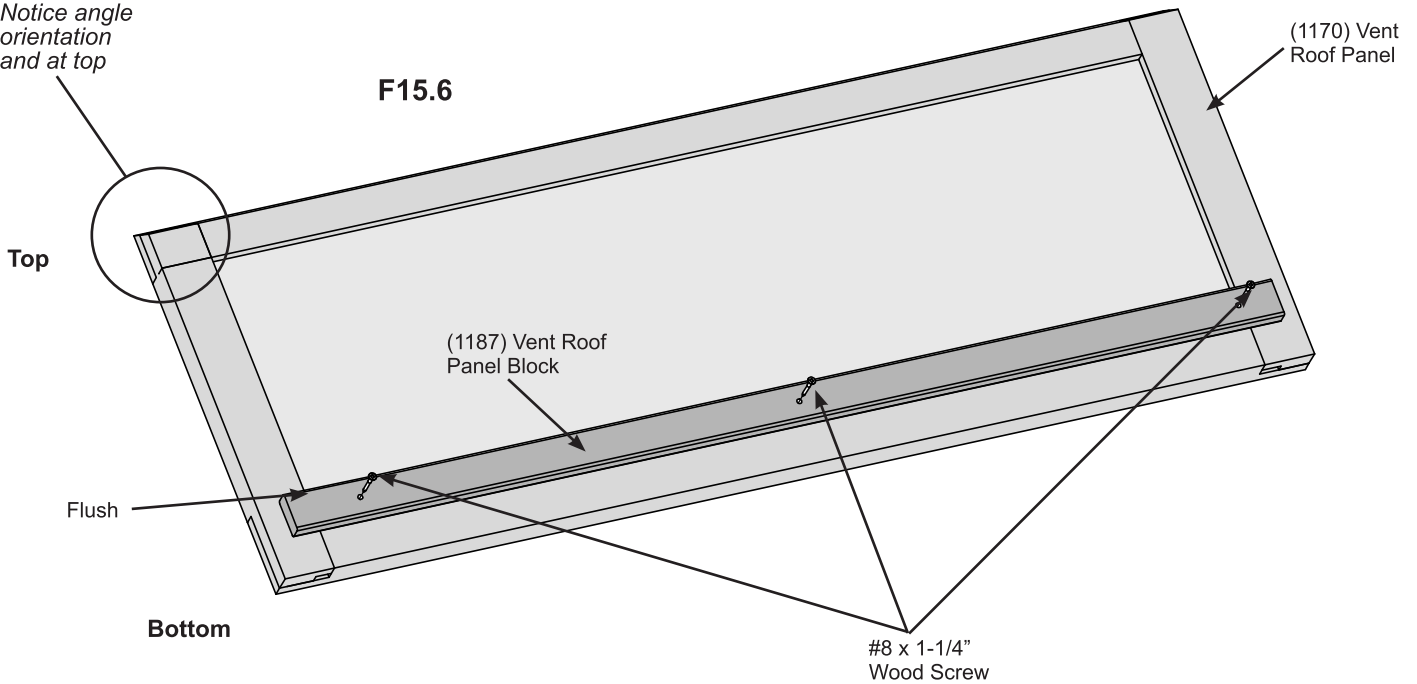
C: On the bottom of the (1170) Vent Roof Panel, flush to the bottom board and centred on the panel, attach (1187) Vent Roof Panel Block with three #8 x 1-1/4" Wood Screws. (F15.5 and F15.6)

F15.5



Notice angle orientation and at top

F15.6



Wood Parts

- 1 x (1170) Vent Roof Panel
- 1 x (1187) Vent Roof Panel Block

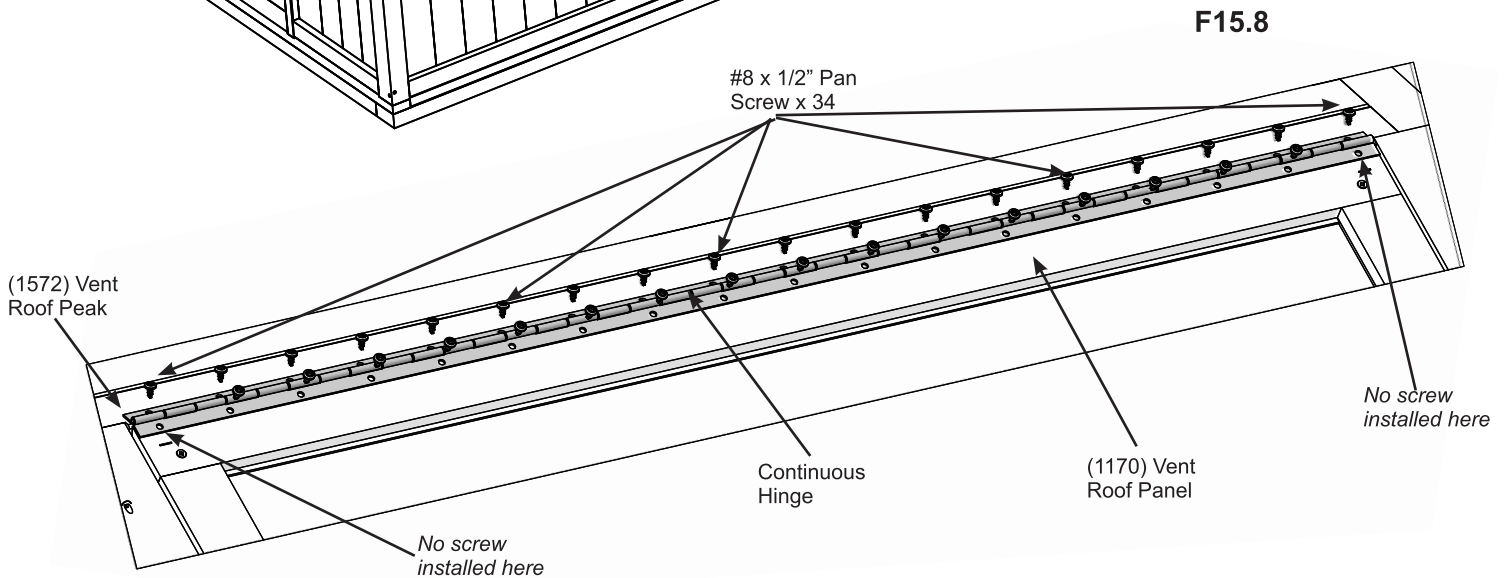
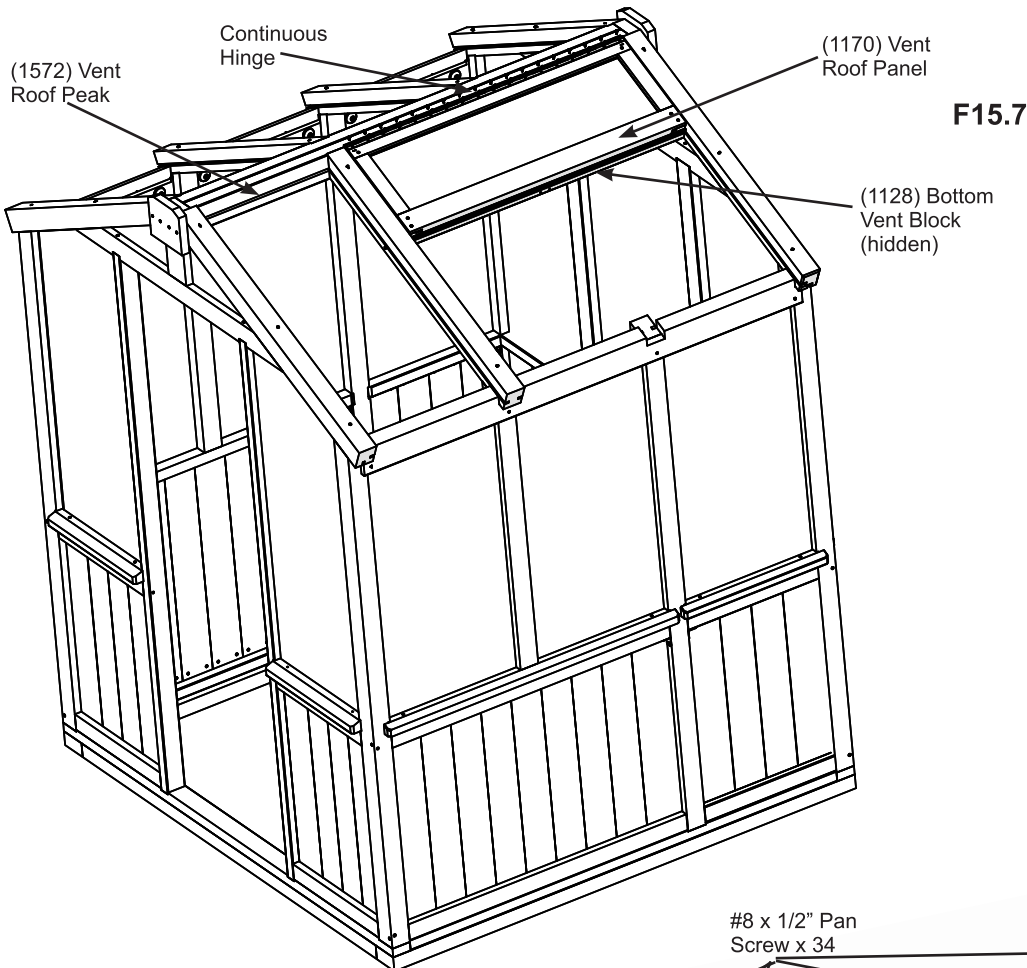
Hardware

- 3 x #8 x 1-1/4" Wood Screw

Step 15: Vent Roof Assembly Part 4

D: Place (1170) Vent Roof Panel, with angled edge on top, over (1126) Inside Vent Blocks and (1128) Bottom Vent Block and tight to (1572) Vent Roof Peak. (1187) Vent Roof Panel Block faces down. (F15.7)

E: Place Continuous Hinge on (1572) Vent Roof Peak and (1170) Vent Roof Panel and attach with 34 #8 x 1/2" Pan Screws. Do not install screws at the end of the hinge on (1170) Vent Roof Panel. (F15.7 and F15.8)



Components

1 x Continuous Hinge

Hardware

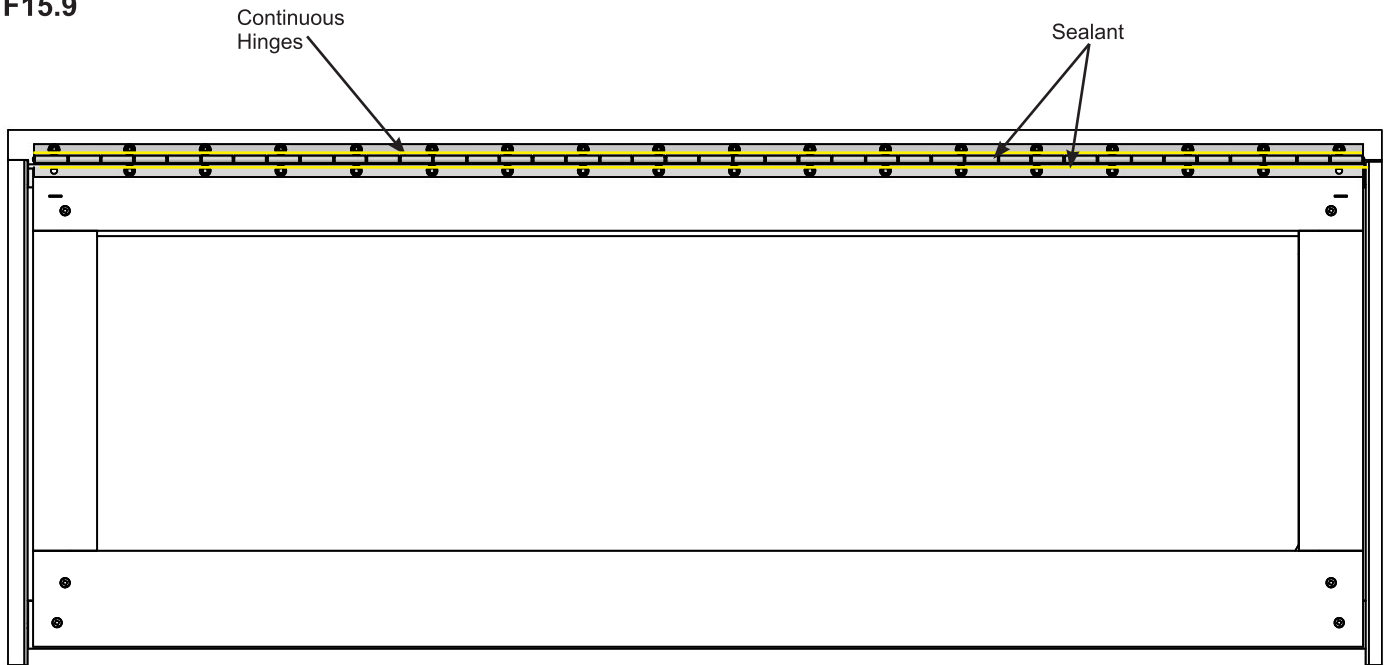
34 x #8 x 1/2" Pan Screw

Step 15: Vent Roof Assembly

Part 5

F: Apply silicone caulking on the top of the Continuous Hinge so the silicone completely covers the pivot joints. (F15.9)

F15.9



Note: All surfaces to be clean, dry, dust and grease free before application with temperatures above 5°C (41°F), no warmer than 35°C (95°F).

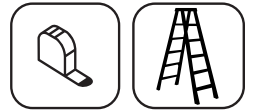
- Cut off tip of tube, attach supplied nozzle then put in caulking gun. See page 6.
- Apply sealant in small beads and smooth as required.
- Clean excess with a cloth or paper towel before it skins over.
- Always wear safety glasses and rubber gloves when using product.

See page 6 for Warning and First Aid Information.

Components

Sealant

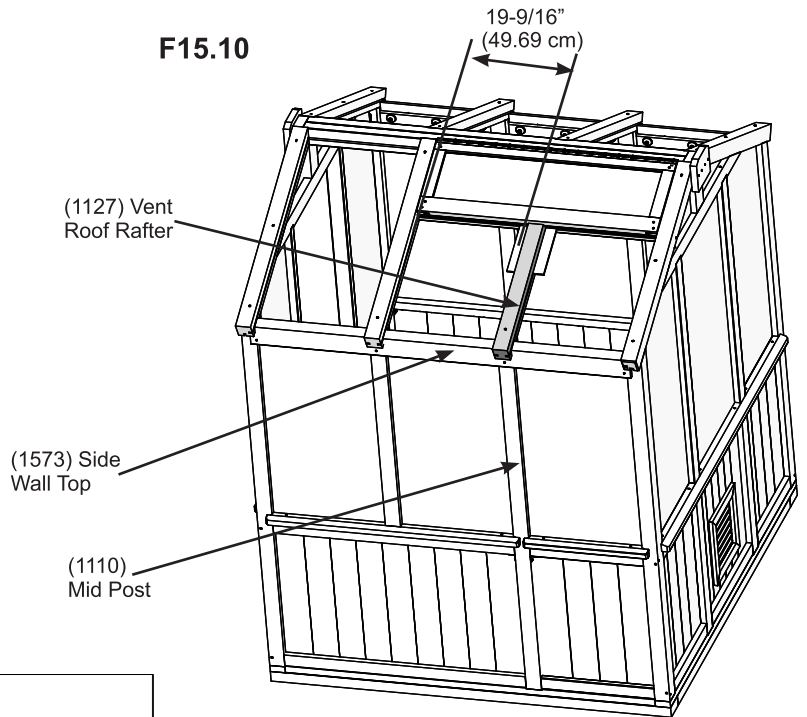
Step 15: Vent Roof Assembly Part 6



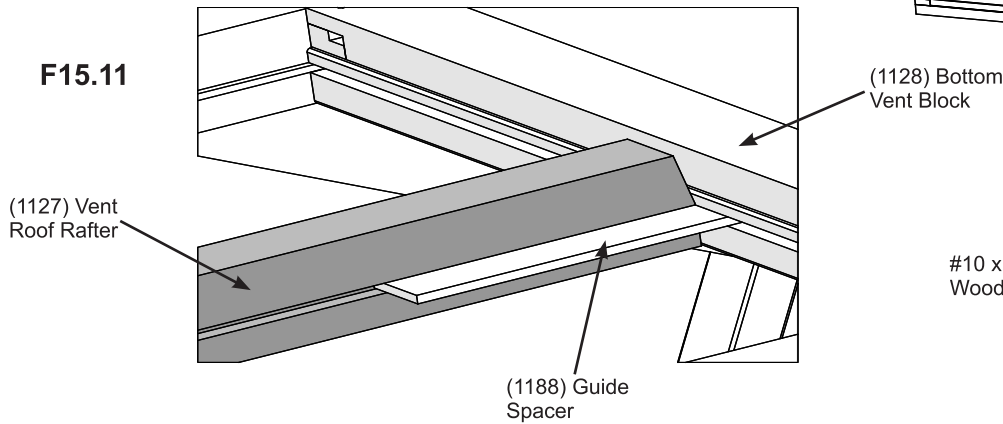
G: Place (1127) Vent Roof Rafter tight to (1128) Bottom Vent Block so it fits in the remaining notch of (1573) Side Wall Top. Use (1188) Guide Spacers in grooves of (1128) Bottom Vent Block and (1127) Vent Roof Rafter for accurate positioning then attach (1128) Bottom Vent Block to (1127) Vent Roof Rafter with two #8 x 3" Wood Screws. Remove (1188) Guide Spacers. The distance between rafters will be 19-9/16" (49.69 cm). (F15.10, F15.11 and F15.12)

H: Make sure (1127) Vent Roof Rafter overhangs (1573) Side Wall Top by 3/4" (1.91 cm) then attach to (1110) Mid Posts with one #10 x 5-5/8" Wood Screw. (F15.10 and F15.13)

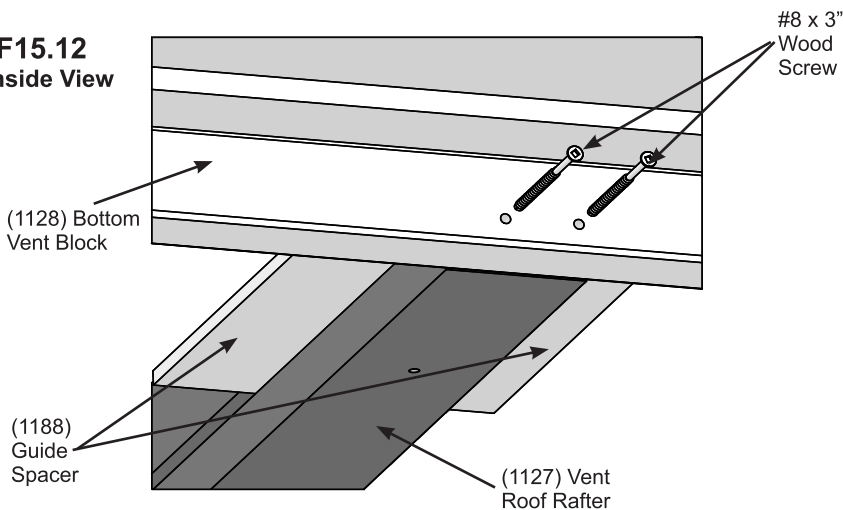
F15.10



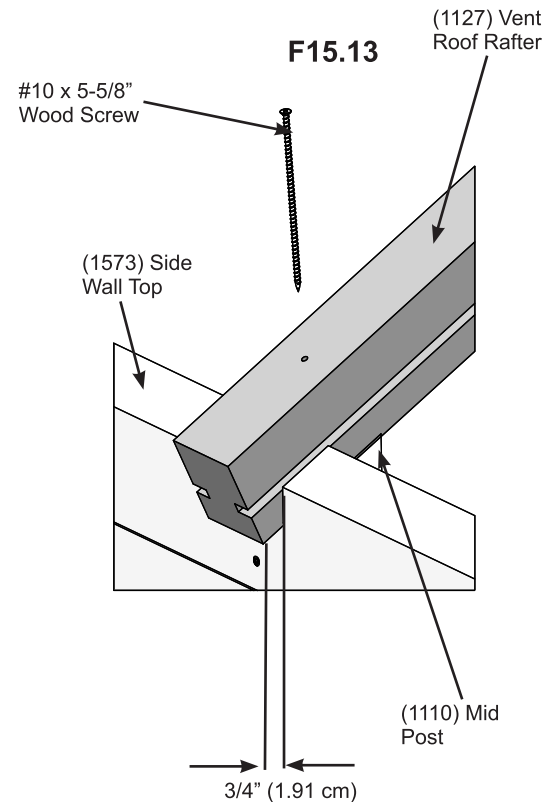
F15.11



F15.12
Inside View



F15.13



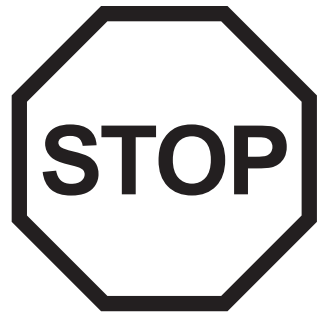
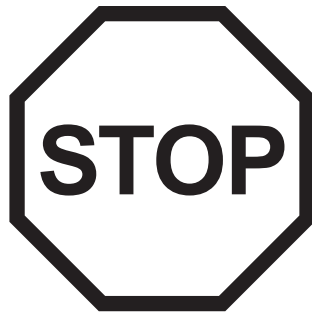
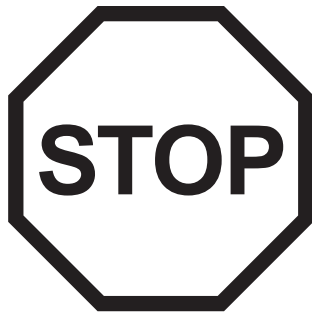
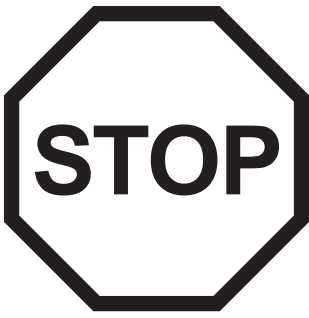
Wood Parts

1 x (1127) Vent Roof Rafter

Hardware

2 x #8 x 3" Wood Screw

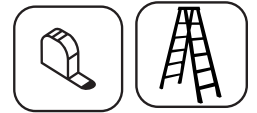
1 x #10 x 5-5/8" Wood Screw



IMPORTANT! SINGLE SPRING WINDOW OPENER INFORMATION

- **The Aluminum Single Spring Window Opener is designed to automatically open and close with changes in temperature. It must not be opened or closed manually. Doing so will result in damage to the component.**
- To change the opening temperature of the component:
 - One complete clockwise turn of the black cylinder will increase the opening temperature of the component by $0.5^{\circ}\text{C}/1^{\circ}\text{F}$
 - One counterclockwise turn will decrease the opening temperature of the component by $0.5^{\circ}\text{C}/1^{\circ}\text{F}$
- The opening temperature of this component can be set to open in temperatures between $16^{\circ}\text{C}/60^{\circ}\text{F}$ and $25^{\circ}\text{C}/77^{\circ}\text{F}$
- The black cylinder is the temperature sensitive component. This should never be used as a pry to manually open or close the vent.
- The cylinder must be in the closed position before it can be removed from the component. To remove the cylinder, remove the pin and unscrew the cylinder.

Step 16: Attach Single Spring Window Opener



Part 1

A: Reference the manufacturer's supplied instruction for assembling the Single Spring Window Opener.

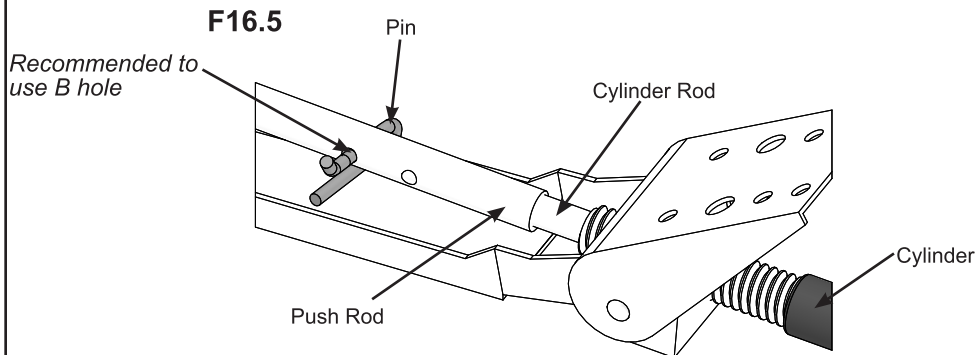
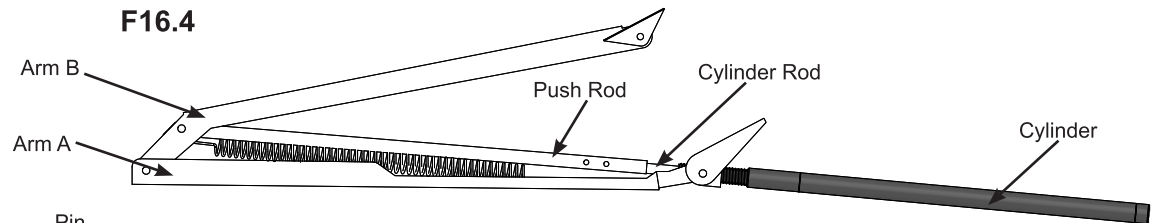
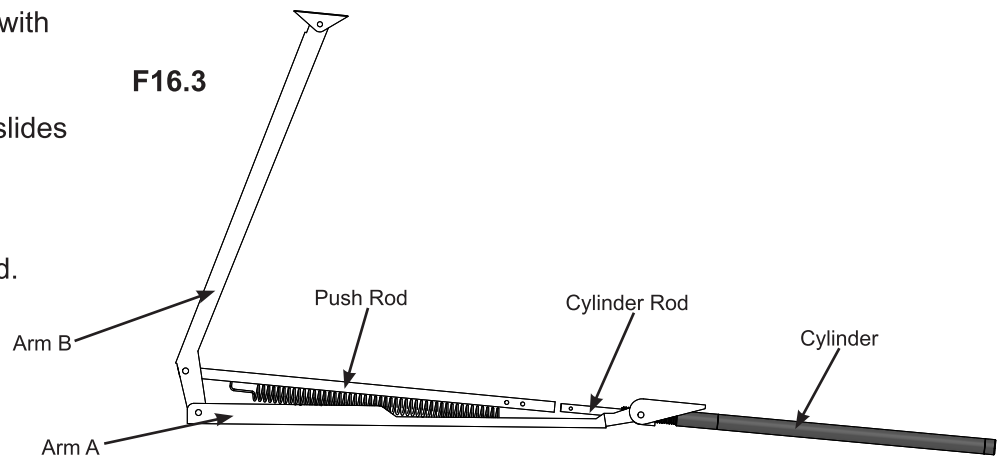
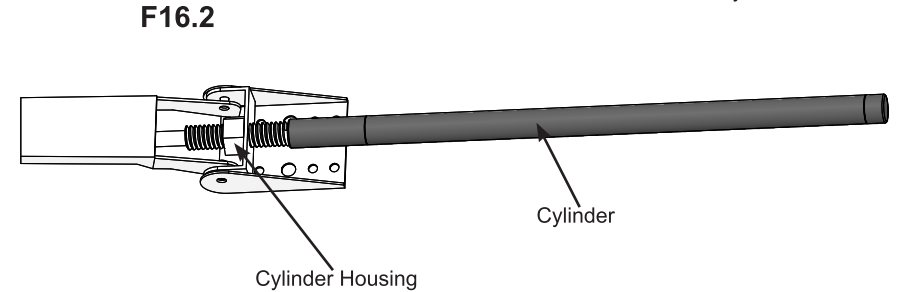
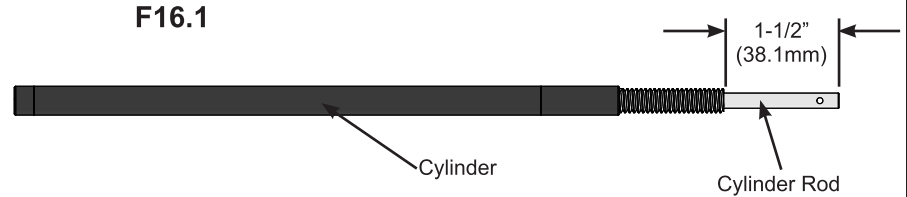
B: The Black Cylinder MUST be in the closed position prior to assembly. To close the cylinder, place it in the refrigerator for 5-7 minutes. After removing from the refrigerator push the Cylinder Rod so it is past the threads 1-1/2" (38.1m). (F16.1)

C: With the cylinder in the closed position screw the Cylinder into the Cylinder Housing halfway. (F16.2)

D: Lift Arm B so the Push Rod aligns with the Cylinder Rod. (F16.3)

E: Lower Arm B so the Cylinder Rod slides into the Push Rod and the holes align. (F16.4)

F: Insert pin in B hole of the Push Rod. (F16.5)



Components

1 x Single Spring Window Opener

Step 16: Attach Single Spring Window Opener

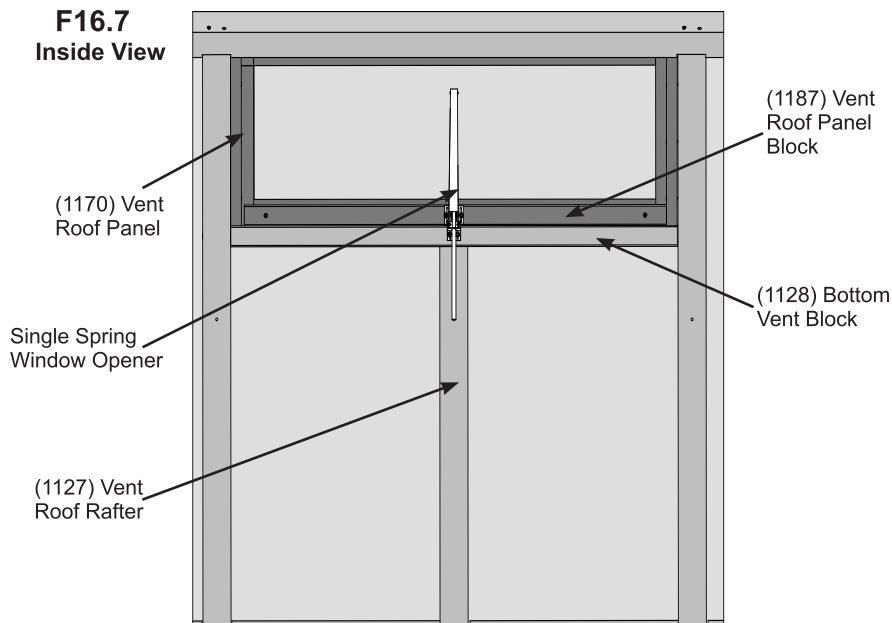


Part 2

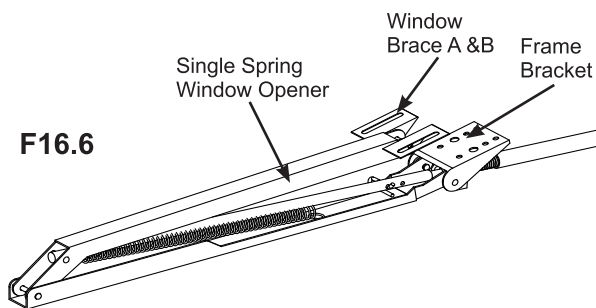
G: From inside the assembly, centre Single Spring Window Opener on (1170) Vent Roof Panel so it is aligned with (1127) Vent Roof Rafter. Attach Window Brace A & B to (1187) Vent Roof Panel Block and Frame Bracket to (1128) Bottom Vent Block with two #10 x 1-1/4" Pan Screws per brace. Braces should be in alignment. (F16.6, F16.7, F16.8 and F16.9)

H: The Aluminum Single Spring Window Opener is designed to automatically open and close with changes in temperature. **It must not be opened or closed manually. Doing so will result in damage to the component**

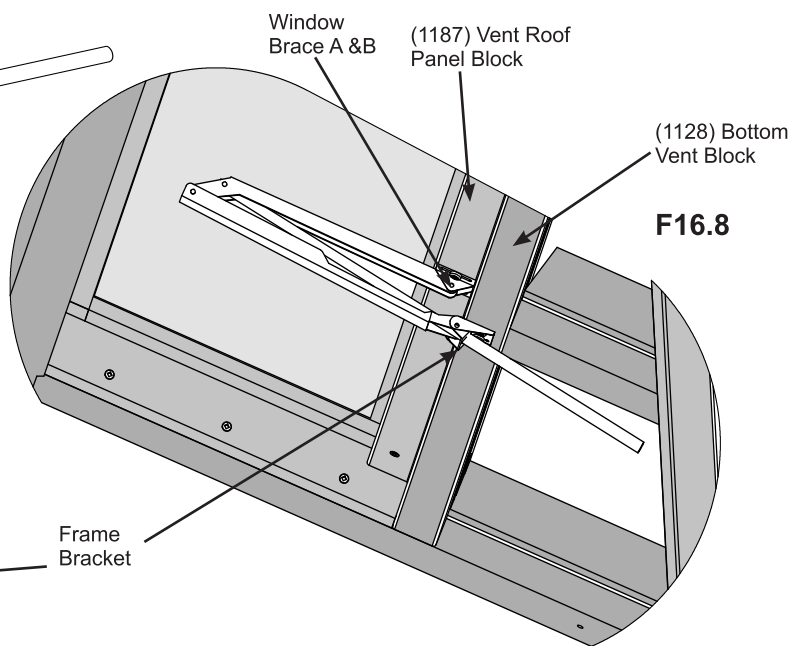
F16.7
Inside View



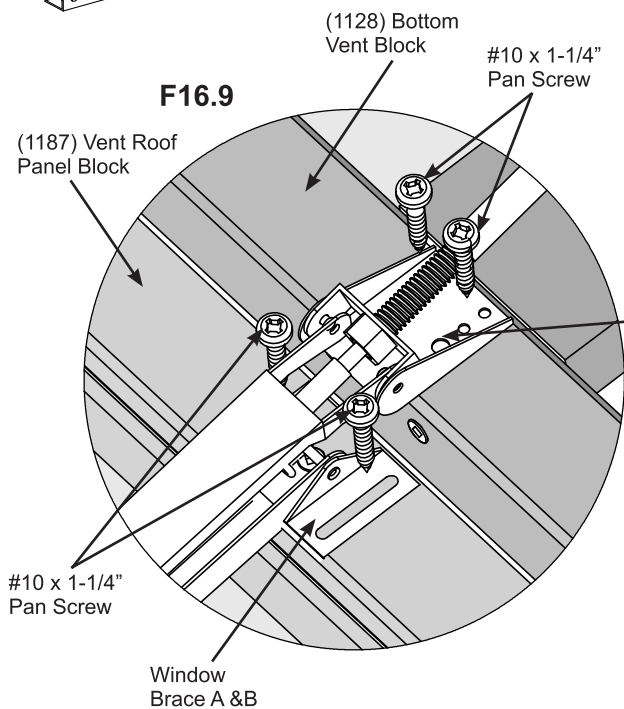
F16.6



F16.8



F16.9



Hardware

4 x #10 x 1-1/4" Pan Screw

Step 17: Install Roof Panels Part 1

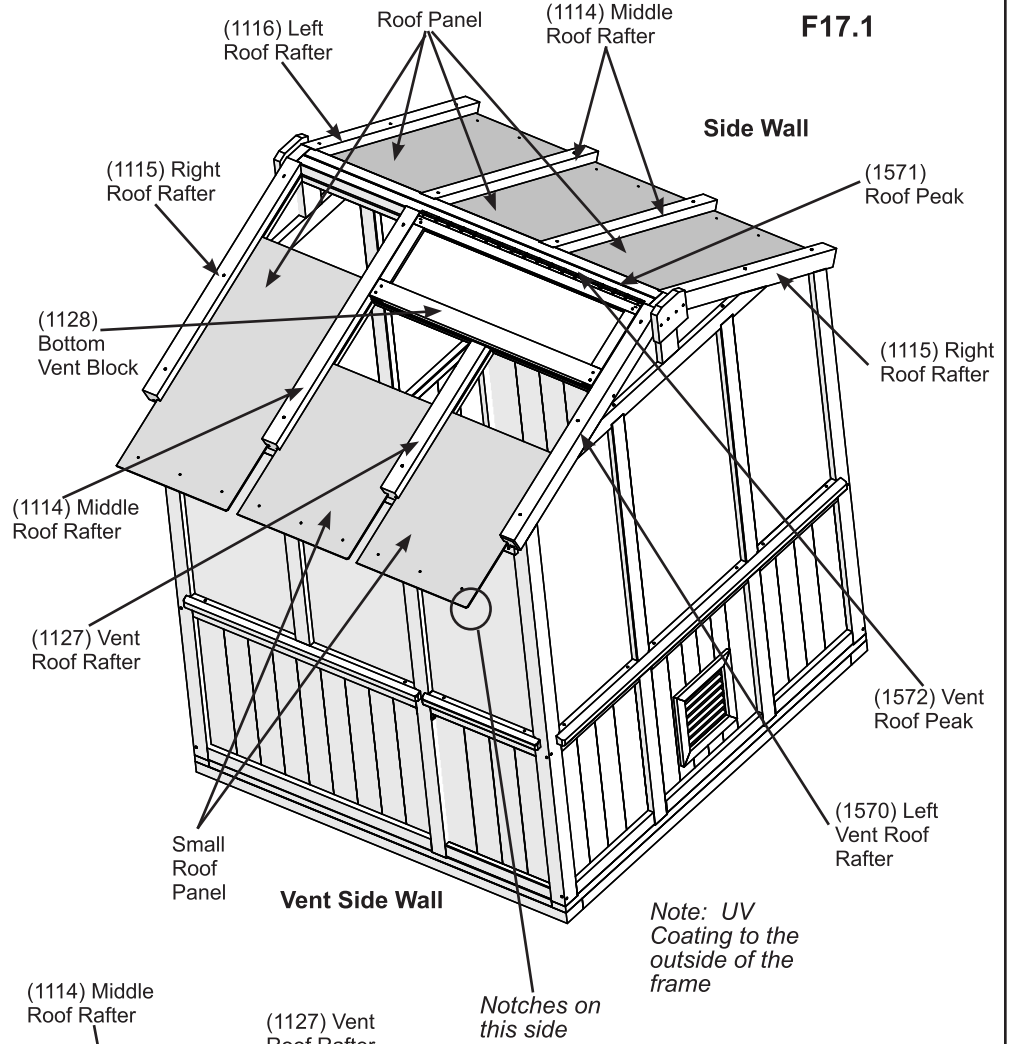


Remove film from both sides of Roof Panels and Small Roof Panels.

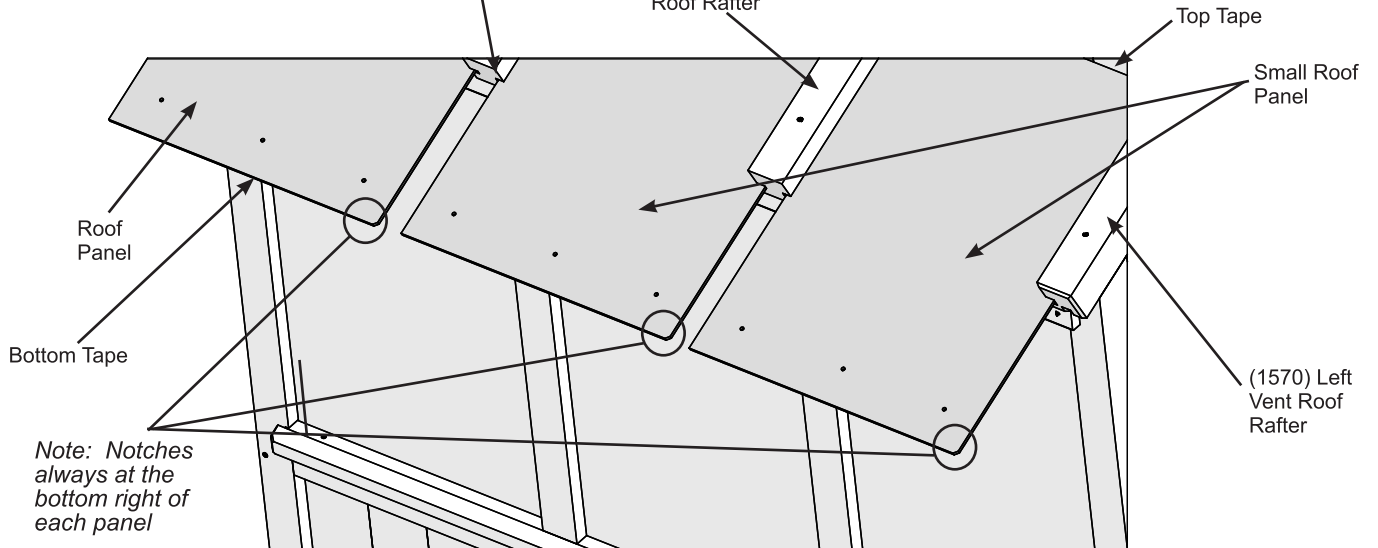
A: Refer to pages 16 and 17 and apply top and bottom tape to Roof Panels and Small Roof Panels.

B: On the Side Wall side, in the grooves of Left and Right Roof Rafters and Middle Roof Rafters slide three Roof Panels up to fit in the grooves of (1571) Roof Peak. Make sure the notch at the bottom is always on the right side of the panel. Holes are at the bottom of the panels. The UV coated side must be to the outside of the Assembly. (F17.1)

C: On the Vent Side Wall side, in the grooves of Left Vent, Right, Middle and Vent Roof Rafters slide one Roof Panel and two Small Roof Panels up to fit in the grooves of (1572) Vent Roof Peak and (1128) Bottom Vent Block. Make sure the notch at the bottom is always on the right side of the panel. Holes are at the bottom of the panels. The UV coated side must be to the outside of the Assembly. (F17.1 and F17.2)



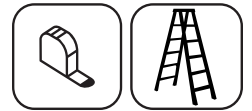
F17.2



Components

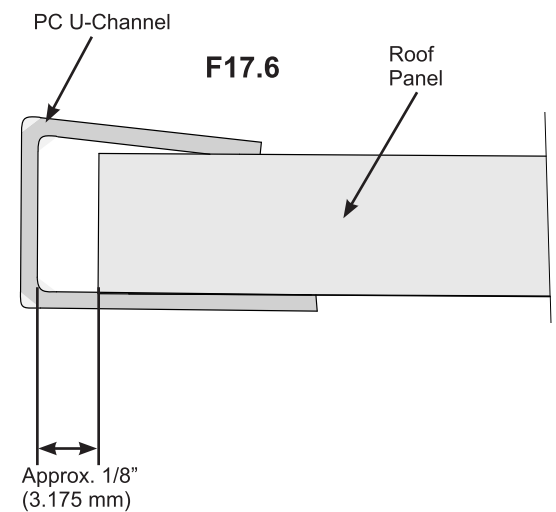
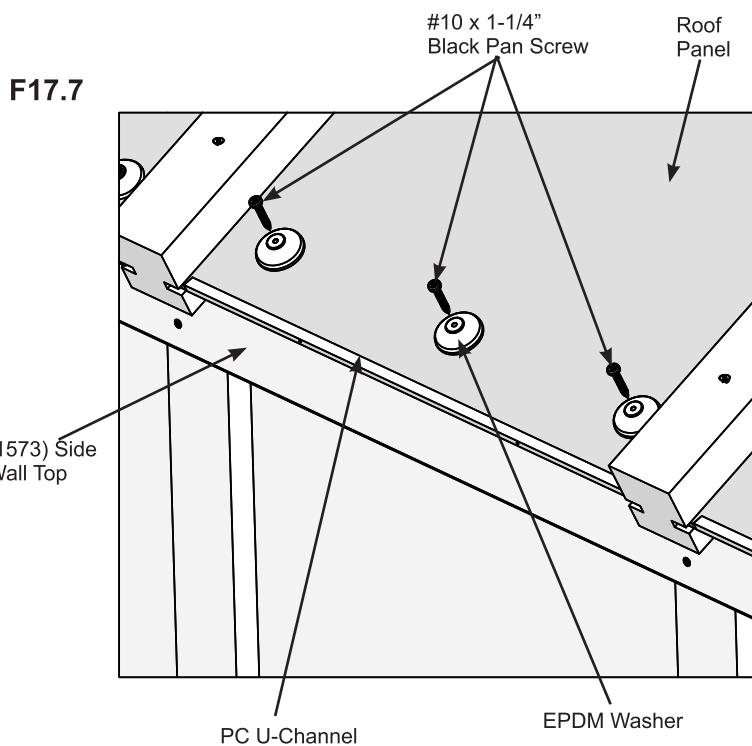
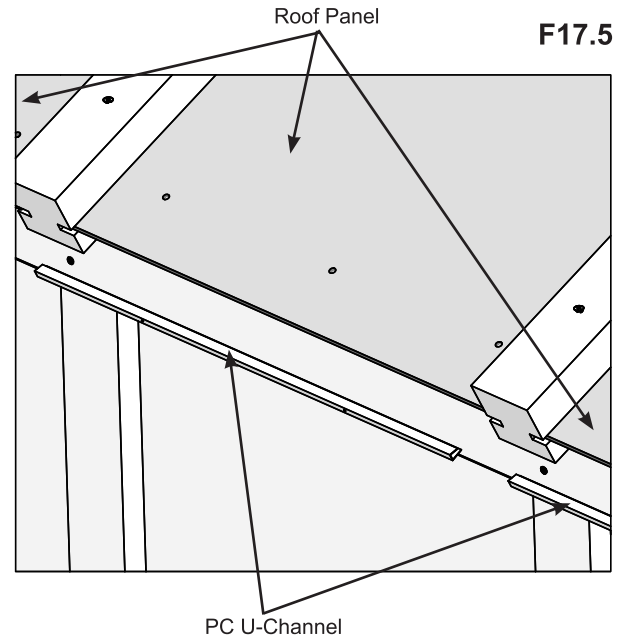
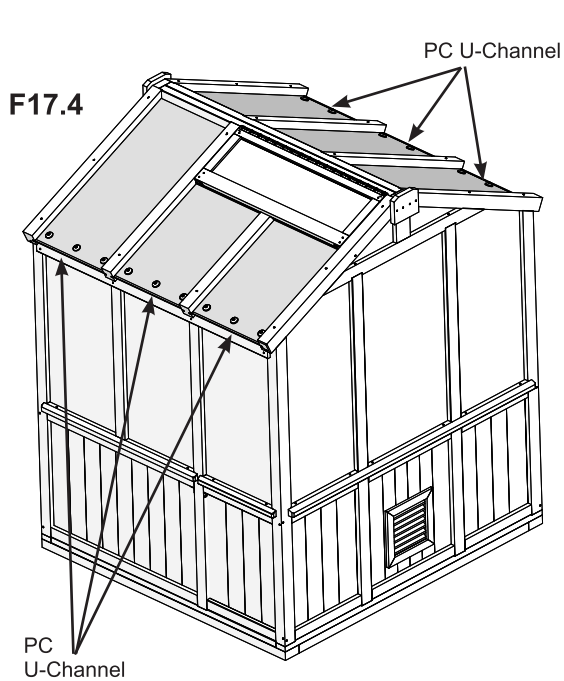
- 4 x Roof Panel
- 2 x Small Roof Panel
- Top Tape
- Bottom Tape

Step 17: Install Roof Panels Part 2



D: On the bottom of each Roof Panel and Small Roof Panel place one PC U-Channel with a gap of approximately 1/8" (3.175 mm) between end of Roof Panel and PC U-Channel. (F17.4, F17.5 and F17.6)

E: Attach bottom of each Roof Panel and Small Roof Panel to (1573) Side Wall Tops using three #10 x 1-1/4" Black Pan Screws with EPDM washers per panel. (F17.7)



Components

6 x PC U-Channel

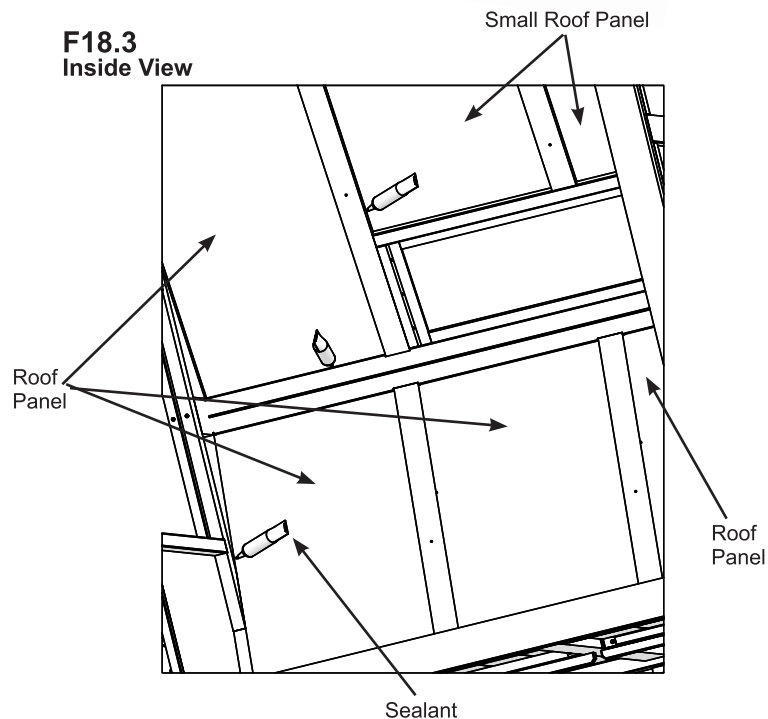
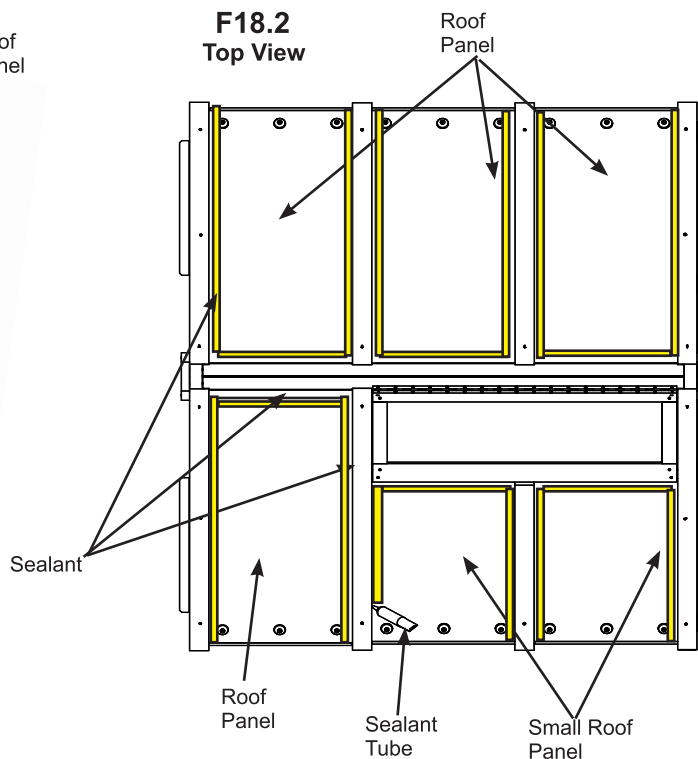
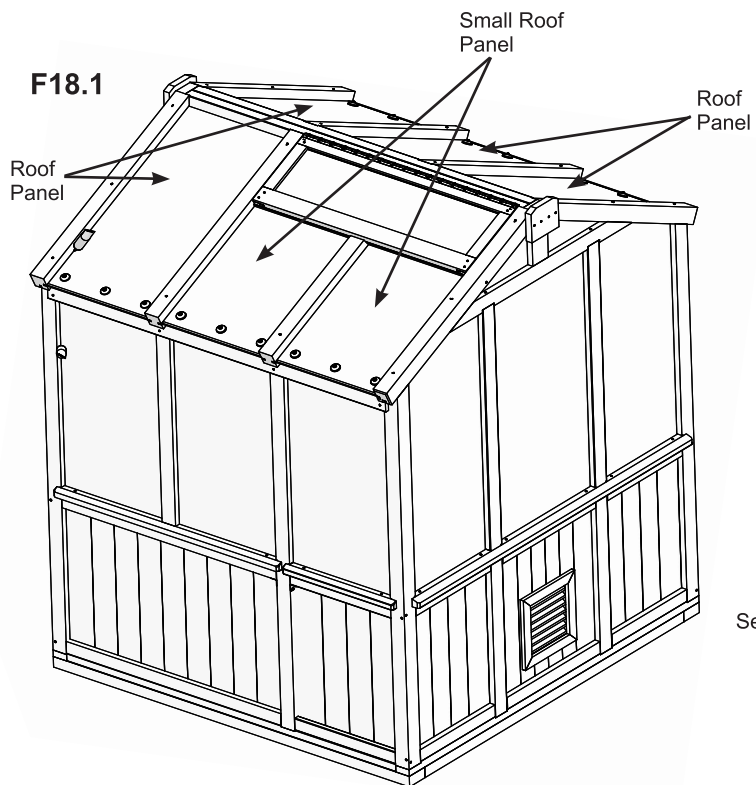
Hardware

18 x #10 x 1-1/4" Black Pan Screw
18 x EPDM Washer

Step 18: Apply Sealant Part 1



A: On both the inside and outside of the assembly apply silicone sealant on three sides of each Roof Panel and Small Roof Panel as shown in F18.3. Sealant should be applied in small beads and smoothed out. (F18.1, F18.2 and F18.3)



Note: All surfaces to be clean, dry, dust and grease free before application with temperatures above 5°C (41°F), no warmer than 35°C (95°F).

- Cut off tip of tube, attach supplied nozzle then put in caulking gun. See page 6.
- Apply sealant in small beads and smooth as required.
- Clean excess with a cloth or paper towel before it skins over.
- Always wear safety glasses and rubber gloves when using product.

See page 6 for Warning and First Aid Information.

Components

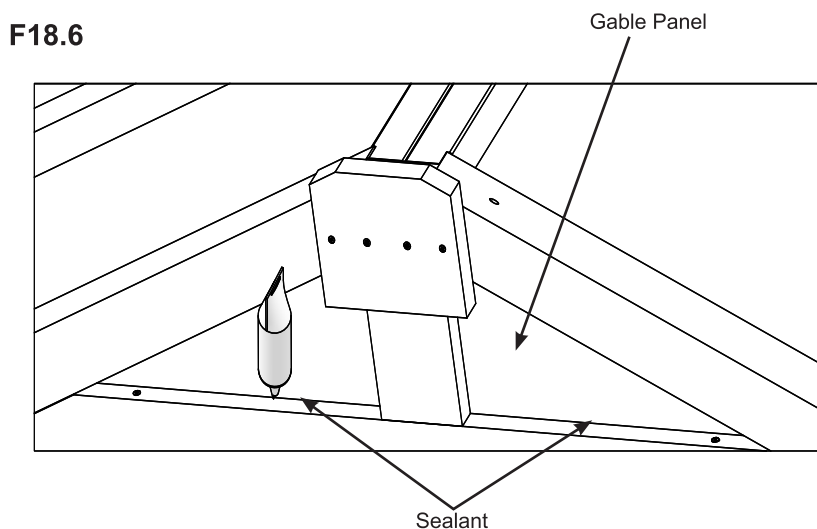
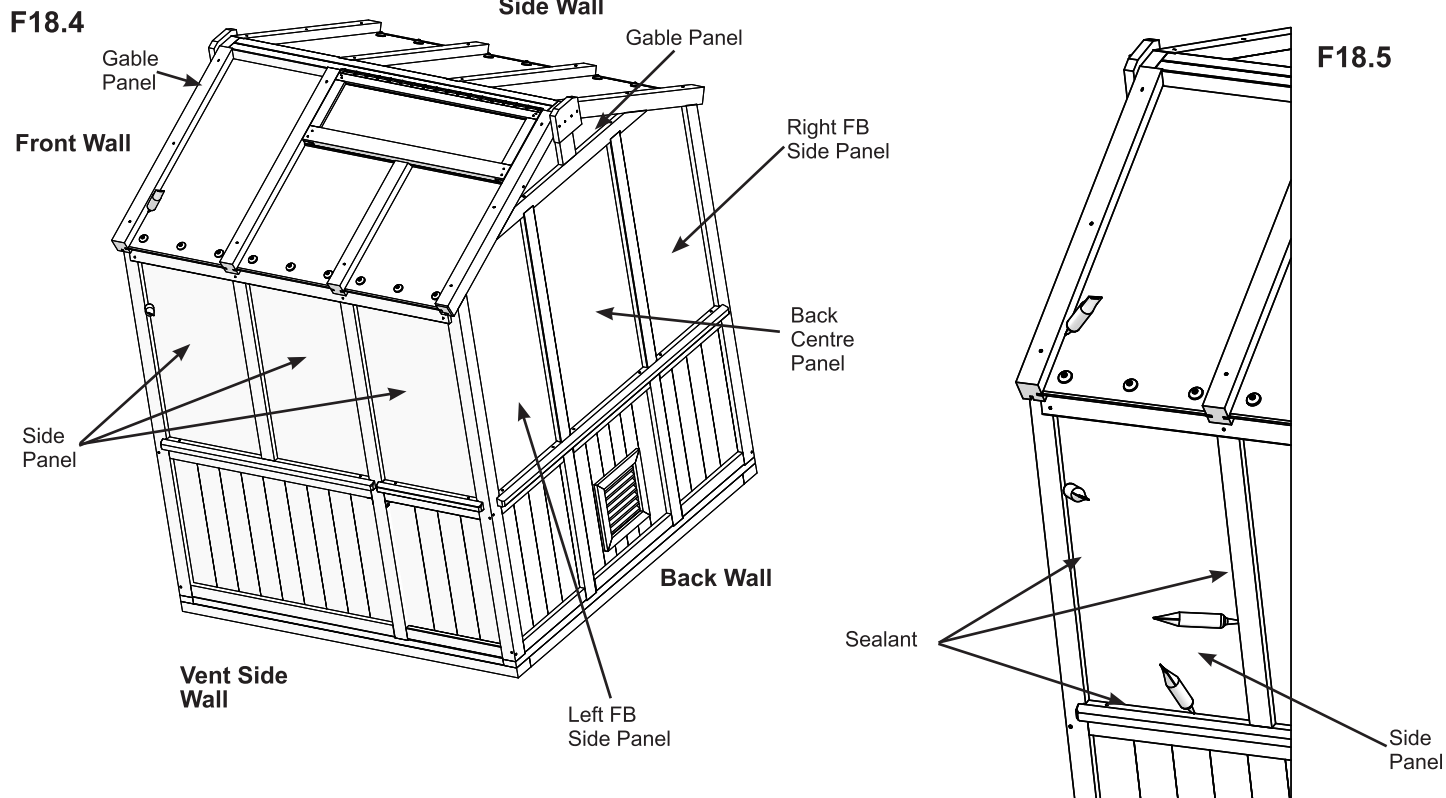
Sealant

Step 18: Apply Sealant Part 2



B: From outside the assembly, on Front Wall, Back Wall and both Side Walls apply silicone sealant on sides and bottom of Left and Right FB Side Panels, Back Centre panel and Side Panels. Sealant should be applied in small beads and smoothed out. (F18.4 and F18.5)

C: From outside the assembly, on Front and Back Walls apply silicone sealant on bottom of Gable Panels. Sealant should be applied in small beads and smoothed out. (F18.4 and F18.6)



Note: All surfaces to be clean, dry, dust and grease free before application with temperatures above 5°C (41°F), no warmer than 35°C (95°F).

- Cut off tip of tube, attach supplied nozzle then put in caulking gun. See page 6.
- Apply sealant in small beads and smooth as required.
- Clean excess with a cloth or paper towel before it skins over.
- Always wear safety glasses and rubber gloves when using product.

See page 6 for Warning and First Aid Information.

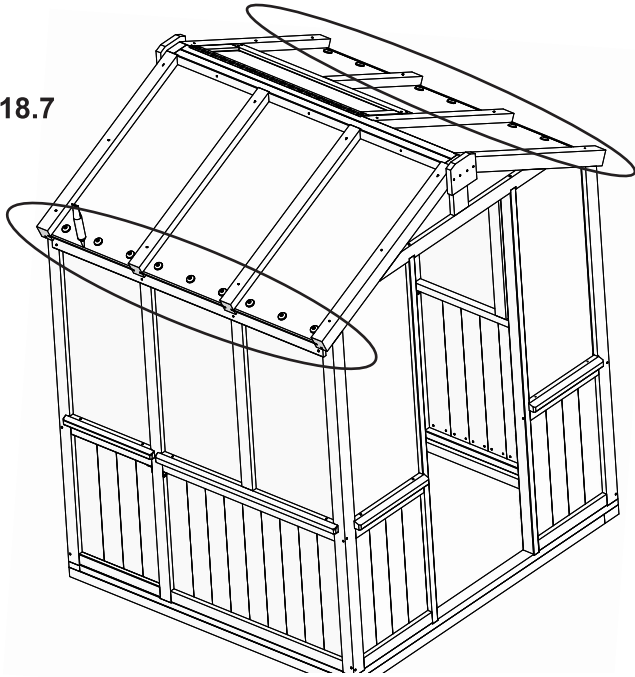
Components
Sealant

Step 18: Apply Sealant Part 3



D: Apply silicone caulking on the top edge of PC U-Channel to seal to Roof and Small Roof Panels. Sealant should be applied in small beads and smoothed out. (F18.7 and F18.8)

F18.7

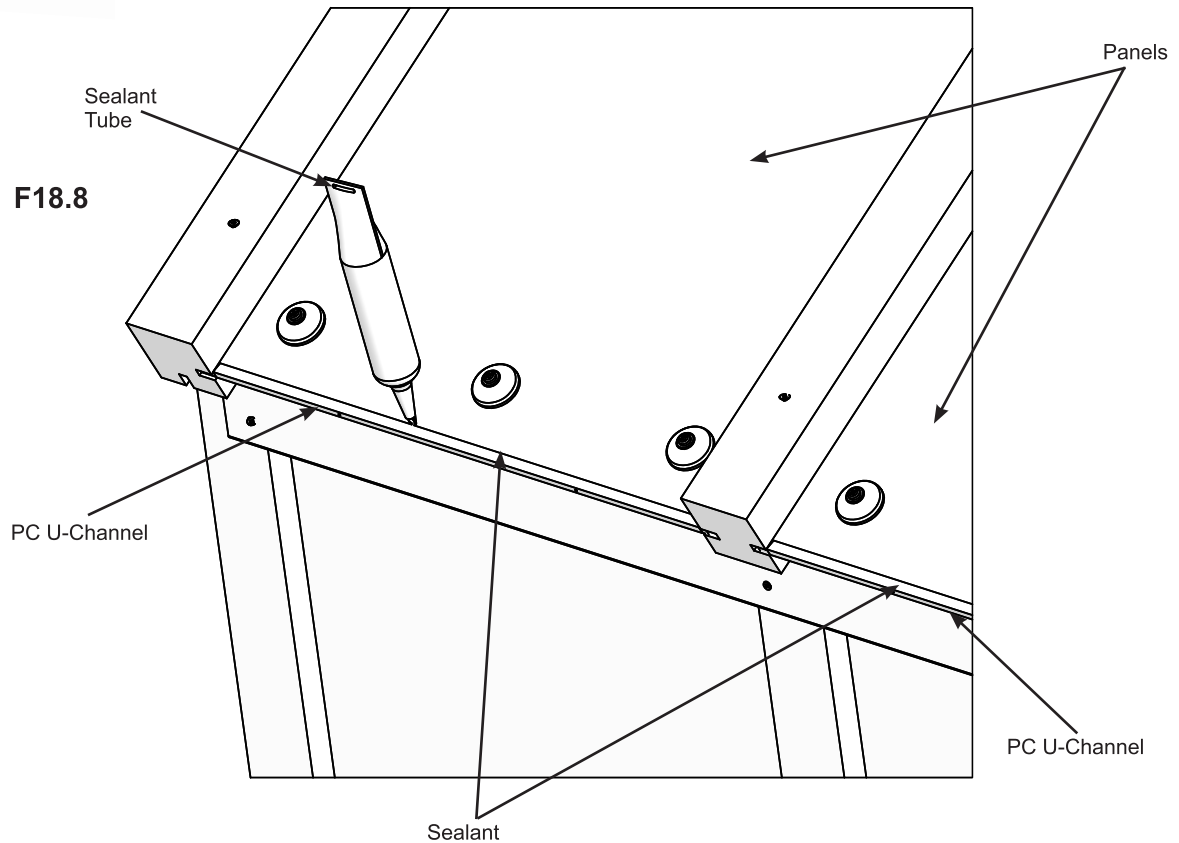


Note: All surfaces to be clean, dry, dust and grease free before application with temperatures above 5°C (41°F), no warmer than 35°C (95°F).

- Cut off tip of tube, attach supplied nozzle then put in caulking gun. See page 6.
- Apply sealant in small beads and smooth as required.
- Clean excess with a cloth or paper towel before it skins over.
- Always wear safety glasses and rubber gloves when using product.

See page 6 for Warning and First Aid Information.

F18.8



Components

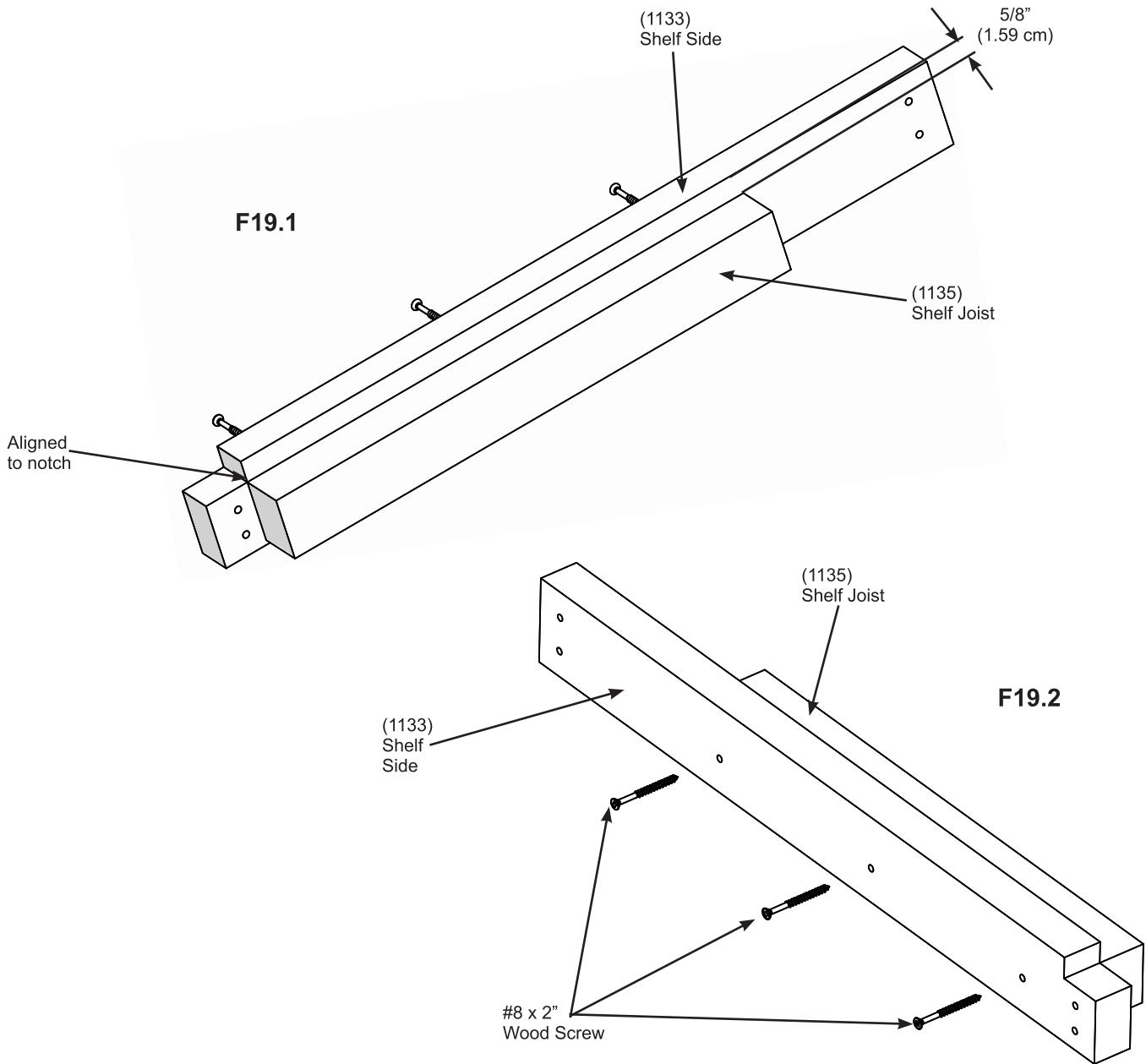
Sealant

Step 19: Right Joist Assembly



A: Place one (1135) Shelf Joist on the right side of (1133) Shelf Side so it is in alignment with the notch. The distance from the top of (1135) Shelf Joist to the top of (1133) Shelf Side is 5/8" (1.59 cm). Attach (1133) Shelf Side to (1135) Shelf Joist with three #8 x 2" Wood Screws. (F19.1 and F19.2)

This creates a Right Joist Assembly.



Wood Parts

- 1 x (1133) Shelf Side
- 1 x (1135) Shelf Joist

Hardware

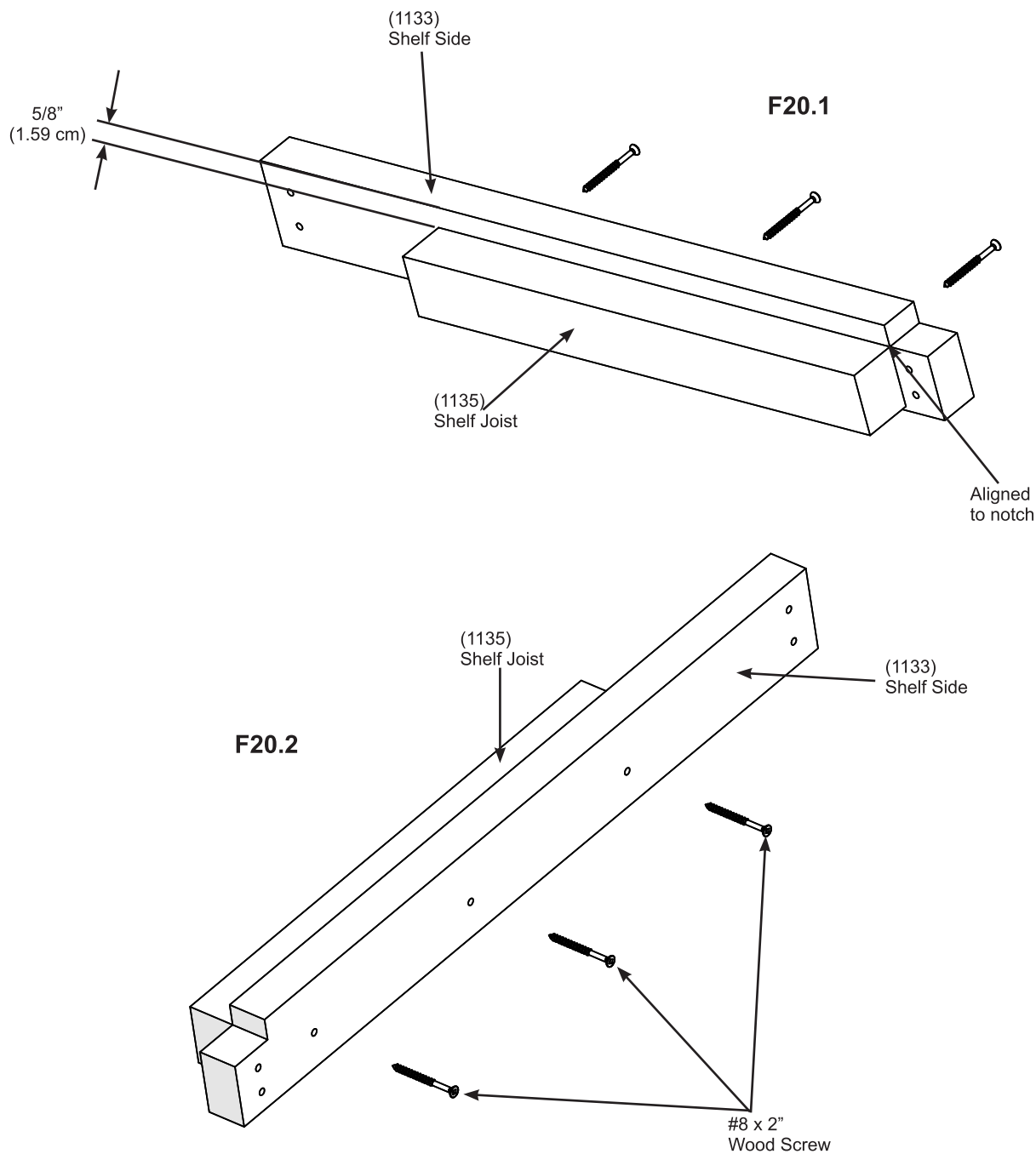
- 3 x #8 x 2" Wood Screw

Step 20: Left Joist Assembly



A: Place one (1135) Shelf Joist on the left side of (1133) Shelf Side so it is in alignment with the notch. The distance from the top of (1135) Shelf Joist to the top of (1133) Shelf Side is 5/8" (1.59 cm). Attach (1133) Shelf Side to (1135) Shelf Joist with three #8 x 2" Wood Screws. (F20.1 and F20.2)

This creates a Left Joist Assembly.



Wood Parts

- 1 x (1133) Shelf Side
- 1 x (1135) Shelf Joist

Hardware

- 3 x #8 x 2" Wood Screw

Step 21: Lower Shelf Assembly Part 1

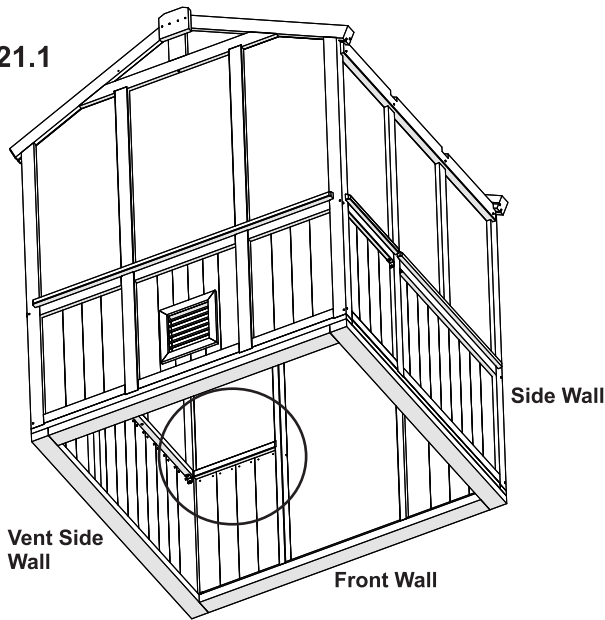


A: Place Right Joist Assembly against the Front Wall so the notch side sits tight to the Side Wall or Vent Side Wall and (1107) Side Wall Sill and to the Right or Left Post and Door Post. (1135) Shelf Joist faces away from the Front Wall. Make sure (1133) Shelf Side is level then attach to Front Wall with four #8 x 2-1/2" Wood Screws. (F21.1 and F21.2)

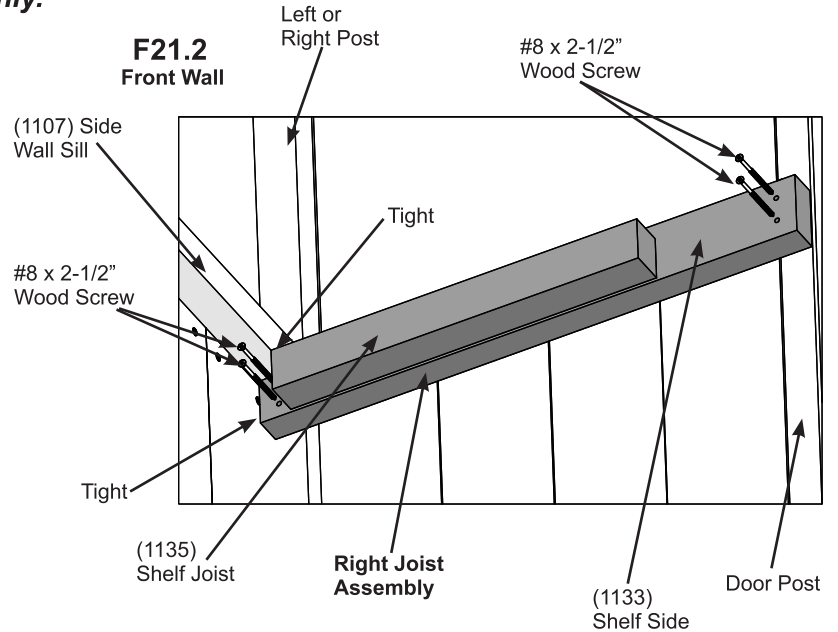
B: Place Left Joist Assembly against the Back Wall so the notch side sits tight to the Side Wall or Vent Side Wall and (1534) Middle Side Wall Sill and to the Right or Left Post and Back Post. (1135) Shelf Joist faces away from the Back Wall. Make sure (1133) Shelf Side is level then attach to Back Wall with four #8 x 2-1/2" Wood Screws. (F21.3 and F21.4)

Images show installation on Vent Side Wall only.

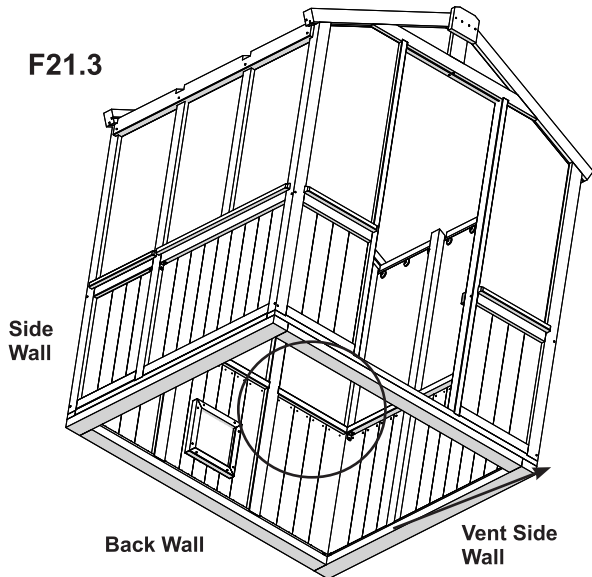
F21.1



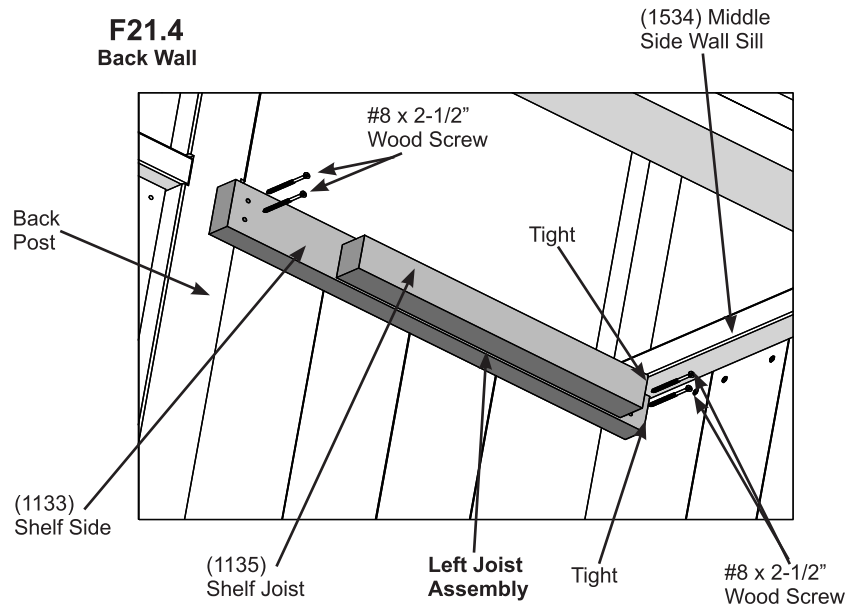
F21.2
Front Wall



F21.3



F21.4
Back Wall



Hardware

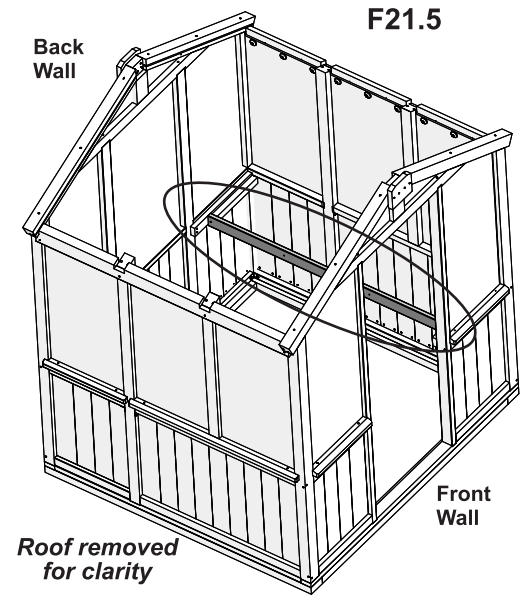
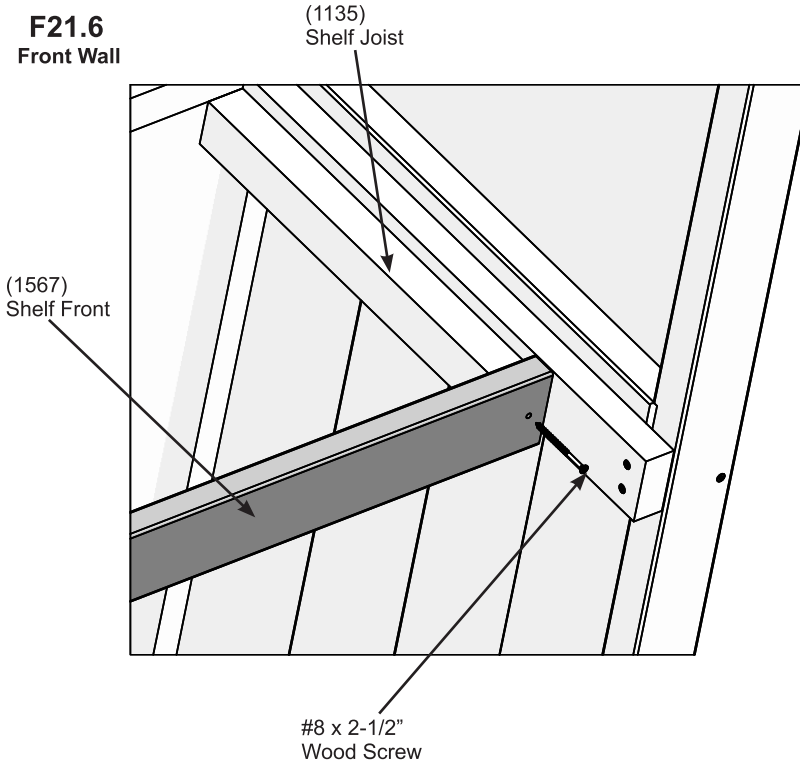
8 x #8 x 2-1/2" Wood Screw

Step 21: Lower Shelf Assembly Part 2

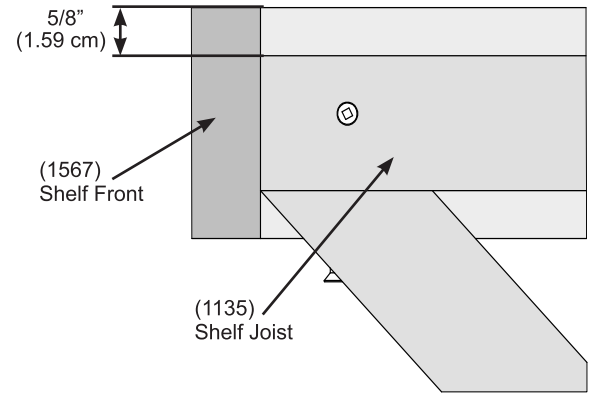


C: Place one (1567) Shelf Front against each (1135) Shelf Joist so it sits 5/8" (1.59 cm) above the joists. Attach (1567) Shelf Front to (1135) Shelf Joists with two #8 x 2-1/2" Wood Screws. (F21.5, F21.6, F21.7 and F21.8)

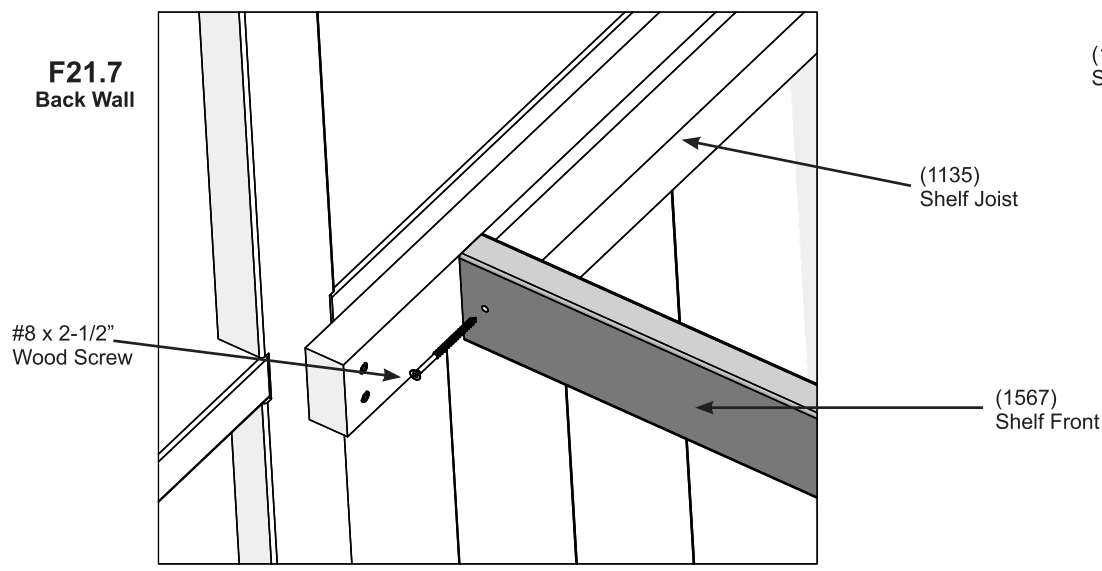
F21.6
Front Wall



F21.8



F21.7
Back Wall



Wood Parts

1 x (1567) Shelf Front

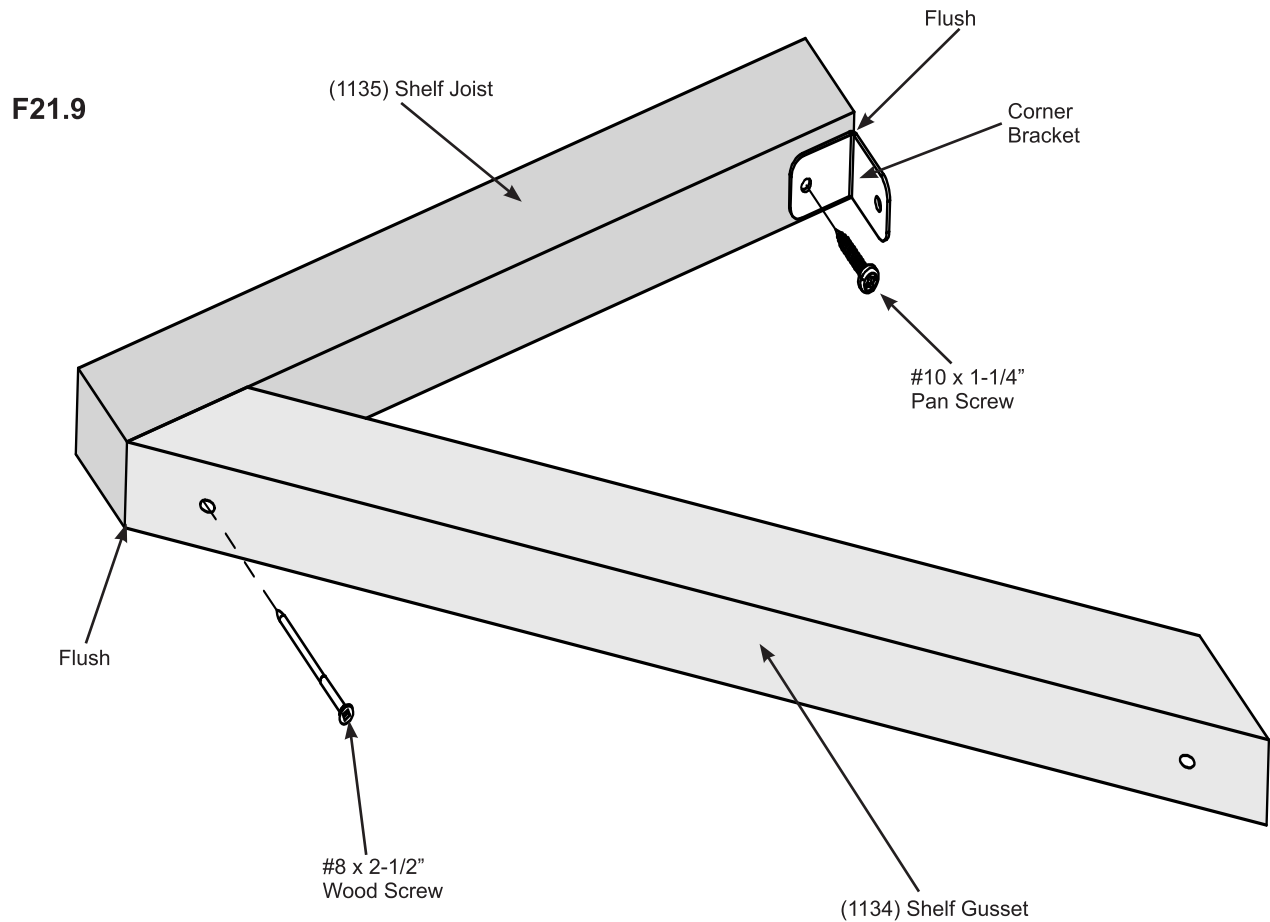
Hardware

2 x #8 x 2-1/2" Wood Screw

Step 21: Lower Shelf Assembly Part 3

D: Flush to one side of one (1135) Shelf Joist attach one Corner Bracket with one #10 x 1-1/4" Pan Screw. (F21.9)

E: Flush to the other side of (1135) Shelf Joist attach one (1134) Shelf Gusset with one #8 x 2-1/2" Wood Screw. (F21.9)



Wood Parts

- 1 x (1135) Shelf Joist
- 1 x (1134) Shelf Gusset

Components

- 1 x Corner Bracket

Hardware

- 1 x #10 x 1-1/4" Pan Screw
- 1 x #8 x 2-1/2" Wood Screw

Step 21: Lower Shelf Assembly - Side Wall Part 4

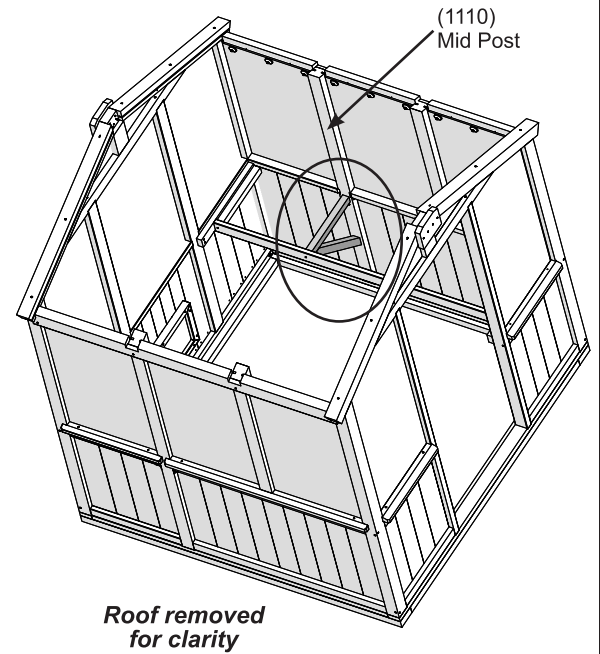


F: Tight to (1110) Mid Post place Joist-Gusset Assembly so (1135) Shelf Joist is level with the bottom of (1107) Side Wall Sill then attach Corner Bracket to (1110) Mid Post with one #10 x 1-1/4" Pan Screw. (F21.10, F21.11 and F21.12)

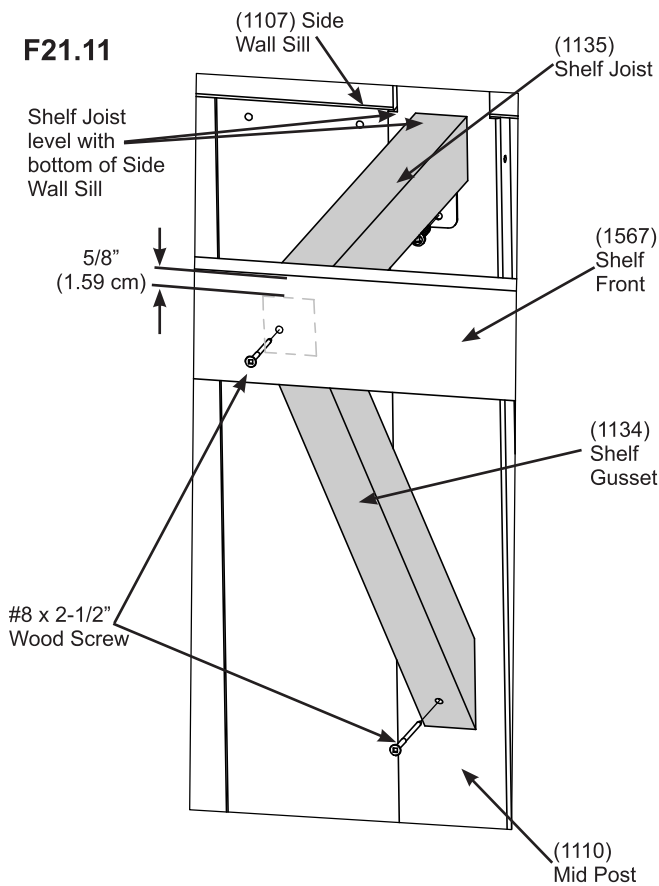
G: Attach (1134) Shelf Gusset to (1110) Mid Post with one #8 x 2-1/2" Wood Screw. (F21.10, F21.11 and F21.12)

H: Make sure Joist-Gusset Assembly sits 5/8" (1.59 cm) down from the top of (1567) Shelf Front and is centred over the pilot holes. Attach (1567) Shelf Front to (1135) Shelf Joist with one #8 x 2-1/2" Wood Screw. (F21.10, F21.11 and F21.12)

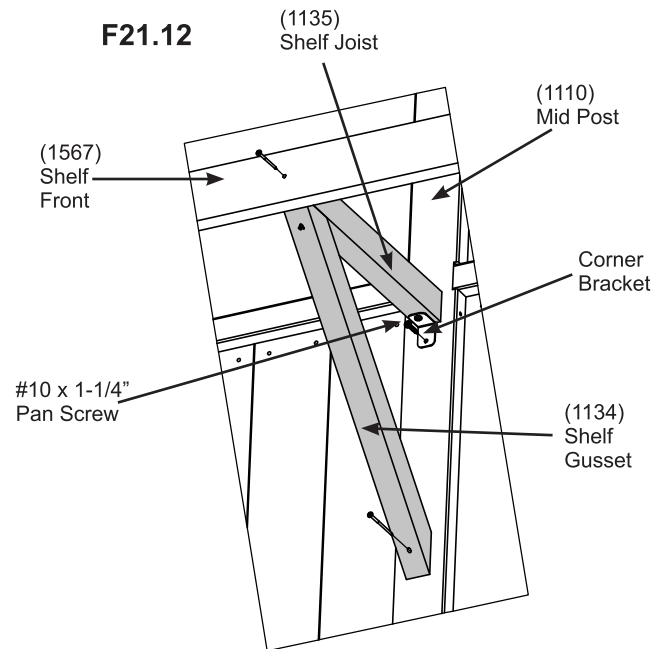
F21.10



F21.11



F21.12

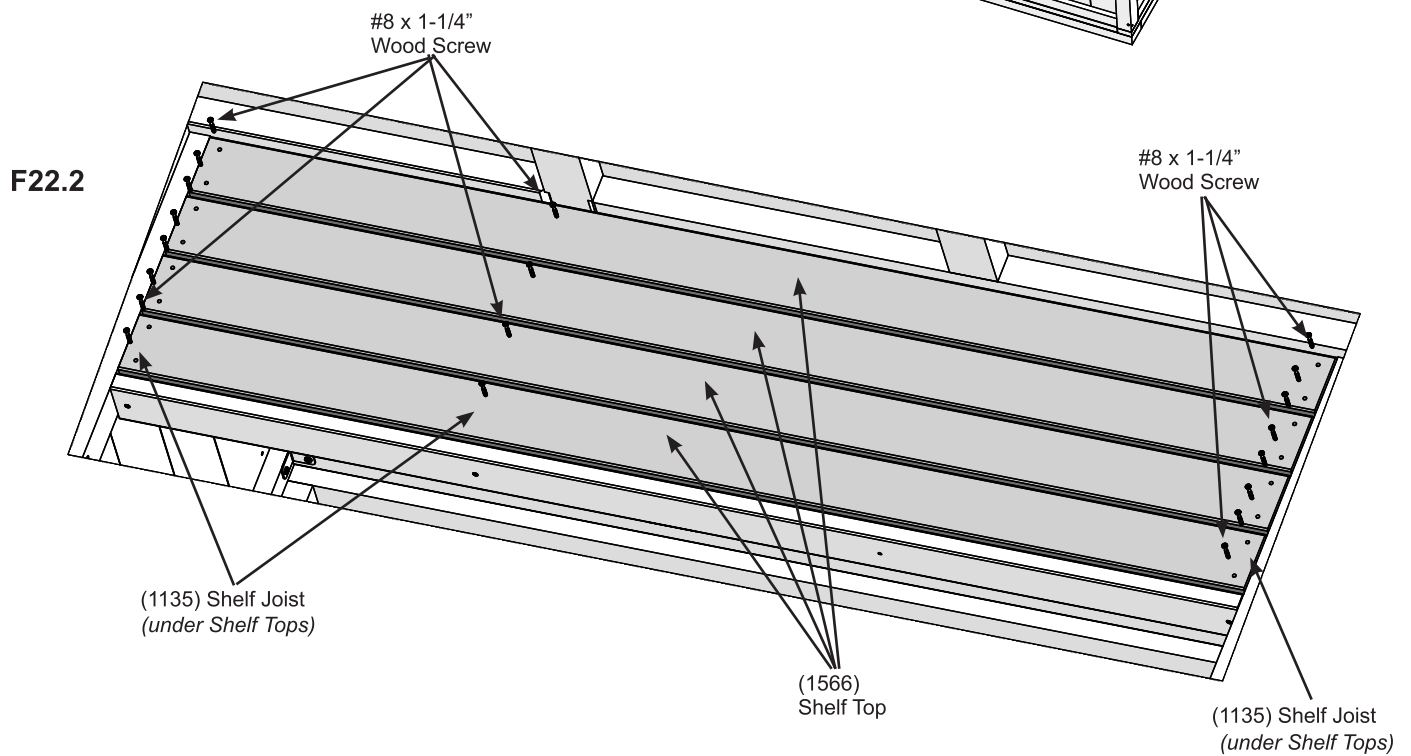
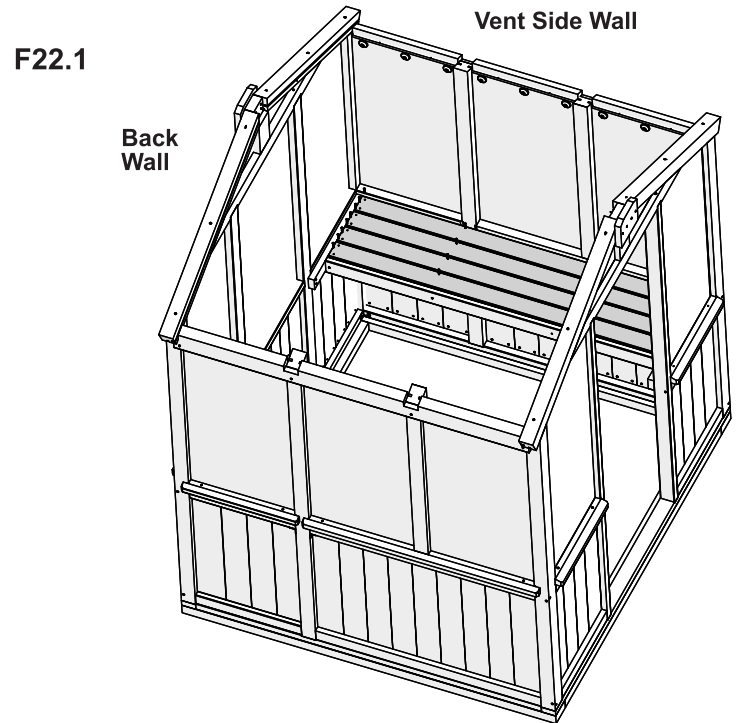


Hardware

- 1 x #10 x 1-1/4" Pan Screw
- 2 x #8 x 2-1/2" Wood Screw

Step 22: Attach Shelf Tops Part 1

A: Tight to the Vent Side Wall or Side Wall place four (1566) Shelf Tops on (1135) Shelf Joists. Attach (1566) Shelf Tops to end joists with four #8 x 1-1/4" Wood Screws per shelf. Find the centre of middle (1135) Shelf Joist then attach (1566) Shelf Tops to (1135) Shelf Joist with one #8 x 1-1/4" Wood Screws per board. (F22.1 and F22.2)



Wood Parts

4 x (1566) Shelf Top

Hardware

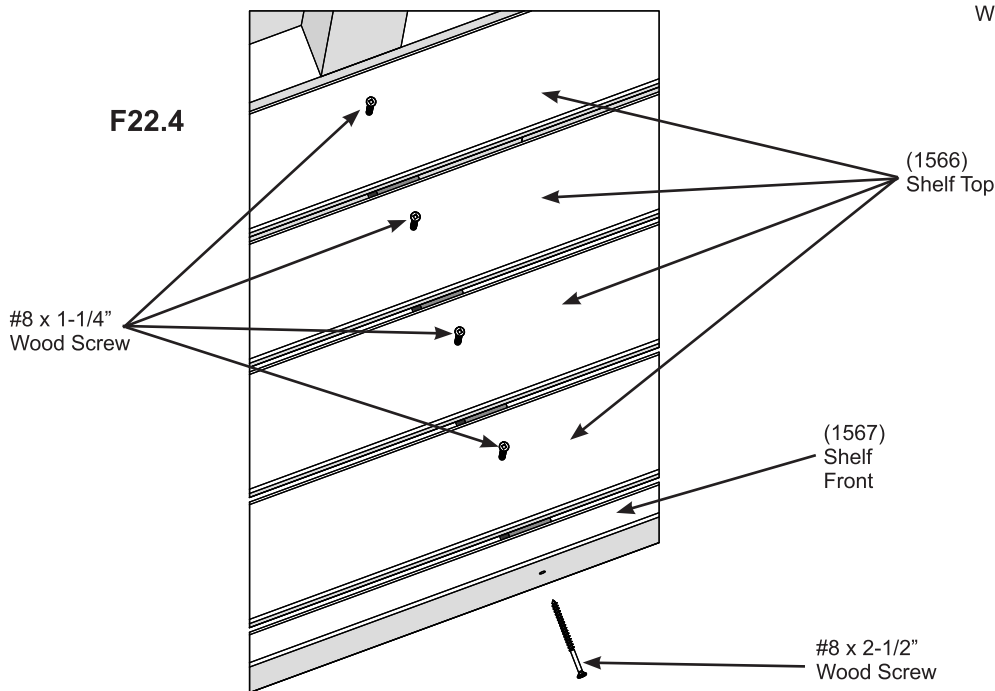
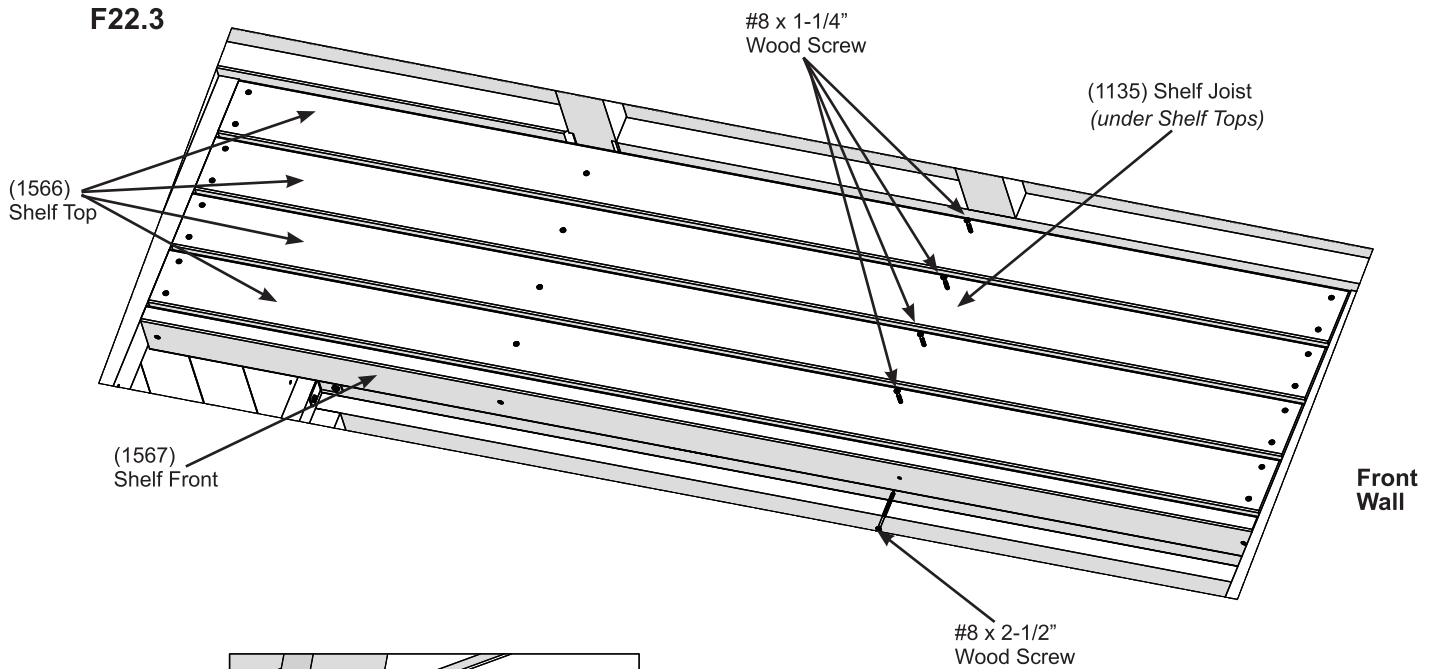
20 x #8 x 1-1/4" Wood Screw

Step 22: Attach Shelf Tops Part 2



B: Under (1566) Shelf Tops place one (1135) Shelf Joist centred over pilot hole closest to the Front Wall in (1567) Shelf Front then attach with one #8 x 2-1/2" Wood Screw. (F22.3 and F22.4)

C: Find the centre of (1135) Shelf Joist then attach (1566) Shelf Tops to (1135) Shelf Joist with one #8 x 1-1/4" Wood Screw per board. (F22.3 and F22.4)



Wood Parts

1 x (1135) Shelf Joist

Hardware

4 x #8 x 1-1/4" Wood Screw

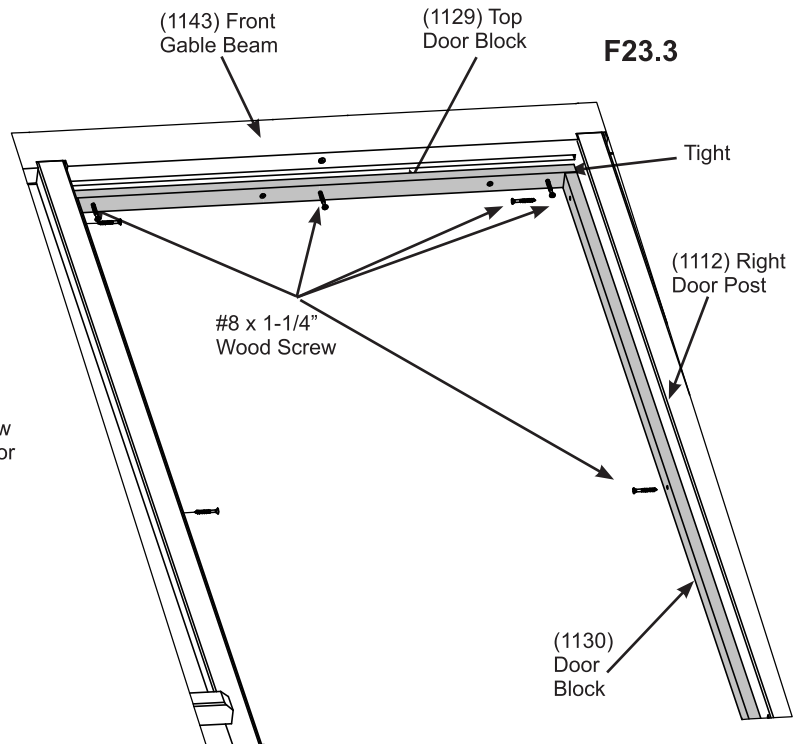
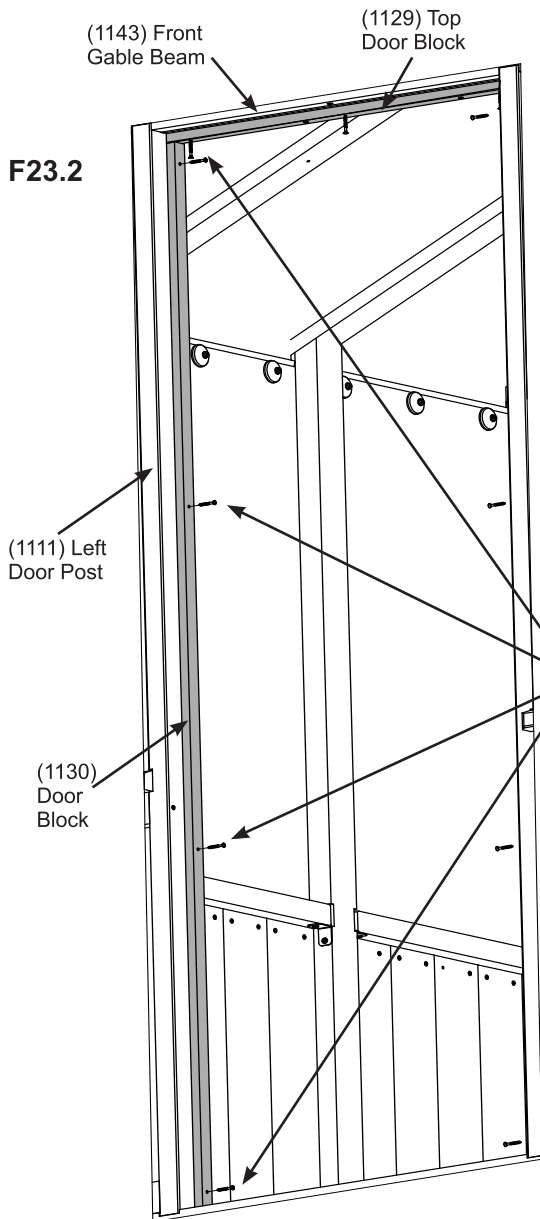
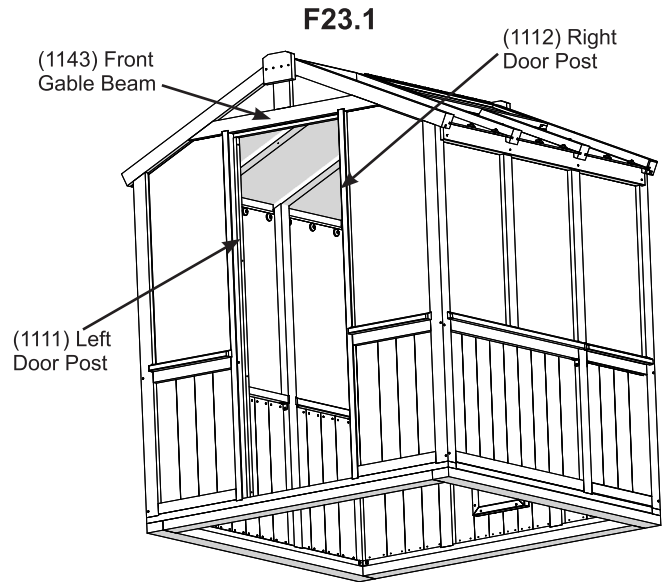
1 x #8 x 2-1/2" Wood Screw

Step 23: Door Assembly Part 1



A: Tight to bottom of (1143) Front Gable Beam, flush to the inside edge, attach (1129) Top Door Block with three #8 x 1-1/4" Wood Screws. (F23.1, F23.2 and F23.3)

B: Tight to (1129) Top Door Block place one (1130) Door Block against both (1111) Left Door Post and (1112) Right Door Post, flush to the inside edges. Attach (1130) Door Blocks to each post with four #8 x 1-1/4" Wood Screws per board. (F23.1, F23.2 and F23.3)



Wood Parts

- 1 x (1129) Top Door Block
- 2 x (1130) Door Block

Hardware

- 11 x #8 x 1-1/4" Wood Screw

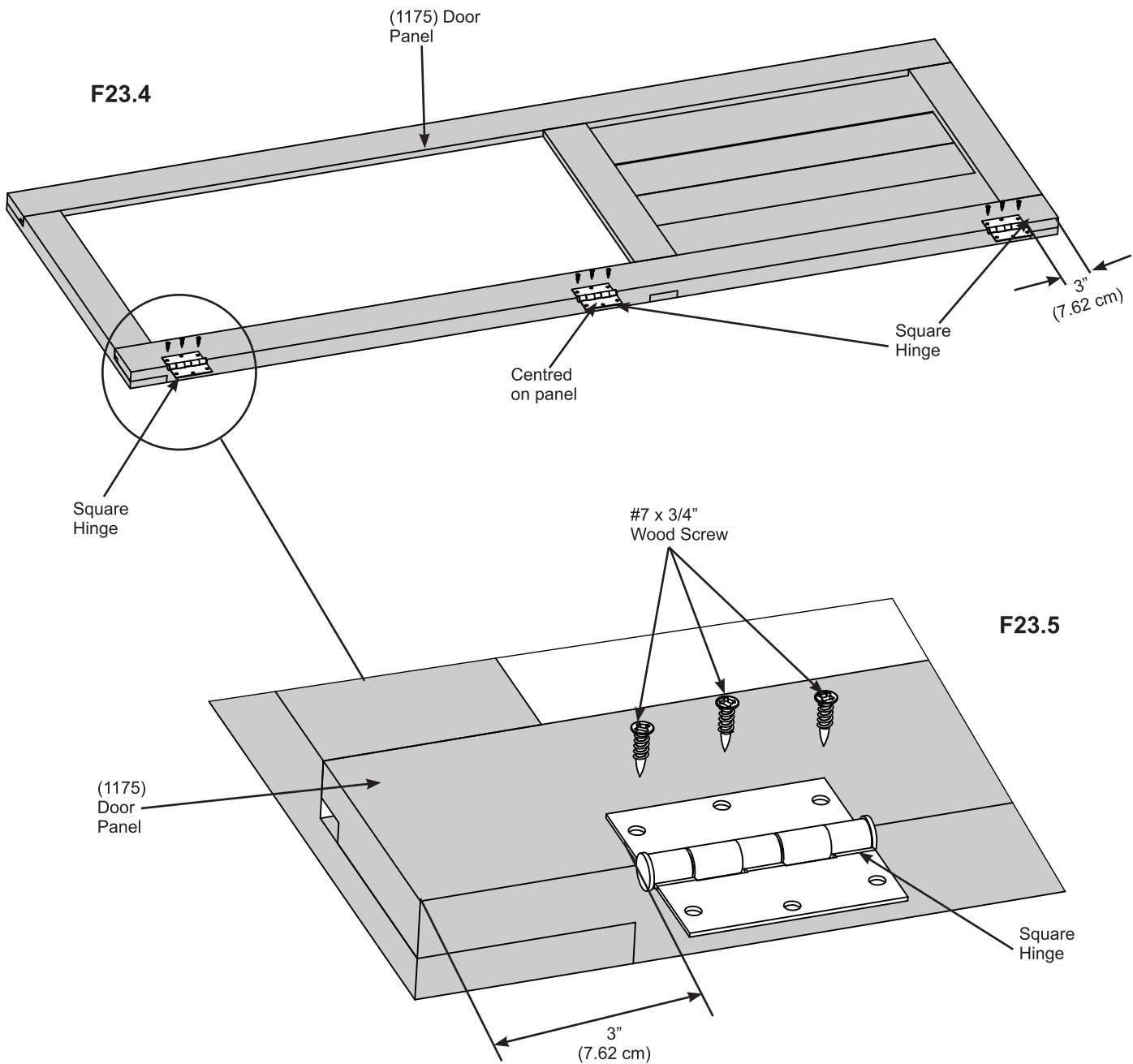
Step 23: Door Assembly Part 2



Note: Door can be hung from either the right or left side. Instructions show from the left side. To hang from the right side Hinges and Sliding Barrel Bolt to be attached on the opposite side.

C: On the outside of the (1175) Door Panel measure 3" (7.62 cm) from the top and 3" (7.62 cm) from the bottom of the panel then attach two Square Hinges using three #7 x 3/4" Wood Screws per hinge. (F23.4 and F23.5)

D: On the same side as the top and bottom Square Hinges attach a third hinge centred on the panel using three #7 x 3/4" Wood Screws. (F23.4 and F23.5)



Wood Parts

1 x (1175) Door Panel

Components

3 x Square Hinges

Hardware

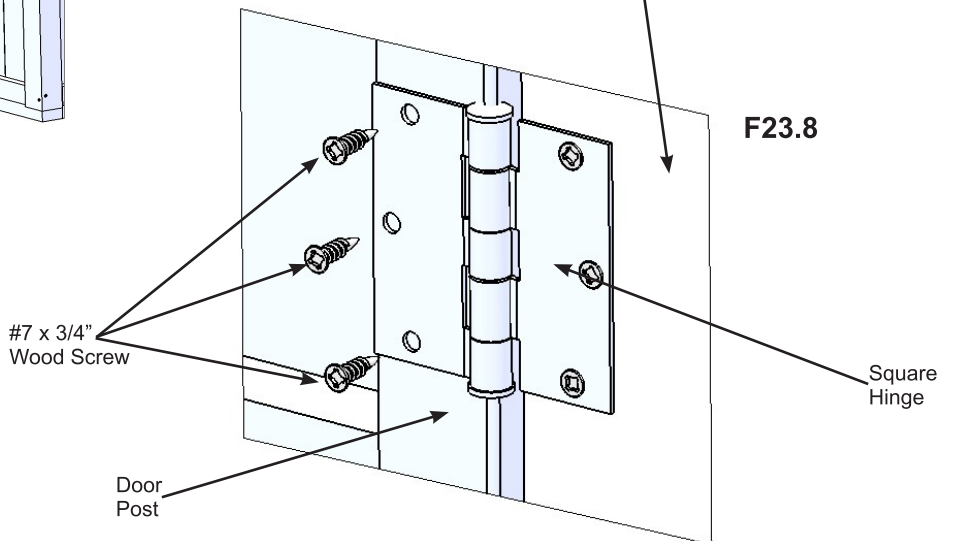
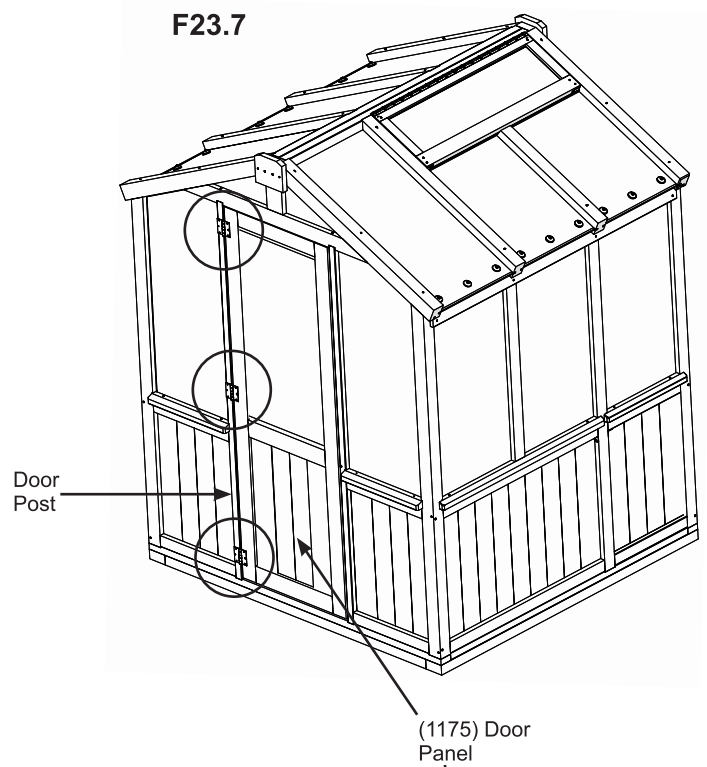
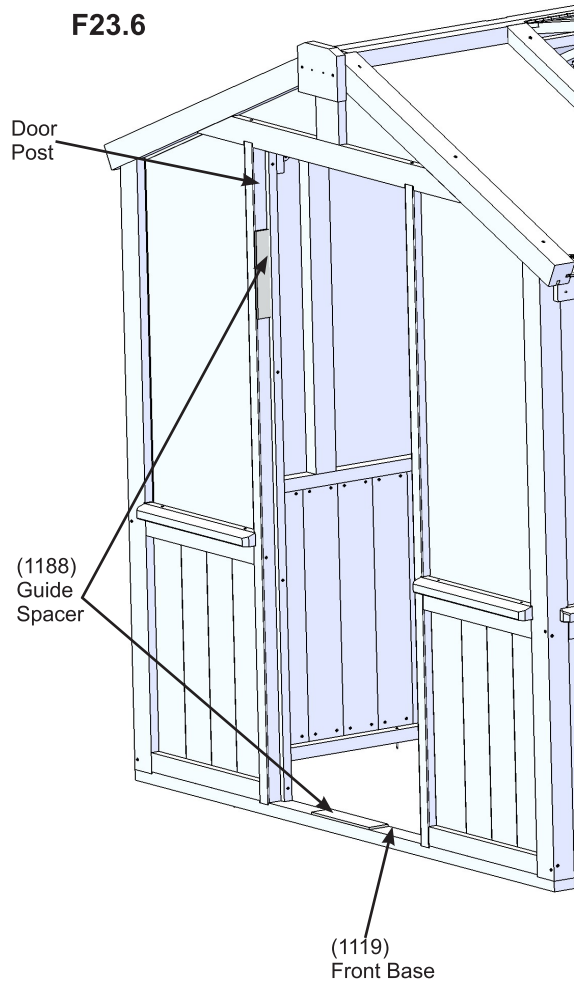
9 x #7 x 3/4" Wood Screw

Step 23: Door Assembly Part 3



E: Place (1188) Guide Spacers flat on Door Post and (1119) Front Base to set the space in the door opening for the (1175) Door Panel placement. (F23.6)

F: Place (1175) Door Panel in door opening and attach Square Hinges to Door Post with three #7 x 3/4" Wood Screws per hinge. Remove (1188) Guide Spacers. (F23.7 and F23.8)



Hardware

9 x #7 x 3/4" Wood Screw

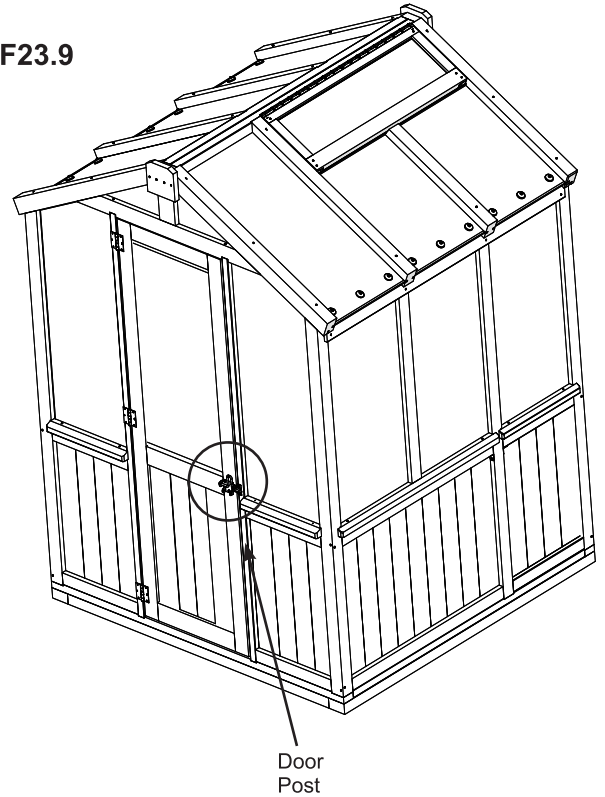
Step 23: Door Assembly Part 4



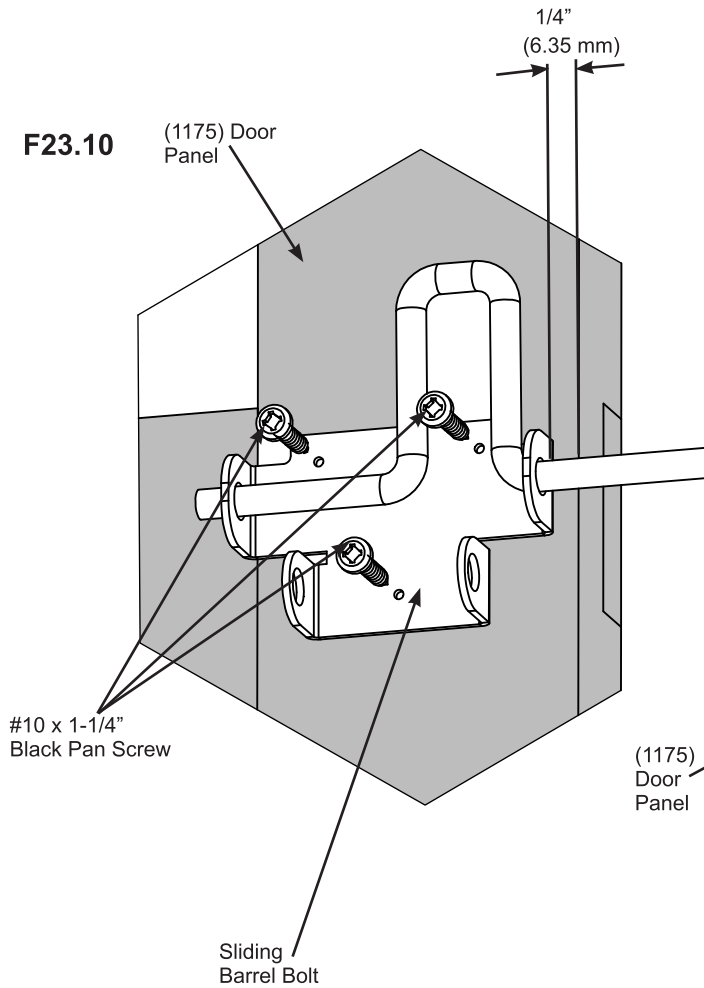
G: On the opposite side from the hinges, attach Sliding Barrel Bolt 1/4" (6.35 mm) to edge of (1175) Door Panel using three #10 x 1-1/4" Black Pan Screws, as shown in F23.9 and F23.10.

H: Close (1175) Door Panel to determine placement of the Ear of the Sliding Barrel Bolt on the Door Post then attach with two #10 x 1-1/4" Black Pan Screws. (F23.9 and F23.11)

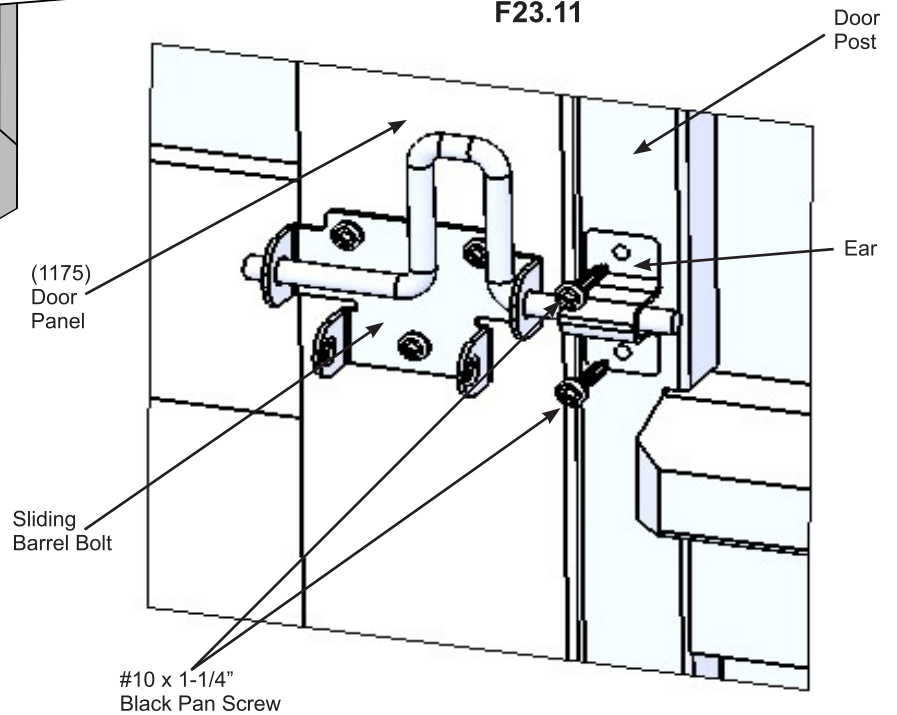
F23.9



F23.10



F23.11



Components

1 x Sliding Barrel Bolt

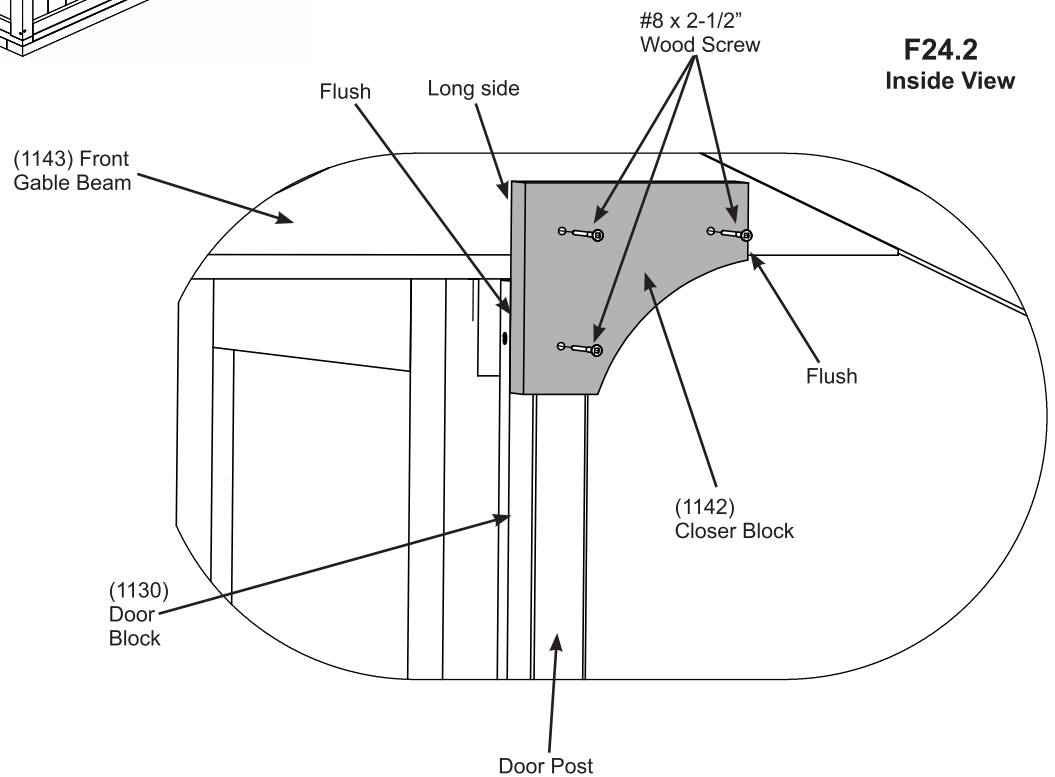
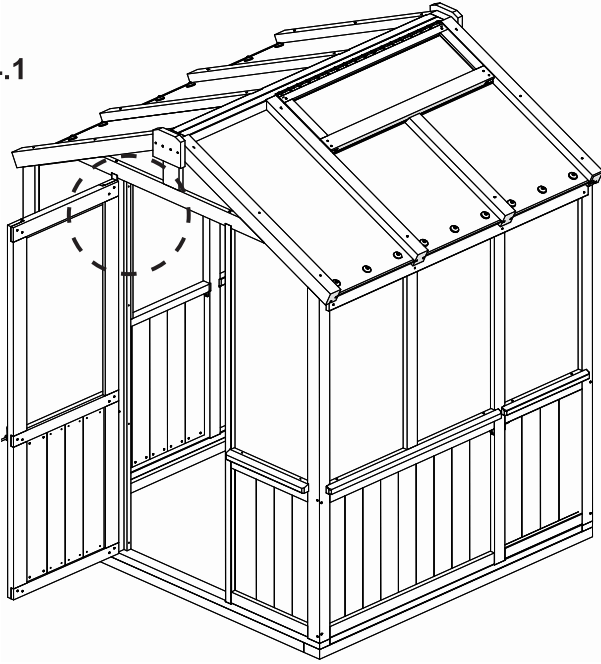
Hardware

5 x #10 x 1-1/4" Black Pan Screw

Step 24: Attach Closer Block

A: From inside the greenhouse, on the door side, with the door open, place (1142) Closer Block against Door Post and flush to outside edge of (1130) Door Block. The long side will be against (1130) Door Block and bottom of arch flush to the bottom of (1143) Front Gable Beam. Attach (1142) Closer Block to Door Post and (1143) Front Gable Beam with three #8 x 2-1/2" Wood Screws. (F24.1 and F24.2)

F24.1



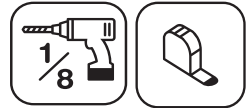
Wood Parts

1 x (1142) Closer Block

Hardware

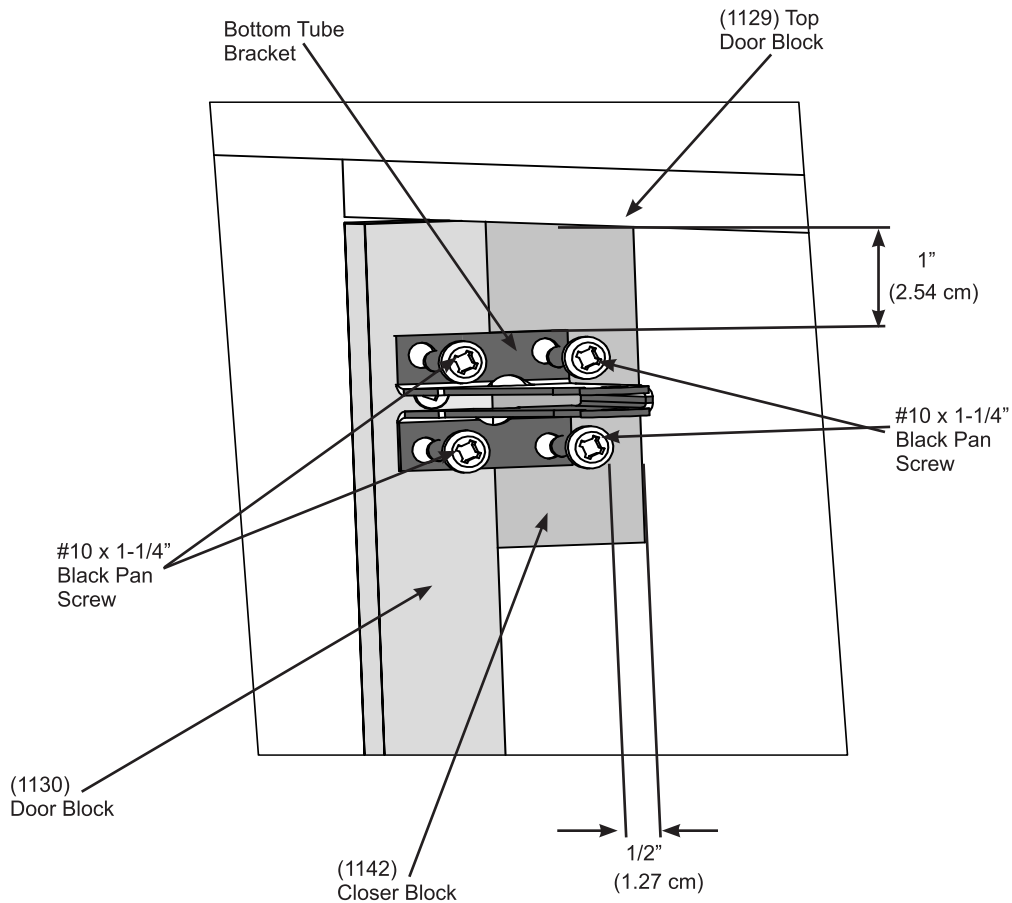
3 x #8 x 2-1/2" Wood Screw

Step 25: Attach Door Closer Part 1



A: Measure 1" (2.54 cm) down from (1129) Top Door Block and 1/2" (1.27 cm) in from edge of (1142) Closer Block then place Bottom Tube Bracket on (1142) Closer Block and (1130) Door Block, pre-drill with a 1/8" drill bit then attach with four #10 x 1-1/4" Black Pan Screws. (F25.1)

F25.1



Components

1 x Bottom Tube Bracket

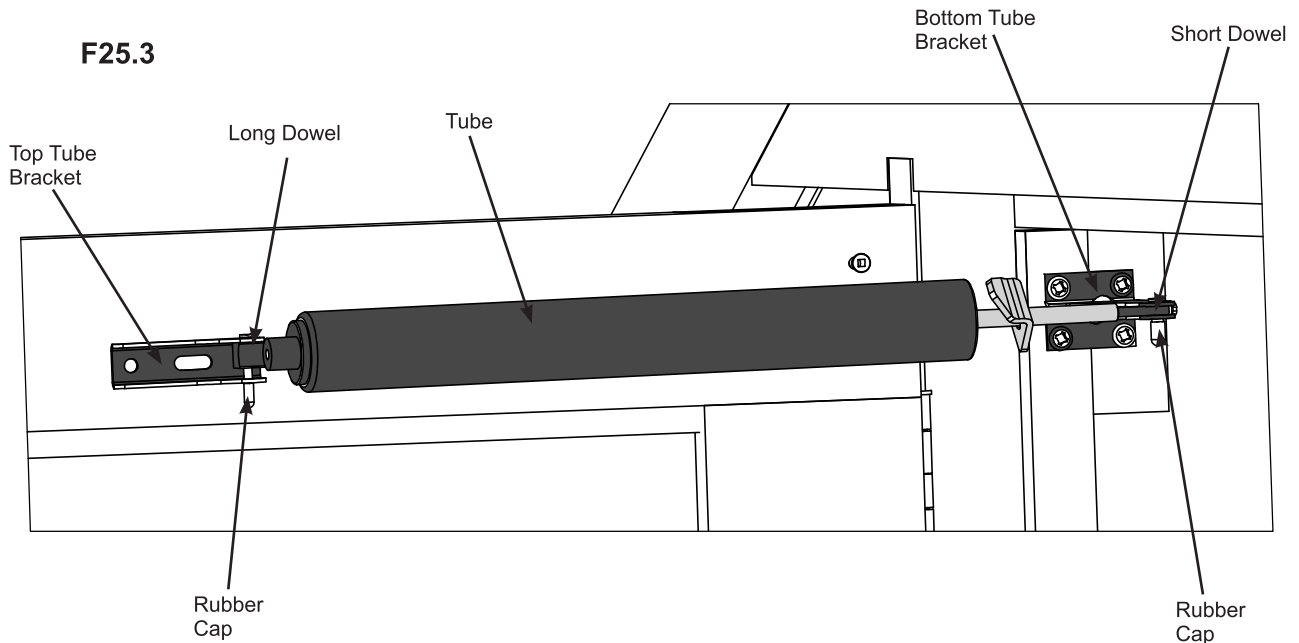
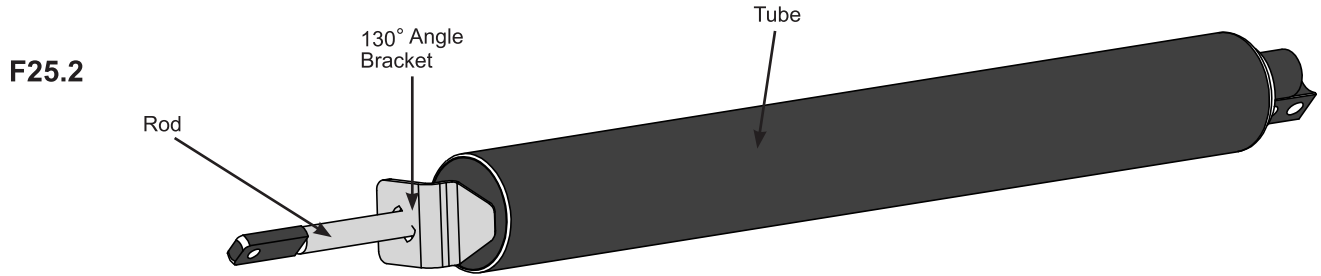
Hardware

4 x #10 x 1-1/4" Black Pan Screw

Step 25: Attach Door Closer Part 2

B: Slide 130° Angle Bracket over rod of the Tube then attach with Short Dowel to Bottom Tube Bracket and attach a Rubber Cap. (F25.2 and F25.3)

C: Attach Top Tube Bracket to the end of the Tube with Long Dowel and attach a Rubber Cap. (F25.3)



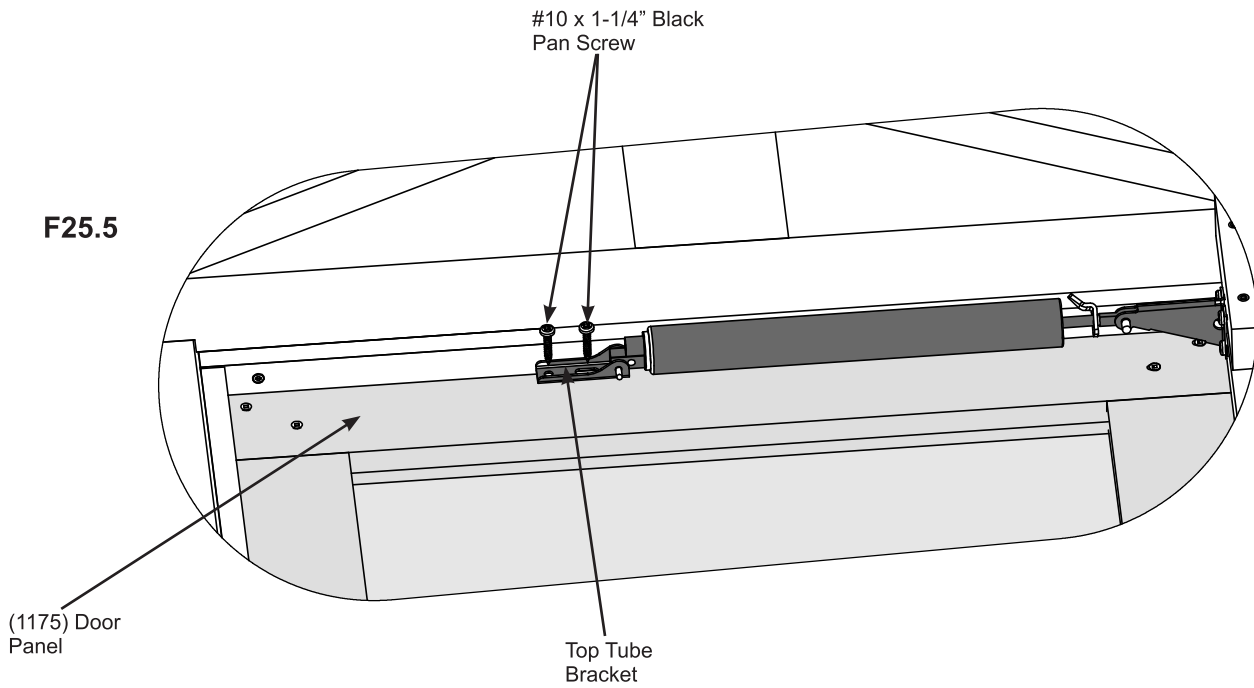
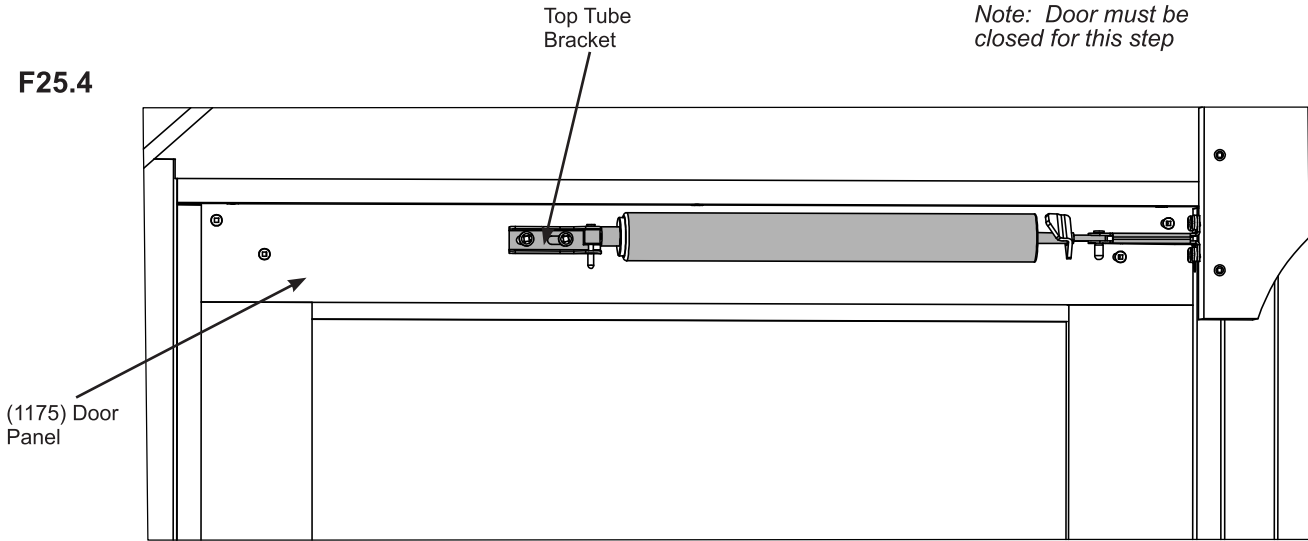
Components

2 x Rubber Cap	1 x Short Dowel
1 x Top Tube Bracket	1 x Long Dowel
1 x 130° Angle Bracket	1 x Tube

Step 25: Attach Door Closer Part 3



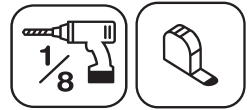
D: Close the door and attach Top Tube Bracket to (1175) Door Panel with two #10 x 1-1/4" Black Pan Screws. Make sure tube is level . (F25.4 and F25.5)



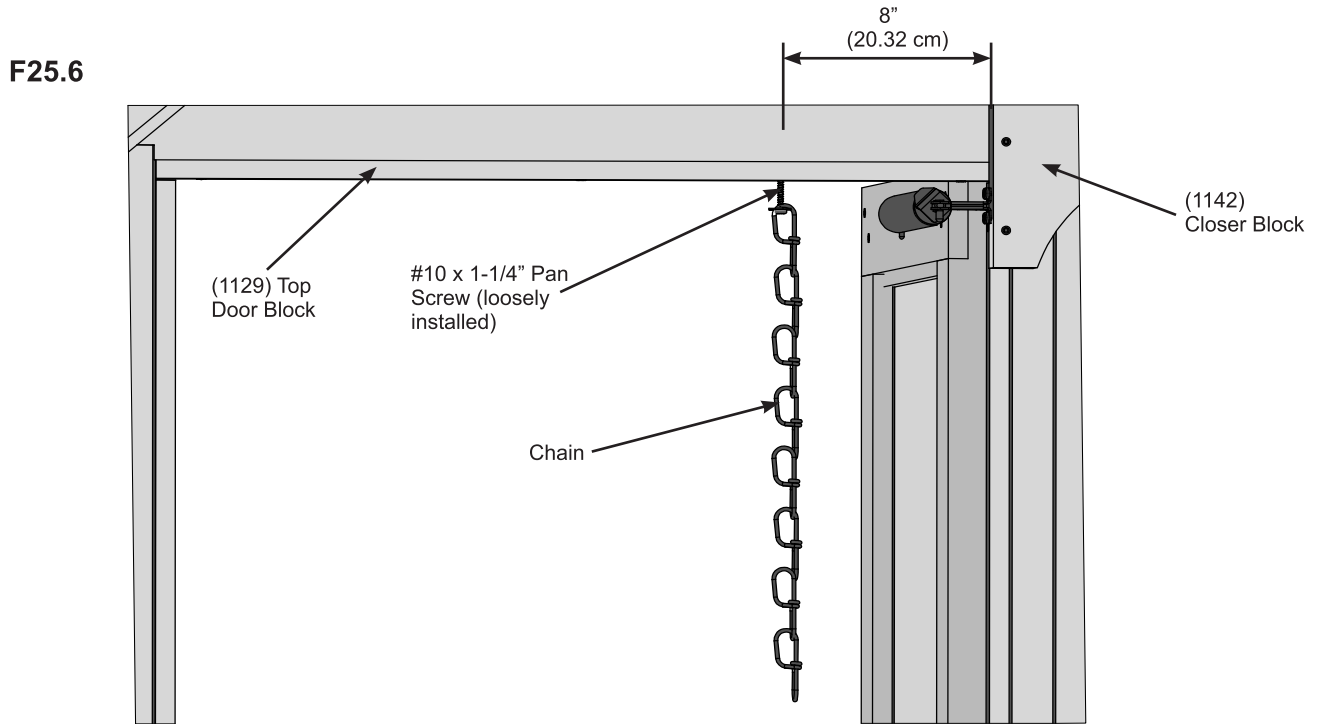
Hardware

2 x #10 x 1-1/4" Black Pan Screw

Step 25: Attach Door Closer Part 4

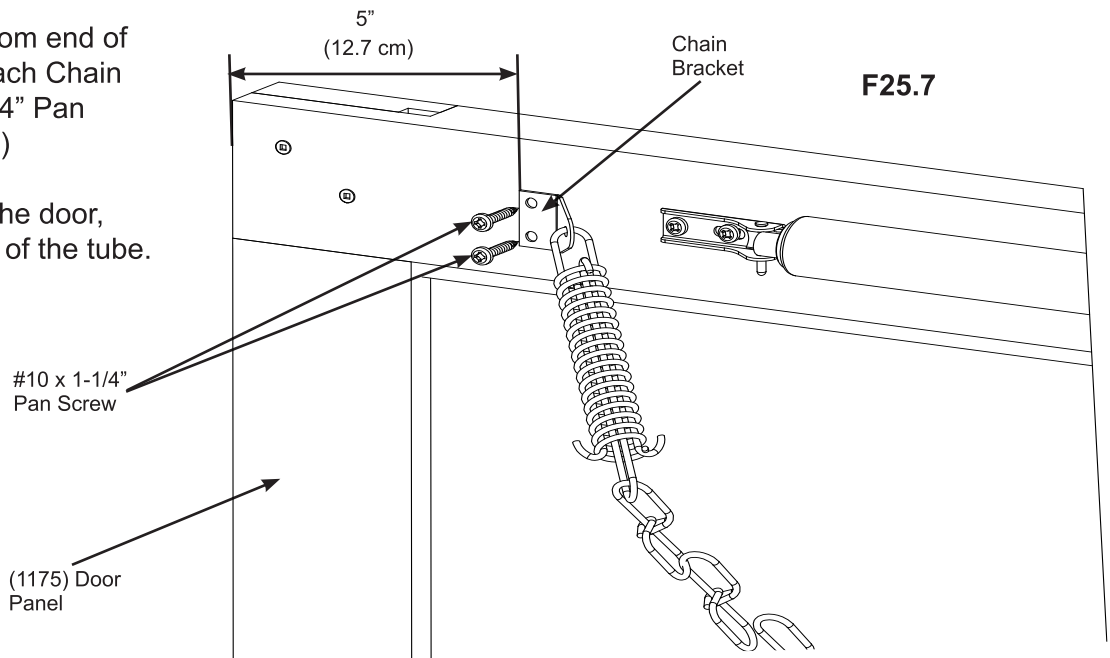


E: Open door, then along (1129) Top Door Block measure 8" (20.32 cm) in from (1130) Door Block and centred on (1129) Top Door Block pre-drill with a 1/8" drill bit. Put one #10 x 1-1/4" Pan Screw through end chain link then loosely attach to (1129) Top Door Block. Do not tighten screw, the chain needs to move easily. (F25.6)



F: Measure 5" (12.7 cm) from end of (1175) Door Panel then attach Chain Bracket with two #10 x 1-1/4" Pan Screws. (F25.6 and F25.7)

G: To adjust the speed of the door, adjust the screw at the end of the tube. (F25.6 and F25.7)



Components

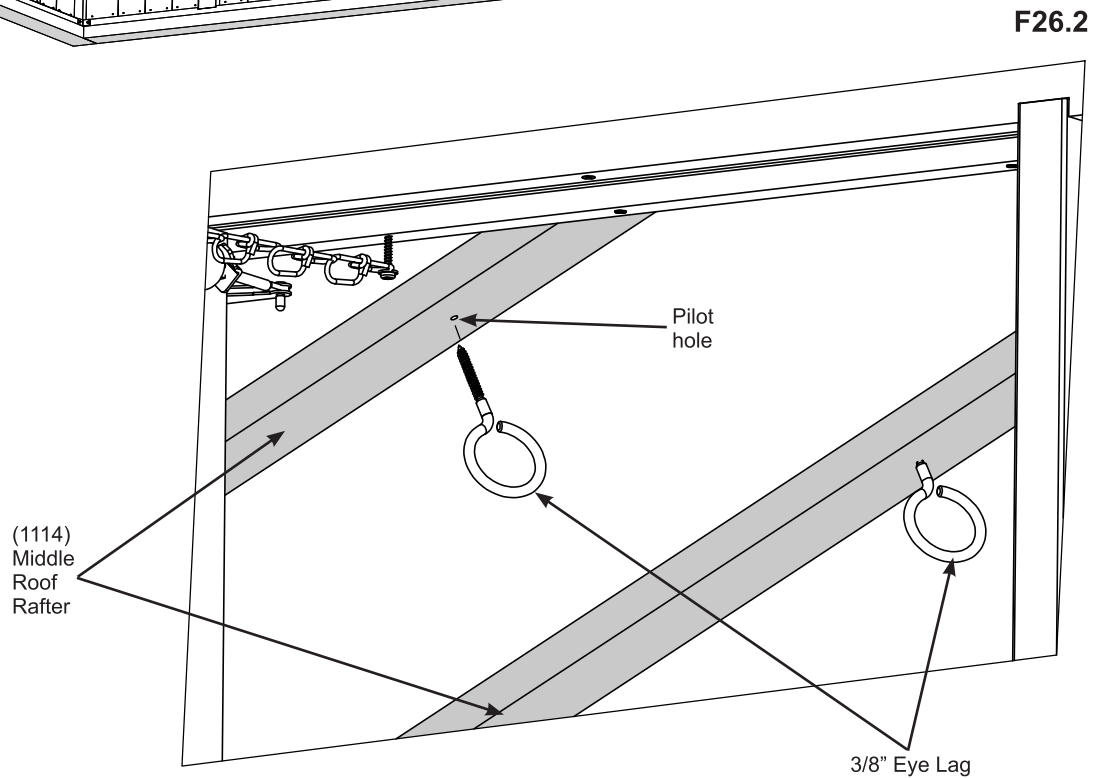
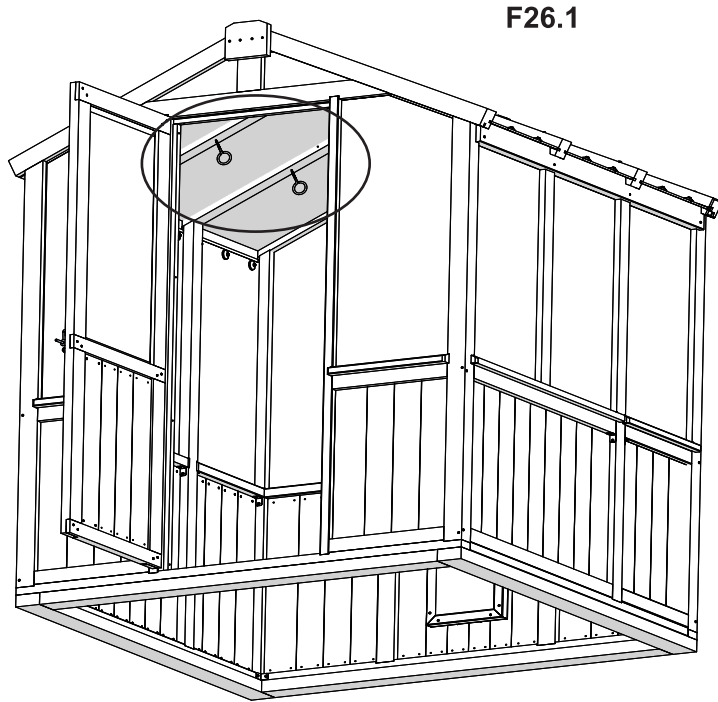
1 x Chain with Chain Bracket

Hardware

3 x #10 x 1-1/4" Pan Screw

Step 26: Attach Eye Lags

A: Attach one 3/8" Eye Lag to the pilot hole in each (1114) Middle Roof Rafter on both roof assemblies. (F26.1 and F26.2)

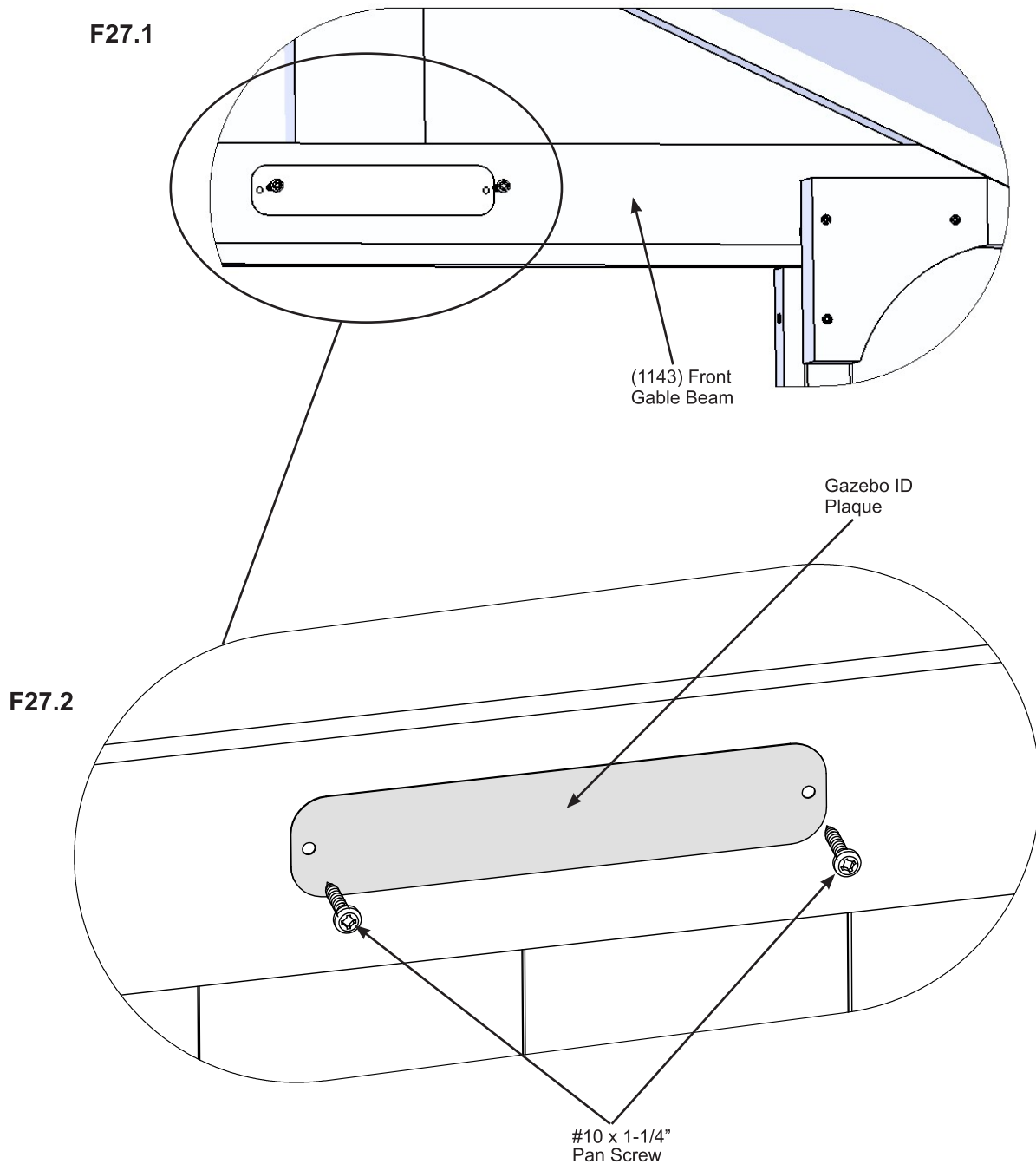


Components

3 x 3/8" Eye Lag

Step 27: Attach ID Plaque

A: Attach Gazebo ID Plaque to a prominent location on your greenhouse, such as inside the greenhouse above the door, with two #10 x 1-1/4" Pan Screws. This provides warnings concerning safety and important contact information. A tracking number is provided to allow you to get critical information or order replacement parts for this specific model. (F27.1 and F27.2)



Components

1 x Gazebo ID Plaque

Hardware

2 x #10 x 1-1/4" Pan Screw



Customer Registration Card - Tarjeta de Registro del Cliente - Carte d'inscription du client

First Name - Primer Nombre - Prénom	Initial - Inicial - Initiale	Last Name - Apellido - Nom de famille

Street - Calle - Rue	PO Box - Casilla postal - Boîte postale	Apt. No. - App.

City - Ciudad - Ville	State/Province - Estado/Provincia - État/Province

ZIP/Postal Code - Código Postal - ZIP/Code postal	Country - País - Pays

E-mail Address - Dirección de E-mail - Adresse courriel	Telephone Number - No. de Teléfono - N° de téléphone

Model Name - Nombre del Modelo - Nom du modèle	Model Number (from front cover) - Número de Modelo (de la portada) - N° du modèle (page de couverture)

Date of Purchase - Fecha de Compra - Date d'achat (mm/dd/yyyy) (mm/dd/aaaa) (mm/jj/aaaa)	Place of Purchase - Comprado a - Lieu d'achat

Comments - Comentarios - Commentaires:

Mail To - Enviar por Correo a - Envoyer par courrier à:

Yardistry
375 Sligo Road West, PO Box 10
Mount Forest, Ontario, Canada, N0G 2L0
Attention: Consumer Relations
Atención a: Servicio de Atención al Cliente
À l'attention de: Service à la clientèle

Online Registration - Registro online - Enregistrement en ligne:

www.yardistrystructures.com/warranty

Hours/ Heures/ Horas: 8:30 am - 5:00 pm EST
(excl. holidays/ hors jours fériés/ excepto los días festivos)

English and French Spoken / Anglais et français parlés / Inglés y francés hablado

Yardistry would like to say "Thank you" for your time and feedback.

Yardistry quiere "Agradecerle" por su tiempo y su opinión.

Yardistry aimerait vous remercier d'avoir pris le temps de répondre au sondage.