

6.7 ft x 7.8 ft MERIDIAN GREENHOUSE

Installation and Operating Instructions – YM11945



HEIGHT:
2.36m / 7' 9"

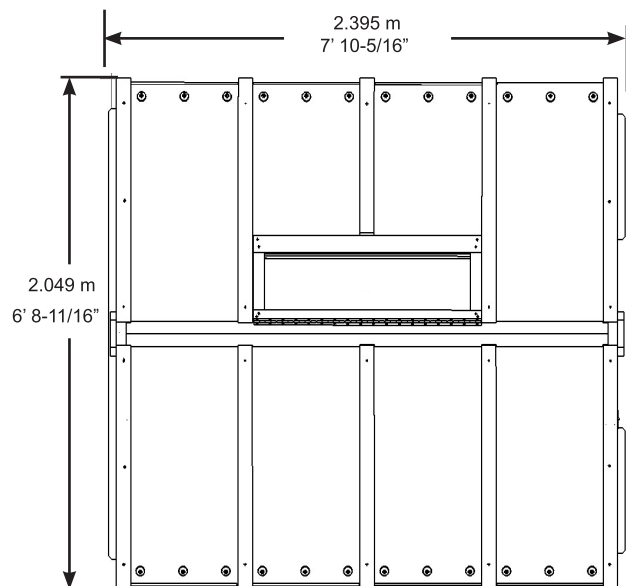
IMPORTANT, RETAIN FOR FUTURE REFERENCE: READ CAREFULLY

07-29-2022

**YARDISTRY®**

Yardistry – North America
Toll Free Customer Support:
1.888.509.4382
info@yardistrystructures.com
www.yardistrystructures.com

Patents Pending



Important Safety Notice!

Yardistry components are intended for privacy, decorative and ornamental use only.

Product is NOT INTENDED for the following:

- A safety barrier to prevent unsupervised access to pools, hot tubs, spas or ponds.
- As load bearing support for a building, structure, heavy objects or swings.
- Used in structures that trap wind, rain or snow that would create extra load on the product.

DO NOT climb or walk on roof for any reason.

Permanent structures may require a building permit. As the purchaser and or installer of this product you are advised to consult local planning, zoning and building inspection departments for guidance on applicable building codes and/or zoning requirements.

Wood is NOT flame retardant and will burn. Grills, fire pits and chimineas are a fire hazard if placed too close to a Yardistry structure. Consult user's manual of the grill, fire pit or chiminea for safe distances from combustible materials.

Wear gloves to avoid injury from possible sharp edges of individual elements before assembly.

During installation, follow all safety warnings provided with your tools and use OSHA approved safety glasses. Some structures may require two or more people to install safely.

Check for underground utilities before digging or driving stakes into the ground!

During assembly it is important to closely follow the instructions. Complete the assembly on a solid, level surface and follow the instructions to square up, level and anchor the structure. This will reduce the gaps at wood connections during assembly.

General Information

General Information: Wood components are manufactured with Cedar (C. Lanceolata) which is protected with factory applied water-based stain. Knots, small checks (cracks) and weathering are naturally occurring and do not affect the strength of the product. Annual application of a water-based water repellent sealant or stain is important and will help reduce weathering and checks.

www.yardistrystructures.com

Questions?

Call toll free or write us at:

1 (888) 509-4382

support@yardistrystructures.com

Patents Pending

Limited Warranty

Yardistry warrants that this product is free from defect in materials and workmanship for a period of one (1) year from the original date of purchase. In addition, for any product with lumber, all lumber is warranted for five (5) years against rot and decay. Polycarbonate panels are warranted for five (5) years against defect in materials and workmanship. This warranty applies to the original owner and registrant and is non-transferable.

Regular maintenance is required to assure the integrity of your product and is a requirement of the warranty. This warranty does not cover any inspection costs.

This Limited Warranty does not cover:

- Labour for replacement of any defective item(s);
- Incidental or consequential damages;
- Cosmetic defects which do not affect performance or integrity;
- Vandalism; improper use or installation; acts of nature, including but not limited to wind, storms, hail, floods, excessive water exposure;
- Minor twisting, warping, checking or any other natural occurring properties of wood that do not affect performance or integrity.

Yardistry products have been designed for safety and quality. Any modifications made to the original product could damage the structural integrity of the product leading to failure and possible injury. Yardistry cannot assume any responsibility for modified products. Furthermore, modification voids any and all warranties.

This product is warranted for RESIDENTIAL USE ONLY. Yardistry disclaims all other representations and warranties of any kind, express or implied.

This Warranty gives you specific legal rights. You may have other rights as well which vary from state to state or province to province. This warranty excludes all consequential damages, however, some states/provinces do not allow the limitation or exclusion of consequential damages, and therefore this limitation may not apply to you.

Instructions for Proper Maintenance

Your Yardistry structure is designed and constructed of quality materials. As with all outdoor products it will weather and wear. To maximize the enjoyment, safety and life of your structure it is important that you, the owner, properly maintain it.

HARDWARE:

- Check metal parts for rust. If found, sand and repaint using a non-lead paint complying with 16 CFR 1303.
- Inspect and tighten all hardware after completion of assembly; after first month of use; and then annually. Do not over-tighten as to cause crushing and splintering of wood.
- Check for sharp edges or protruding screw threads, add washers if required.

WOOD PARTS:

- Applying a water repellent or stain (water-based) on a yearly basis is important maintenance to maintain maximum life and performance of the product.
- Check all wood members for deterioration, structural damage and splintering. Sand down splinters and replace deteriorated wood members. As with all wood, some checking and small cracks in grain is normal
- Some gapping may occur at some wood connections.

POLY CARBONATE PANELS:

- Clean panels with mild soap and water using a soft cloth or sponge.
- Inspect silicone seal around each panel for separation. Reapply silicone seal as needed.

SINGLE SPRING ALUMINUM WINDOW OPENER:

- At the end of the warm weather season the cylinder must be removed from the greenhouse and stored in a dry place.
- Check pin is secure
- Lubricate the cylinder before re-installing each time.

Assembly Guides

Tools Required:

- | | | |
|------------------------------|------------------|------------------|
| • Tape Measure | • Hard Hat | • 6' Step Ladder |
| • Carpenters Level | • Safety Glasses | • Square |
| • Standard or Cordless Drill | • Adult Helper | • Caulking Gun |
| • Claw Hammer | • Safety Gloves | |

Symbols:

Throughout these instructions symbols are provided in the top, right-hand corner of the page.



- Use Help, where this is shown, 2, 3 or 4 people are required to safely complete this step. To avoid injury or damage to the assembly make sure to get some help.



- Use a measuring tape to assure proper location



- Pre-drill a pilot hole before fastening screw or lag to prevent splitting of wood.

If you dispose of your Yardistry structure: Please disassemble and dispose of your unit so that it does not create any unreasonable hazards at the time it is discarded. Be sure to follow your local waste ordinances.

Assembly Tips

Following are some helpful tips to make the assembly process smooth and efficient.

PRE-ASSEMBLIES:

- Work on a raised, solid and flat surface such as, a table or saw horse.
- Keep all connections flush where shown in the instructions.
- When assembling, keep parts flat, straight and snug when connecting.

POLY CARBONATE PARTS:

- Material may have sharp edges, wear safety gloves.
- Remove all plastic covering, on both sides of the poly carbonate panels, directly before installing each piece.
- Place poly carbonate parts on a non-abrasive surface before and after assembly as it can bend, dent and scratch easily.
- When standing on the outside of the unit, the notch in the poly carbonate panel needs to be on the bottom right-hand side.
- Remove protective film immediately before installing panels.

TAPE:

- Do not substitute tape.
- Tape should be applied in temperatures above 10°C (50°F).

SINGLE SPRING ALUMINUM WINDOW OPENER:

- Before installing, place black cylinder in the refrigerator for approximately 5-7 minutes or until cylinder rod has fully retracted.
- Automatic ventilation will not occur in temperatures above 50°C (122°F).
- The Aluminum Single Spring Window Opener is designed to automatically open and close with changes in temperature. It must not be opened or closed manually. Doing so will result in damage to the component

GUIDE SPACERS:

- Included to help align grooves in wood parts to properly install poly carbonate panels.

WINTER AND HIGH WIND PREPARATION:

- Any accumulated snow must be removed from roof.

Sealant Application Tips, Warning and First Aid Information

SEALANT:

- All surfaces to be clean, dry, dust and grease free before application with temperatures above 5°C (41°F), no warmer than 35°C (95°F).
- Cut tip off sealant tube, attach supplied nozzle and use a caulking gun to apply small beads. See below images.
- Apply sealant in small beads and smooth as required.
- To smooth sealant into the joint use a glove covered finger, putty knife, etc. Smooth sealant to create a continuous water-tight seal.
- Clean excess with a cloth or paper towel before it skins over.
- An initial bond will set in approximately 20 minutes and fully set in 24 hours.

WARNING:

- CAUSES SERIOUS EYE AND SKIN IRRITATION. Always wear safety glasses and rubber gloves when using product.
- KEEP OUT OF REACH OF CHILDREN.
- Prolonged or repeated exposure MAY CAUSE ORGAN DAMAGE. Provide ample ventilation.

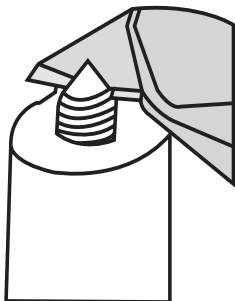
FIRST AID:

- If ingested, DO NOT INDUCE VOMITING. Seek immediate medical attention.
- Eye contact: immediately flush eyes with water for at least 15 minutes. Remove contact lenses if present.
- Skin contact; wash thoroughly with soap and water. If eye/skin irritation persists or respiratory symptoms occur or develop, seek medical attention.

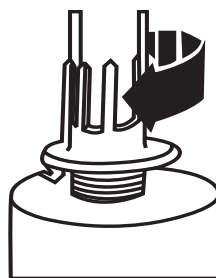
Use of this product can expose you to chemicals including Methanol, which is known to the State of California to cause birth defects and other reproductive harm. For more information, go to www.P65Warnings.ca.gov.

Dispose of contents and container in accordance with local regulations.

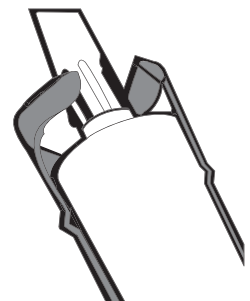
Step 1: Cut off tip of tube



Step 2: Attached supplied nozzle



Step 3: Put tube in caulking gun



Structure Location Preparation

Note: It is critically important you start with square, solid and level base to attach your Greenhouse.

The hardware to mount the structure permanently will need to be purchased separately at your local hardware store.

Before preparing your surface for the structure please double check for possibility of any underground utilities such as gas, telephone, cable or sprinkler lines.

Choose a level piece of land with good drainage and lots of sunlight. Ensure it is easy to get around for essential cleaning and maintainance.

Remove any sod, grass, weeds, etc. from the area. Start with a packed and level dirt floor.

The recommended area for site preparation is 92" L x 75-1/2" W (2.337m L x 1.918m W) for this structure.

Refer to your local building and city codes, ordinances, neighbourhood covenants, or height restrictions regarding this type of structure for guidance on acceptable installation requirements.

Following are some examples of how to prepare the location for the structure.

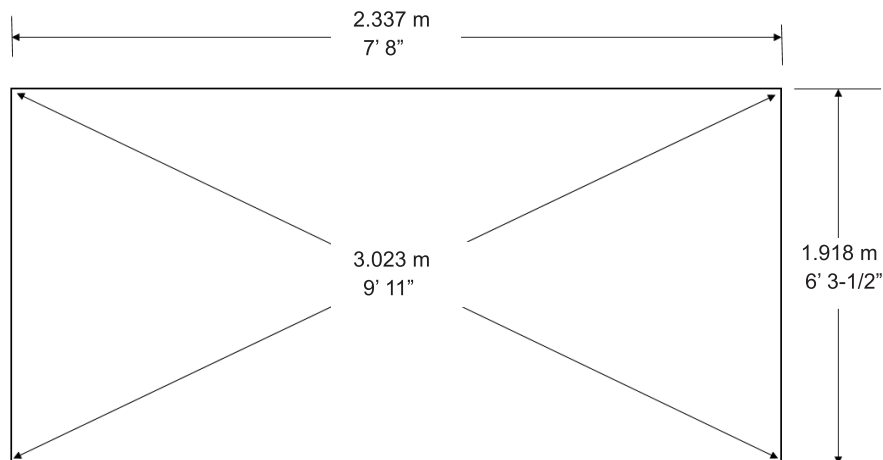
If you are using a soft, natural base, the following will be needed:

- Sand
- Landscape fabric
- 4 x 4 treated lumber for the base of the structure
- Hardware for attaching lumber together
- Hardware for mounting the structure to the lumber base
- Gravel
- Tie down kit

If you are using a concrete foundation, the following will be needed:

- Hardware for mounting the structure to the concrete base

Use the following dimensions for the concrete foundation.



Part Identification (Dimensions are approximate and are shown to assist in the identification of parts for assembly. Actual dimensions may be smaller or larger.)

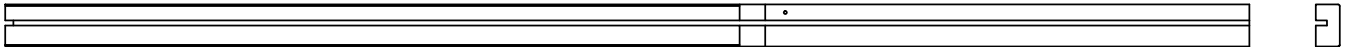
2pc. (1108) - Left Post 66.7 x 76.2 x 1835.2mm (72-1/4") Y50131-1108



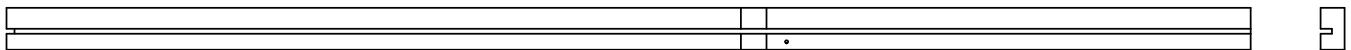
2pc. (1109) - Right Post 66.7 x 76.2 x 1835.2mm (72-1/4") Y50131-1109



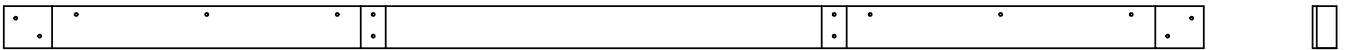
1pc. (1111) - Left Door Post 38.1 x 66.7 x 1974.9mm (77-3/4") Y50131-1111



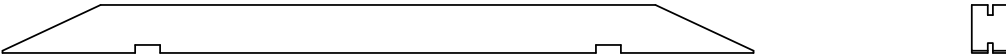
1pc. (1112) - Right Door Post 38.1 x 66.7 x 1974.9mm (77-3/4") Y50131-1112



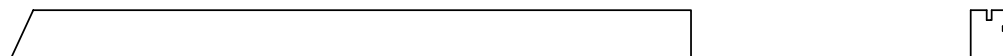
1pc. (1119) - Front Base 38.1 x 66.7 x 1905mm (75") Y50131-1119



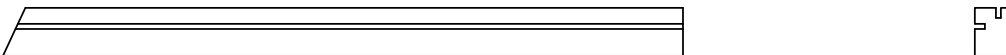
1pc. (1143) - Front Gable Beam 66.7 x 76.2 x 1192.2mm (46-15/16") Y50131-1143



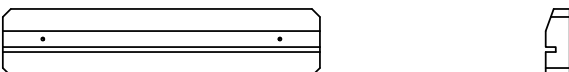
2pc. (1116) - Left Roof Rafter 66.7 x 76.2 x 1079.5mm (42-1/2") Y50131-1116



2pc. (1115) - Right Roof Rafter 66.7 x 76.2 x 1079.5mm (42-1/2") Y50131-1115



2pc. (1105) - Front Wall Sill 38.1 x 101.6 x 503.4mm (19-13/16") Y50131-1105



2pc. (1184) - Peak Spacer 73 x 152.4 x 177.8mm (7") Y70131-1184

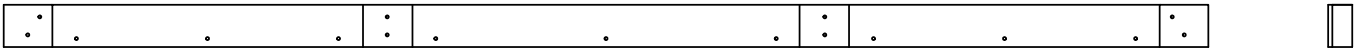


Part Identification (Dimensions are approximate and are shown to assist in the identification of parts for assembly. Actual dimensions may be smaller or larger.)

2pc. (1113) - Back Post 76.2 x 66.7 x 1974.9mm (77-3/4") Y50131-1113



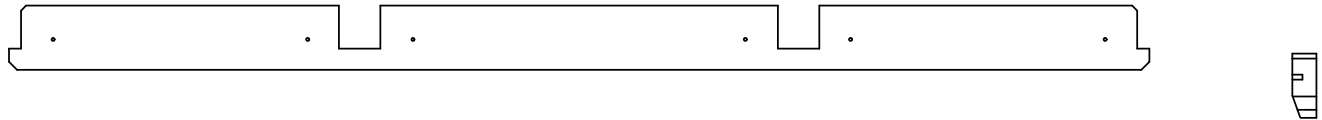
1pc. (1120) - Back Base 38.1 x 66.7 x 1905mm (75") Y50131-1120



1pc. (1117) - Back Gable Beam 66.7 x 76.2 x 1192.2mm (46-15/16") Y50131-1117



1pc. (1106) - Back Wall Sill 38.1 x 101.6 x 1803.4mm (71") Y50131-1106



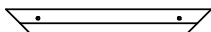
2pc. (1122) - Upright Outside 25.4 x 101.6 x 177.8mm (7") Y50131-1122



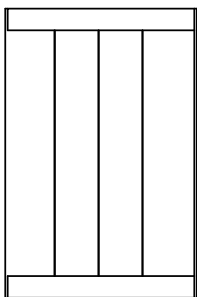
2pc. (1121) - Upright Inside 34.9 x 101.6 x 177.8mm (7") Y50131-1121



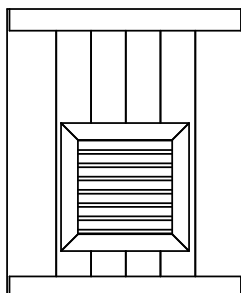
4pc. (1136) - Inside Vent Trim 38.1 x 38.1 x 324.8mm (12-3/4") Y50131-1136



4pc. (1147) - F/B Panel 41.3 x 504.8 x 762mm (30") Y70131-1147

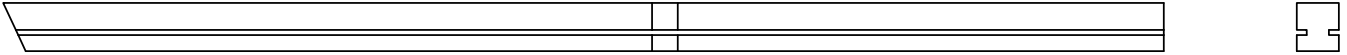


1pc. (1155) - Vent Wall Panel 57.2 x 622.7 x 762mm (30") Y70131-1155

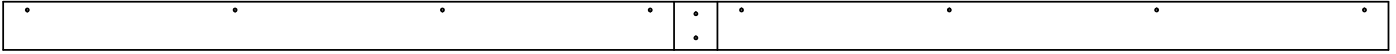


Part Identification (Dimensions are approximate and are shown to assist in the identification of parts for assembly. Actual dimensions may be smaller or larger.)

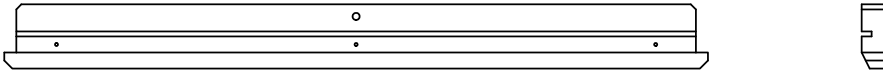
2pc. (1110) - Mid Post 66.7 x 76.2 x 1835.2mm (72-1/4") **Y50131-1110**



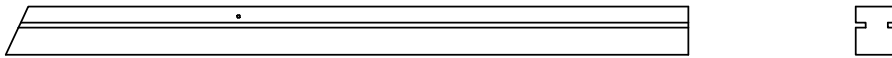
2pc. (1118) - Side Base 38.1 x 76.2 x 2190.8mm (86-1/4") **Y50131-1118**



4pc. (1107) - Side Wall Sill 38.1 x 101.6 x 1112.8mm (43-13/16") **Y50131-1107**



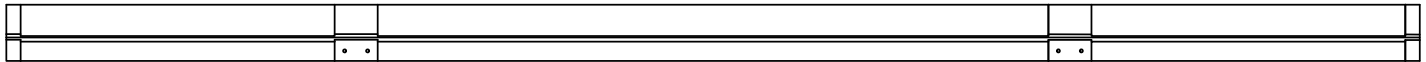
5pc. (1114) - Middle Roof Rafter 66.7 x 76.2 x 1079.5mm (42-1/2") **Y50131-1114**



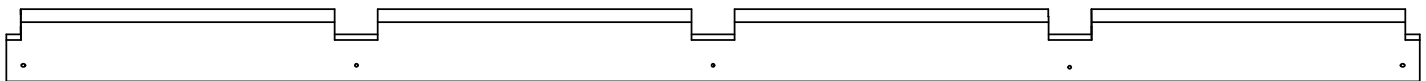
1pc. (1123) - Roof Peak 50.8 x 88.9 x 2235.2mm (88") **Y70131-1123**



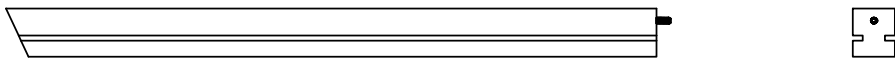
1pc. (1124) - Vent Roof Peak 50.8 x 88.9 x 2235.2mm (88") **Y70131-1124**



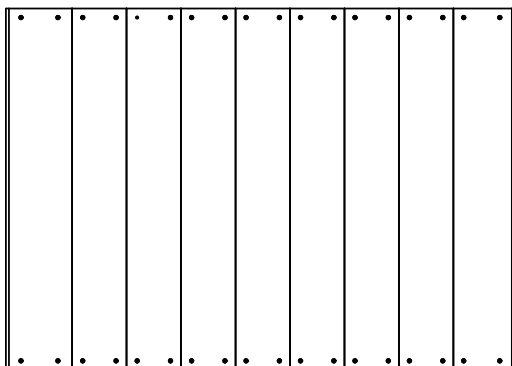
2pc. (1125) - Side Wall Top 44.5 x 114.3 x 2235.2mm (88") **Y70131-1125**



4pc. (1144) - Short Post Assembly 66.7 x 76.2 x 1047.8mm (41-1/4") **Y70131-1144**



4pc. (1152) - Side Wall Panel 41.3 x 1073.2 x 762mm (30") **Y70131-1152**

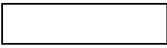


Part Identification (Dimensions are approximate and are shown to assist in the identification of parts for assembly. Actual dimensions may be smaller or larger.)

1pc. (1187) - Vent Roof Panel Block 15.9 x 34.9 x 1003.3mm (39-1/2") Y50131-1187



2pc. (1188) - Guide Spacer 7 x 63.5 x 262mm (10-5/16") Y50000-1188

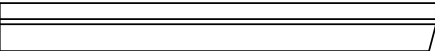


This part is used to assist with assembly

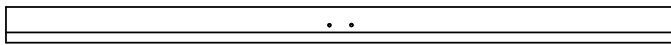
2pc. (1126) - Inside Vent Block 25.4 x 44.5 x 328mm (12-15/16") Y50131-1126



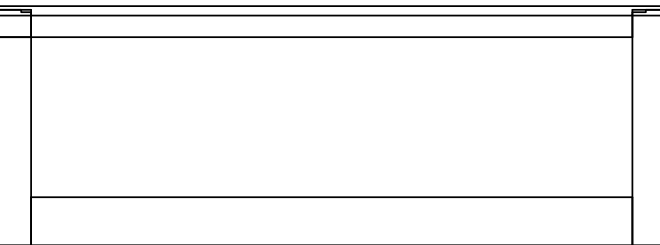
1pc. (1127) - Vent Roof Rafter 66.7 x 76.2 x 692.2mm (27-1/4") Y50131-1127



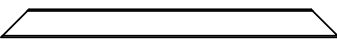
1pc. (1128) - Bottom Vent Block 38.1 x 44.5 x 1061.6mm (41-3/4") Y50131-1128



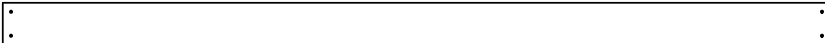
1pc. (1170) - Vent Roof Panel 31.8 x 379.4 x 1055.7mm (41-9/16") Y70131-1170



5pc. (1134) - Shelf Gusset 34.9 x 44.5 x 536.6mm (21-1/8") Y50131-1134



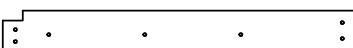
8pc. (1131) - Shelf Top 15.9 x 88.9 x 1751mm (68-15/16") Y50131-1131



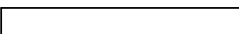
2pc. (1132) - Shelf Front 25.4 x 76.2 x 1752.6mm (69") Y50131-1132



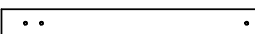
1pc. (1133) - Shelf Side 28.6 x 63.5 x 558.8mm (22") Y50131-1133



6pc. (1135) - Shelf Joist 34.9 x 44.5 x 381mm (15") Y50131-1135



2pc. (1137) - Long Shelf Joist 34.9 x 44.5 x 406.4mm (16") Y50131-1137



Part Identification (Dimensions are approximate and are shown to assist in the identification of parts for assembly. Actual dimensions may be smaller or larger.)

8pc. (1138) - Wooden Gusset 34.9 x 139.7 x 203.2mm (8") **Y50131-1138**



2pc. (1139) - Short Upper Shelf 15.9 x 101.6 x 1822.5mm (71-3/4") **Y50131-1139**



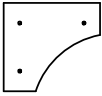
2pc. (1140) - Long Upper Shelf 15.9 x 101.6 x 1993.2mm (78-1/2") **Y50131-1140**



1pc. (1141) - Shelf Block 34.9 x 101.6 x 203.2mm (8") **Y50131-1141**



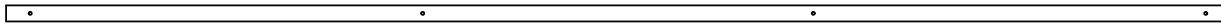
1pc. (1142) - Closer Block 34.9 x 139.7 x 152.4mm (6") **Y50131-1142**



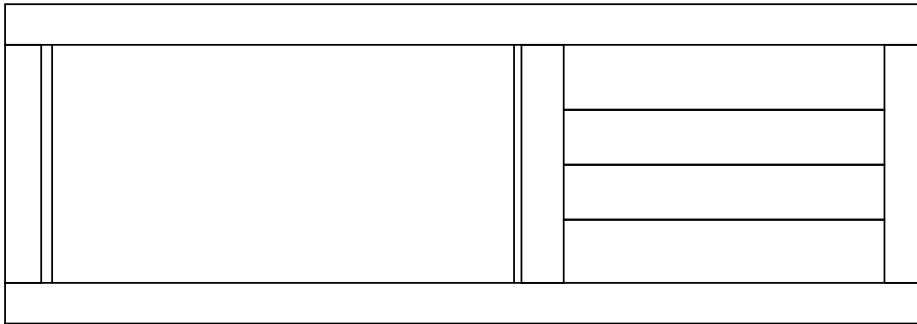
1pc. (1129) - Top Door Block 19.1 x 25.4 x 690mm (27-3/16") **Y50131-1129**



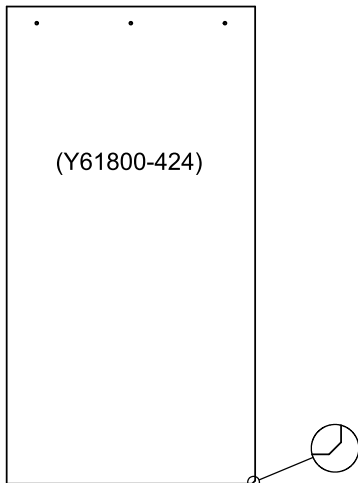
2pc. (1130) - Door Block 19.1 x 25.4 x 1935.2mm (76-3/16") **Y50131-1130**



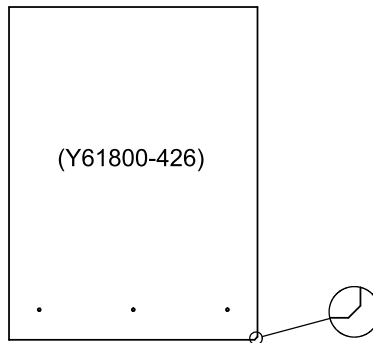
1pc. (1175) - Door Panel 38.1 x 673.1 x 1943.1mm (76-1/2") **Y70131-1175**



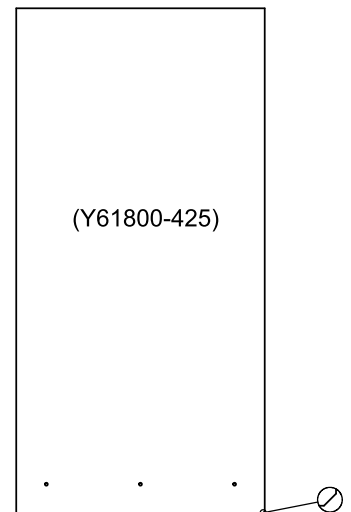
1pc. (8PK) Side Wall Panel
(Y70800-424)



1pc. (2PK) Small Roof Panel
(Y70800-426)

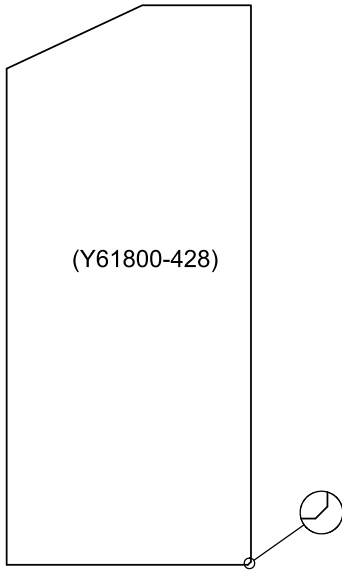


1pc. (6PK) Roof Panel
(Y70800-425)

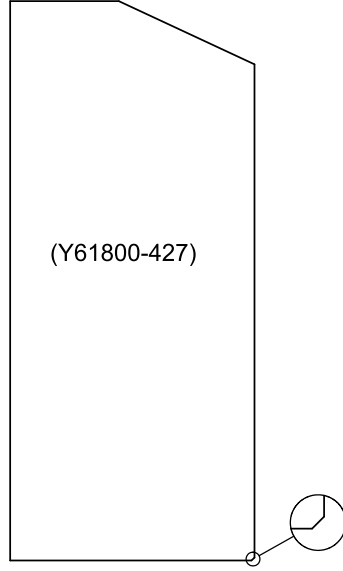


Part Identification (Dimensions are approximate and are shown to assist in the identification of parts for assembly. Actual dimensions may be smaller or larger.)

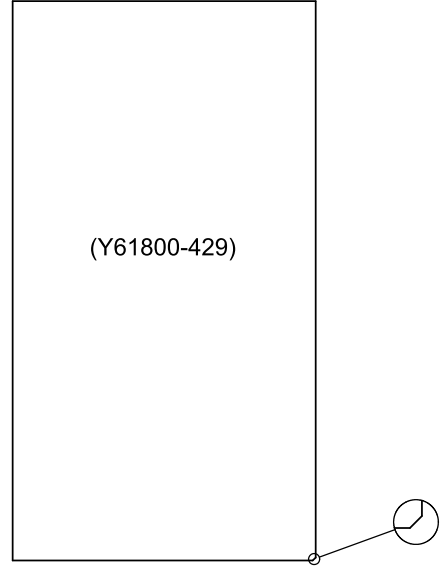
1pc. (2PK) Left F/B Side Panel
(Y70800-428)



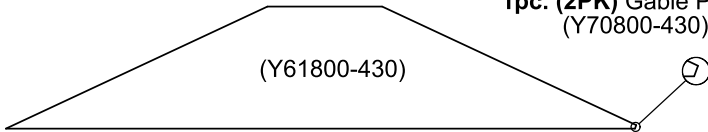
1pc. (2PK) Right F/B Side Panel
(Y70800-427)



1pc. Back Centre Panel
(Y61800-429)



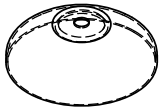
1pc. (2PK) Gable Panel
(Y70800-430)



1pc. (2PK) Anti Dust Tape Set
1-Top application 2-Bottom application
(Y70812-437)



1pc. (48PK) EPDM Washer
(Y70812-444)



1pc. (16PK) PC U Channel
(Y70800-436)



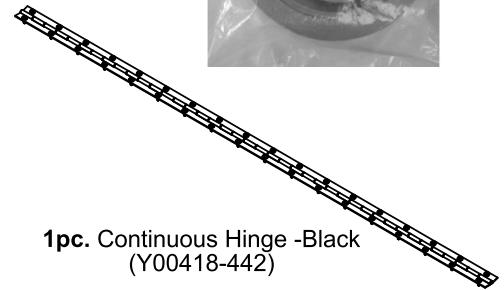
3pc. Silicone Clear - 300ml Tube
(Y90100-002)



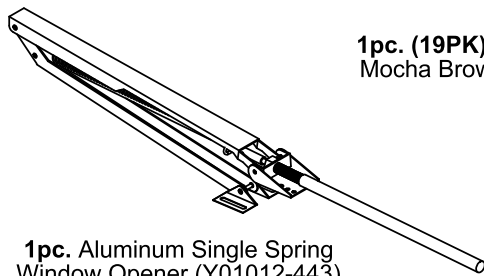
1pc. Gazebo ID Plaque
(Y70800-104)



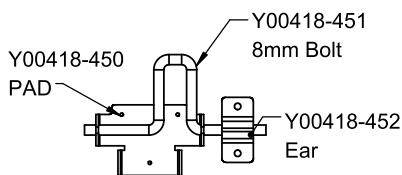
1pc. Continuous Hinge -Black
(Y00418-442)



1pc. (19PK) Corner Bracket - Mocha Brown
(Y70829-435)

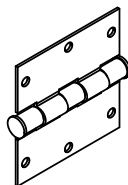


1pc. Aluminum Single Spring Window Opener
(Y01012-443)

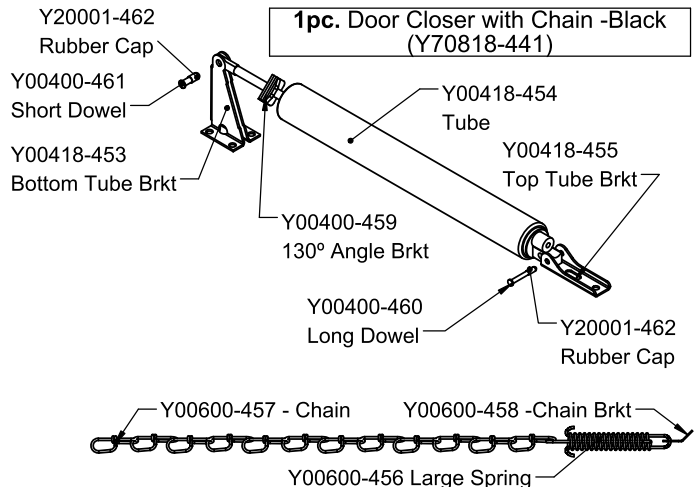


1pc. Sliding Barrel Bolt -Black
(Y70818-440)

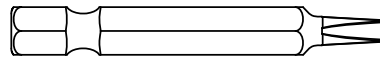
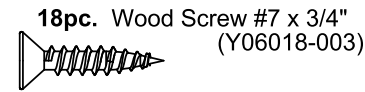
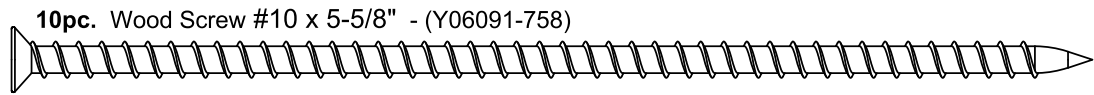
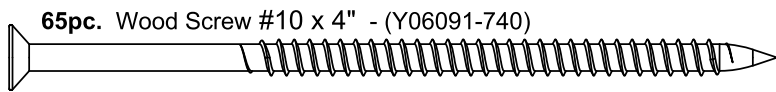
1pc. 3 inch Square Hinge-Black
3 PK (Y70818-439)



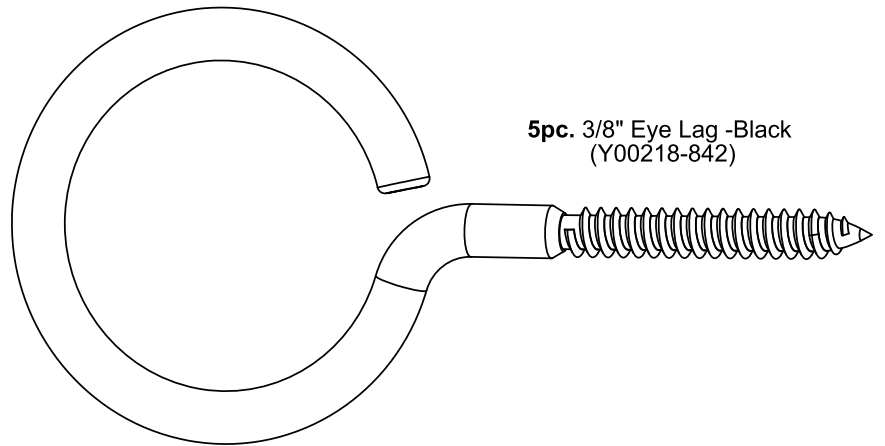
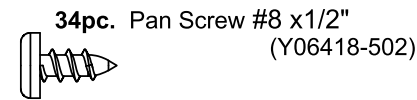
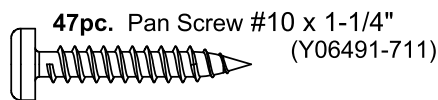
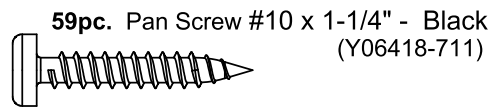
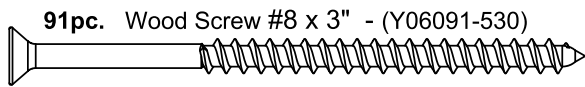
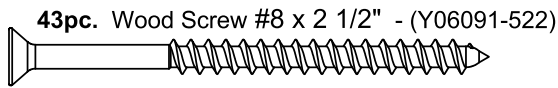
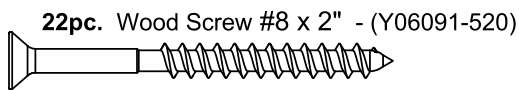
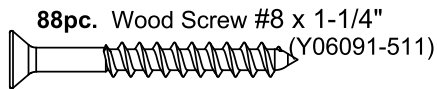
1pc. Door Closer with Chain -Black
(Y70818-441)



Hardware Identification (Dimensions are approximate and are shown to assist in the identification of parts for assembly. Actual dimensions may be smaller or larger.)

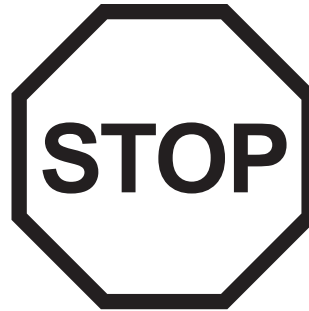
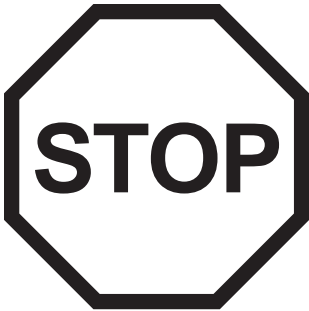


1pc. #2 x 2" Robertson Driver (Y00400-005)



5pc. 3/8" Eye Lag -Black (Y00218-842)

Step 1: Inventory Parts - Read This Before Starting Assembly



- A. This is the time for you to inventory all your hardware, wood and accessories, referencing the parts identification sheets. This will assist you with your assembly.
- Each step indicates which bolts and/or screws you will need for assembly, as well as any flat washers, lock washers, t-nuts or lock nuts.
- B. If there are any missing or damaged pieces or you need assistance with assembly please contact the consumer relations department directly. Call us before going back to the store.

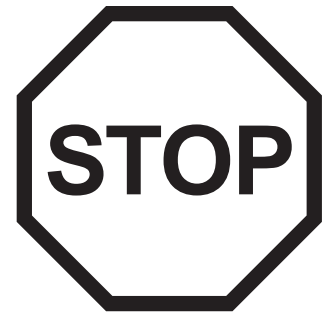
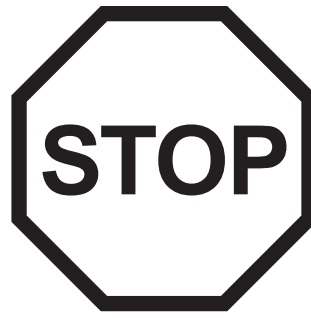
1-888-509-4382
support@yardistrystructures.com

- C. Read the assembly manual completely, paying special attention to ANSI warnings; notes; and safety/maintenance information on pages 1 - 4.
- Follow the instructions in order.
 - This structure is designed to be assembled and installed ideally by four people, DO NOT attempt to install alone.
 - Consider the slope of elevation where you plan to install the structure. Also, check for gas, telephone, other utilities or sprinkler line locations prior to excavating any holes.
- D. Before you discard your cartons fill out the form below.
- The carton I.D. stamp is located on the end of each carton.
 - Please retain this information for future reference. You will need this information if you contact the Consumer Relations Department.

PRODUCT NUMBER: YM11945

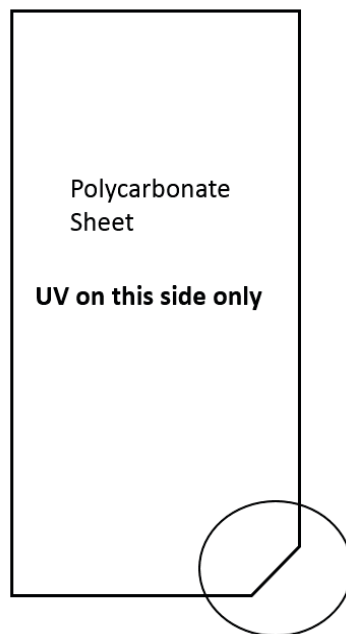
CARTON I.D. STAMP: _ _ _ _ _ (Box 1)

CARTON I.D. STAMP: _ _ _ _ _ (Box 2)

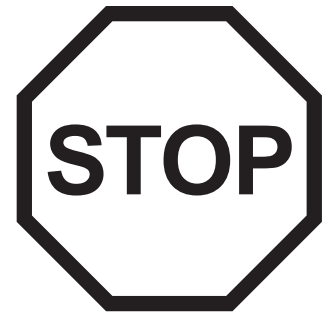
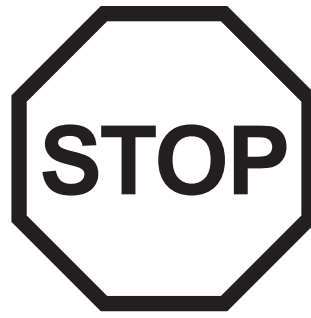


IMPORTANT! POLYCARBONATE INFORMATION

- Each polycarbonate panel has a UV coating on only ONE (1) side of the panel.
- To install properly so the UV coating is on the outside of the panel, the notch in the panel needs to be oriented to the bottom right-hand side of the assembly when on the outside facing the unit.



- Remove film immediately before installing tape to prevent damage to the panels.



IMPORTANT! ANTI-DUST TAPE INFORMATION

- Two (2) different tapes are supplied. One for the top of the panels and one for the bottom.

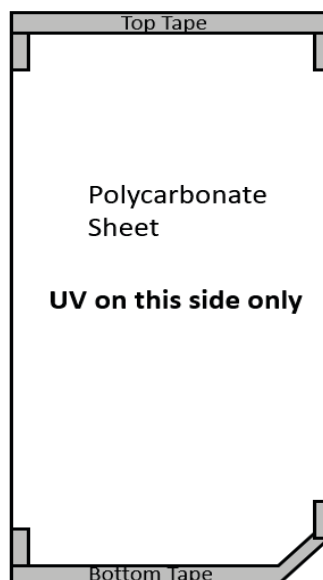
Top



Bottom

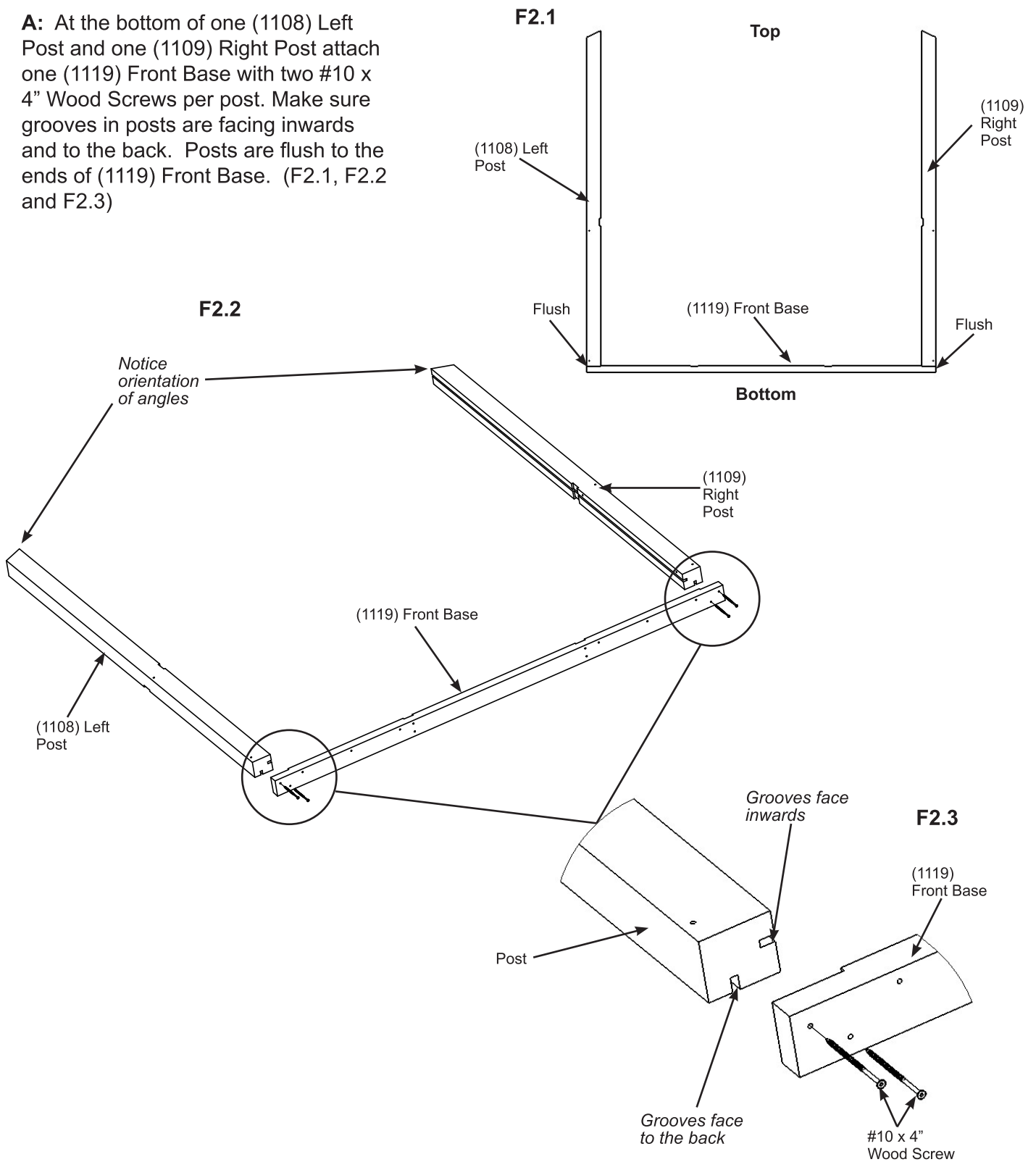


- Do NOT apply tape in direct sunlight.
- All surfaces must be clean and dry before installing the tape.
- Tape should be cut 2" (5.08 cm) longer than the width of the panel so it wraps around the corners and up the panel by 1" (2.54 cm) on each side.
- Remove the backing on the tape, centre it on the polycarbonate panel so it is equal on both sides. Fold the tape around the edges and rub gently to avoid damaging the tape.



Step 2: Front Wall Assembly Part 1

A: At the bottom of one (1108) Left Post and one (1109) Right Post attach one (1119) Front Base with two #10 x 4" Wood Screws per post. Make sure grooves in posts are facing inwards and to the back. Posts are flush to the ends of (1119) Front Base. (F2.1, F2.2 and F2.3)



Wood Parts

- 1 x (1108) Left Post
- 1 x (1109) Right Post
- 1 x (1119) Front Base

Hardware

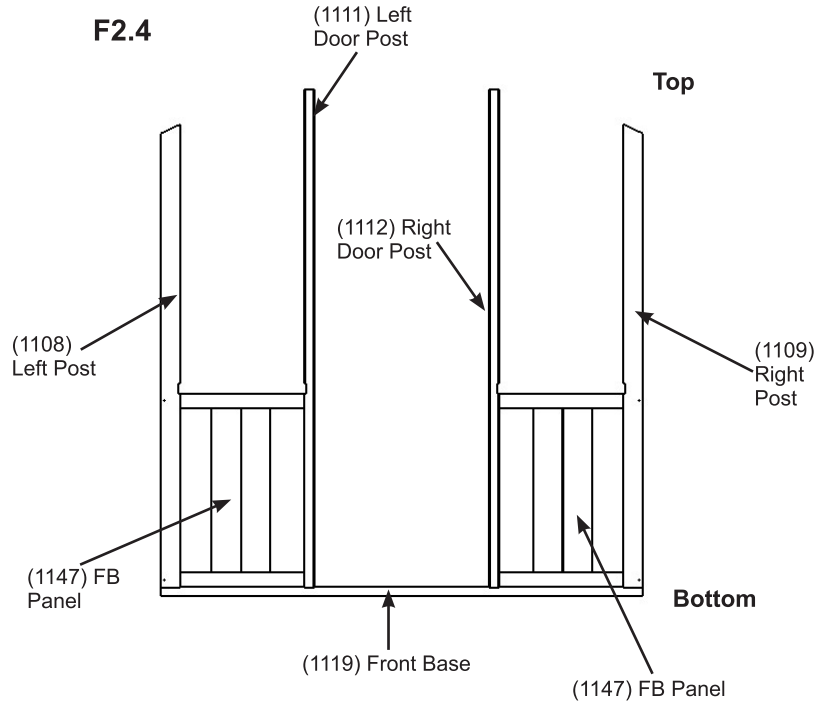
- 4 x #10 x 4" Wood Screw

Step 2: Front Wall Assembly Part 2

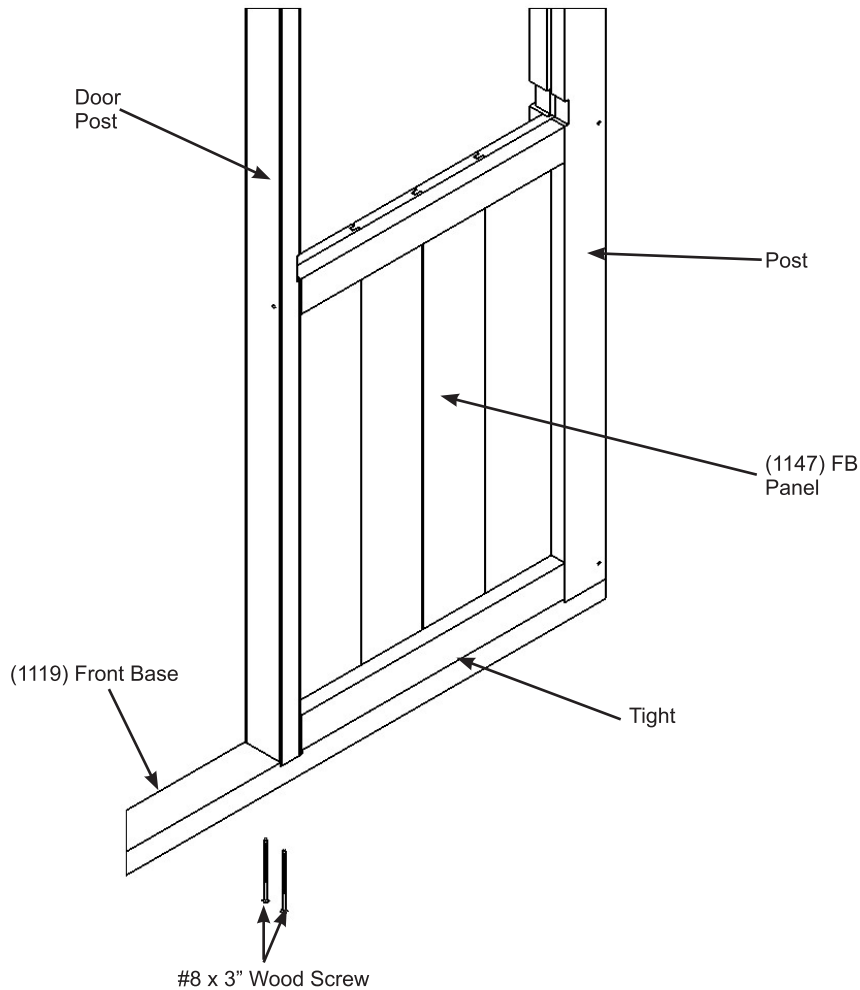
B: In the grooves of each post slide one (1147) FB Panel down so they rest tight to the top of the (1119) Front Base. (F2.4)

C: Place one (1111) Left Door Post and one (1112) Right Door Post tight to each (1147) FB Panel then attach to (1119) Front Base with two #8 x 3" Wood Screws per post. (F2.4 and F2.5)

F2.4



F2.5



Wood Parts

- 1 x (1111) Left Door Post
- 1 x (1112) Right Door Post
- 2 x (1147) FB Panel

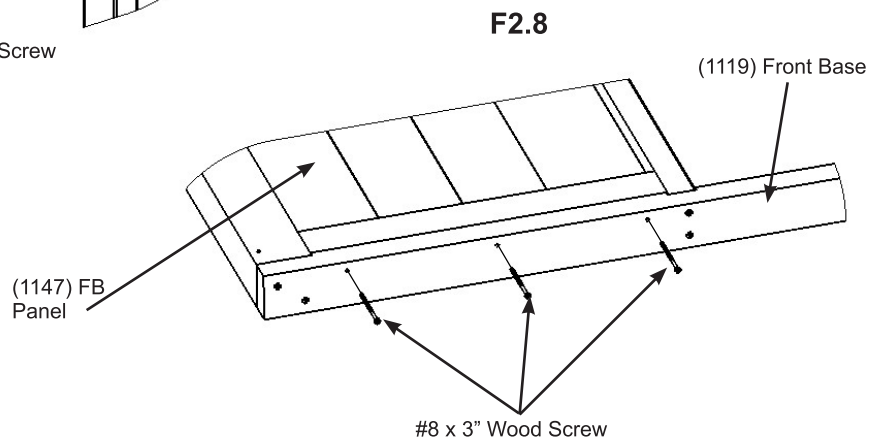
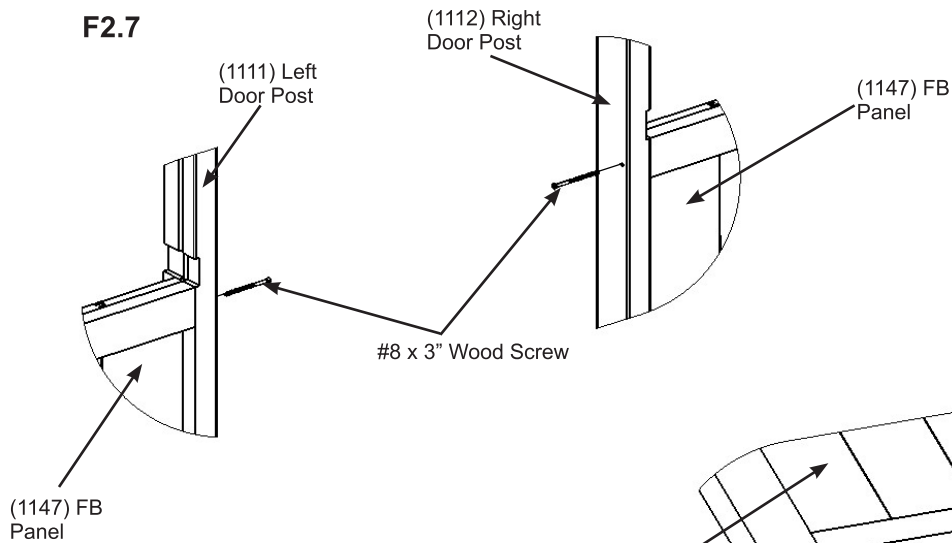
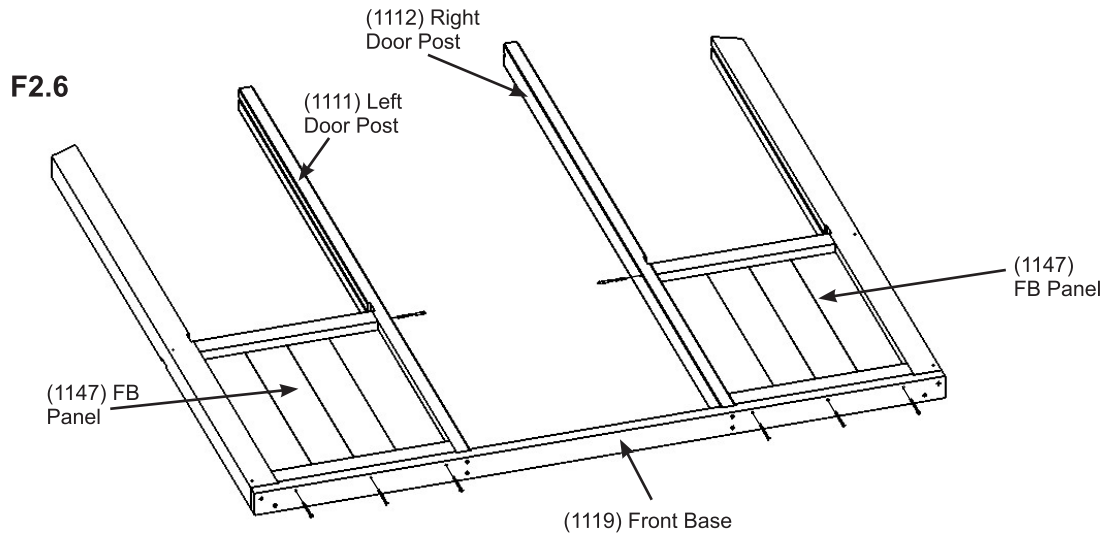
Hardware

- 4 x #8 x 3" Wood Screw

Step 2: Front Wall Assembly Part 3

D: Attach (1111) Left Door Post and (1112) Right Door Post to (1147) FB Panel with one #8 x 3" Wood Screw per post. (F2.6 and F2.7)

E: Attach (1119) Front Base to (1147) FB Panels with three #8 x 3" Wood Screws per panel. (F2.6 and F2.8)

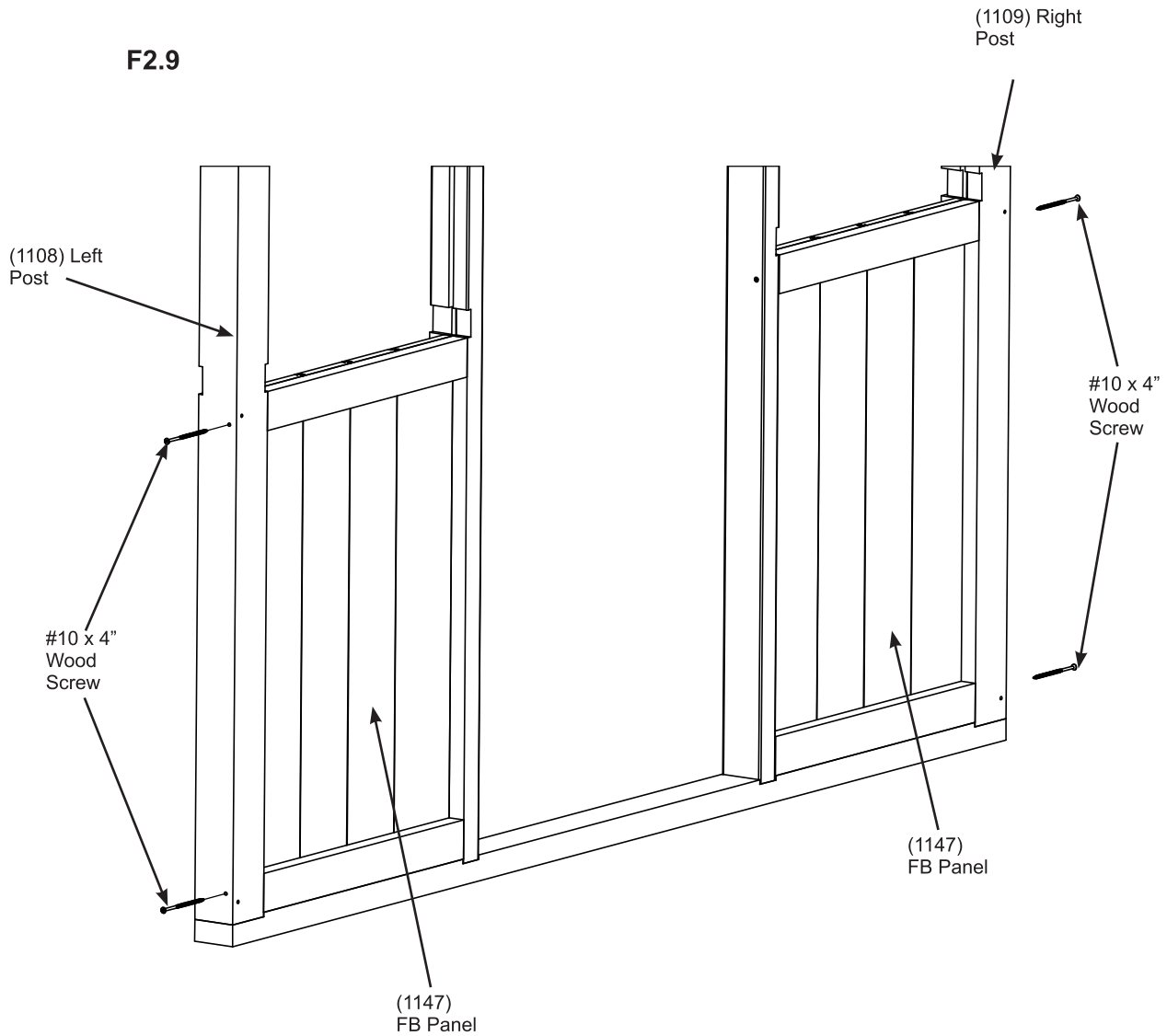


Hardware

8 x #8 x 3" Wood Screw

Step 2: Front Wall Assembly Part 4

F: Attach (1108) Left Post and (1109) Right Post to top and bottom of (1147) FB Panel with two #10 x 4" Wood Screws per post. (F2.9)



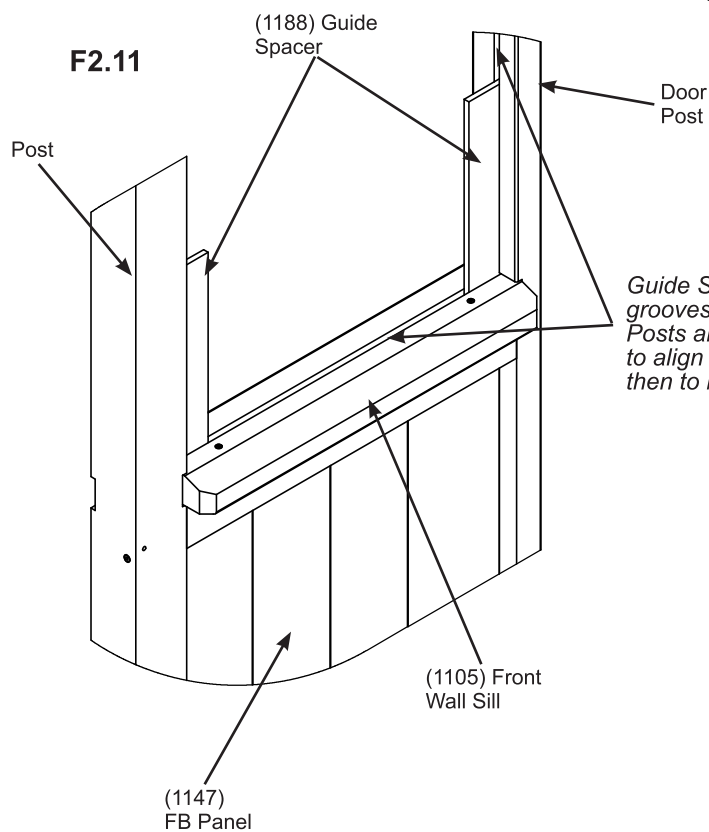
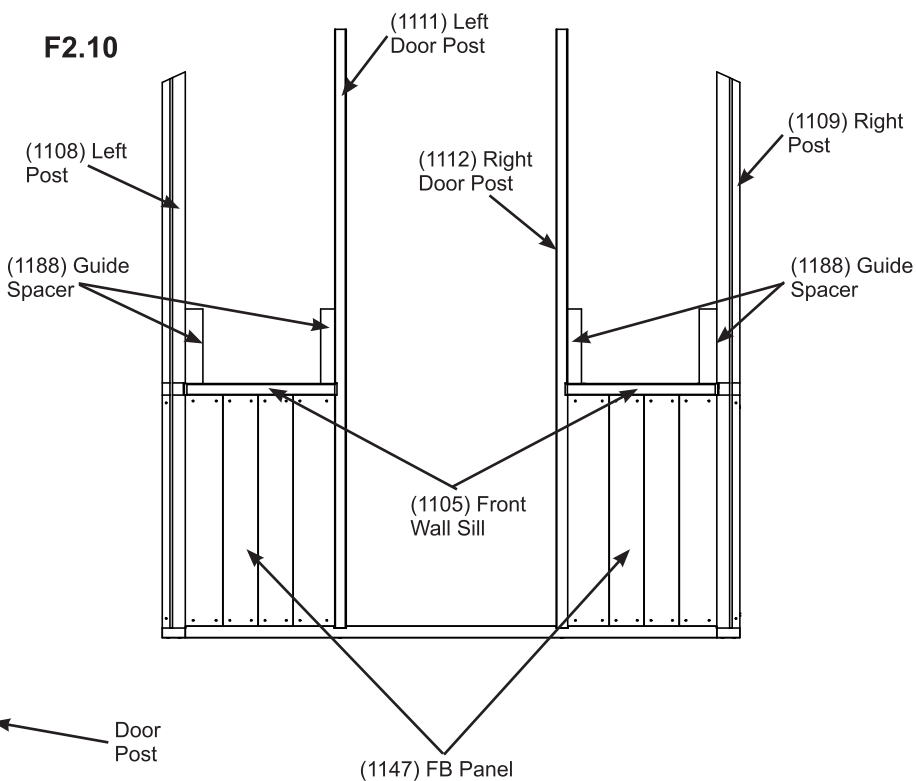
Hardware

4 x #10 x 4" Wood Screw

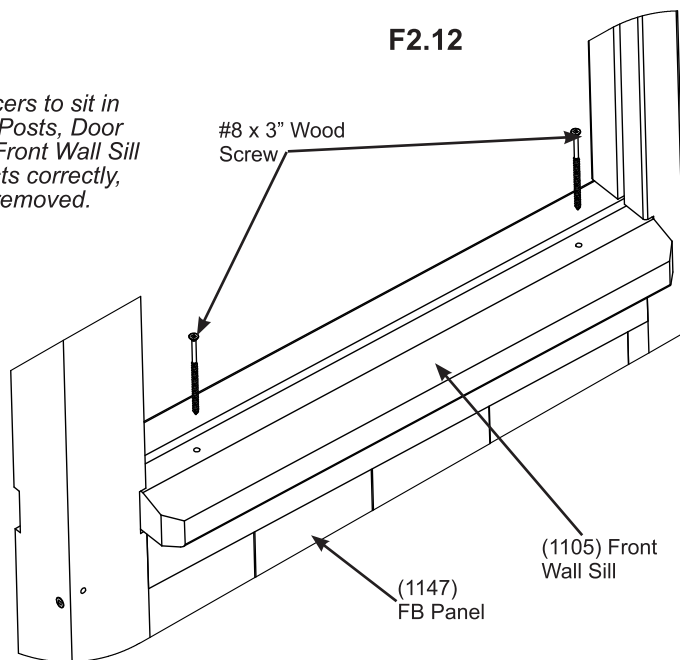
Step 2: Front Wall Assembly

Part 5

G: Place one (1105) Front Wall Sill on top of each (1147) FB Panel. Use one (1188) Guide Spacer in the grooves of each post and (1105) Front Wall Sill to line up Posts with Door Posts. Attach (1105) Front Wall Sills to (1147) FB Panels with two #8 x 3" Wood Screws per panel. Remove (1188) Guide Spacers. (F2.10, F2.11 and F2.12)



Guide Spacers to sit in grooves of Posts, Door Posts and Front Wall Sill to align posts correctly, then to be removed.



Wood Parts

2 x (1105) Front Wall Sill

Hardware

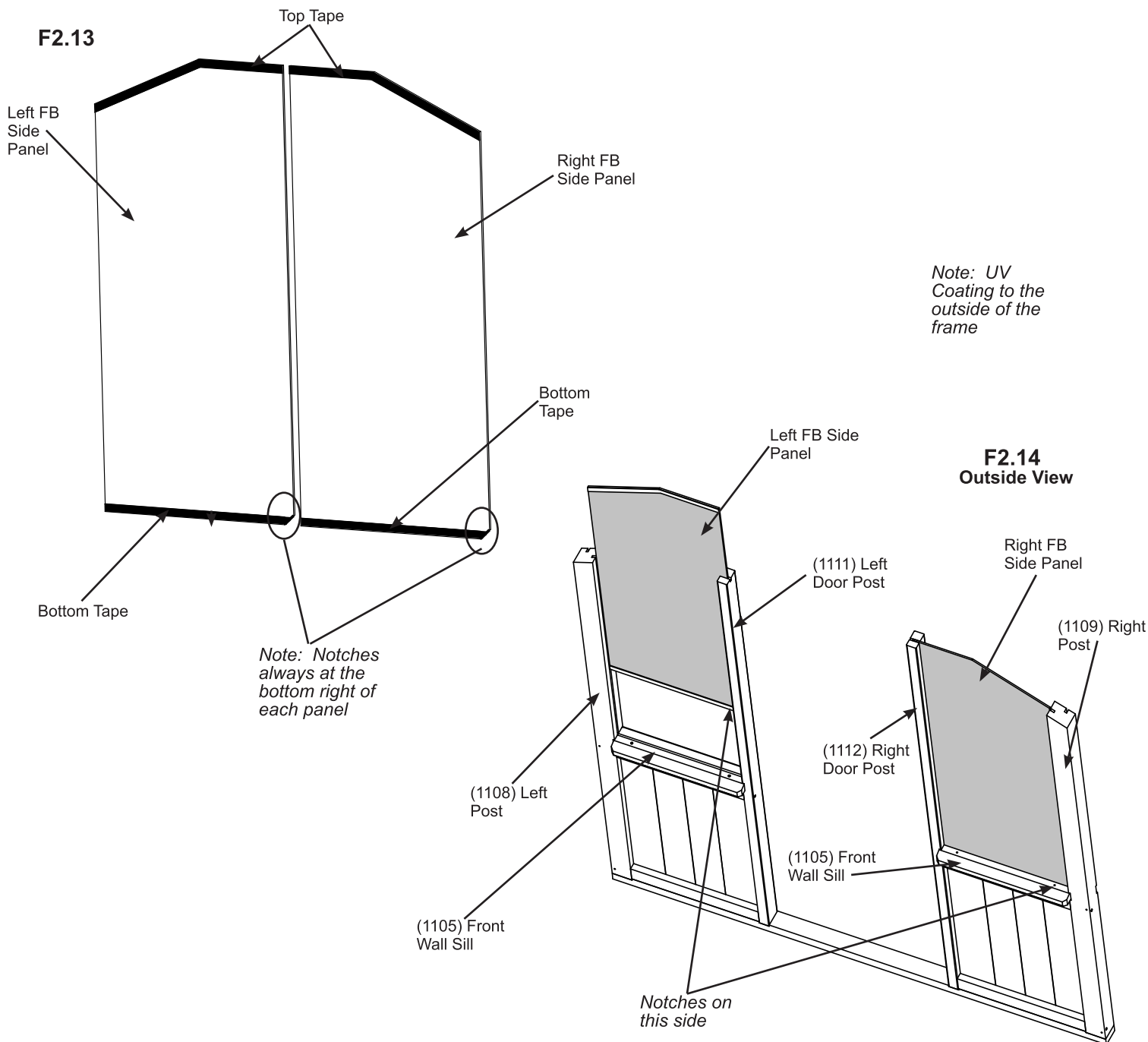
4 x #8 x 3" Wood Screw

Step 2: Front Wall Assembly Part 6

Remove film from both sides of Left FB Side Panel and Right FB Side Panel.

H: Refer to pages 16 and 17 and apply top and bottom tape to Left FB Side Panel and Right FB Side Panel.

I: In the grooves of Posts and Door Posts slide Left FB Side Panel and Right FB Side Panel down so they rest in the grooves of (1105) Front Wall Sill. Make sure the notch at the bottom is always on the right side of the panel. The UV coated side must be to the outside of the frame. (F2.13 and F2.14)



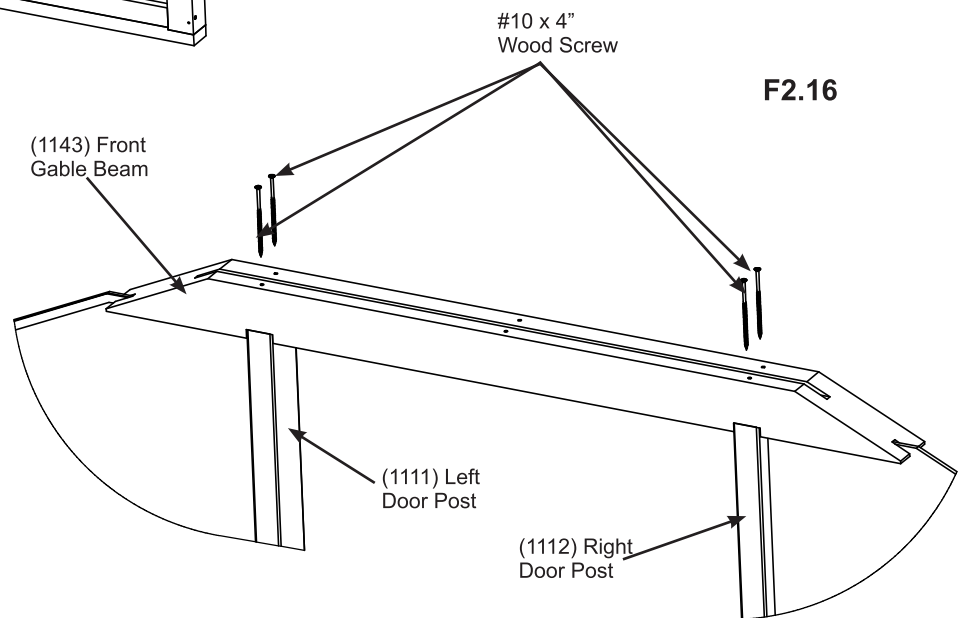
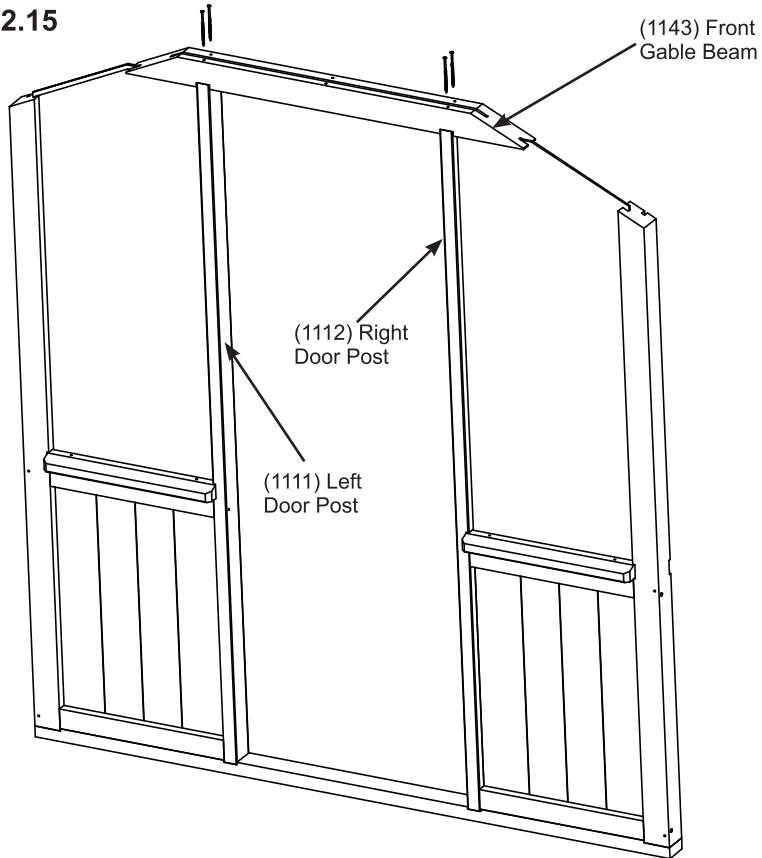
Components

- 1 x Left FB Side Panel
- 1 x Right FB Side Panel
- Top Tape
- Bottom Tape

Step 2: Front Wall Assembly Part 7

J: Place (1143) Front Gable Beam on top of (1111) Left Door Post and (1112) Right Door Post so notches on the bottom fit over the posts then attach with two #10 x 4" Wood Screws per post. (F2.15 and F2.16)

F2.15



Wood Parts

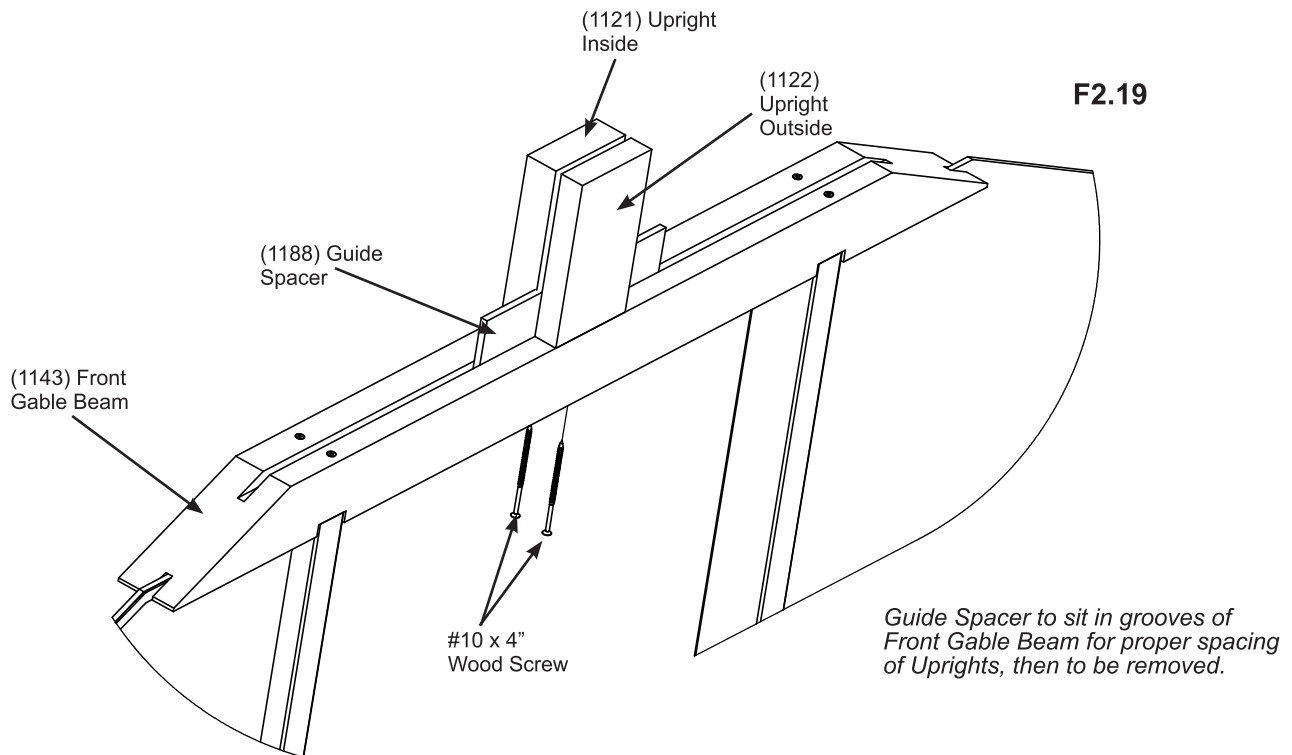
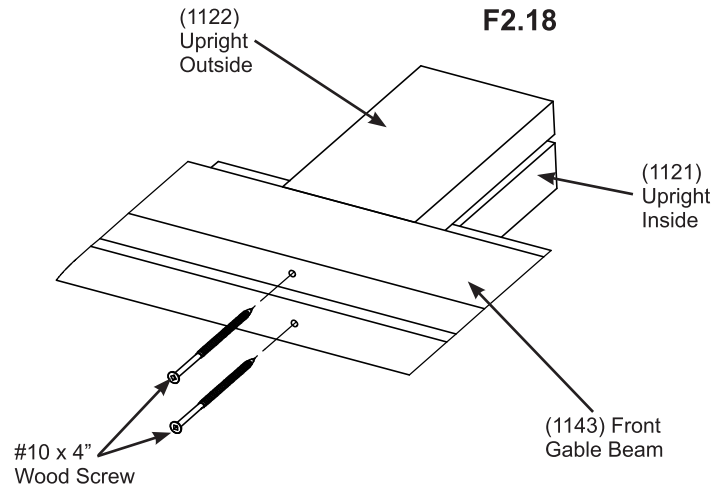
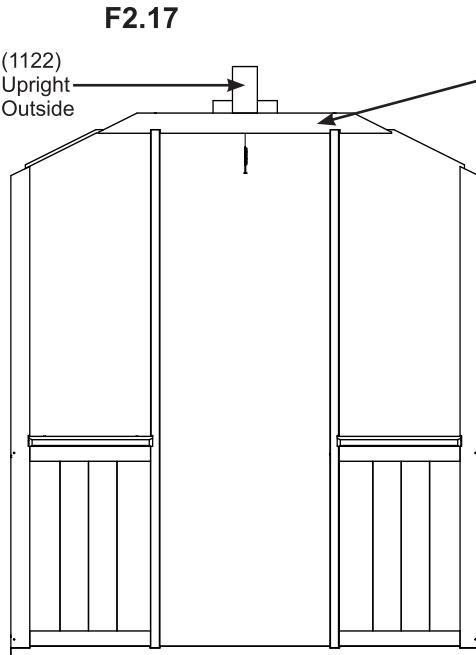
1 x (1143) Front Gable Beam

Hardware

4 x #10 x 4" Wood Screw

Step 2: Front Wall Assembly Part 8

K: Place one (1121) Upright Inside and one (1122) Upright Outside centred on the top of (1143) Front Gable Beam. Use one (1188) Guide Spacer in the grooves of (1143) Front Gable Beam for proper spacing of Uprights. Attach Beam to Uprights with one #10 x 4" Wood Screw per upright. Remove (1188) Guide Spacer. (F2.17, F2.18 and F2.19)



Wood Parts

- 1 x (1121) Upright Inside
- 1 x (1122) Upright Outside

Hardware

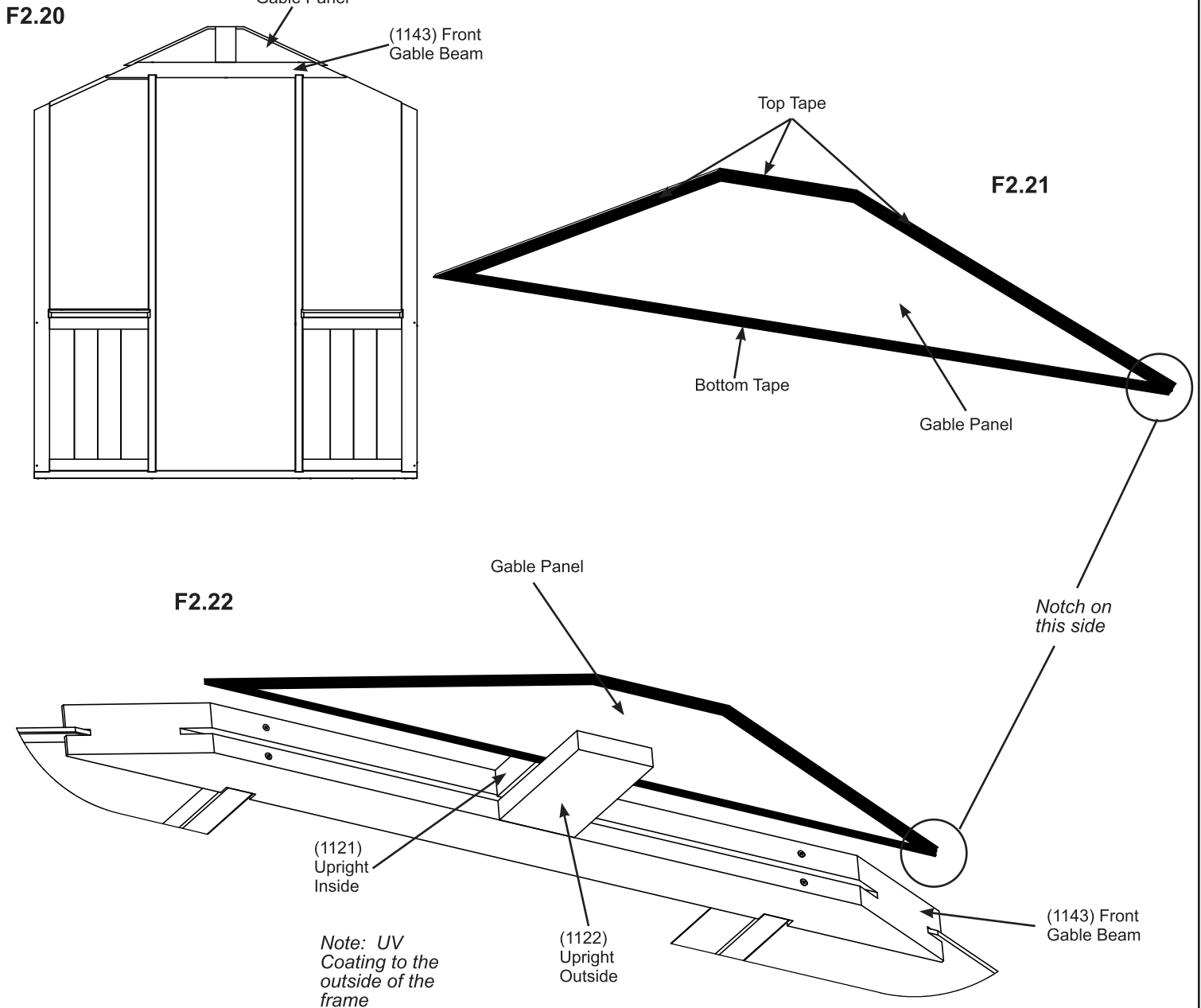
- 2 x #10 x 4" Wood Screw

Step 2: Front Wall Assembly Part 9

Remove film from both sides of Gable Panel.

L: Refer to pages 16 and 17 and apply top and bottom tape to Gable Panel.

M: Slide Gable Panel down into the grooves of (1143) Front Gable Beam, in between (1121) Upright Inside and (1122) Upright Outside. Make sure the notch at the bottom is on the right side of the panel. The UV coated side must be to the outside of the frame. (F2.20, F2.21 and F2.22)



Components

- 1 x Gable Panel
- Top Tape
- Bottom Tape

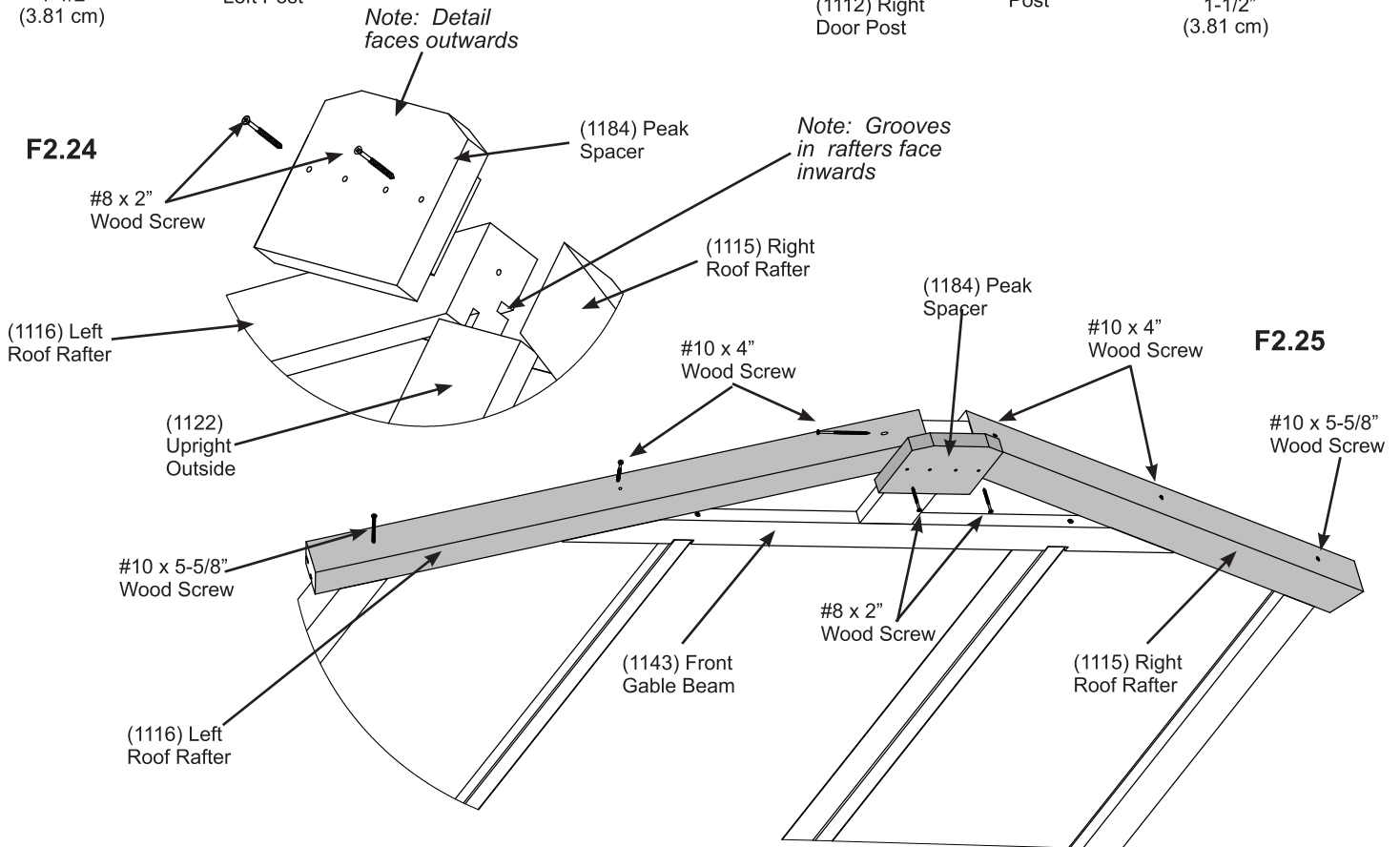
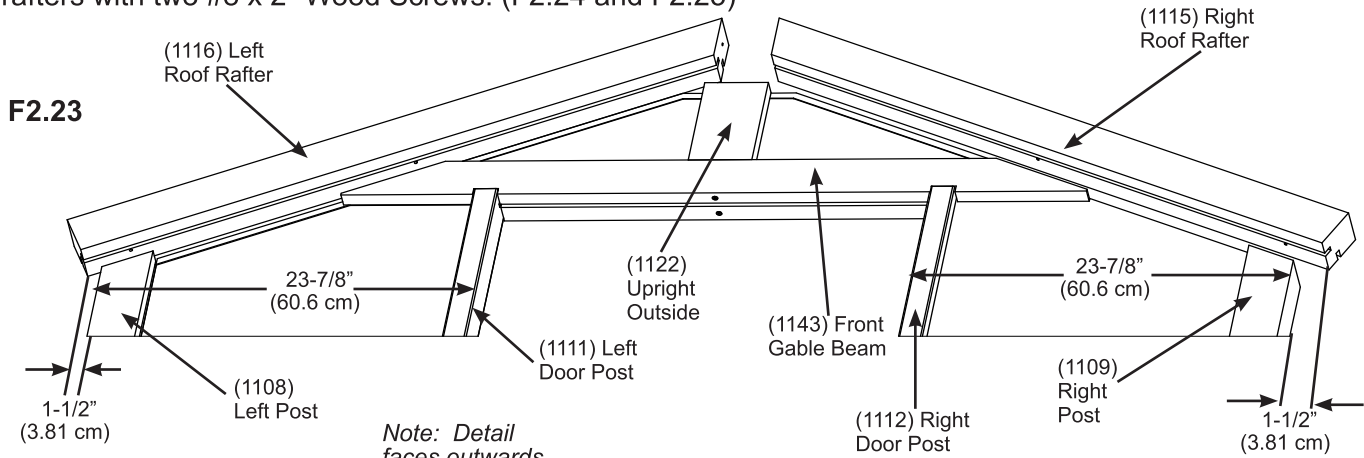
Step 2: Front Wall Assembly

Part 10



N: Place one (1115) Right Roof Rafter and one (1116) Left Roof Rafter on each side of the frame so the ends overhang (1108) Left Post and (1109) Right Post by 1-1/2" (3.81 cm). They will sit on the uprights. Make sure grooves in rafters face inwards. Place one (1184) Peak Spacer between (1115) Right Roof Rafter and (1116) Left Roof Rafter so the detail is on the outside of the assembly. Attach rafters to posts with one #10 x 5-5/8" Wood Screw per post and to (1143) Front Gable Beam with one #10 x 4" Wood Screw per rafter. The distance from outside of the Left and Right Post to the inside of the Left and Right Door Post should be 23-7/8" (60.6 cm). (F2.23, F2.24 and F2.25)

O: Attach each rafter to Peak Spacer with one #10 x 4" Wood Screw per rafter. Attach (1184) Peak Spacer to rafters with two #8 x 2" Wood Screws. (F2.24 and F2.25)



Wood Parts

- 1 x (1115) Right Roof Rafter
- 1 x (1116) Left Roof Rafter
- 1 x (1184) Peak Spacer

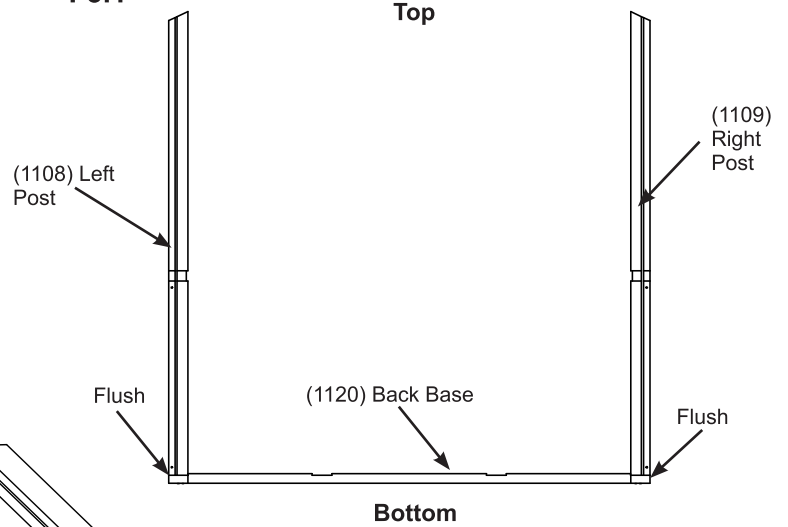
Hardware

- 2 x #10 x 5-5/8" Wood Screw
- 4 x #10 x 4" Wood Screw
- 2 x #8 x 2" Wood Screw

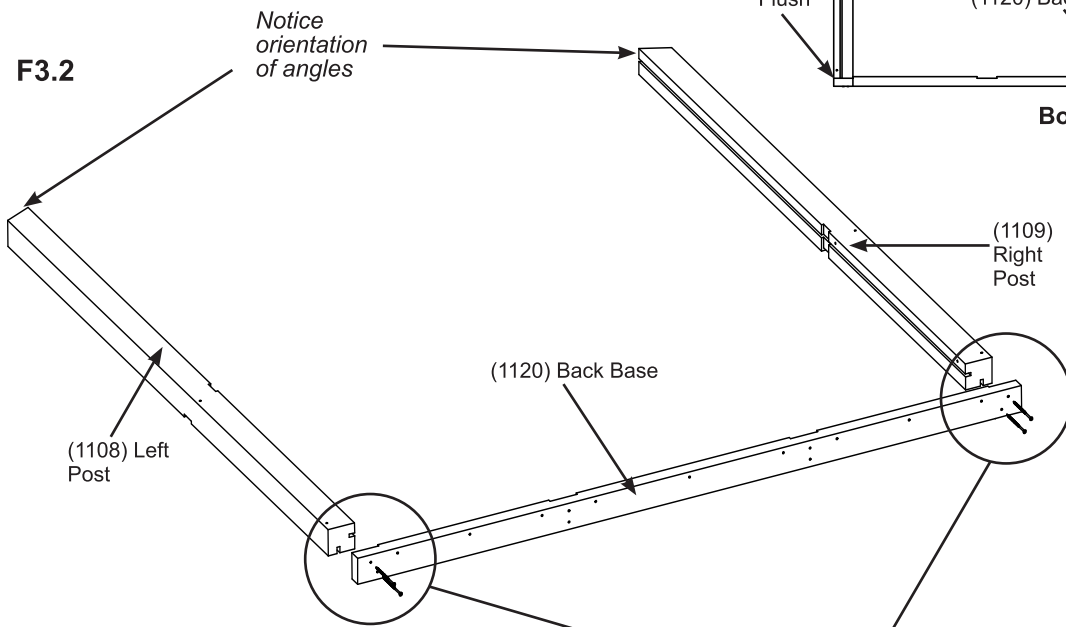
Step 3: Back Wall Assembly Part 1

A: At the bottom of one (1108) Left Post and one (1109) Right Post attach one (1120) Back Base with two #10 x 4" Wood Screws per post. Make sure grooves in posts are facing inwards and to the back. Posts are flush to the ends of (1120) Back Base. (F3.1, F3.2 and F3.3)

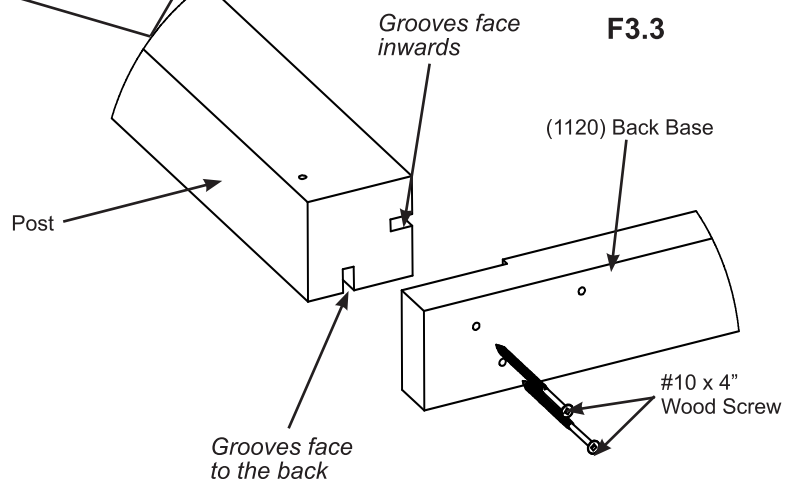
F3.1



F3.2



F3.3



Wood Parts

- 1 x (1108) Left Post
- 1 x (1109) Right Post
- 1 x (1120) Back Base

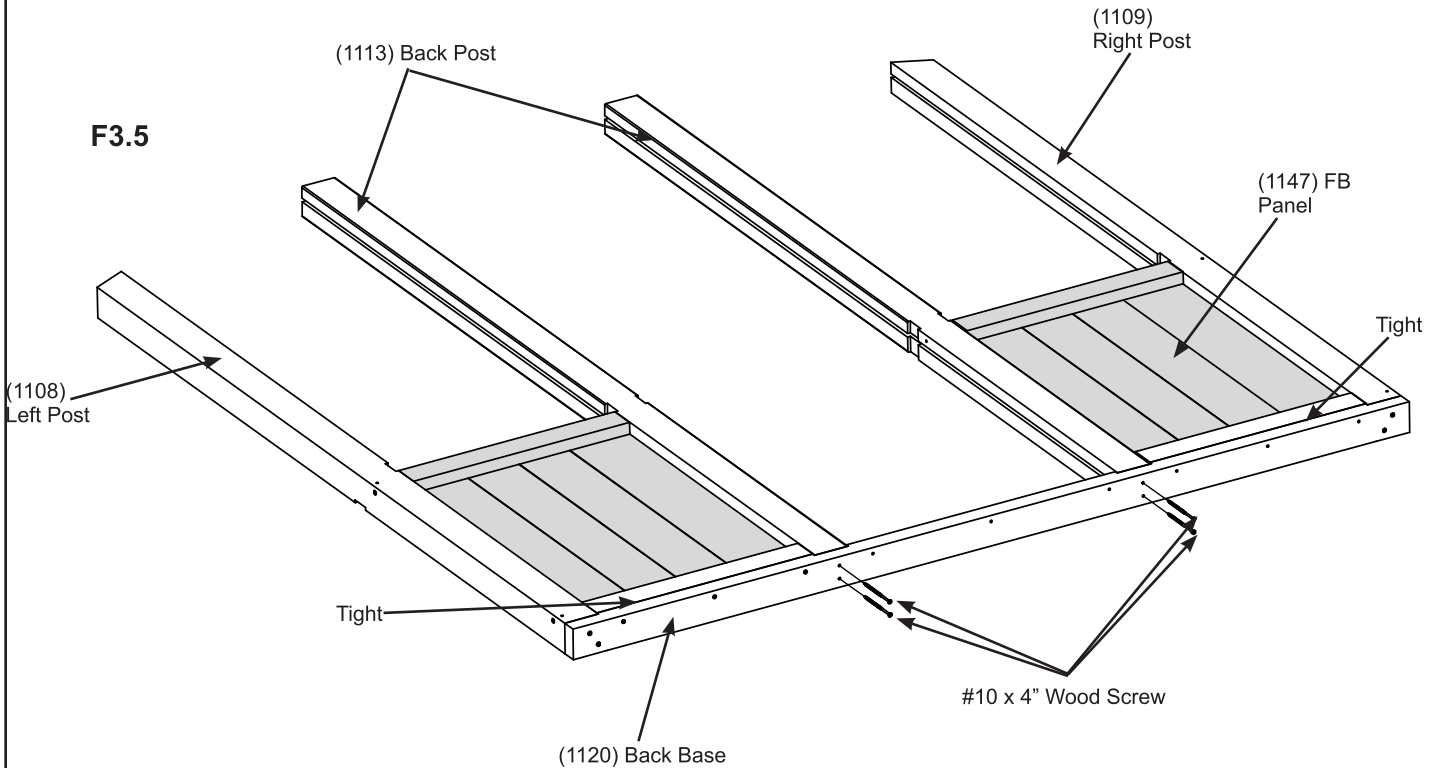
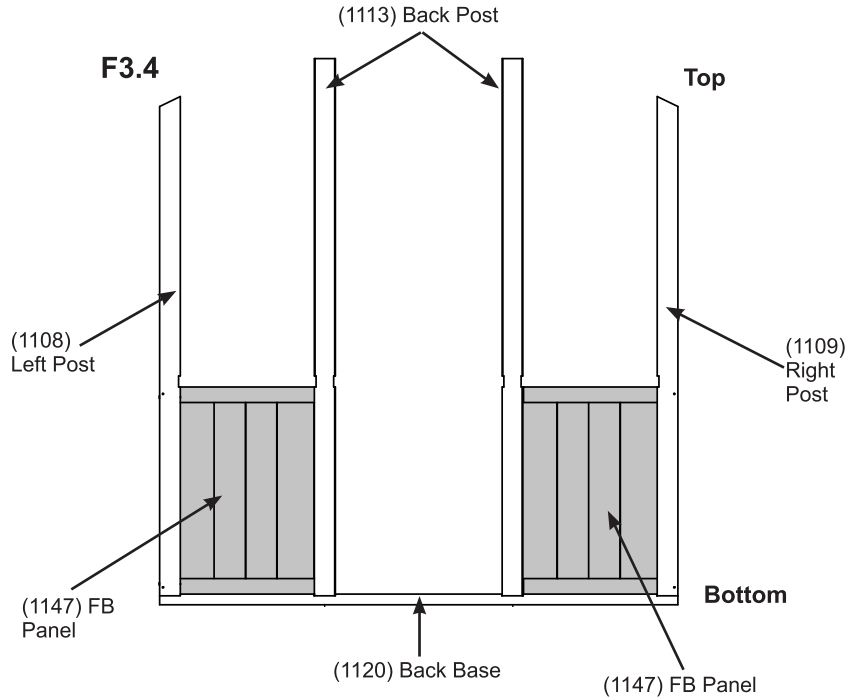
Hardware

- 4 x #10 x 4" Wood Screw

Step 3: Back Wall Assembly Part 2

B: In the grooves of each post slide one (1147) FB Panel down so they rest tight to the top of the (1120) Back Base. (F3.4)

C: Place one (1113) Back Post tight to each (1147) FB Panel then attach to (1120) Back Base with two #10 x 4" Wood Screws per post. (F3.4 and F3.5)



Wood Parts

- 2 x (1113) Back Post
- 2 x (1147) FB Panel

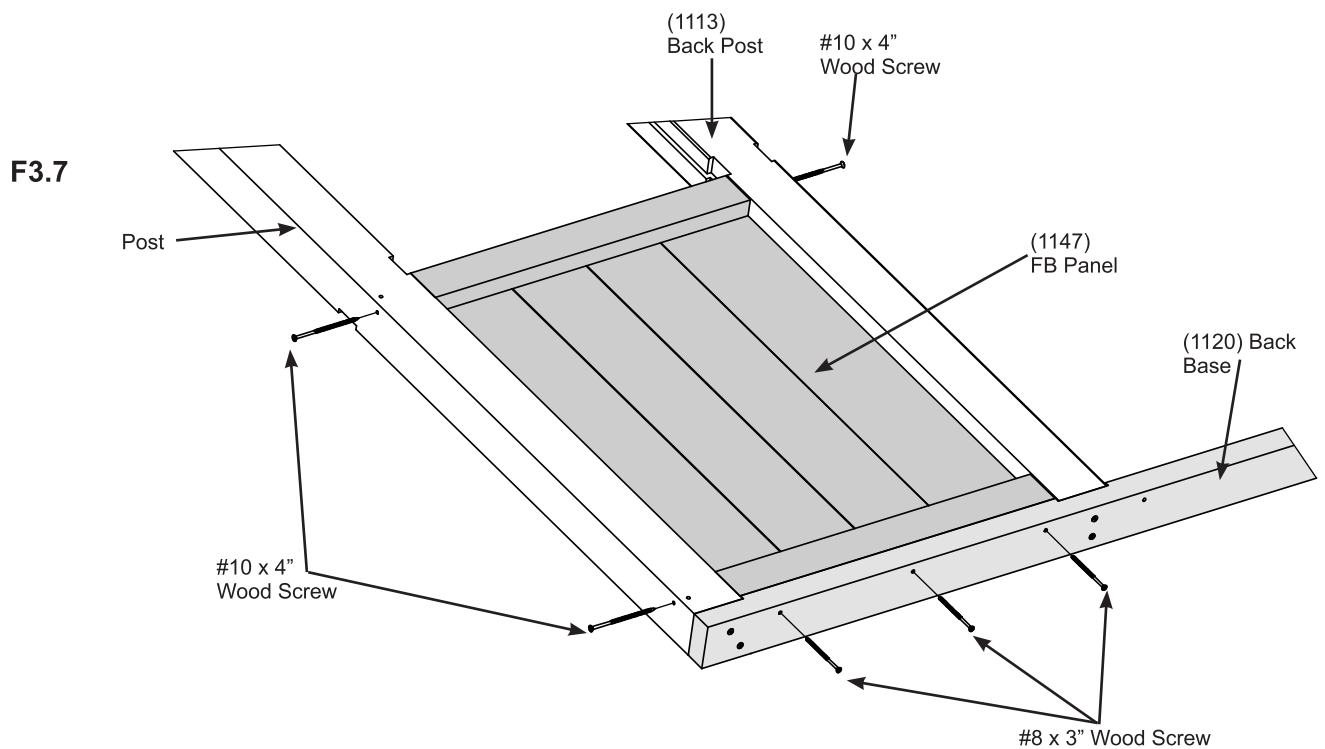
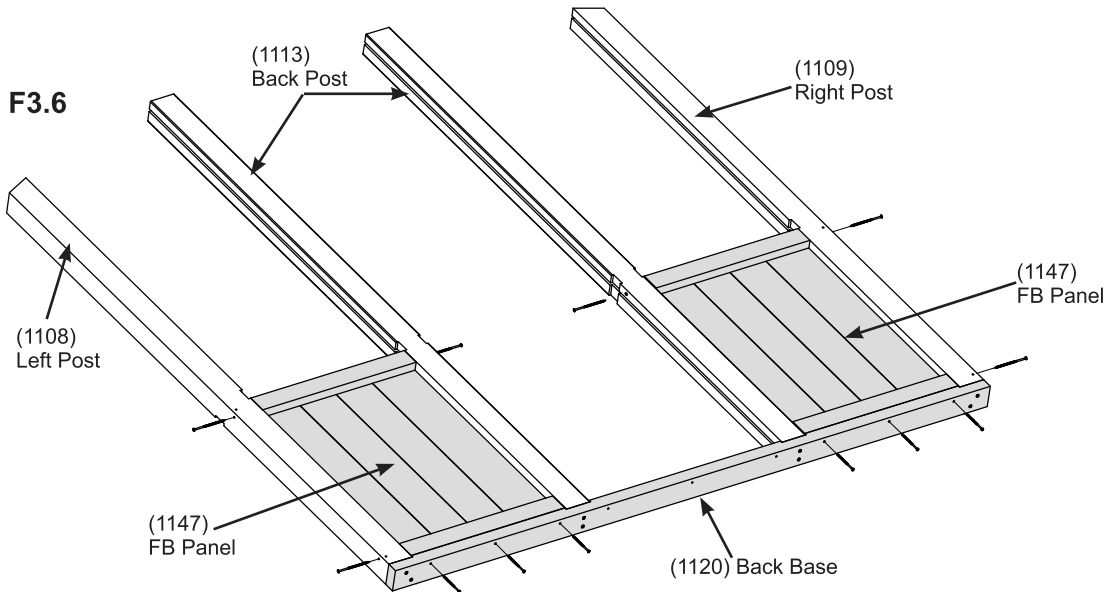
Hardware

- 4 x #10 x 4" Wood Screw

Step 3: Back Wall Assembly Part 3

D: Attach (1108) Left Post, (1109) Right Post to each (1147) FB Panel with two #10 x 4" Wood Screws per post and each (1113) Back Post to each (1147) FB Panel with one #10 x 4" Wood Screw per post. (F3.6 and F3.7)

E: Attach (1120) Back Base to (1147) FB Panels with three #8 x 3" Wood Screws per panel. (F3.6 and F3.7)



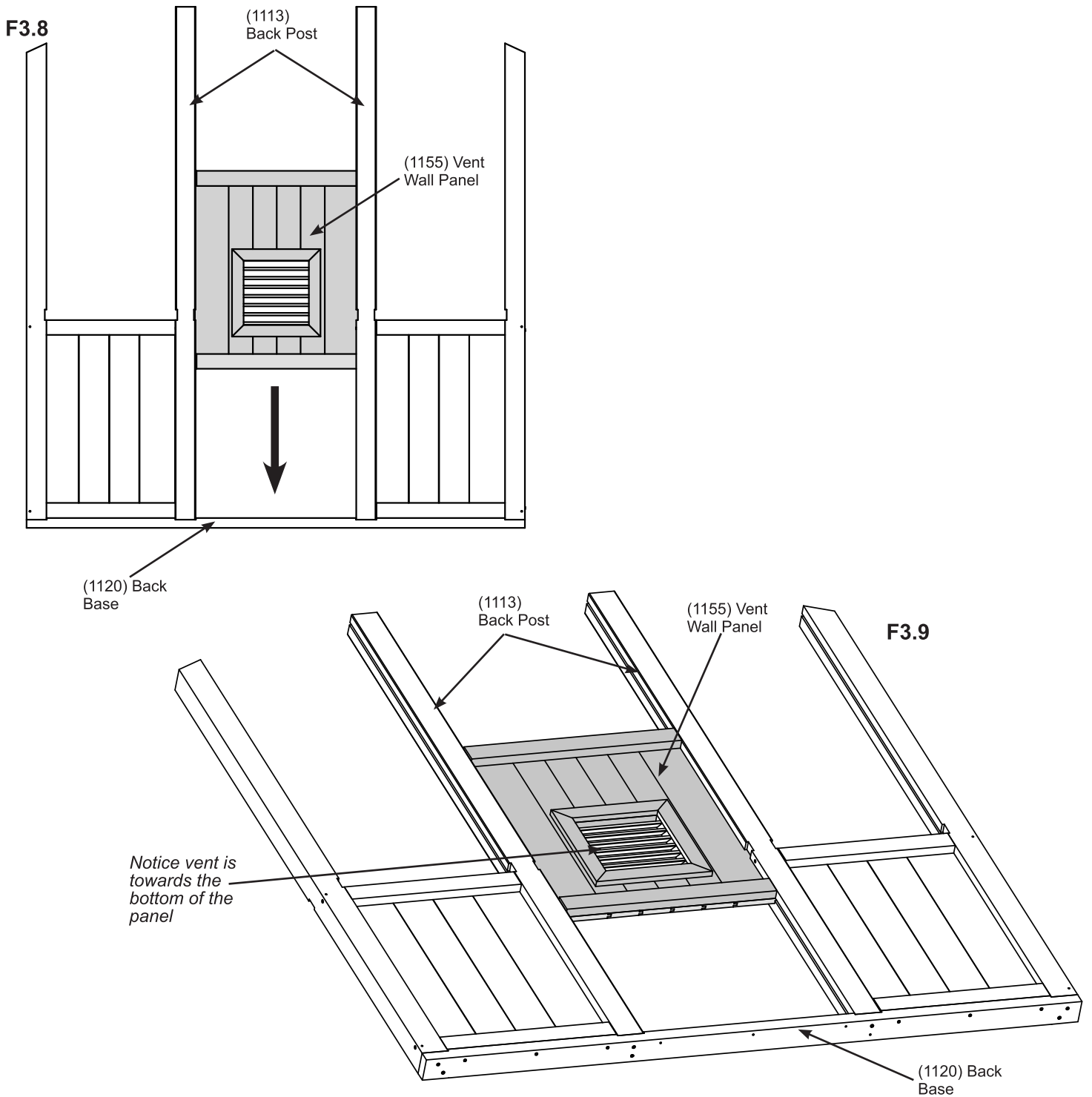
Hardware

6 x #10 x 4" Wood Screw

6 x #8 x 3" Wood Screw

Step 3: Back Wall Assembly Part 4

F: In the grooves of each (1113) Back Post slide one (1155) Vent Wall Panel down so it rests tight to the top of the (1120) Back Base. Vent should be closer to the (1120) Back Base. (F3.8 and F3.9)



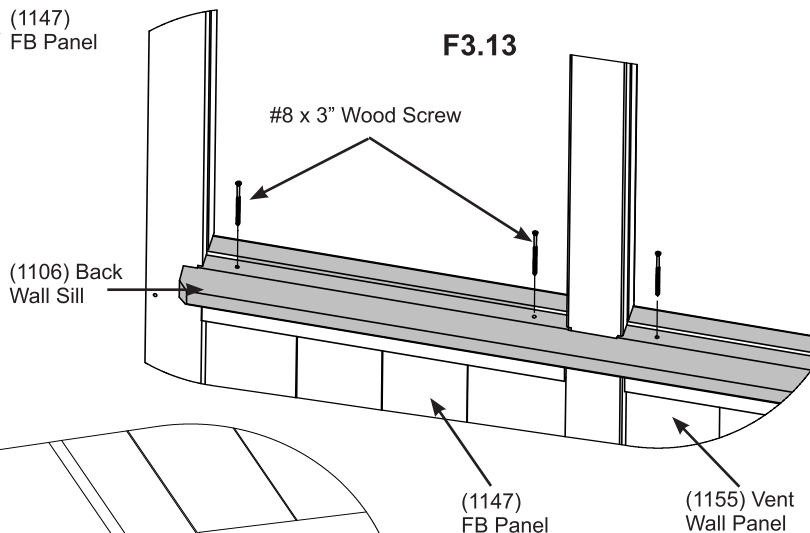
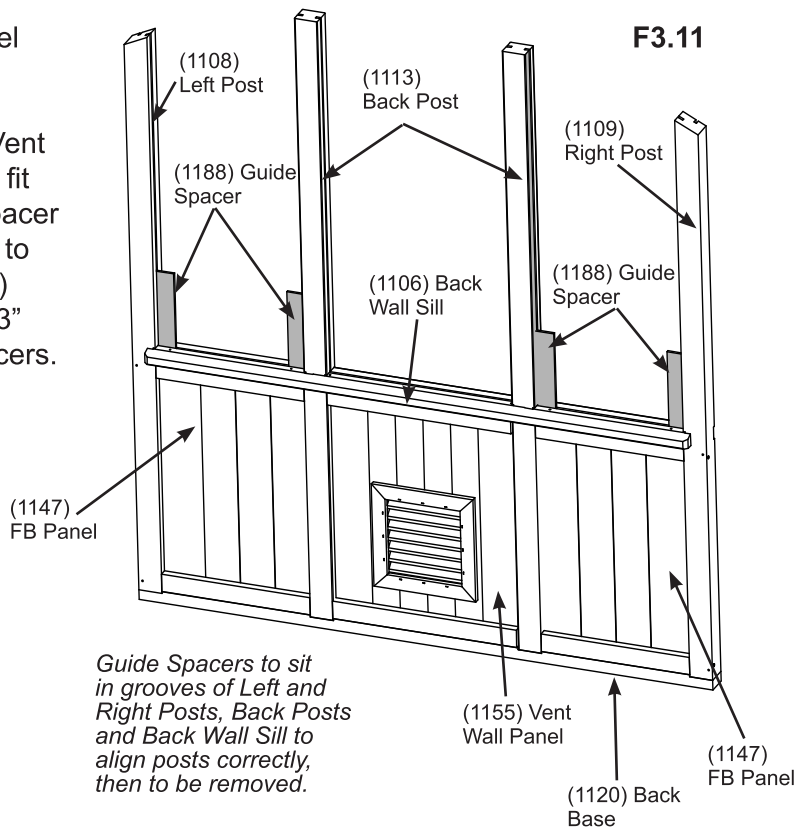
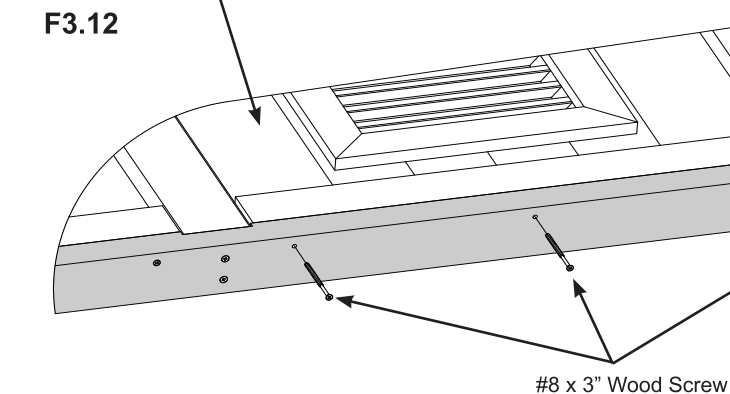
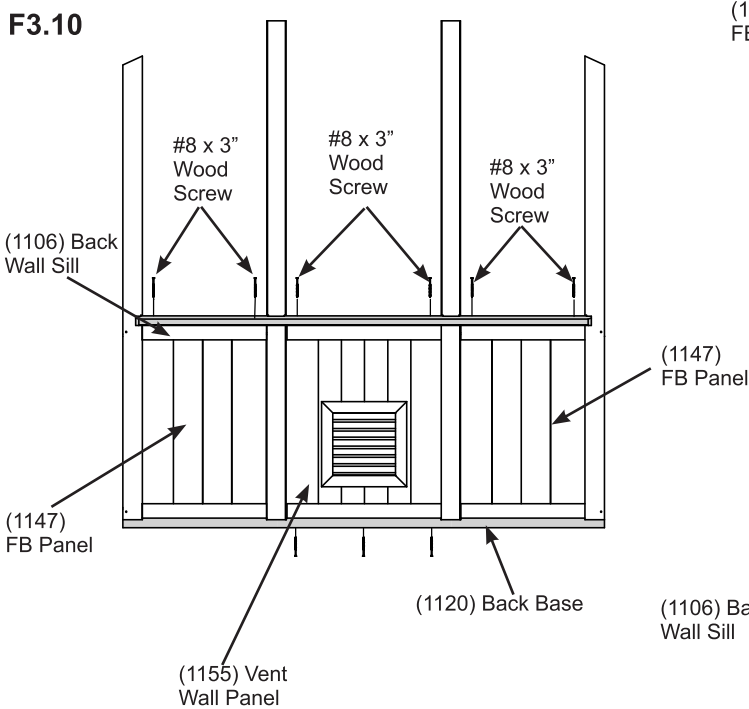
Wood Parts

1 x (1155) Vent Wall Panel

Step 3: Back Wall Assembly Part 5

G: Attach (1120) Back Base to (1155) Vent Wall Panel with three #8 x 3" Wood Screws. (F3.10 and F3.12)

H: Place one (1106) Back Wall Sill on top of (1155) Vent Wall Panel and each (1147) FB Panel so the notches fit around each (1113) Back Post. Use (1188) Guide Spacer in the grooves of each post and (1106) Back Wall Sill to line up Posts. Attach (1106) Back Wall Sills to (1147) FB Panels and (1155) Vent Wall Panel with two #8 x 3" Wood Screws per panel. Remove (1188) Guide Spacers. (F3.10, F3.11 and F3.13)



Wood Parts

1 x (1106) Back Wall Sill

Hardware

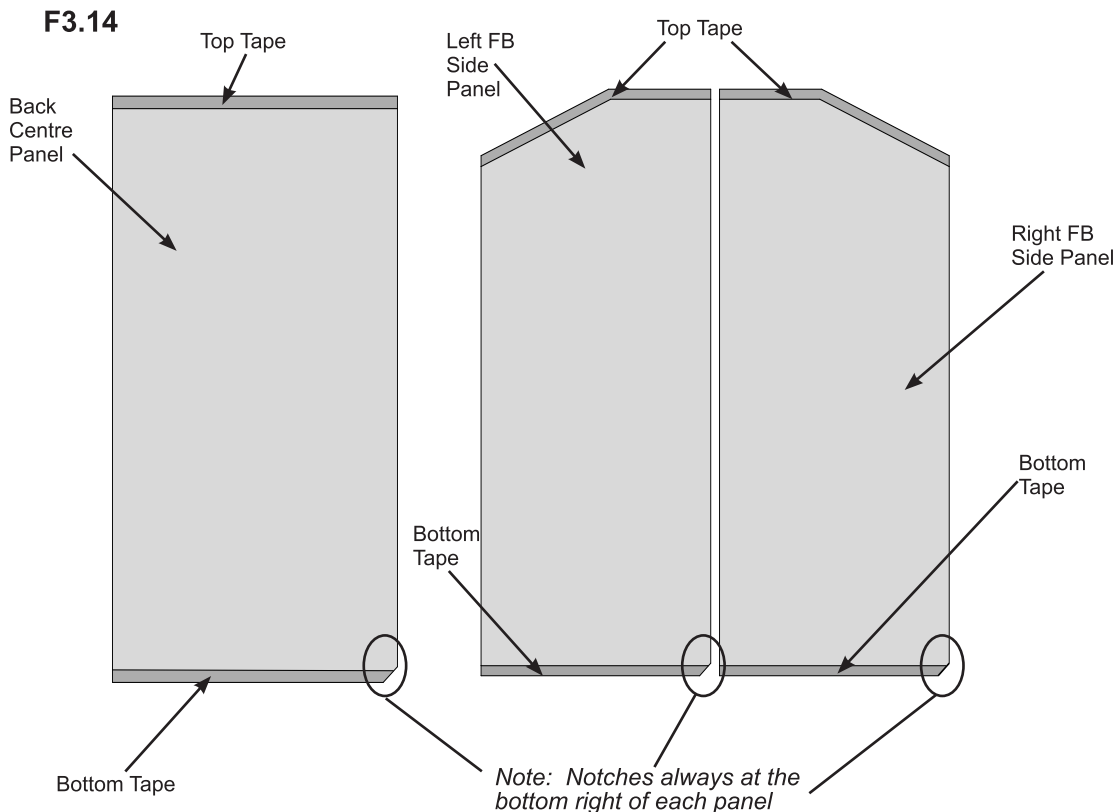
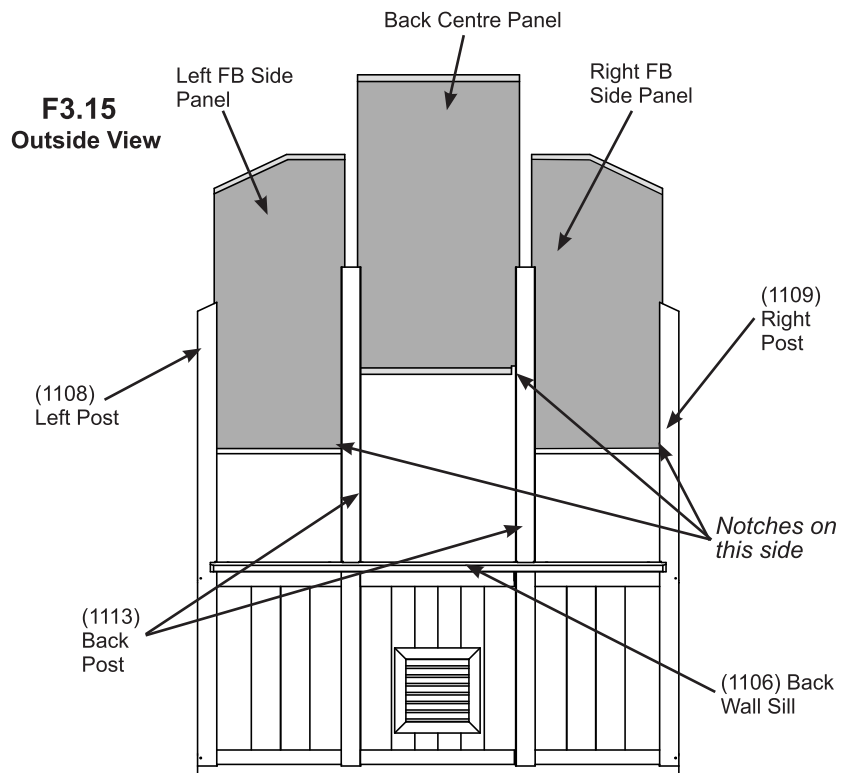
9 x #8 x 3" Wood Screw

Step 3: Back Wall Assembly Part 6

Remove film from both sides of Left FB Side Panel, Right FB Side Panel and Back Centre Panel.

I: Refer to pages 16 and 17 and apply top and bottom tape to Left FB Side Panel, Right FB Side Panel and Back Centre Panel.

J: In the grooves of Left and Right Posts and Back Post slide Left FB Side Panel and Right FB Side Panel down to fit in the grooves of (1106) Back Wall Sill. In the grooves of Back Posts slide Back Centre Panel down so it fits in the grooves of (1106) Back Wall Sill. Make sure the notch at the bottom is always on the right side of the panel. The UV coated side must be to the outside of the frame. (F3.14 and F3.15)



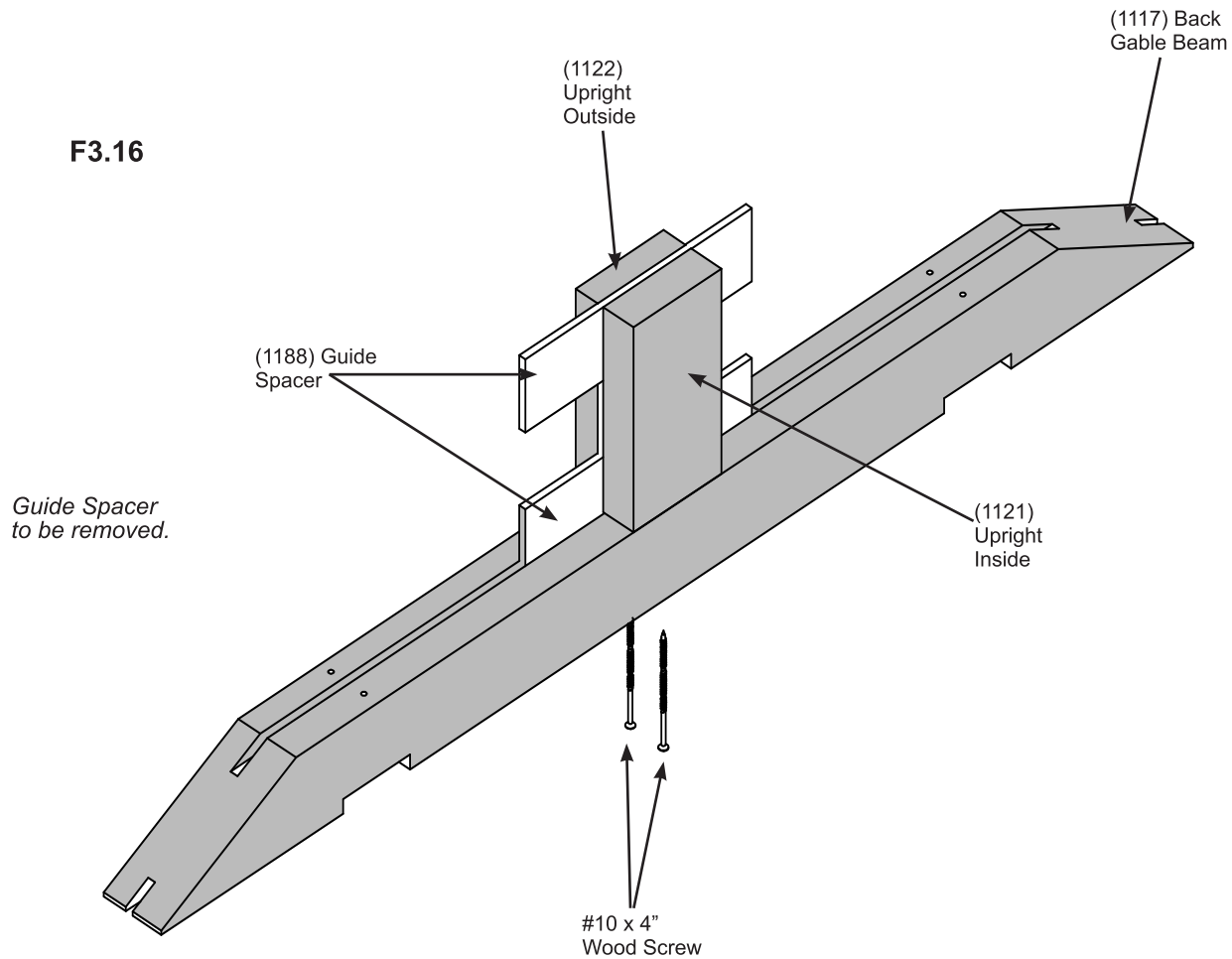
Note: UV Coating to the outside of the frame

Components

- | | |
|-------------------------|-------------|
| 1 x Left FB Side Panel | Top Tape |
| 1 x Right FB Side Panel | Bottom Tape |
| 1 x Back Centre Panel | |

Step 3: Back Wall Assembly Part 7

K: Place one (1121) Upright Inside and one (1122) Upright Outside centred on the top of (1117) Back Gable Beam. Use one (1188) Guide Spacer in the grooves of (1117) Back Gable Beam and one at the top of the uprights for proper spacing of Uprights. Attach Beam to Uprights with one #10 x 4" Wood Screw per upright. Remove (1188) Guide Spacer. (F3.16)



Wood Parts

- 1 x (1117) Back Gable Beam
- 1 x (1121) Upright Inside
- 1 x (1122) Upright Outside

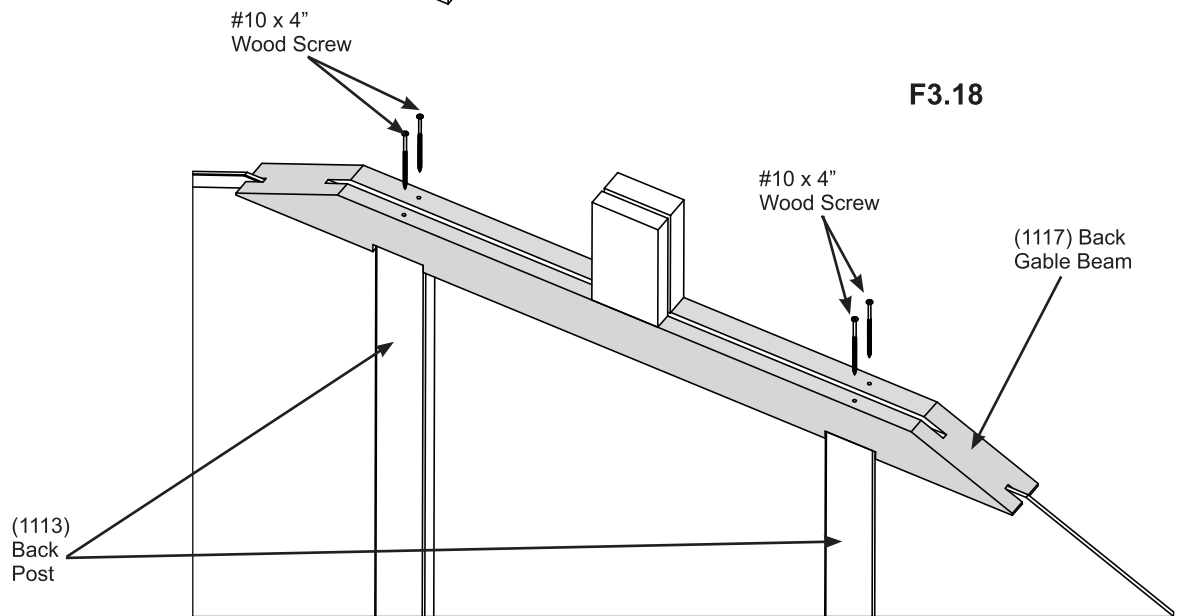
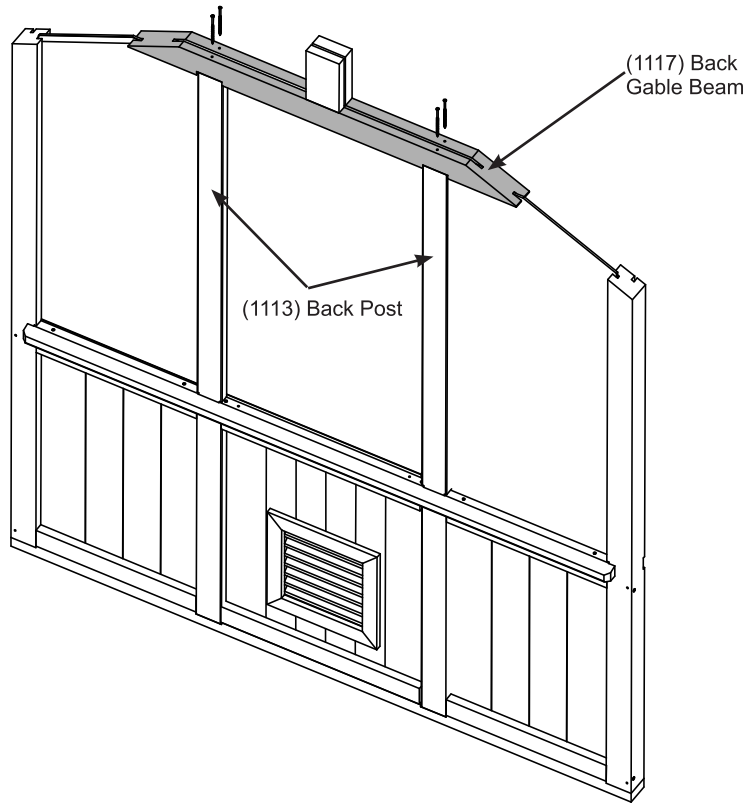
Hardware

- 2 x #10 x 4" Wood Screw

Step 3: Back Wall Assembly Part 8

L: Place (1117) Back Gable Beam on top of (1113) Back Posts so notches on the bottom fit over the posts then attach with two #10 x 4" Wood Screws per post. (F3.17 and F3.18)

F3.17



Hardware

4 x #10 x 4" Wood Screw

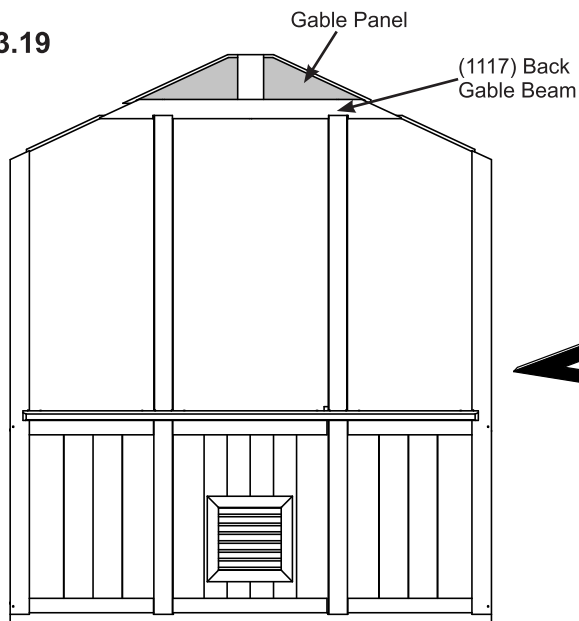
Step 3: Back Wall Assembly Part 9

Remove film from both sides of Gable Panel.

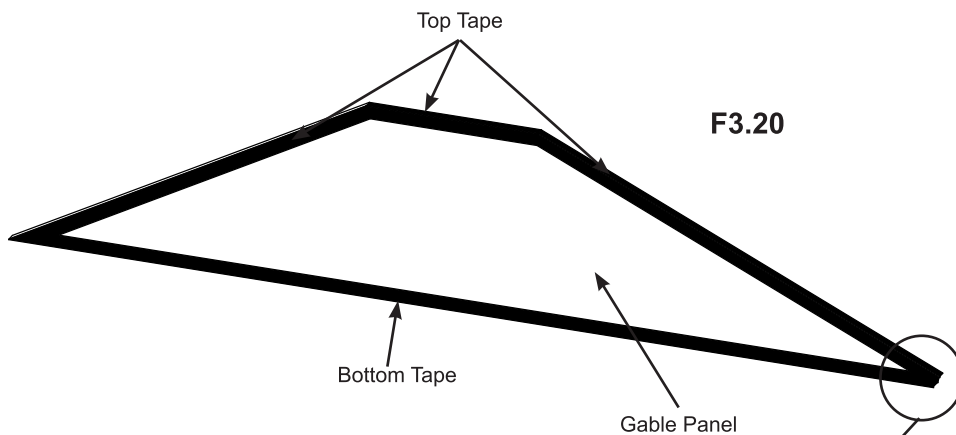
M: Refer to pages 16 and 17 and apply top and bottom tape to Gable Panel.

N: Slide Gable Panel down into the grooves of (1117) Back Gable Beam, in between (1121) Upright Inside and (1122) Upright Outside. Make sure the notch at the bottom is on the right side of the panel. The UV coated side must be to the outside of the frame. (F3.19, F3.20 and F3.21)

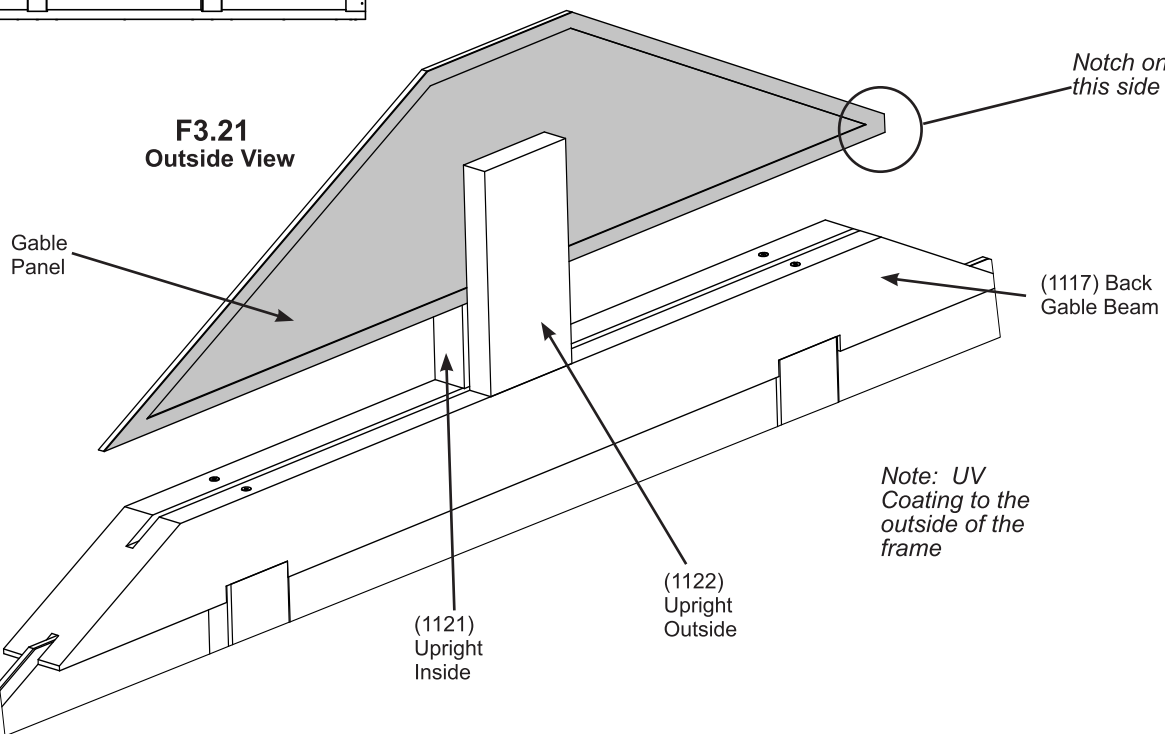
F3.19



F3.20



**F3.21
Outside View**



Components

- 1 x Gable Panel**
- Top Tape**
- Bottom Tape**

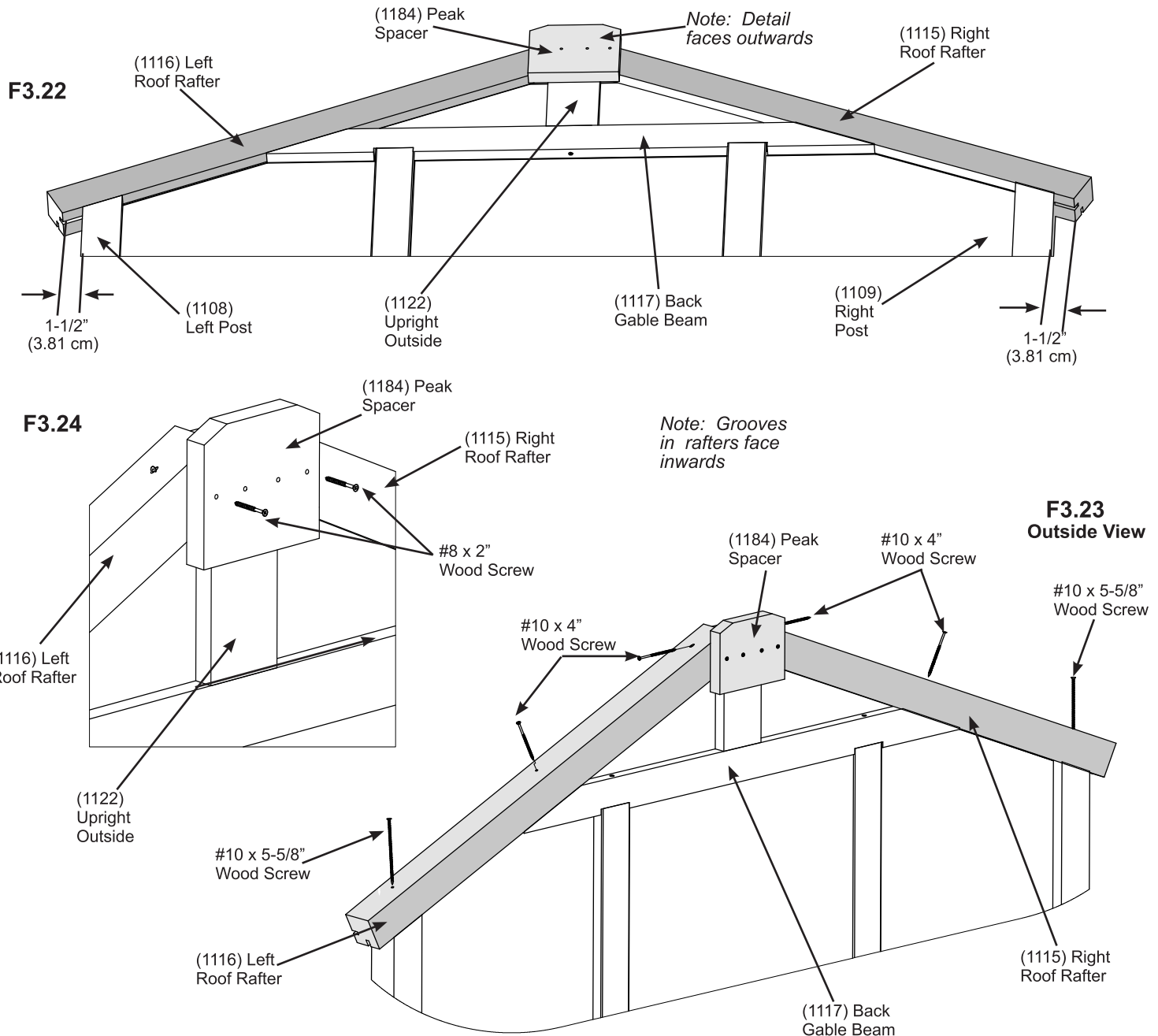
Step 3: Back Wall Assembly

Part 10



O: Place one (1115) Right Roof Rafter and one (1116) Left Roof Rafter on each side of the frame so the ends overhang (1108) Left Post and (1109) Right Post by 1-1/2" (3.81 cm). They will sit on the uprights. Make sure grooves in rafters face inwards. Place one (1184) Peak Spacer between (1115) Right Roof Rafter and (1116) Left Roof Rafter so the detail is on the outside of the assembly. Attach rafters to posts with one #10 x 5-5/8" Wood Screw per post and to (1117) Back Gable Beam with one #10 x 4" Wood Screw per rafter. (F3.22 and F3.23)

P: Attach each rafter to Peak Spacer with one #10 x 4" Wood Screw per rafter. Attach (1184) Peak Spacer to rafters with two #8 x 2" Wood Screws. (F3.23 and F3.24)



Wood Parts

- 1 x (1115) Right Roof Rafter
- 1 x (1116) Left Roof Rafter
- 1 x (1184) Peak Spacer

Hardware

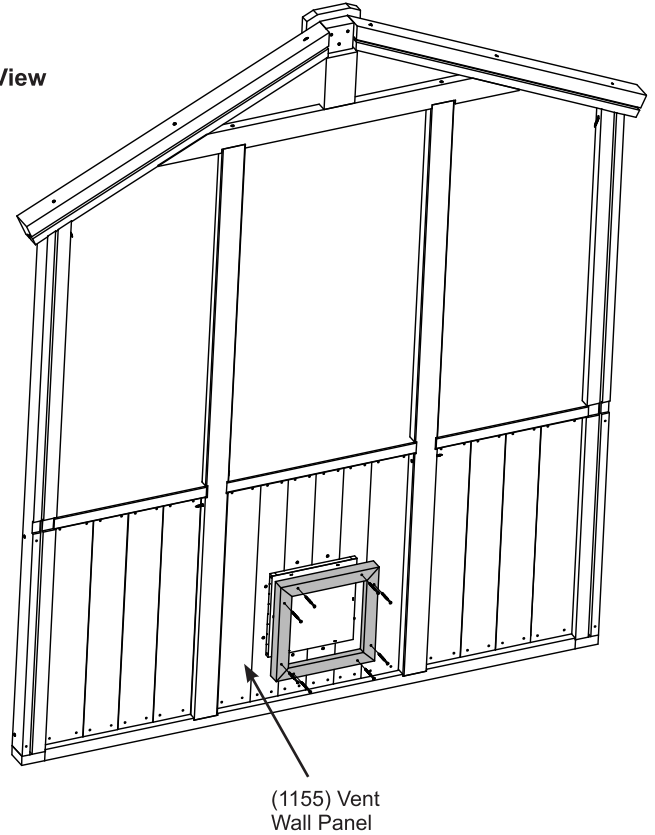
- 2 x #10 x 5-5/8" Wood Screw
- 4 x #10 x 4" Wood Screw
- 2 x #8 x 2" Wood Screw

Step 3: Back Wall Assembly

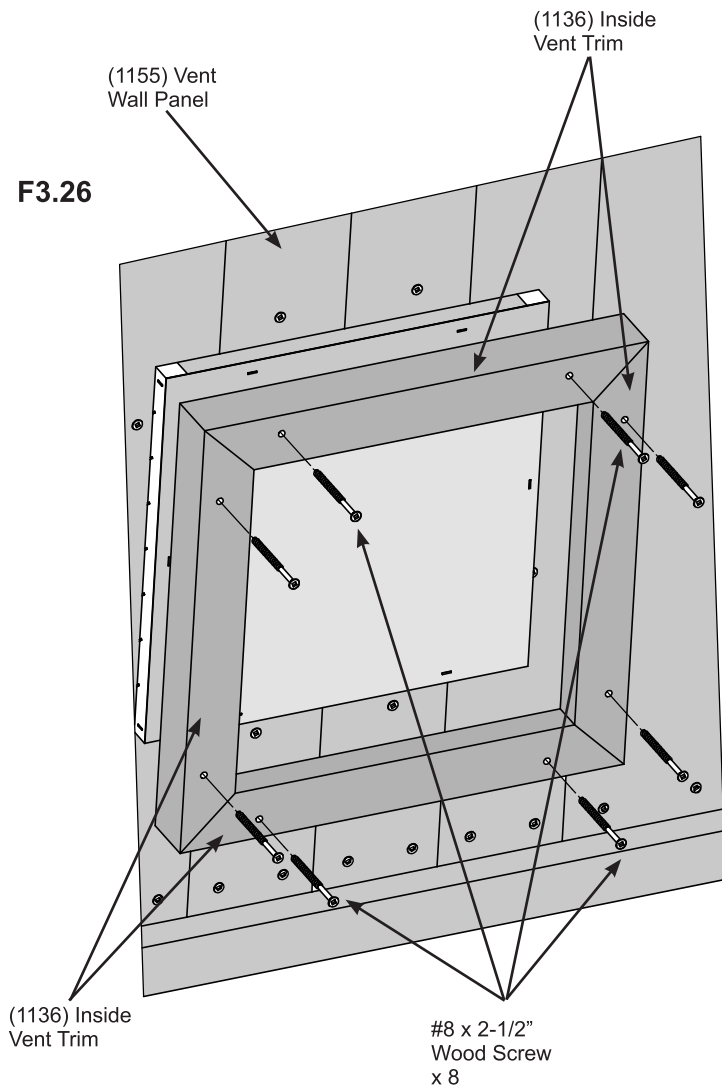
Part 11

Q: On the inside of the frame attach four (1136) Inside Vent Trims around opening in (1155) Vent Wall Panel using two #8 x 2-1/2" Wood Screws per trim. (F3.25 and F3.26)

F3.25
Inside View



F3.26



Wood Parts

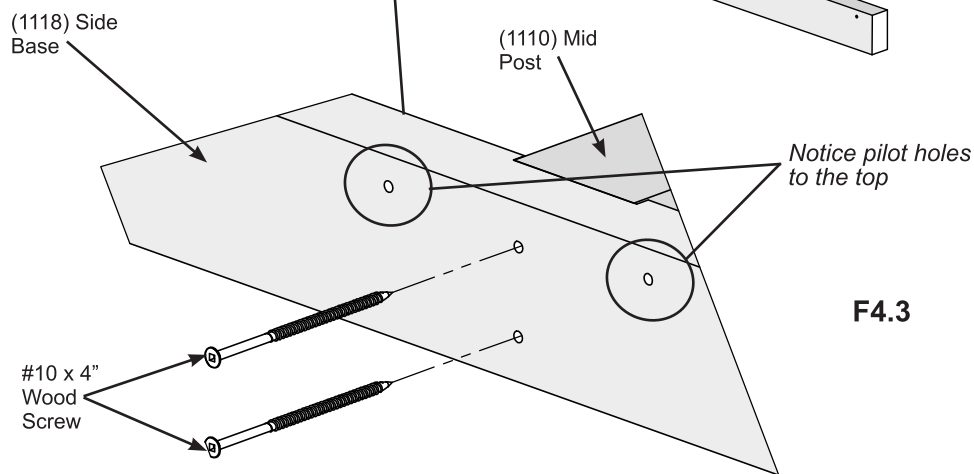
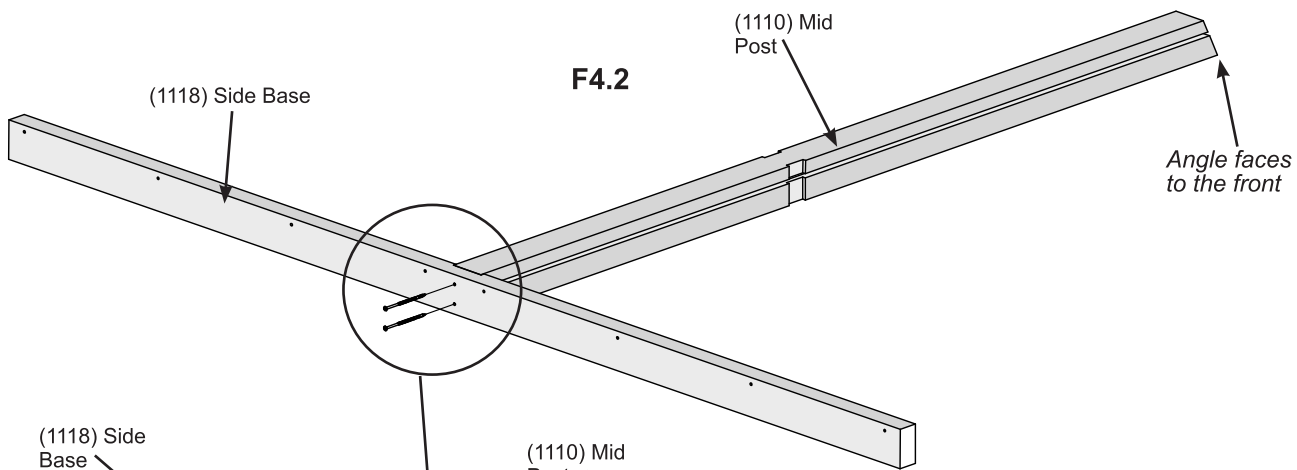
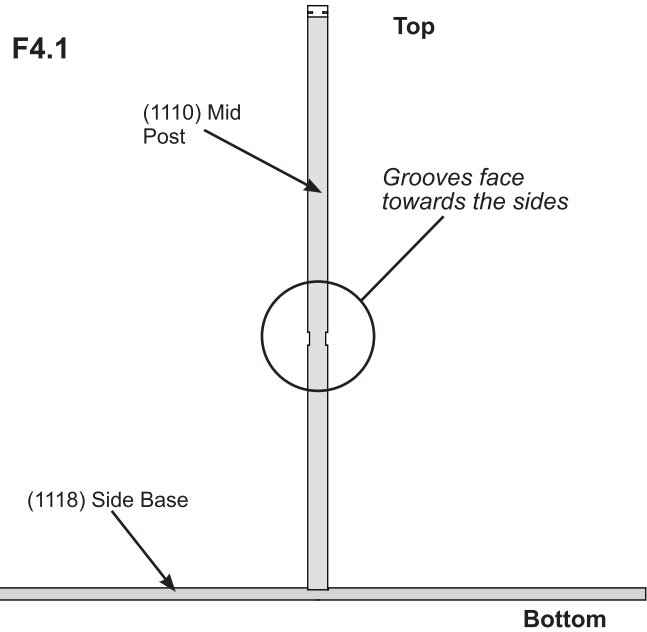
4 x (1136) Inside Vent Trim

Hardware

8 x #8 x 2-1/2" Wood Screw

Step 4: Side Wall Assembly Part 1

A: At the bottom of one (1110) Mid Post attach one (1118) Side Base with two #10 x 4" Wood Screws. Make sure grooves in posts are facing the sides and angle at the top of the post is towards the front. (F4.1, F4.2 and F4.3)



Wood Parts

- 2 x (1110) Mid Post
- 2 x (1118) Side Base

Hardware

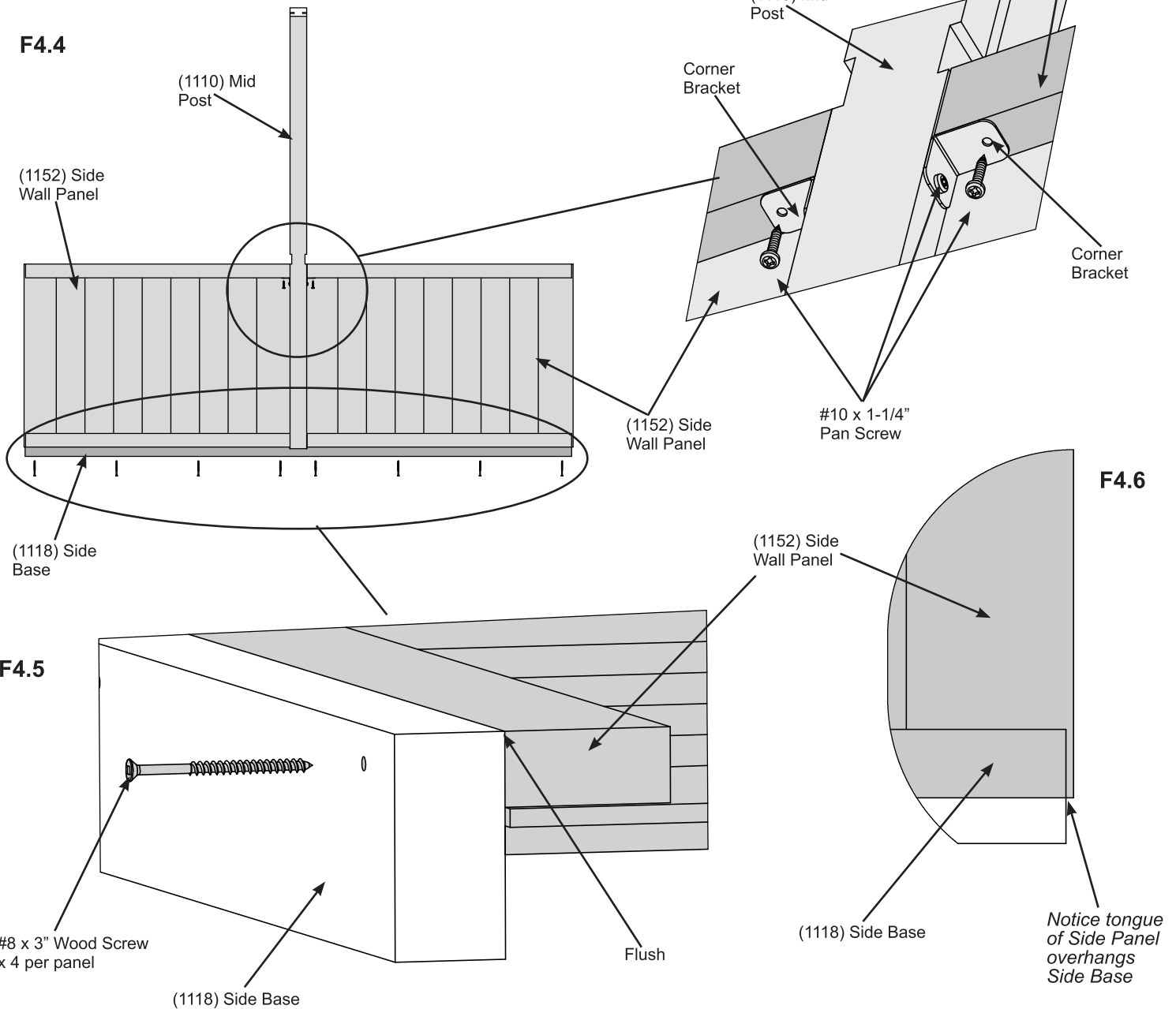
- 4 x #10 x 4" Wood Screw

Step 4: Side Wall Assembly Part 2

B: On each side of (1110) Mid Post, in the grooves, slide one (1152) Side Wall Panel down so they rest tight to the top of the (1118) Side Base. Ends of (1118) Side Base and each (1152) Side Wall Panel should be flush. The tongue of the panel will overhang the base. Attach (1118) Side Base to each (1152) Side Wall Panel with four #8 x 3" Wood Screws per panel. (F4.4, F4.5 and F4.6)

C: Using one Corner Bracket per (1152) Side Wall Panel attach (1110) Mid Post to each panel with two #10 x 1-1/4" Pan Screws per bracket. (F4.4 and F4.7)

D: Repeat Steps A-C for a second Side Wall Assembly.



Wood Parts

4 x (1152) Side Wall Panel

Components

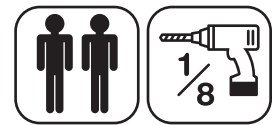
4 x Corner Bracket

Hardware

16 x #8 x 3" Wood Screw

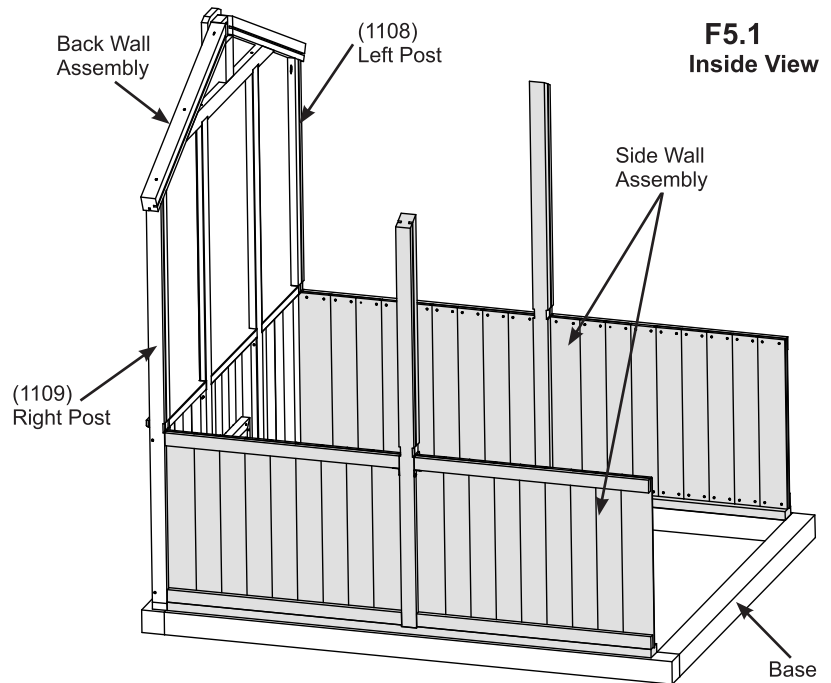
8 x #10 x 1-1/4" Pan Screw

Step 5: Connect Wall Assemblies Part 1

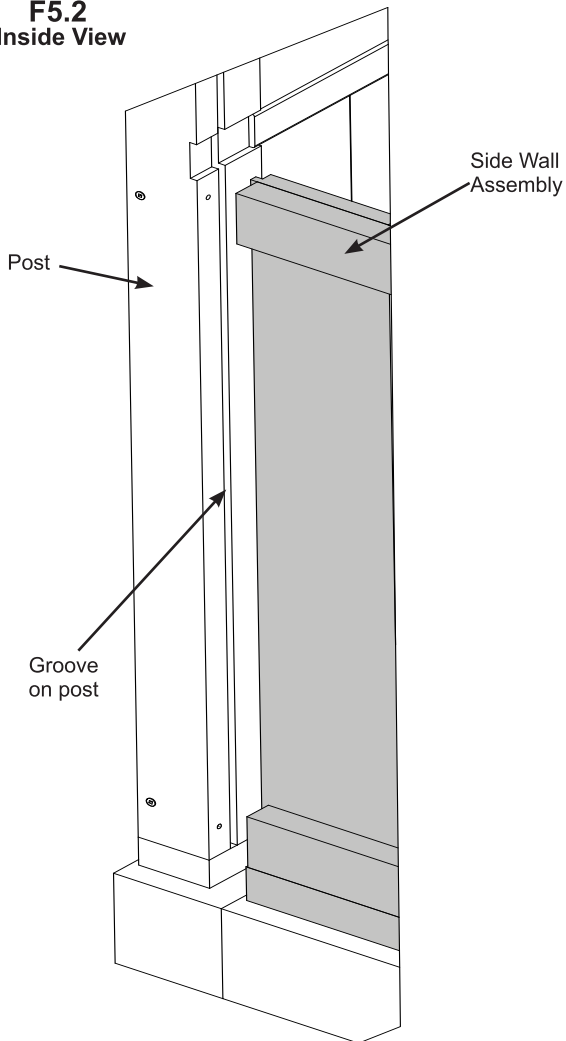


If using a treated lumber base it should be placed in the final location. Images will only show treated lumber base. Same instructions apply for concrete base, unless otherwise specified.

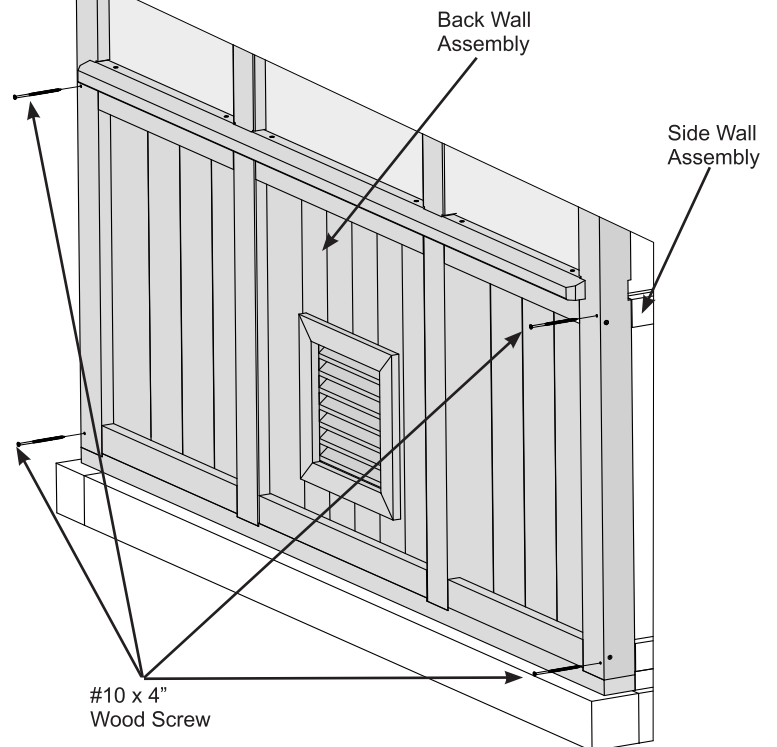
A: With a helper, stand Back Wall Assembly on base then slide Side Wall Assemblies into grooves of (1108) Left Post and (1109) Right Post. Pre-drill with a 1/8" drill bit then attach Back Wall Assembly to Side Wall Assemblies with two #10 x 4" Wood Screws per side. (F5.1, F5.2 and F5.3)



F5.2
Inside View



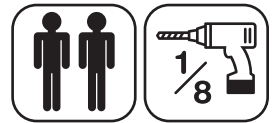
F5.3
Outside View



Hardware

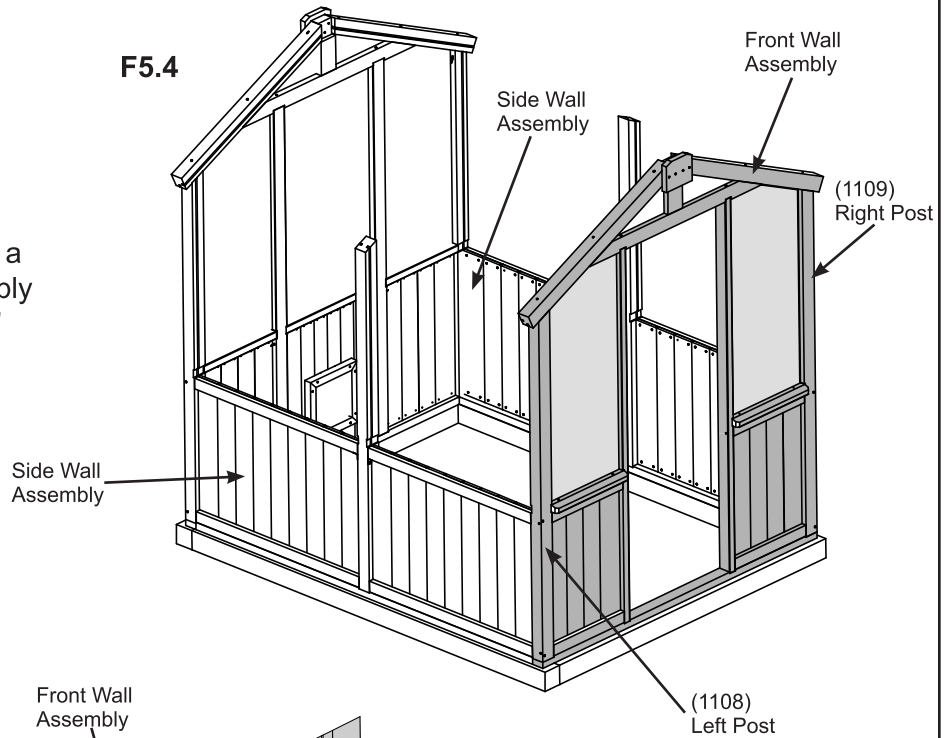
4 x #10 x 4" Wood Screw

Step 5: Connect Wall Assemblies Part 2

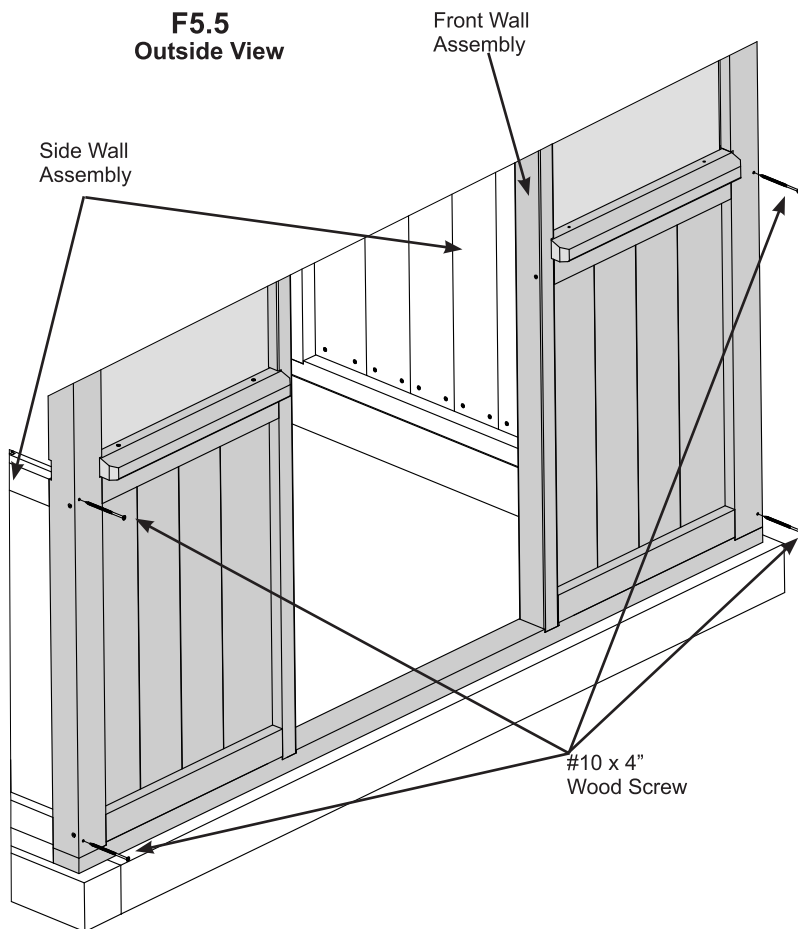


B: With a helper, stand up Front Wall Assembly and slide so Side Wall Assemblies fit into grooves of (1108) Left Post and (1109) Right Post. Pre-drill with a 1/8" drill bit then attach Front Wall Assembly to Side Wall Assemblies with two #10 x 4" Wood Screws per side. (F5.4 and F5.5)

F5.4



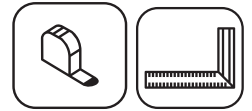
**F5.5
Outside View**



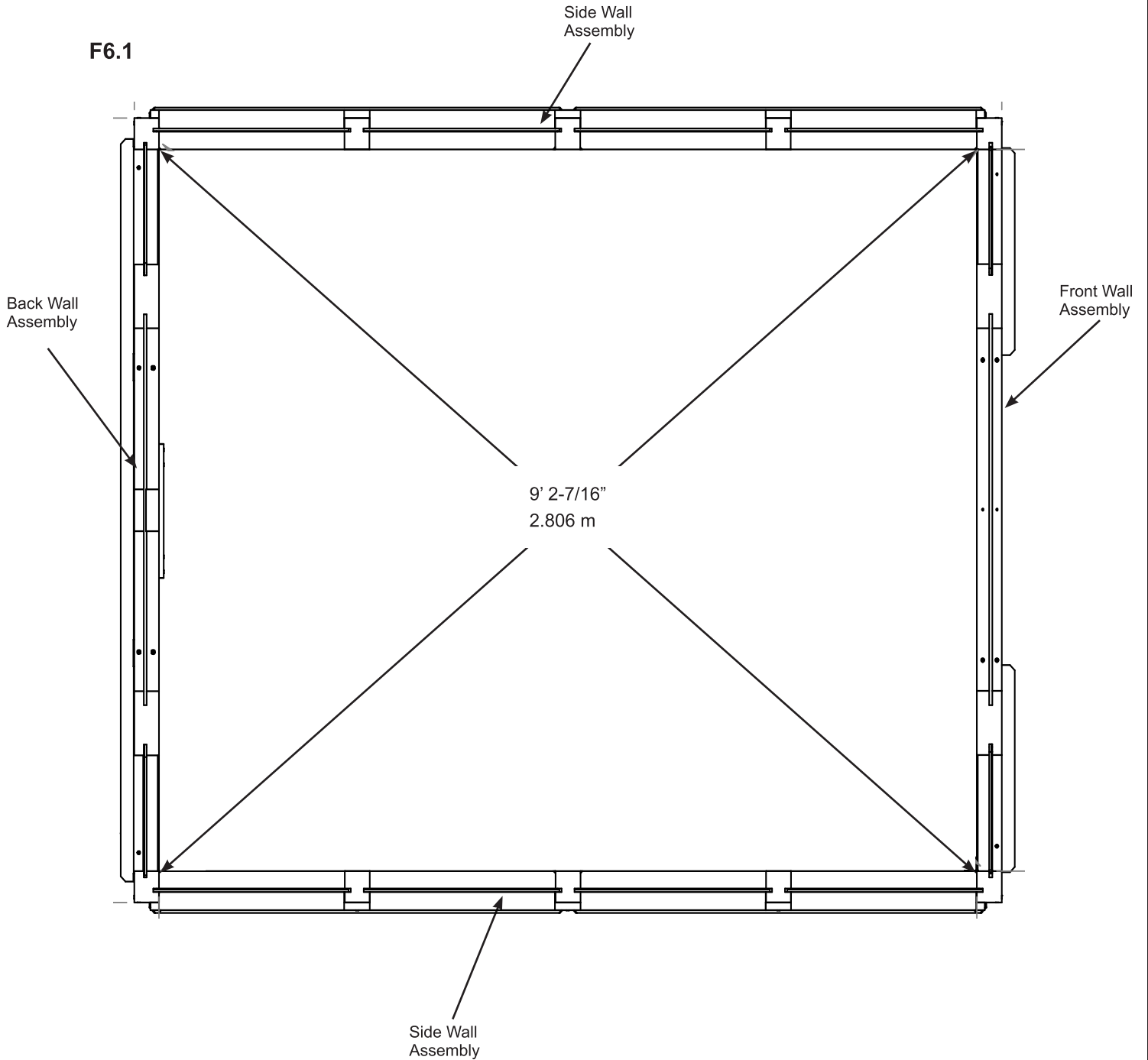
Hardware

4 x #10 x 4" Wood Screw

Step 6: Square Assembly



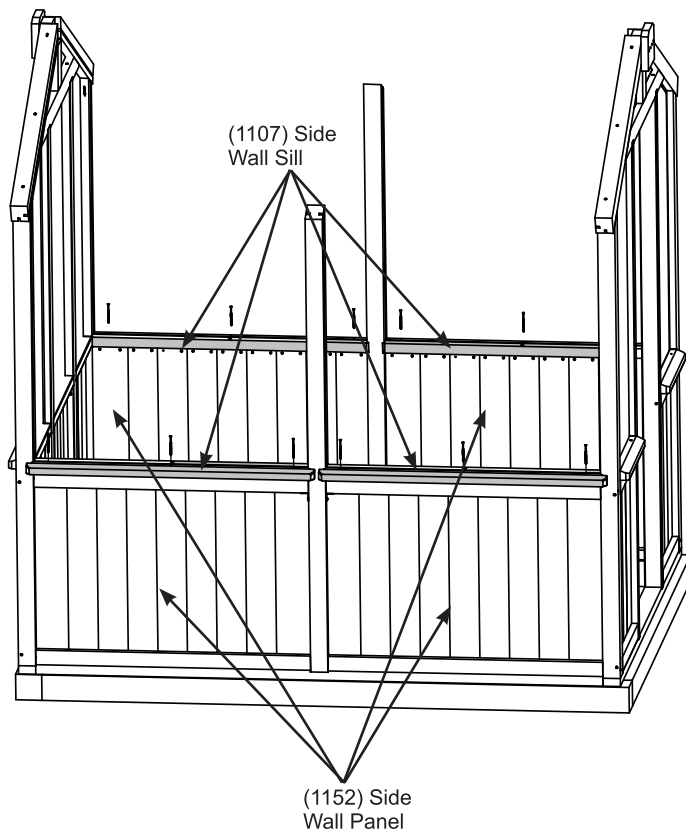
A: Make sure assembly is square and the diagonal distance from the inside of one post to the inside of the opposite post is 9' 2-7/16" (2.806 m). (F6.1)



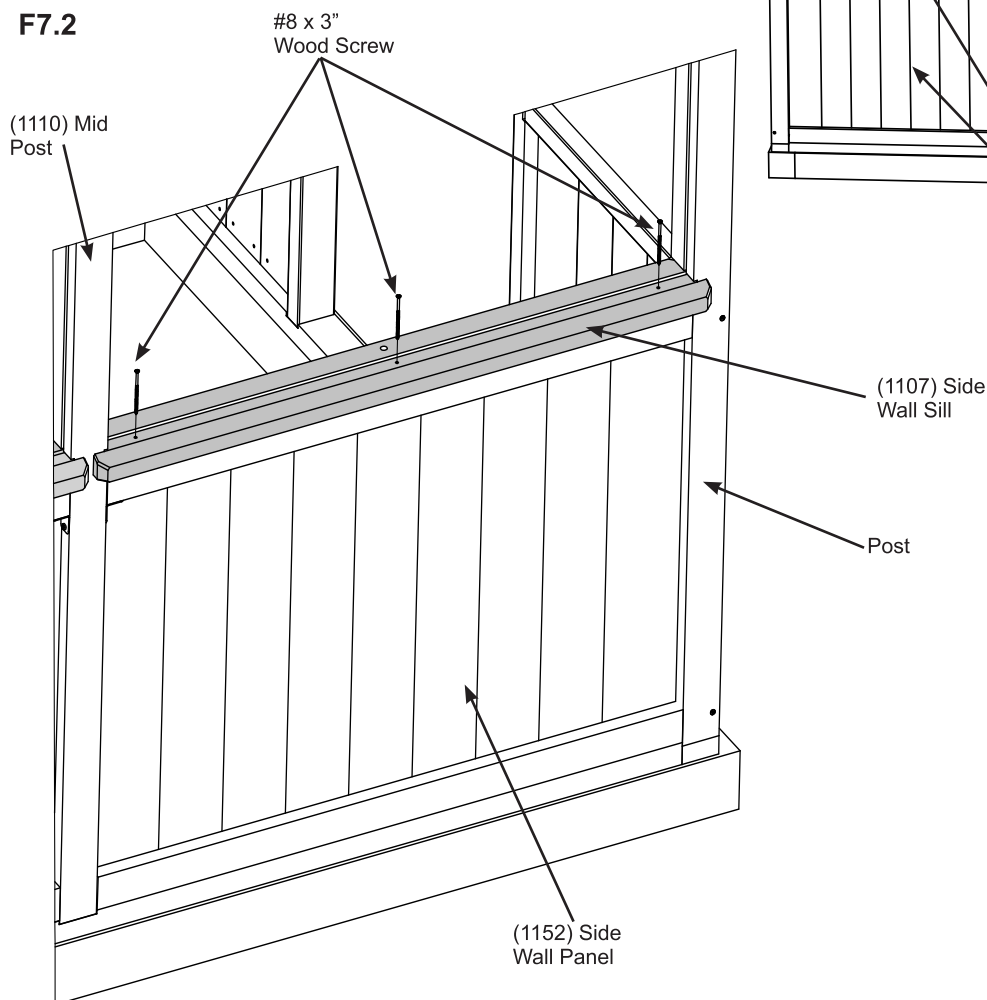
Step 7: Attach Side Wall Sills

A: Place one (1107) Side Wall Sill on top of each (1152) Side Wall Panel. Use one (1188) Guide Spacer in the grooves of each post and (1107) Side Wall Sill to line up posts with (1110) Mid Posts. Attach (1107) Side Wall Sills to (1152) Side Wall Panels with three #8 x 3" Wood Screws per panel. Remove (1188) Guide Spacer. (F7.1 and F7.2)

F7.1



F7.2



Guide Spacers to sit in grooves of Posts and Side Wall Sill to align Side Wall Sill correctly, then to be removed.

Wood Parts

4 x (1107) Side Wall Sill

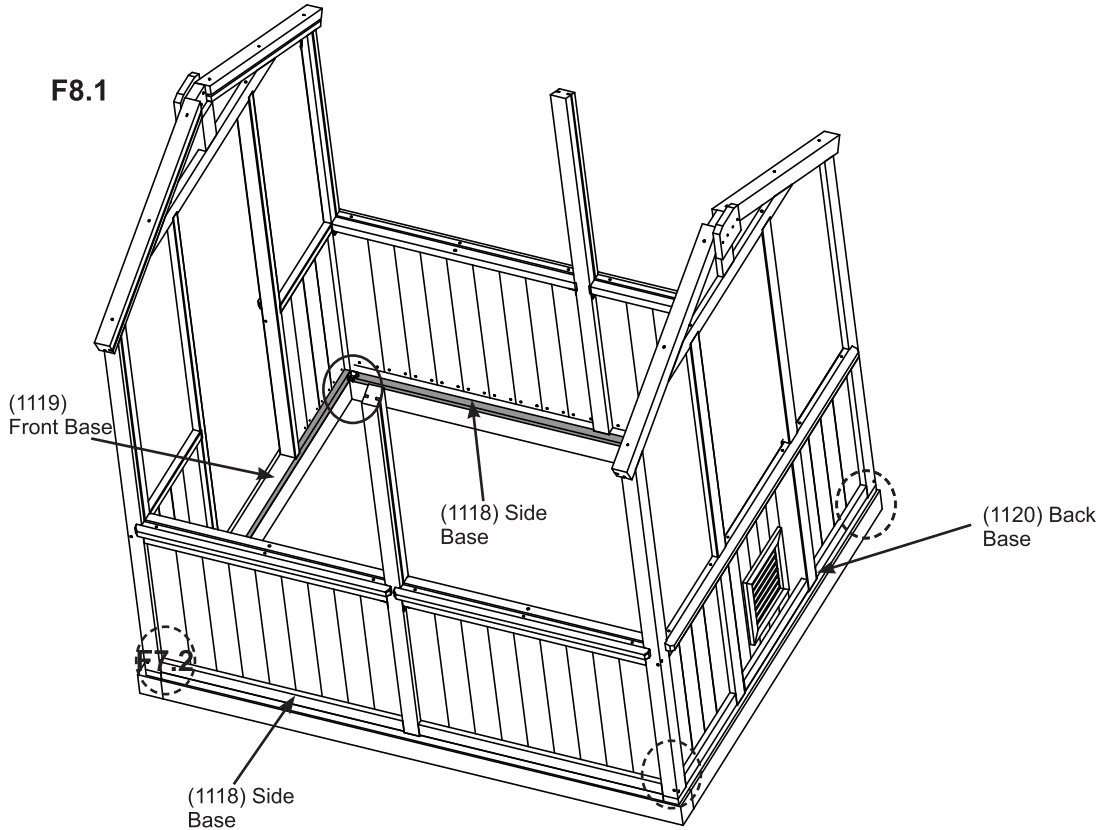
Hardware

12 x #8 x 3" Wood Screw

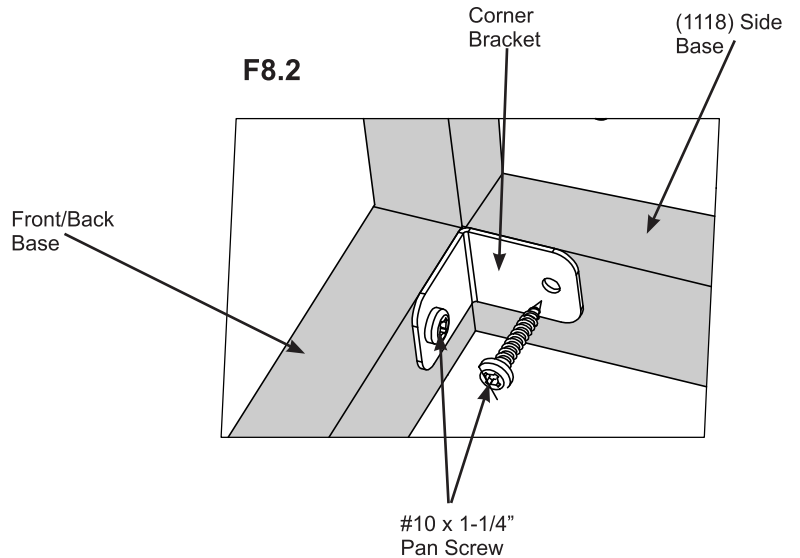
Step 8: Attach Corner Brackets Part 1

A: On the inside of the assembly, using one Corner Bracket per corner connect (1119) Front Base and (1120) Back Base to (1118) Side Bases with two #10 x 1-1/4" Pan Screws per bracket. (F8.1 and F8.2)

F8.1



F8.2



Components

4 x Corner Bracket

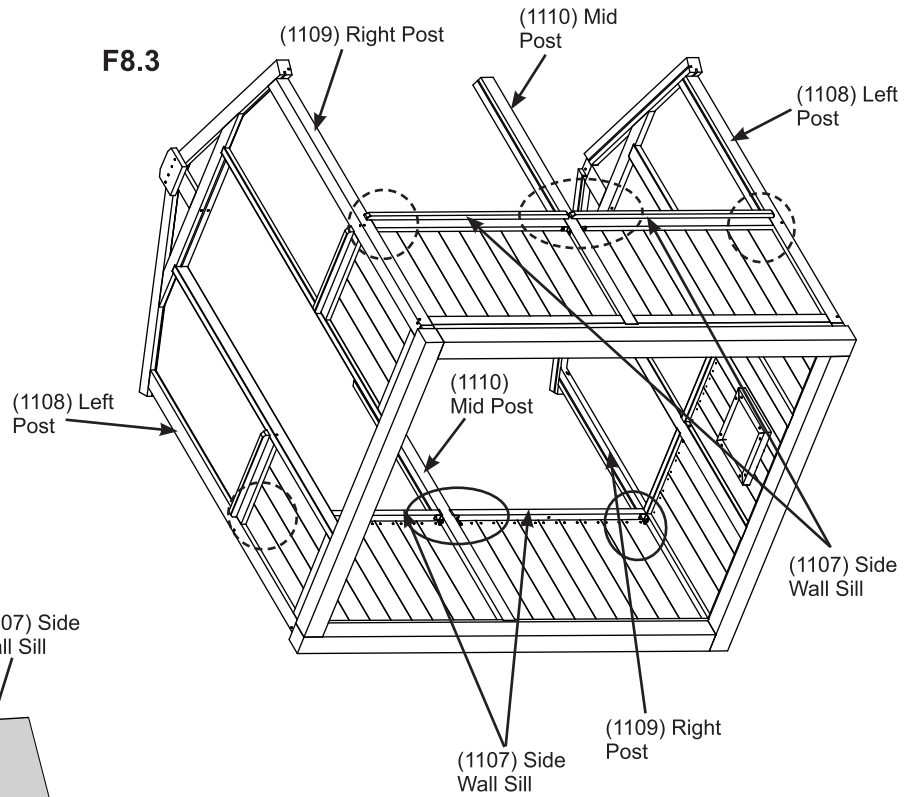
Hardware

8 x #10 x 1-1/4" Pan Screw

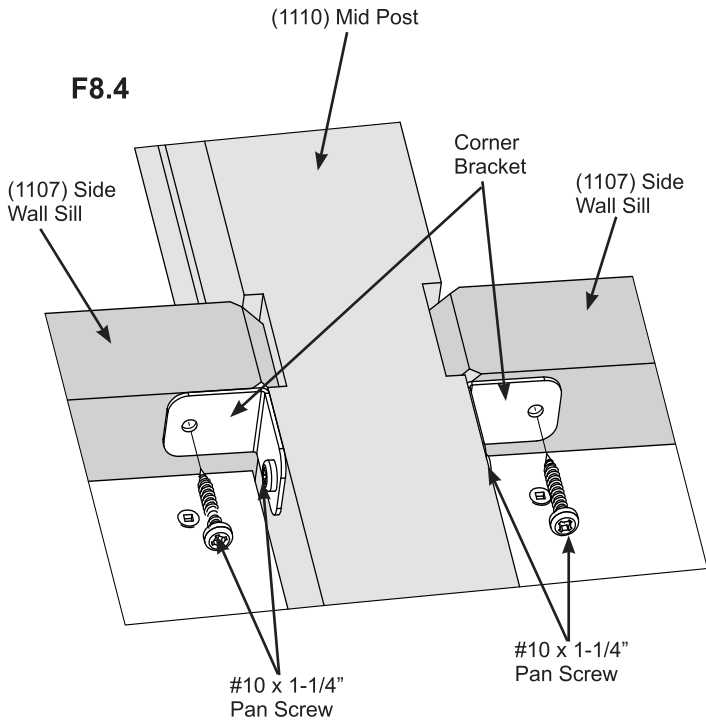
Step 8: Attach Corner Brackets Part 2

B: On the inside of the assembly, underneath each (1107) Side Wall Sill, using one Corner Bracket per corner connect each (1108) Left Post, (1109) Right Post and (1110) Mid Post to each (1107) Side Wall Sill with two #10 x 1-1/4" Pan Screws per bracket. (F8.3, F8.4 and F8.5)

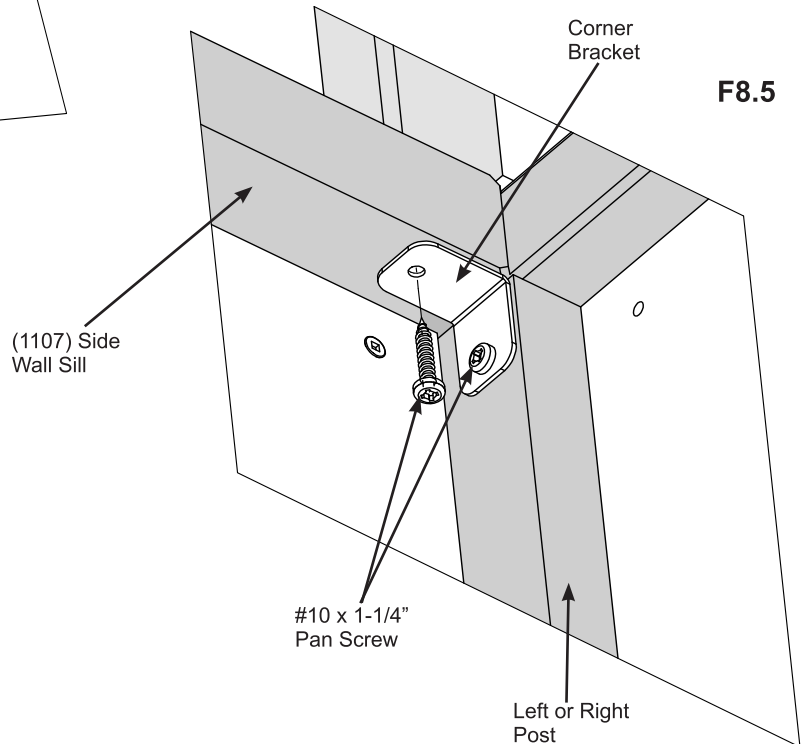
F8.3



F8.4



F8.5



Components

8 x Corner Bracket

Hardware

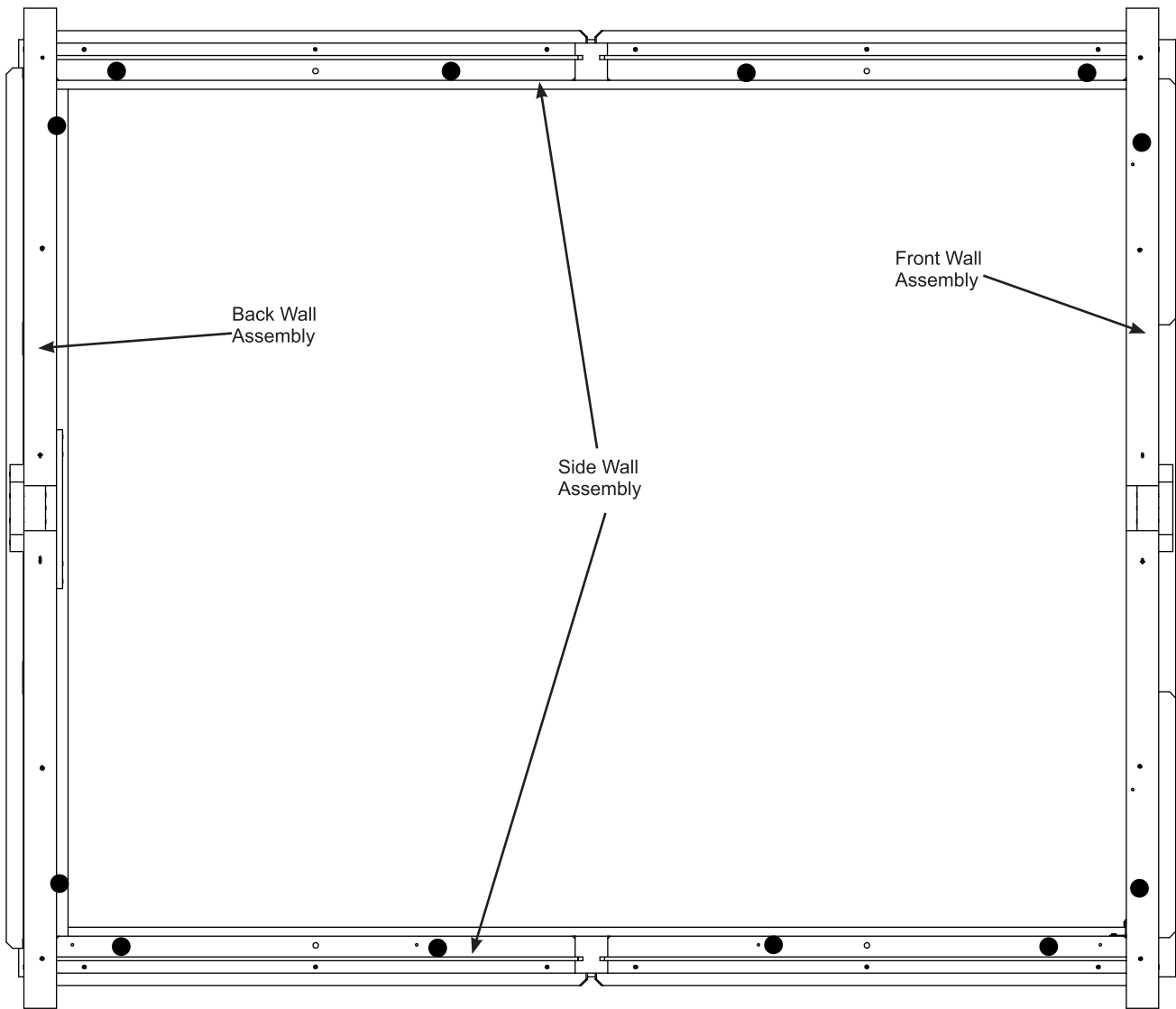
16 x #10 x 1-1/4" Pan Screw

Step 9: Secure Assembly to Base



A: Using the purchased hardware as mentioned on page 7, pre-drill then secure the Front Wall, Back Wall and Side Walls to the base in the locations shown in F9.1.

F9.1

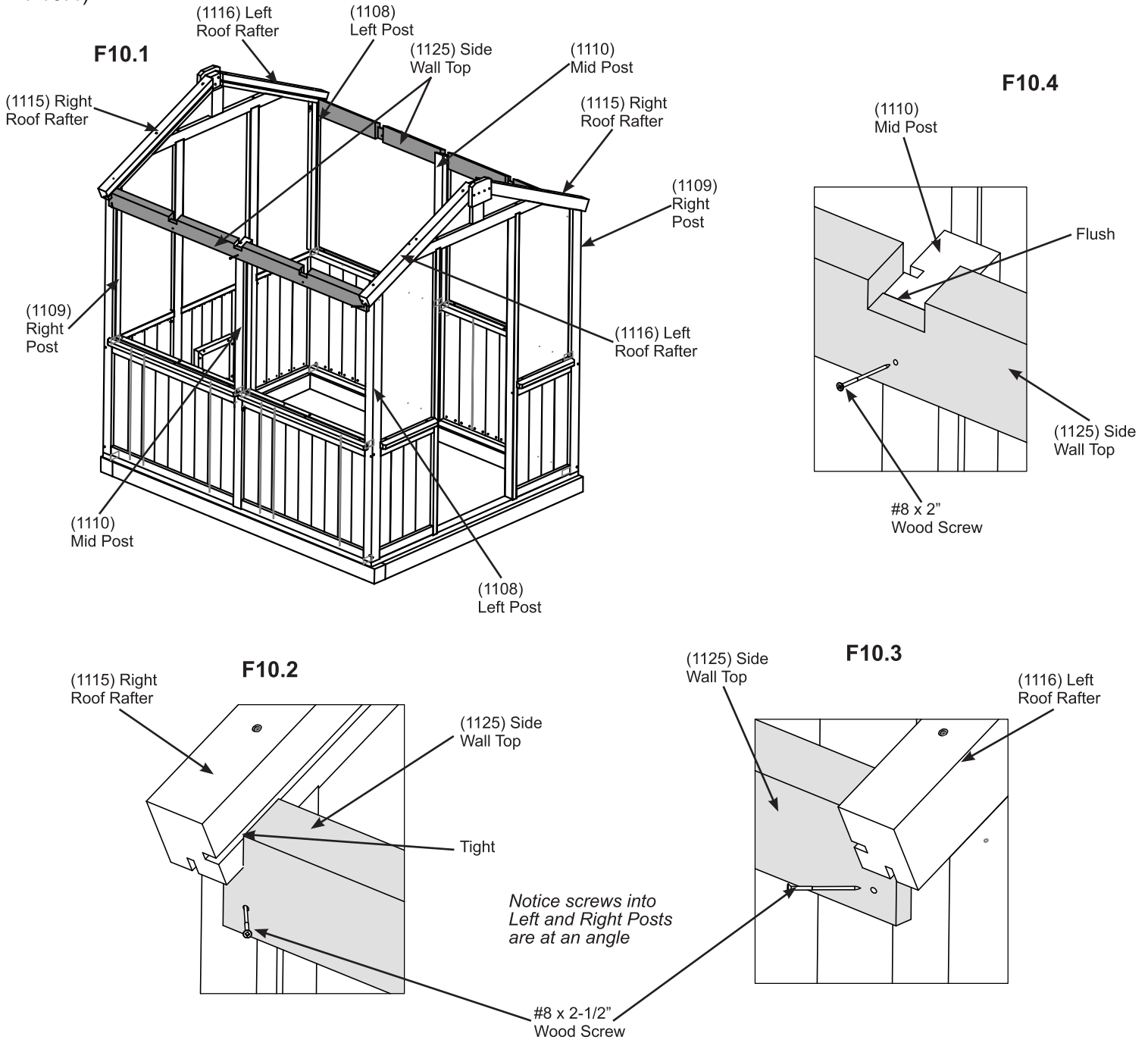




Step 10: Attach Side Wall Top

A: On each Side Wall Assembly place one (1125) Side Wall Top tight to bottom of (1115) Right Roof Rafters and (1116) Left Roof Rafters, so notches are at the top. Centre notch to be flush to the top of (1110) Mid Post. Attach (1125) Side Wall Top to (1108) Left Posts and (1109) Right Posts with one #8 x 2-1/2" Wood Screw per post. Screws are to be installed an an angle. (F10.1, F10.2 and F10.3)

B: Attach (1125) Side Wall Tops to each (1110) Mid Post with one #8 x 2" Wood Screw per post. (F10.1 and F10.4)



Wood Parts

2 x (1125) Side Wall Top

Hardware

4 x #8 x 2-1/2" Wood Screw

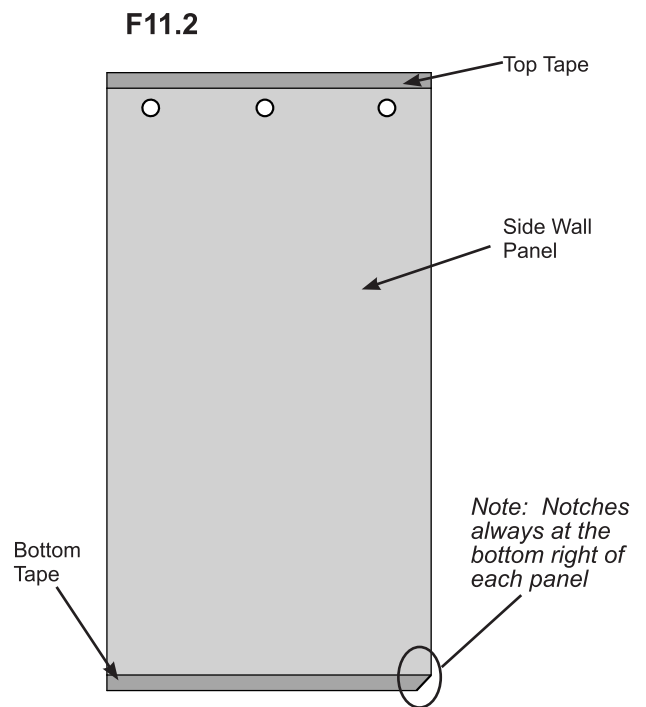
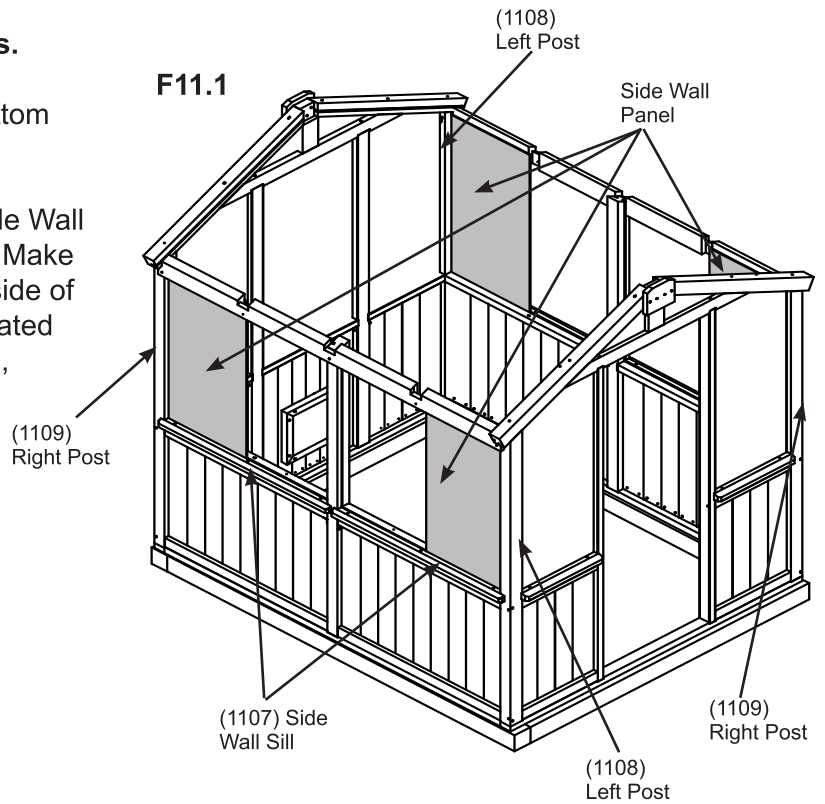
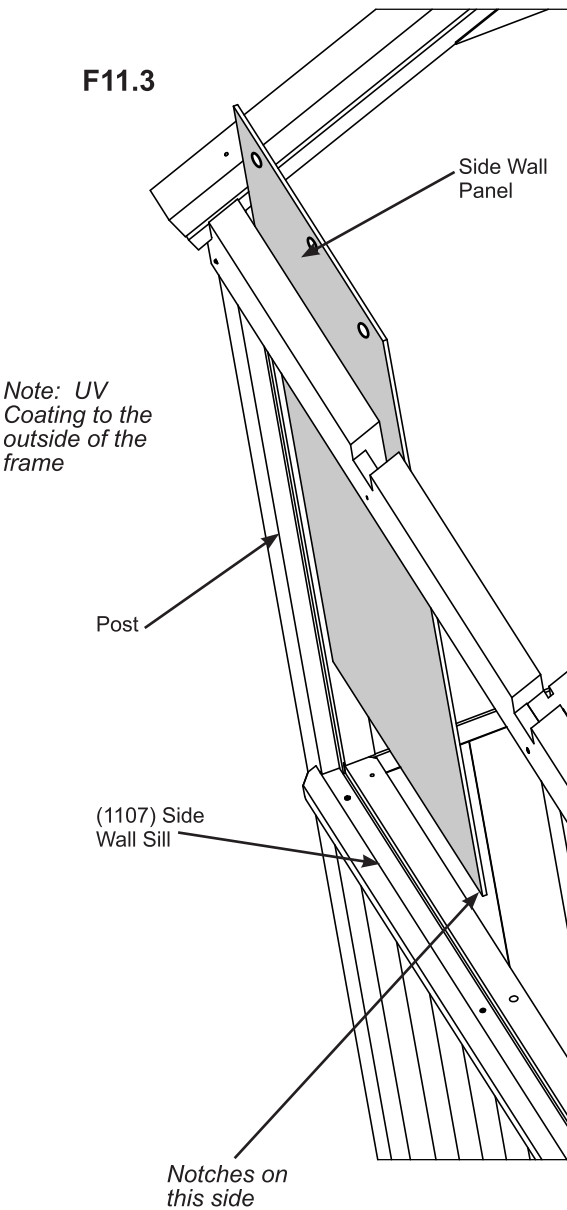
2 x #8 x 2" Wood Screw

Step 11: Side Wall Panel Assembly Part 1

Remove film from both sides of Side Wall Panels.

A: Refer to pages 16 and 17 and apply top and bottom tape to Side Wall Panels.

B: Put Side Wall Panel in the grooves of (1107) Side Wall Sill then slide into grooves of Left and Right Posts. Make sure the notch at the bottom is always on the right side of the panel from outside of the assembly. The UV coated side must be to the outside of the assembly. (F11.1, F11.2 and F11.3)



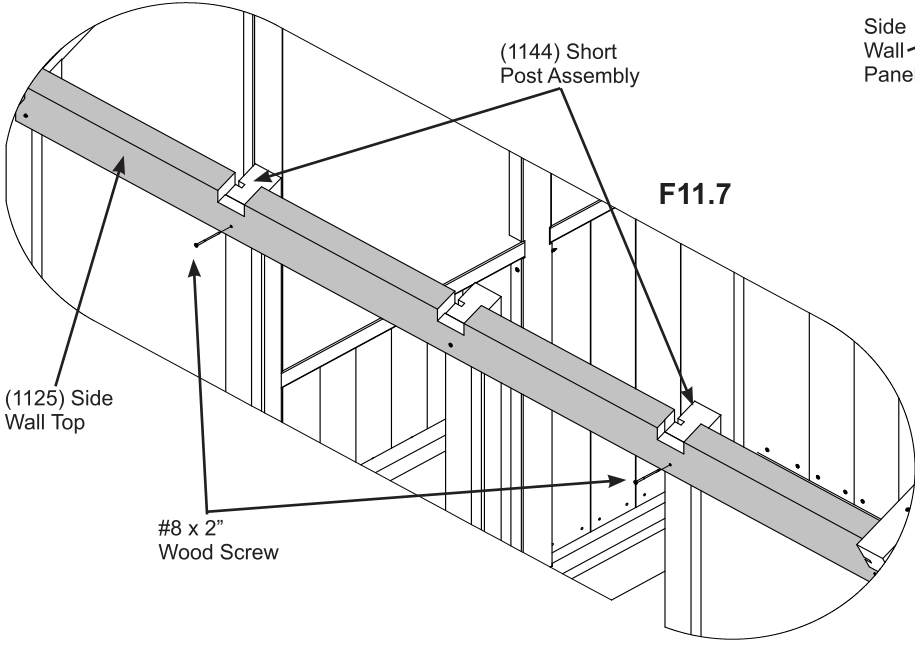
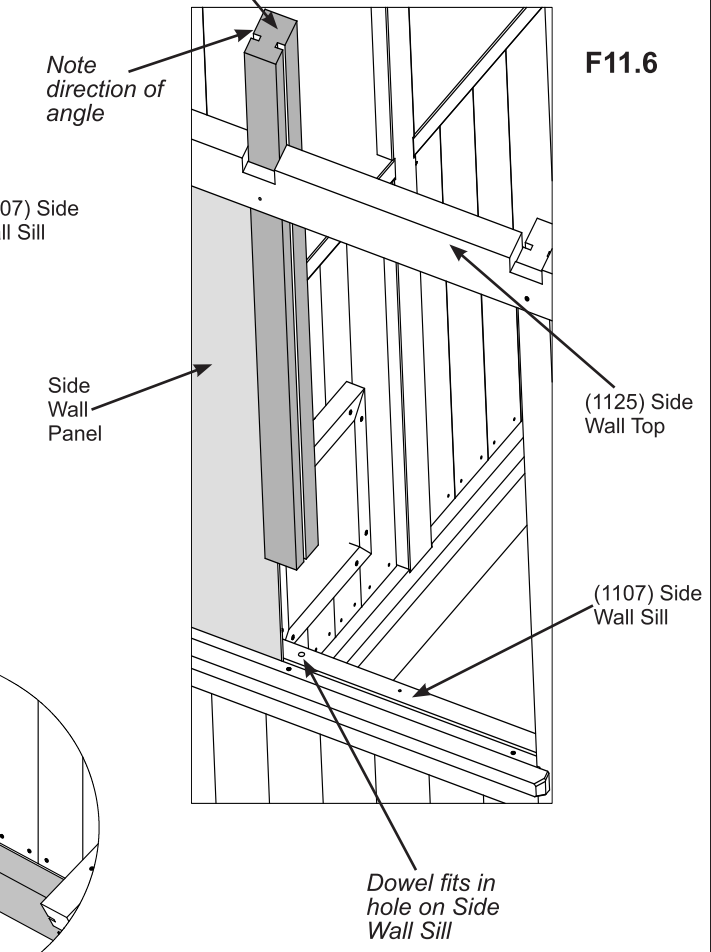
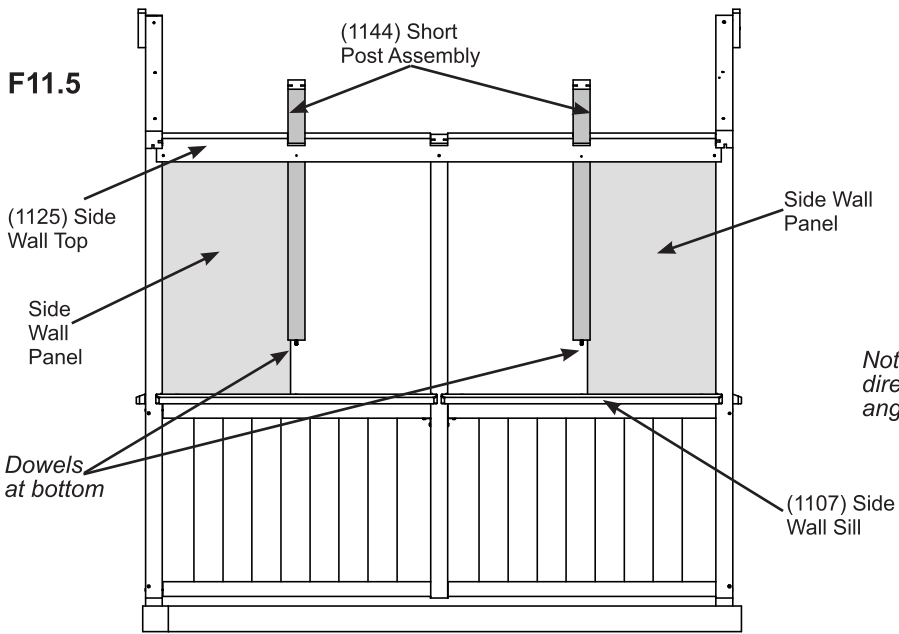
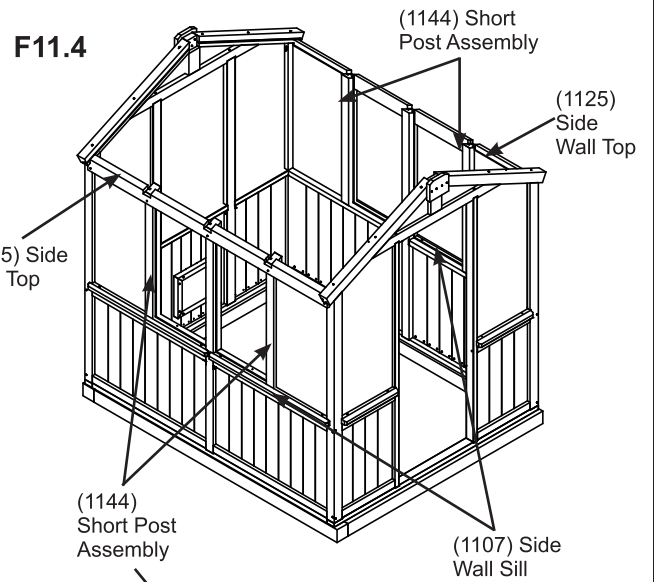
Components

4 x Side Wall Panel
Top Tape
Bottom Tape

Step 11: Side Wall Panel Assembly Part 2

C: Slide one (1144) Short Post Assembly down along the sides of each Side Wall Panel so they fit in the notches of (1125) Side Wall Tops. Dowel is at the bottom and fits in (1107) Side Wall Sills. Note the direction of the angle at the top. (F11.4, F11.5 and F11.6)

D: Attach (1125) Side Wall Tops to each (1144) Short Post Assembly with one #8 x 2" Wood Screw per post. (F11.4 and F11.7)



Wood Parts

4 x (1144) Short Post Assembly

Hardware

4 x #8 x 2" Wood Screw