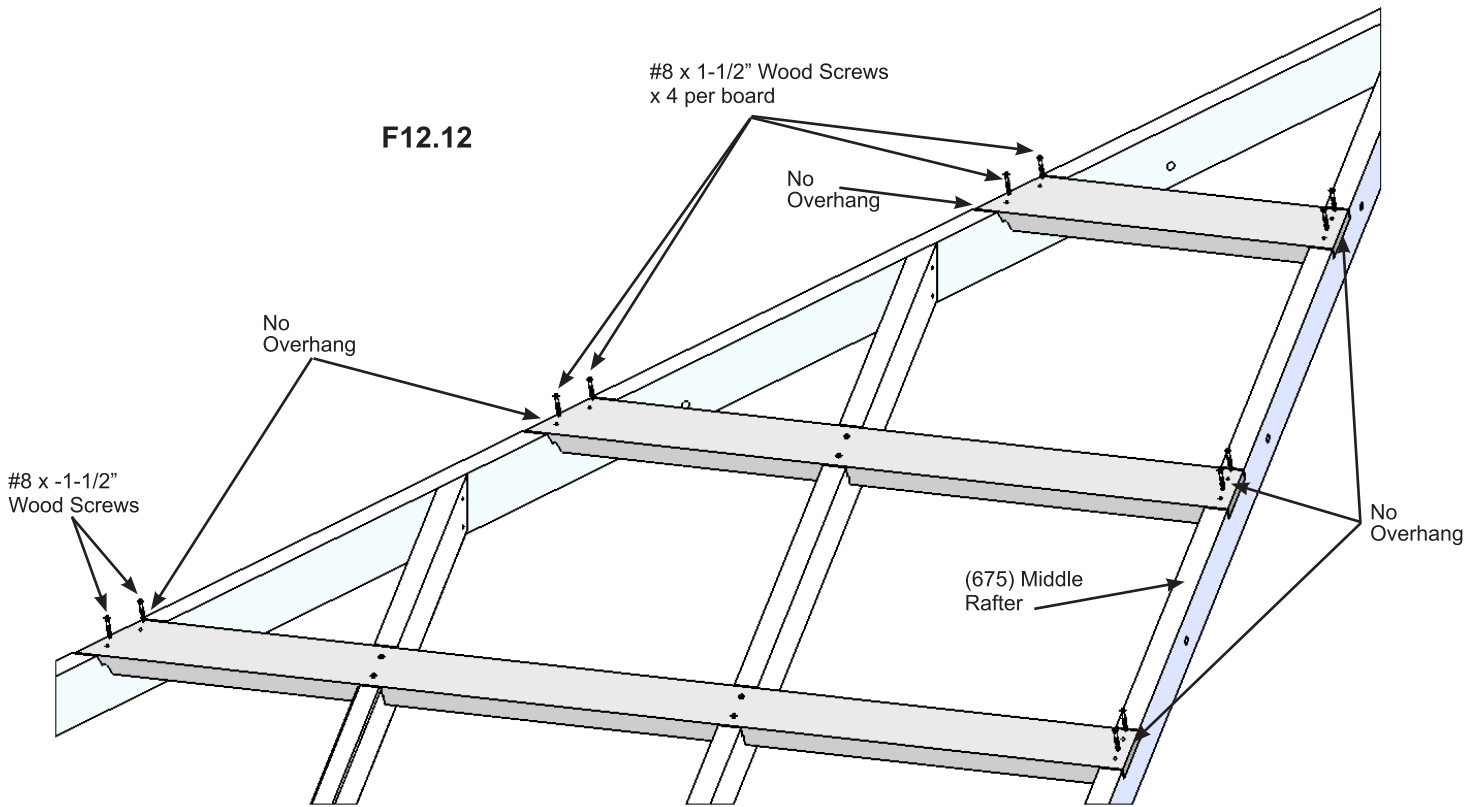
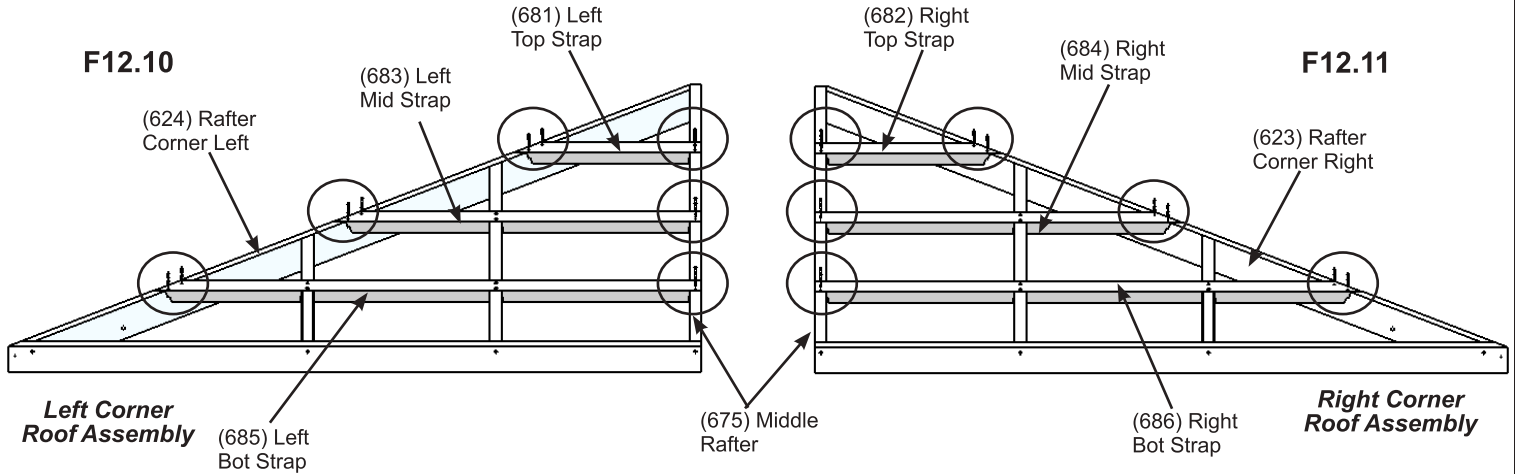


Step 12: Corner Roof Assemblies

Part 3

E: For each Left Corner Roof Panel place one (681) Left Top Strap, one (683) Left Mid Strap and one (685) Left Bot Strap in the notches of each rafter so the ends do not overhang the outside edges of the outside boards then attach with four #8 x 1-1/2" Wood Screws per strap. (F12.10 and F12.12)

F: For each Right Corner Roof Panel place one (682) Right Top Strap, one (684) Right Mid Strap and one (686) Right Bot Strap in the notches of each rafter so the ends do not overhang the outside edges of the outside boards then attach with four #8 x 1-1/2" Wood Screws per strap. (F12.11 and F12.12)



Wood Parts

- | | |
|---------------------------|---------------------------|
| 2 x (681) Left Top Strap | 2 x (684) Right Mid Strap |
| 2 x (682) Right Top Strap | 2 x (685) Left Bot Strap |
| 2 x (683) Left Mid Strap | 2 x (686) Right Bot Strap |

Hardware

- 48 x #8 x 1-1/2" Wood Screw

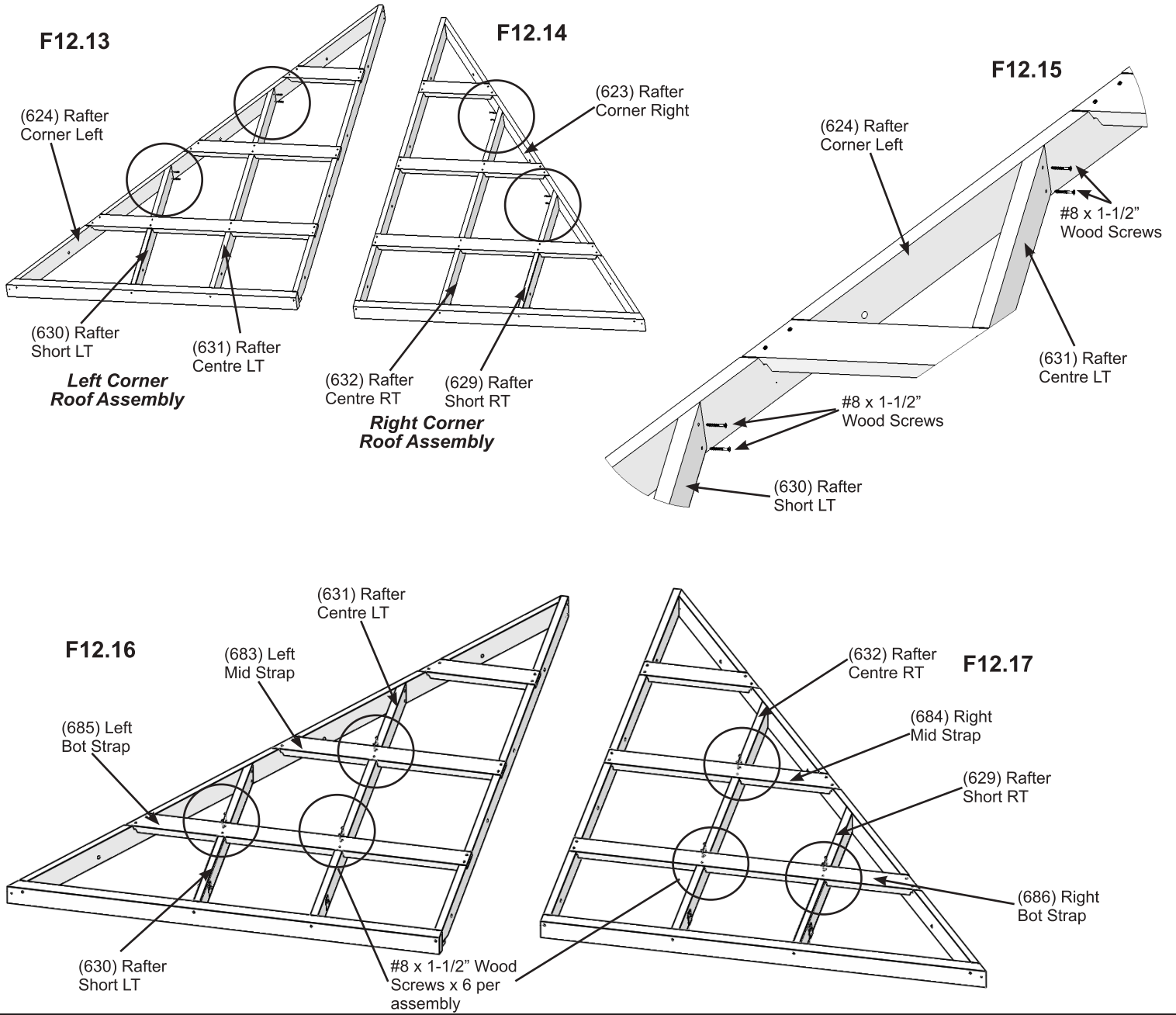
Step 12: Corner Roof Assemblies

Part 4

G: Attach (629) Rafter Short RT and (632) Rafter Centre RT to (623) Rafter Corner Right and (631) Rafter Centre LT and (630) Rafter Short LT to (624) Rafter Corner Left with two #8 x 1-1/2" Wood Screw per rafter. (F12.13, F12.14 and F12.15)

H: Attach (684) Right Mid Strap and (686) Right Bot Strap to (629) Rafter Short RT and (632) Rafter Centre RT; and (683) Left Mid Strap and (685) Left Bot Strap to (630) Rafter Short LT and (631) Rafter Centre LT with 12 #8 x 1-1/2" Wood Screws. (F12.16 and F12.17)

I: Complete Steps G and H for all Corner Roof Assemblies.

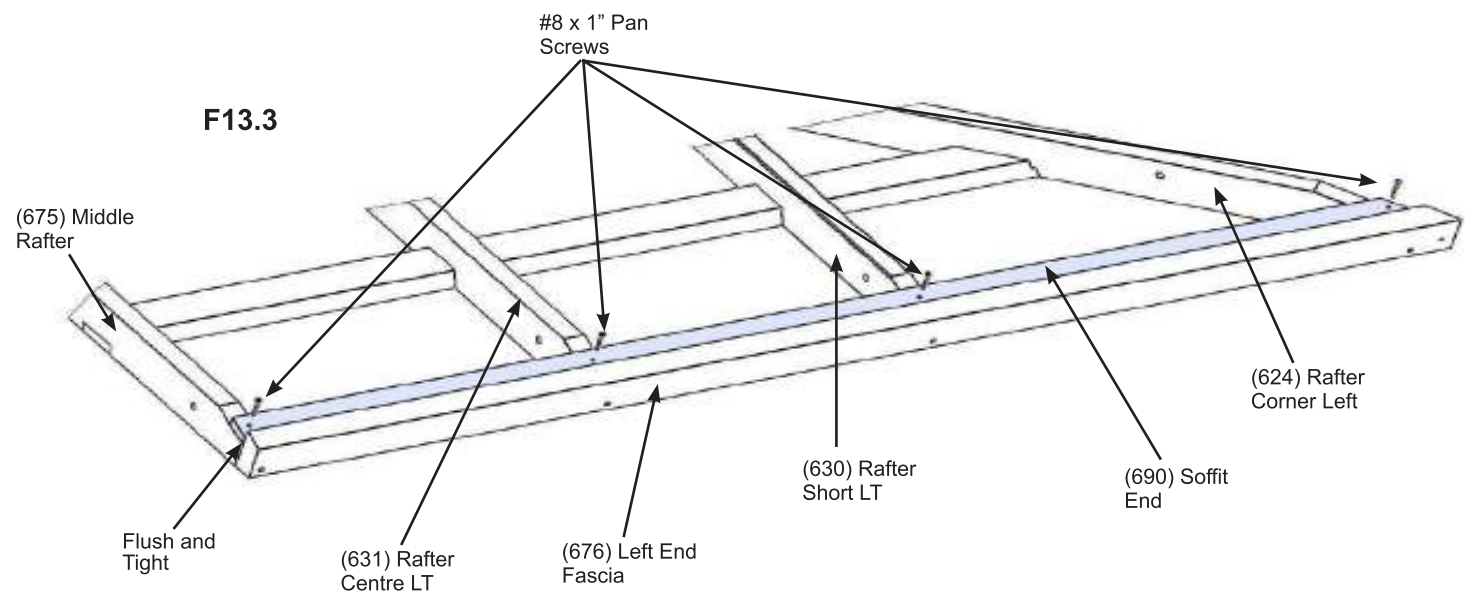
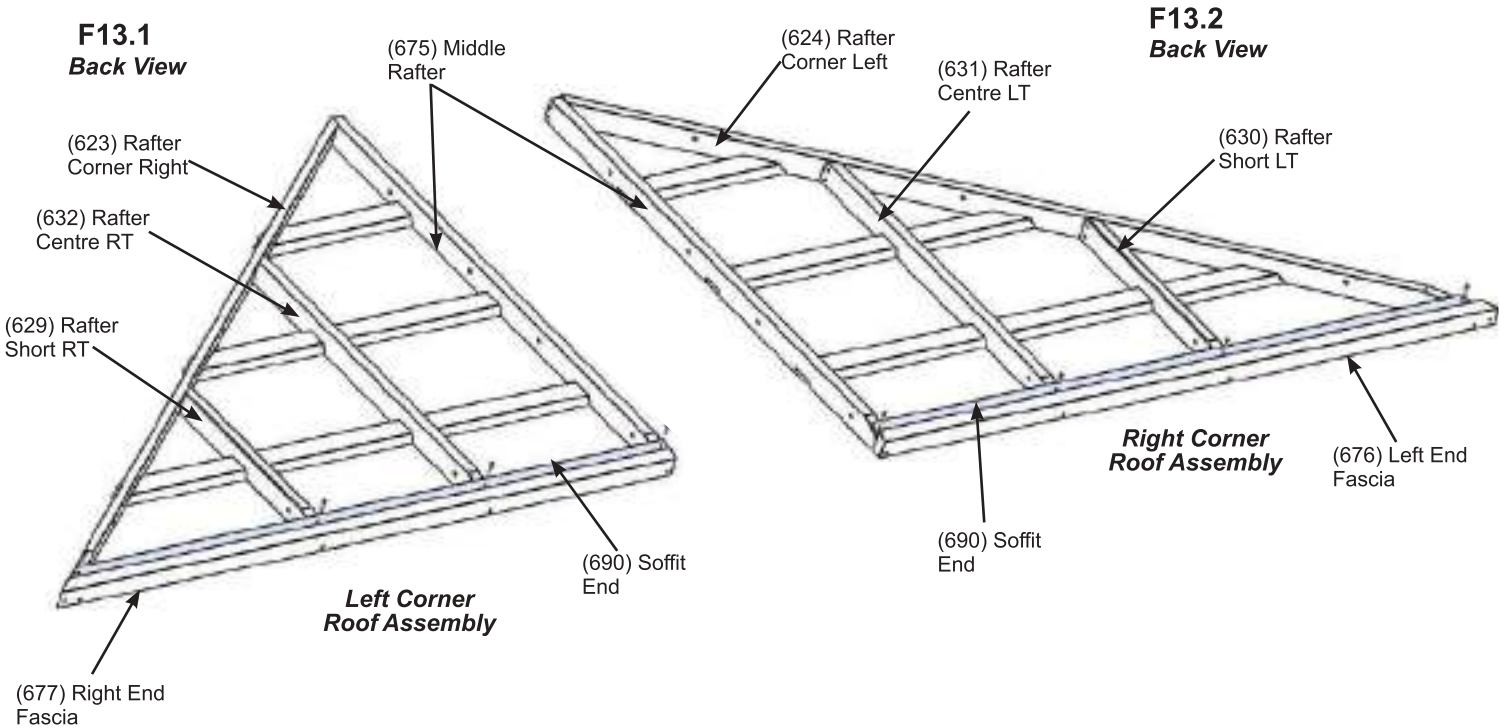


Hardware

40 x #8 x 1-1/2" Wood Screw

Step 13: Attach Soffits - Corner Roof Assemblies

A: Turn over each Corner Roof Assembly then place one (690) Soffit End tight to the top of each (676) Left End Fascia and each (677) Right End Fascia. Each (690) Soffit End must be flush with the outside edge of (675) Middle Rafter. Attach (690) Soffit Ends to each (675) Middle Rafter, (623) Rafter Corner Right, (624) Rafter Corner Left, (629) Rafter Short RT, (630) Rafter Short LT, (632) Rafter Centre RT and (631) Rafter Centre LT with four #8 x 1" Pan Screws per soffit. (F13.1, F13.2 and F13.3)



Wood Parts

4 x (690) Soffit End

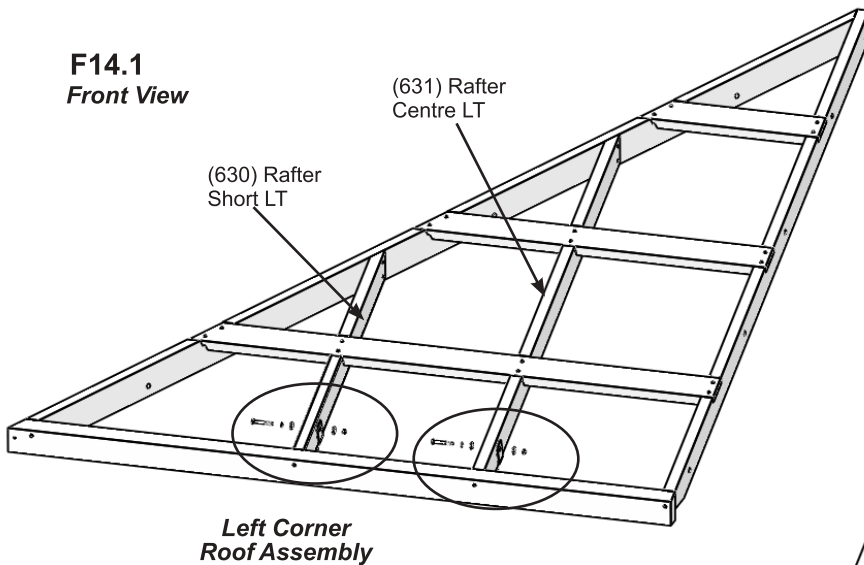
Hardware

16 x #8 x 1" Pan Screw

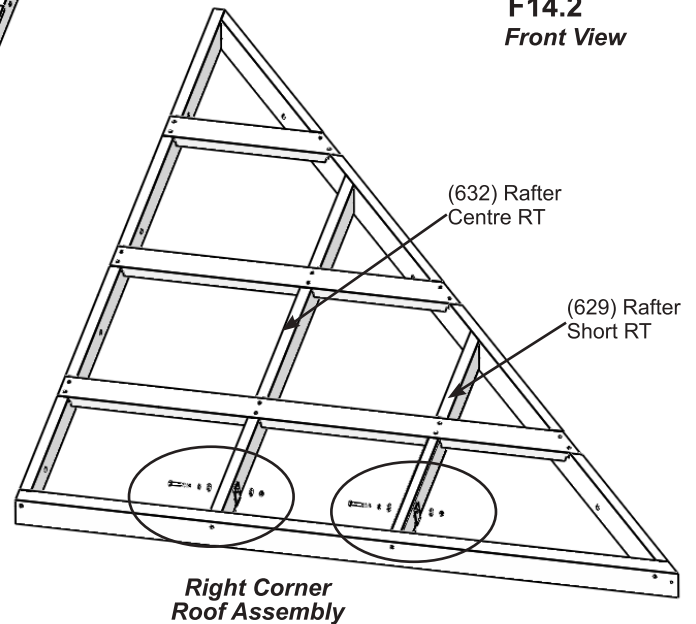
Step 14: Attach Roof to Beam Brackets - Corner Roof Assemblies

A: Turn the assemblies back over then on the back of each Corner Roof Assembly, through the bolt hole at the bottom of the board, loosely attach one Roof to Beam Bracket to (629) Rafter Short RT, (632) Rafter Centre RT, (630) Rafter Short LT and (631) Rafter Centre LT with one 1/4 x 2" Hex Bolt (with two 1/4-5/16" large washers and one 1/4" lock nut) per bracket. (F14.1, F14.2, F14.3 and F14.4)

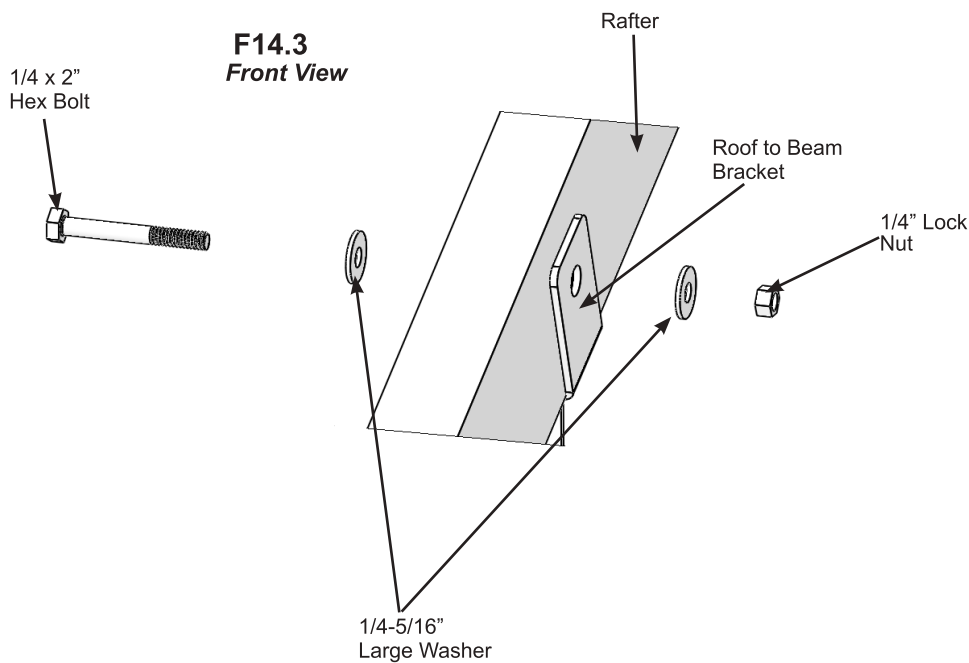
F14.1
Front View



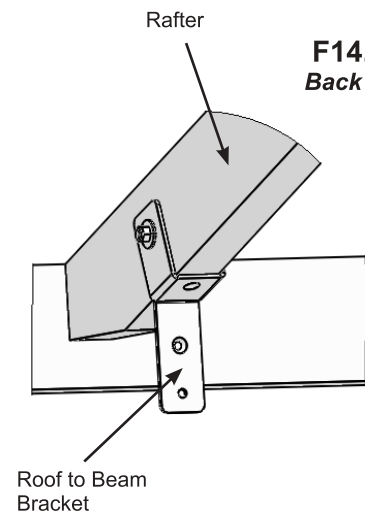
F14.2
Front View



F14.3
Front View



F14.4
Back View



Components

8 x Roof to Beam Bracket

Hardware

8 x 1/4 x 2" Hex Bolt
(1/4-5/16" large washer x 2, 1/4" lock nut)

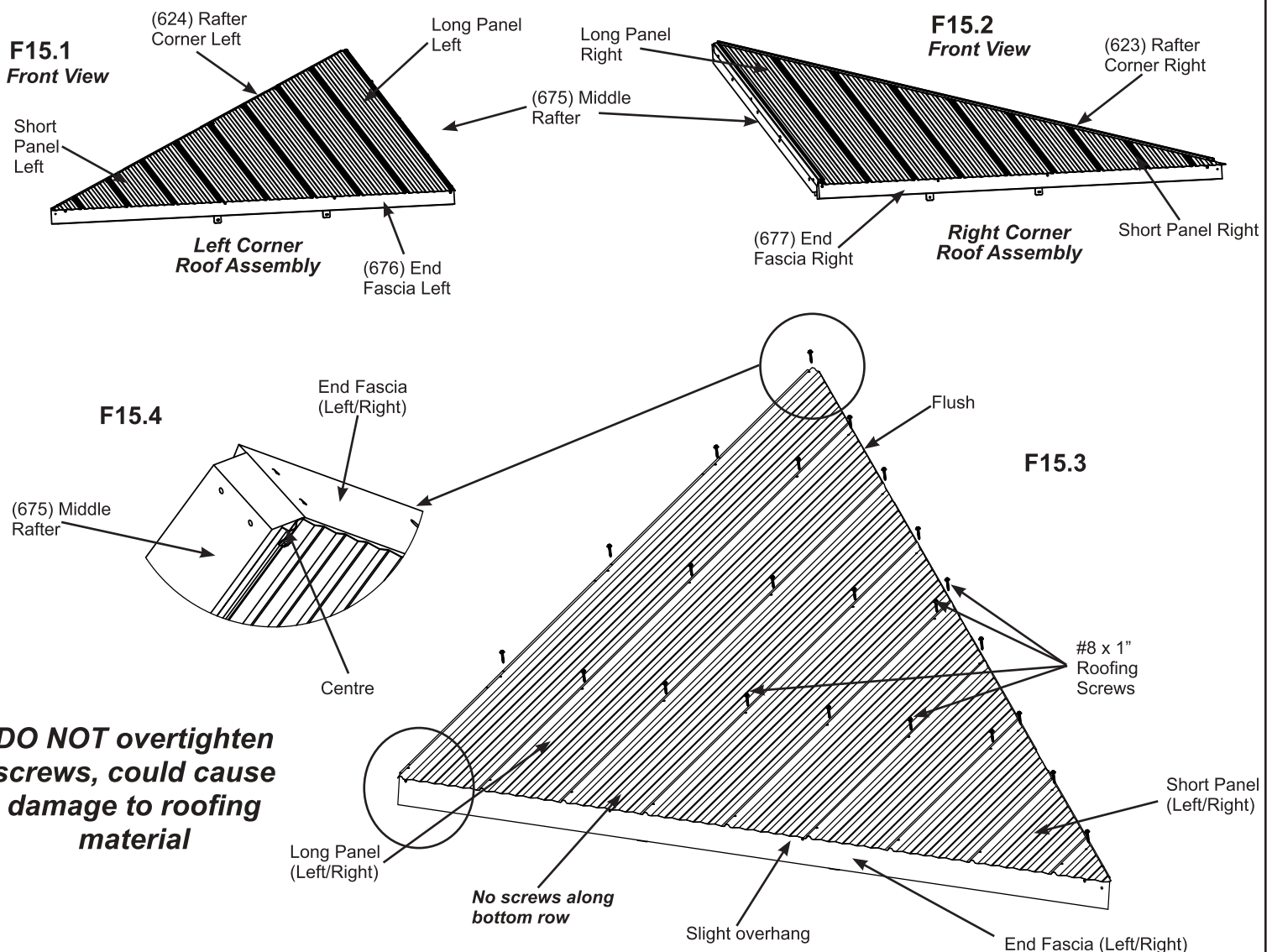
Step 15: Attach Roof Panels - Corner Roof Assemblies

IMPORTANT!: Before starting this step, be sure to refer back to pages 34 & 35 regarding correct installation and handling of the roofing.

A: On the front of each Left Corner Roof Assembly place one Long Panel Left and one Short Panel Left so they are flush to the side of (624) Rafter Corner Left and the rib of Long Panel Left is centre on (675) Middle Rafter. There will be a slight overhang at the bottom of the (676) End Fascia Left. Short Panel Left should overlap Long Panel Left. There should be no overhang at the corners. (F15.1, F15.3 and F15.4)

B: On the front of each Right Corner Roof Assembly place one Long Panel Right and one Short Panel Right so they are flush to the sides of (623) Rafter Corner Right and the rib of Long Panel Right is centre on (675) Middle Rafter. There will be a slight overhang at the bottom of the (677) End Fascia Right. Short Panel Right should overlap Long Panel Right. There should be no overhang at the corners. (F15.2, F15.3 and F15.4)

C: Attach Long and Short Panels to each Corner Roof Assembly with 24 #8 x 1" Roofing Screws in locations shown in F15.3. Do not place any screws along the bottom row. Be sure not to overtighten screws.



DO NOT overtighten screws, could cause damage to roofing material

Roof Parts

- 2 x Long Panel Left
- 2 x Long Panel Right
- 2 x Short Panel Left
- 2 x Short Panel Right

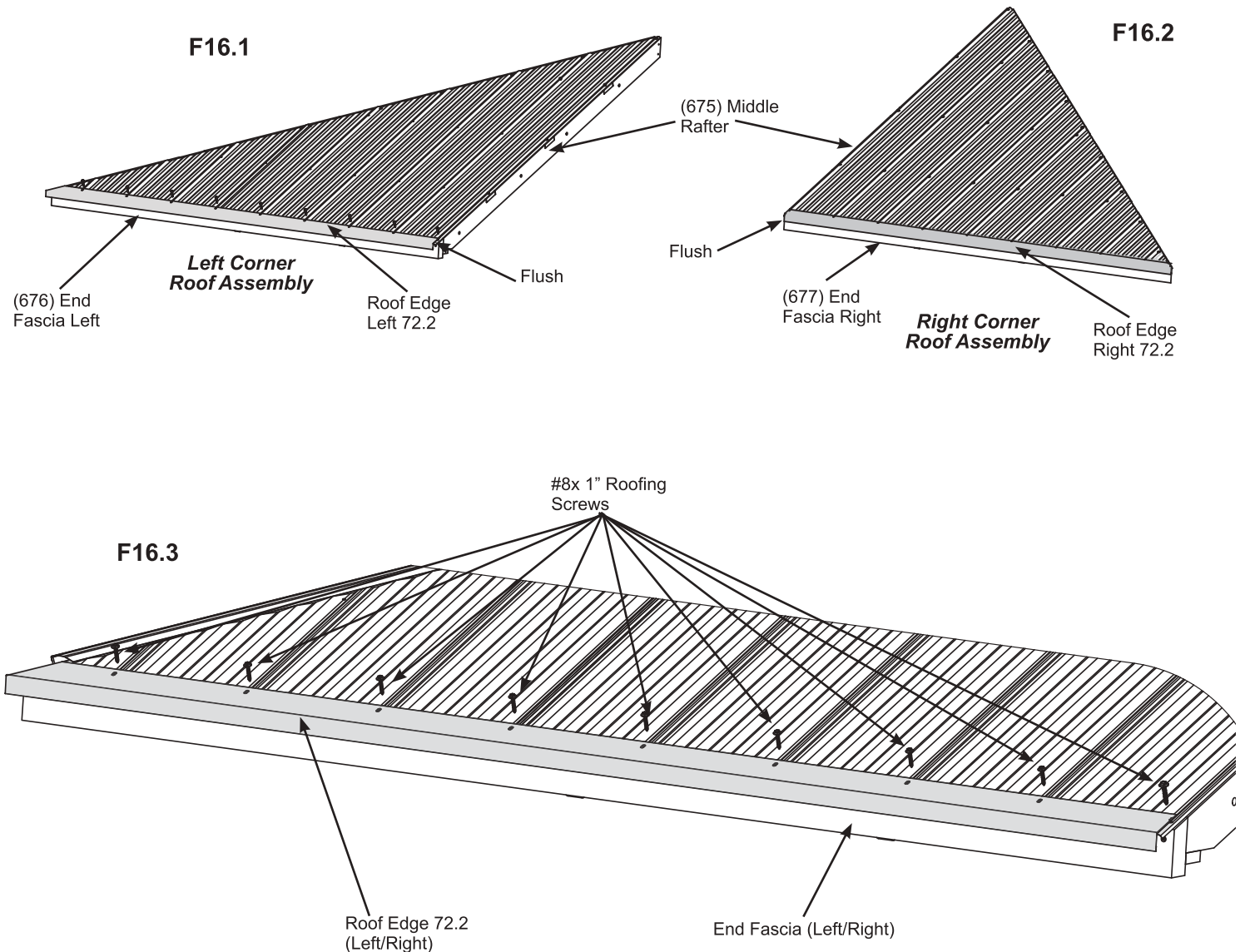
Hardware

- 96 x #8 x 1" Roofing Screw

Step 16: Attach Roof Edges - Corner Roof Assemblies

A: On the bottom of each Left Corner Roof Assembly place one Roof Edge Left 72.2 so the holes in the Roof Edge Left line up with the holes in the panels then attach Roof Edges with nine #8 x 1" Roofing Screws per Left Corner Roof Assembly. (F16.1 and F16.3)

B: On the bottom of each Right Corner Roof Assembly place one Roof Edge Right 72.2 so the holes in the Roof Edge Right line up with the holes in the panels then attach Roof Edges with nine #8 x 1" Roofing Screws per Right Corner Roof Assembly. (F16.2 and F16.3)



Components

2 x Roof Edge Left 72.2
2 x Roof Edge Right 72.2

Hardware

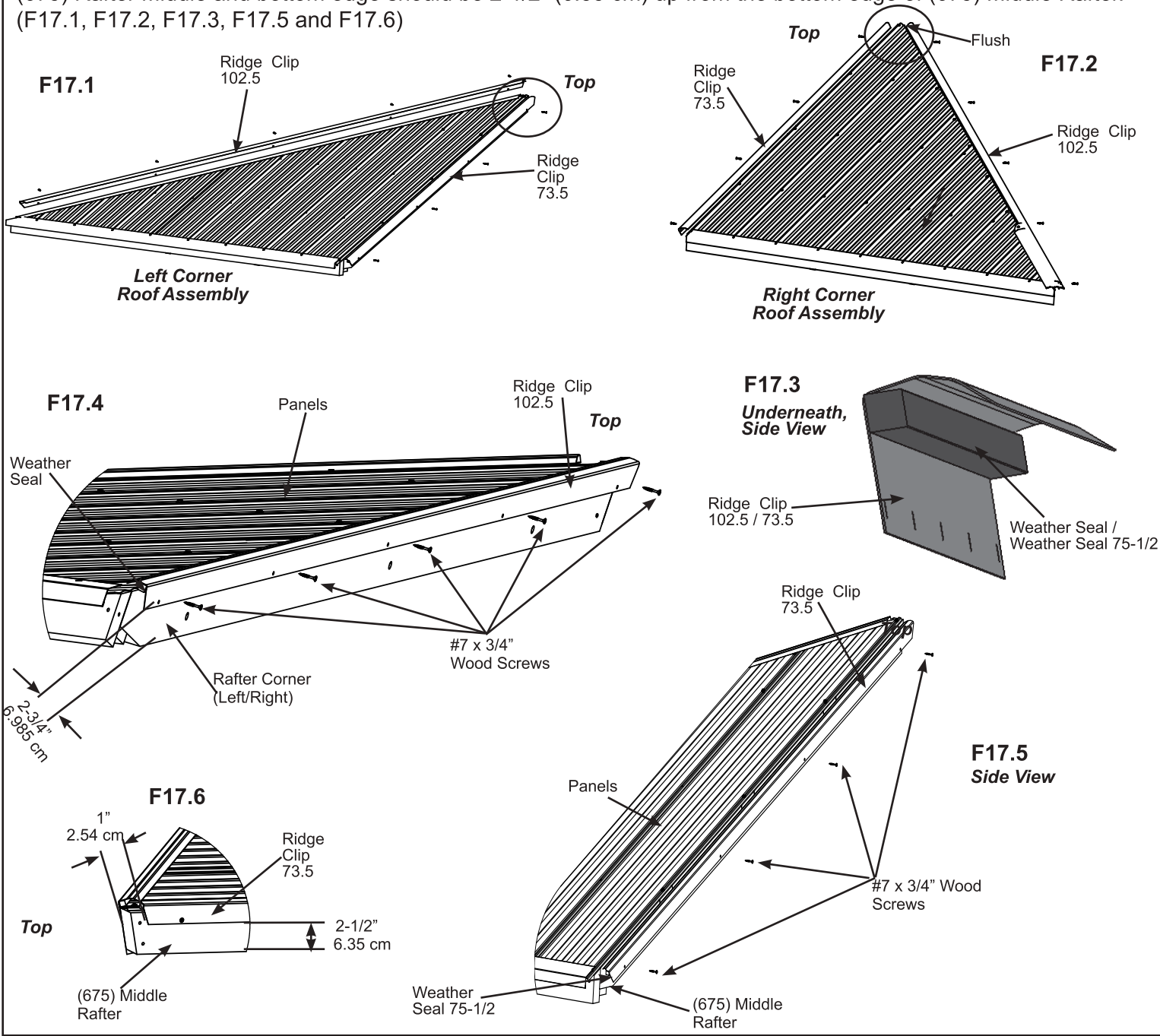
36 x #8 x 1" Roofing Screw

Step 17: Attach Ridge Clips - Corner Roof Assemblies



A: Place one Weather Seal on the inside of four Ridge Clip 102.5 then place one Ridge Clip 102.5 on each (623) Rafter Corner Right and each (624) Rafter Corner Left so they cover the panels and are flush to the top, then attach with five #7 x 3/4" Wood Screws per Ridge Clip 102.5. Bottom edge of Ridge Clip 102.5 should be 2-3/4" (6.985 cm) up from the bottom edge of Rafter Corners Left and Right. (F17.1, F17.2, F17.3 and F17.4)

B: Place one Weather Seal 75-1/2 on the inside of four Ridge Clip 73.5 then place one Ridge Clip 73.5 on each (675) Middle Rafter on both Left and Right Corner Roof Assemblies so they cover the panels and attach with four #7 x 3/4" Wood Screws per Ridge Clip 73.5. The top of each Ridge Clip 73.5 should be 1" (2.54 cm) from the tip of (675) Rafter Middle and bottom edge should be 2-1/2" (6.35 cm) up from the bottom edge of (675) Middle Rafter. (F17.1, F17.2, F17.3, F17.5 and F17.6)



Components

- 4 x Ridge Clip 102.5
- 4 x Ridge Clip 73.5
- 4 x Weather Seal
- 4 x Weather Seal 75-1/2

Hardware

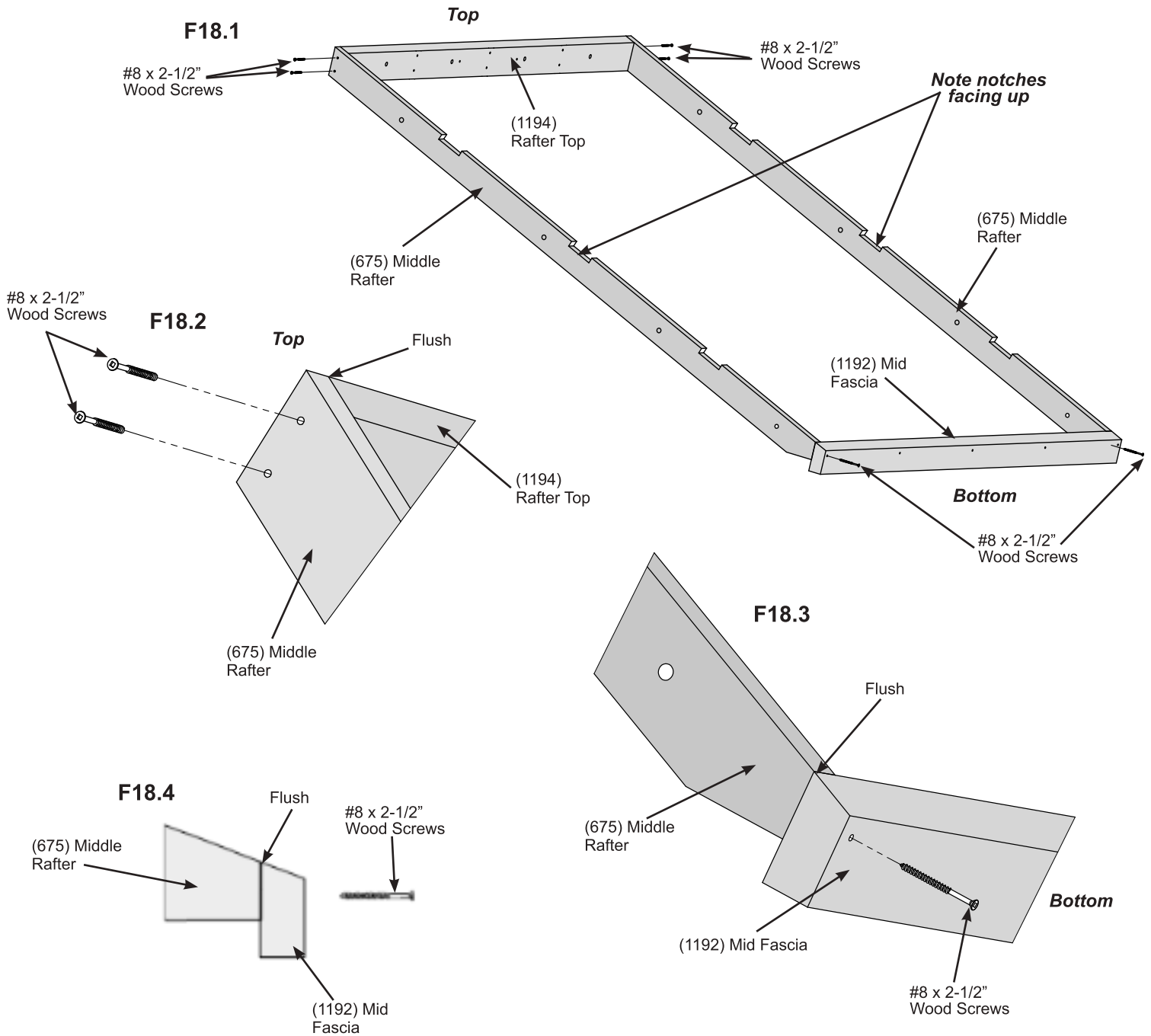
- 36 x #7 x 3/4" Wood Screw

Step 18: Large Roof Assembly Part 1

A: On each side of one (1194) Rafter Top place one (675) Middle Rafter so the tops and edges are flush then attach with two #8 x 2-1/2" Wood Screws per side. (F18.1 and F18.2)

B: Place one (1192) Mid Fascia on the bottom of each (675) Middle Rafter so the sides and top are flush then attach with one #8 x 2-1/2" Wood Screw at each end. (F18.1, F18.3 and F18.4)

C: Repeat Steps A and B to make three more Large Roof Assemblies.



Wood Parts

- 8 x (675) Middle Rafter
- 4 x (1192) Mid Fascia
- 4 x (1194) Rafter Top

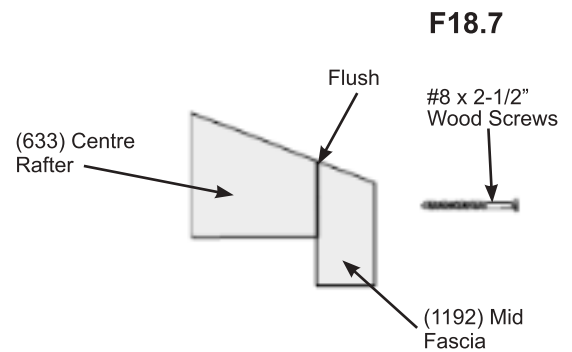
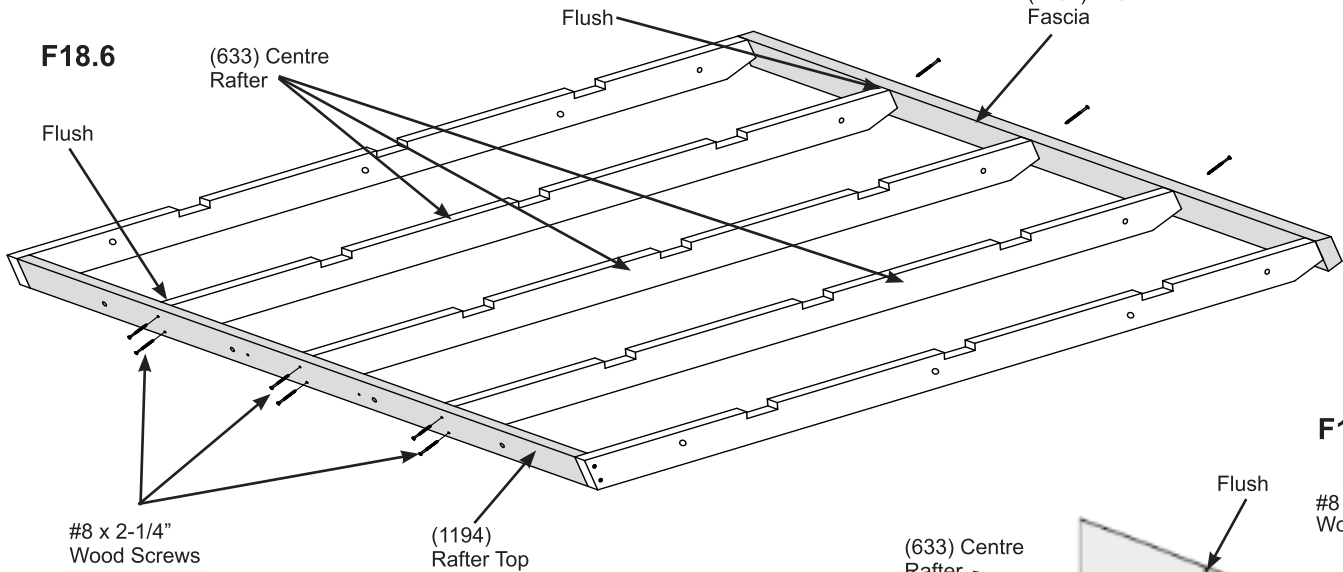
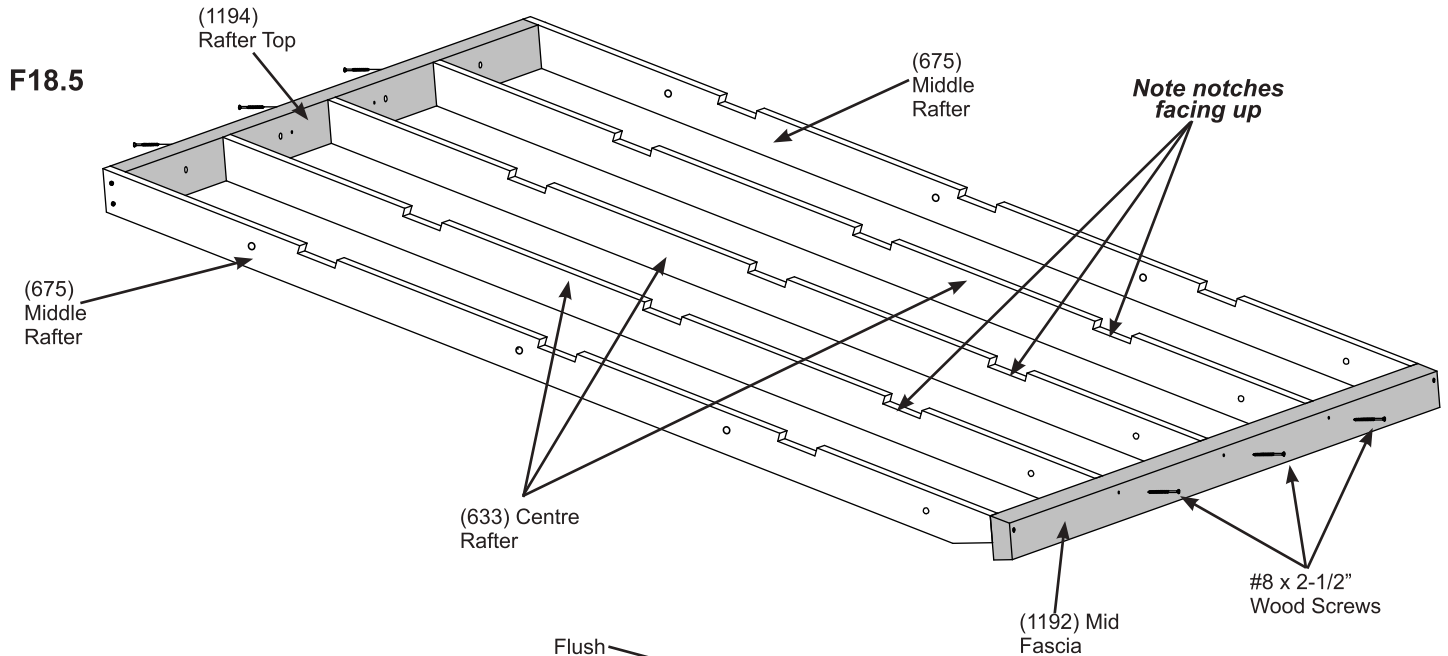
Hardware

- 24 x #8 x 2-1/2" Wood Screw

Step 18: Large Roof Assembly Part 2



D: Place three (633) Centre Rafters over the pilot holes in (1192) Mid Fascia and (1194) Rafter Top so they are flush to the top of each board, as shown in F18.5. Make sure (633) Centre Rafters are square to (1192) Mid Fascia and (1194) Rafter Top then attach (1194) Rafter Top to rafters with two #8 x 2-1/4" Wood Screws per rafter and (1192) Mid Fascia to rafters with one #8 x 2-1/2" Wood Screw per rafter. Repeat for each Large Roof Assembly. (F18.5, F18.6 and F18.7)



Wood Parts

12 x (633) Centre Rafter

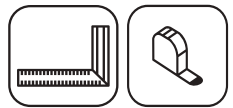
Hardware

24 x #8 x 2-1/4" Wood Screw

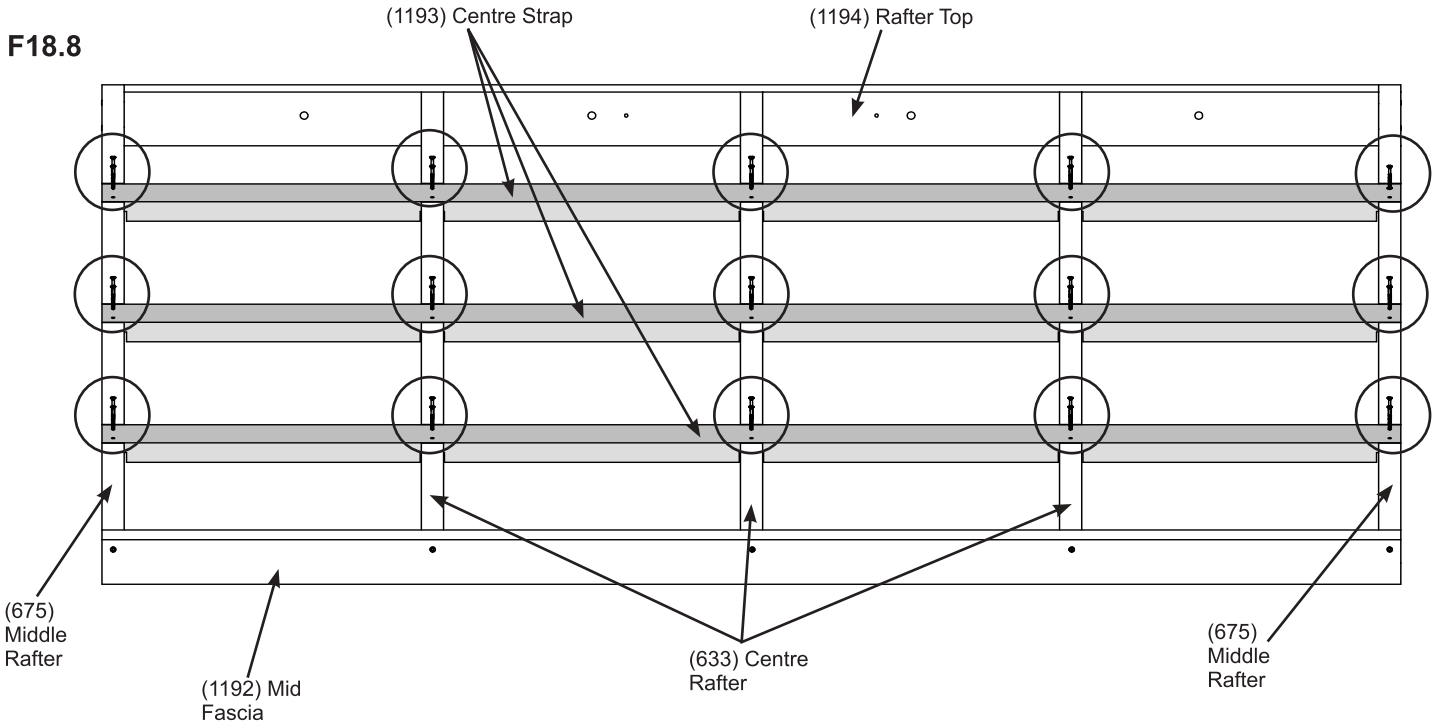
12 x #8 x 2-1/2" Wood Screw

Step 18: Large Roof Assembly

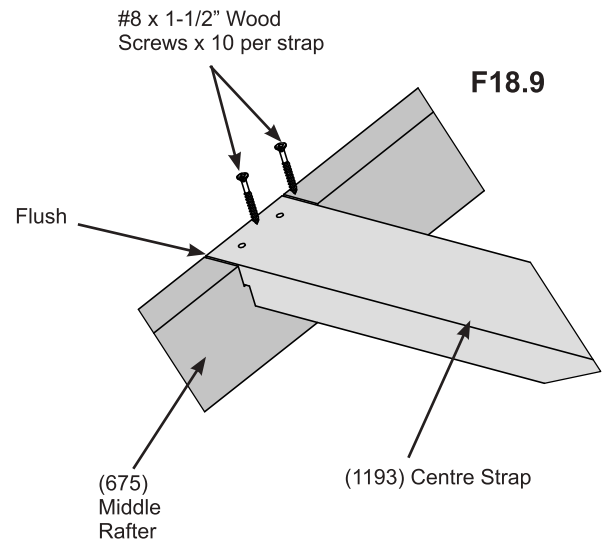
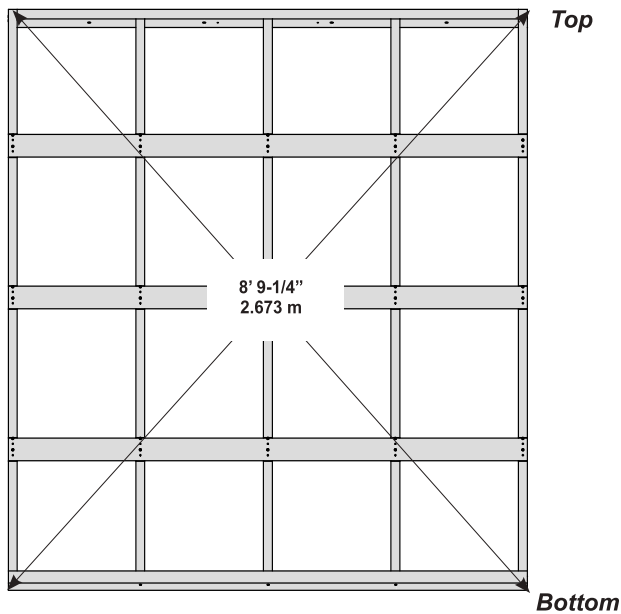
Part 3



E: Place three (1193) Centre Straps in the notches of each (675) Middle Rafter and each (633) Centre Rafter so the ends are flush to the outside edges of (675) Middle Rafters. Make sure assembly is square then attach with 10 #8 x 1-1/2" Wood Screws per strap. Repeat for each Large Roof Assembly. (F18.8, F18.9 and F18.10)



F18.10
Front View



Wood Parts

12 x (1193) Centre Strap

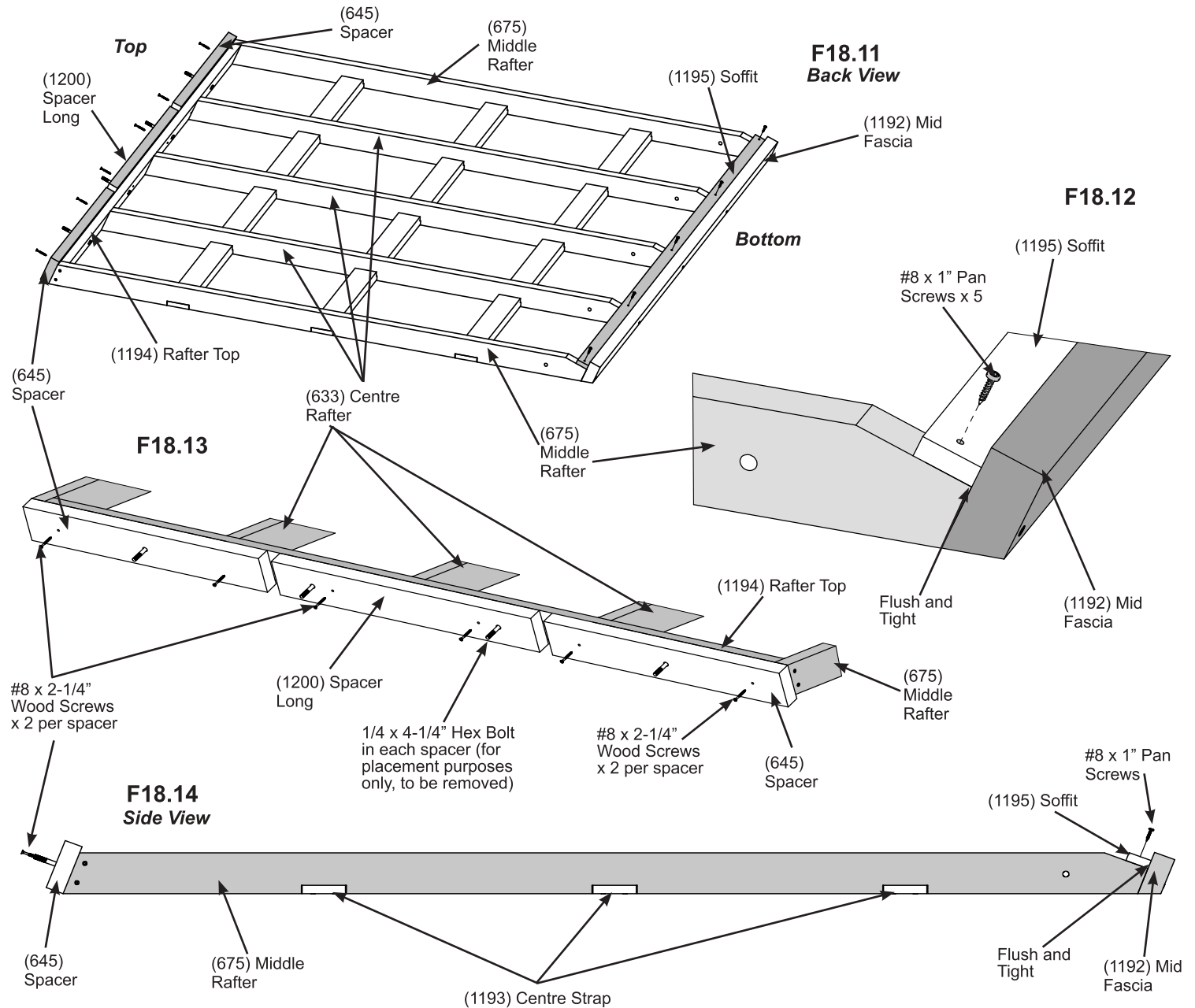
Hardware

120 x #8 x 1-1/2" Wood Screw

Step 18: Large Roof Assembly Part 4

F: Turn over each Large Roof Assembly then place one (1195) Soffit tight to the top of (1192) Mid Fascia. (1195) Soffit must be flush with the outside edge of (675) Middle Rafter. Attach (1195) Soffit to each (675) Middle Rafter and each (633) Centre Rafter with five #8 x 1" Pan Screws. Install (1195) Soffit on each Large Roof Assembly. (F18.11, F18.12 and F18.14)

G: On only two Large Roof Assemblies place one (645) Spacer at each end of (1194) Rafter Top and one (1200) Spacer Long evenly spaced between the (645) Spacers. To find the correct placement of each spacer insert one 1/4 x 4-1/4" Hex Bolt through (1194) Rafter Top into each (645) Spacer and (1200) Spacer Long. The bolts are for placement only, they are to be removed at the end of this step. Attach each spacer to (1194) Roof Top with two #8 x 2-1/4" Wood Screws per spacer. Remove bolts, to be used in Step 24. (F18.11, F18.13 and F18.14)



Wood Parts

- 4 x (1195) Soffit
- 4 x (645) Spacer
- 2 x (1200) Spacer Long

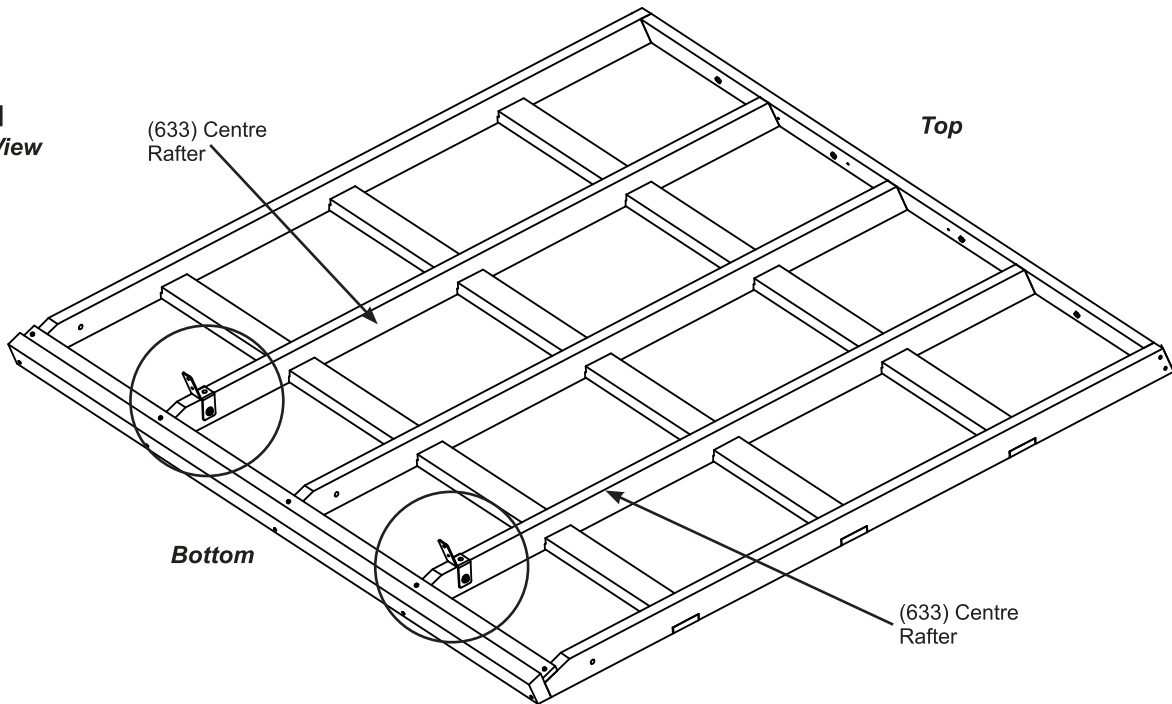
Hardware

- 20 x #8 x 1" Pan Screw
- 12 x #8 x 2-1/4" Wood Screw
- 4 x 1/4 x 4-1/4" Hex Bolt (for placement purposes only)

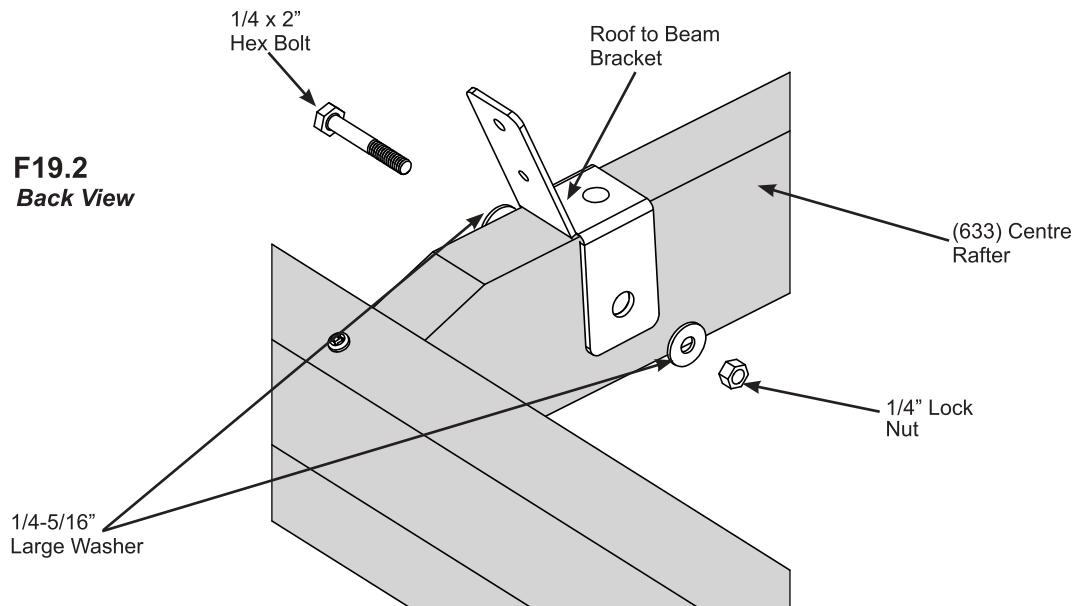
Step 19: Attach Roof to Beam Brackets - Large Roof Assemblies

A: On the back of each Large Roof Assembly, through the bolt hole at the bottom of the board, loosely attach one Roof to Beam Bracket to the two outside (633) Centre Rafters with one 1/4 x 2" Hex Bolt (with two 1/4-5/16" large washers and one 1/4" lock nut) per bracket. (F19.1 and F19.2)

F19.1
Back View



F19.2
Back View



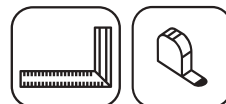
Components

8 x Roof to Beam Bracket

Hardware

8 x 1/4 x 2" Hex Bolt
(1/4-5/16" large washer x 2, 1/4" lock nut)

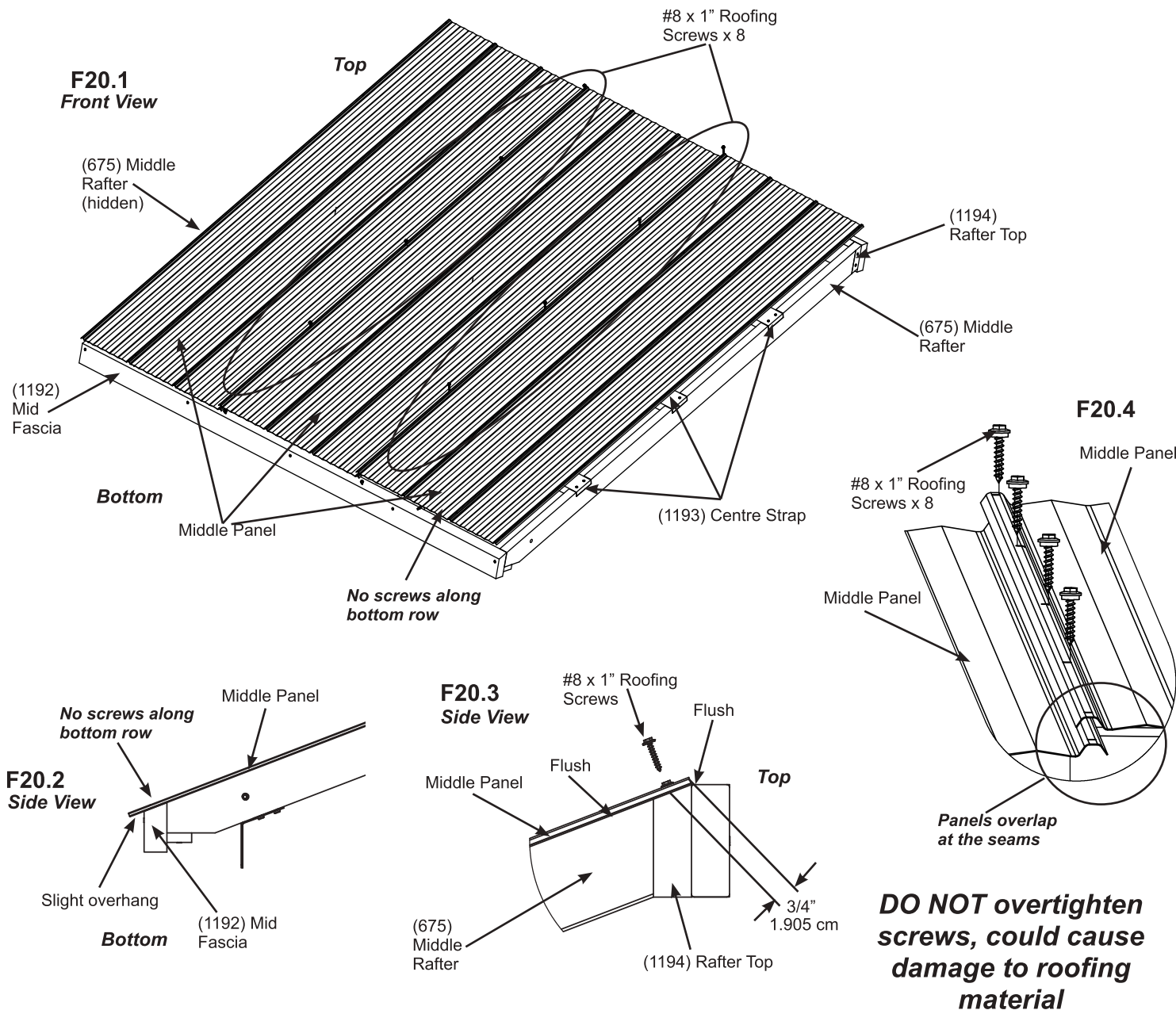
Step 20: Attach Roof Panels - Large Roof Assemblies Part 1



IMPORTANT! Before starting this step, be sure to refer back to pages 34 & 35 regarding correct installation and handling of the roofing.

A: Turn over Large Roof Assemblies, make sure they are still square. Place three Middle Panels flush to the top and sides of (1194) Rafter Top and (675) Middle Rafter. There will be an overhang at the bottom over (1192) Mid Fascia. The panels overlap and screw holes line up as shown in F20.4. Attach each panel, where they overlap, to each (1193) Centre Strap and to each (675) Middle Rafter with eight #8 x 1" Roofing Screws. Do not install screws along the bottom row. (F20.1, F20.2, F20.3 and F20.4)

Note: The holes at the top of each Middle Panel are 3/4" (1.905 cm) from the top. (F20.3)



Roof Parts

12 x Middle Panel

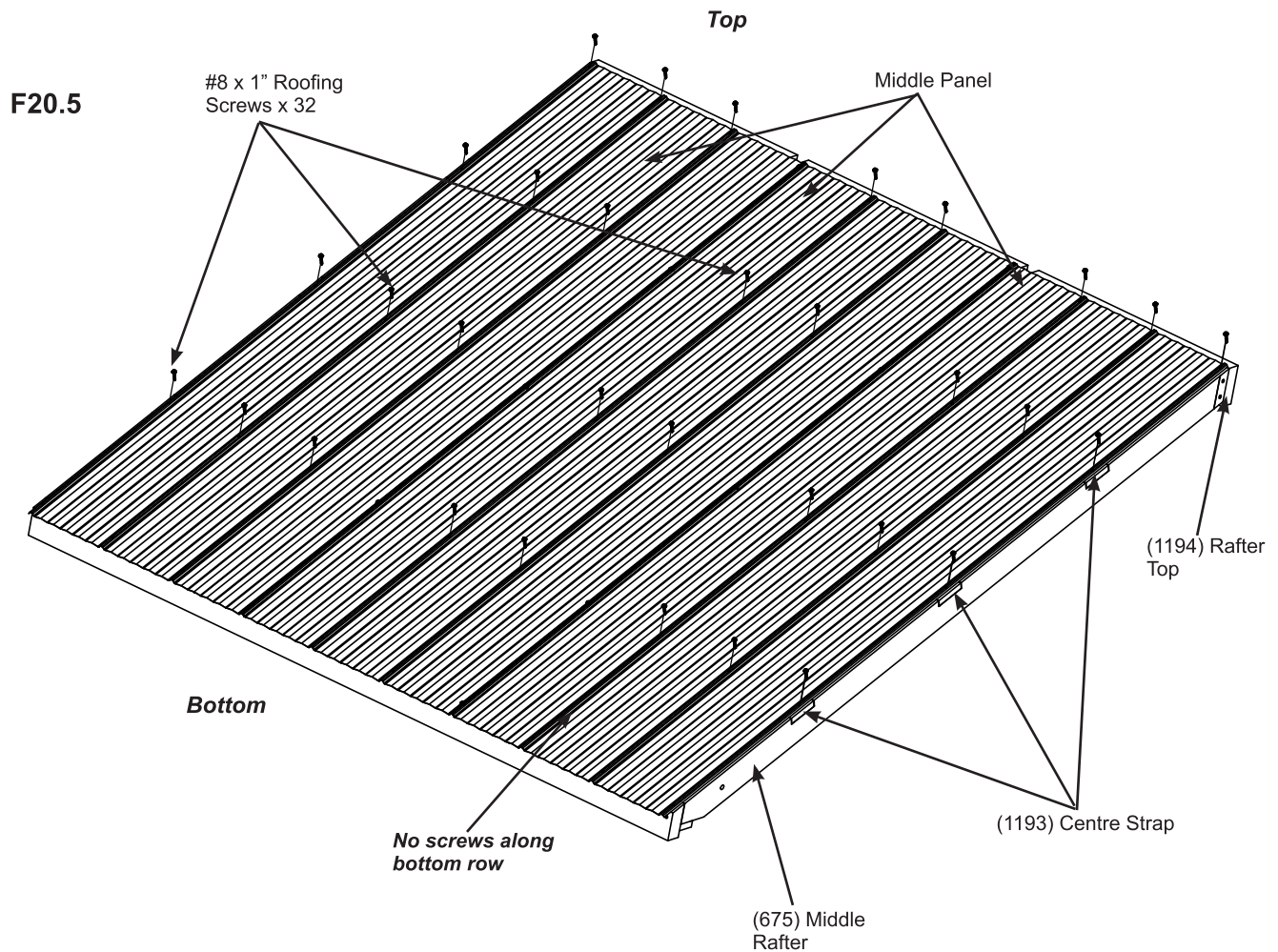
Hardware

32 x #8 x 1" Roofing Screw

Step 20: Attach Roof Panels - Large Roof Assemblies Part 2

B: Attach panels to (675) Middle Rafter, (1194) Rafter Top and each (1193) Centre Strap in the remaining holes with 32 #8 x 1" Roofing Screws as shown in F20.5. Do not install screws along the bottom row.

C: Repeat Steps A and B for each Large Roof Assembly.



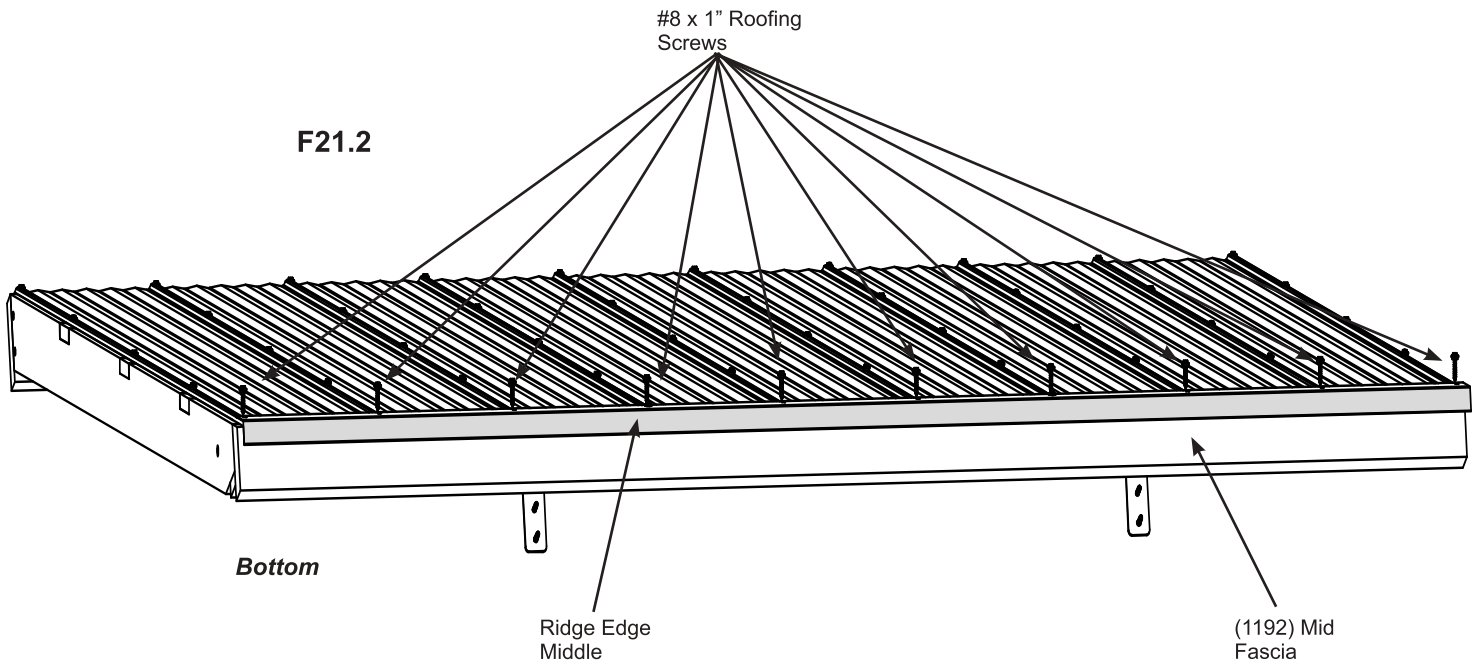
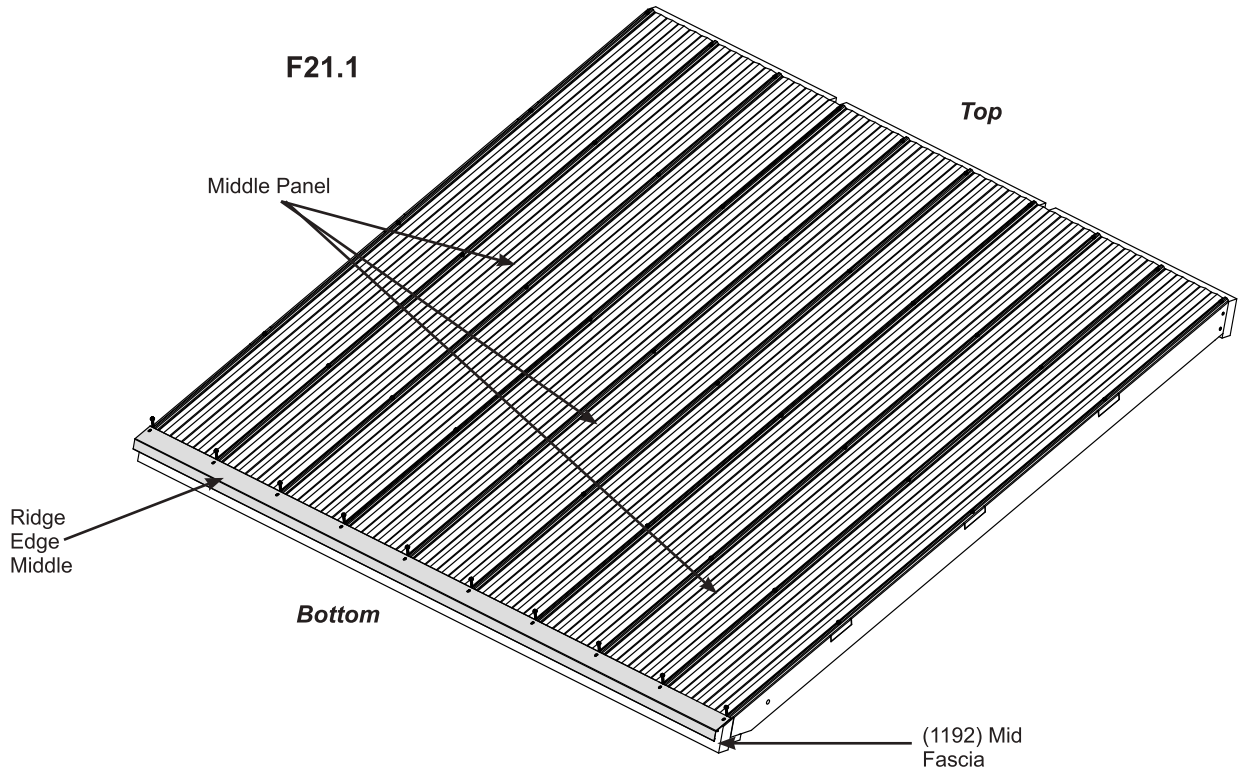
DO NOT overtighten
screws, could cause
damage to roofing
material

Hardware

128 x #8 x 1" Roofing Screw

Step 21: Attach Roof Edges - Large Roof Assemblies

A: On the bottom of each Large Roof Assembly place one Ridge Edge Middle so the holes line up with the holes in the Middle Panels then attach with 10 #8 x 1" Roofing Screws per Large Roof Assembly. (F21.1 and F21.2)



Components

4 x Ridge Edge Middle

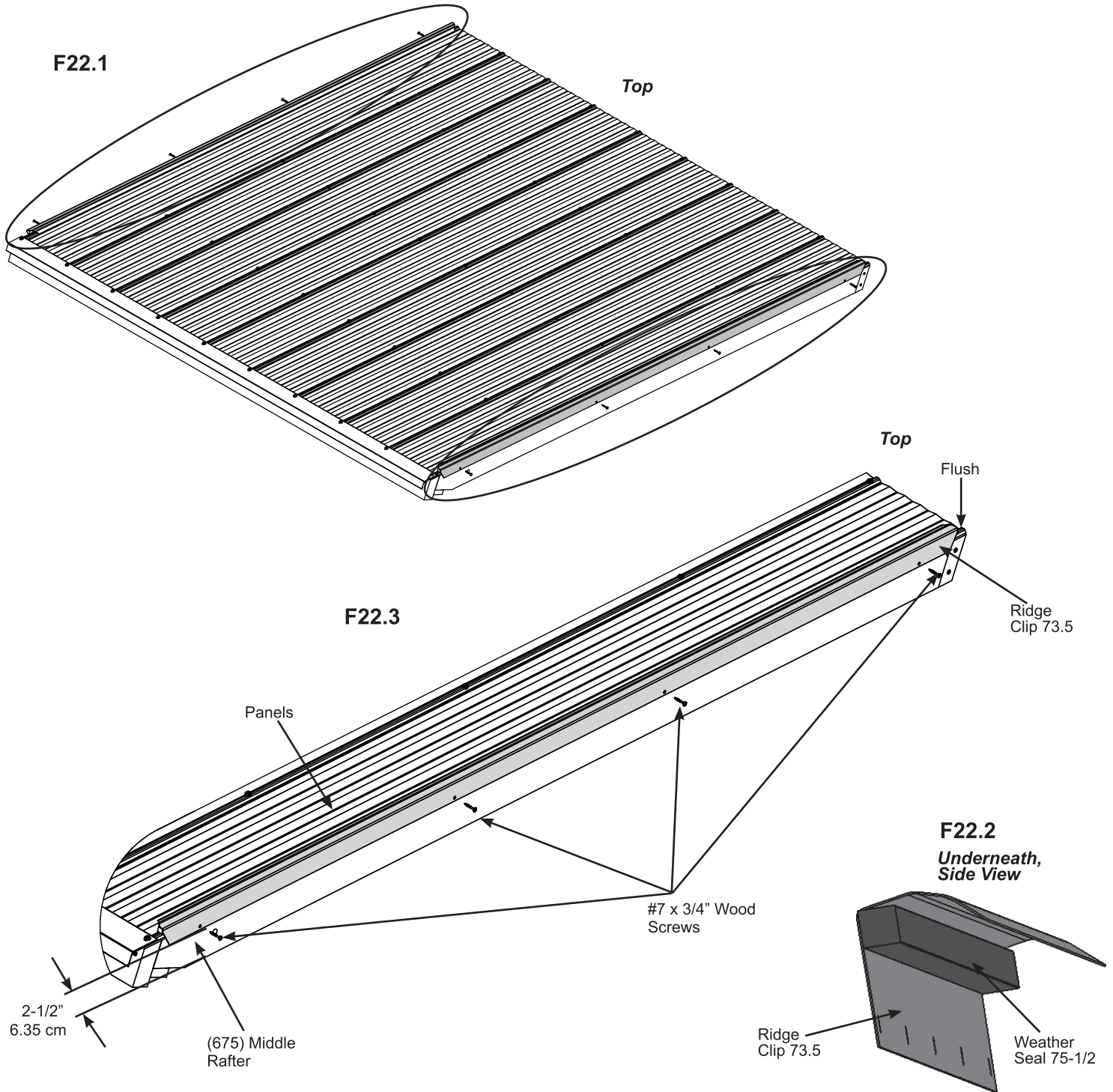
Hardware

40 x #8 x 1" Roofing Screw

Step 22: Attach Ridge Clips - Large Roof Assemblies



A: Place one Weather Seal 75-1/2 on the inside of eight Ridge Clip 73.5 then place one Ridge Clip 73.5 on each (675) Middle Rafter on each Large Roof Assembly so they cover the panels and are flush to the tops. The bottom edge of each Ridge Clip 73.5 should be 2-1/2" (6.35 cm) up from the bottom edge of (675) Middle Rafter. Attach with four #7 x 3/4" Wood Screws per Ridge Clip 73.5. (F22.1, F22.2 and F22.3)



Components

8 x Ridge Clip 73.5
8 x Weather Seal 75-1/2

Hardware

32 x #7 x 3/4" Wood Screw

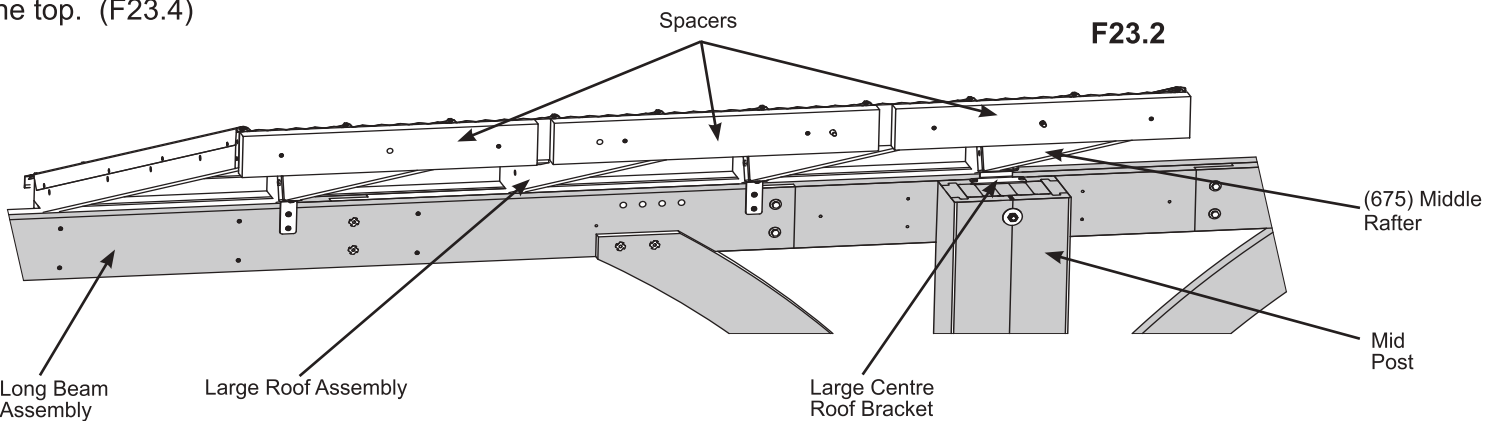
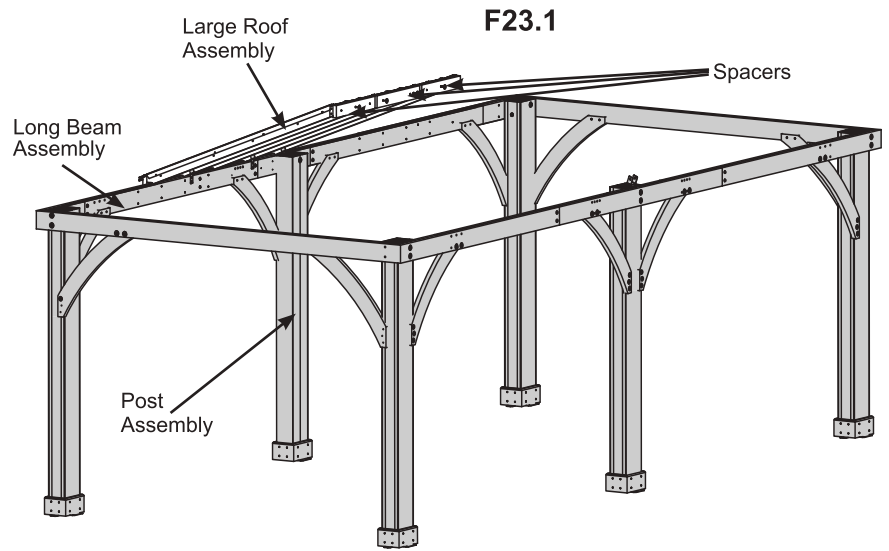
Step 23: Attach Large Roof Assemblies to Frame Part 1



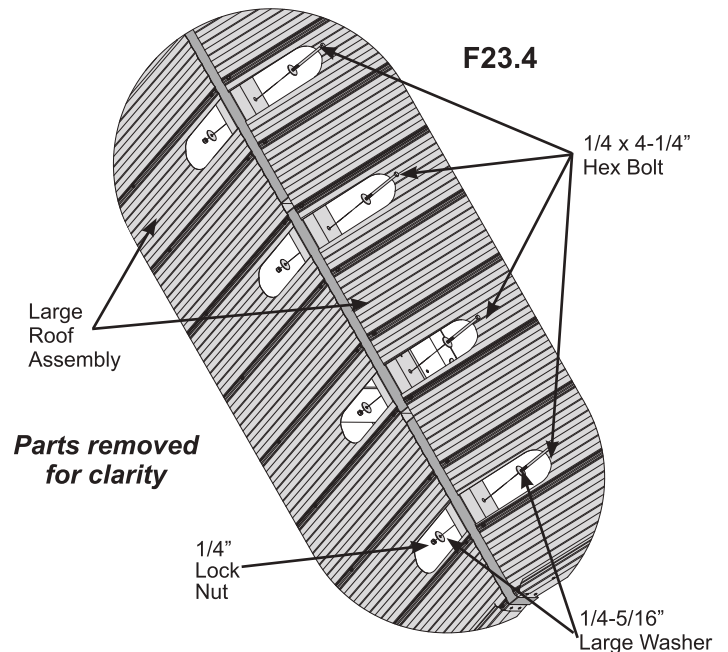
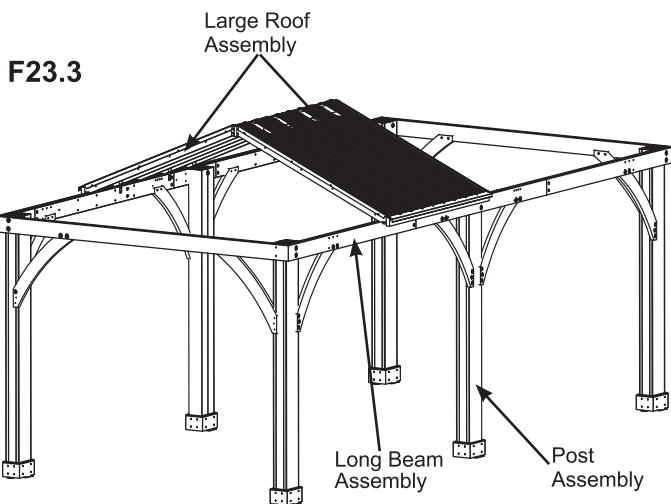
A: With all four assemblers lift one Large Roof Assembly with Spacers up so it sits on the Long Beam Assembly and one (675) Middle Rafter sits in Large Centre Roof Bracket on Mid Post. (F23.1 and F23.2)

B: With an assembler holding the first Large Roof Assembly in place lift a second Large Roof Assembly (without Spacers) on the opposite Long Beam Assembly. One (675) Mid Rafter sits in Large Centre Roof Bracket on middle Post Assembly. (F23.2 and F23.3)

C: Attach Large Roof Assemblies together with four 1/4 x 4-1/4" Hex Bolts (with two 1/4-5/16" large washers and one 1/4" lock nut) at the top. (F23.4)



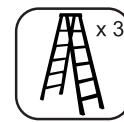
One assembler to support roof panel(s) at all times until secure



Hardware

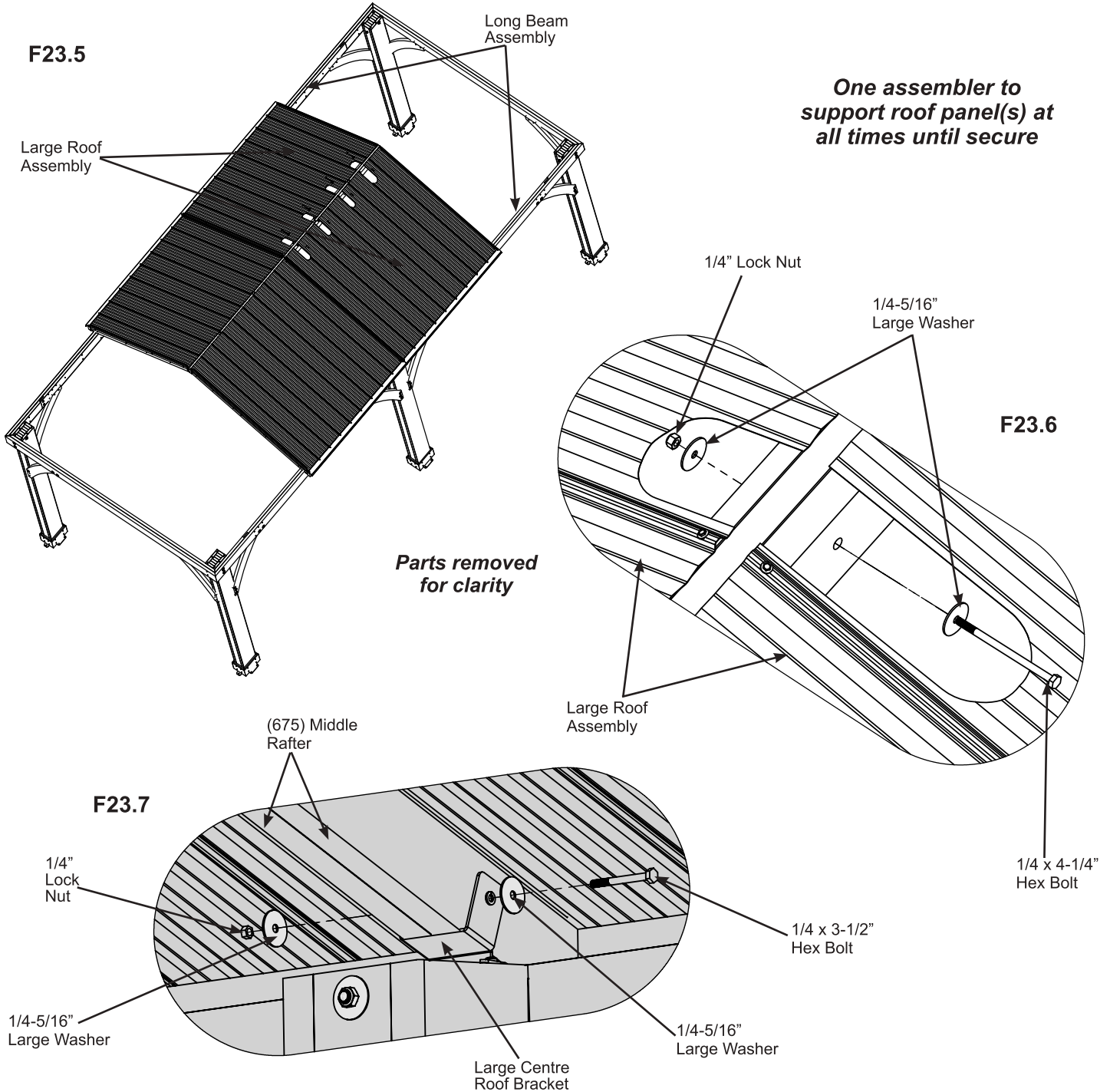
4 x 1/4 x 4-1/4" Hex Bolt
(1/4-5/16" large washer x 2, 1/4" lock nut)

Step 23: Attach Large Roof Assemblies to Frame Part 2



D: Repeat Steps A - C for the remaining two Large Roof Assemblies. (F23.5 and F23.6)

E: Attach Large Centre Roof Brackets and (675) Middle Roof Rafters together with one 1/4 x 3-1/2" Hex Bolt (with two 1/4-5/16" large washers and one 1/4" lock nut) per bracket. (F23.7)



One assembler to support roof panel(s) at all times until secure

Hardware

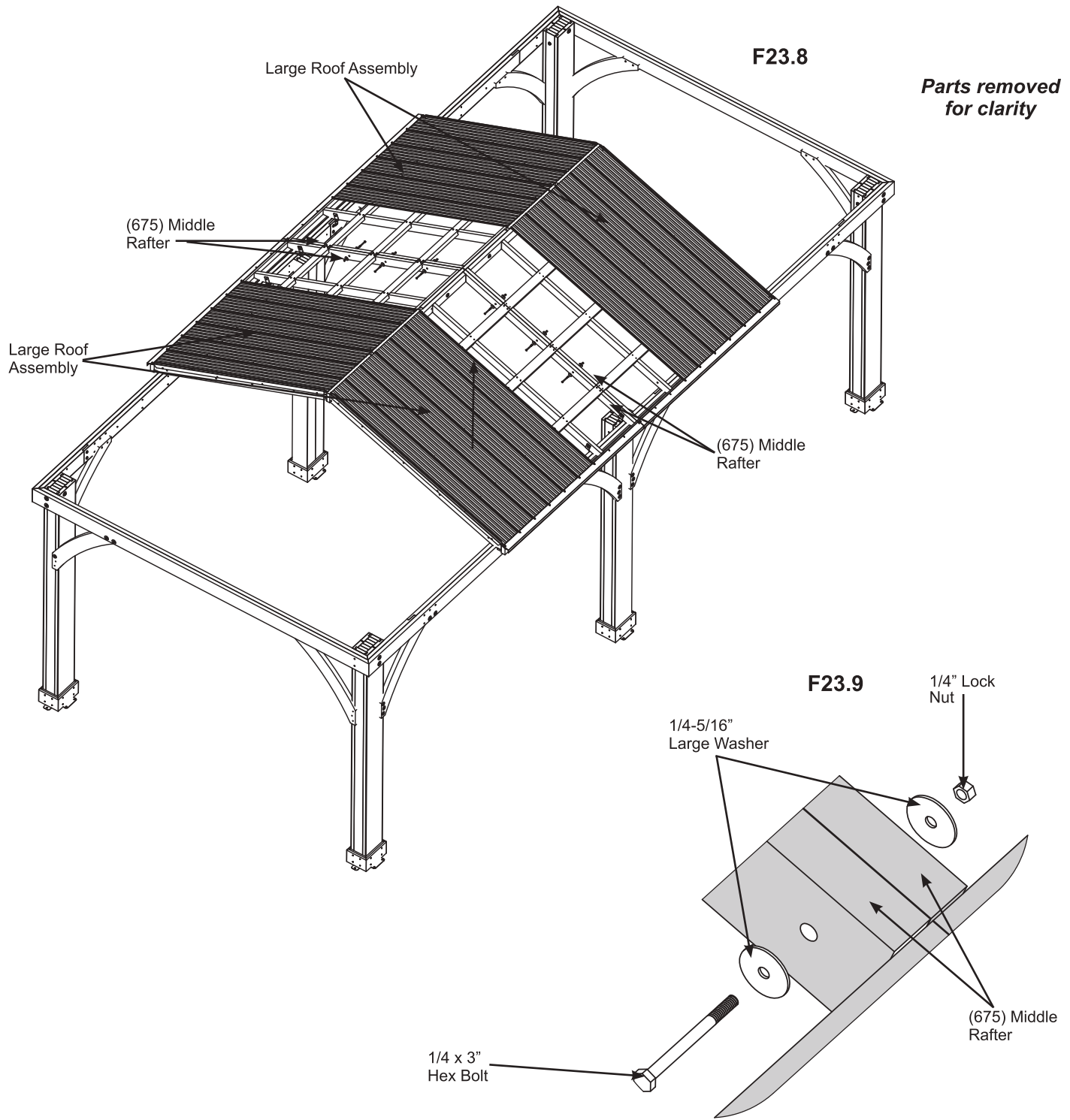
4 x 1/4 x 4-1/4" Hex Bolt
(1/4-5/16" large washer x 2, 1/4" lock nut)

2 x 1/4 x 3-1/2" Hex Bolt
(1/4-5/16" large washer x 2, 1/4" lock nut)

Step 23: Attach Large Roof Assemblies to Frame Part 3



F: Attach (675) Middle Rafters from each connecting Large Roof Assembly with three 1/4 x 3" Hex Bolts (with two 1/4-5/16" large washers and one 1/4" lock nut) per connection. (F23.8 and F23.9)



Hardware

6 x 1/4 x 3" Hex Bolt
(1/4-5/16" large washer x 2, 1/4" lock nut)

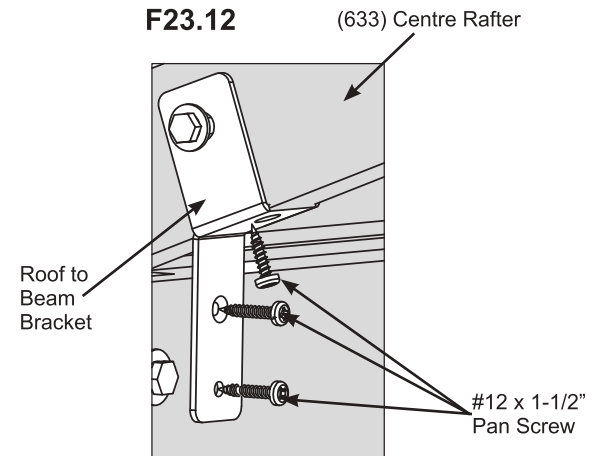
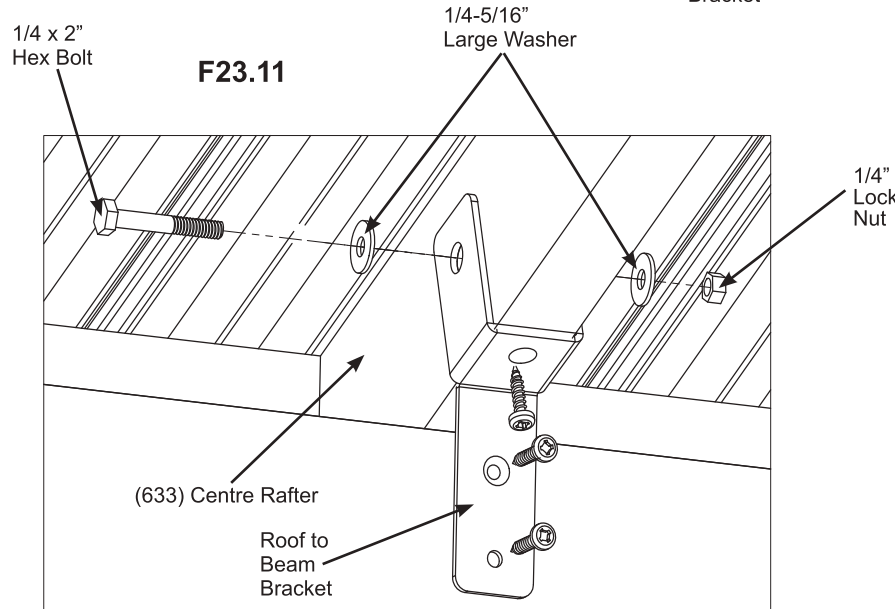
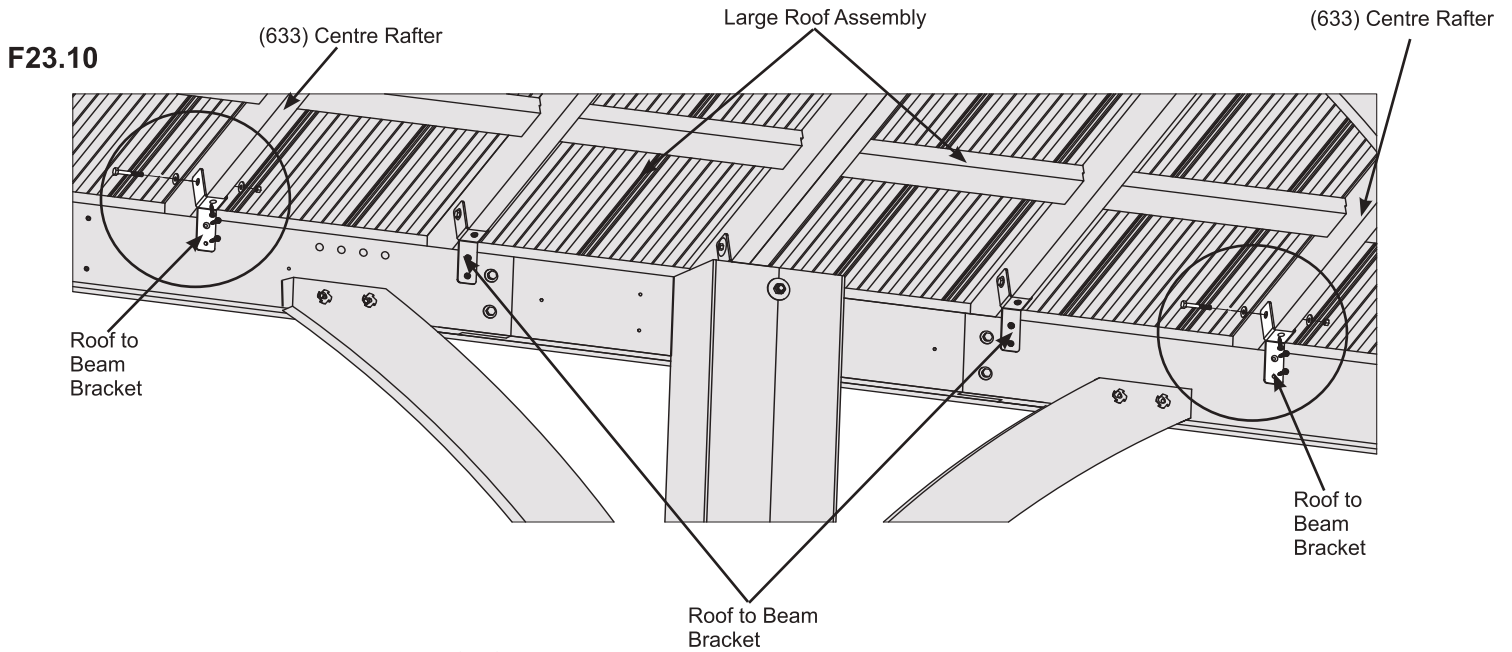
Step 23: Attach Large Roof Assemblies to Frame Part 4



G: Attach one Roof to Beam Bracket to the remaining (633) Centre Rafters on each Large Roof Assembly with one 1/4 x 2" Hex Bolt (with two 1/4-5/16" large washers and one 1/4" lock nut) per bracket. (F23.10 and F23.11)

H: From the outside of the assembly have one person push one Large Roof Assembly in so (1195) Soffit sits against the Long Beam Assembly and two people pushing up at the peak. One person fastens each Roof to Beam Bracket with three #12 x 1-1/2" Pan Screws. Install top screw into (633) Centre Rafter first then other two into the beam. Repeat this process for each Large Roof Assembly. (F23.10 and F23.12)

I: Tighten all Bracket bolts in the Large Roof Assemblies.



Components

4 x Roof to Beam Bracket

Hardware

36 x #12 x 1-1/2" Pan Screw

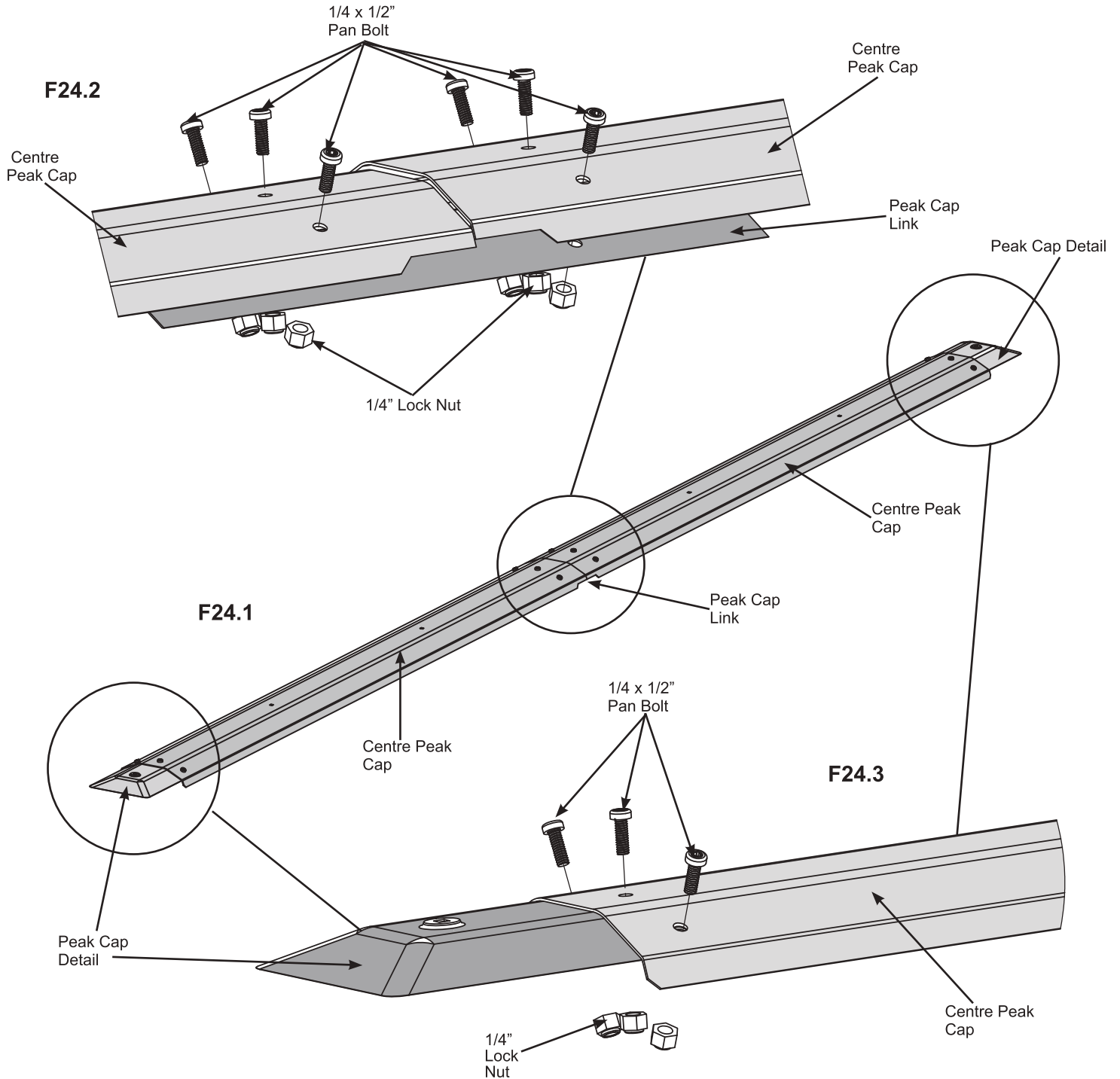
4 x 1/4 x 2" Hex Bolt
(1/4-5/16" large washer x 2, 1/4" lock nut)

Step 24: Place Peak Cap Assembly on Roof Panels

Part 1

A: Place two Centre Peak Caps so they are tight together then place one Peak Cap Link under Centre Peak Caps and attach with six 1/4 x 1/2" Pan Bolts (with 1/4" lock nut). (F24.1 and F24.2)

B: Slide one Peak Cap Detail in the end of each Centre Peak Cap and attach with three 1/4 x 1/2" Pan Bolts (with 1/4" lock nut) per side. (F24.1 and F24.3)



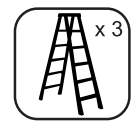
Components

- 2 x Peak Cap Detail
- 2 x Centre Peak Cap
- 1 x Peak Cap Link

Hardware

- 12 x 1/4 x 1/2" Pan Bolt (1/4" lock nut)

Step 24: Place Peak Cap Assembly on Roof Panels Part 2

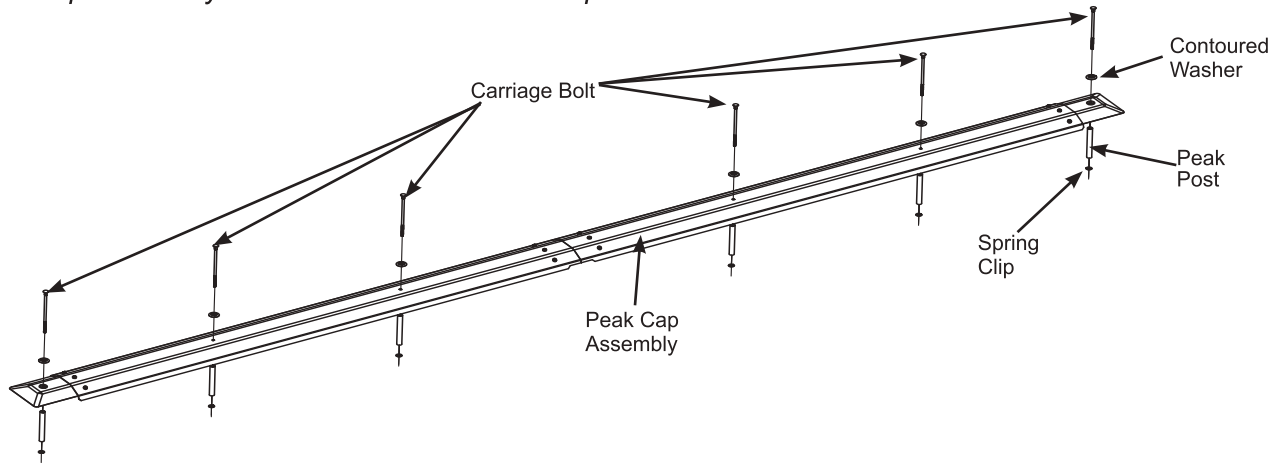


C: Insert six Carriage Bolts with Contoured Washers through the top of Peak Cap Assembly. Place one Peak Post over each Carriage Bolt and secure with Spring Clips. The Spring Clip holds the assembly together. (F24.4, F24.5 and F24.6)

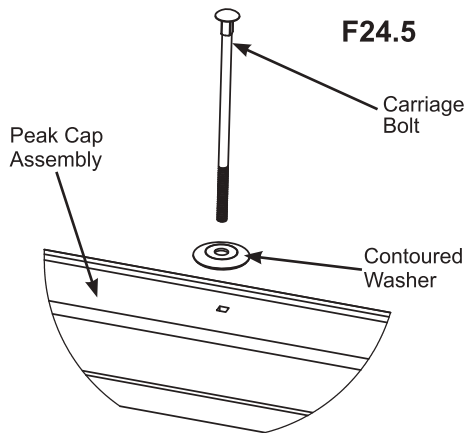
D: With one person on each end of the roof place Peak Cap Assembly on top of Large Roof Assemblies so Carriage bolts with Peak Post fit through gaps between the roof assemblies. (F24.7)

The Peak Cap Assembly will not be secured until Step 31.

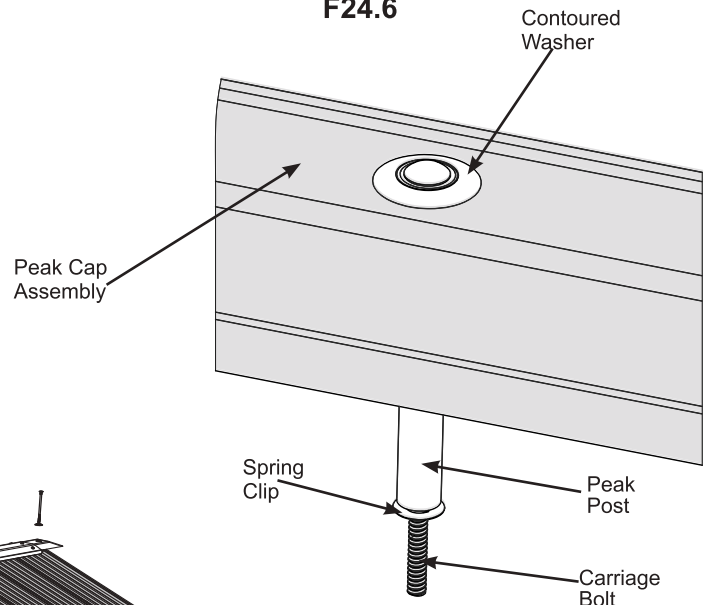
F24.4



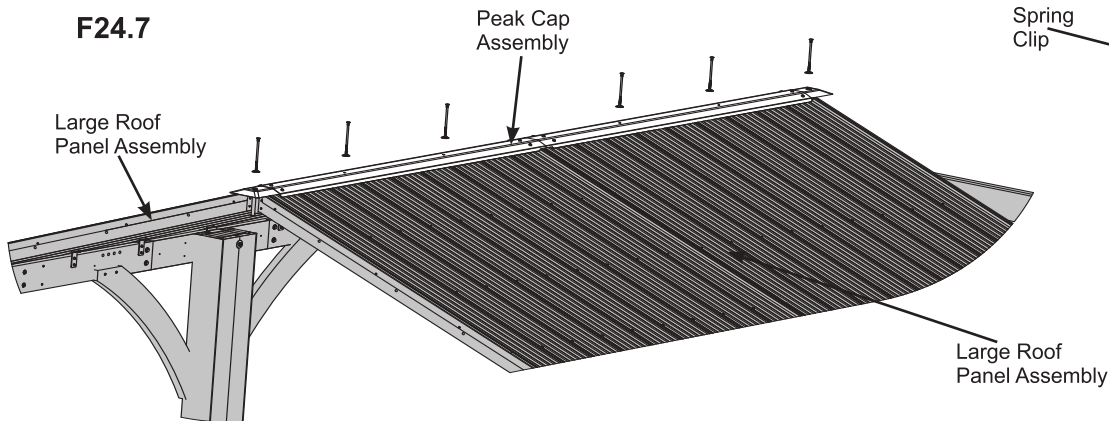
F24.5



F24.6



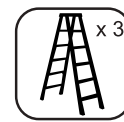
F24.7



Hardware

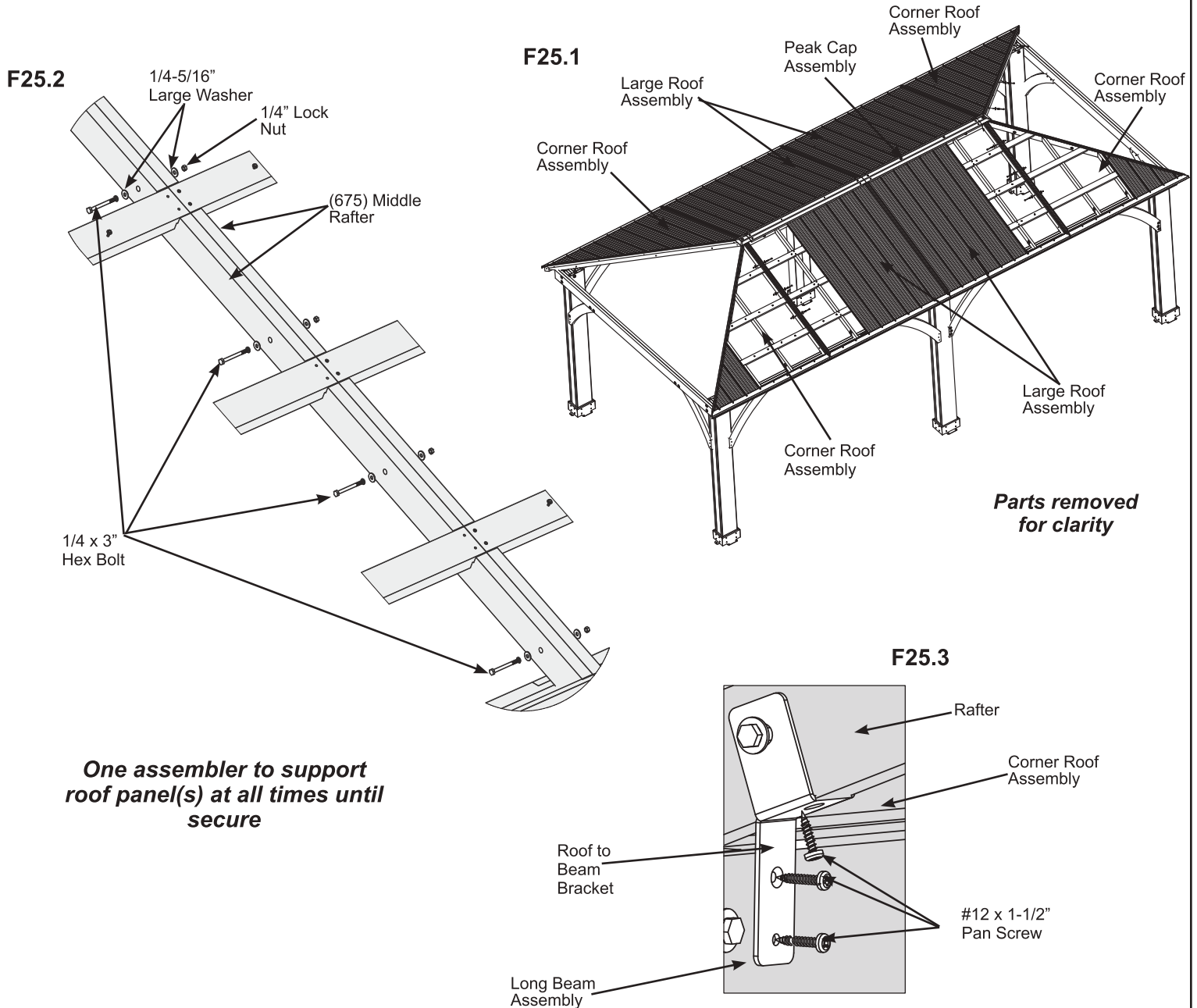
- 6 x Carriage Bolt
- 6 x Contoured Washer
- 6 x Peak Post
- 6 x Spring Clip

Step 25: Attach Corner Roof Assemblies to Frame Part 1



A: Place Left Corner Roof Assemblies on the left side of each Large Roof Assembly and the Right Corner Roof Assemblies on the right sides. You will need to lift Peak Cap Assembly to get the top under it. Make sure fascia on each panel are flush then attach (675) Middle Rafters from each connecting assembly with four 1/4 x 3" Hex Bolts (with two 1/4-5/16" large washers and one 1/4" lock nut) per Corner Roof Assembly. (F25.1 and F25.2)

B: Push panels up from the outside and inside top to make sure each Soffit End on the Corner Roof Assemblies are against the Long Beam Assembly then fasten each Roof to Beam Bracket with three #12 x 1-1/2" Pan Screws per bracket. Install top screw into the rafter first then install the other two into the beam. Slight gaps are normal. Complete one Corner Roof Assembly before starting the next. (F25.1 and F25.3)

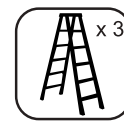


Hardware

16 x 1/4 x 3" Hex Bolt
(1/4-5/16" large washer x 2, 1/4" lock nut)

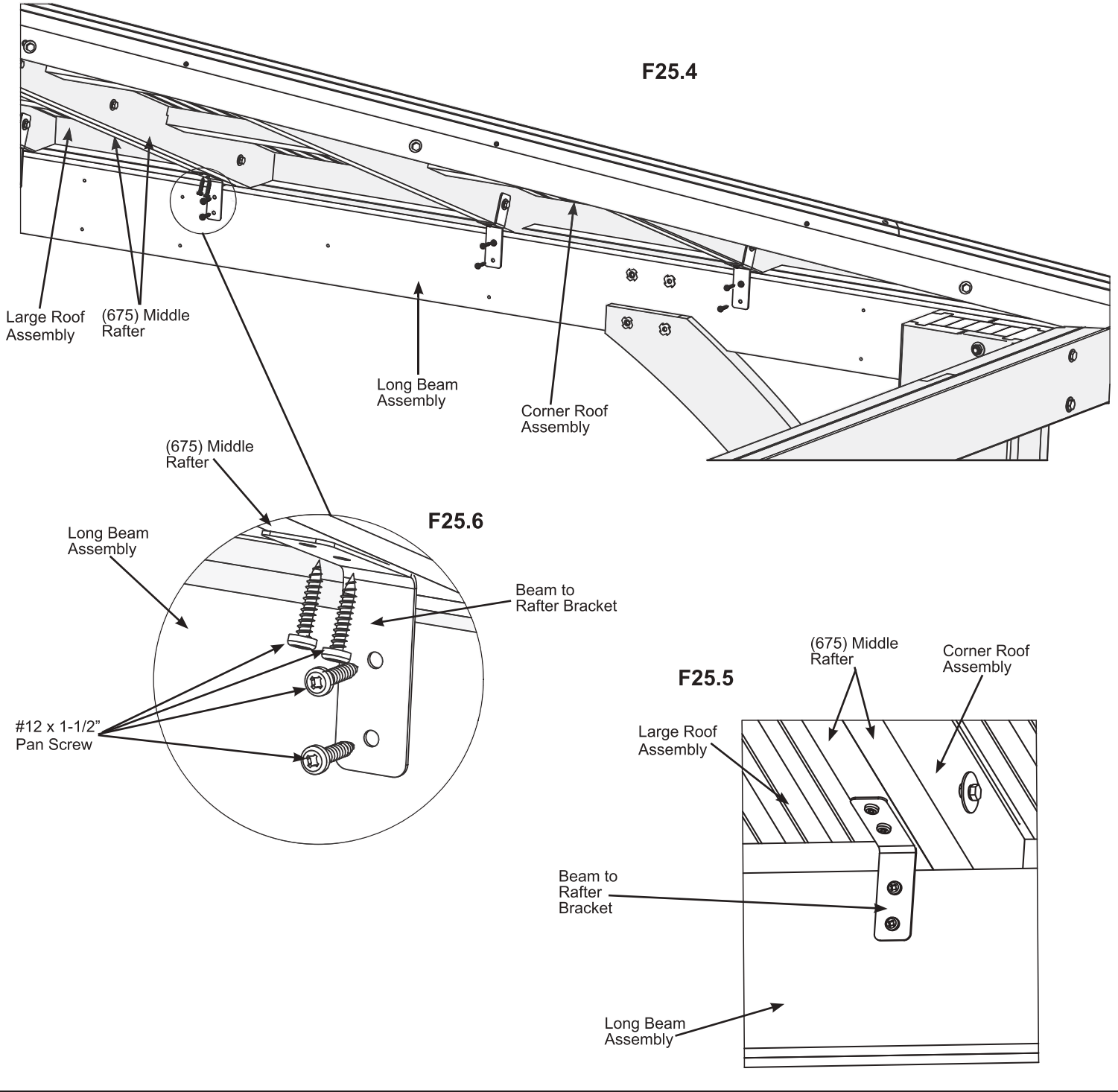
24 x #12 x 1-1/2" Pan Screw

Step 25: Attach Corner Roof Assemblies to Frame Part 2



C: On each connecting (675) Middle Rafter on the Large Roof Assembly attach one Beam to Rafter Bracket per rafter using four #12 x 1-1/2" Pan Screws per bracket. (F25.4, F25.5 and F25.6)

D: Tighten all Bracket bolts in the Corner Roof Assemblies.

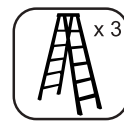


Hardware

16 x #12 x 1-1/2" Pan Screw

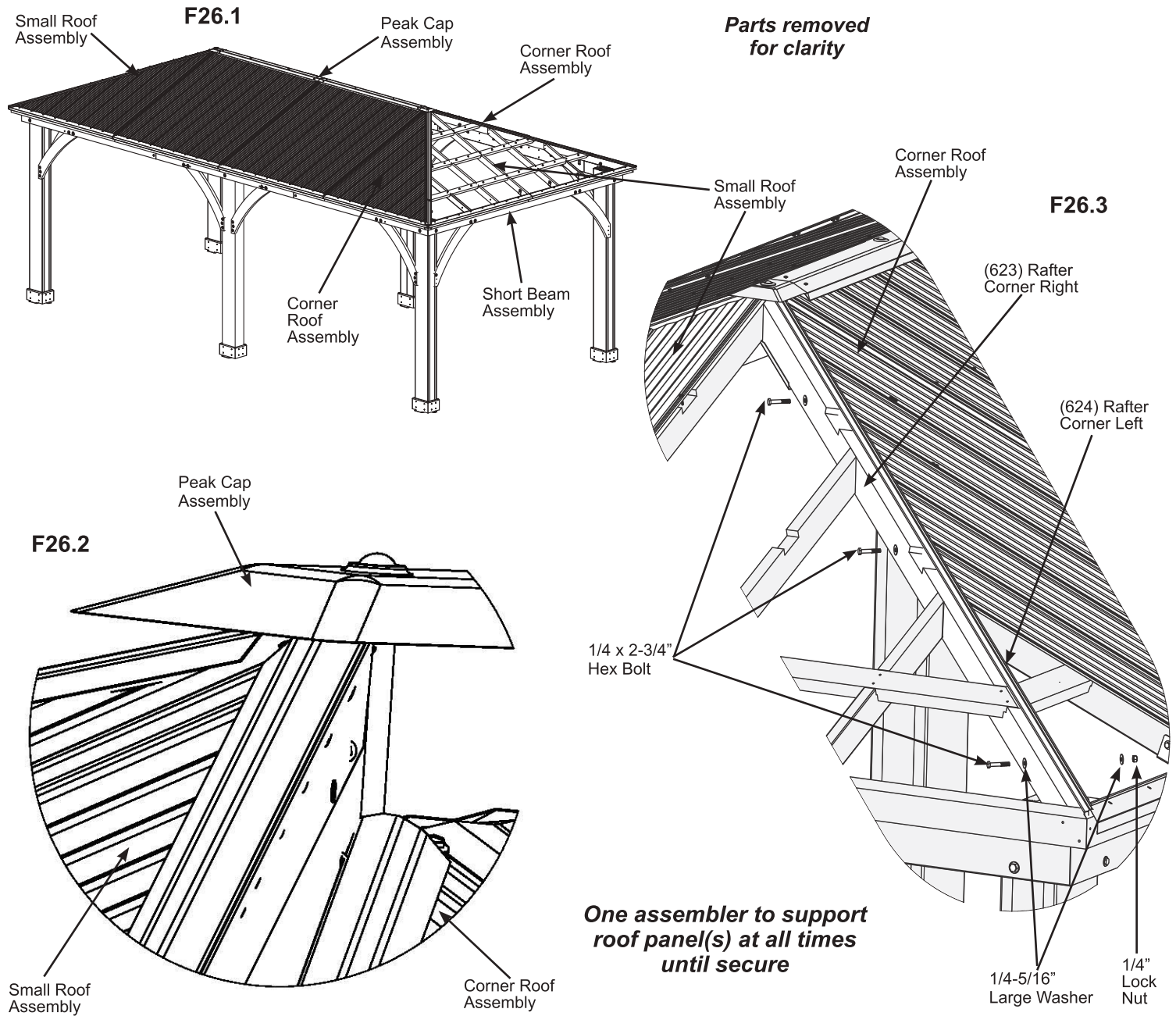
4 x Beam to Rafter Bracket

Step 26: Attach Small Roof Assemblies to Frame



A: With all four assemblers lift one Small Roof Assembly up and over the Short Beam Assembly. You will need to lift the Peak Cap Assembly to get the top under it. Loosely attach each (623) Rafter Corner Right to each (624) Rafter Corner Left with three 1/4 x 2-3/4" Hex Bolts (with two 1/4-5/16" large washers and one 1/4" lock nut) per side. To align bolt holes helper in the centre may have to push up the centre of the panels and others make sure corners are aligned. Make sure all bolts are tight. Joining rafters must be flush at the top. (F26.1, F26.2 and F26.3)

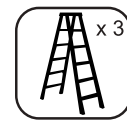
B: Repeat Step A for second Small Roof Assembly.



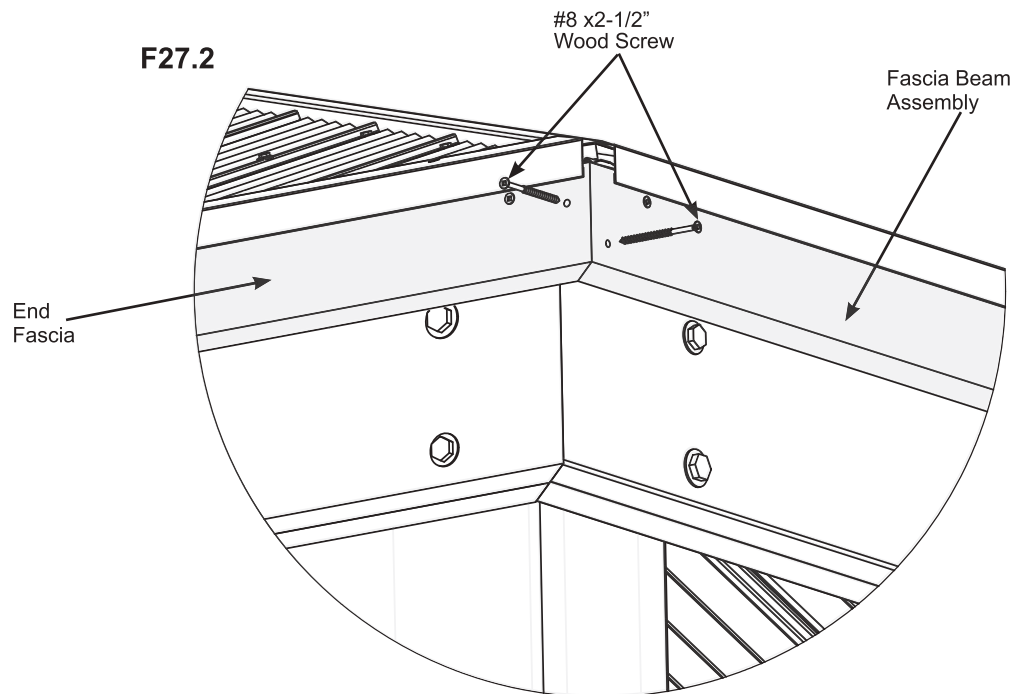
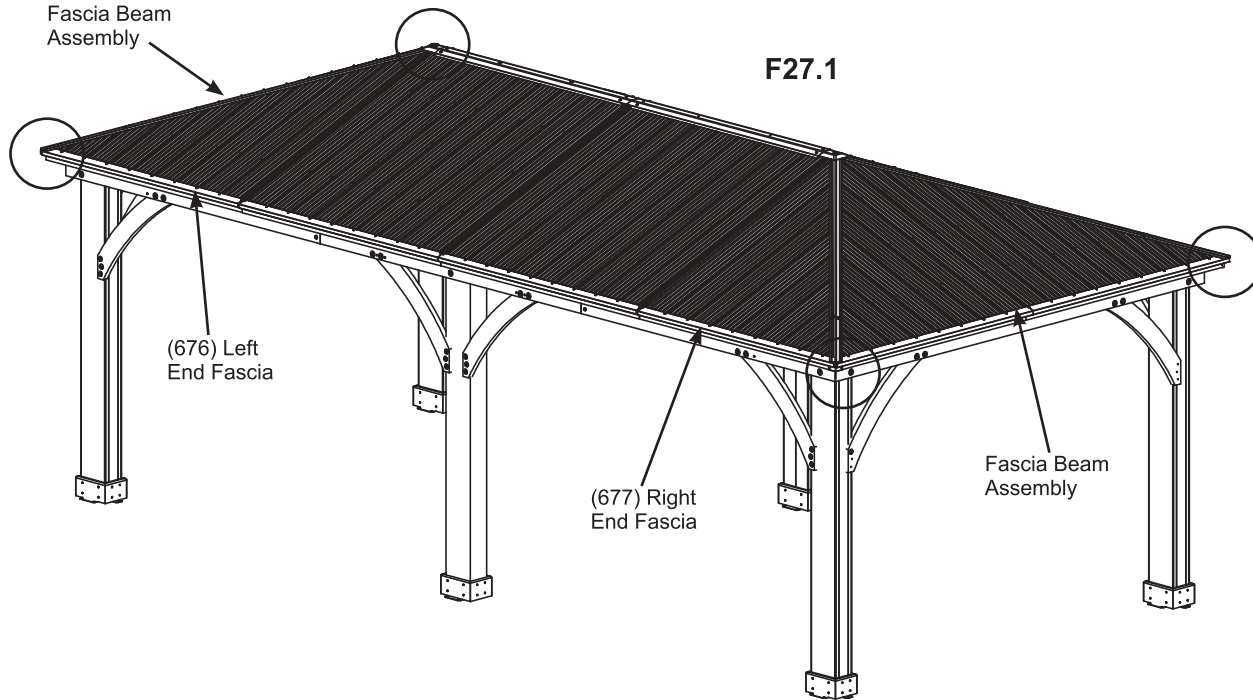
Hardware

12 x 1/4 x 2-3/4" Hex Bolt
(1/4-5/16" large washer x 2, 1/4" lock nut)

Step 27: Secure Roof Corners



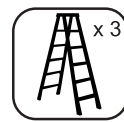
A: From outside the assembly attach Small Roof Assemblies and Corner Roof Assemblies together at the Fascia Beam Assembly and Left and Right End Fascias with two #8 x 2-1/2" Wood Screws per corner. A helper may need to lift the centre of the roof to bring the corners tight together. (F27.1 and F27.2)



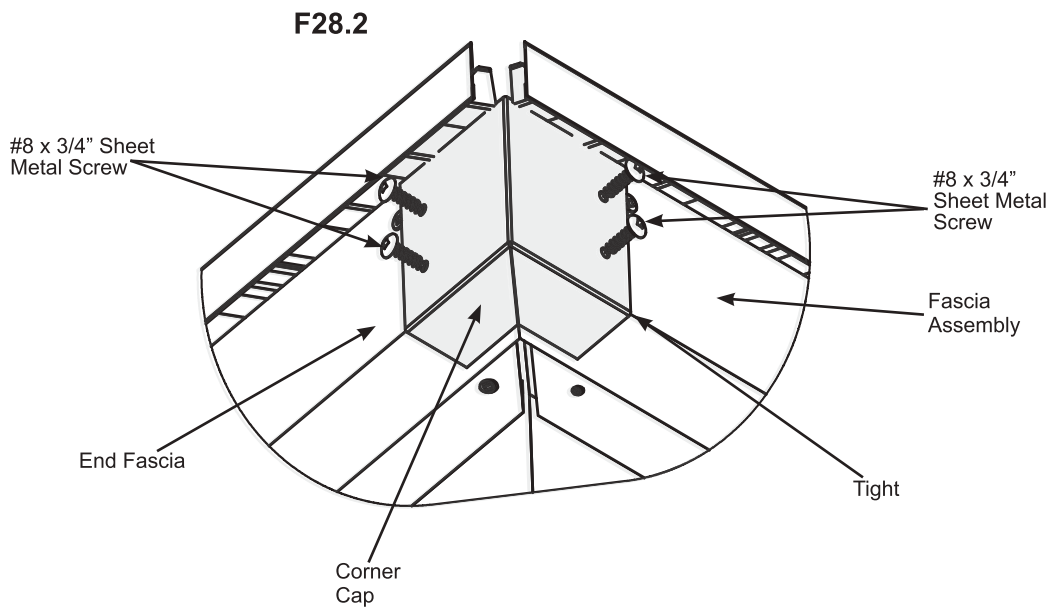
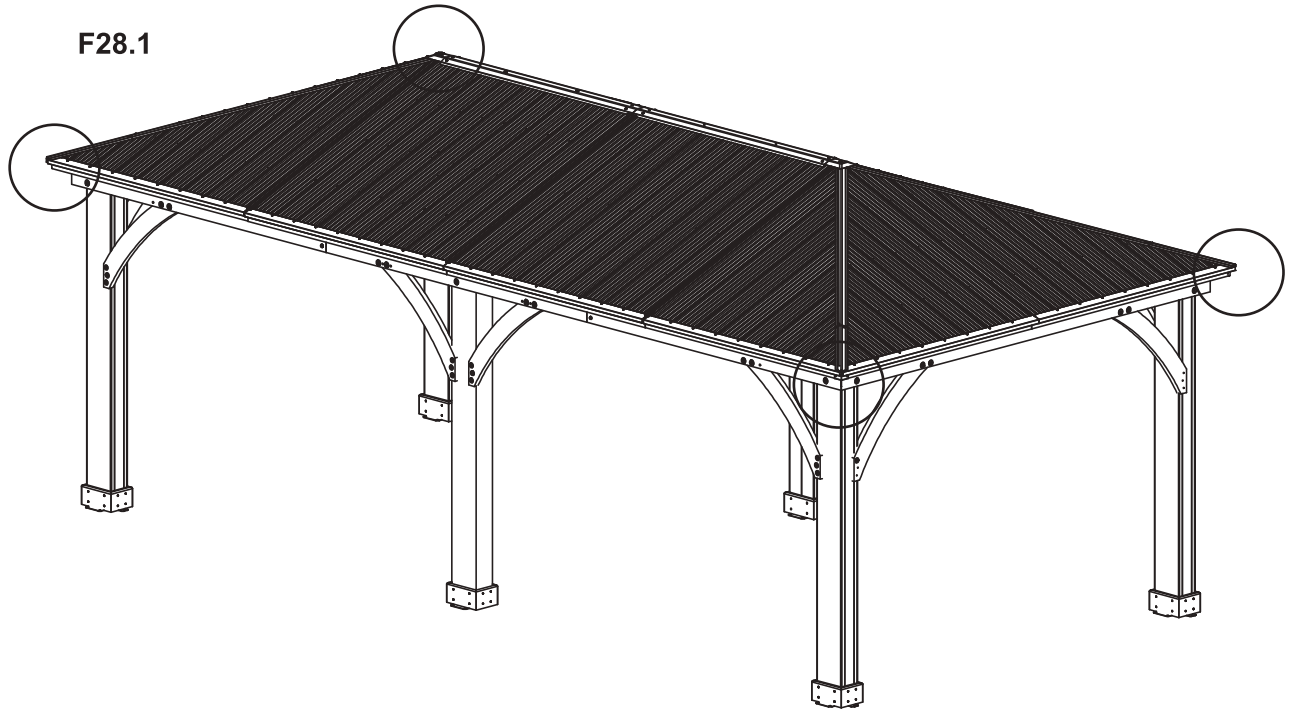
Hardware

8 x #8 x 2-1/2" Wood Screw

Step 28: Attach Corner Caps



A: At each corner place one Corner Cap tight to Fascia Assemblies and End Fascias, push up so the bottom is tight to the bottom of the fascia then attach with four #8 x 3/4" Sheet Metal Screws per Corner Cap. (F28.1 and F28.2)



Components:

4 x Corner Cap

Hardware

16 x #8 x 3/4" Sheet Metal Screw

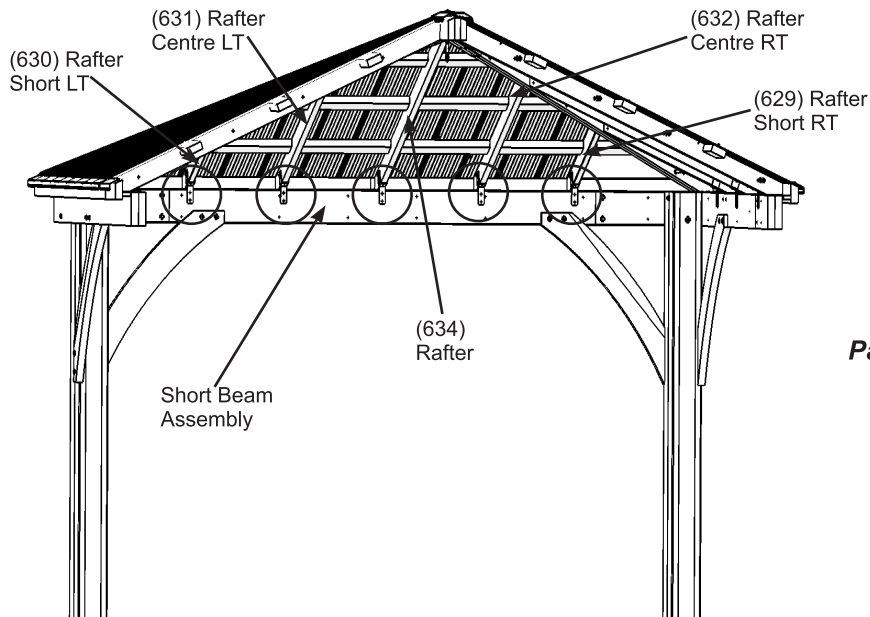
Step 29: Attach Roof to Beam Brackets - Small Roof Assembly

A: On each Small Roof Assembly, through the bolt hole at the bottom of the board, loosely attach one Roof to Beam Bracket to each rafter with one 1/4 x 2" Hex Bolt (with two 1/4-5/16" large washers and one 1/4" lock nut) per bracket. (F29.1 and F29.2)

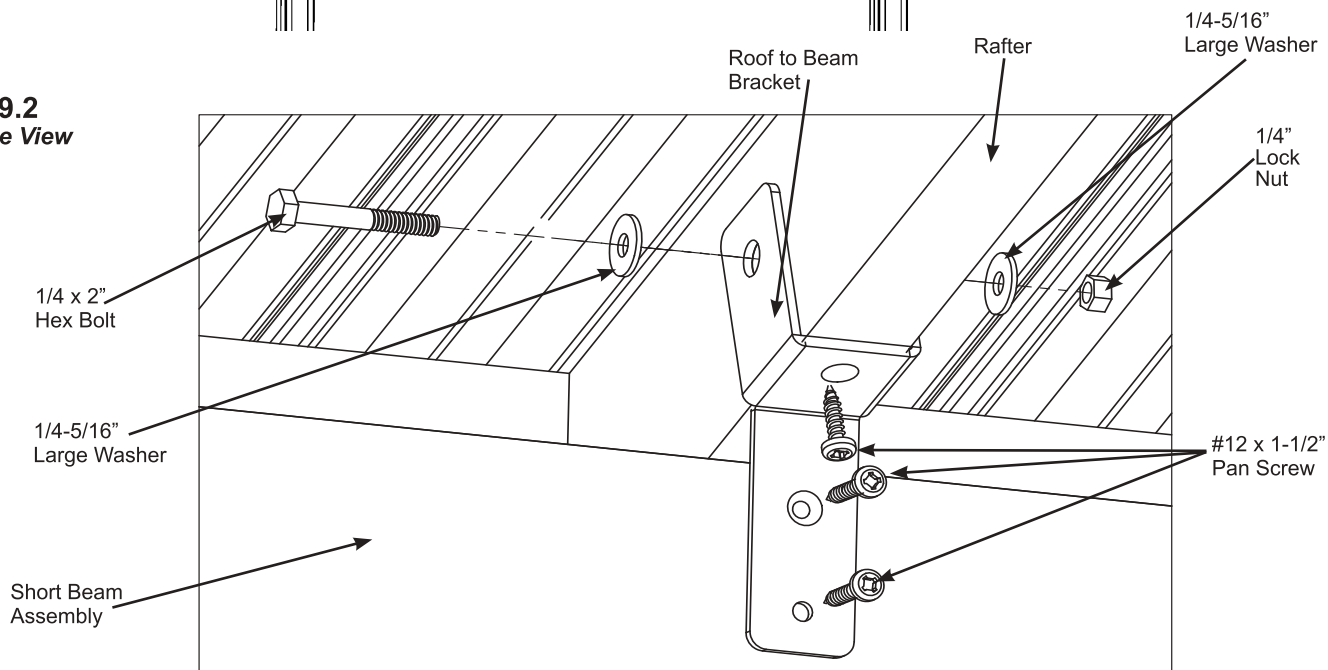
B: Push panels up from the outside and inside top to make sure each (648) Soffit is against the Short Beam Assemblies then fasten each Roof to Beam Bracket with three #12 x 1-1/2" Pan Screws per bracket. Install top screw into the rafter first then install the other two into the beam. Slight gaps are normal. (F29.1 and F29.2)

C: Tighten all Roof to Beam Bracket bolts in both Small Roof Assemblies.

F29.1
Inside View



F29.2
Inside View



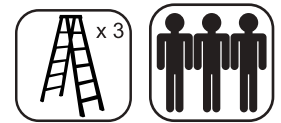
Components

10 x Roof to Beam Bracket

Hardware

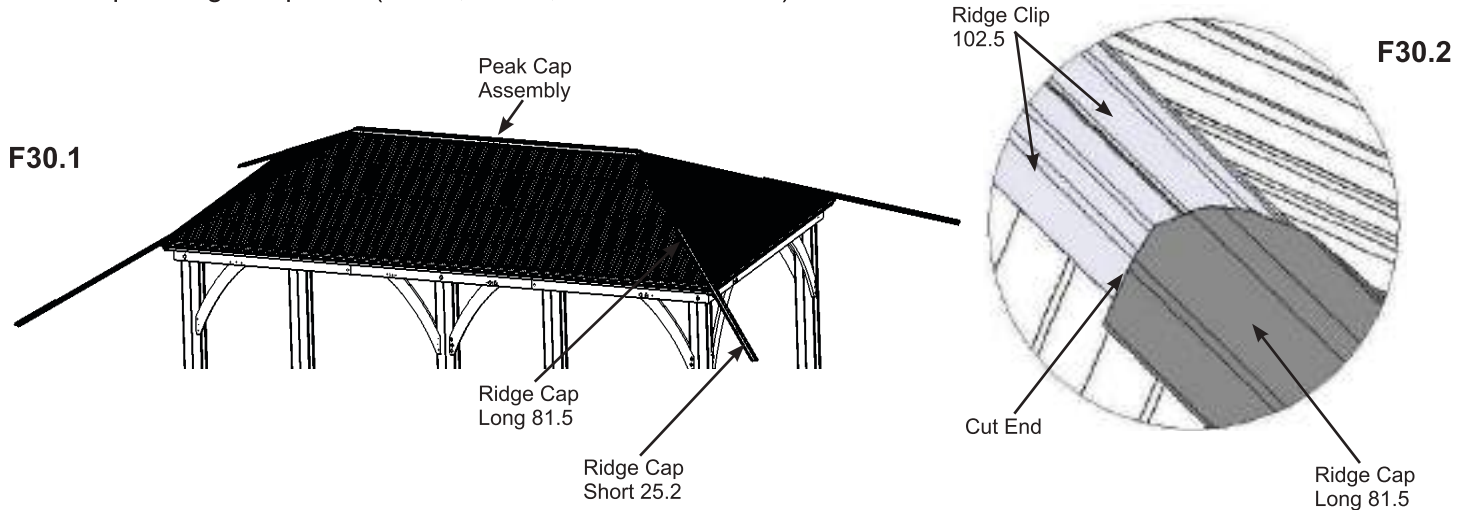
10 x 1/4 x 2" Hex Bolt
(1/4-5/16" large washer x 2, 1/4" lock nut)
30 x #12 x 1-1/2" Pan Screw

Step 30: Attach Ridge Caps to Roof Panels Part 1

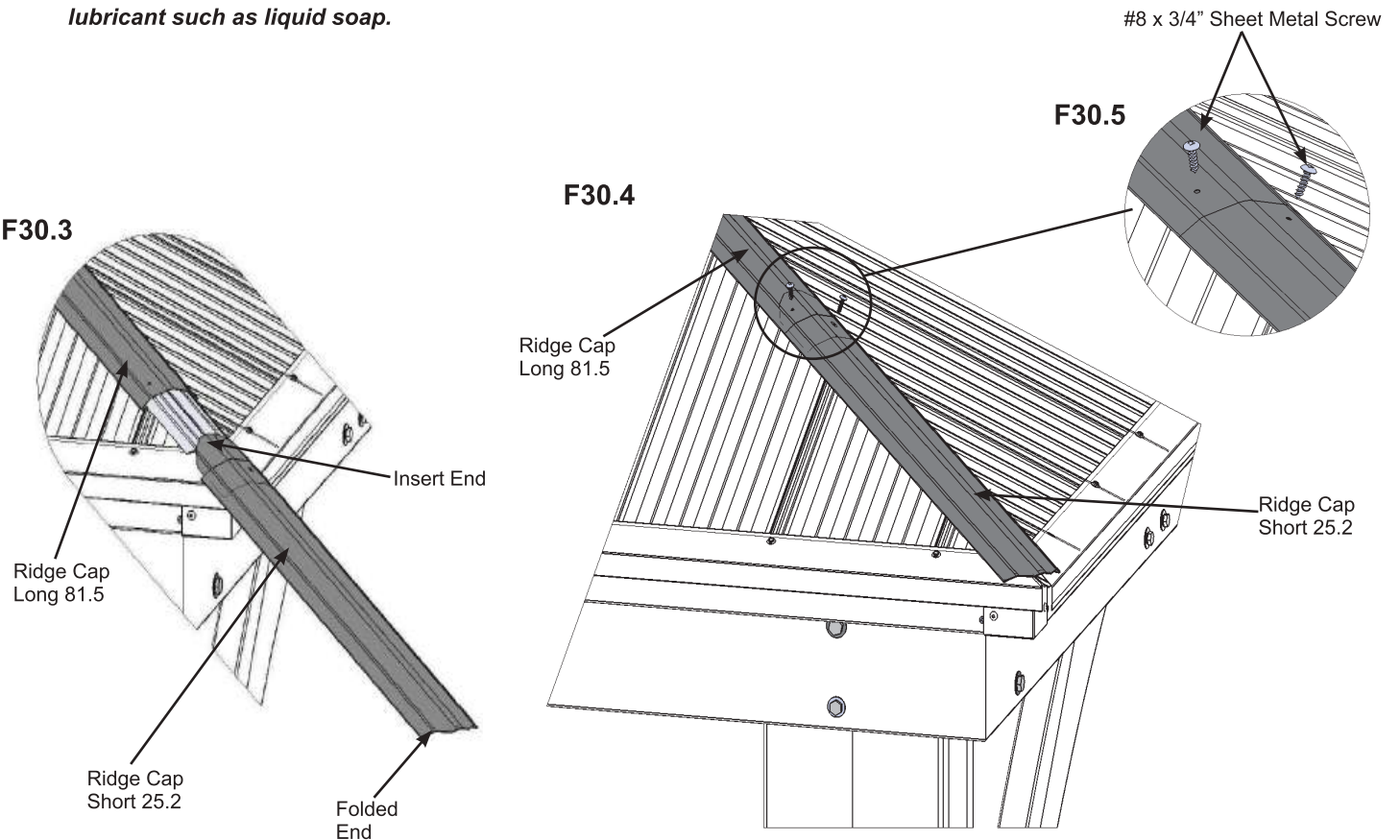


A: At each corner, slide one Ridge Cap Long 81.5 over the Ridge Clips, from the bottom up with cut end leading. (F30.1 and F30.2)

B: Slide Ridge Cap Short 25.2 over the Ridge Clips leading with the insert end to push the Ridge Cap Long 81.5 to the top, lifting Peak Cap Assembly so Ridge Cap Long 81.5s fit under. Attach with two #8 x 3/4" Sheet Metal Screws per Ridge Cap set. (F30.1, F30.3, F30.4 and F30.5)



Note: To help Ridge Caps slide on easier use a lubricant such as liquid soap.



Components:

- 4 x Ridge Cap Long 81.5
- 4 x Ridge Cap Short 25.2

Hardware

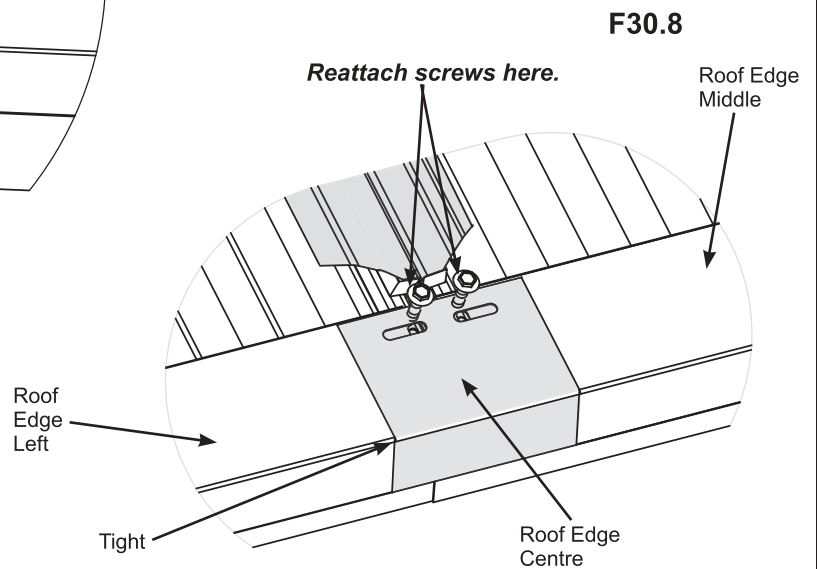
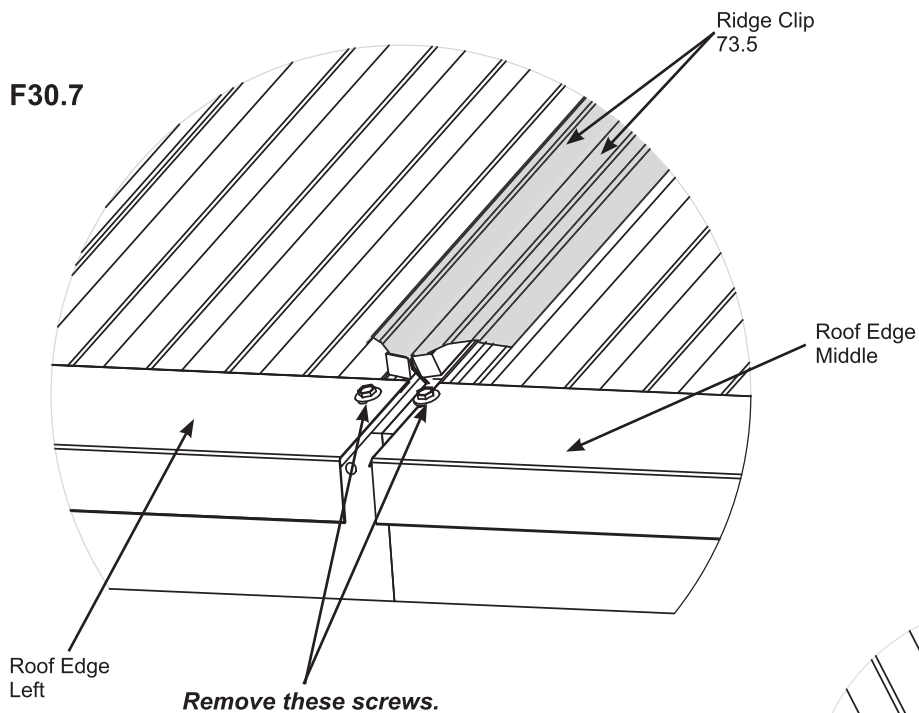
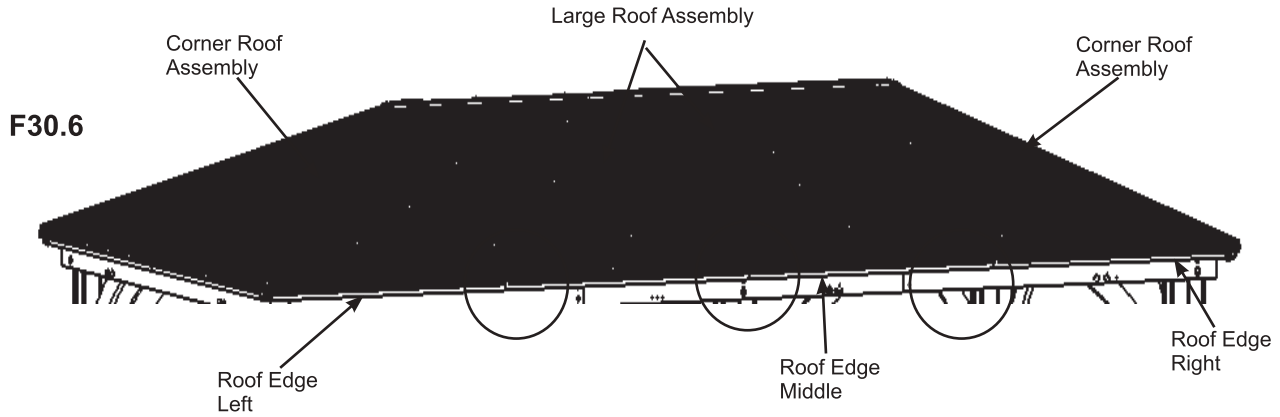
- 8 x #8 x 3/4" Sheet Metal Screw

Step 30: Attach Ridge Caps to Roof Panels Part 2



C: Remove the #8 x 1" Roofing Screws from each Roof Edge Left, Roof Edge Middle and Roof Edge Right where each Corner Roof Assembly and each Large Roof Assembly connect. Two screws per location. (F30.6 and F30.7)

D: Place one Roof Edge Centre over each connecting seam, tight to Roof Edges and attach with previously removed screws. (F30.6 and F30.8)



Components

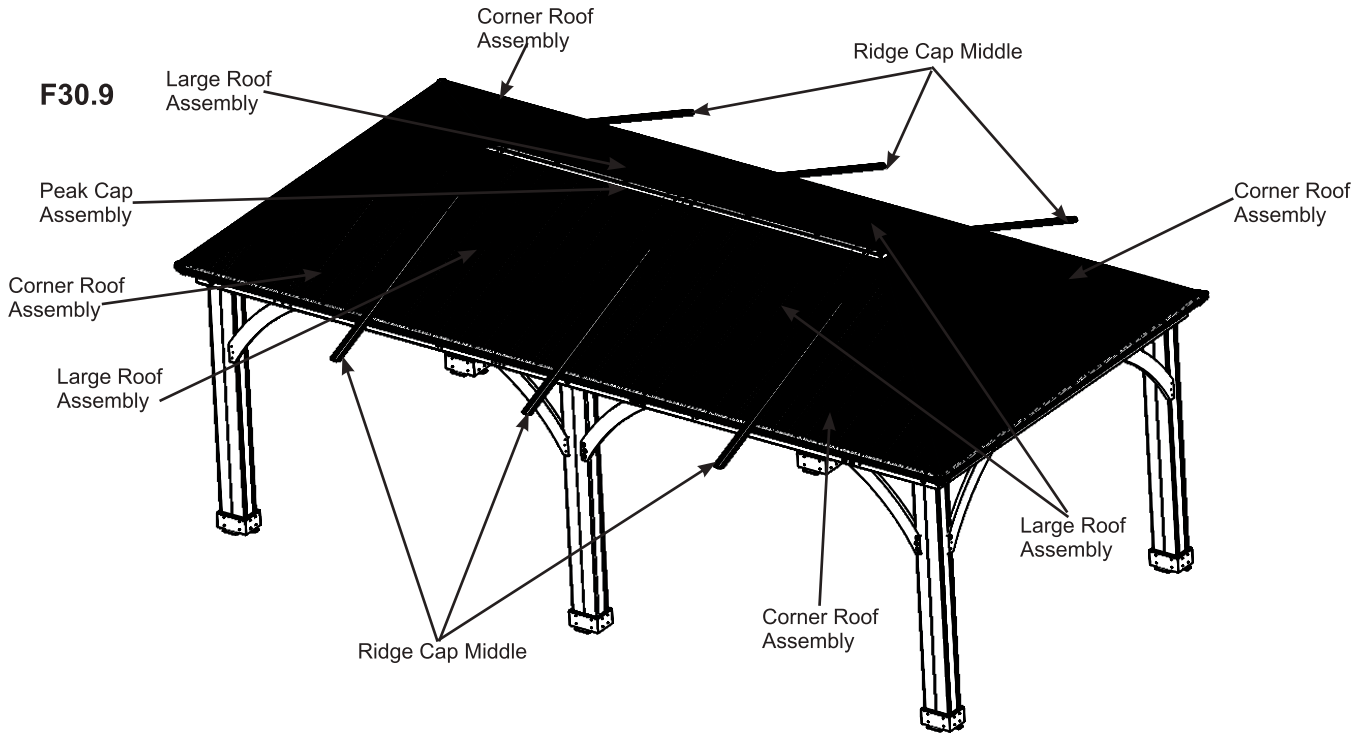
6 x Roof Edge Centre

Step 30: Attach Ridge Caps to Roof Panels

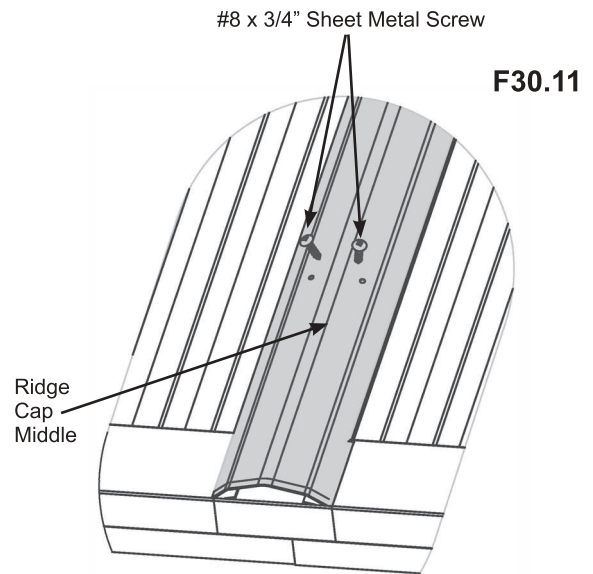
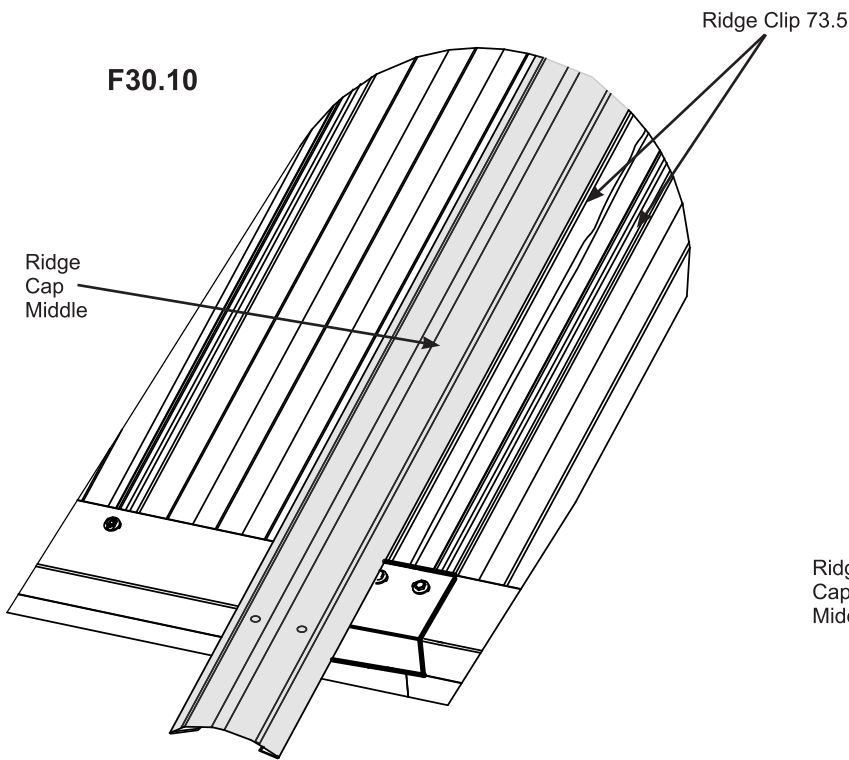
Part 3



E: At each Corner Roof Assembly and Large Roof Assembly connection, slide one Ridge Cap Middle over the Ridge Clips, from the bottom up to the top, with cut end leading. Slide under Peak Cap Assembly. Attach with two #8 x 3/4" Sheet Metal Screws per Ridge Cap Middle. (F30.9, F30.10 and F30.11)



Note: To help Ridge Caps slide on easier use a lubricant such as liquid soap.



Components

6 x Ridge Cap Middle

Hardware

12 x #8 x 3/4" Sheet Metal Screw

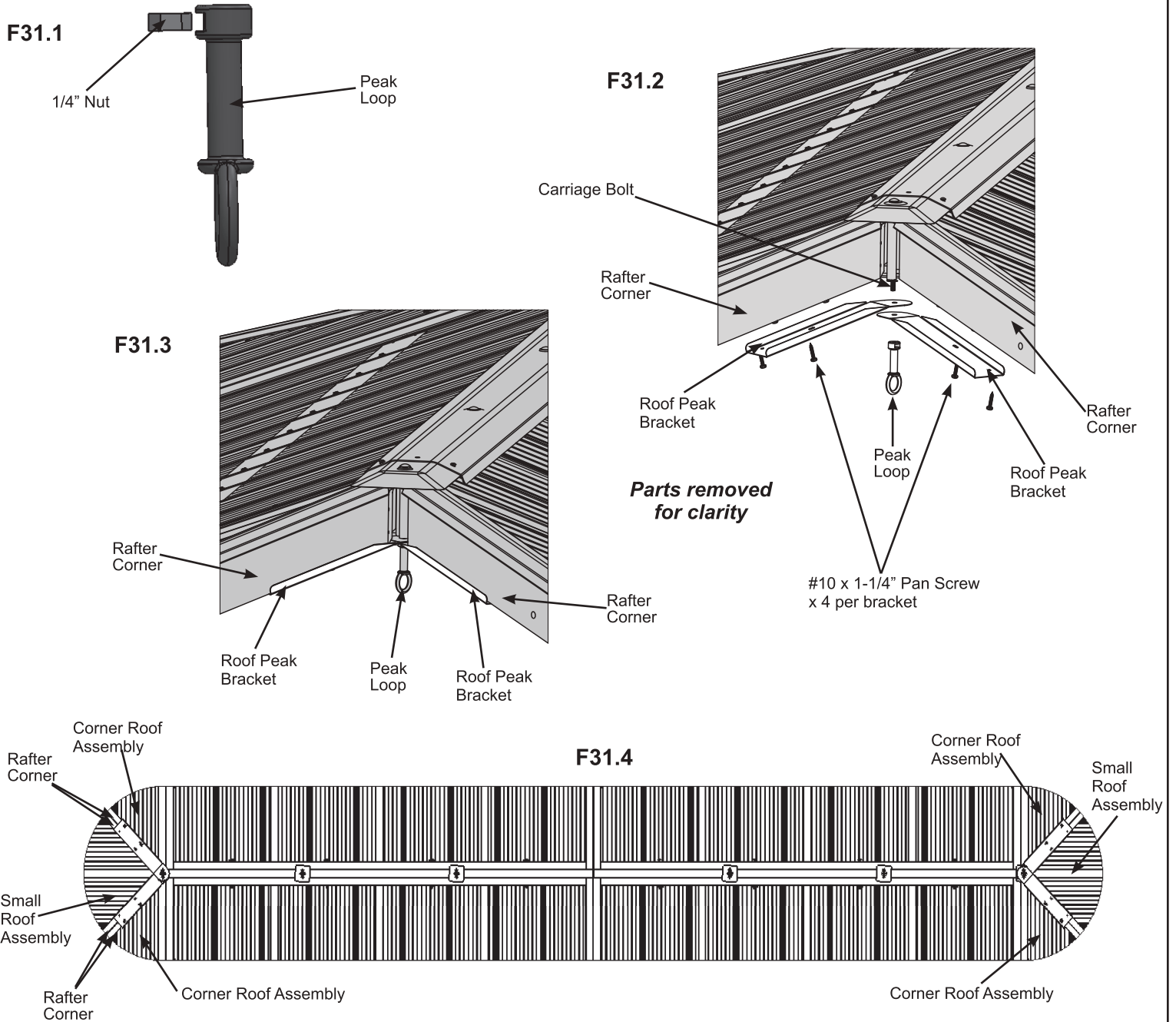
Step 31: Secure Roof Peak Detail Part 1



A: Insert one 1/4" Nut into each Peak Loop. Be careful nut is loose and will fall out until attached to Carriage Bolt. Only 2 are used in Part 1, the remaining 4 will be used in Part 2. (F31.1)

B: Insert two Roof Peak Brackets through each end Carriage Bolt, so they fit over the Rafter Corners, and attach Peak Loop to Carriage Bolts then twist to tighten. (F31.2, F31.3 and F31.4)

C: Attach each set of Roof Peak Brackets to the Rafter Corners of the connected Corner and Small Roof Assemblies in the slotted holes with four #10 x 1-1/4" Pan Screws per bracket. (F31.2, F31.3 and F31.4)



Components

6 x Peak Loop
6 x 1/4" Nut
4 x Roof Peak Bracket

Hardware

16 x #10 x 1-1/4" Pan Screw

Step 31: Secure Roof Peak Detail Part 2

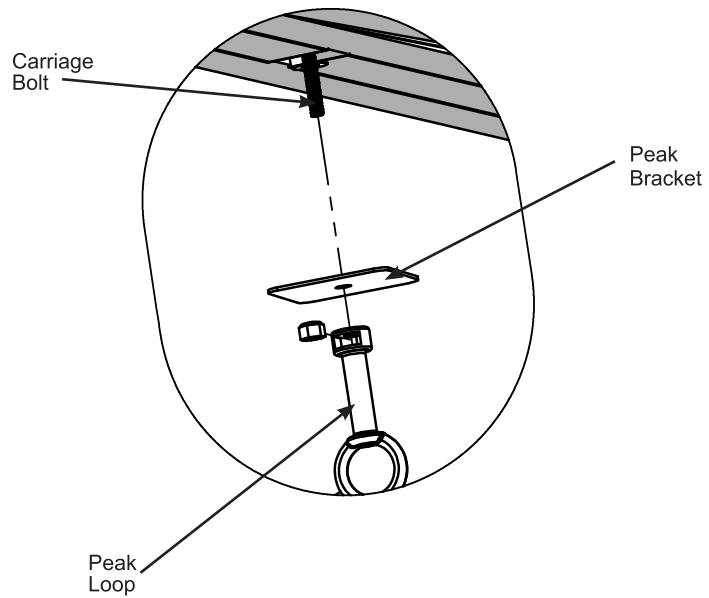


D: Place one Peak Bracket over each of the remaining Carriage Bolts then attach Peak Loop to Carriage Bolts and twist to tighten. (F31.5 and F31.6)

F31.5



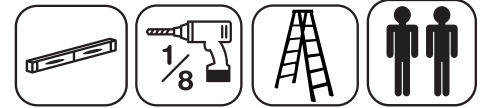
F31.6



Components

4 x Peak Bracket

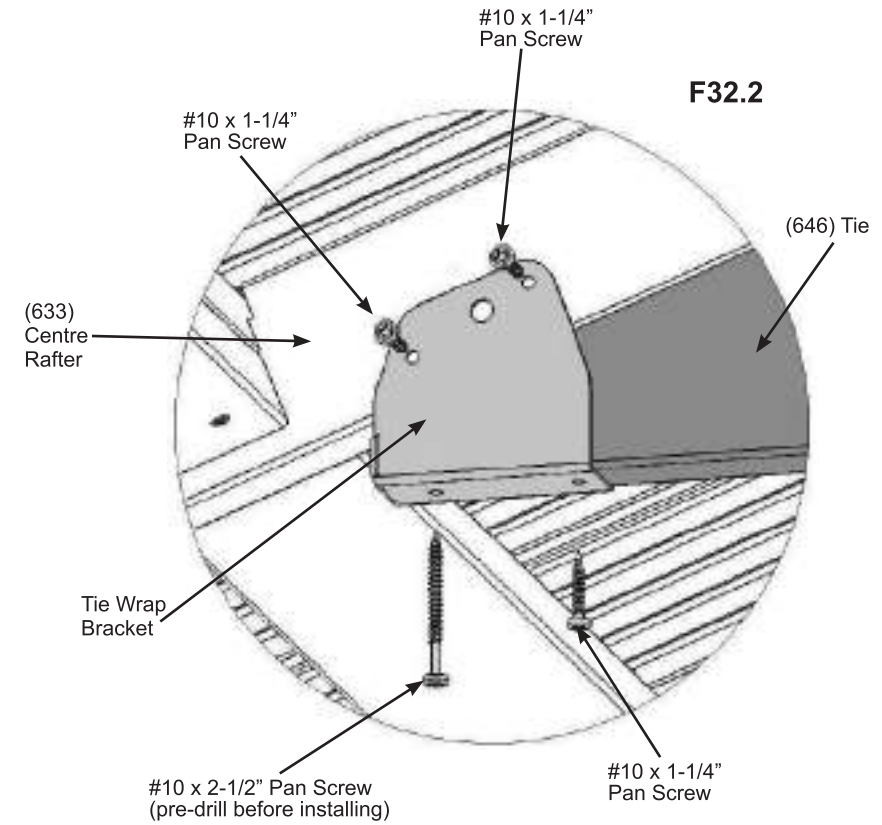
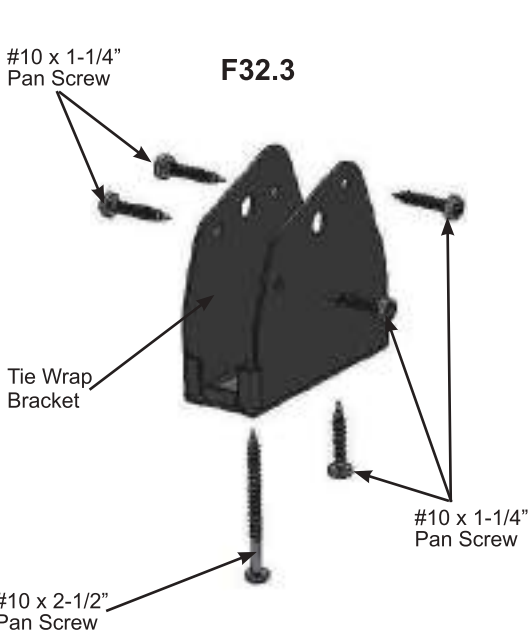
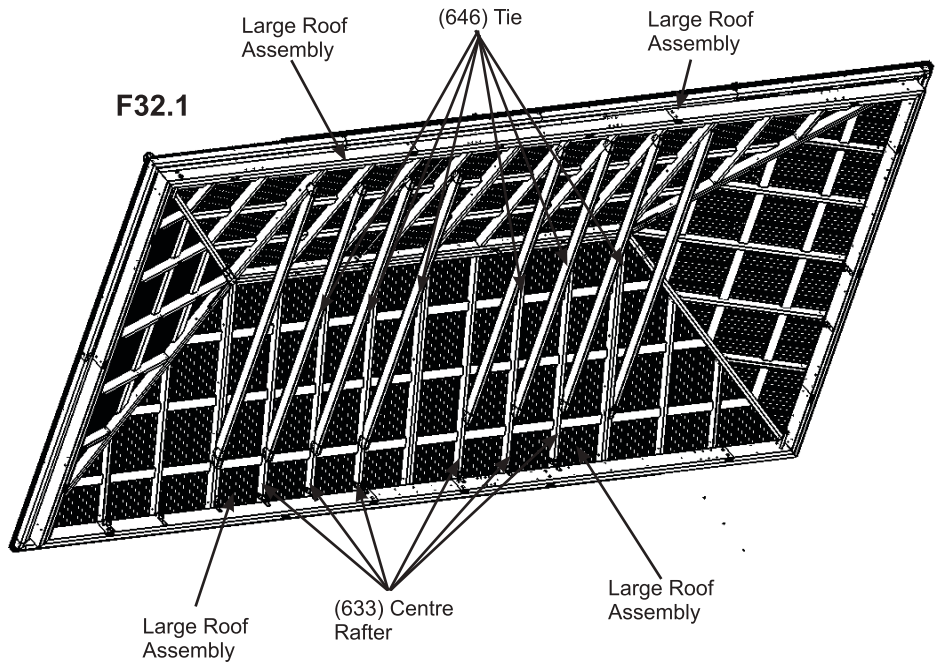
Step 32: Attach Tie Wrap Brackets and Ties Part 1



A: Attach one Tie Wrap Bracket tight to each end of six (646) Ties with one #10 x 1-1/4" Pan Screw per bracket using the inside holes. (F32.2 and F32.3)

B: With a helper place one (646) Tie with brackets against each (633) Centre Rafter on Large Roof Assemblies so (646) Tie is tight to the rafters and are level. Attach Tie Wrap Bracket to (633) Centre Rafters with two #10 x 1-1/4" Pan Screws on both sides of each bracket. (F32.1, F32.2 and F32.3)

C: Pre-drill with a 1/8" drill bit and secure Tie Wrap Brackets to (646) Ties and (633) Centre Rafters with one #10 x 2-1/2" Pan Screw per bracket. (F32.1, F32.2 and F32.3)



Wood Parts

6 x (646) Tie

Components

12 x Tie Wrap Bracket

Hardware

60 x #10 x 1-1/4" Pan Screw
12 x #10 x 2-1/2" Pan Screw

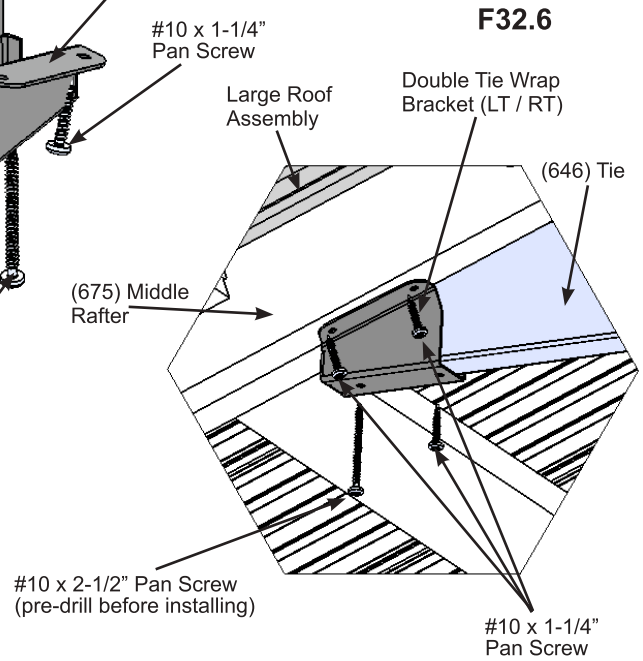
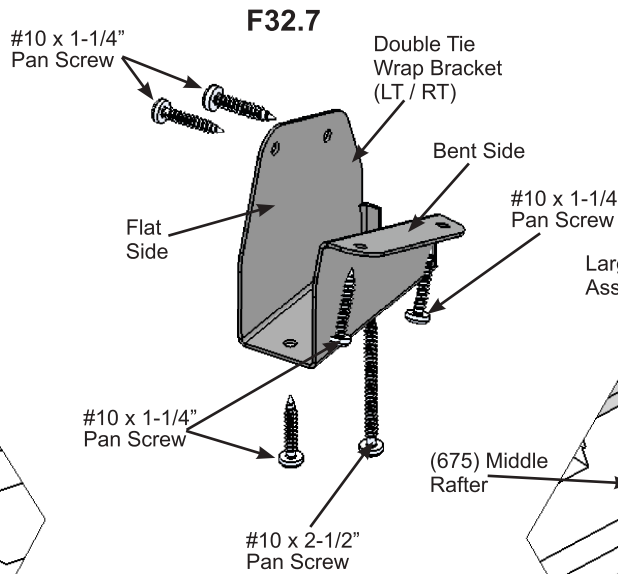
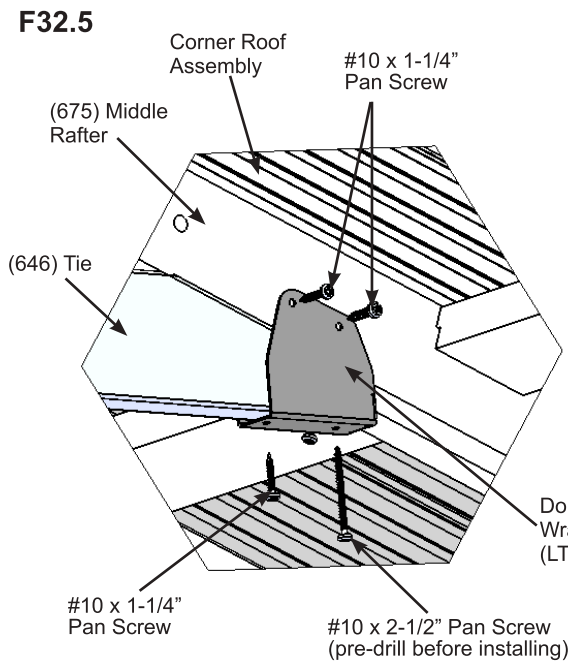
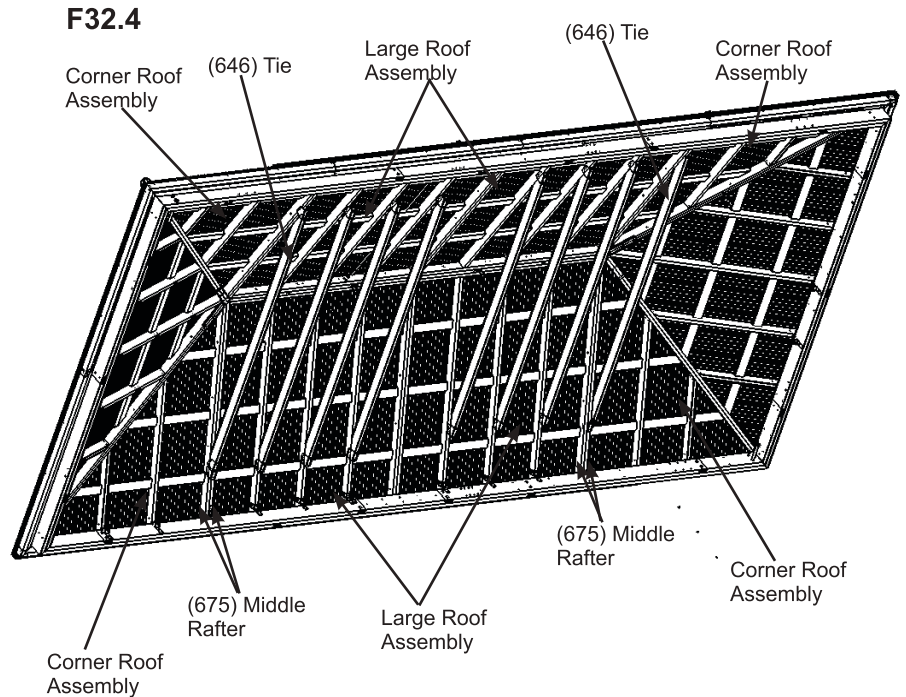
Step 32: Attach Tie Wrap Brackets and Ties Part 2



D: Attach one Double Tie Wrap Bracket RT and one Double Tie Wrap Bracket LT tight to each end of two (646) Ties with one #10 x 1-1/4" Pan Screw per bracket using the inside holes. Make sure flat side of each bracket is on the same side of the (646) Ties. (F32.5, F32.6 and F32.7)

E: With a helper place one (646) Tie against each (675) Middle Rafter on Corner Roof Assemblies so (646) Tie is tight to the rafters and are level. Flat side of each bracket must face out, bent side will be tight to (675) Middle Rafter on Large Roof Assemblies. Attach Double Tie Wrap Bracket to (675) Middle Rafters with four #10 x 1-1/4" Pan Screws. (F32.4, F32.5, F32.6 and F32.7)

F: Pre-drill with a 1/8" drill bit and secure Double Tie Wrap Brackets to (646) Ties and (675) Middle Rafters with one #10 x 2-1/2" Pan Screw per bracket. (F32.4, F32.5 and F32.6)



Wood Parts

2 x (646) Tie

Components

2 x Double Tie Wrap Bracket RT
2 x Double Tie Wrap Bracket LT

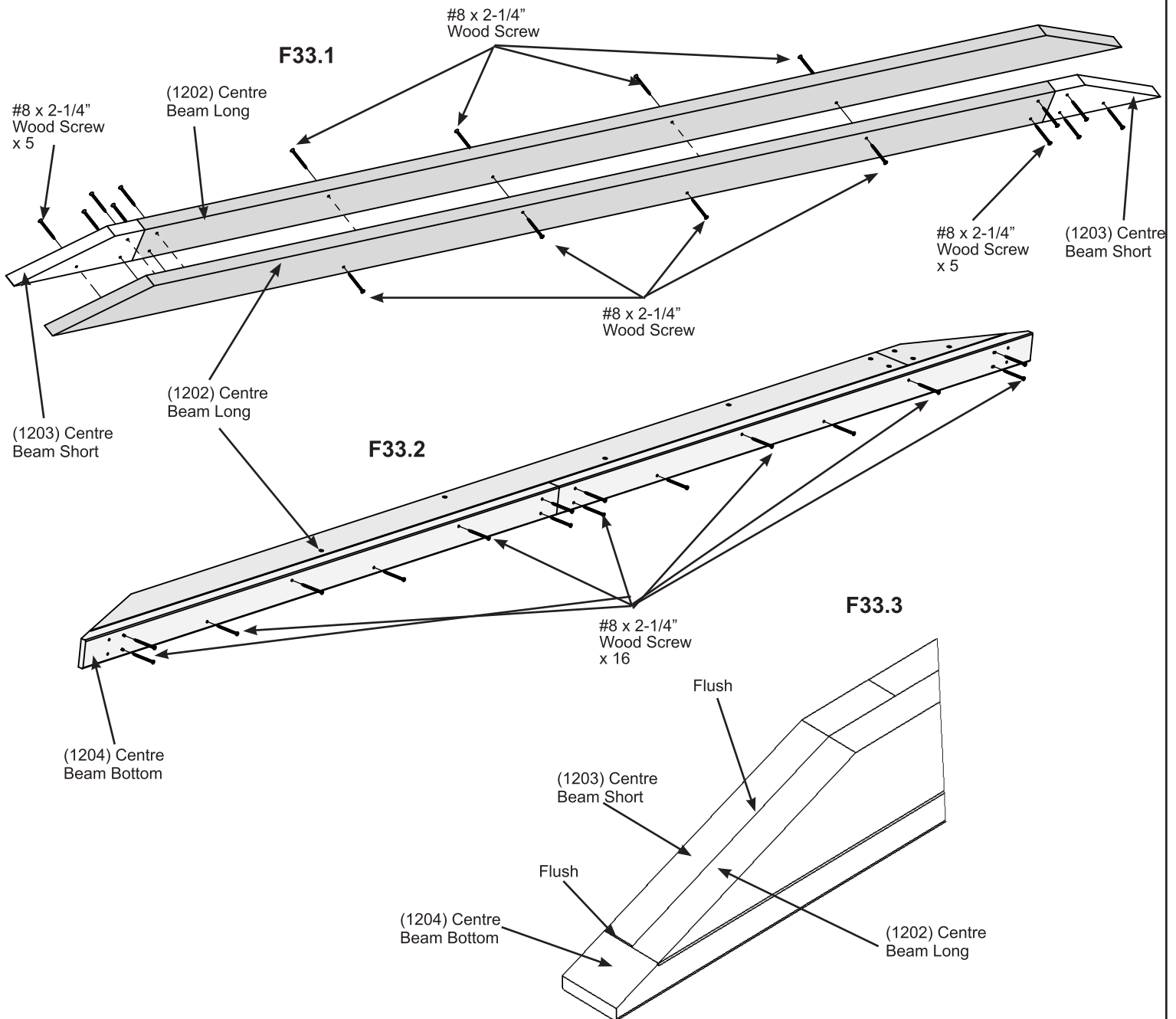
Hardware

20 x #10 x 1-1/4" Pan Screw
4 x #10 x 2-1/2" Pan Screw

Step 33: Centre Beam Assembly Part 1

A: Place one (1202) Centre Beam Long against one (1203) Centre Beam Short. Repeat for a second set making sure the (1203) Centre Beam Short is on the opposite end of (1202) Centre Beam Long. Place all boards together, tops and ends to be flush, then attach using 18 #8 x 2-1/4" Wood Screws. Notice orientation of screws being installed. (F33.1 and F33.3)

B: Attach two (1204) Centre Beam Bottoms to bottom of (1202) Centre Beam Longs and (1203) Centre Beam Shorts using 16 #8 x 2-1/4" Wood Screws. (1204) Centre Beam Bottoms will overhang at the ends. This creates the Centre Beam Assembly. (F33.2 and F33.3)



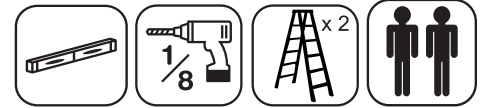
Wood Parts

- 2 x (1202) Centre Beam Long
- 2 x (1203) Centre Beam Short
- 2 x (1204) Centre Beam Bottom

Hardware

- 34 x #8 x 2-1/4" Wood Screw

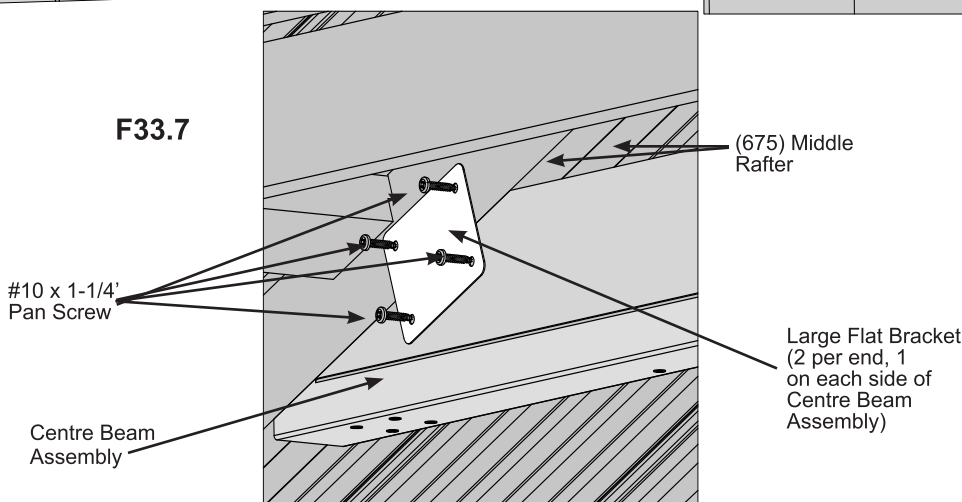
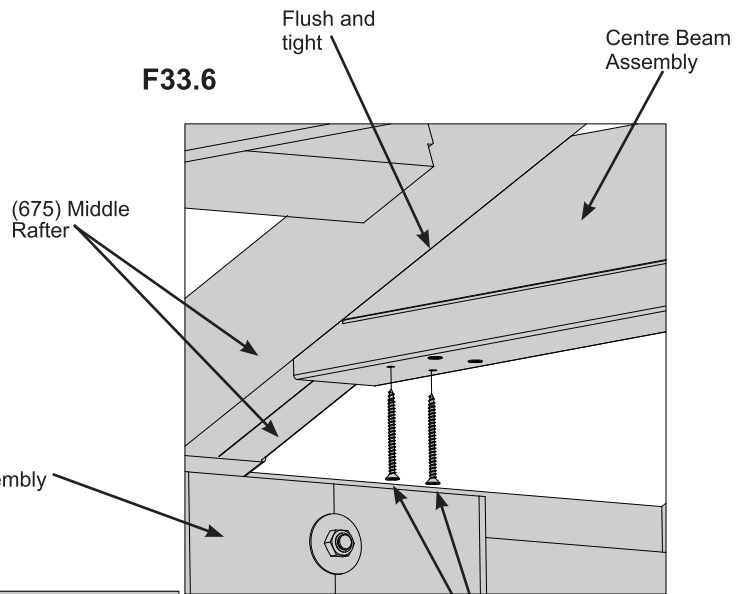
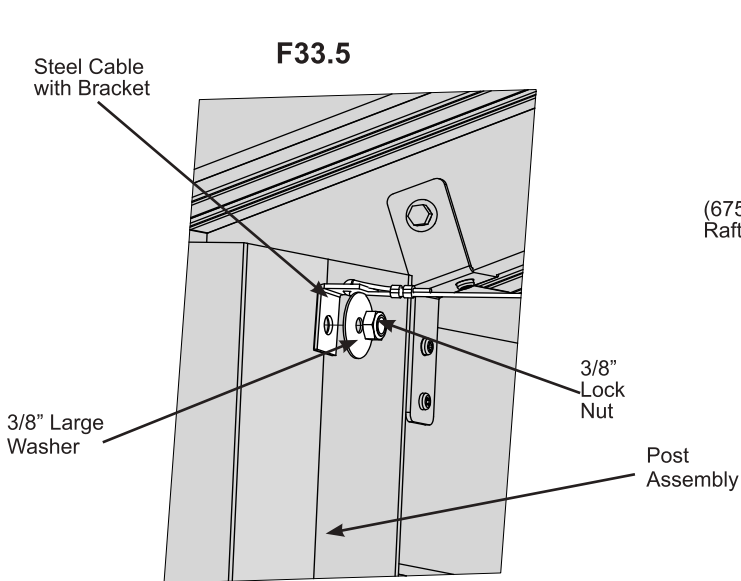
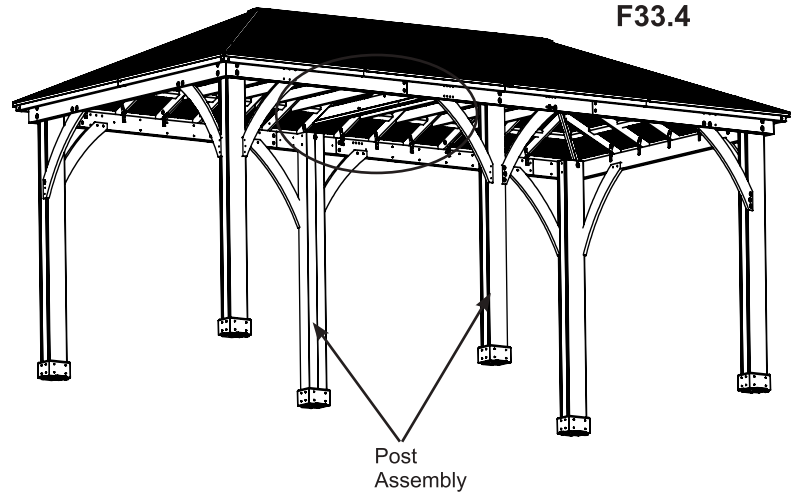
Step 33: Centre Beam Assembly Part 2



C: Remove the bolt, washers and lock nut on the middle Post Assembly which attaches the Steel Cable with Brackets. Remove the Steel Cable with Brackets then reinstall the bolt, washers and lock nut. (F33.4, F33.5)

D: Place Centre Beam Assembly against (675) Middle Rafters above middle Post Assembly. Make sure Centre Beam Assembly is level then attach using two #8 x 3" Wood Screws per end. (F33.4 and F33.6)

E: Attach Centre Beam Assembly to (675) Middle Rafters with four Large Flat Brackets (2 per end) using four #10 x 1-1/4" Pan Screws per bracket. (F33.7)



Components

4 x Large Flat Bracket

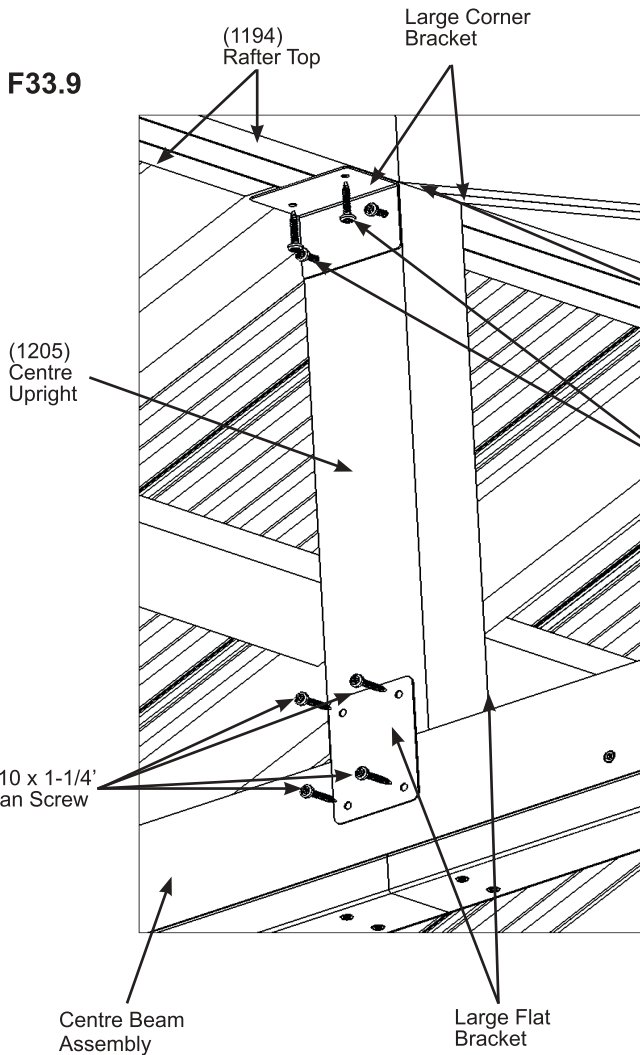
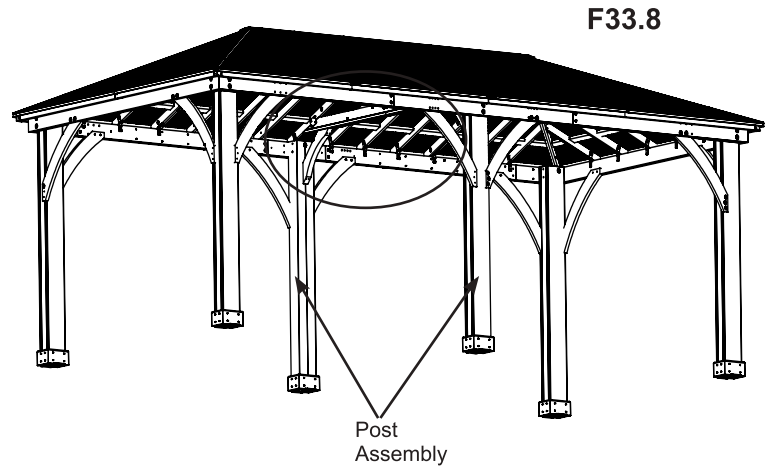
Hardware

16 x #10 x 1-1/4" Pan Screw
4 x #8 x 3" Wood Screw

Step 33: Centre Beam Assembly Part 3

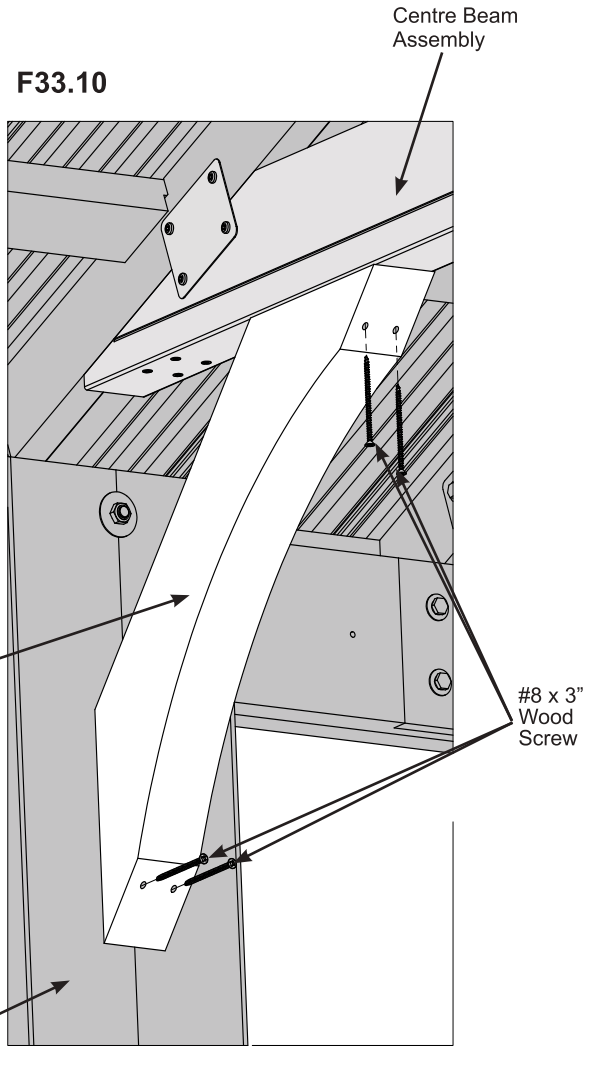
F: At the centre of the Centre Beam Assembly place (1205) Centre Upright. Attach Centre Beam Assembly to (1205) Centre Upright with 2 Large Flat Brackets using four #10 x 1-1/4" Pan Screws per bracket and (1205) Centre Upright to (1194) Rafter Tops with 2 Large Corner Brackets using four #10 x 1-1/4" Pan Screws per bracket. Brackets are installed on both sides of (1205) Centre Upright. (F33.8 and F33.9)

G: Tight to each middle Post Assembly attach one (1206) Centre Gusset to each end of the Centre Beam Assembly and to Post Assembly using four #8 x 3" Wood Screws per gusset. (F33.8 and F33.10)



Note: There may be a small space

#10 x 1-1/4' Pan Screw x 4 per bracket



Wood Parts

- 1 x (1205) Centre Upright
- 2 x (1206) Centre Gusset

Components

- 2 x Large Flat Bracket
- 2 x Large Corner Bracket

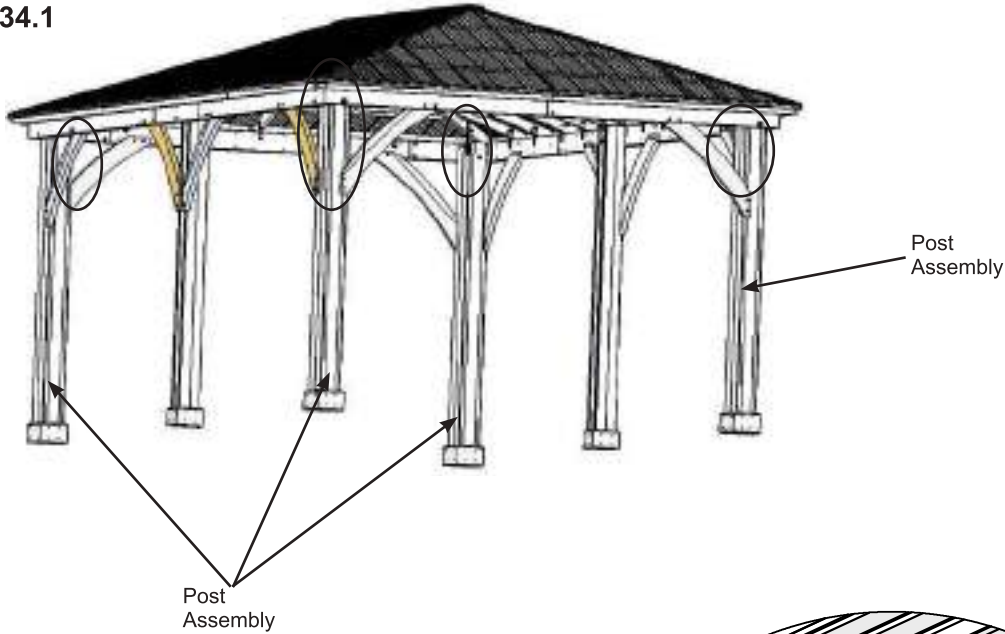
Hardware

- 16 x #10 x 1-1/4" Pan Screw
- 8 x #8 x 3" Wood Screw

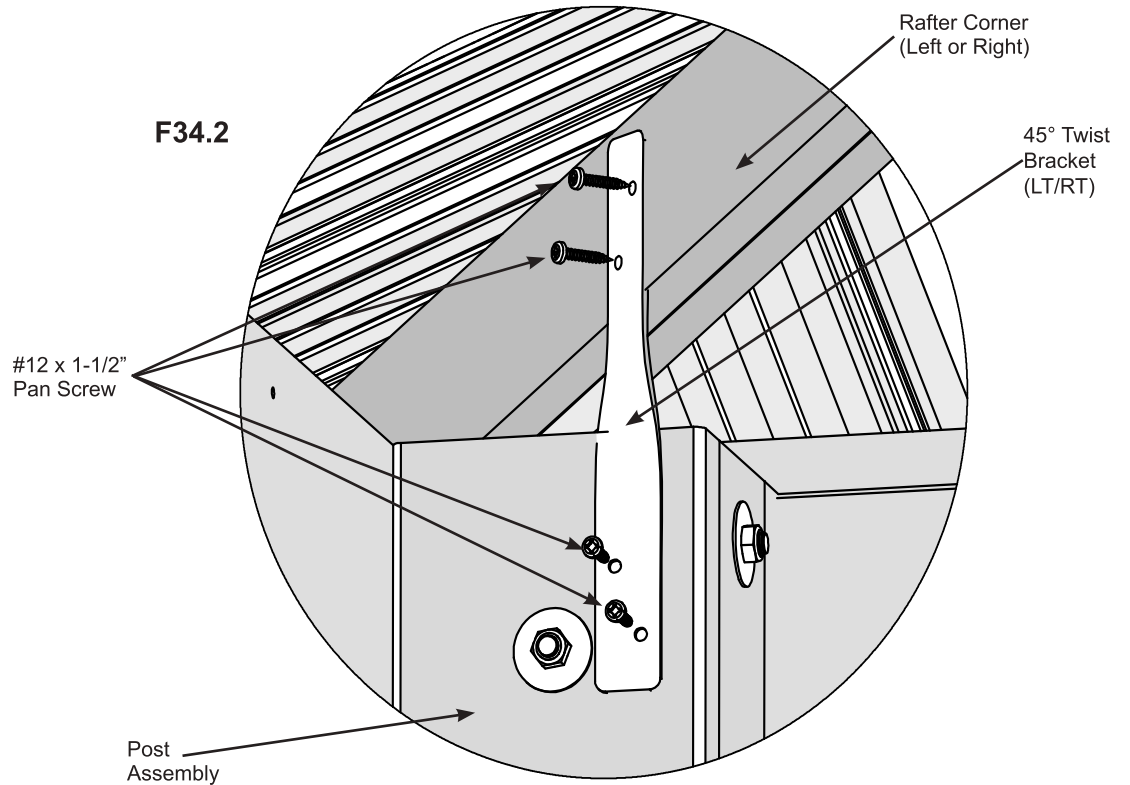
Step 34: Attach Twist Brackets

A: On the inside of each outside Post Assembly, place bottom of either 45° Twist Bracket LT or 45° Twist Bracket RT then attach to Post Assembly and Corner Rafter (Left or Right) with four #12 x 1-1/2" Pan Screws per bracket. (F34.1 and F34.2)

F34.1



F34.2



Components

2 x 45° Twist Bracket LT
2 x 45° Twist Bracket RT

Hardware

16 x #12 x 1-1/2" Pan Screw

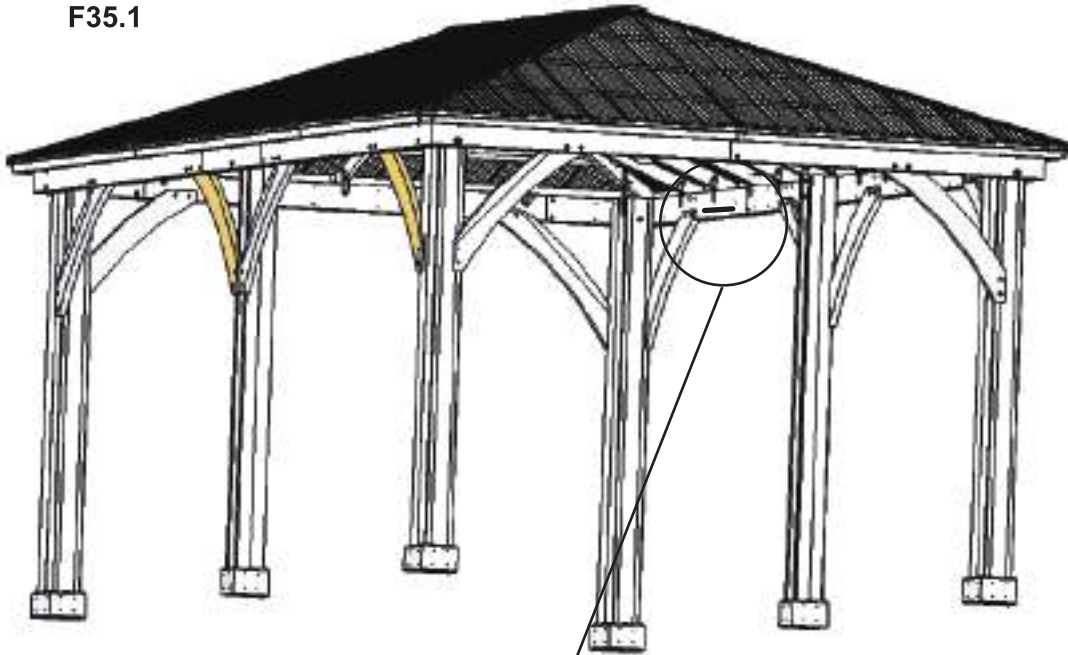
Step 35: Metal Hooks and Plaque



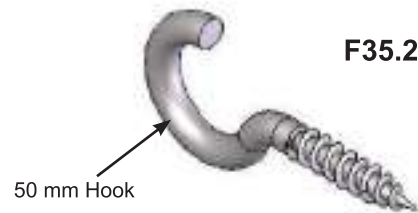
A: Two 50 mm Hooks are included with this unit for attaching wiring. They can be placed anywhere along the Rafters as needed. Pre-drill with a 1/8" drill bit before installing. (F35.1 and F35.2)

B: Attach Gazebo ID Plaque to a prominent location on your gazebo with two #8 x 1" Pan Screws. This provides warnings concerning safety and important contact information. A tracking number is provided to allow you to get critical information or order replacement parts for this specific model. (F35.1 and F35.3)

F35.1

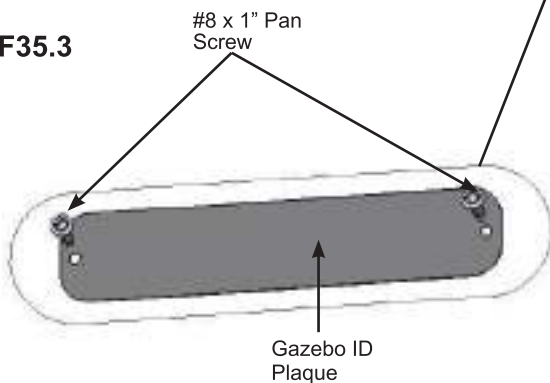


F35.2



50 mm Hook

F35.3



#8 x 1" Pan Screw

Gazebo ID Plaque

Note: We have provided two 50 mm hooks for optional use to hold in place any wires if required. These hooks are not designed to hold any heavy products such as lights, flower pots, etc.

Components

1 x Gazebo ID Plaque

Hardware

2 x 50 mm Hooks
2 x #8 x 1" Pan Screw



Customer Registration Card - Tarjeta de Registro del Cliente - Carte d'inscription du client

First Name - Primer Nombre - Prénom	Initial - Inicial - Initiale	Last Name - Apellido - Nom de famille

Street - Calle - Rue	PO Box - Casilla postal - Boîte postale	Apt. No. - App.

City - Ciudad - Ville	State/Province - Estado/Provincia - État/Province

ZIP/Postal Code - Código Postal - ZIP/Code postal	Country - País - Pays

E-mail Address - Dirección de E-mail - Adresse courriel	Telephone Number - No. de Teléfono - N° de téléphone

Model Name - Nombre del Modelo - Nom du modèle	Model Number (from front cover) - Número de Modelo (de la portada) - N° du modèle (page de couverture)

Date of Purchase - Fecha de Compra - Date d'achat (mm/dd/yyyy) (mm/dd/aaaa) (mm/jj/aaaa)	Place of Purchase - Comprado a - Lieu d'achat

Comments - Comentarios - Commentaires:

Mail To - Enviar por Correo a - Envoyer par courrier à:

Yardistry
375 Sligo Road West, PO Box 10
Mount Forest, Ontario, Canada, N0G 2L0
Attention: Consumer Relations
Atención a: Servicio de Atención al Cliente
À l'attention de: Service à la clientèle

Online Registration - Registro online - Enregistrement en ligne:

www.yardistrystructures.com/warranty

Regular Hours: Mon - Fri, 8:30 am - 5:00 pm EST
(excl. holidays)

(For extended hours see our website)
English and French Spoken

Yardistry would like to say "Thank you" for your time and feedback.

Yardistry quiere "Agradecerle" por su tiempo y su opinión.

Yardistry aimerait vous remercier d'avoir pris le temps de répondre au sondage.