

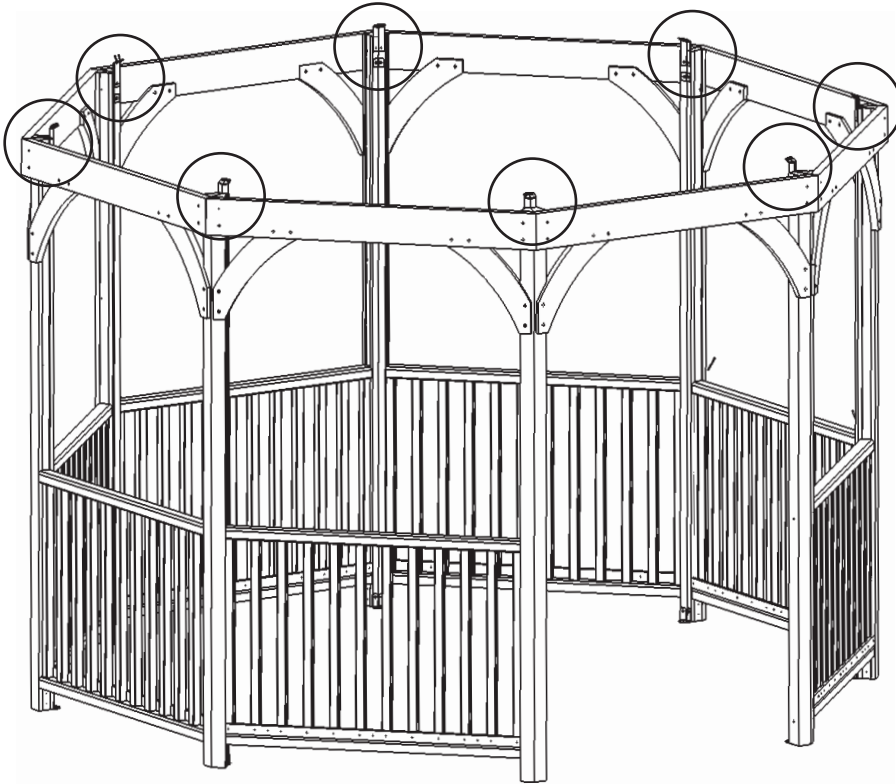
# Step 7: Frame Assembly

## Part 6

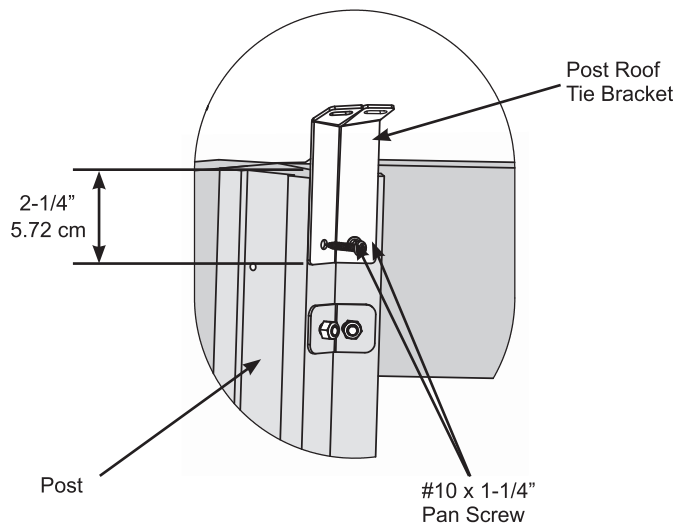


**M:** In the places shown in F7.19, measure 2-1/4" (5.72 cm) down from the top of the Post then attach Post Roof Tie Bracket to Posts with two #10 x 1-1/4" Pan Screws per bracket. (F7.19 and F7.20)

F7.19



F7.20



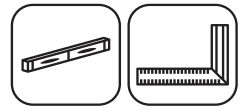
### Components

8 x Post Roof Tie Bracket

### Hardware

16 x #10 x 1-1/4" Pan Screw

## Step 8: Anchoring Frame Assembly

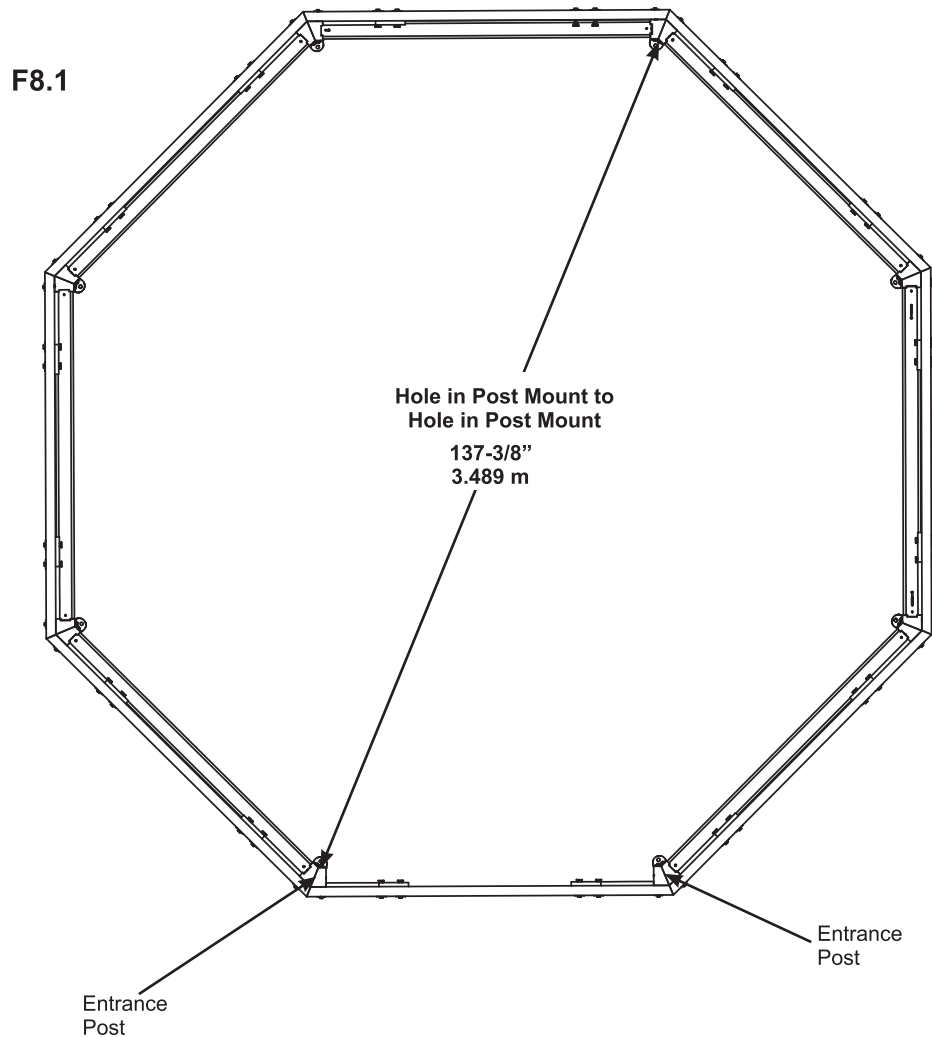


**A:** Make sure the distance between the entrance posts are the same at the top and bottom of the assembly. (F8.1)

**B:** Make sure each corner is square and level. The diagonal distance between the hole in the Post Mount of two opposite Post Assemblies should be  $137\text{-}3/8''$  (3.489 m). (F8.1)

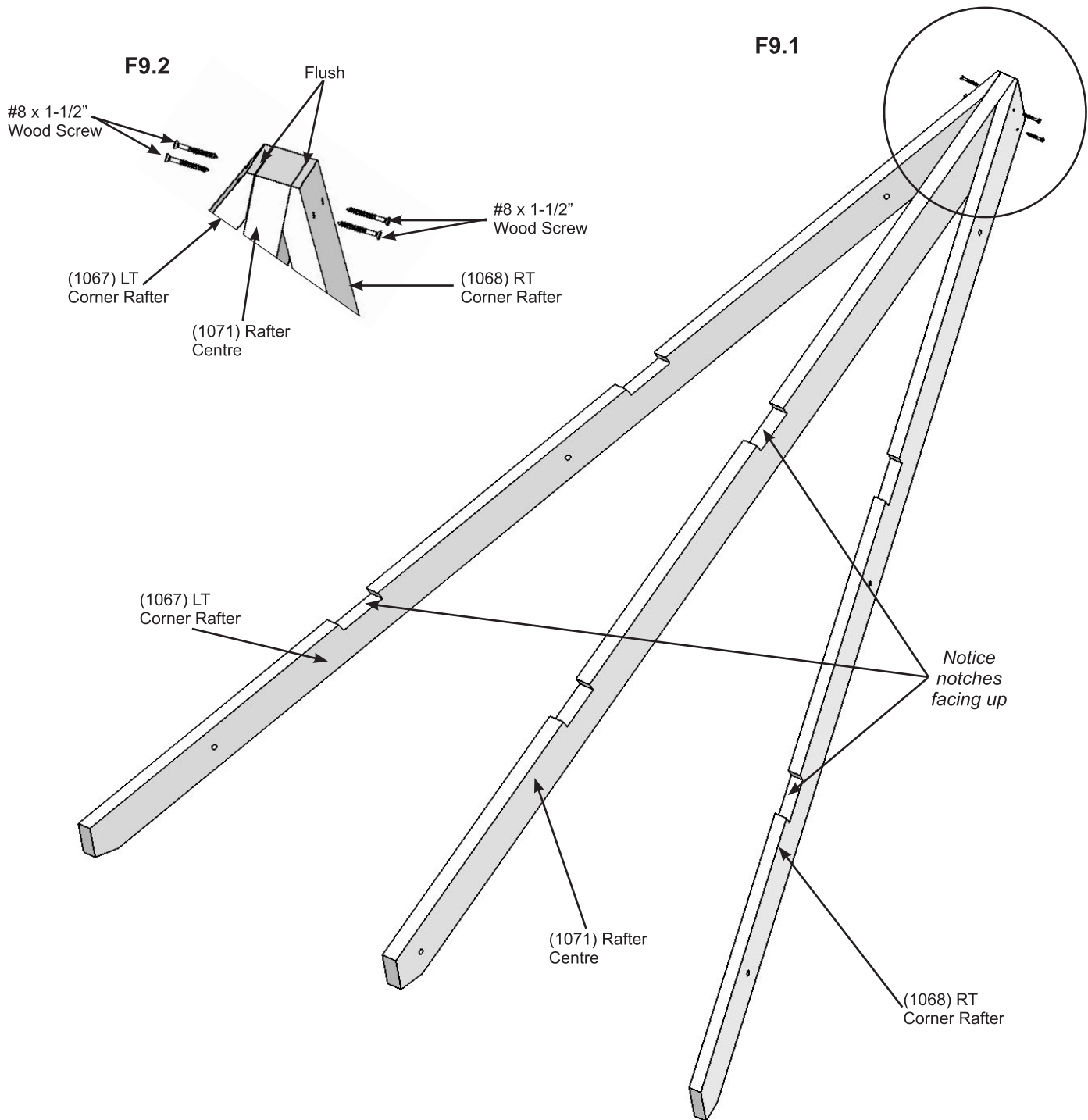
**C:** Depending on what you are placing the Gazebo on will determine how you anchor it to that surface. Please refer to pages 6 and 7 for installation examples.

***Any hardware or extra materials for mounting will have to be purchased in advance.***



# Step 9: Roof Panel Frame Part 1

**A:** On each side of one (1071) Rafter Centre place one (1067) LT Corner Rafter and one (1068) RT Corner Rafter so the tops are flush. Attach through (1067) LT Corner Rafter and (1068) RT Corner Rafter with two #8 x 1-1/2" Wood Screws per side. (F9.1 and F9.2)



### Wood Parts

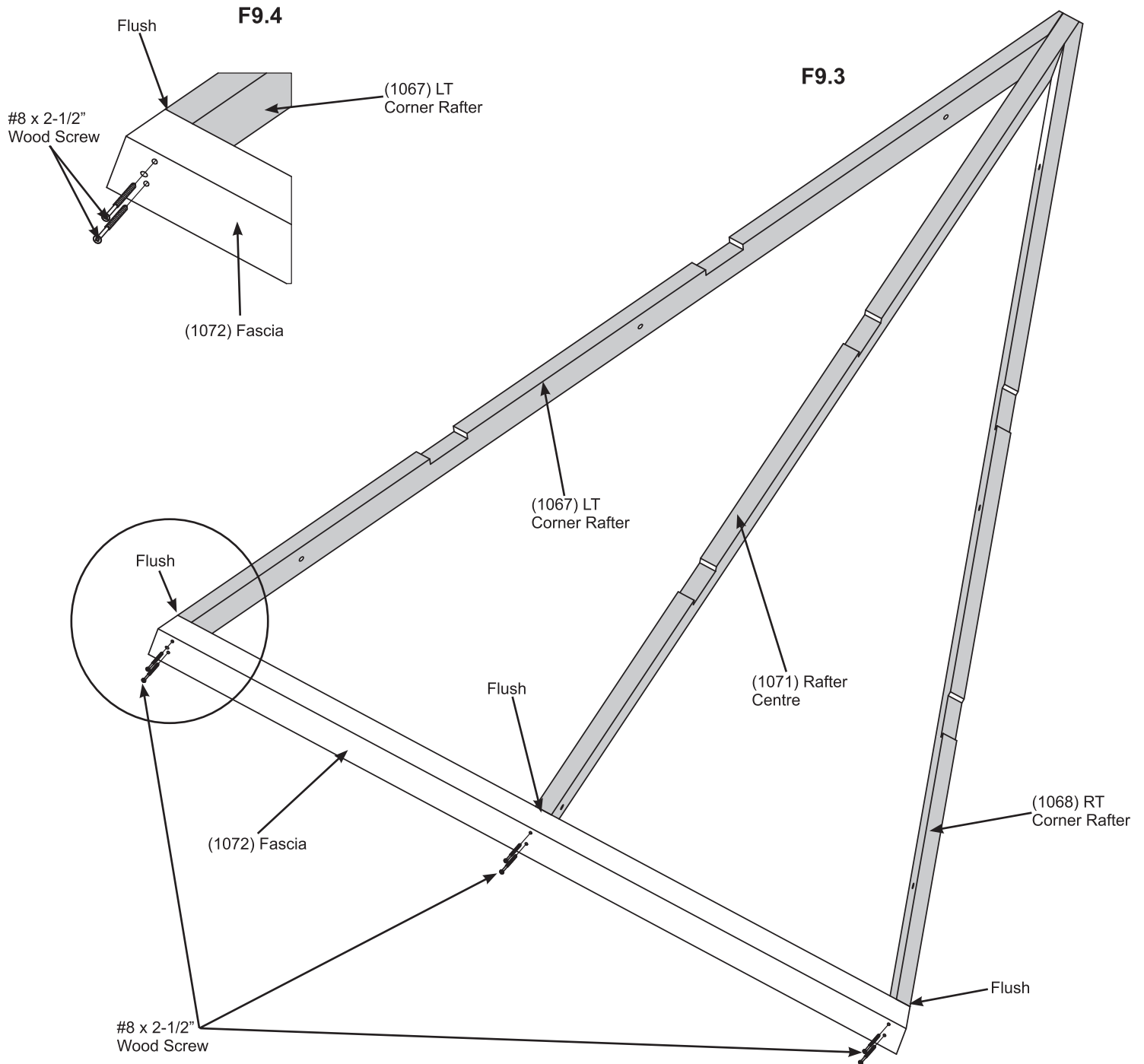
- 8 x (1067) LT Corner Rafter
- 8 x (1068) RT Corner Rafter
- 8 x (1071) Rafter Centre

### Hardware

- 32 x #8 x 1-1/2" Wood Screw

# Step 9: Roof Panel Frame Part 2

**B:** Place one (1072) Fascia on the bottom of (1071) Rafter Centre, (1067) LT Corner Rafter and (1068) RT Corner Rafter, flush to the outside Corner Rafters and tops of all three rafters. Attach with six #8 x 2-1/2" Wood Screws. (F9.3 and F9.4)



### Wood Parts

8 x (1072) Fascia

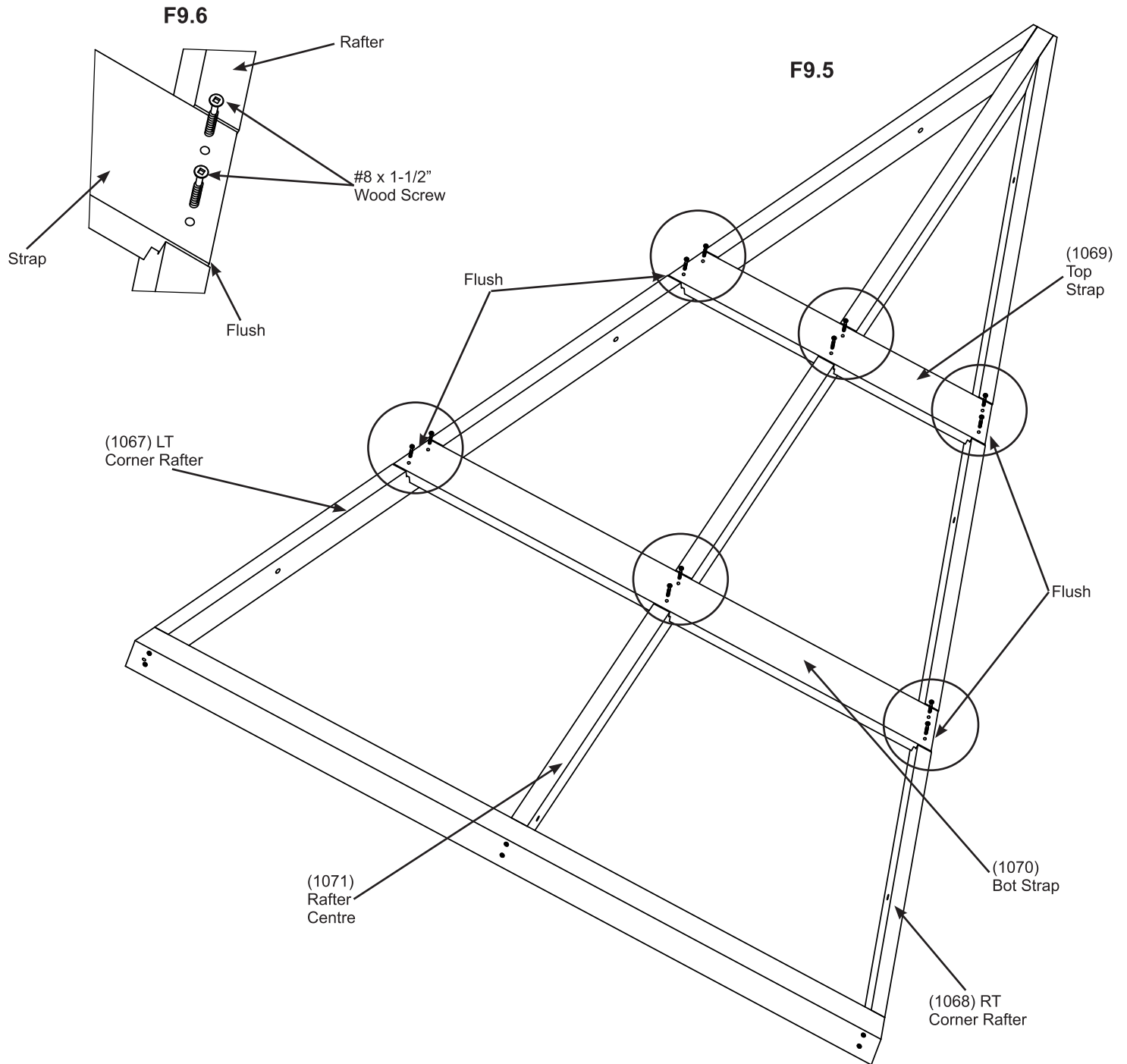
### Hardware

48 x #8 x 2-1/2" Wood Screw

# Step 9: Roof Panel Frame Part 3

**C:** Place one (1069) Top Strap and one (1070) Bot Strap in the grooves of the rafters so the outside edges are flush with the outside rafters then attach with six #8 x 1-1/2" Wood Screws per board. (F9.5 and F9.6)

**D:** Repeat Steps A - C seven more times to create eight Roof Panel Frames.



### Wood Parts

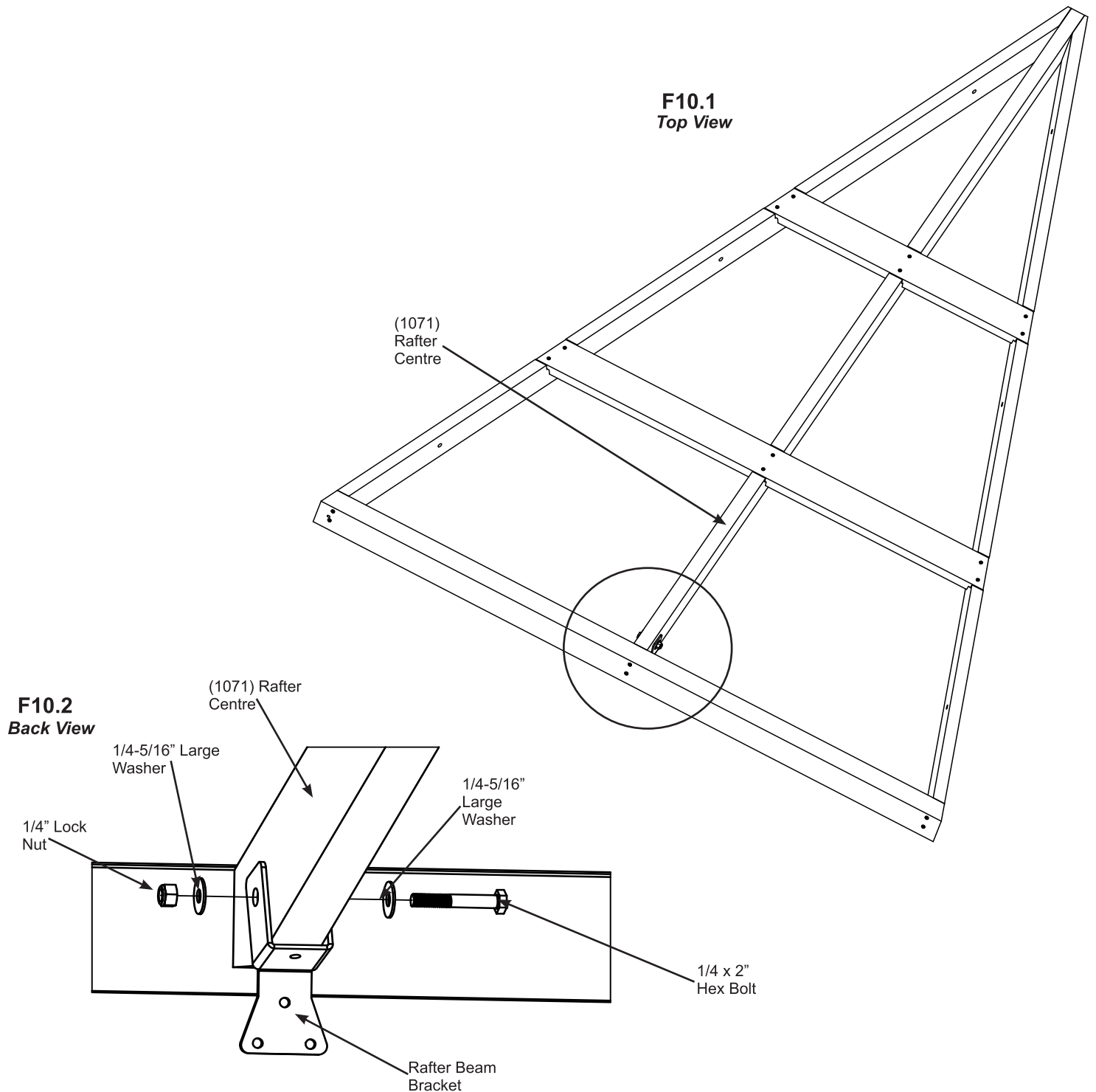
- 8 x (1069) Top Strap
- 8 x (1070) Bot Strap

### Hardware

- 96 x #8 x 1-1/2" Wood Screw

## Step 10: Attach Rafter Beam Brackets

**A:** On the back of seven Roof Panel Frames place one Rafter Beam Bracket on each (1071) Rafter Centre then loosely attach each bracket to rafters with one 1/4 x 2" Hex Bolt (with two 1/4-5/16" large washers and one 1/4" lock nut). (F10.1 and F10.2)

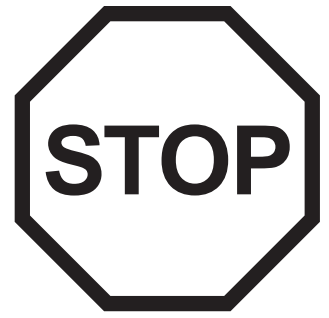
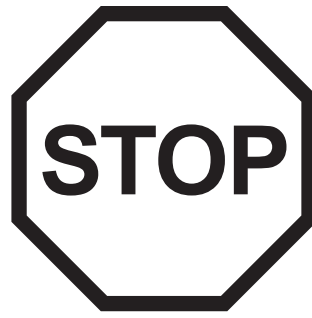
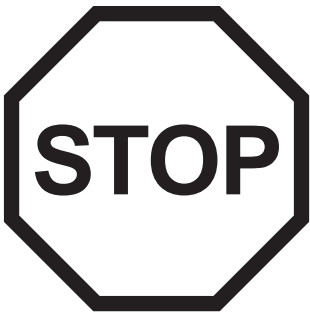


### Components:

7 x Rafter Beam Bracket

### Hardware

7 x 1/4 x 2" Hex Bolt  
(1/4-5/16" large washer x 2, 1/4" lock nut)



# INSTALLING ROOFING MATERIAL

---

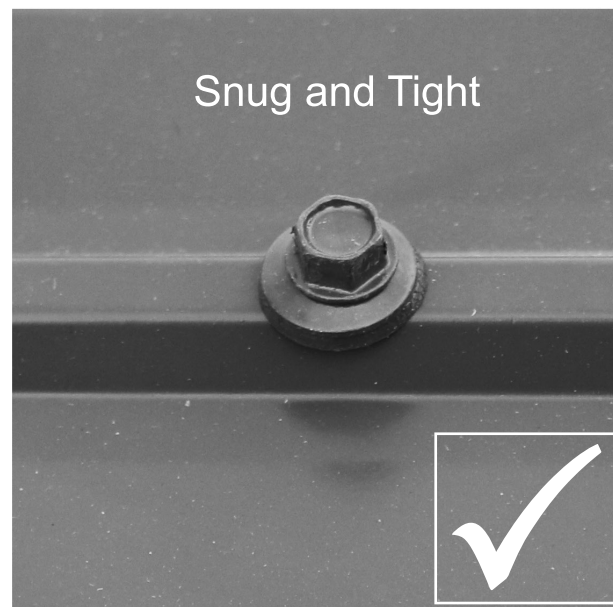
## CAUTION!

Roofing material may have sharp edges! Wear gloves!

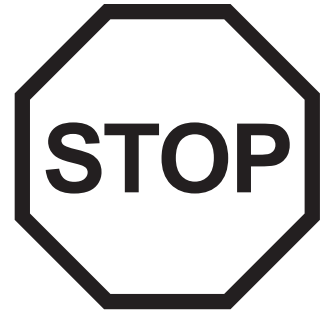
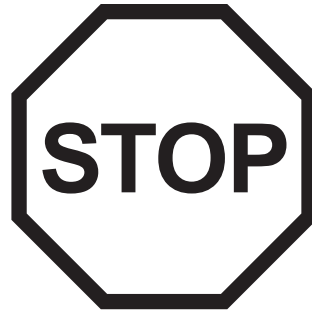
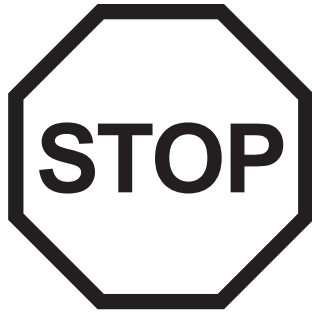
## HANDLE WITH CARE!

Place roofing material on a non-abrasive surface before assembly as it can bend, dent and scratch easily.

**WARNING – DO NOT OVER TIGHTEN ROOFING SCREWS!  
Over tightening screws will cause roofing material to crush.**



The roofing screws can easily crush the Roof Panels and Roof Edges when using a power drill. We recommend hand tightening the roofing screws so that they sit snug and tight to the roofing material.



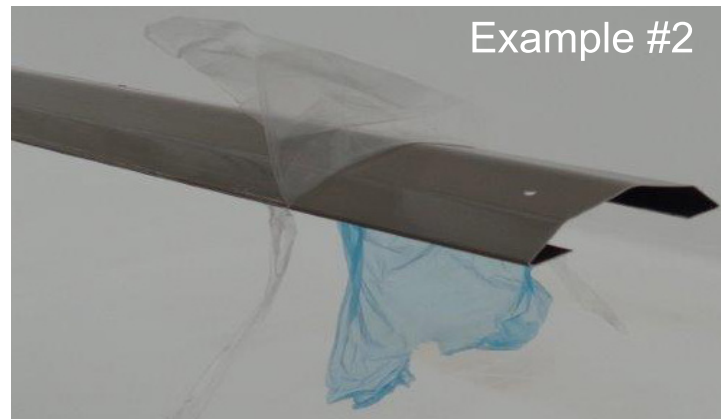
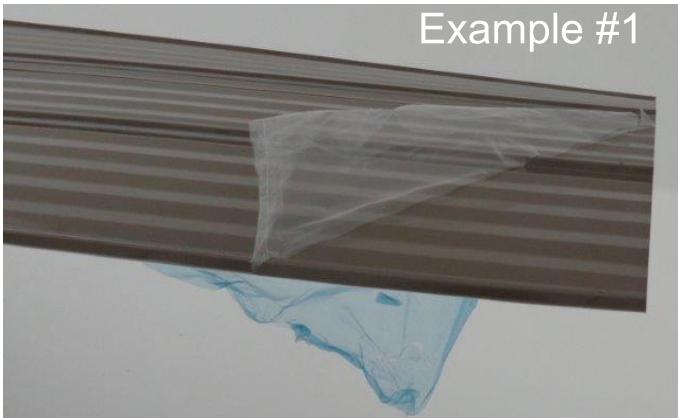
# INSTALLING ROOFING MATERIAL

---

## CAUTION!

Roofing material may have sharp edges! Wear gloves!

**BE SURE TO REMOVE ALL PLASTIC COVERING, ON BOTH SIDES OF THE ALUMINUM PANELS AND TRIM, DIRECTLY BEFORE INSTALLING EACH PIECE. *(One side is clear and the other is blue, both must be removed.)***





# Step 11: Attach Roof Panels

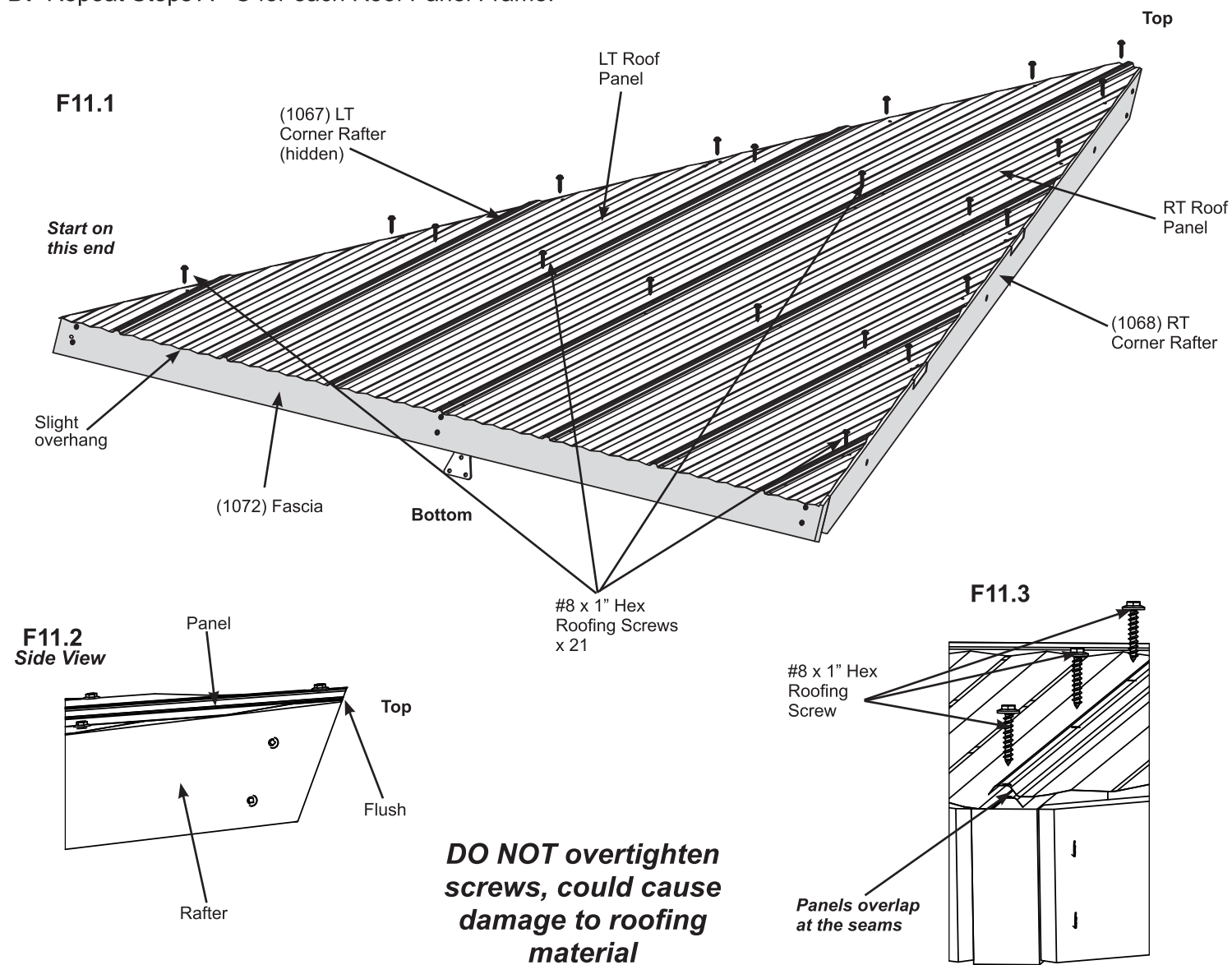
**Note:** Be sure to remove all plastic covering on both sides of the metal panels directly before installing each piece.

**A:** On one Roof Panel Frame place one LT Roof Panel flush to the top and side of (1067) LT Corner Rafter. There will be a slight overhang at the bottom. (F11.1 and F11.2)

**B:** Place one RT Roof Panel beside LT Roof Panel so the panels overlap and screw holes line up. RT Roof Panel to be flush to side of (1068) RT Corner Rafter and top of Roof Panel Frame. (F11.1, F11.2 and F11.3)

**C:** Attach all Roof Panels to Roof Panel Frame using 21 #8 x 1" Hex Roofing Screws in locations shown in F11.1. Do not install screws to the bottom. Be sure not to overtighten screws.

**D:** Repeat Steps A - C for each Roof Panel Frame.



**Roof Panel Set:**

- 8 x LT Roof Panel
- 8 x RT Roof Panel

**Hardware**

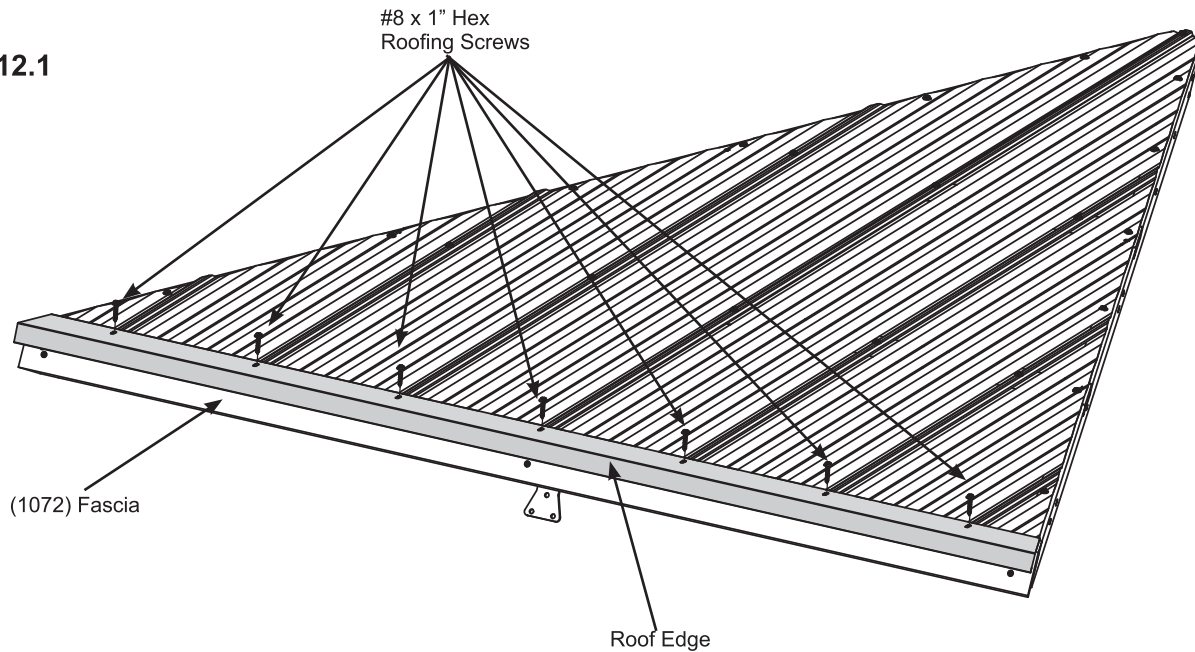
- 168 x #8 x 1" Hex Roofing Screw

## Step 12: Attach Roof Edge

**A:** Place one Roof Edge on the bottom of Roof Panel Frame. Attach Roof Edge with seven #8 x 1" Roofing Screws. (F12.1 and F12.2)

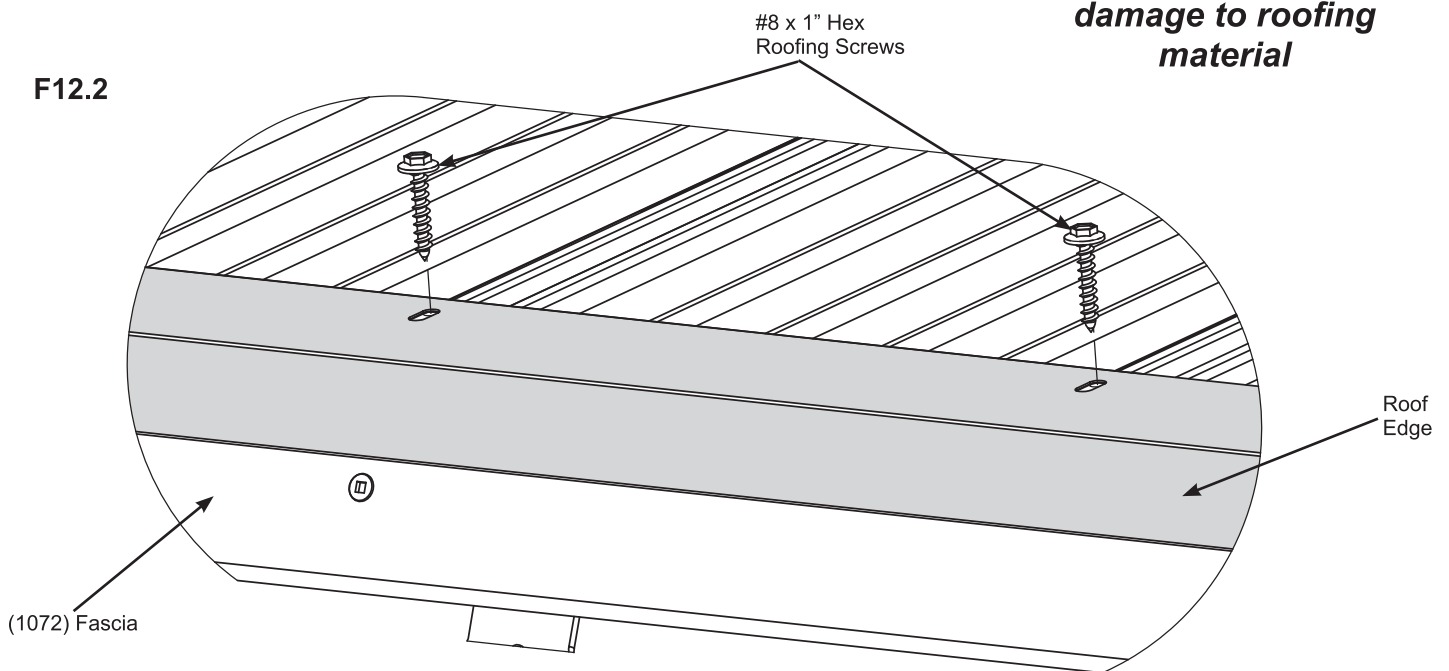
**B:** Repeat Step A for each Roof Panel Frame.

**F12.1**



**DO NOT** overtighten screws, could cause damage to roofing material

**F12.2**



**Components:**

8 x Roof Edge

**Hardware**

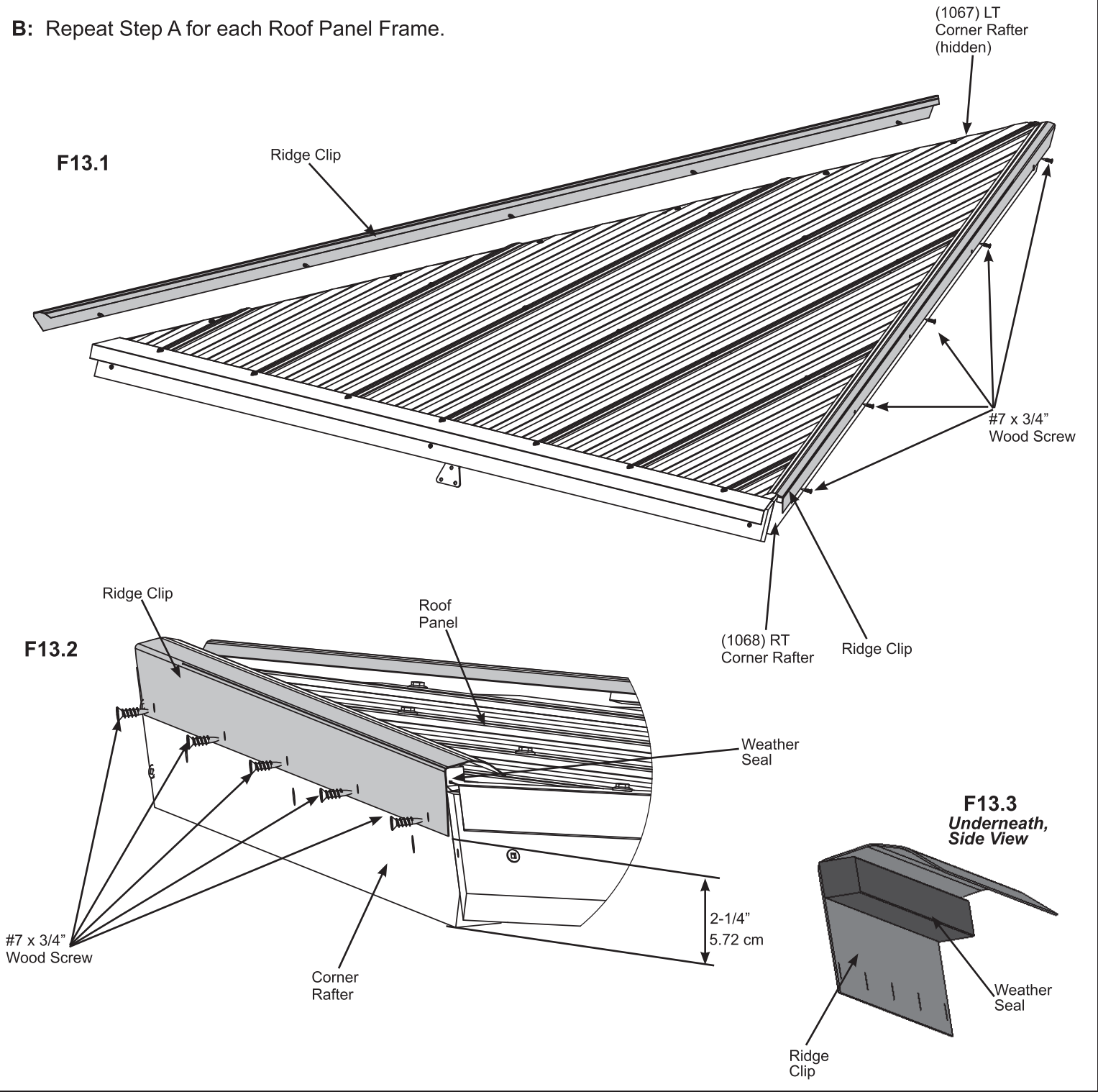
56 x #8 x 1" Roofing Screw

# Step 13: Attach Ridge Clips



**A:** Place Weather Seal on the inside of two Ridge Clips then place one Ridge Clip flush to each side of Roof Panel Frame and 2-1/4" (5.72 cm) up from the bottom of (1067) LT Corner Rafter and (1068) RT Corner Rafter, make sure not to compress Weather Seal. Attach with five #7 x 3/4" Wood Screws per Ridge Clip. Ridge Clips must cover the Roof Panels. (F13.1, F13.2 and F13.3)

**B:** Repeat Step A for each Roof Panel Frame.



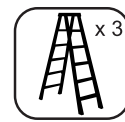
### Components

16 x Ridge Clip  
16 x Weather Seal

### Hardware

80 x #7 x 3/4" Wood Screw

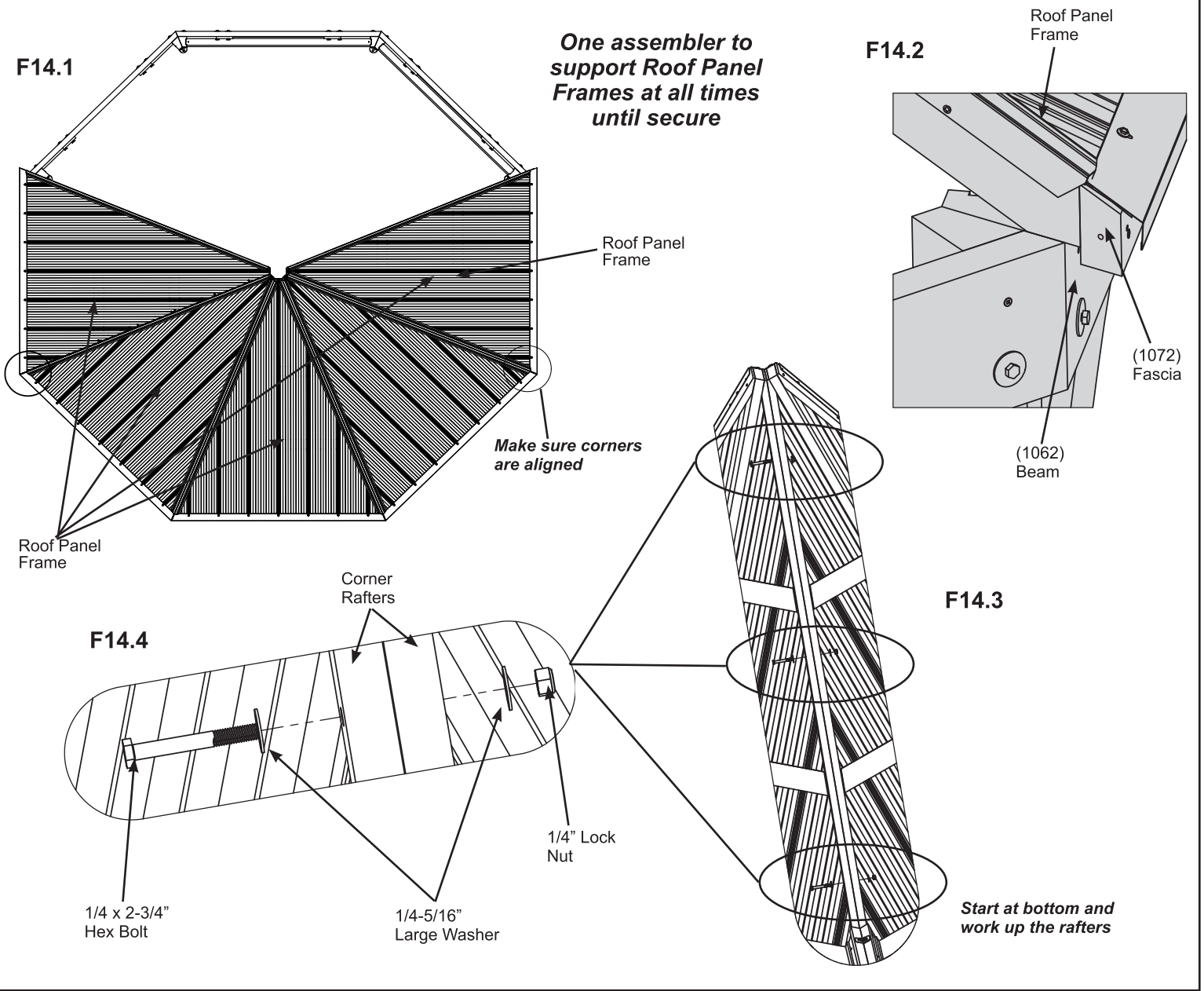
# Step 14: Attach Roof Panels to Frame Part 1



**A:** Starting to the right of the opening in the frame assembly, with four assemblers lift two Roof Panel Frames with Rafter Beam Brackets up and over frame assembly taking care not to drag roof panels on beams. **One assembler must remain on a ladder to hold Roof Panel Frames in place until secured.** (F14.1 and F14.2)

**B:** Starting at the bottom and working up, loosely connect Roof Panel Frames through the Corner Rafters with three 1/4 x 2-3/4" Hex Bolts (with two 1/4-5/16" large washers and one 1/4" lock nut). To align bolt holes helper in the centre may have to push up the centre of the panels while other helpers make sure corners are aligned. (F14.3 and 14.4)

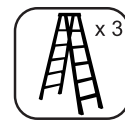
**C:** Attach three more Roof Panel Frames as done in Steps A and B.



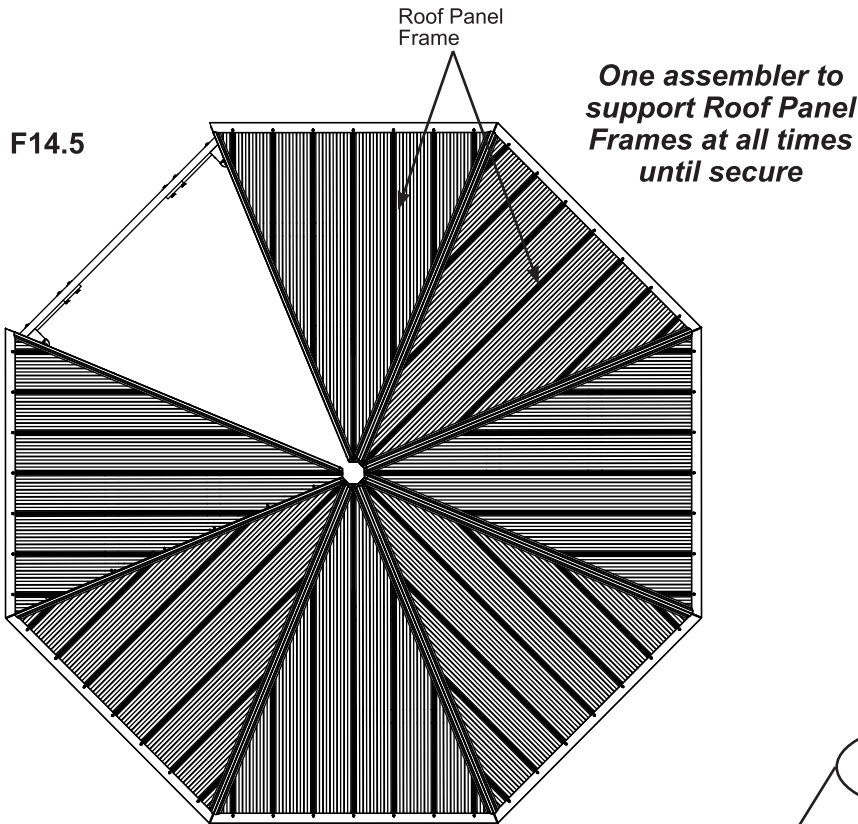
### Hardware

12 x 1/4 x 2-3/4" Hex Bolt  
(1/4-5/16" large washer x 2, 1/4" lock nut)

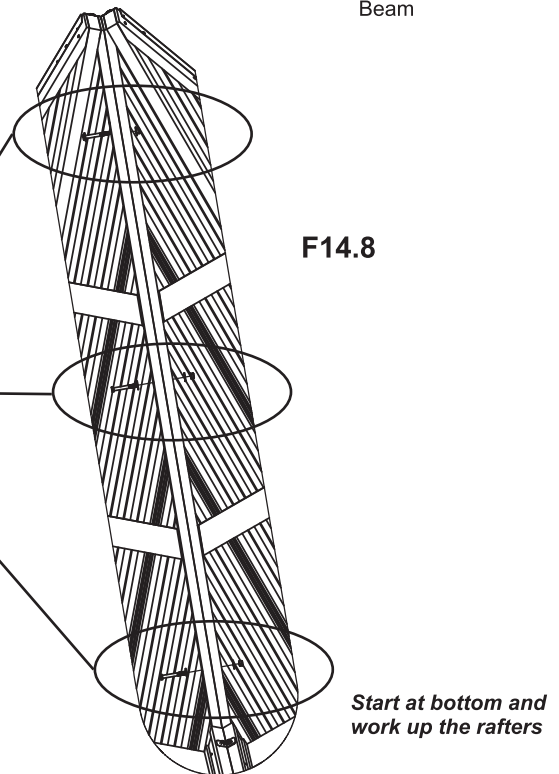
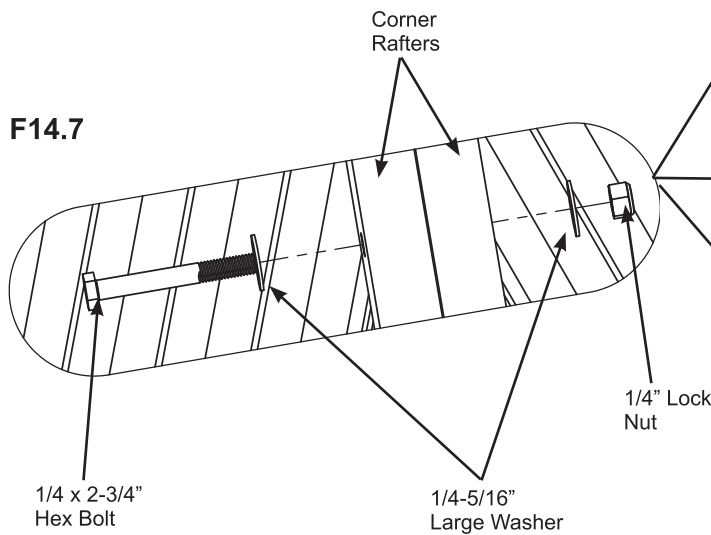
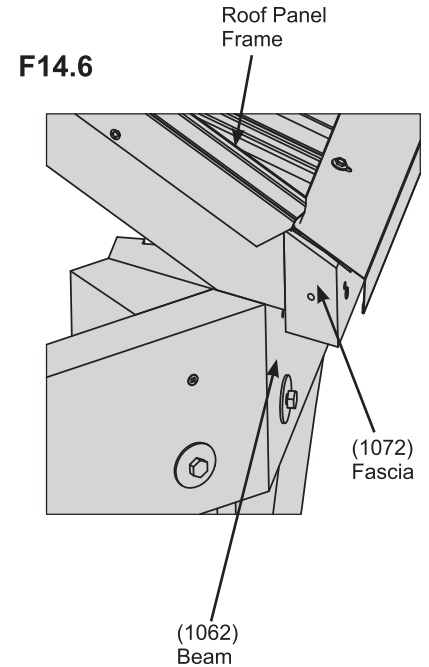
# Step 14: Attach Roof Panels to Frame Part 2



**D:** Attach two remaining Roof Panel Frames with Rafter Beam Brackets up and over frame assembly, taking care not to drag roof panels on beams, and attach with three 1/4 x 2-3/4" Hex Bolts (with two 1/4-5/16" large washers and one 1/4" lock nut) per connecting rafters. To align bolt holes helper in the centre may have to push up the centre of the panels while other helpers make sure corners are aligned. (F14.5, F14.6, F14.7 and F14.8)



*One assembler to support Roof Panel Frames at all times until secure*



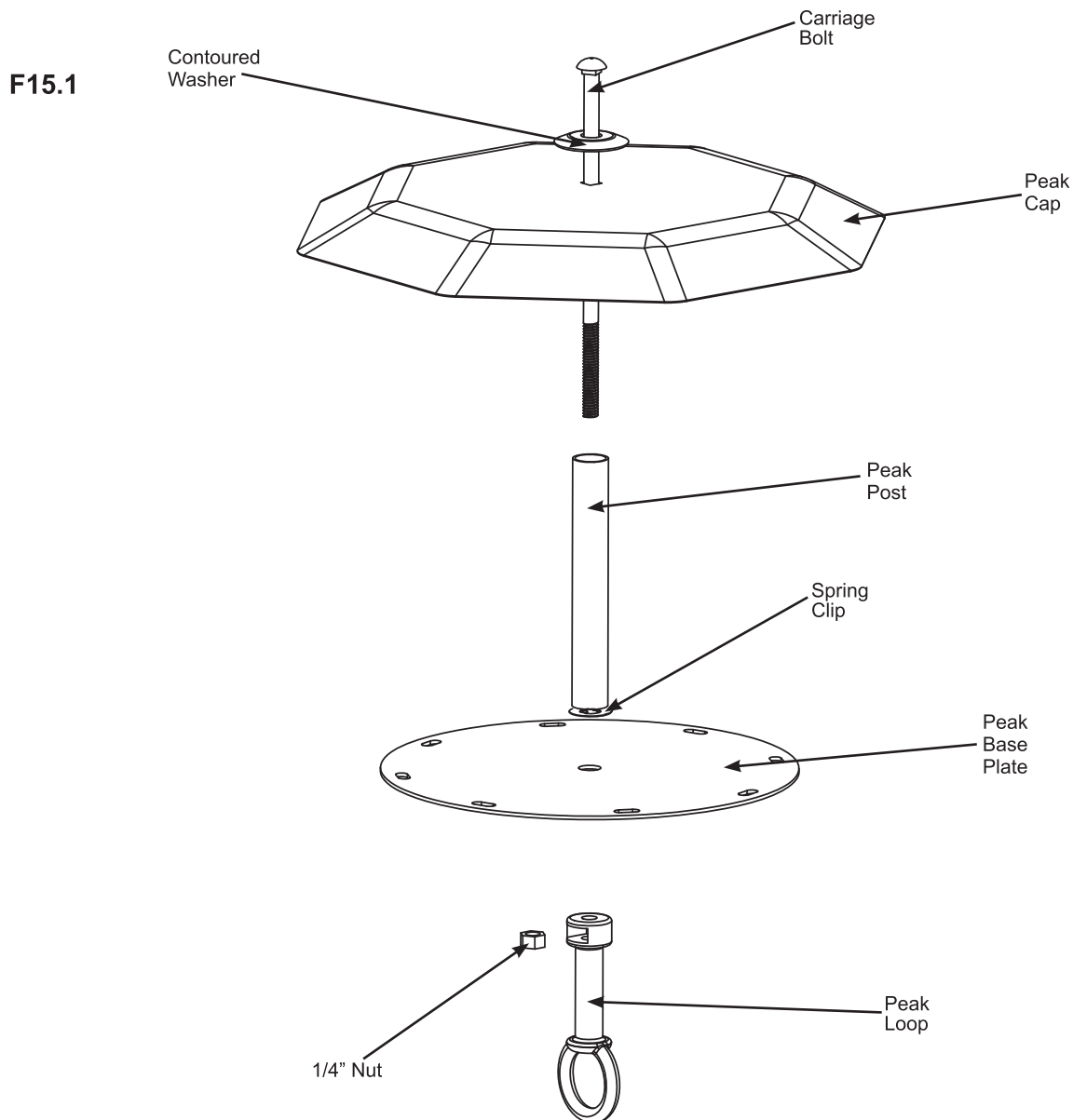
## Hardware

6 x 1/4 x 2-3/4" Hex Bolt  
(1/4-5/16" large washer x 2, 1/4" lock nut)

## Step 15: Roof Cap Assembly

**A:** Insert one Carriage Bolt with Contoured Washer through the top of Peak Cap, into Peak Post. Attach Spring Clip to Peak Post. The Spring Clip holds the assembly together. (F15.1)

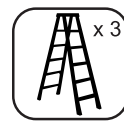
**B:** Insert one 1/4" Nut into the Peak Loop then insert Carriage Bolt into Peak Base Plate and attach Peak Loop to Carriage Bolt. Be careful nut is loose and will fall out until attached to Carriage Bolt. (F15.1)



### Components:

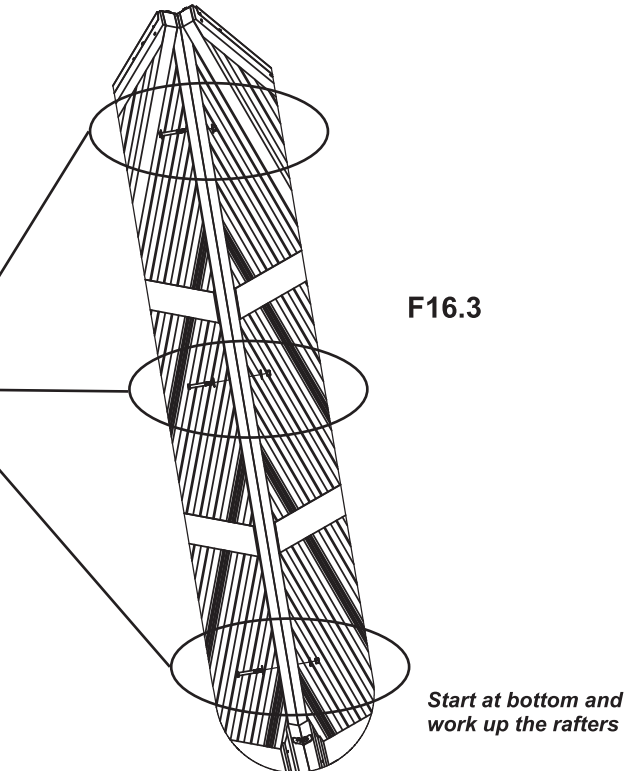
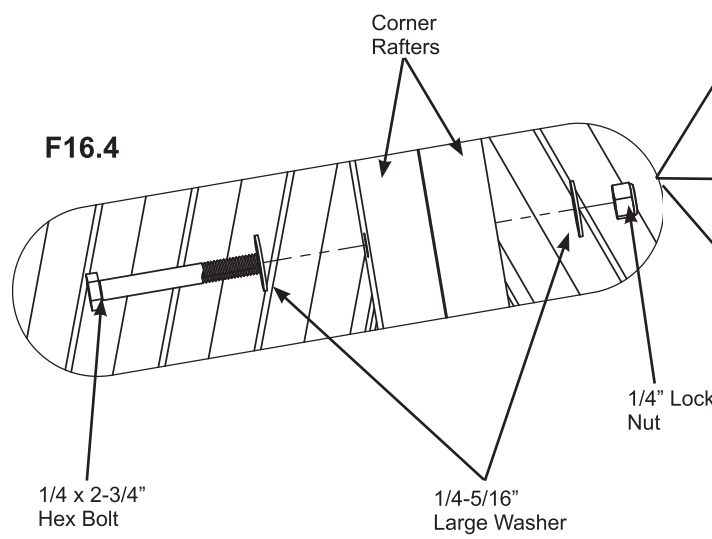
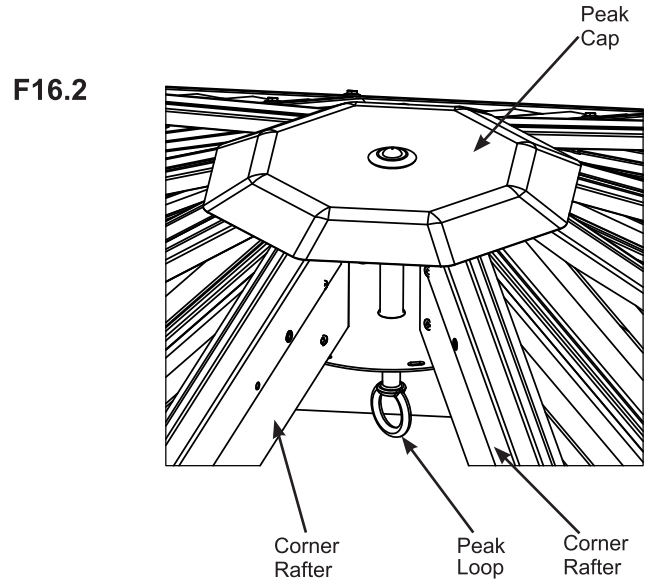
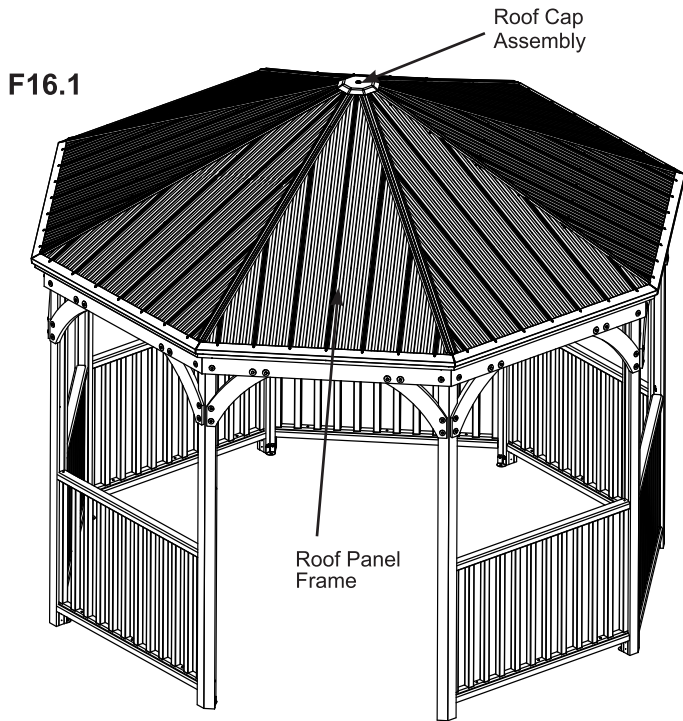
1 x Carriage Bolt	1 x Peak Loop
1 x Contoured Washer	1 x Spring Clip
1 x Peak Cap	1 x 1/4" Nut
1 x Peak Post	
1 x Peak Base Plate	

# Step 16: Attach Roof Cap and Final Roof Panel



**A:** Place Roof Cap Assembly in gap at the top of the Roof Panels. Peak Cap to be lined up with Corner Rafters. (F16.1 and F16.2)

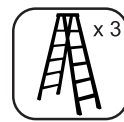
**B:** Lift last Roof Panel Frame (without Rafter Beam Brackets) over assembly taking care not to drag the panel on the beams. Panel fits under the Peak Cap, push up on Peak Loop to lift Peak Cap Assembly. The centre of the other panels may have to be pushed up to fit last panel. Starting at the bottom and working up loosely connect Roof Panels through the Corner Rafters with three 1/4 x 2-3/4" Hex Bolts (with two 1/4-5/16" large washers and one 1/4" lock nut) per side. (F16.1, F16.3 and F16.4)



### Hardware

6 x 1/4 x 2-3/4" Hex Bolt  
(1/4-5/16" large washer x 2, 1/4" lock nut)

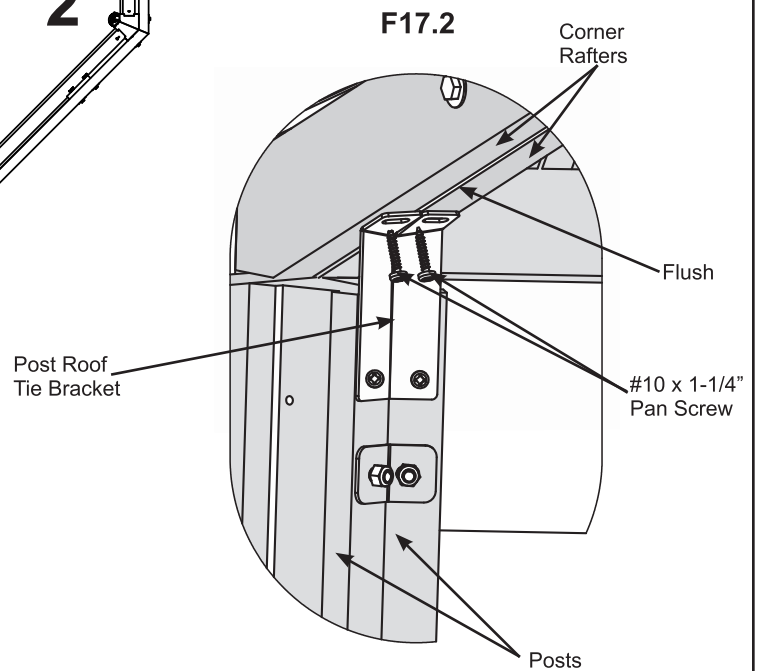
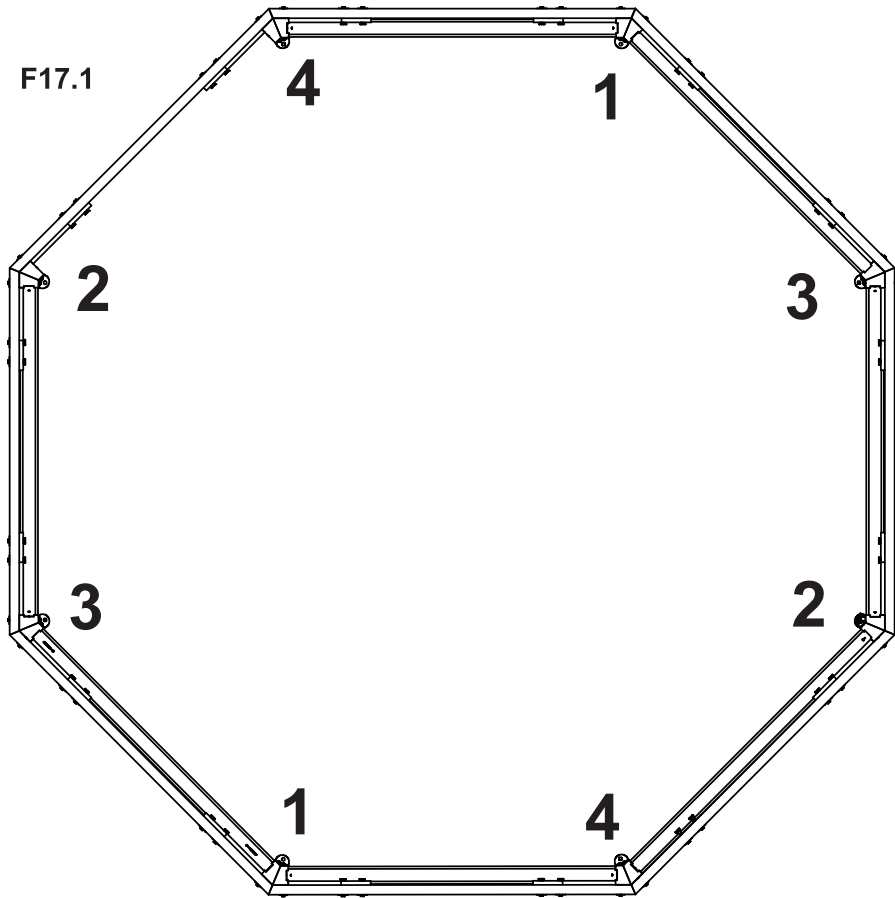
# Step 17: Tighten Rafter Bolts



**A:** Follow the sequence in F17.1 to tighten the bottom bolts. While tightening bolts have a helper push up the centre of the roof. The helper on the outside of the frame makes sure corners are aligned. (F17.1)

**B:** Tighten remaining bolts, keeping Corner Rafter flush at the bottom.

**C:** Align Roof to Post Roof Tie Bracket and fasten to Corner Rafters with two #10 x 1-1/4" Pan Screws per bracket. (F17.2)



### Hardware

16 x #10 x 1-1/4" Pan Screw

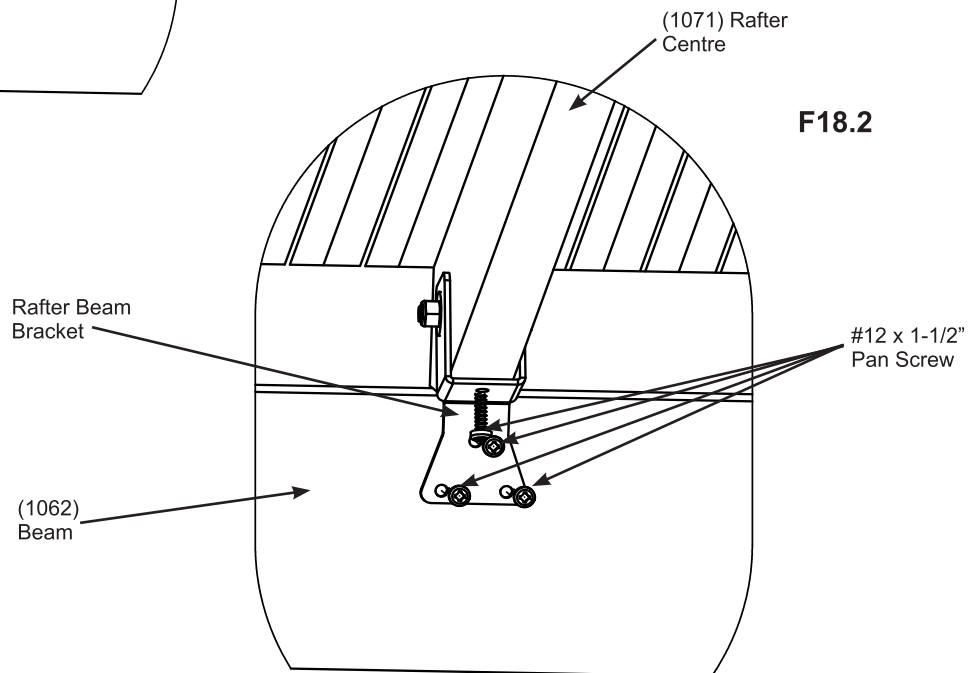
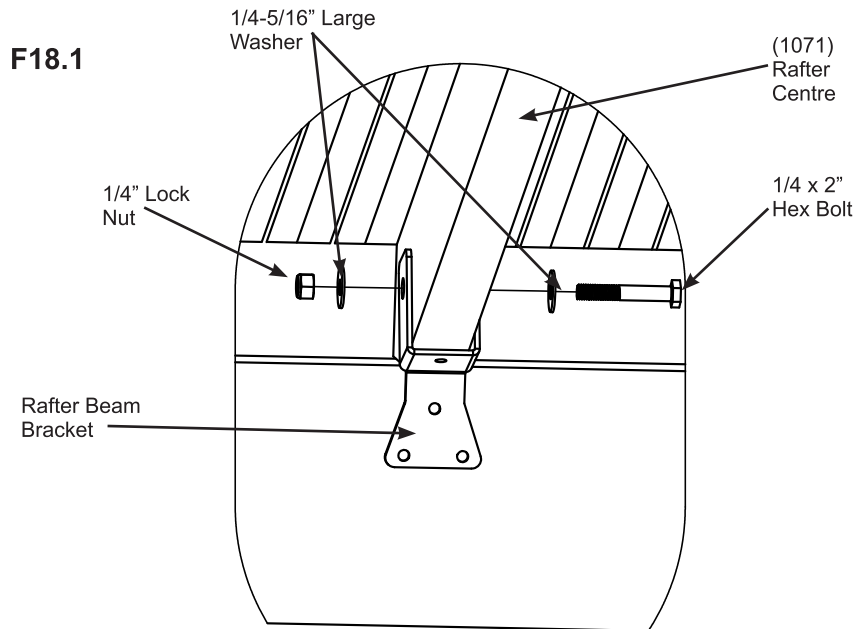


# Step 18: Attach Rafter Beam Bracket



**A:** On the final Roof Panel Frame attach one Rafter Beam Bracket on (1071) Rafter Centre with one 1/4 x 2" Hex Bolt (with two 1/4-5/16" large washers and one 1/4" lock nut). (F18.1)

**B:** Attach each Rafter Beam Bracket to (1062) Beams and (1071) Rafter Centres with four #12 x 1-1/2" Pan Screws per bracket. (F18.2)



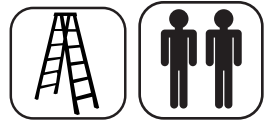
### Components:

1 x Rafter Beam Bracket

### Hardware

1 x 1/4 x 2" Hex Bolt  
(1/4-5/16" large washer x 2, 1/4" lock nut)  
32 x #12 x 1-1/2" Pan Screw

# Step 19: Secure Roof Panels

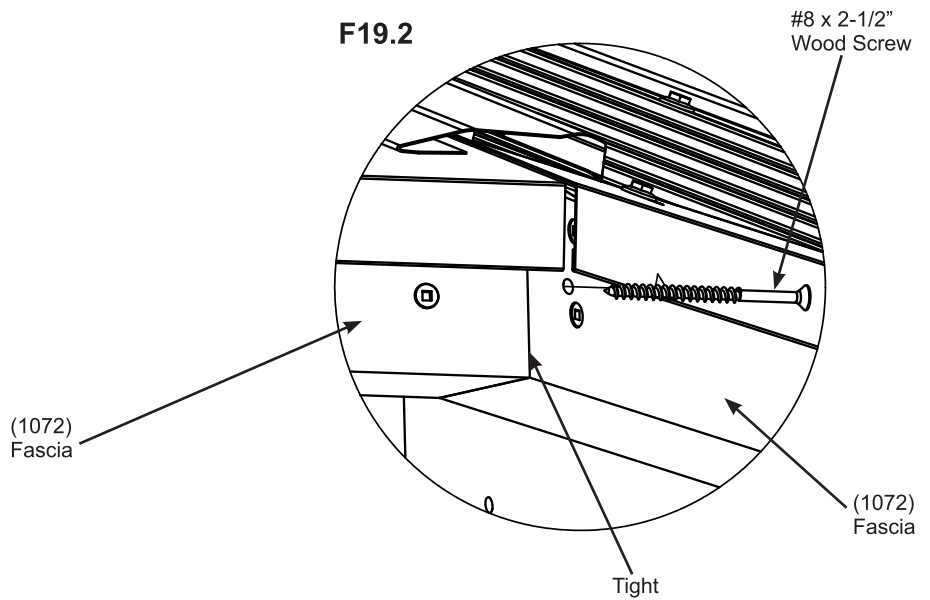


**A:** Where each Roof Panel Frame meet attach panels together through (1072) Fascia with one #8 x 2-1/2" Wood Screw per corner. A helper may need to lift the centre of Roof Panels to bring the corners tight together. (F19.1 and F19.2)

F19.1



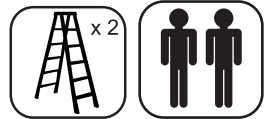
F19.2



### Hardware

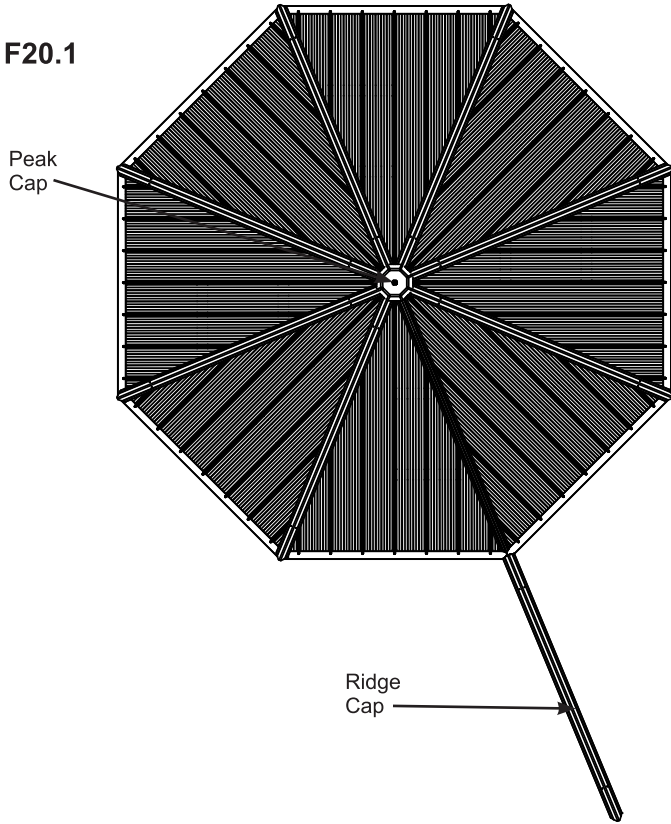
8 x #8 x 2-1/2" Wood Screw

# Step 20: Attach Ridge Caps

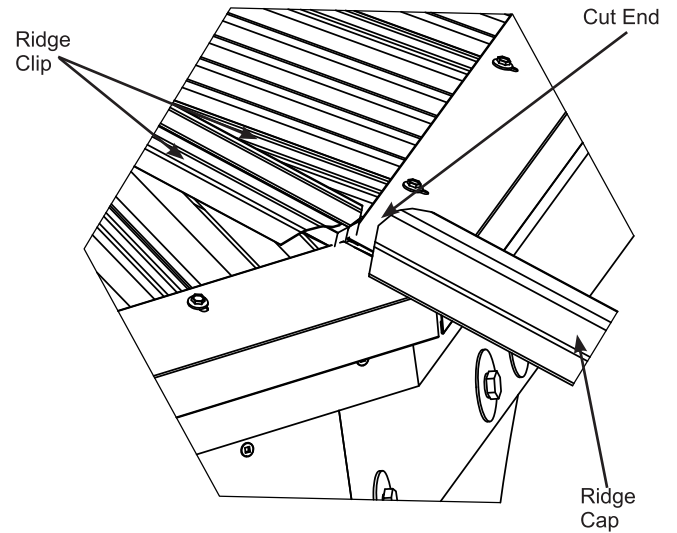


**A:** Slide each Ridge Cap over the Ridge Clips, with cut edge leading, towards the centre of the roof until they are under the Peak Cap, lifting Peak Cap by pushing up the Peak Loop so Ridge Cap fit under Peak Cap. Attach each Ridge Cap using two #8 x 3/4" Sheet Metal Screws per Ridge Cap. (F20.1, F20.2 and F20.3)

**F20.1**

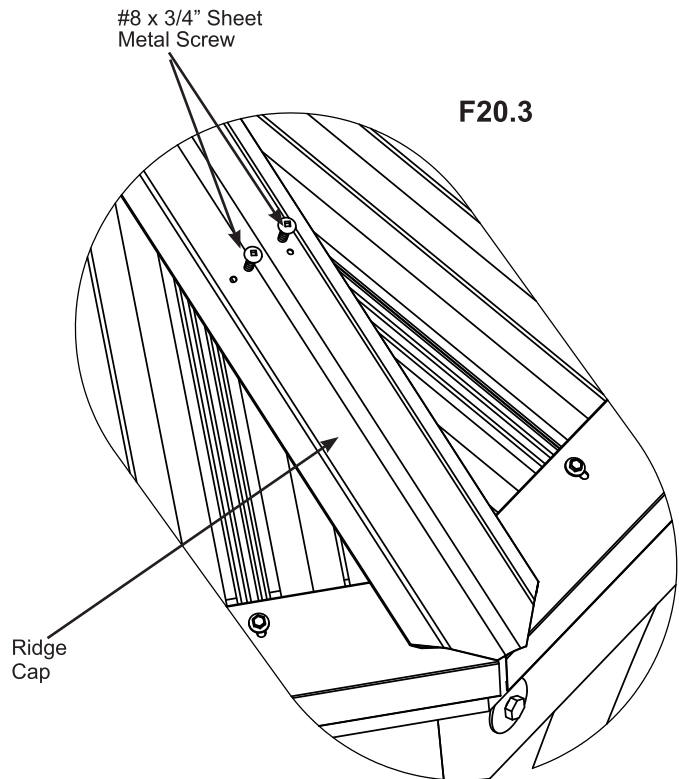


**F20.2**



#8 x 3/4" Sheet Metal Screw

**F20.3**



**Note:** To help Ridge Cap slide on easier use a lubricant such as liquid soap.

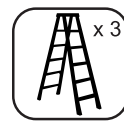
**Components:**

8 x Ridge Cap

**Hardware**

16 x #8 x 3/4" Sheet Metal Screw

# Step 21: Attach Corner Caps

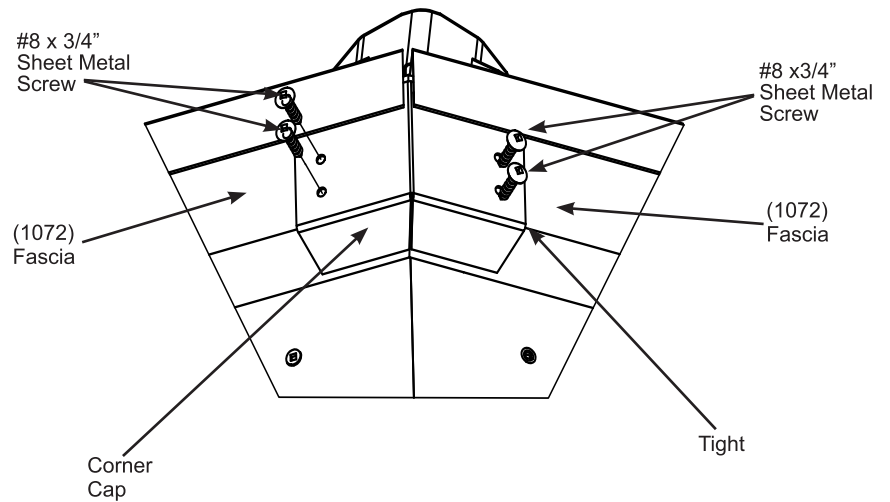


**A:** At each corner place one Corner Cap tight to (1072) Fascia, push up so the bottom is tight to the bottom of the assemblies then attach with four #8 x 3/4" Sheet Metal Screws per Corner Cap. (F21.1 and F21.2)

**F21.1**



**F21.2**



**Components:**

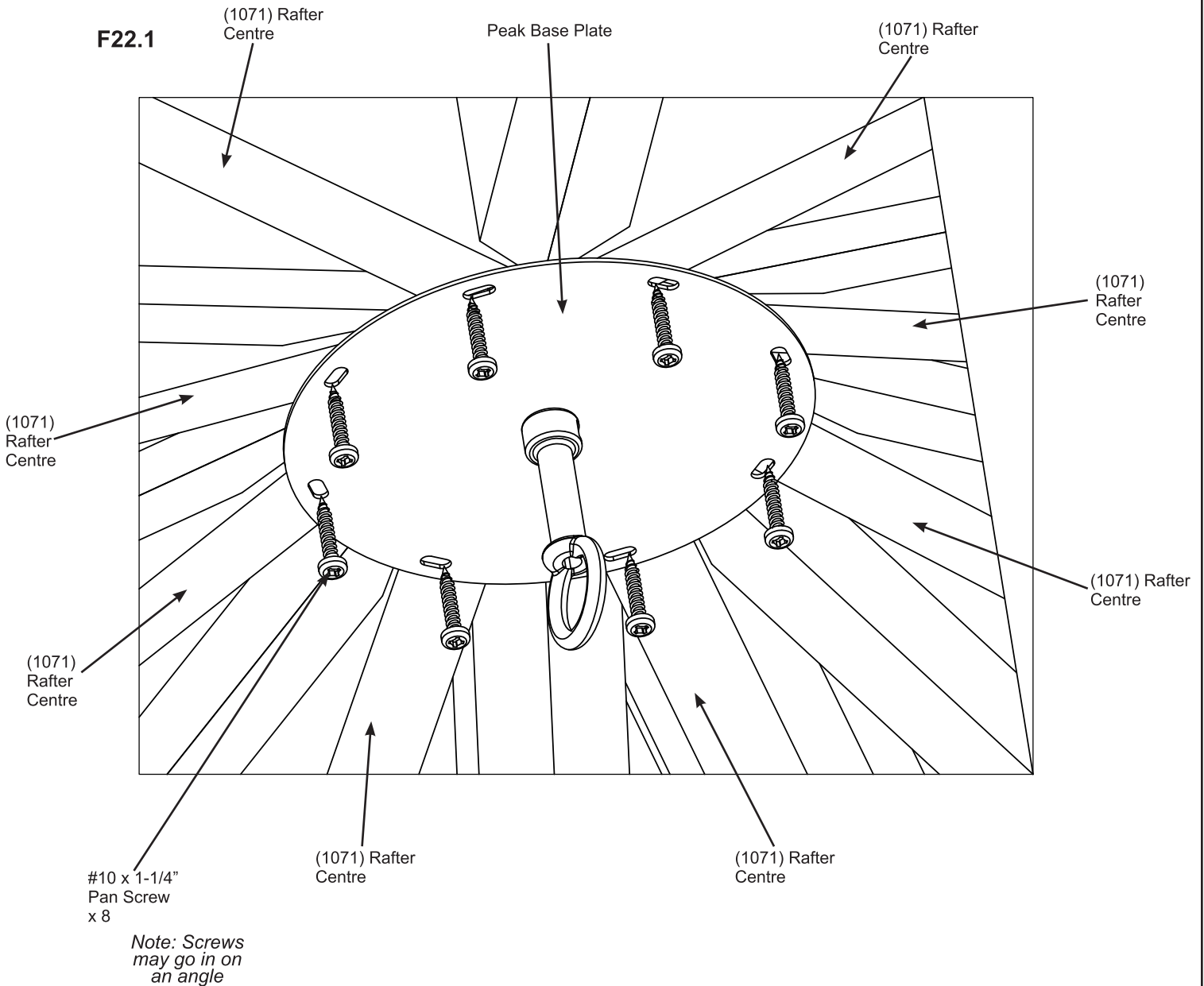
8 x Corner Cap

**Hardware**

32 x #8 x 3/4" Sheet Metal Screw

## Step 22: Secure Peak Base Plate

**A:** Attach Peak Base Plate to each (1071) Rafter Centre with eight #10 x 1-1/4" Pan Screws. To ensure Peak Base Plate is flat install screws in a criss-cross sequence. Screws may go in on an angle. (F22.1)



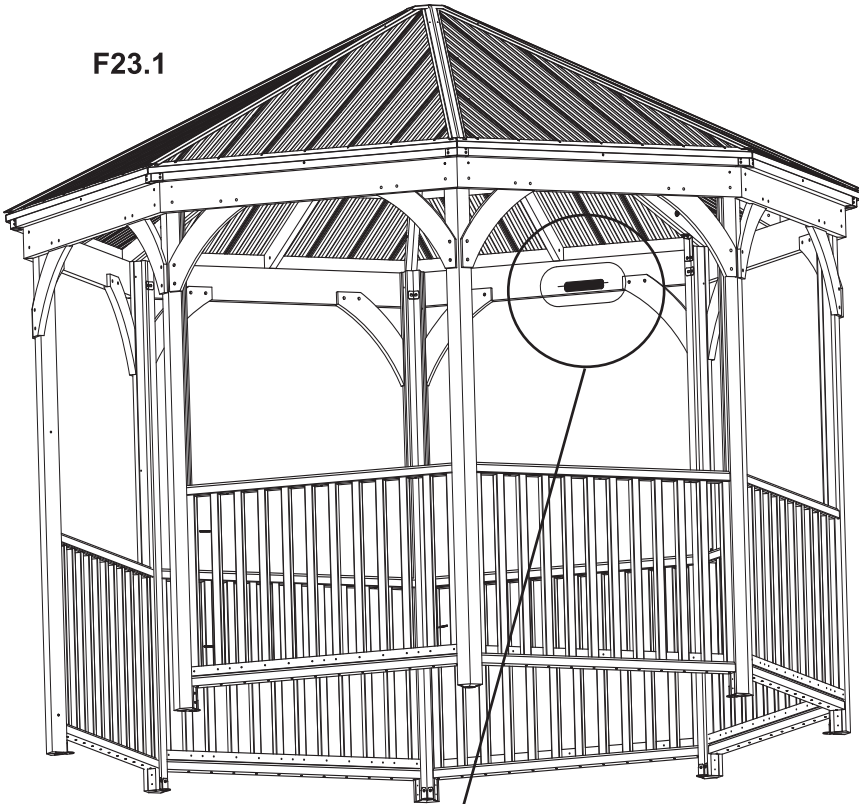
### Hardware

8 x #10 x 1-1/4" Pan Screw

## Step 23: Attach Plaque

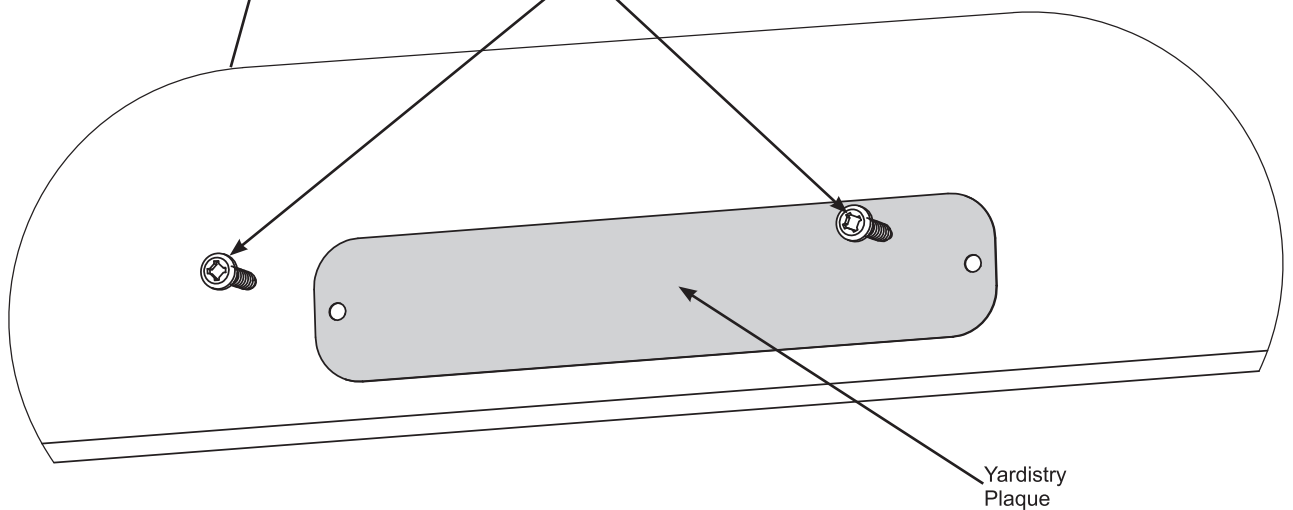
**A:** Attach Yardistry Plaque to a prominent location on your Gazebo with two #10 x 1-1/4" Pan Screws. This provides warnings concerning safety and important contact information. A tracking number is provided to allow you to get critical information or order replacement parts for this specific model. (F23.1 and F23.2)

F23.1



#10 x 1-1/4"  
Pan Screw

F23.2



Yardistry  
Plaque

**Components:**

1 x Yardistry Plaque

**Hardware**

2 x #10 x 1-1/4" Pan Screw

## NOTES

---

---

---

---

---

---

---

---

---

---

---

---

---

---

---

---

---

---

---

---

---

---

---

---

---

---

---

---

---

---







## Customer Registration Card - Tarjeta de Registro del Cliente - Carte d'inscription du client

First Name - Primer Nombre - Prénom	Initial - Inicial - Initiale	Last Name - Apellido - Nom de famille

Street - Calle - Rue	PO Box - Casilla postal - Boîte postale	Apt. No. - App.

City - Ciudad - Ville	State/Province - Estado/Provincia - État/Province

ZIP/Postal Code - Código Postal - ZIP/Code postal	Country - País - Pays

E-mail Address - Dirección de E-mail - Adresse courriel	Telephone Number - No. de Teléfono - N° de téléphone

Model Name - Nombre del Modelo - Nom du modèle	Model Number (from front cover) - Número de Modelo (de la portada) - N° du modèle (page de couverture)

Date of Purchase - Fecha de Compra - Date d'achat (mm/dd/yyyy) (mm/dd/aaaa) (mm/jj/aaaa)	Place of Purchase - Comprado a - Lieu d'achat

Comments - Comentarios - Commentaires:

### Mail To - Enviar por Correo a - Envoyer par courrier à:

Yardistry  
375 Sligo Road West, PO Box 10  
Mount Forest, Ontario, Canada, N0G 2L0  
Attention: Consumer Relations  
Atención a: Servicio de Atención al Cliente  
À l'attention de: Service à la clientèle

### Online Registration - Registro online - Enregistrement en ligne:

[www.yardistrystructures.com/warranty](http://www.yardistrystructures.com/warranty)

Yardistry would like to say "Thank you" for your time and feedback.  
Yardistry quiere "Agradecerle" por su tiempo y su opinión.  
Yardistry aimerait vous remercier d'avoir pris le temps de répondre au sondage.