

# MERIDIAN OCTAGON GAZEBO

Installation and Operating Instructions – YM11924

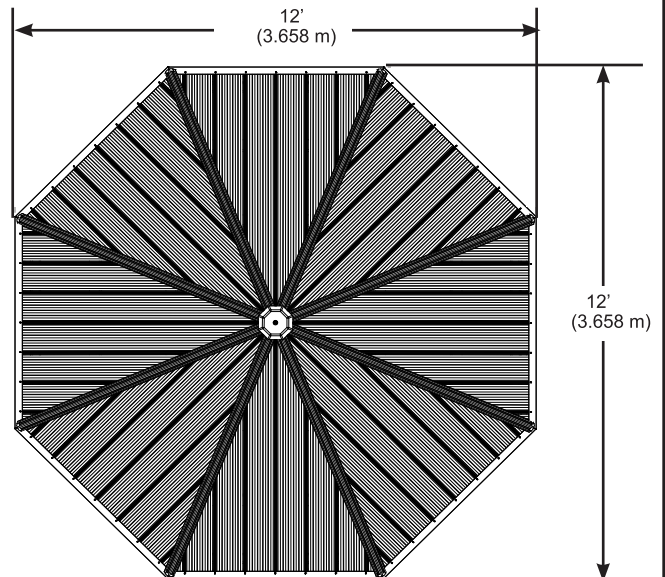


IMPORTANT, RETAIN FOR FUTURE REFERENCE: READ CAREFULLY

Revised 04-26-2021

  
**YARDISTRY**<sup>®</sup>

Yardistry – North America  
Toll Free Customer Support:  
1.888.509.4382  
info@yardistrystructures.com  
www.yardistrystructures.com



Height: 9' 11-5/16" (3.03 m)

## **Important Safety Notice!**

Yardistry components are intended for privacy, decorative and ornamental use only.

### **Product is NOT INTENDED for the following:**

- A safety barrier to prevent unsupervised access to pools, hot tubs, spas or ponds.
- As load bearing support for a building, structure, heavy objects or swings.
- Used in structures that trap wind, rain or snow that would create extra load on the product.

### **Accumulated snow must be removed from roof.**

**DO NOT** climb or walk on roof for any reason.

**Permanent structures may require a building permit.** As the purchaser and or installer of this product you are advised to consult local planning, zoning and building inspection departments for guidance on applicable building codes and/or zoning requirements.

**Wood is NOT flame retardant and will burn.** Grills, fire pits and chimineas are a fire hazard if placed too close to a Yardistry structure. Consult user's manual of the grill, fire pit or chimnea for safe distances from combustible materials.

**Wear gloves to avoid injury** from possible sharp edges of individual elements before assembly.

**During installation, follow all safety warnings provided with your tools and use OSHA approved safety glasses.** Some structures may require two or more people to install safely.

**Check for underground utilities before digging or driving stakes into the ground!**

**It is important during assembly to closely follow the instructions,** complete the assembly on a solid level surface and that you follow the instruction to square up, level and anchor the structure, this will reduce the gap at wood connections during assembly.

## **General Information**

**General Information:** Wood components are manufactured with Cedar (C. Lanceolata) which is protected with factory applied water-based stain. Knots, small checks (cracks) and weathering are naturally occurring and do not affect the strength of the product. Annual application of a water-based water repellent sealant or stain is important and will help reduce weathering and checks.

**[www.yardistrystructures.com](http://www.yardistrystructures.com)**

Questions?

Call toll free or write us at:

1 (888) 509-4382

[info@yardistrystructures.com](mailto:info@yardistrystructures.com)

Patents Pending

# Limited Warranty

Yardistry warrants that this product is free from defect in materials and workmanship for a period of one (1) year from the original date of purchase. In addition, for any product with lumber, all lumber is warranted for five (5) years against rot and decay. This warranty applies to the original owner and registrant and is non-transferable.

Regular maintenance is required to assure the integrity of your product and is a requirement of the warranty. This warranty does not cover any inspection costs.

**This Limited Warranty does not cover:**

- Labour for replacement of any defective item(s);
- Incidental or consequential damages;
- Cosmetic defects which do not affect performance or integrity;
- Vandalism; improper use or installation; acts of nature, including but not limited to wind, storms, hail, floods, excessive water exposure;
- Minor twisting, warping, checking or any other natural occurring properties of wood that do not affect performance or integrity.

Yardistry products have been designed for safety and quality. Any modifications made to the original product could damage the structural integrity of the product leading to failure and possible injury. Yardistry cannot assume any responsibility for modified products. Furthermore, modification voids any and all warranties.

**This product is warranted for RESIDENTIAL USE ONLY. Yardistry disclaims all other representations and warranties of any kind, express or implied.**

*This Warranty gives you specific legal rights. You may have other rights as well which vary from state to state or province to province. This warranty excludes all consequential damages, however, some states/provinces do not allow the limitation or exclusion of consequential damages, and therefore this limitation may not apply to you.*

# Instructions for Proper Maintenance

Your Yardistry structure is designed and constructed of quality materials. As with all outdoor products it will weather and wear. To maximize the enjoyment, safety and life of your structure it is important that you, the owner, properly maintain it.

## HARDWARE:

- Check metal parts for rust. If found, sand and repaint using a non-lead paint complying with 16 CFR 1303.
- Inspect and tighten all hardware after completion of assembly; after first month of use; and then annually. Do not over-tighten as to cause crushing and splintering of wood.
- Check for sharp edges or protruding screw threads, add washers if required.

## WOOD PARTS:

- Applying a water repellent or stain (water-based) on a yearly basis is important maintenance to maintain maximum life and performance of the product.
- Check all wood members for deterioration, structural damage and splintering. Sand down splinters and replace deteriorated wood members. As with all wood, some checking and small cracks in grain is normal
- Some gapping may occur at some wood connections.

## Assembly Guides

### Tools Required:

- |                              |                  |                      |
|------------------------------|------------------|----------------------|
| • Tape Measure               | • 8' Step Ladder | • 6' Step Ladder x 2 |
| • Carpenters Level           | • Safety Glasses | • Square             |
| • Standard or Cordless Drill | • Adult Helper   | • Ratchet            |
| • 7/16", 1/2" Wrench         | • Safety Gloves  |                      |
| • 7/16", 1/2" Socket         | • Hard Hat       |                      |

### Symbols:

Throughout these instructions symbols are provided in the top, right-hand corner of the page.



- Use Help, where this is shown, 2, 3 or 4 people are required to safely complete this step. To avoid injury or damage to the assembly make sure to get some help.



- Use a measuring tape to assure proper location



- Pre-drill a pilot hole before fastening screw or lag to prevent splitting of wood.



- Check that assembly is square before tightening bolts

**If you dispose of your Yardistry structure:** Please disassemble and dispose of your unit so that it does not create any unreasonable hazards at the time it is discarded. Be sure to follow your local waste ordinances.



## Assembly Tips

Following are some helpful tips to make the assembly process smooth and efficient.

### PRE-ASSEMBLIES:

(i.e. Post and Beam Assemblies, Roof Rafter Assembly, etc)

- Work on a raised, solid and flat surface such as, a table or saw horse.
- Keep all connections flush where shown in the instructions.
- When assembling the beams keep parts flat, straight and snug when connecting.

### METAL PARTS:

- Roofing material may have sharp edges, wear safety gloves.
- Remove all plastic covering, on both sides of the metal panels, directly before installing each piece.
- Place roofing material on a non-abrasive surface before and after assembly as it can bend, dent and scratch easily.
- The roofing screws can easily crush the roof panels and roof edges when using a power drill. We recommend hand tightening the roofing screws so they sit snug and tight to the roofing material.

# Permanent Installation Examples

**Note: It is critically important you start with square, solid and level footings, concrete pad or deck to attach your Pavilion.**

We supply Post Mounts with this structure which gives you the flexibility to permanently install your structure to a pre-existing or new wood or concrete surface.

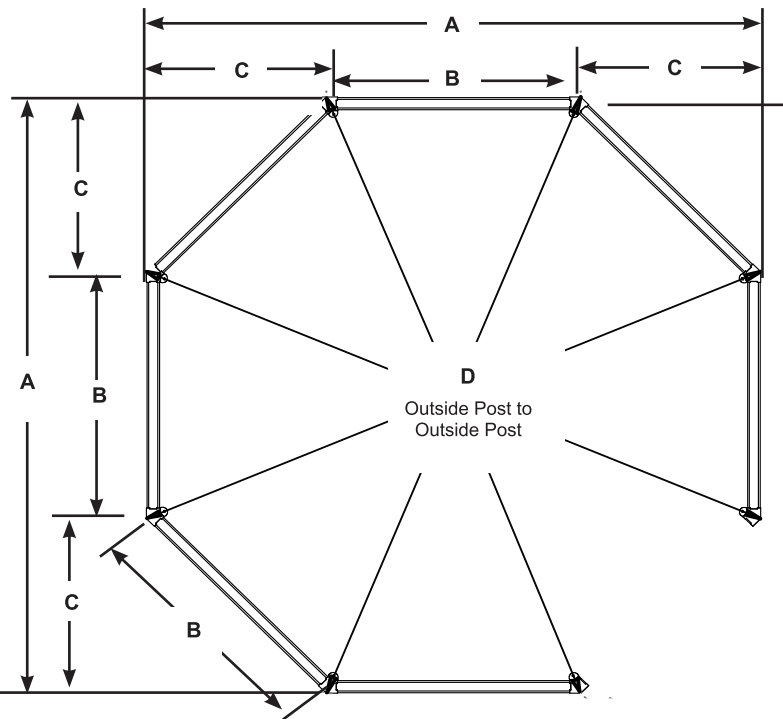
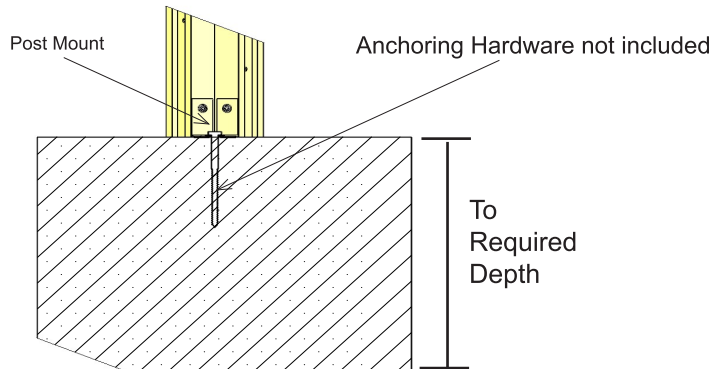
- The hardware to attach the Post Mount to the structure is included.
- The hardware to mount the structure permanently will need to be purchased separately at your local hardware store.

If you are mounting to concrete footers see below for the correct locations and placement. Please double check for possibility of any underground utilities such as gas, telephone, cable or sprinkler lines.

Following are some examples of how to mount the structure to wood or concrete surfaces.

Refer to your local building and city codes, ordinances, neighbourhood covenants, or height restrictions regarding this type of structure for guidance on acceptable installation requirements.

## Concrete Footer

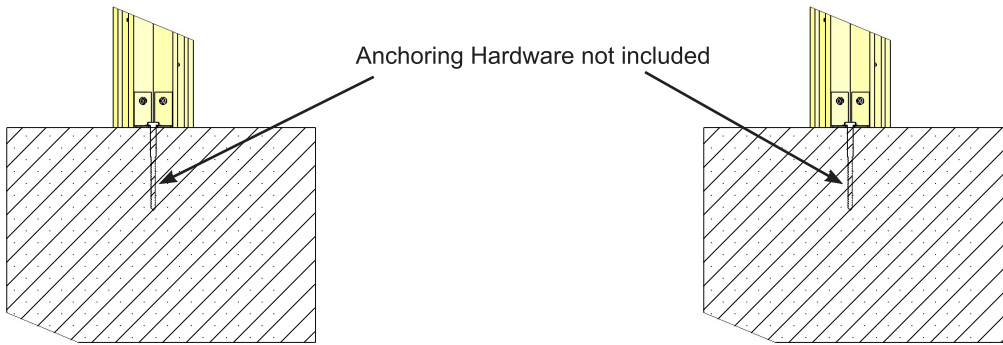


## Layout Dimensions for Octagon Gazebo

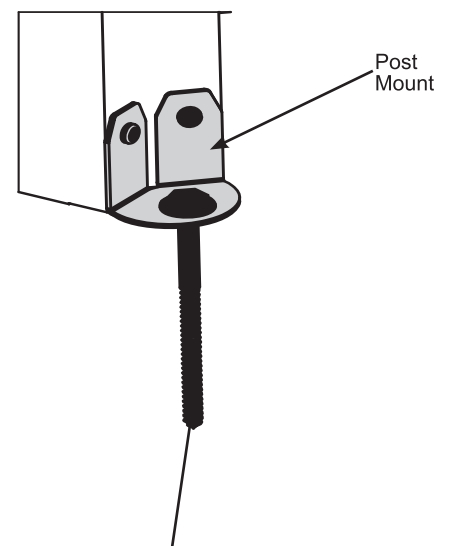
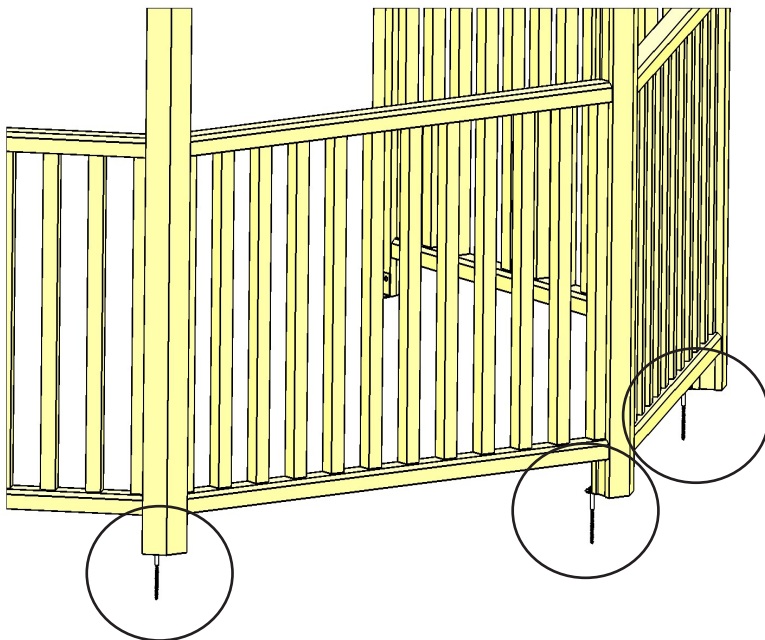
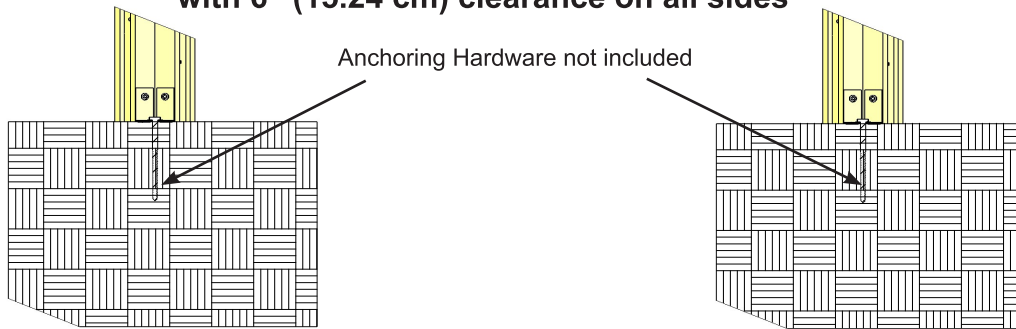
A	11' 3" (3.429 m)
B	4' 7-15/16" (1.421 m)
C	3' 3-9/16" (1.005 m)
D	12' 2-5/16" (3.716 m)

## Permanent Installation Examples cont.

**Concrete Patio [min. 12' 3" x 12' 3" (3.734 m x 3.734 m)]  
with 6" (15.24 cm) clearance on all sides**



**Wood Deck [min. 12' 3" x 12' 3" (3.734 m x 3.734 m)]  
with 6" (15.24 cm) clearance on all sides**

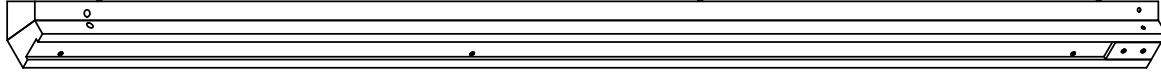


Anchoring Hardware (not included)

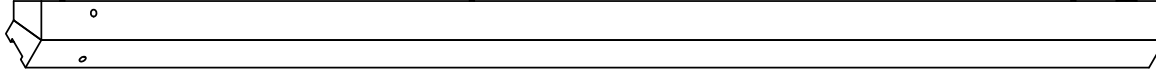
*Post Mounts have a 1/2" diameter hole for anchoring hardware.*

**Part Identification** ( Dimensions are approximate and are shown to assist in the identification of parts for assembly. Actual dimensions may be smaller or larger. )

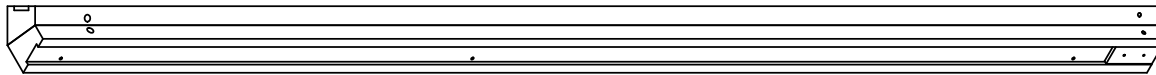
**1pc. (1059) - Post Left 2184.4mm (86")** Y70131-1059



**1pc. (1061) - Post Right 2184.4mm (86")** Y70131-1061



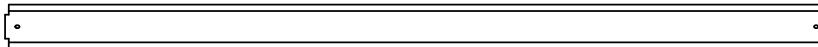
**6pc. (1056) - Post Main 2184.4mm (86")** Y70131-1056



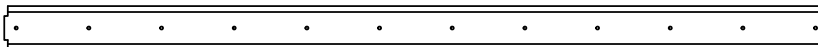
**8pc. (1062) - Beam 1451.9mm (57-1/8")** Y50131-1062



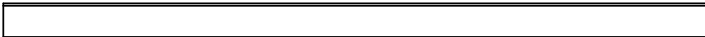
**7pc. (1064) - Top Rail 1307.1mm (51-1/2")** Y50131-1064



**7pc. (1063) - Bot Rail 1307.1mm (51-1/2")** Y50131-1063



**84pc. (1066) - Spindle 747.8mm (29-7/16")** Y50131-1066



**7pc. (1065) - Filler Insert 1307.1mm (51-1/2")** Y50131-1065



**8pc. (1074) - Short Right Gusset 533.4mm (21")**



Y50131-1074

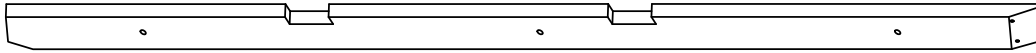
**8pc. (1073) - Short Left Gusset 533.4mm (21")**



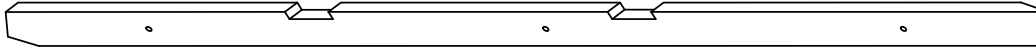
Y50131-1073

# Part Identification ( Dimensions are approximate and are shown to assist in the identification of parts for assembly. Actual dimensions may be smaller or larger. )

**8pc. (1067) - LT Corner Rafter 2032mm (80") Y50131-1067**



**8pc. (1068) - RT Corner Rafter 2032mm (80") Y50131-1068**



**8pc. (1071) - Rafter Centre 1902mm (74-7/8") Y50131-1071**



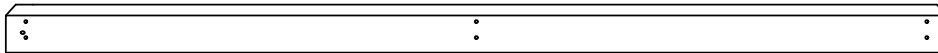
**8pc. (1069) - Top Strap 633.9mm (25") Y50131-1069**



**8pc. (1070) - Bot Strap 1076.6mm (42-3/8") Y50131-1070**

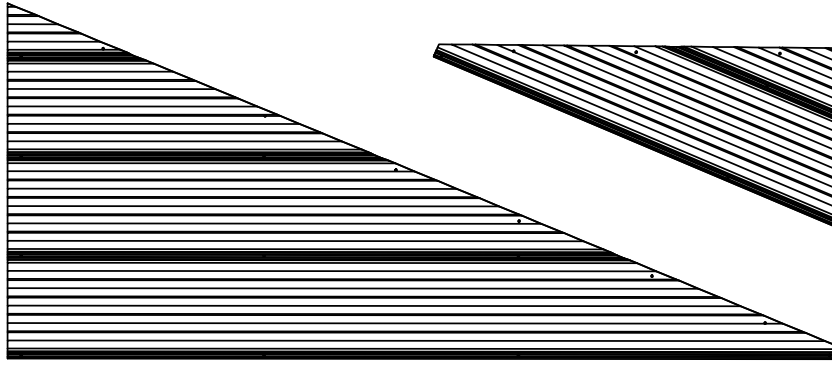


**8pc. (1072) - Fascia 1494mm (58-13/16") Y50131-1072**

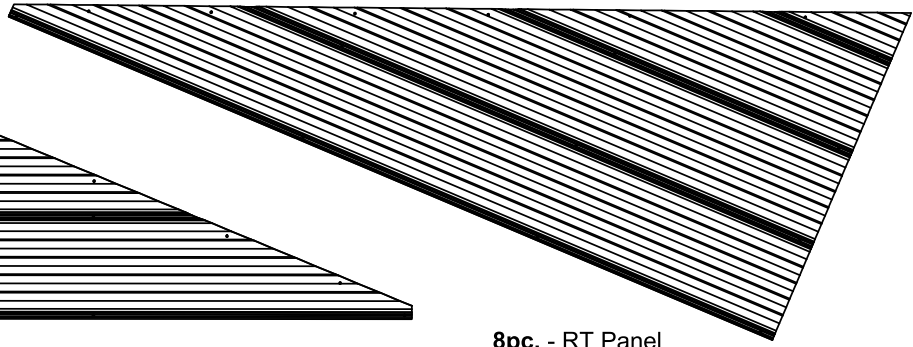




# Hardware Identification ( Dimensions are approximate and are shown to assist in the identification of parts for assembly. Actual dimensions may be smaller or larger. )



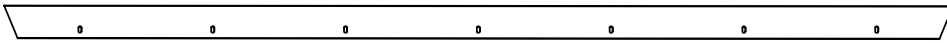
**8pc. - LT Panel**  
(Y01033-357)



**8pc. - RT Panel**  
(Y01033-356)

**1pc. - Octagon Gazebo Roofing Set**  
(Y70833-356)

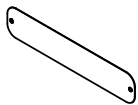
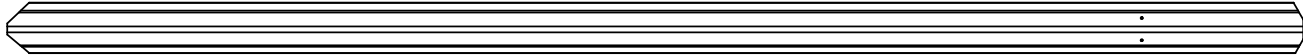
**8pc. Roof Edge - (Y01033-359)**



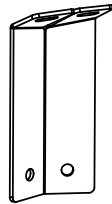
**16pc. Ridge Clip 78 - (Y00433-358)**



**8pc. Ridge Cap 79 - (Y00433-361)**



**1pc. - Gazebo ID Plaque**  
(Y70800-104)

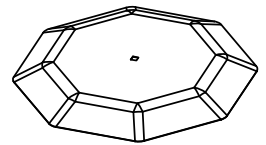


**1pc. - Post Roof Tie Bracket Set (8Pk)**  
(Y70829-353)

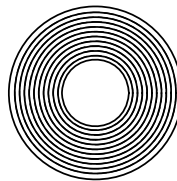


**1pc. - 135° Angle Bracket Set (8Pk)**  
(Y70818-389)

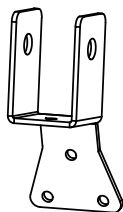
**1pc. Peak Cap**  
(Y01033-351)



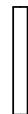
**1pc. - Post Mount Set (8Pk)**  
(Y70829-355)



**1pc. - Roof Clip Weather Seal (16Pk)**  
(Y70818-360)



**1pc. - Rafter/Beam Bracket Set (8Pk)**  
(Y70829-281)



**1pc. Peak Post**  
(Y01000-094)

**1pc. Carriage Bolt**  
(Y07490-260)



**1pc. Contour Washer**  
(Y05918-211)



**1pc. Base Plate**  
(Y01029-352)



**1pc. Spring Clip**  
(Y09490-001)



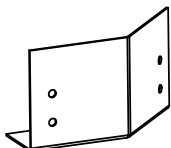
**1pc. 1/4" Nut**  
(Y08490-200)



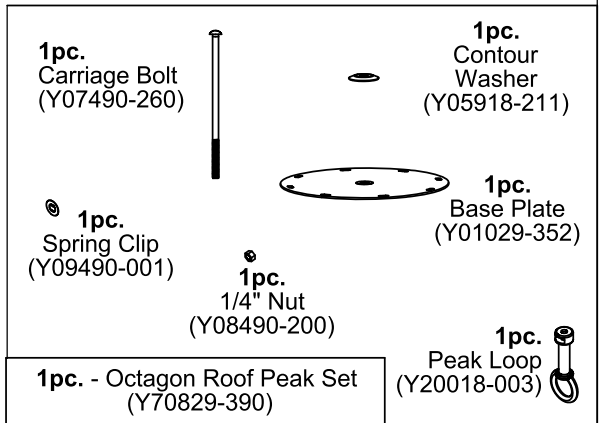
**1pc. Peak Loop**  
(Y20018-003)



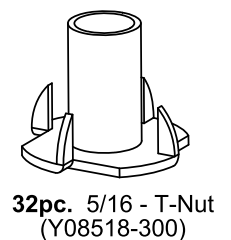
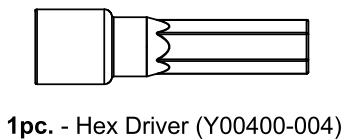
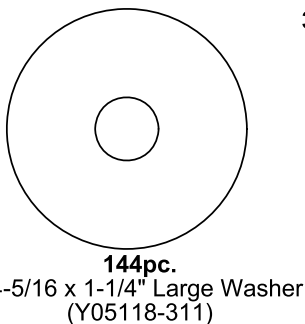
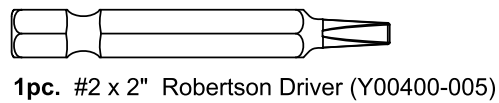
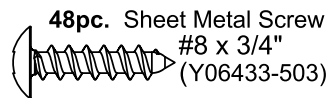
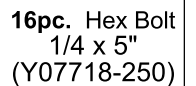
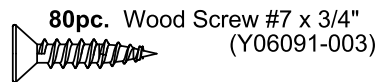
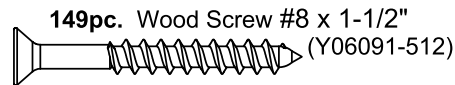
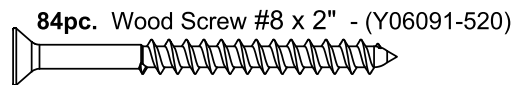
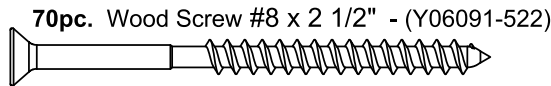
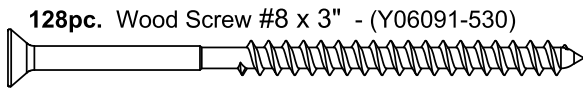
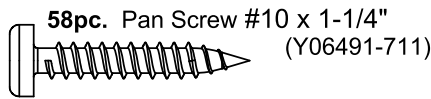
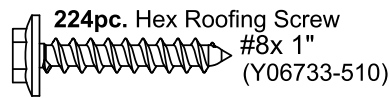
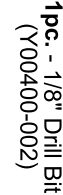
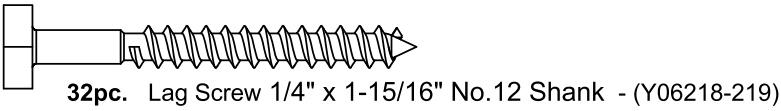
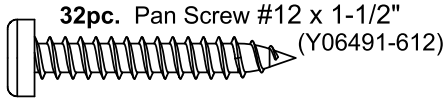
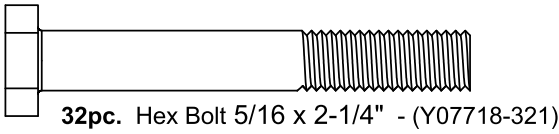
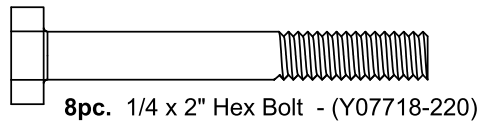
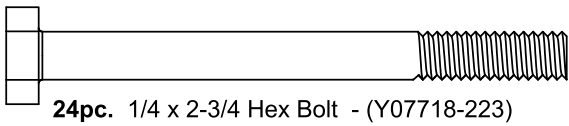
**1pc. - Corner Cap Set (8Pk)**  
(Y70833-354)



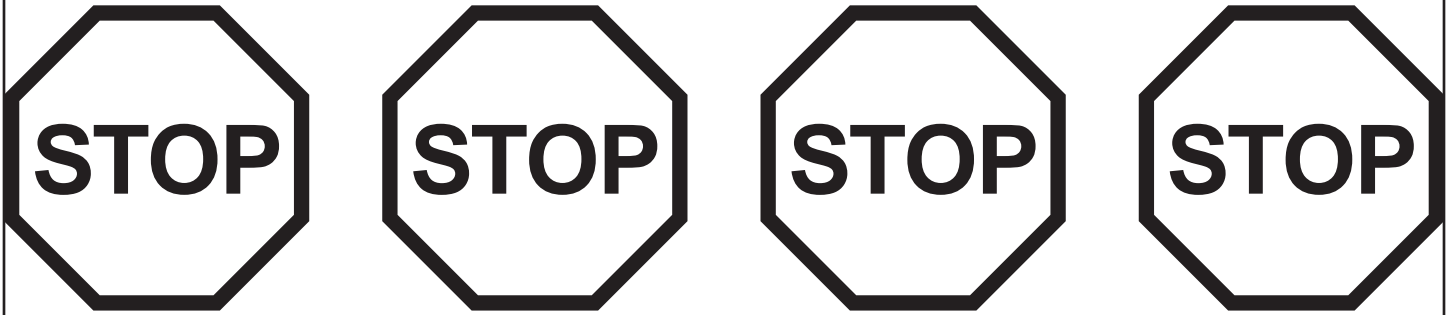
**1pc. - Octagon Roof Peak Set**  
(Y70829-390)



# Hardware Identification ( Dimensions are approximate and are shown to assist in the identification of parts for assembly. Actual dimensions may be smaller or larger. )



# Step 1: Inventory Parts - Read This Before Starting Assembly



- A.** This is the time for you to inventory all your hardware, wood and accessories, referencing the parts identification sheets. This will assist you with your assembly.
- Each step indicates which bolts and/or screws you will need for assembly, as well as any flat washers, lock washers, t-nuts or lock nuts.
- B.** If there are any missing or damaged pieces or you need assistance with assembly please contact the consumer relations department directly. Call us before going back to the store.

**1-888-509-4382**

**support@yardistrystructures.com**

- C.** Read the assembly manual completely, paying special attention to ANSI warnings; notes; and safety/maintenance information on pages 1 - 4.
- Follow the instructions in order.
  - This structure is designed to be assembled and installed ideally by four people, DO NOT attempt to install alone.
  - Consider the slope of elevation where you plan to install the structure. Also, check for gas, telephone, other utilities or sprinkler line locations prior to excavating any holes.
- D.** Before you discard your cartons fill out the form below.
- The carton I.D. stamp is located on the end of each carton.
  - Please retain this information for future reference. You will need this information if you contact the Consumer Relations Department.

**PRODUCT NUMBER: YM11924**

CARTON I.D. STAMP: \_ \_ \_ \_ \_ (Box 1)

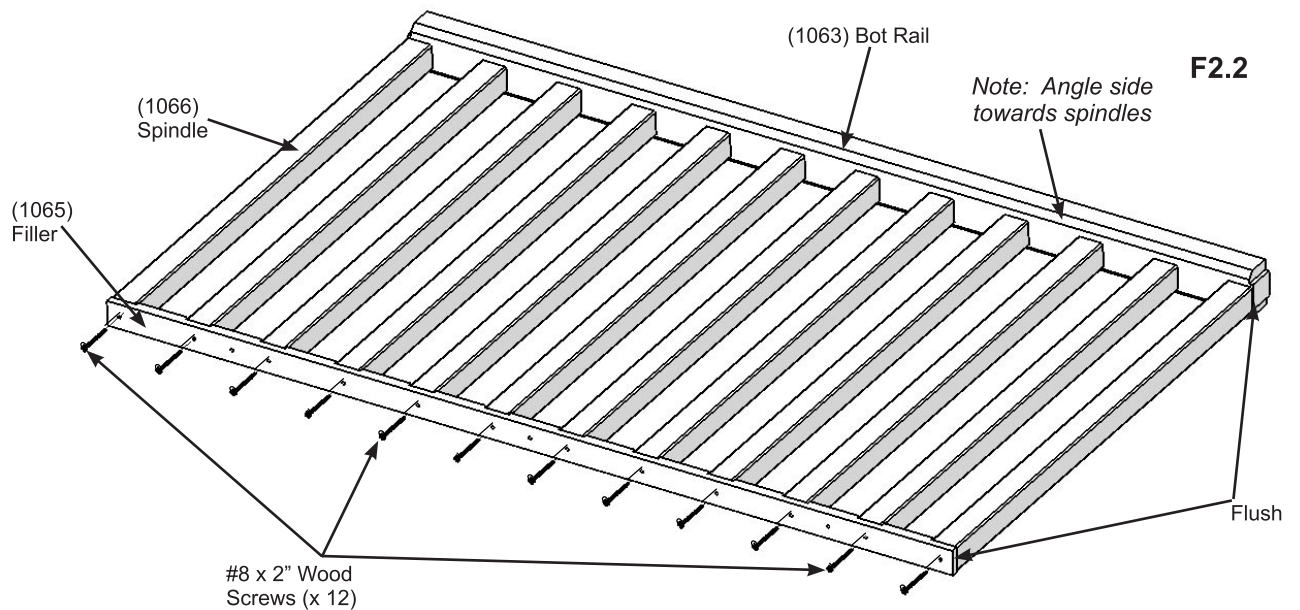
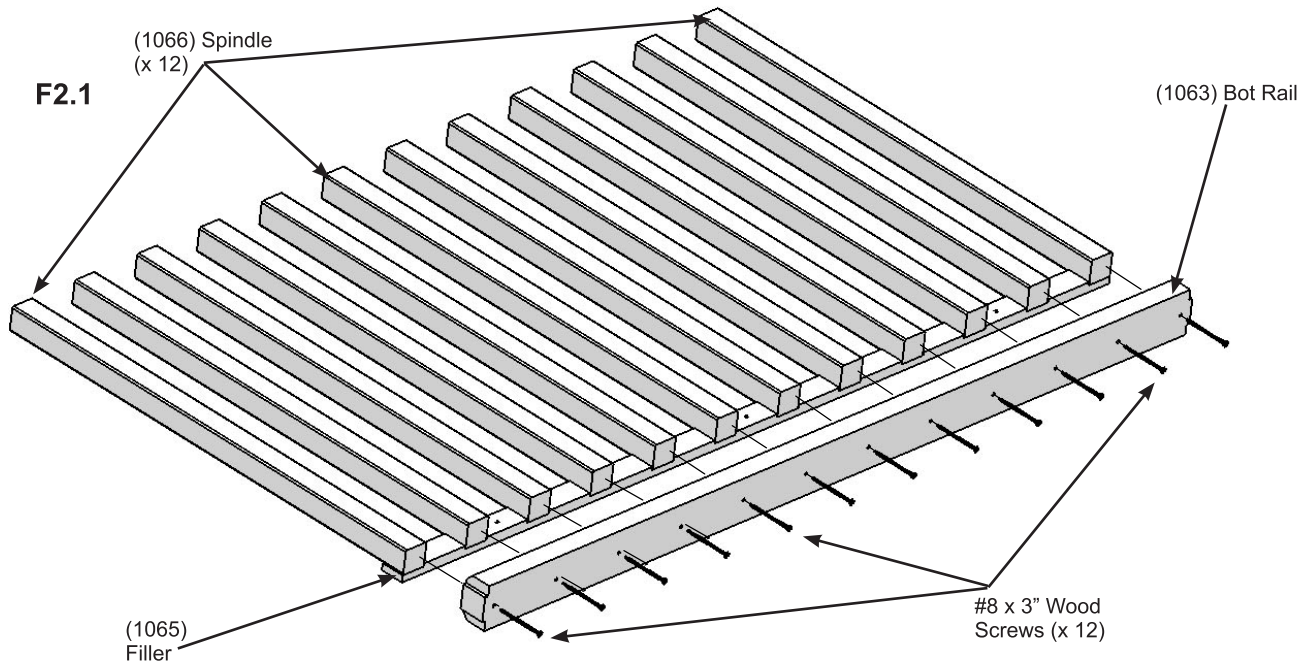
CARTON I.D. STAMP: \_ \_ \_ \_ \_ (Box 2)

CARTON I.D. STAMP: \_ \_ \_ \_ \_ (Box 3)

## Step 2: Rail Assemblies Part 1

**A:** Place 12 (1066) Spindles into the slots of (1065) Filler. This will provide proper spacing. Place (1063) Bot Rail against bottom of spindles, flush to the outside edges of the end spindles. Centre spindles over holes in (1063) Bot Rail. Attach with one #8 x 3" Wood Screw per spindle. (F2.1 and F2.2)

**B:** Remove (1065) Filler from bottom of (1066) Spindles and place at top of spindles, flush to outside edges of end spindles and attach with one #8 x 2" Wood Screw per spindle. (F2.2)



### Wood Parts

7 x (1063) Bot Rail  
7 x (1065) Filler  
84 x (1066) Spindle

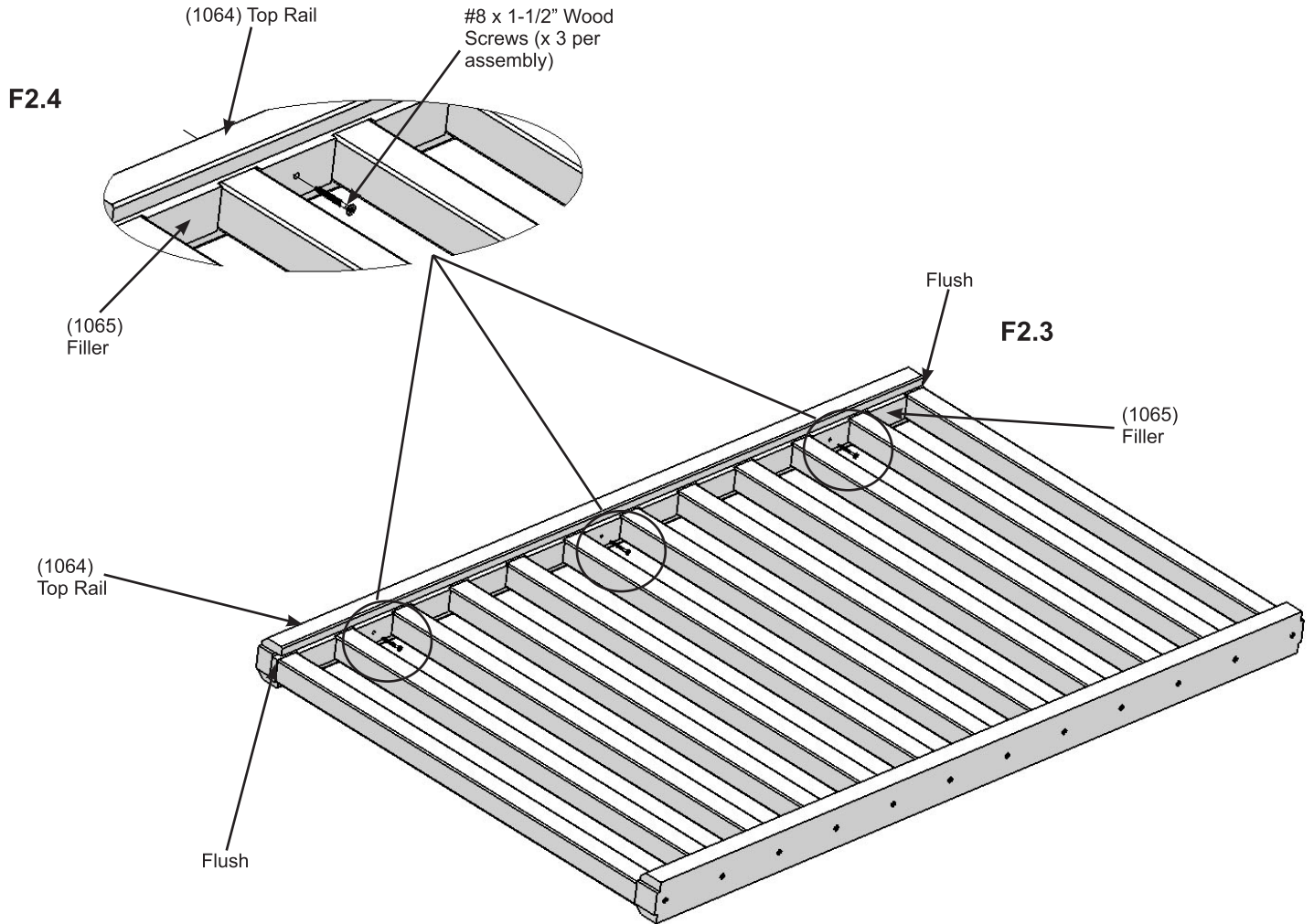
### Hardware

84 x #8 x 2" Wood Screw  
84 x #8 x 3" Wood Screw

## Step 2: Rail Assemblies Part 2

**C:** On top of (1065) Filler and flush to each end, place (1064) Top Rail. Attach (1065) Filler to (1064) Top Rail with three #8 x 1-1/2" Wood Screws as shown in F2.3 and F2.4.

**D:** Repeat Steps A - C six more times to create seven Rail Assemblies.



### Wood Parts

7 x (1064) Top Rail

### Hardware

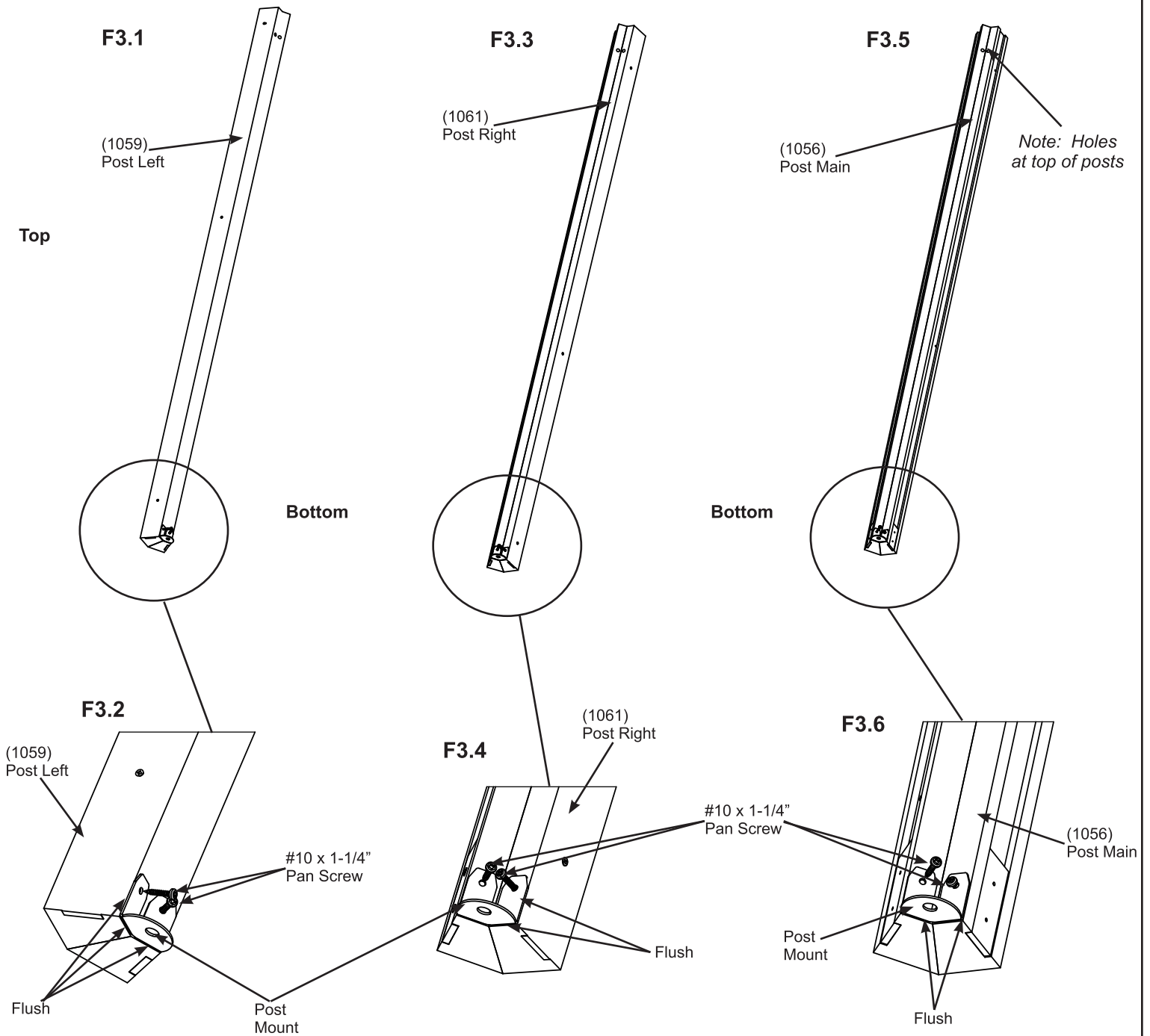
21 x #8 x 1-1/2" Wood Screw



# Step 3: Post Assemblies

**A:** Flush to the bottom of one (1059) Post Left and one (1061) Post Right place one Post Mount tight to the inside of each post then attach with two #10 x 1-1/4" Pan Screws per Post Mount. (F3.1, F3.2, F3.3 and F3.4)

**B:** Flush to the bottom of each (1056) Post Main place one Post Mount tight to the inside of each post then attach with two #10 x 1-1/4" Pan Screws per Post Mount. There will be six Post Main Assemblies. (F3.5 and F3.6)



### Wood Parts

- 6 x (1056) Post Main
- 1 x (1059) Post Left
- 1 x (1061) Post Right

### Components

- 8 x Post Mount

### Hardware

- 16 x #10 x 1-1/4" Pan Screw

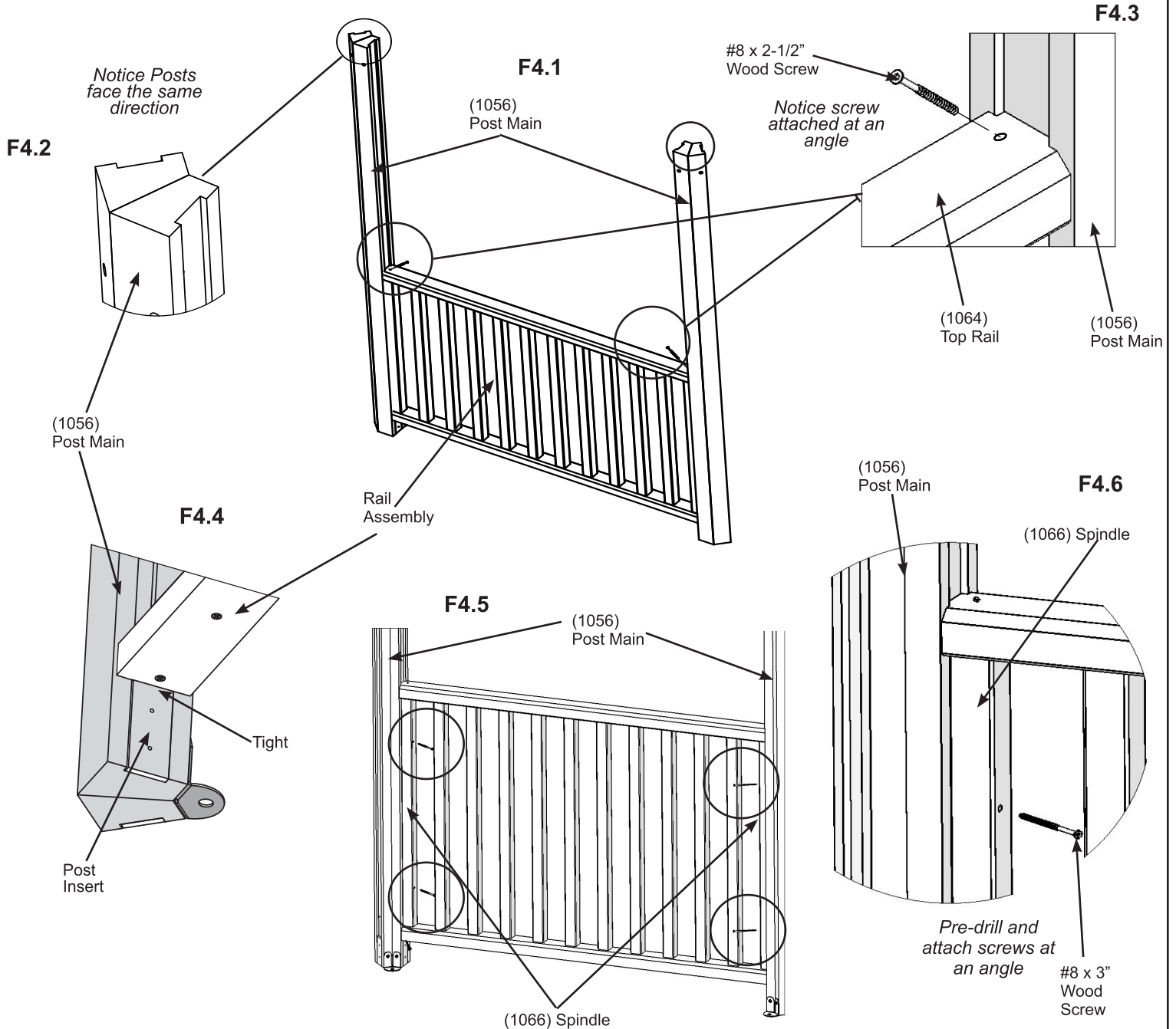
# Step 4: Attach Rail Assemblies to Posts Part 1



**A:** Place one (1056) Post Main on each side of one Rail Assembly. Rail Assembly should sit tight to top of post insert. See F4.1 and F4.2 for correct positioning of posts. At an angle attach (1064) Top Rail to posts with two #8 x 2-1/2" Wood Screws. (F4.1, F4.2, F4.3 and F4.4)

**B:** For each (1066) Spindle which is next to a post, at an angle, pre-drill with a 1/8" drill bit then attach (1066) Spindles to posts, on an angle, with two #8 x 3" Wood Screws per post. (F4.5 and F4.6)

**C:** Repeat Steps A and B for a second Rail Assembly using two (1056) Post Mains.



### Hardware

4 x #8 x 2-1/2" Wood Screw

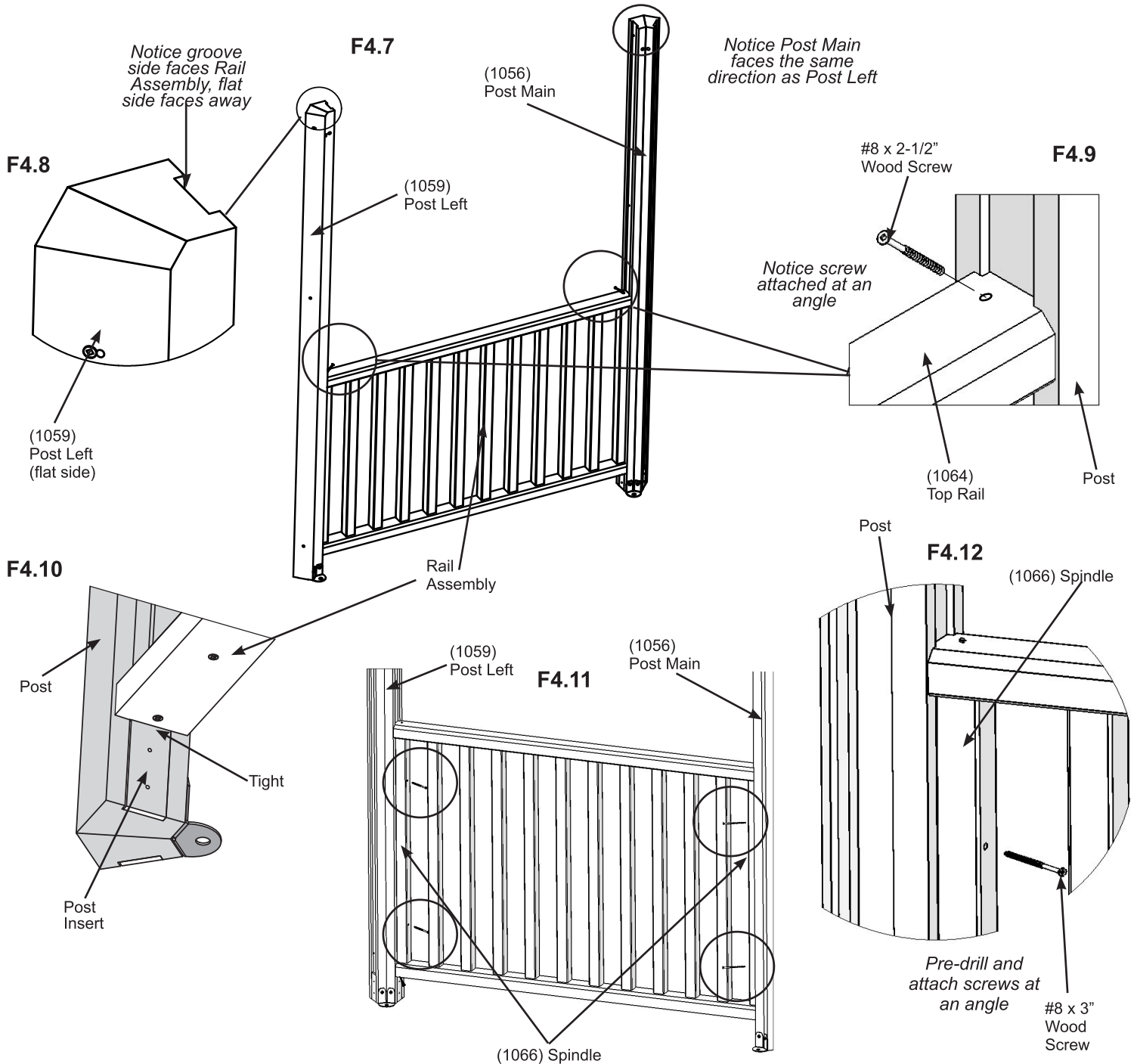
8 x #8 x 3" Wood Screw



## Step 4: Attach Rail Assemblies to Posts Part 2

**D:** Place one (1056) Post Main on one side of one Rail Assembly and (1059) Post Left on the other side. Rail Assembly should sit tight to top of post insert. See F4.7 and F4.8 for correct positioning of posts. At an angle, attach (1064) Top Rail to posts with two #8 x 2-1/2" Wood Screws. (F4.7, F4.8, F4.9 and F4.10)

**E:** For each (1066) Spindle which is next to a post, at an angle, pre-drill with a 1/8" drill bit then attach (1066) Spindles to posts, on an angle, with two #8 x 3" Wood Screws per post. (F4.11 and F4.12)



### Hardware

2 x #8 x 2-1/2" Wood Screw

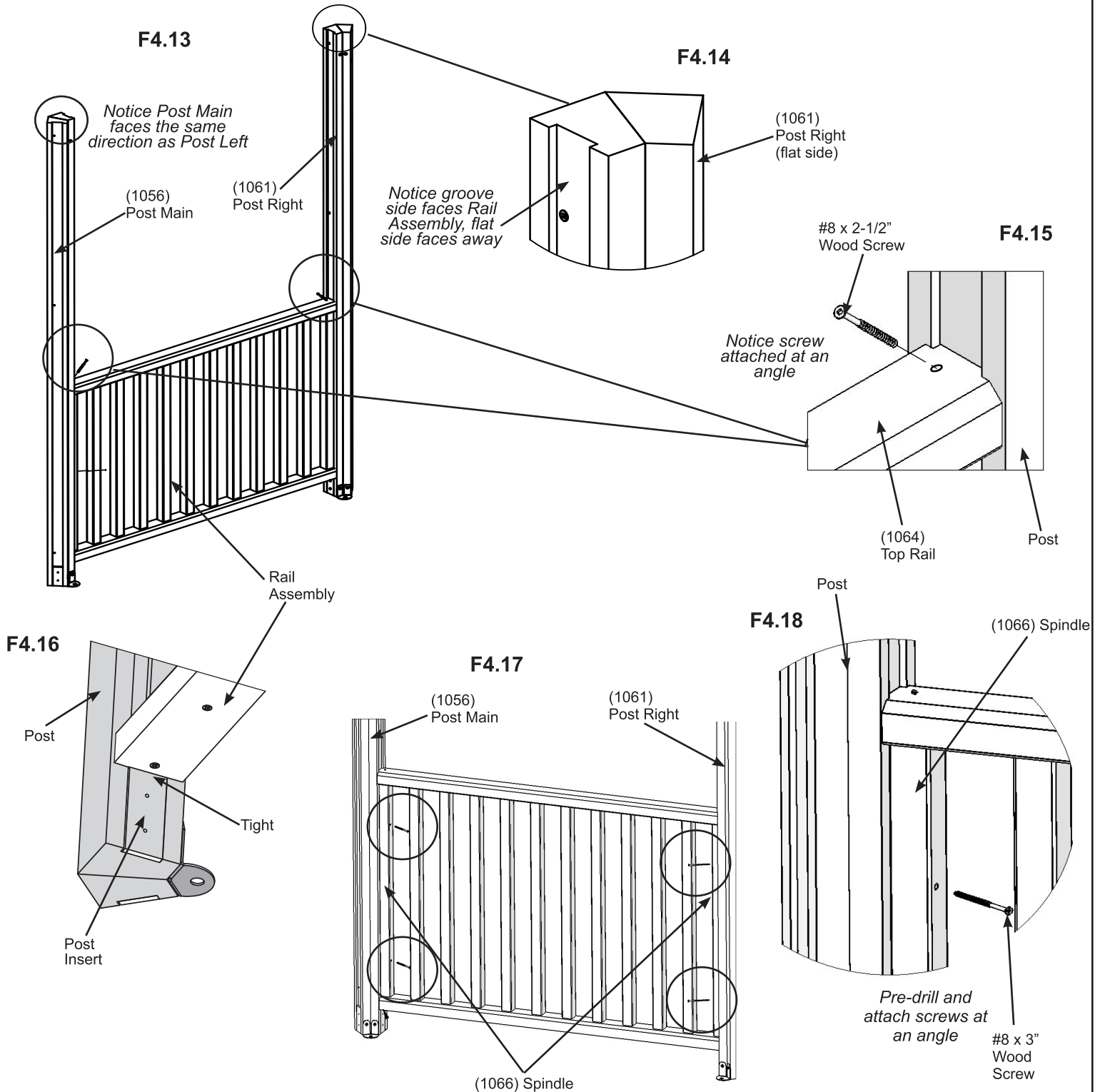
4 x #8 x 3" Wood Screw

# Step 4: Attach Rail Assemblies to Posts

## Part 3



**F:** Repeat Steps D and E using one (1056) Post Main with one (1061) Post Right. See F4.11 and F4.12 for correct positioning of Posts. (F4.13, F4.14, F4.15, F4.16, F4.17 and F4.18)

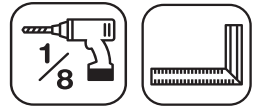


### Hardware

2 x #8 x 2-1/2" Wood Screw

4 x #8 x 3" Wood Screw

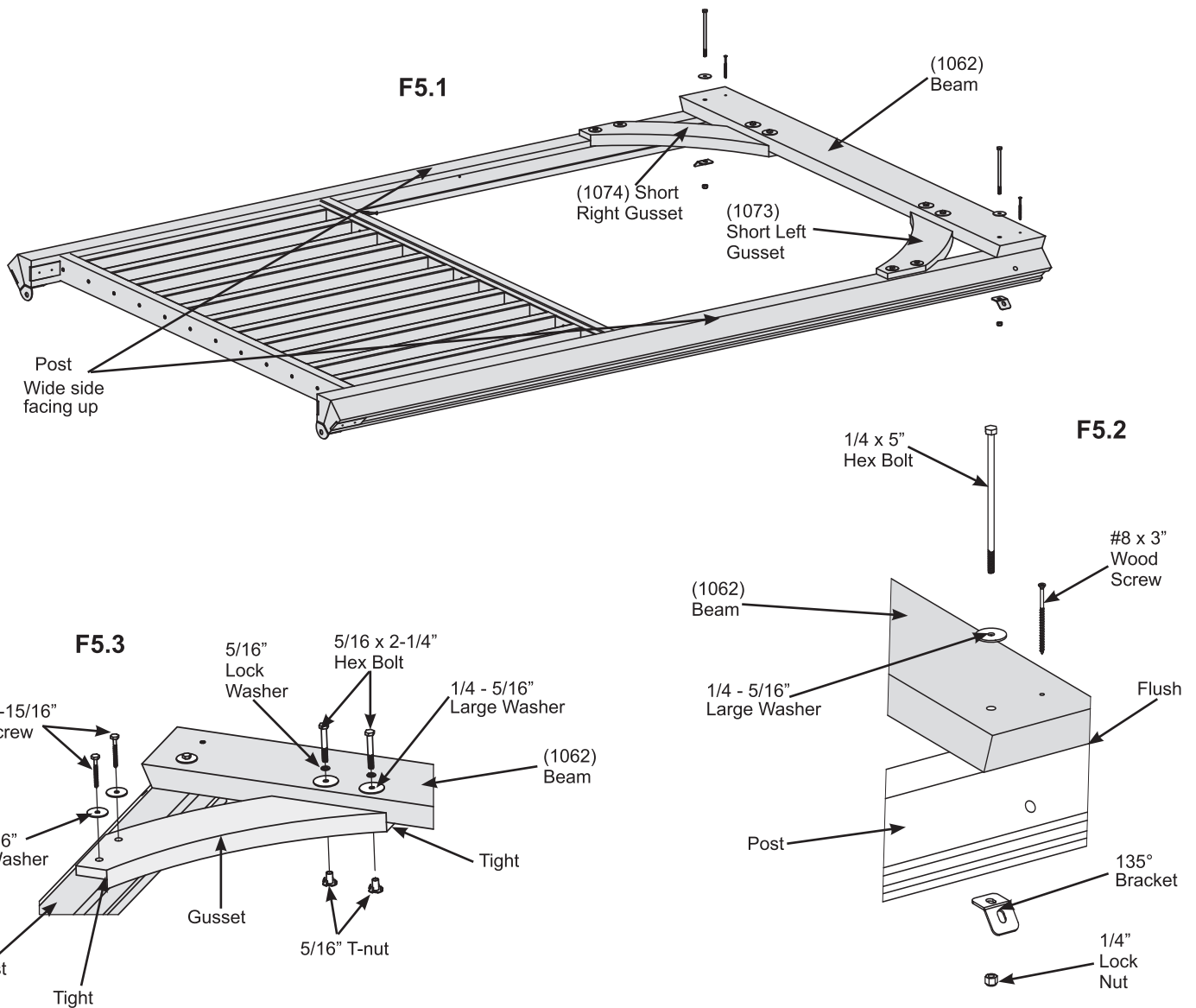
# Step 5: Main Wall Assembly



**A:** On one Rail/Post Main Assembly place one (1062) Beam against the wide side of the posts, flush to the edges then loosely attach with two 1/4 x 5" Hex Bolts (with 1/4-5/16" large washer, 135° Bracket and 1/4" lock nut) in the bottom holes. Make sure assembly is square then attach (1062) Beam to posts with two #8 x 3" Wood Screws in the top holes. Tighten bolts. (F5.1 and F5.2)

**B:** Place one (1073) Short Left Gusset and one (1074) Short Right Gusset tight to the Posts and bottom of (1062) Beam then attach to beam with two 5/16 x 2-1/4" Hex Bolts (with 5/16" lock washer, 1/4-5/16" large washer and 5/16" t-nut) per gusset. Pre-drill with a 1/8" drill bit then attach gusset to posts with two 1/4 x 1-15/16" Lag Screws (with 1/4-5/16" large washer) per gusset. (F5.1 and F5.3)

**C:** Repeat Steps A and B for the second Rail/Post Main Assembly. This makes two Main Wall Assemblies.



## Wood Parts

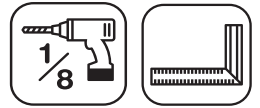
- 2 x (1062) Beam
- 2 x (1073) Short Left Gusset
- 2 x (1074) Short Right Gusset

## Hardware

- 4 x 1/4 x 5" Hex Bolt (1/4-5/16" large washer, 135° Bracket, 1/4" lock nut)
- 8 x 5/16 x 2-1/4" Hex Bolt (5/16" lock washer, 1/4-5/16" large washer, 5/16" t-nut)
- 8 x 1/4 x 1-15/16" Lag Screw (1/4-5/16" large washer)
- 4 x #8 x 3" Wood Screw



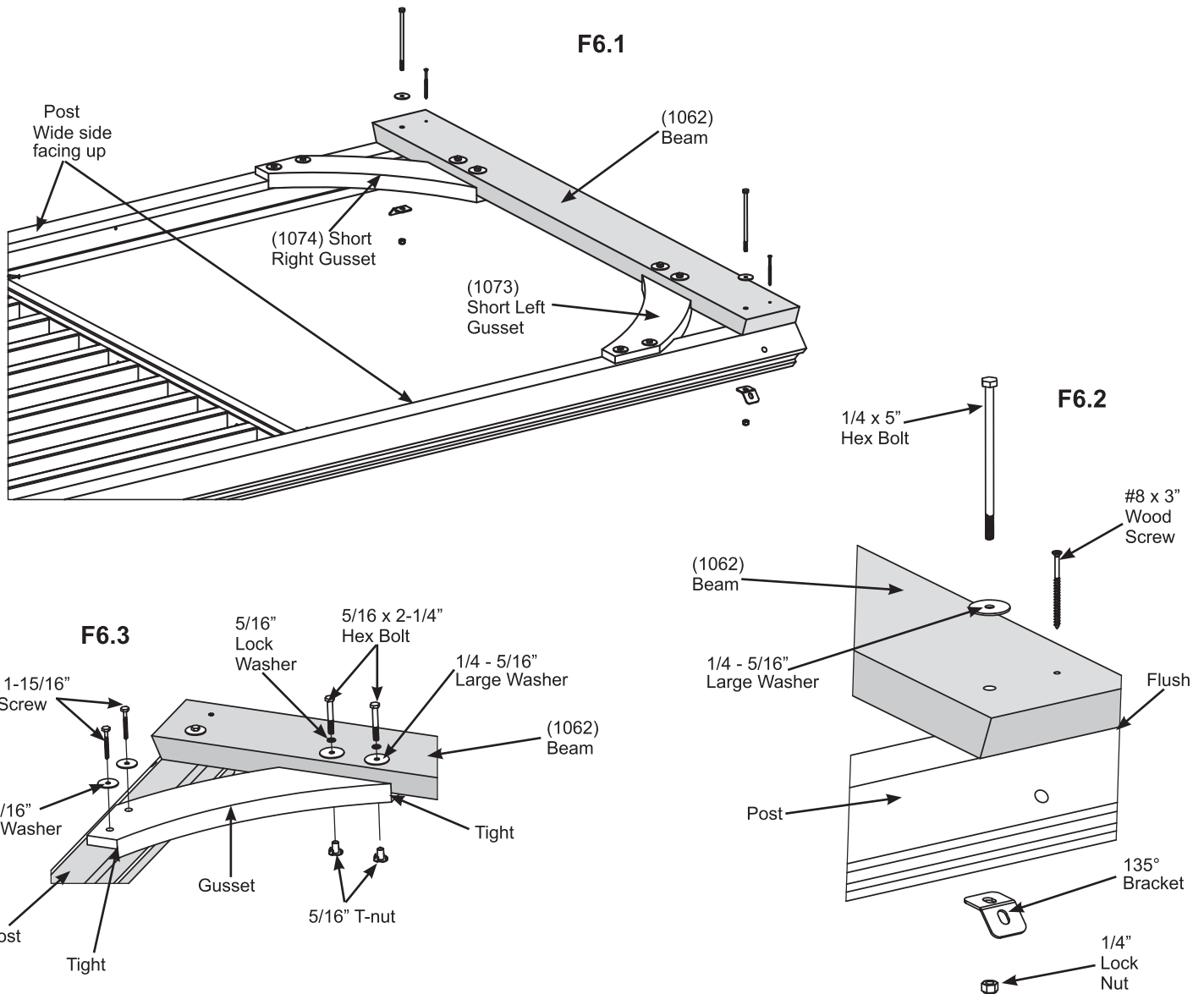
# Step 6: Left and Right Wall Assemblies



**A:** On one Rail/Post Left Assembly place one (1062) Beam against the wide side of the posts, flush to the edges then loosely attach with two 1/4 x 5" Hex Bolts (with 1/4-5/16" large washer, 135° Bracket and 1/4" lock nut) in the bottom holes. Make sure assembly is square then attach (1062) Beam to posts with two #8 x 3" Wood Screws in the top holes. Tighten bolts. (F6.1 and F6.2)

**B:** Place one (1073) Short Left Gusset and one (1074) Short Right Gusset tight to the Posts and bottom of (1062) Beam then attach to beam with two 5/16 x 2-1/4" Hex Bolts (with 5/16" lock washer, 1/4-5/16" large washer and 5/16" t-nut) per gusset. Pre-drill with a 1/8" drill bit then attach gusset to posts with two 1/4 x 1-15/16" Lag Screws (with 1/4-5/16" large washer) per gusset. (F6.1 and F6.3)

**C:** Repeat Steps A and B for the Rail/Post Right Assembly.



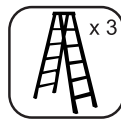
## Wood Parts

- 2 x (1062) Beam
- 2 x (1073) Short Left Gusset
- 2 x (1074) Short Right Gusset

## Hardware

- 4 x 1/4 x 5" Hex Bolt (1/4-5/16" large washer, 135° Bracket, 1/4" lock nut)
- 8 x 5/16 x 2-1/4" Hex Bolt (5/16" lock washer, 1/4-5/16" large washer, 5/16" t-nut)
- 8 x 1/4 x 1-15/16" Lag Screw (1/4-5/16" large washer)
- 4 x #8 x 3" Wood Screw

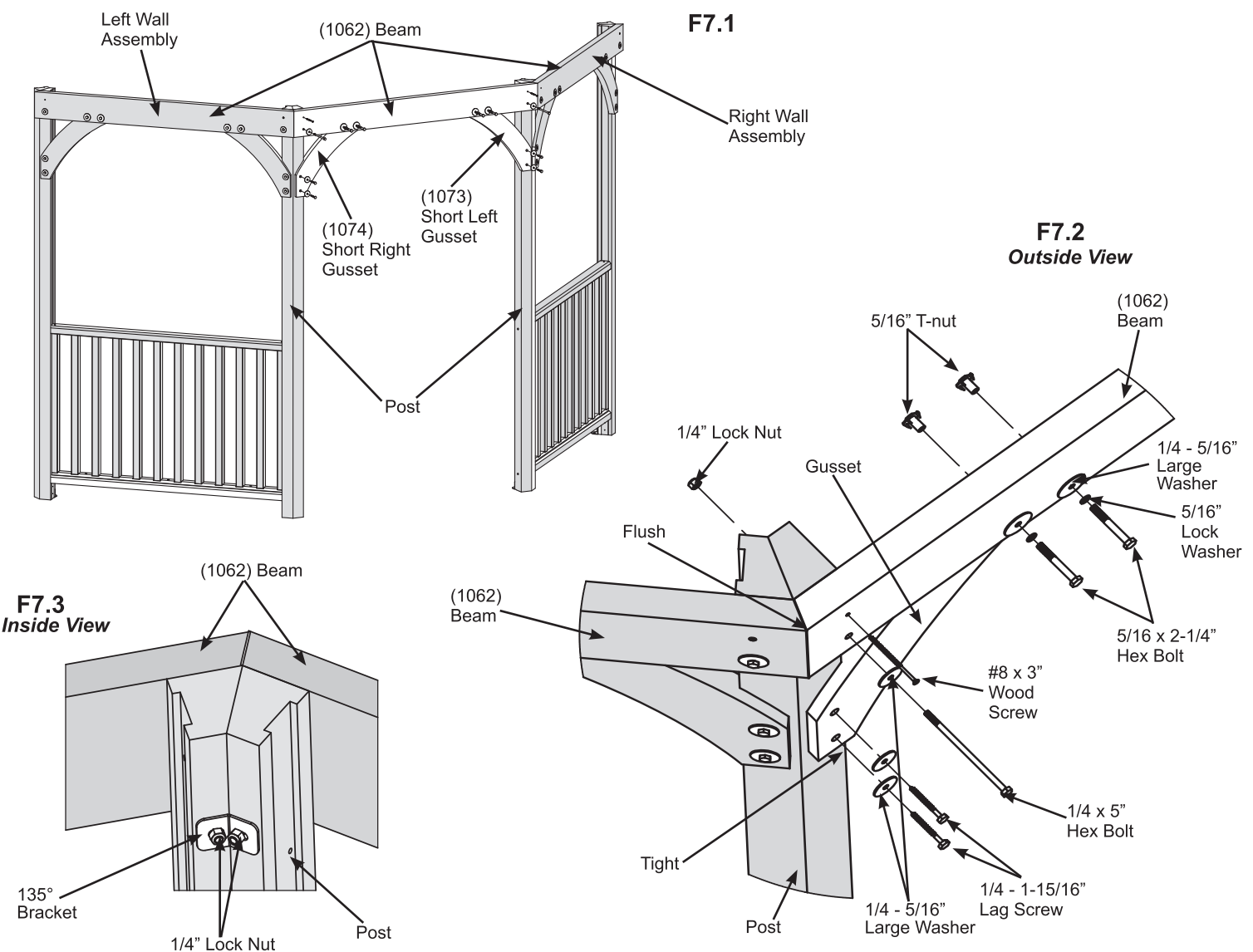
# Step 7: Frame Assembly Part 1



**A:** Move Wall Assemblies to the final location. Make sure the ground is flat and level before continuing assembly.

**B:** With one person holding the Left Wall Assembly and one person holding the Right Wall Assembly place one (1062) Beam in between walls so it is flush to the top of previously installed (1062) Beams. Loosely attach (1062) Beam to each wall with two 1/4 x 5" Hex Bolts (with 1/4-5/16" large washer and 1/4" lock nut) in the bottom holes. Bolt goes through 135° Brackets previously installed. Make sure assembly is square then attach (1062) Beam to walls with two #8 x 3" Wood Screws in the top holes. Tighten bolts. (F7.1, F7.2 and F7.3)

**C:** Place one (1073) Short Left Gusset and one (1074) Short Right Gusset tight to the Posts and bottom of (1062) Beam then attach to beam with two 5/16 x 2-1/4" Hex Bolts (with 5/16" lock washer, 1/4-5/16" large washer and 5/16" t-nut) per gusset. Pre-drill with a 1/8" drill bit then attach gusset to posts with two 1/4 x 1-15/16" Lag Screws (with 1/4-5/16" large washer) per gusset. (F7.1 and F7.2)



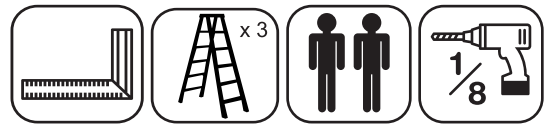
## Wood Parts

- 1 x (1062) Beam
- 1 x (1073) Short Left Gusset
- 1 x (1074) Short Right Gusset

## Hardware

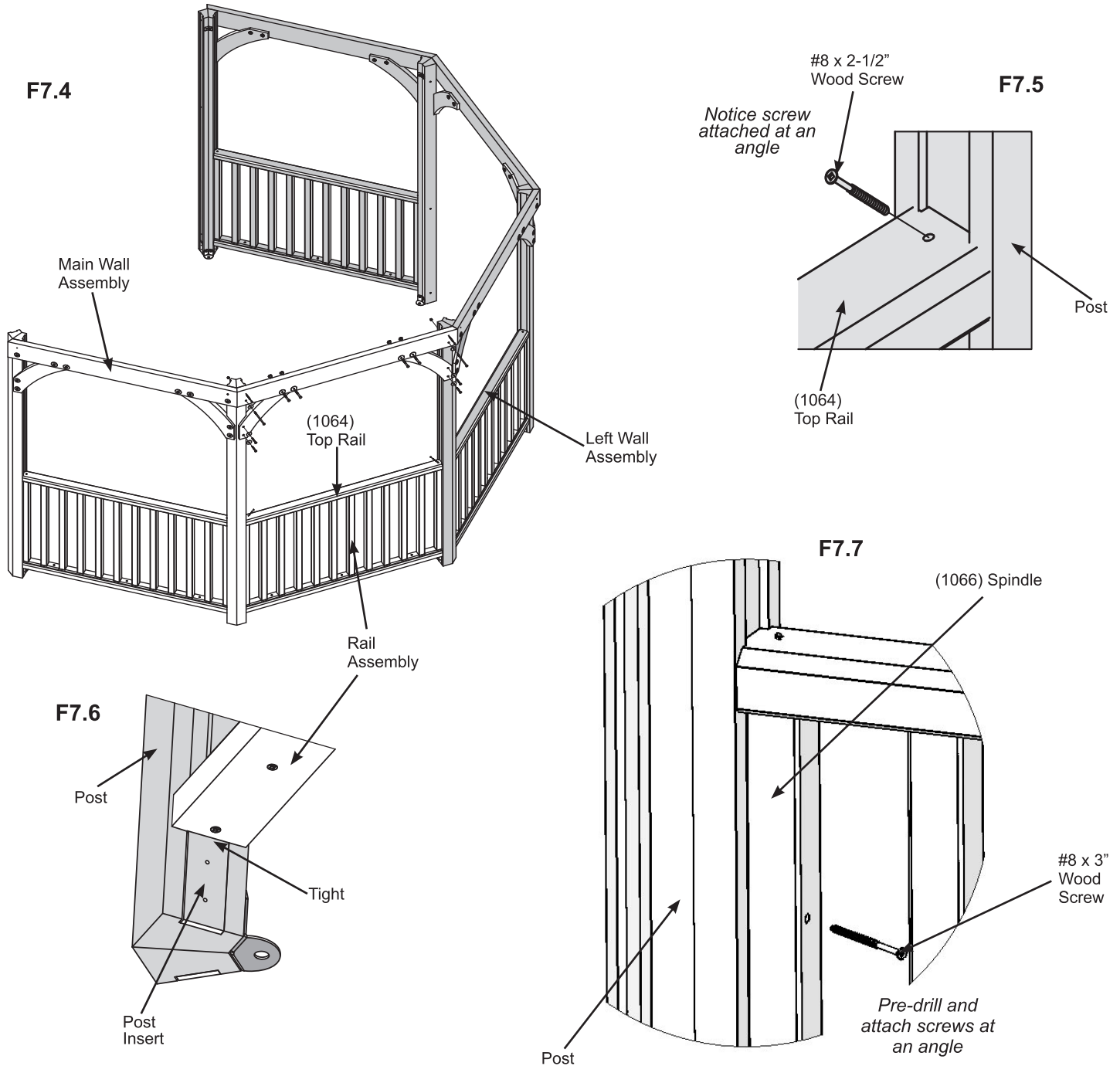
- 2 x 1/4 x 5" Hex Bolt (1/4-5/16" large washer, 1/4" lock nut)
- 4 x 5/16 x 2-1/4" Hex Bolt (5/16" lock washer, 1/4-5/16" large washer, 5/16" t-nut)
- 4 x 1/4 x 1-15/16" Lag Screw (1/4-5/16" large washer)
- 2 x #8 x 3" Wood Screw

# Step 7: Frame Assembly Part 2



**D:** Place one Rail Assembly between Left Wall Assembly and one Main Wall Assembly. Rail Assembly should sit tight to top of post inserts. At an angle, attach (1064) Top Rail to posts with two #8 x 2-1/2" Wood Screws. (F7.4, F7.5 and F7.6)

**E:** For each (1066) Spindle which is next to a post, at an angle, pre-drill with a 1/8" drill bit then attach (1066) Spindles to posts, on an angle, with two #8 x 3" Wood Screws per post. (F7.4 and F7.7)

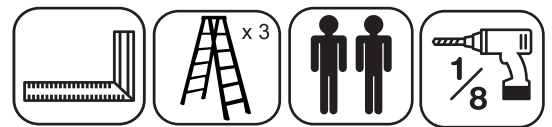


### Hardware

4 x #8 x 2-1/2" Wood Screw

8 x #8 x 3" Wood Screw

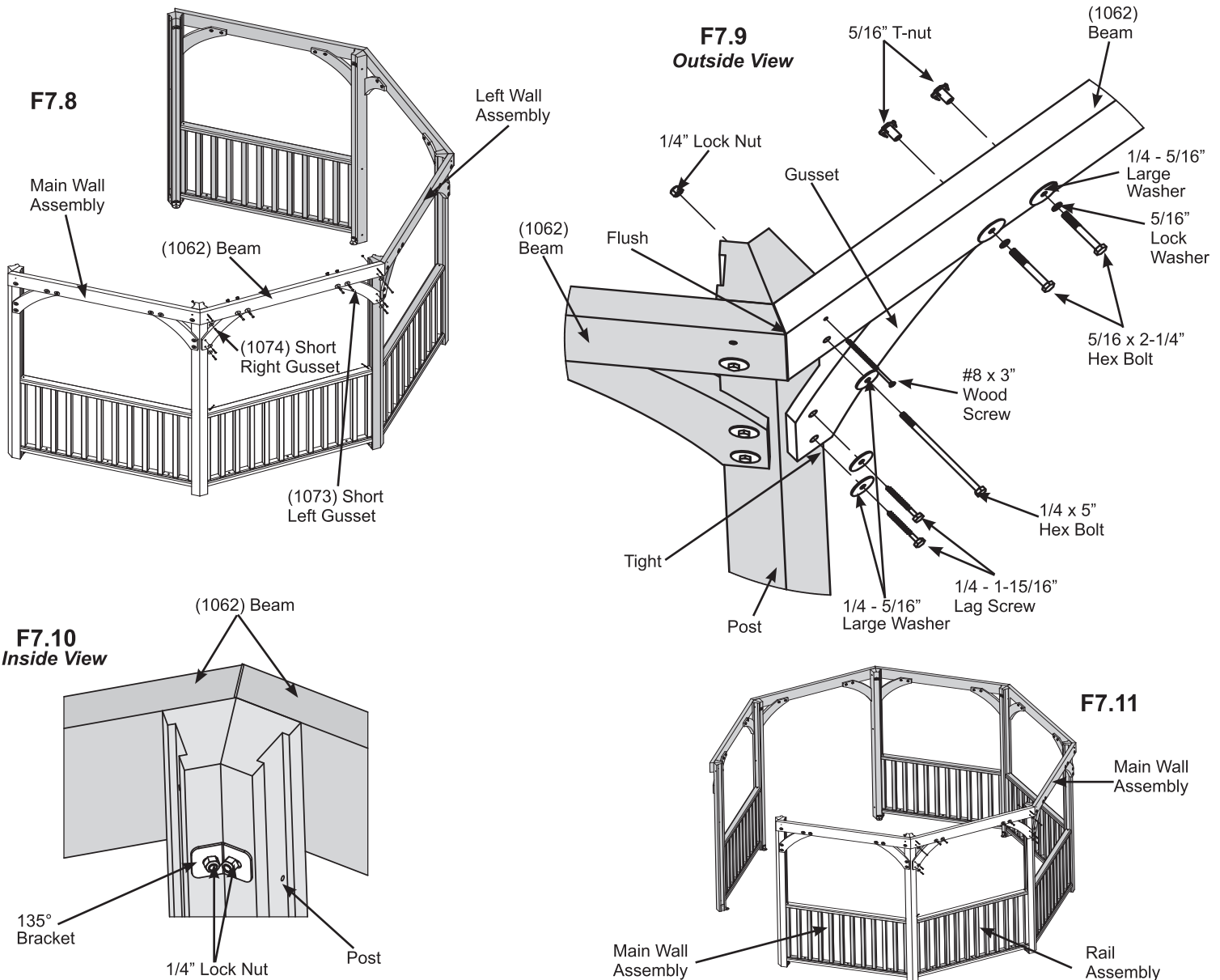
# Step 7: Frame Assembly Part 3



**F:** Place one (1062) Beam in between walls so it is flush to the top of previously installed (1062) Beams. Loosely attach (1062) Beam to each wall with two 1/4 x 5" Hex Bolts (with 1/4-5/16" large washer and 1/4" lock nut) in the bottom holes. Bolt goes through 135° Brackets previously installed. Make sure assembly is square then attach (1062) Beam to walls with two #8 x 3" Wood Screws in the top holes. Tighten bolts. (F7.8, F7.9 and F7.10)

**G:** Place one (1073) Short Left Gusset and one (1074) Short Right Gusset tight to the Posts and bottom of (1062) Beam then attach to beam with two 5/16 x 2-1/4" Hex Bolts (with 5/16" lock washer, 1/4-5/16" large washer and 5/16" t-nut) per gusset. Pre-drill with a 1/8" drill bit then attach gusset to posts with two 1/4 x 1-15/16" Lag Screws (with 1/4-5/16" large washer) per gusset. (F7.8 and F7.9)

**H:** Repeat Steps D - G for another Rail Assembly and Wall Assembly next to the first set. (F7.11)



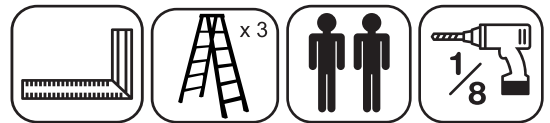
### Wood Parts

- 2 x (1062) Beam
- 2 x (1073) Short Left Gusset
- 2 x (1074) Short Right Gusset

### Hardware

- 4 x 1/4 x 5" Hex Bolt (1/4-5/16" large washer, 1/4" lock nut)
- 8 x 5/16 x 2-1/4" Hex Bolt (5/16" lock washer, 1/4-5/16" large washer, 5/16" t-nut)
- 8 x 1/4 x 1-15/16" Lag Screw (1/4-5/16" large washer)
- 4 x #8 x 3" Wood Screw

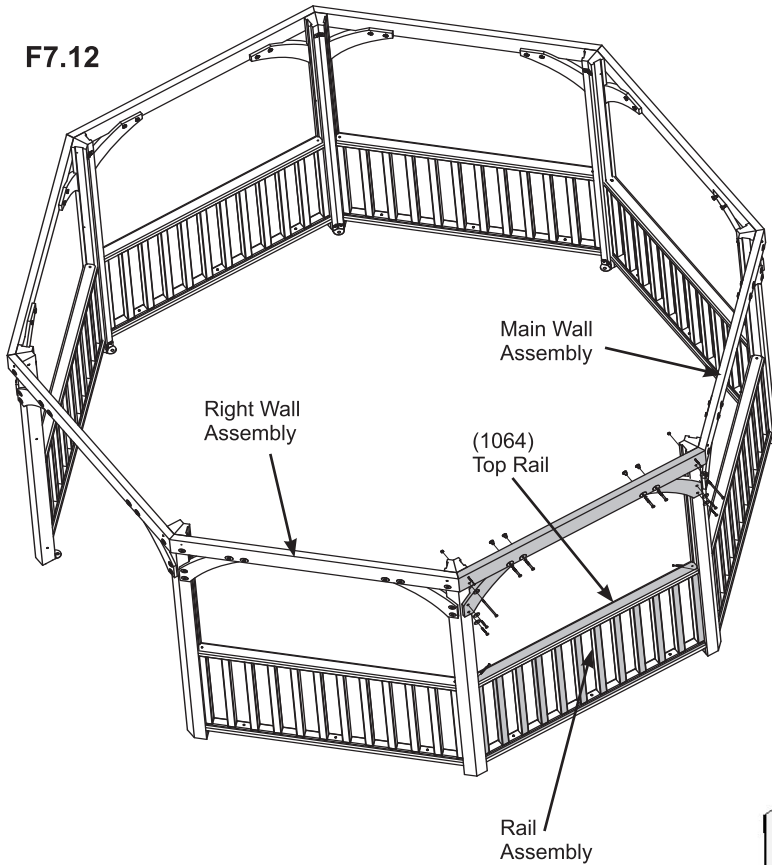
# Step 7: Frame Assembly Part 4



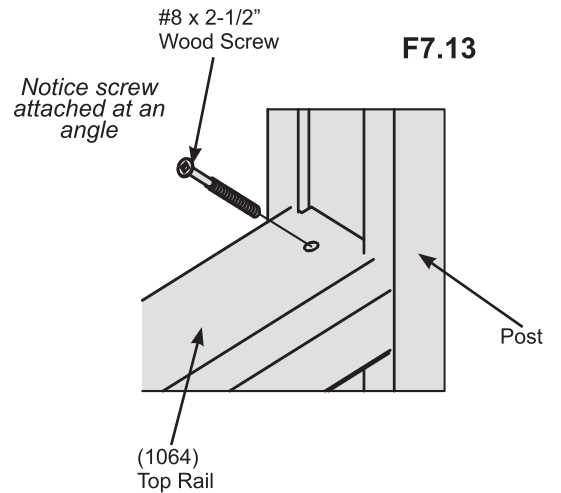
**I:** Place remaining Rail Assembly between Right Wall Assembly and Main Wall Assembly. Rail Assembly should sit tight to top of post inserts. At an angle, attach (1064) Top Rail to posts with two #8 x 2-1/2" Wood Screws. (F7.12, F7.13 and F7.14)

**J:** For each (1066) Spindle which is next to a post, at an angle, pre-drill with a 1/8" drill bit then attach (1066) Spindles to posts, on an angle, with two #8 x 3" Wood Screws per post. (F7.12 and F7.15)

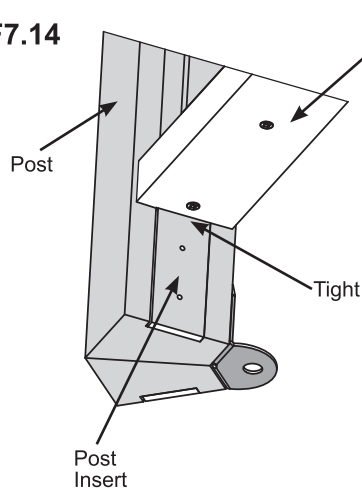
**F7.12**



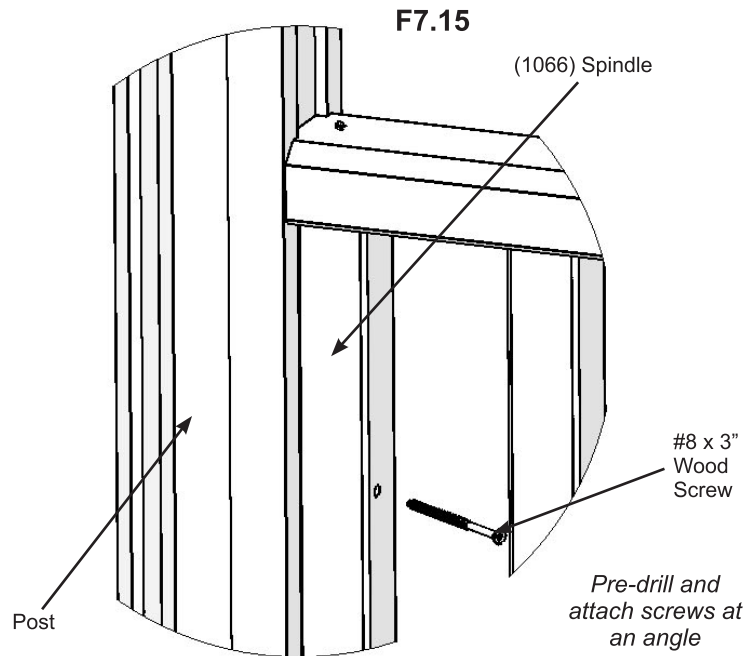
**F7.13**



**F7.14**



**F7.15**



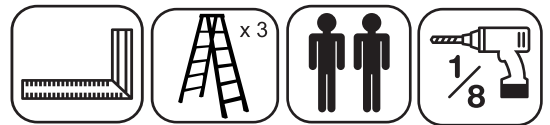
### Hardware

2 x #8 x 2-1/2" Wood Screw

4 x #8 x 3" Wood Screw



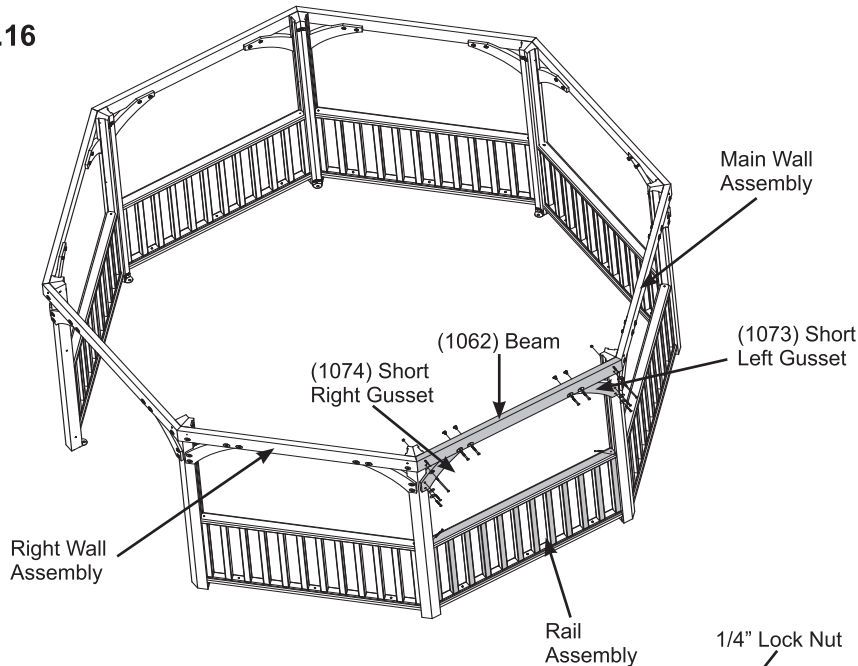
# Step 7: Frame Assembly Part 5



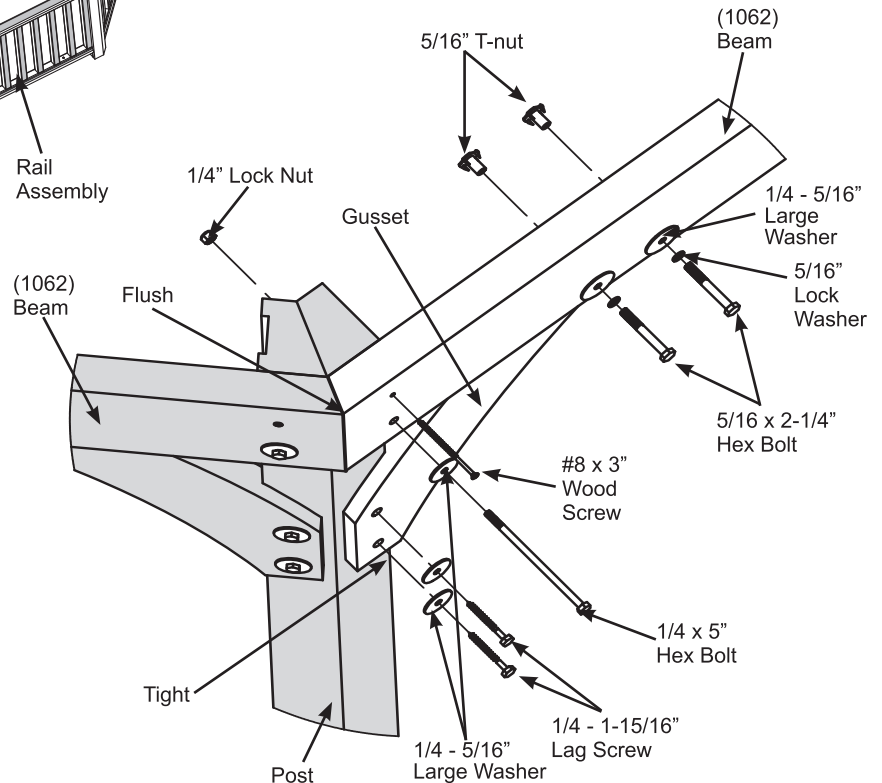
**K:** Place one (1062) Beam in between walls so it is flush to the top of previously installed (1062) Beams. Loosely attach (1062) Beam to each wall with two 1/4 x 5" Hex Bolts (with 1/4-5/16" large washer and 1/4" lock nut) in the bottom holes. Bolt goes through 135° Brackets previously installed. Make sure assembly is square then attach (1062) Beam to walls with two #8 x 3" Wood Screws in the top holes. Tighten bolts. (F7.16, F7.17 and F7.18)

**L:** Place one (1073) Short Left Gusset and one (1074) Short Right Gusset tight to the Posts and bottom of (1062) Beam then attach to beam with two 5/16 x 2-1/4" Hex Bolts (with 5/16" lock washer, 1/4-5/16" large washer and 5/16" t-nut) per gusset. Pre-drill with a 1/8" drill bit then attach gusset to posts with two 1/4 x 1-15/16" Lag Screws (with 1/4-5/16" large washer) per gusset. (F7.16 and F7.17)

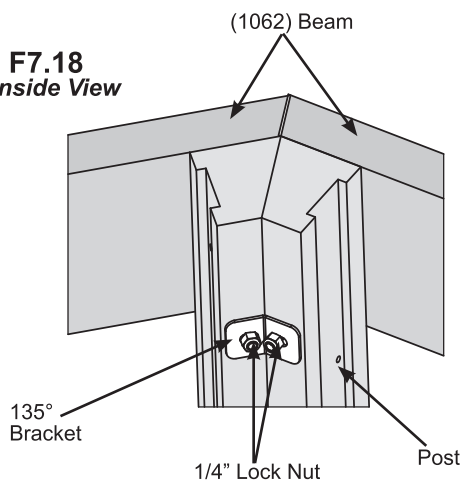
**F7.16**



**F7.17  
Outside View**



**F7.18  
Inside View**



**Wood Parts**

- 1 x (1062) Beam
- 1 x (1073) Short Left Gusset
- 1 x (1074) Short Right Gusset

**Hardware**

- 2 x 1/4 x 5" Hex Bolt (1/4-5/16" large washer, 1/4" lock nut)
- 4 x 5/16 x 2-1/4" Hex Bolt (5/16" lock washer, 1/4-5/16" large washer, 5/16" t-nut)
- 4 x 1/4 x 1-15/16" Lag Screw (1/4-5/16" large washer)
- 2 x #8 x 3" Wood Screw