

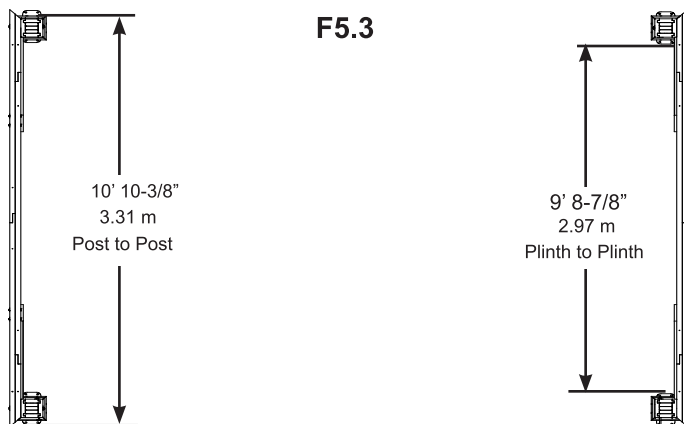
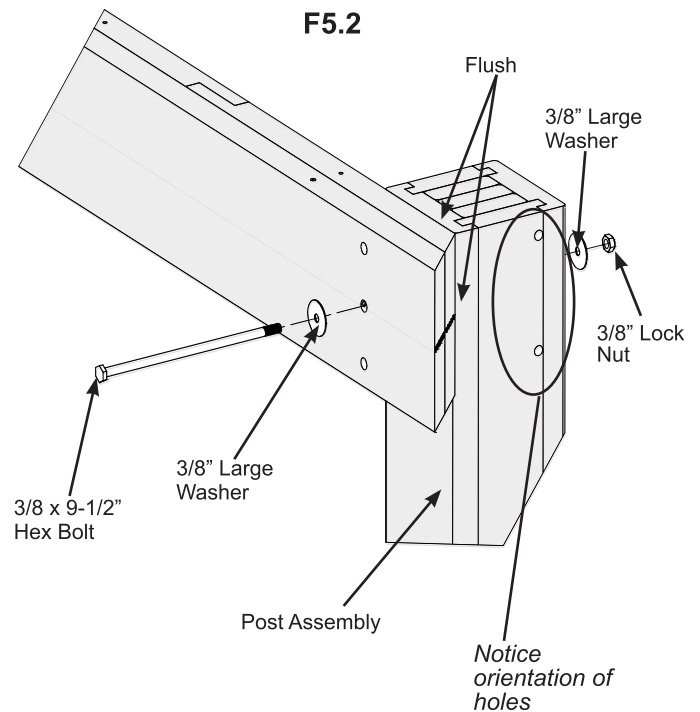
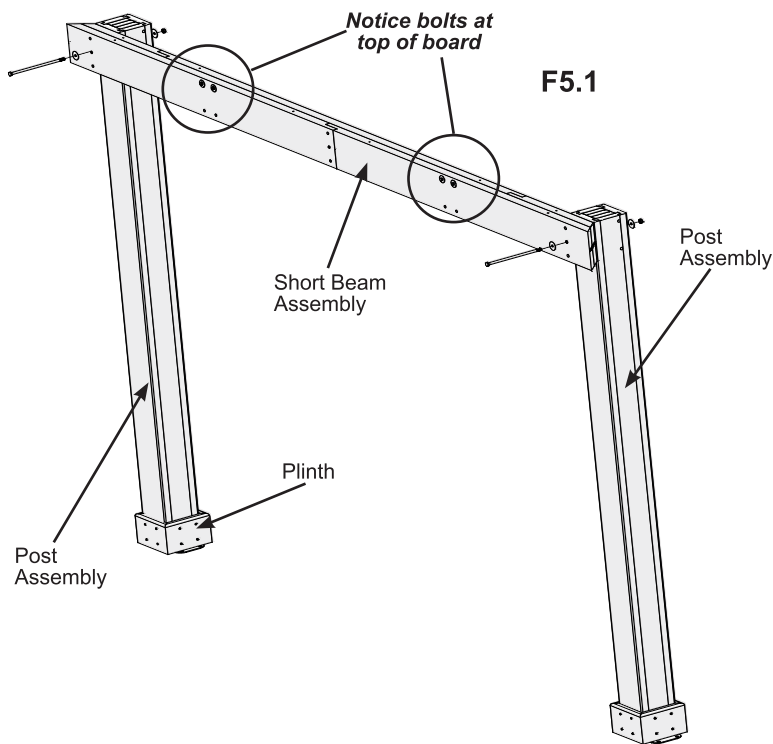
Step 5: Frame Assembly and Anchoring Part 1



A: On a hard, flat surface place one Short Beam Assembly against the outside of two Post Assemblies, on the short side, flush to the tops and outside corners. Attach Beam to Post, through the middle hole, with one 3/8 x 9-1/2" Hex Bolt (with two 3/8" large washers and one 3/8" lock nut) per Post. (F5.1 and F5.2)

The distance from the outside of one Post Assembly to the outside of the second Post Assembly should be 10' 10-3/8". See F5.3 for accurate positioning of Posts.

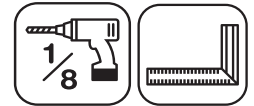
B: Repeat Step A for second Short Beam Assembly. These will now be referred to as Short Side Assemblies.



Hardware

4 x 3/8 x 9-1/2" Hex Bolt (3/8" large washer x 2, 3/8" lock nut)

Step 5: Frame Assembly and Anchoring Part 2

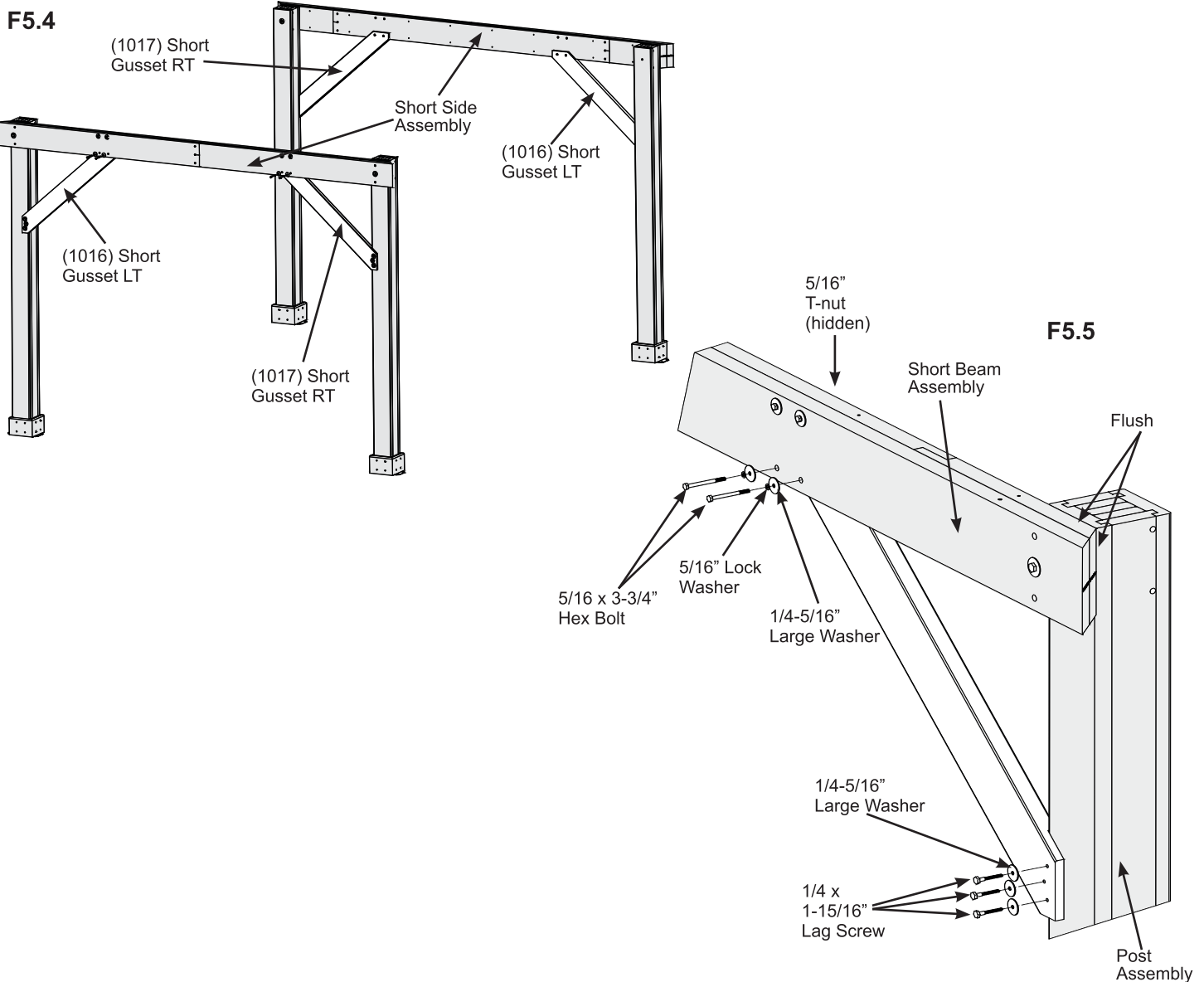


Note: The bevelled ends on each gusset should always face away from the wood it is attaching to.

C: Make sure each Short Side Assembly is square, top of Beam Assembly is flush to the top of the Post Assembly and angle of Beam Assembly is flush to the side of the Post Assembly, then facing one Short Beam Assembly from the outside place one (1017) Short Gusset RT on the right hand side so the top fits tight to the Short Beam Assembly and the bottom fits tight to the Post Assembly. Attach gusset to Short Beam Assembly with two 5/16 x 3-3/4" Hex Bolts (with 5/16" lock washer, 1/4-5/16" large washer and 5/16" t-nut). Pre-drill with a 1/8" drill bit then attach gusset to Post Assembly with three 1/4 x 1-15/16" Lag Screws (with 1/4-5/16" large washer). (F5.4 and F5.5)

D: Repeat Step C on the left hand side with one (1016) Short Gusset LT. (F5.4 and F5.5)

E: Repeat Steps C and D for second Short Side Assembly.



Wood Parts

- 2 x (1016) Short Gusset LT
- 2 x (1017) Short Gusset RT

Hardware

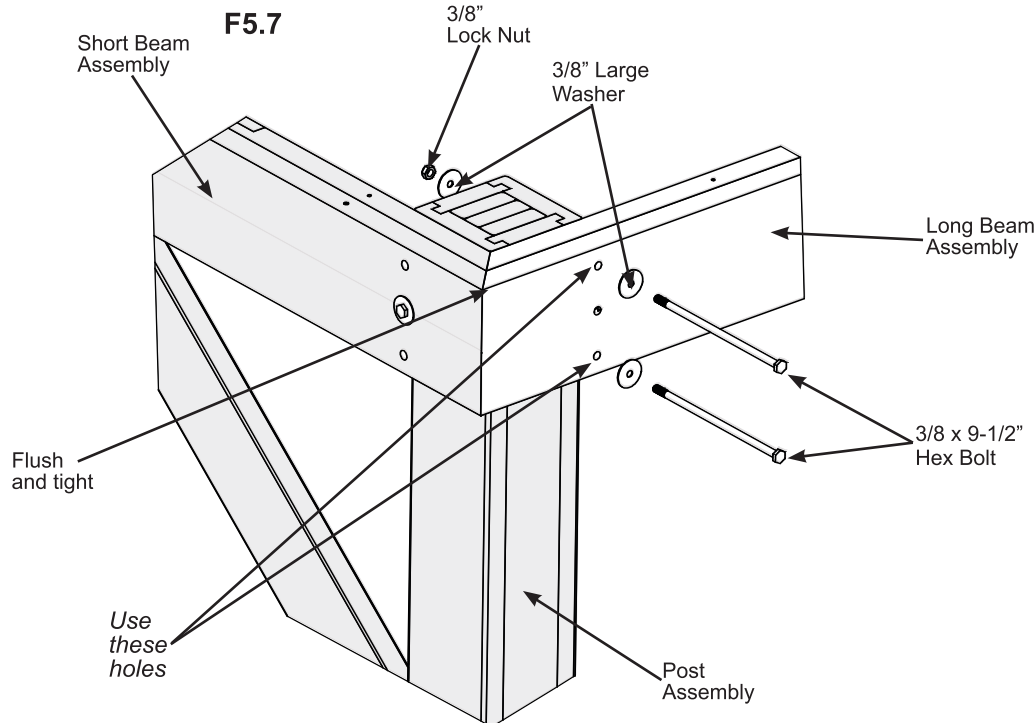
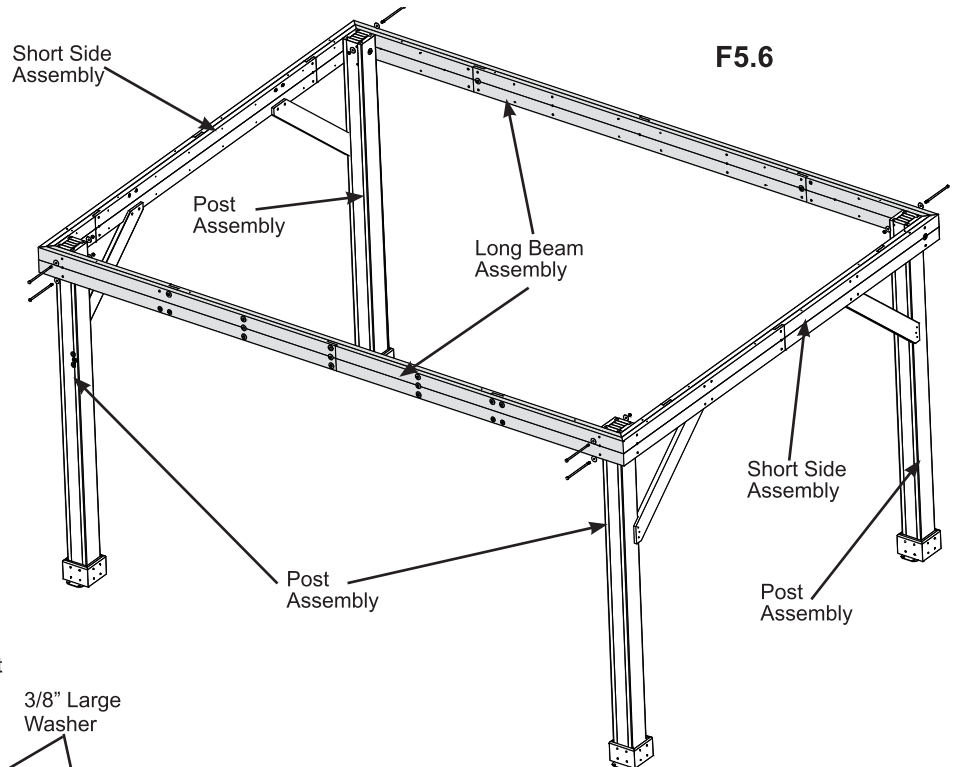
- 12 x 1/4 x 1-15/16" Lag Screw (1/4-5/16" large washer)
- 8 x 5/16 x 3-3/4" Hex Bolt (5/16" lock washer, 1/4-5/16" large washer, 5/16" t-nut)

Step 5: Frame Assembly and Anchoring Part 3



F: Move your Short Side Assemblies to the final location. Make sure the ground is flat and level before continuing assembly.

G: With helpers stand up Short Side Assemblies then place one Long Beam Assembly against the outside of two Post Assemblies, flush to the tops and outside corners and tight to Short Beam Assembly. Attach Long Beam Assembly to Post Assembly through the top and bottom holes with two 3/8 x 9-1/2" Hex Bolts (with two 3/8" large washers and one 3/8" lock nut) per Post Assembly. Repeat for the second Long Beam Assembly on the opposite side. (F5.6 and F5.7)



Hardware

8 x 3/8 x 9-1/2" Hex Bolt (3/8" large washer x 2, 3/8" lock nut)

Step 5: Frame Assembly and Anchoring Part 4

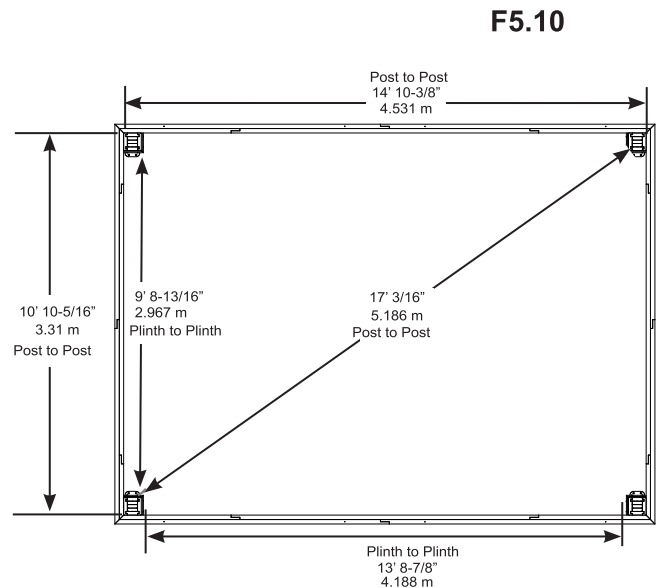
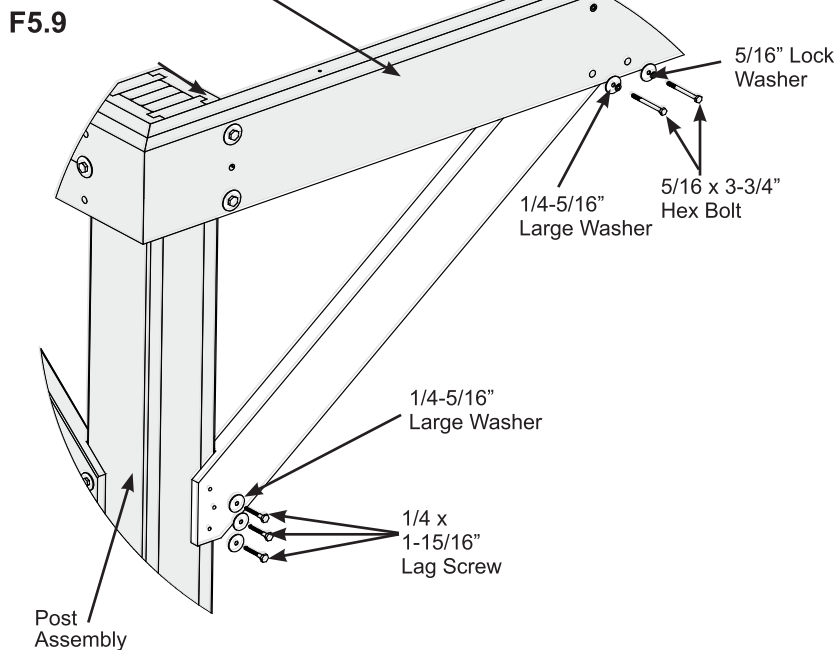
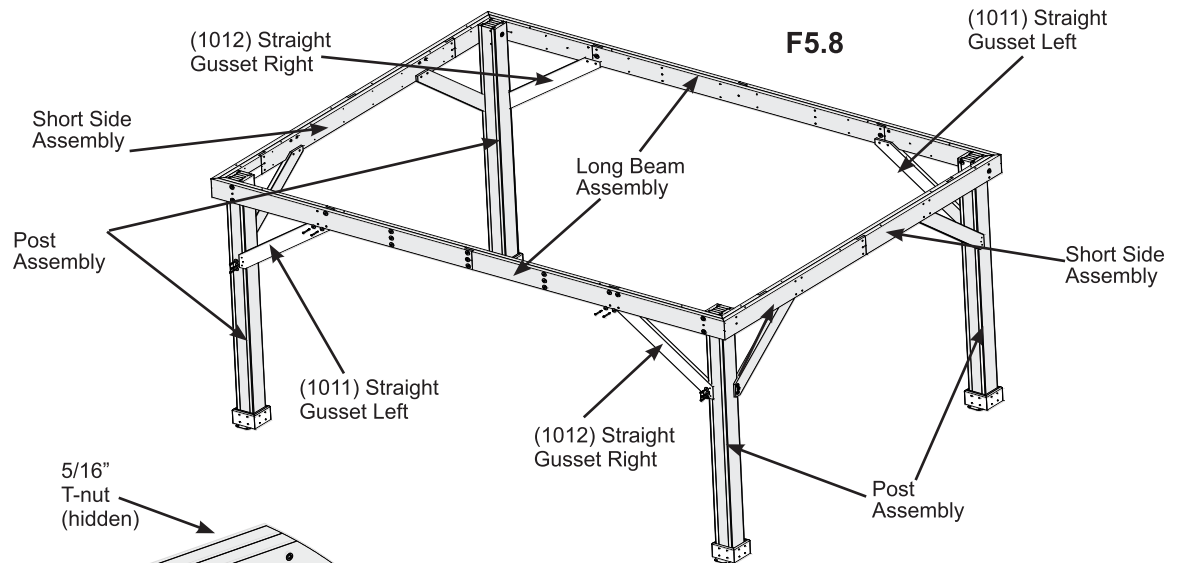


Note: The bevelled ends on each gusset should always face away from the wood it is attaching to.

H: Make sure the Frame Assembly is square and level then facing one Long Beam Assembly from the outside place one (1012) Straight Gusset Right on the right hand side Post Assembly so the top fits tight to the Long Beam Assembly and the bottom fits tight to the Post Assembly. Attach gusset to Long Beam Assembly with two 5/16 x 3-3/4" Hex Bolts (with 5/16" lock washer, 1/4-5/16" large washer and 5/16" t-nut). Pre-drill with a 1/8" drill bit then attach gusset to Post Assembly with three 1/4 x 1-15/16" Lag Screws (with 1/4-5/16" large washer). (F5.8, F5.9 and F5.10)

I: Repeat Step H to install (1011) Straight Gusset Left on the left hand side Post Assembly. (F5.8 and F5.9)

J: Repeat Steps H and I for the second Long Beam Assembly. (F5.8 and F5.9)



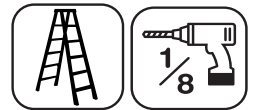
Wood Parts

- 2 x (1012) Straight Gusset Right
- 2 x (1011) Straight Gusset Left

Hardware

- 12 x 1/4 x 1-15/16" Lag Screw (1/4-5/16" large washer)
- 8 x 5/16 x 3-3/4" Hex Bolt (5/16" lock washer, 1/4-5/16" large washer, 5/16" t-nut)

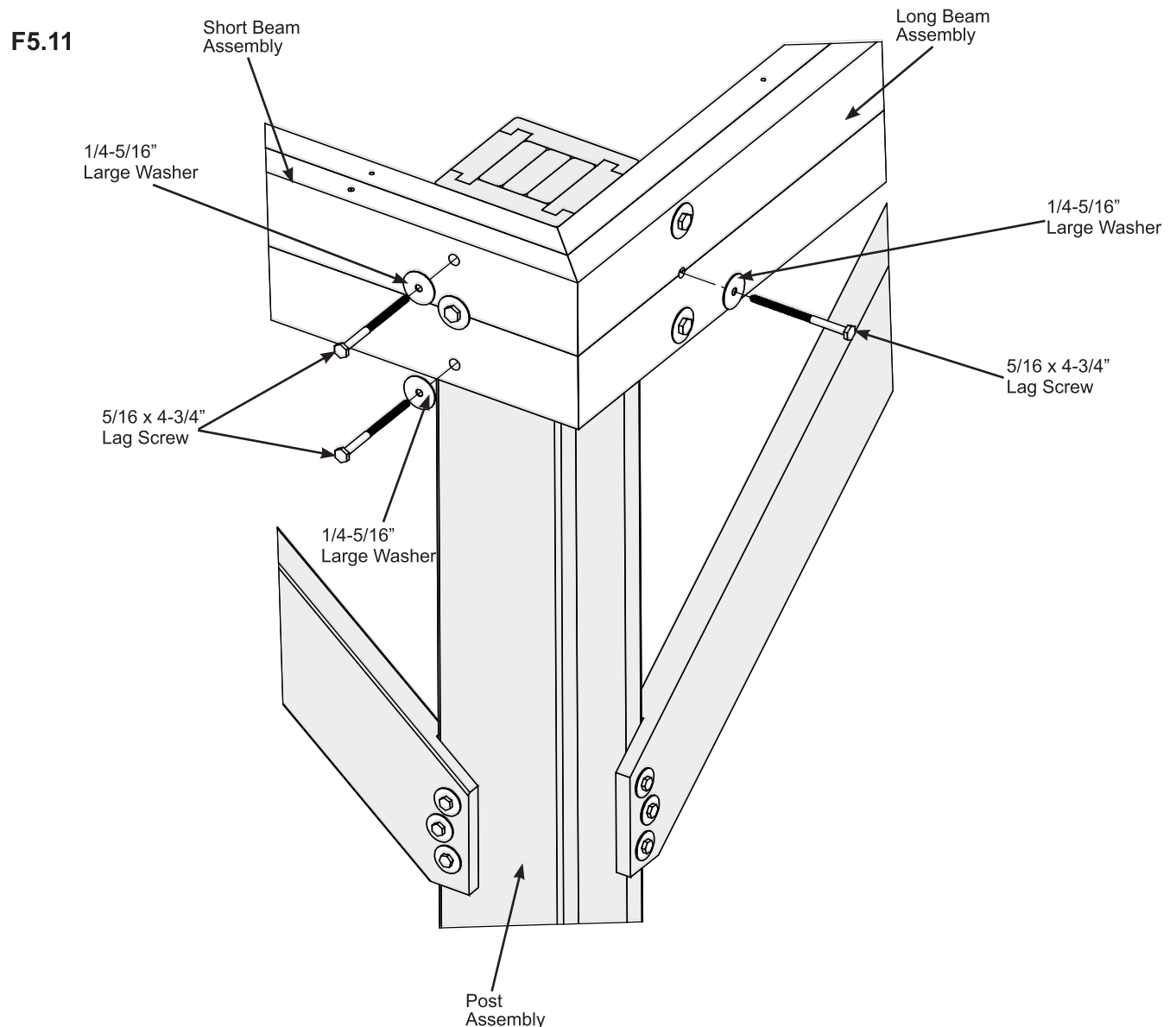
Step 5: Frame Assembly and Anchoring Part 5



K: Pre-drill with a 1/8" drill bit then attach Long Beam Assemblies to Post Assemblies with one 5/16 x 4-3/4" Lag Screw (with 1/4-5/16" large washer) per corner in the middle holes and Short Beam Assemblies to Post Assemblies with two 5/16 x 4-3/4" Lag Screws (with 1/4-5/16" large washer) per corner in the top and bottom holes. (F5.11)

L: Depending on what you are placing the Gazebo on will determine how you anchor it to that surface. Please refer to pages 6 and 7 for installation examples.

Any hardware or extra materials for mounting will have to be purchased in advance.

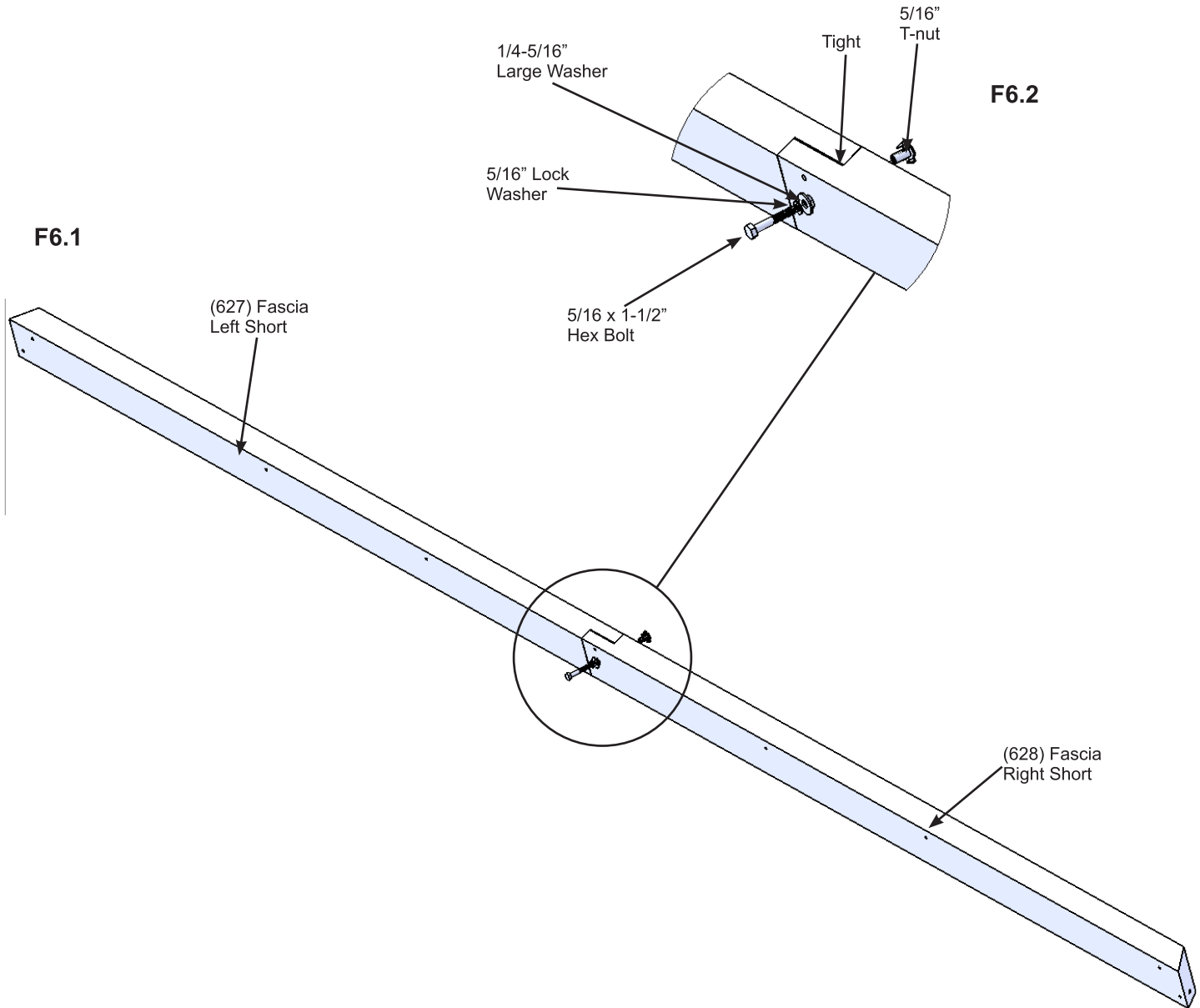


Hardware

12 x 5/16 x 4-3/4" Lag Screw
(1/4-5/16" large washer)

Step 6: Fascia Beam Assembly - Small Roof Assembly

A: Tightly connect one (627) Fascia Left Short and one (628) Fascia Right Short using one 5/16 x 1-1/2" Hex Bolt (with 5/16" lock washer, 1/4-5/16" large washer and 5/16" t-nut) as shown in F6.1 and F6.2. Repeat to make a second Fascia Beam Assembly.



Wood Parts

- 2 x (627) Fascia Left Short
- 2 x (628) Fascia Right Short

Hardware

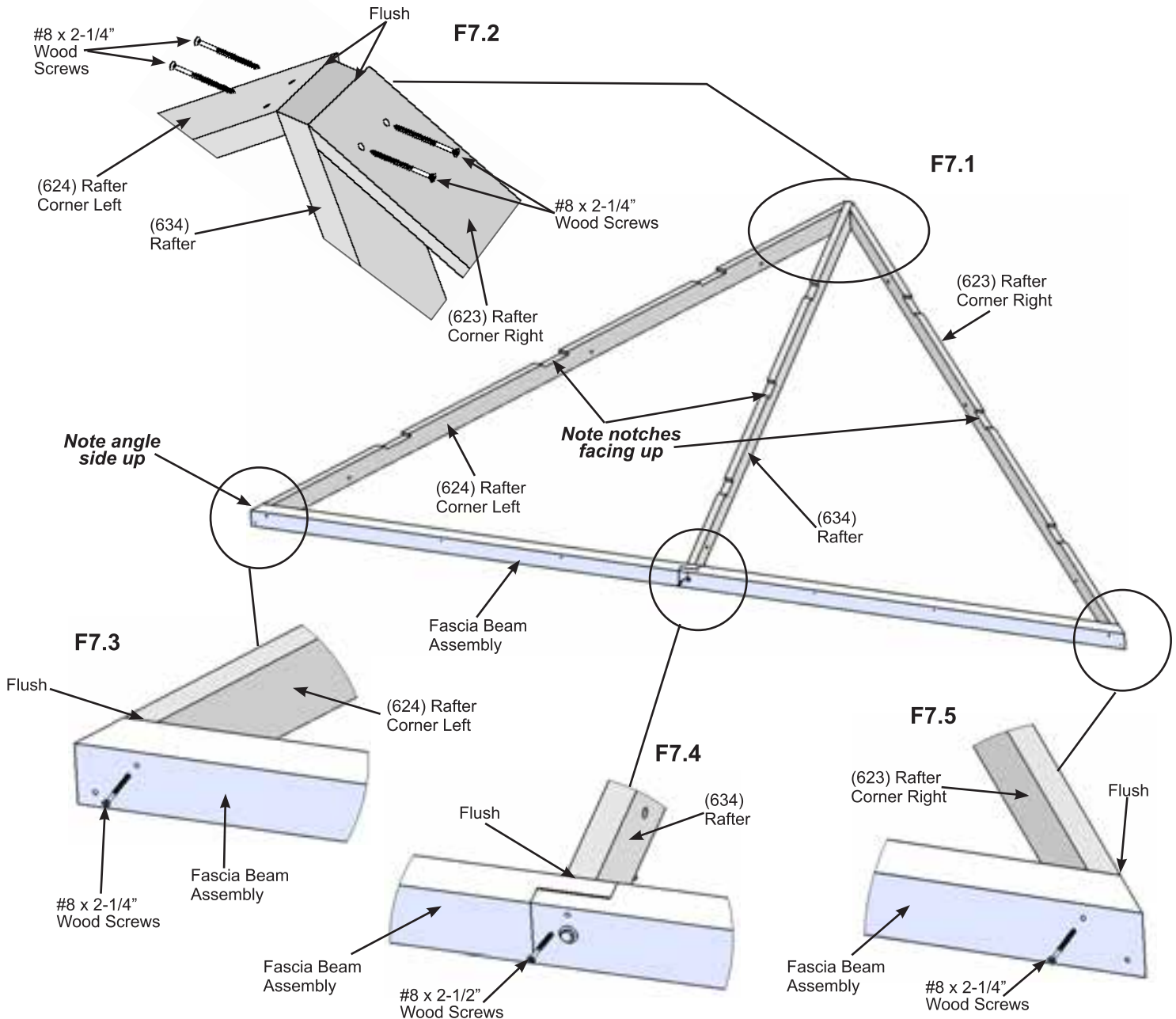
- 2 x 5/16 x 1-1/2" Hex Bolt
(5/16" lock washer, 1/4-5/16" large washer, 5/16" t-nut)

Step 7: Small Roof Assembly Part 1

A: On each side of one (634) Rafter place one (624) Rafter Corner Left and one (623) Rafter Corner Right so the tops and edges are flush then attach with two #8 x 2-1/4" Wood Screws per side. (F7.1 and F7.2)

B: Place Fascia Beam Assembly from Step 6 on the bottom of (624) Rafter Corner Left, (623) Rafter Corner Right and (634) Rafter so the sides are flush then attach with one #8 x 2-1/4" Wood Screw at each end and one #8 x 2-1/2" Wood Screw in the middle. (F7.1, F7.3, F7.4 and F7.5)

C: Repeat Steps A and B to make a second Small Roof Assembly.



Wood Parts

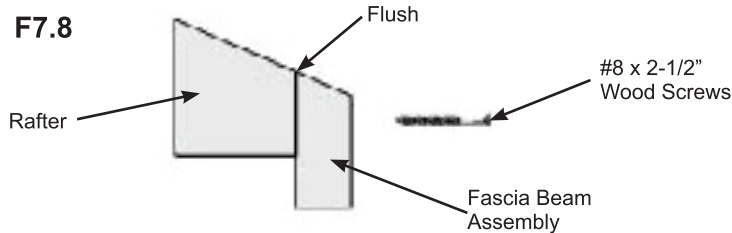
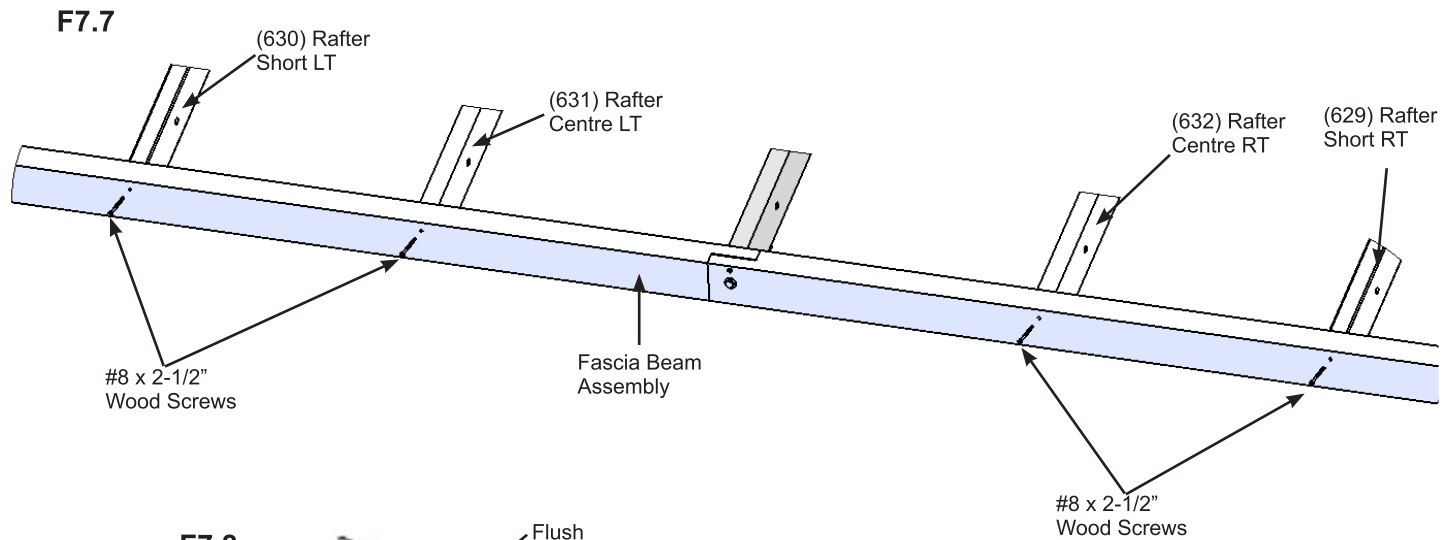
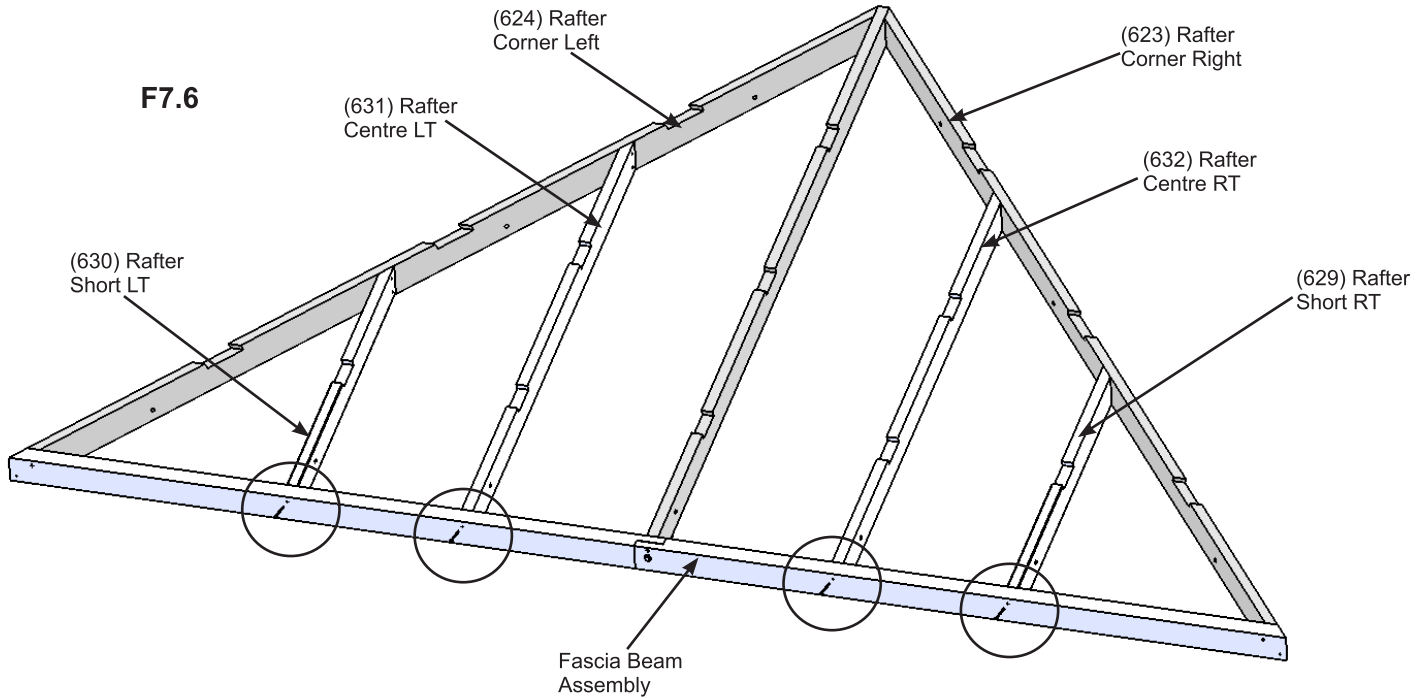
- 2 x (634) Rafter
- 2 x (623) Rafter Corner Right
- 2 x (624) Rafter Corner Left

Hardware

- 12 x #8 x 2-1/4" Wood Screw
- 2 x #8 x 2-1/2" Wood Screw

Step 7: Small Roof Assembly Part 2

D: Place one (629) Rafter Short RT, one (632) Rafter Centre RT, one (631) Rafter Centre LT and one (630) Rafter Short LT over the pilot holes in the Fascia Beam Assembly so they are flush to the top of the assembly and tight to both (623) Rafter Corner Right and (624) Rafter Corner Left, as shown in F7.6. Attach Fascia Beam Assembly to rafters with one #8 x 2-1/2" Wood Screw per rafter. Repeat for second Small Roof Assembly. (F7.6, F7.7 and F7.8)



Wood Parts

- 2 x (629) Rafter Short RT
- 2 x (630) Rafter Short LT
- 2 x (631) Rafter Centre LT
- 2 x (632) Rafter Centre RT

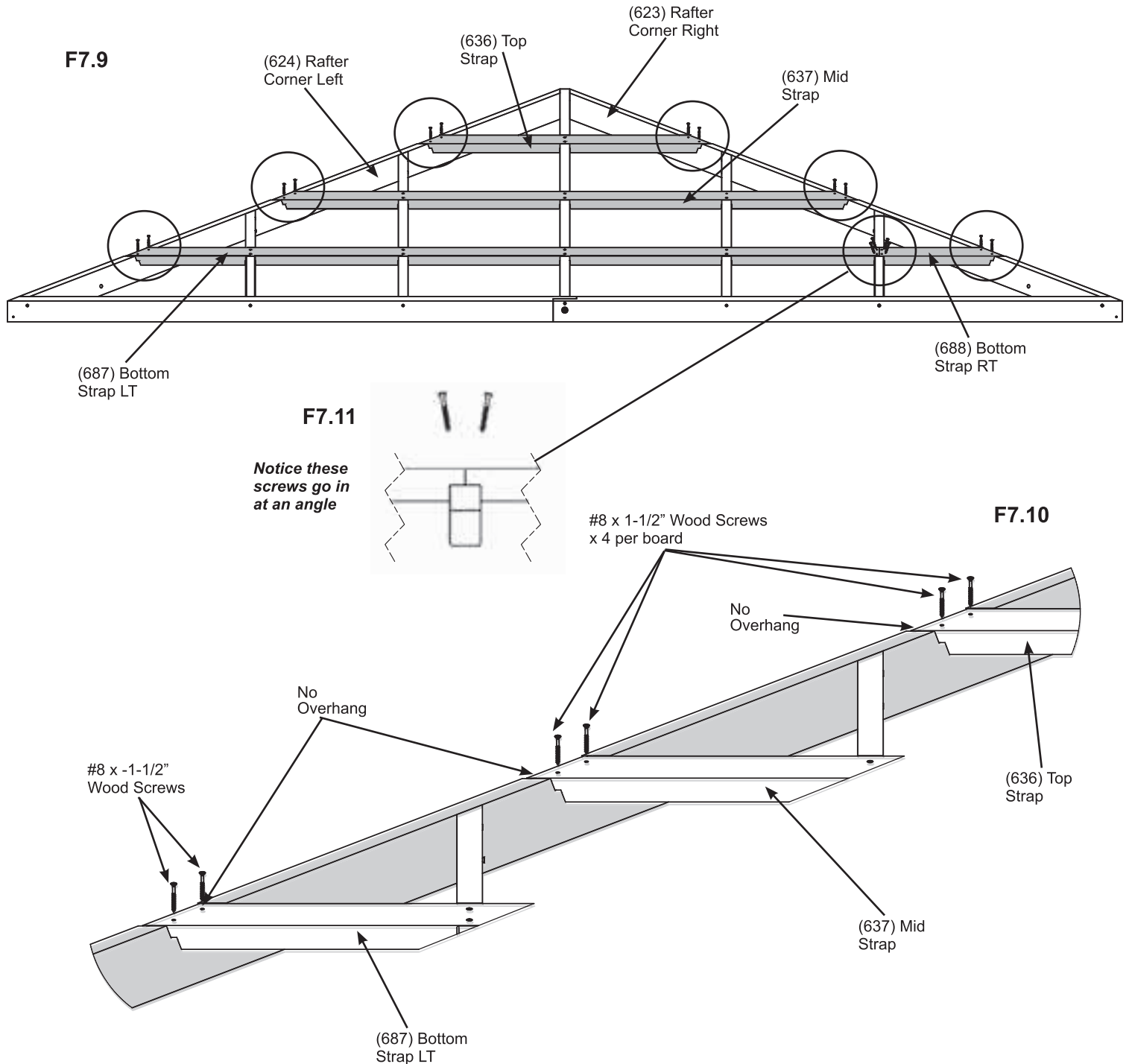
Hardware

- 8 x #8 x 2-1/2" Wood Screw

Step 7: Small Roof Assembly

Part 3

E: Place one (636) Top Strap, one (637) Mid Strap, one (687) Bottom Strap LT and one (688) Bottom Strap RT in the notches of each rafter so the ends do not overhang the outside edges of the outside boards. (687) Bottom Strap LT and (688) Bottom Strap RT sit tight together. Attach with four #8 x 1-1/2" Wood Screws per strap. Complete for each Small Roof Assembly. (F7.9, F7.10 and F7.11)



Wood Parts

- 2 x (636) Top Strap
- 2 x (637) Mid Strap
- 2 x (687) Bottom Strap LT
- 2 x (688) Bottom Strap RT

Hardware

- 32 x #8 x 1-1/2" Wood Screw

Step 7: Small Roof Assembly

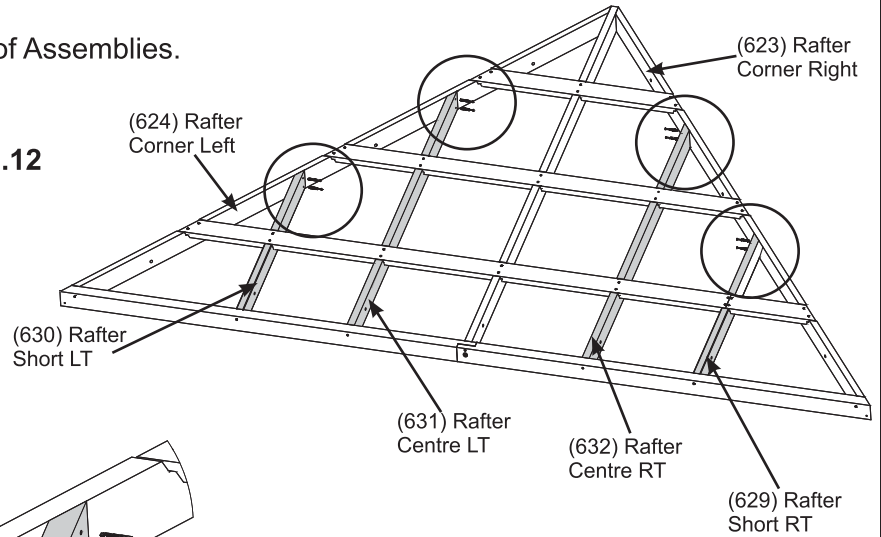
Part 4

F: Attach (629) Rafter Short RT and (632) Rafter Centre RT to (623) Rafter Corner Right and (631) Rafter Centre LT and (630) Rafter Short LT to (624) Rafter Corner Left with two #8 x 1-1/2" Wood Screw per rafter. (F7.12 and F7.13)

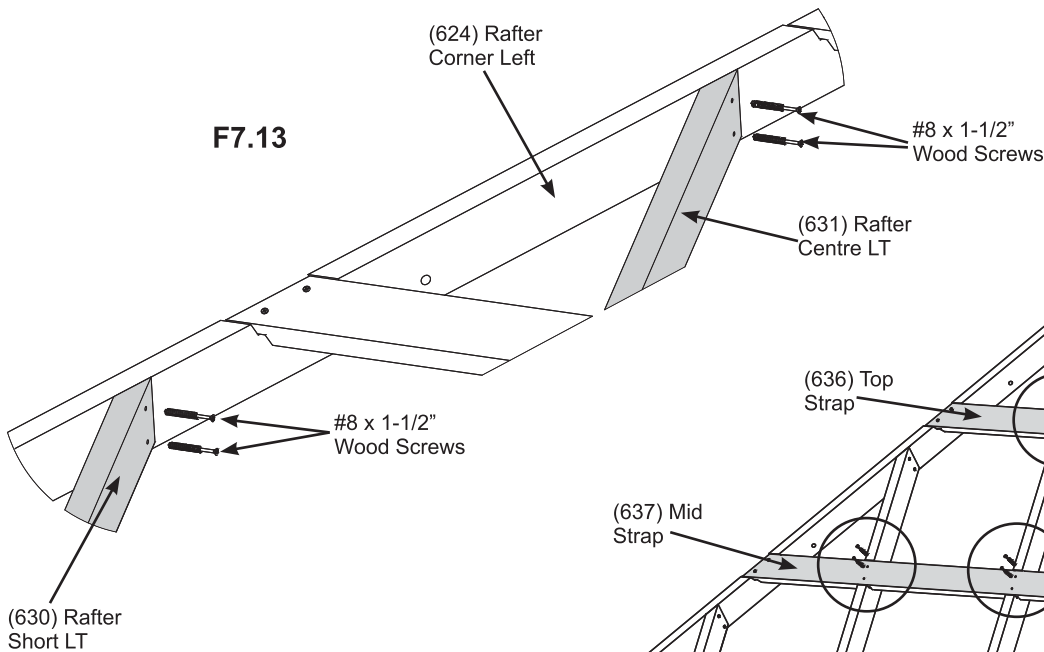
G: Attach (636) Top Strap, (637) Mid Strap and (687) Bottom Strap LT to rafters with 16 #8 x 1-1/2" Wood Screws. (F7.14)

H: Complete Steps F and G for both Small Roof Assemblies.

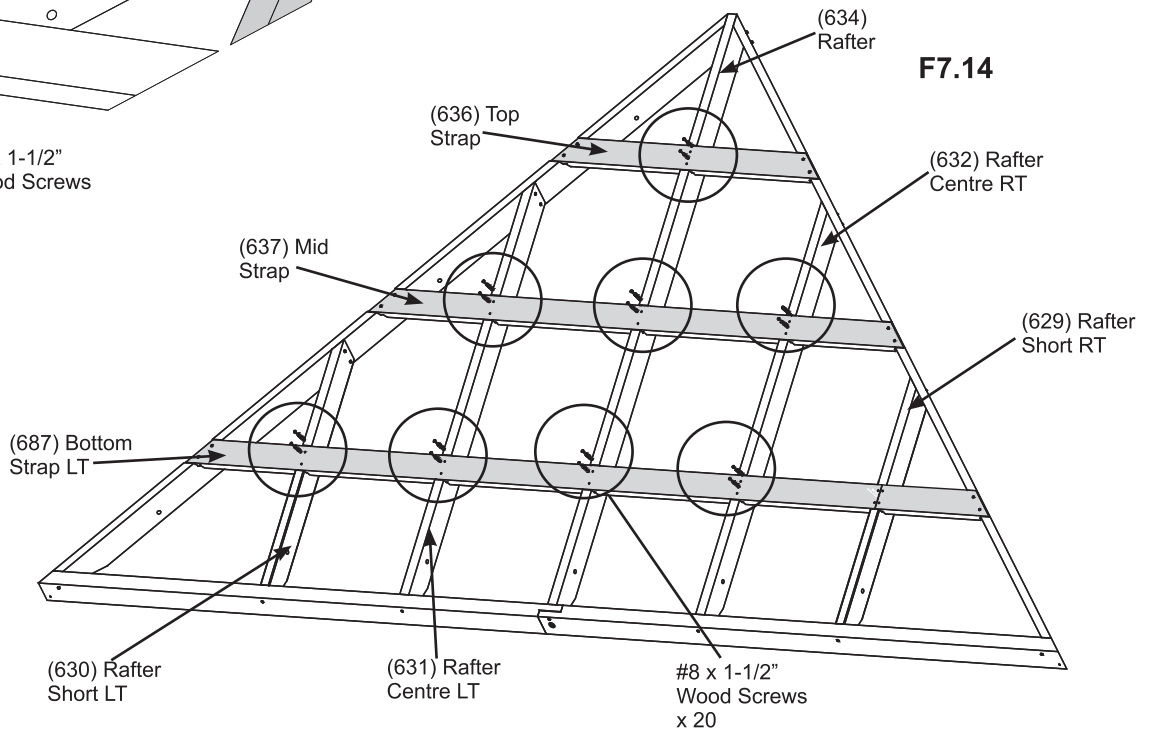
F7.12



F7.13



F7.14

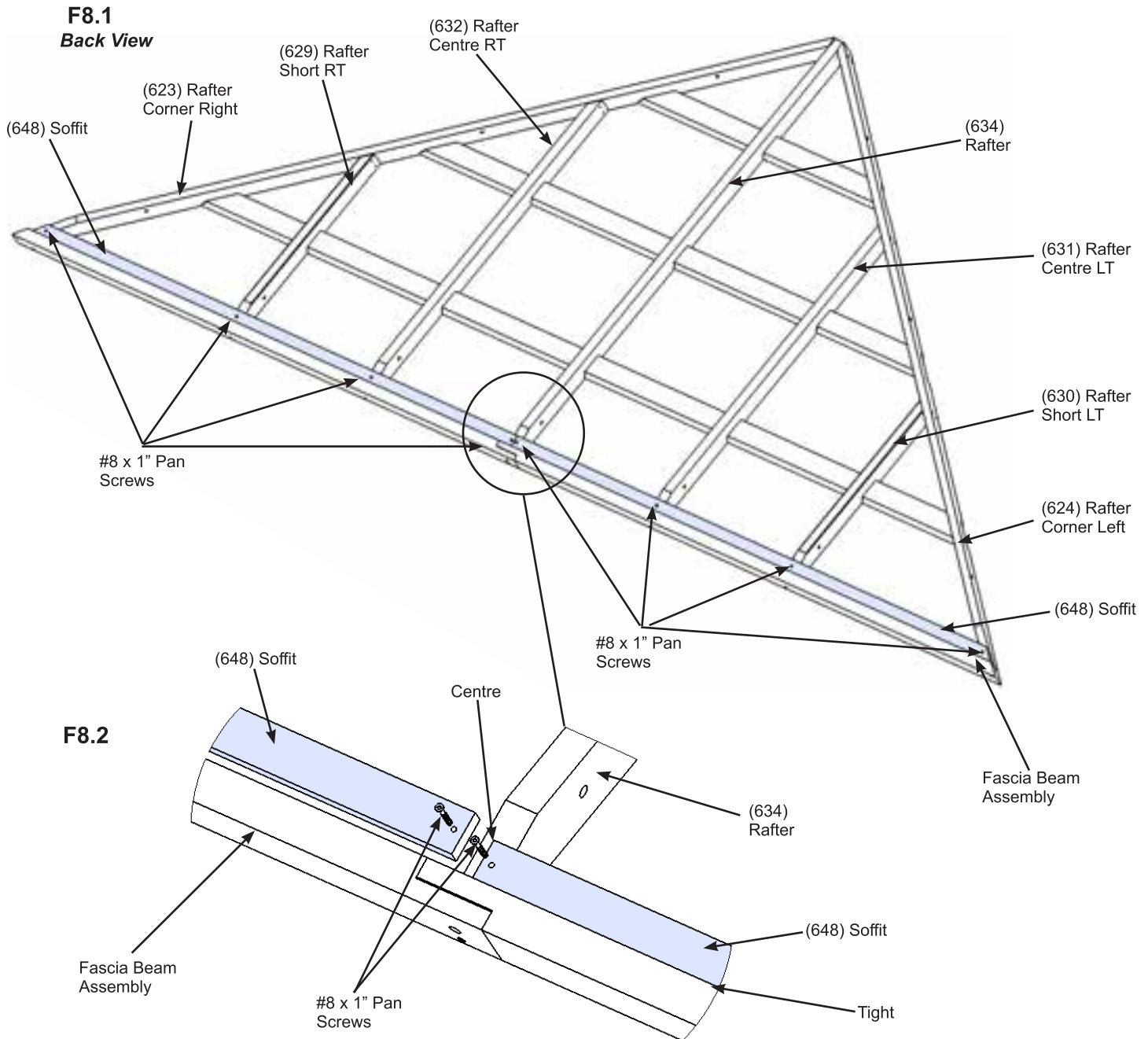


Hardware

48 x #8 x 1-1/2" Wood Screw

Step 8: Attach Soffits - Small Roof Assembly

A: Turn over each Small Roof Assembly then place two (648) Soffits tight together at centre of (634) Rafter and tight to the top of Fascia Beam Assembly. Attach (648) Soffits to (634) Rafter, (623) Rafter Corner Right, (624) Rafter Corner Left, (629) Rafter Short RT, (630) Rafter Short LT, (632) Rafter Centre RT and (631) Rafter Centre LT with four #8 x 1" Pan Screws per soffit. (F8.1 and F8.2)

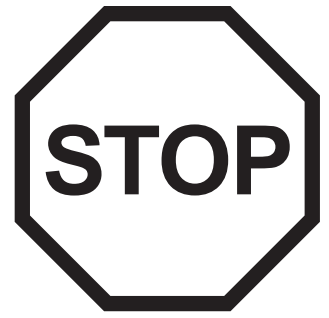
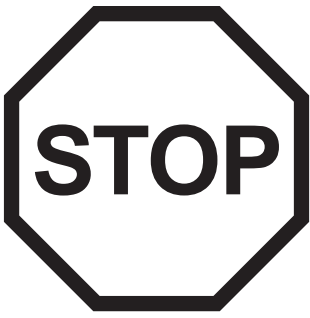


Wood Parts

4 x (648) Soffit

Hardware

16 x #8 x 1" Pan Screw



INSTALLING ROOFING MATERIAL

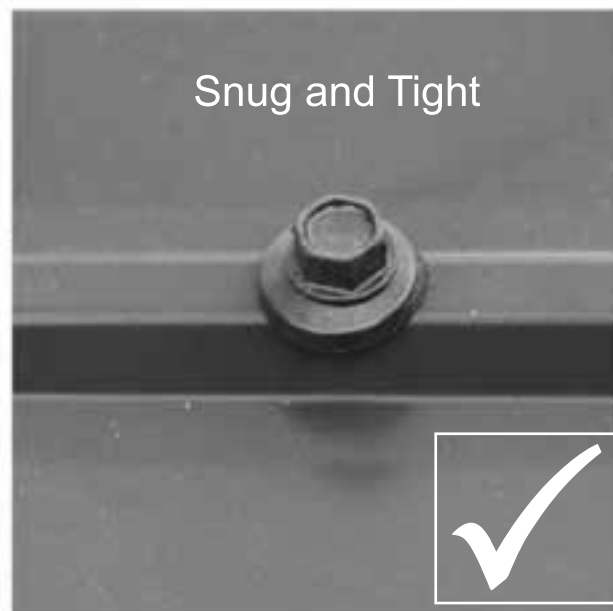
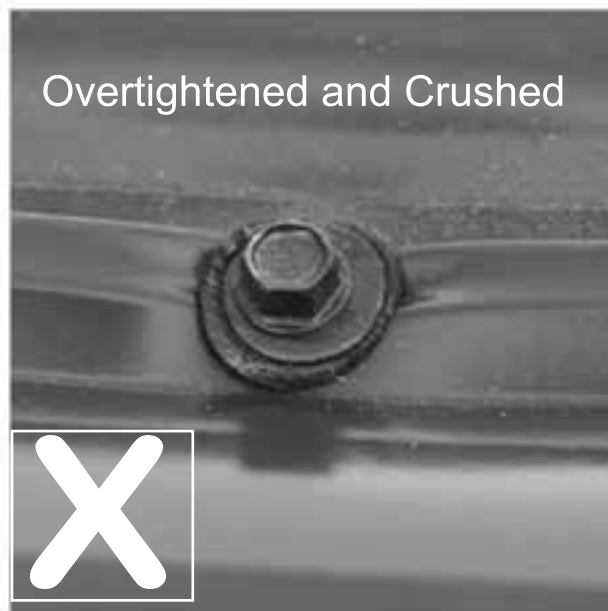
CAUTION!

Roofing material may have sharp edges! Wear gloves!

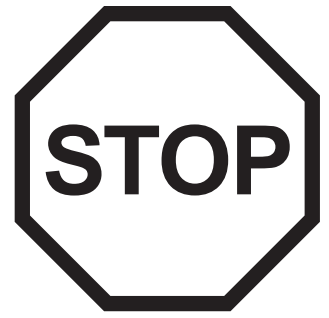
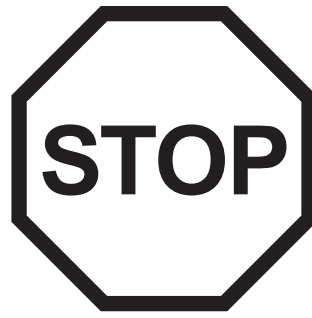
HANDLE WITH CARE!

Place roofing material on a non-abrasive surface before assembly as it can bend, dent and scratch easily.

**WARNING – DO NOT OVER TIGHTEN ROOFING SCREWS!
Over tightening screws will cause roofing material to crush.**



The roofing screws can easily crush the Roof Panels and Roof Edges when using a power drill. We recommend hand tightening the roofing screws so that they sit snug and tight to the roofing material.

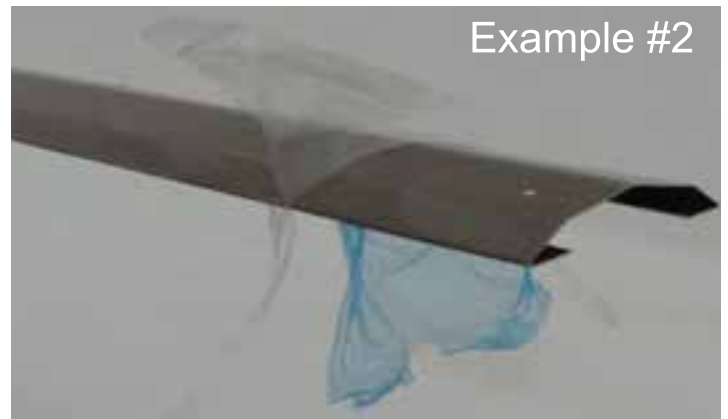


INSTALLING ROOFING MATERIAL

CAUTION!

Roofing material may have sharp edges! Wear gloves!

BE SURE TO REMOVE ALL PLASTIC COVERING, ON BOTH SIDES OF THE ALUMINUM PANELS AND TRIM, DIRECTLY BEFORE INSTALLING EACH PIECE. *(One side is clear and the other is blue, both must be removed.)*



Step 9: Attach Roof Panels - Small Roof Assembly Part 1

A: Place one Long Panel Left on the front of one Small Roof Assembly so it is flush to the side of (624) Rafter Corner Left and a slight overhang at the bottom of the Fascia Beam Assembly. Centre holes should line up with (634) Rafter. (F9.1 and F9.2)

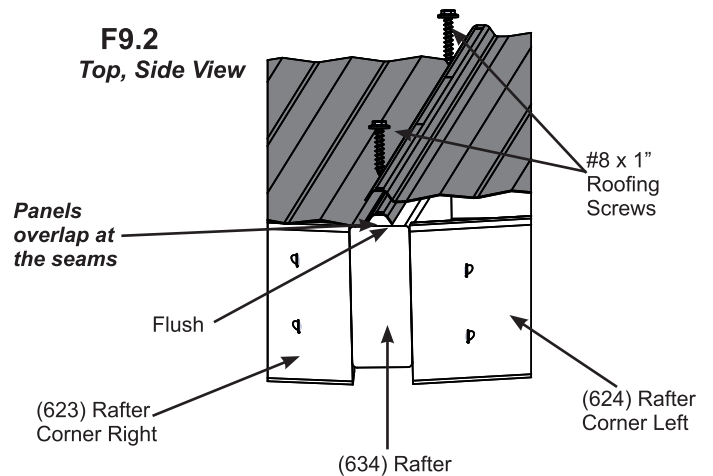
B: Place one Long Panel Right on Small Roof Assembly so it overlaps the Long Panel Left and it is flush to the side of (623) Rafter Corner Right and a slight overhang at the bottom of the Fascia Beam Assembly. (F9.1 and F9.2)

C: Attach both Left and Right Long Panels to Small Roof Assembly with four #8 x 1" Roofing Screws in locations shown in F9.1 and F9.2. Be sure not to overtighten screws.

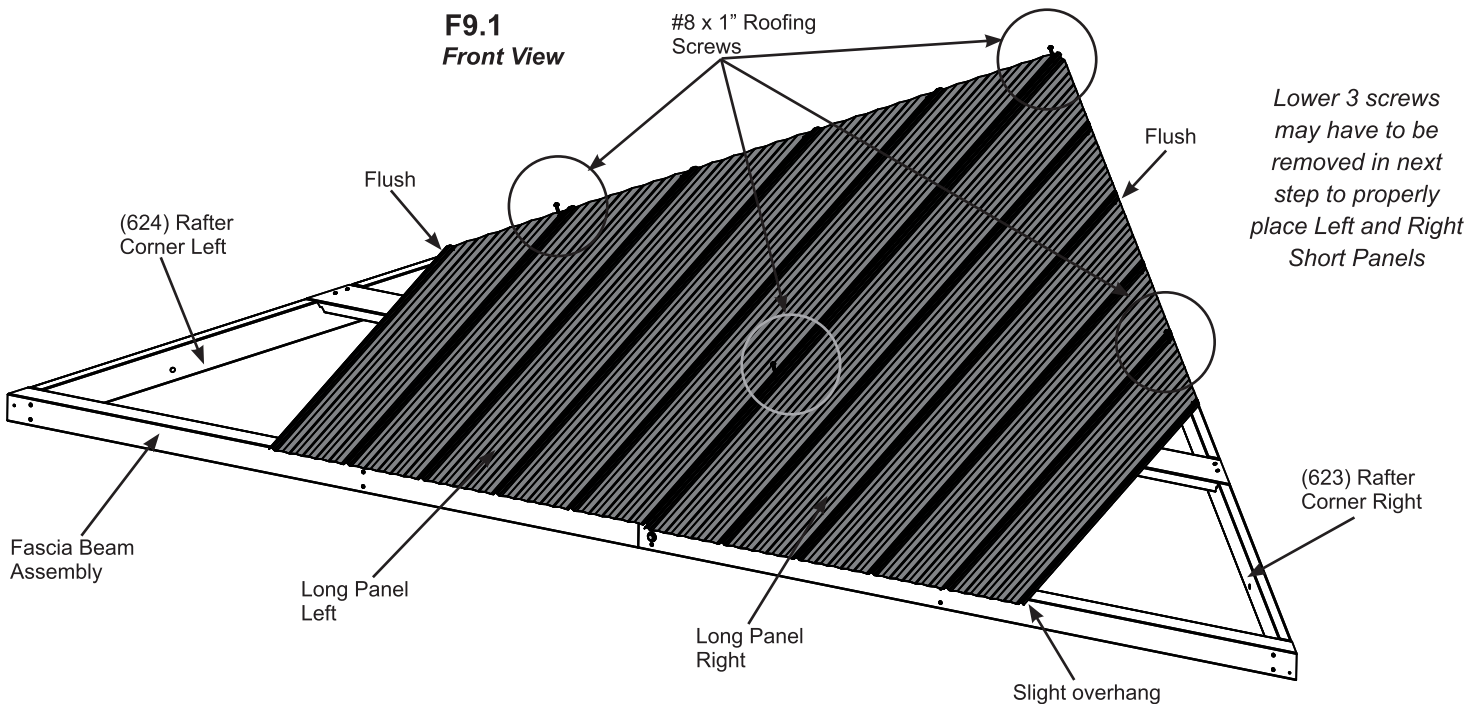
D: Repeat Steps A - C for both Small Roof Assemblies.

DO NOT overtighten screws, could cause damage to roofing material

F9.2
Top, Side View



F9.1
Front View



Roof Parts

- 2 x Long Panel Left
- 2 x Long Panel Right

Hardware

- 8 x #8 x 1" Roofing Screw

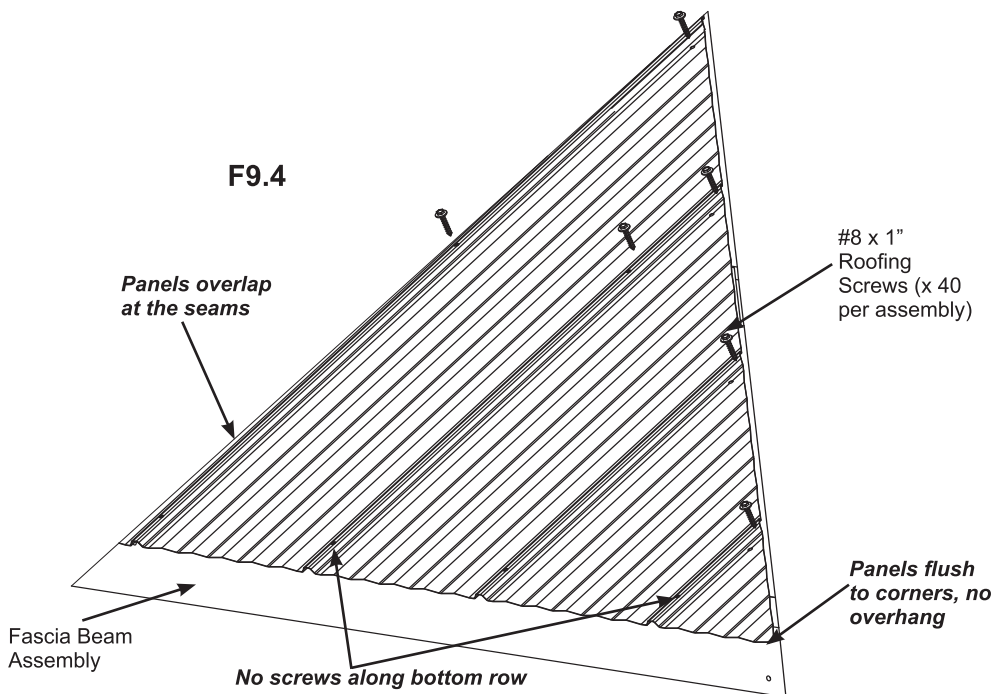
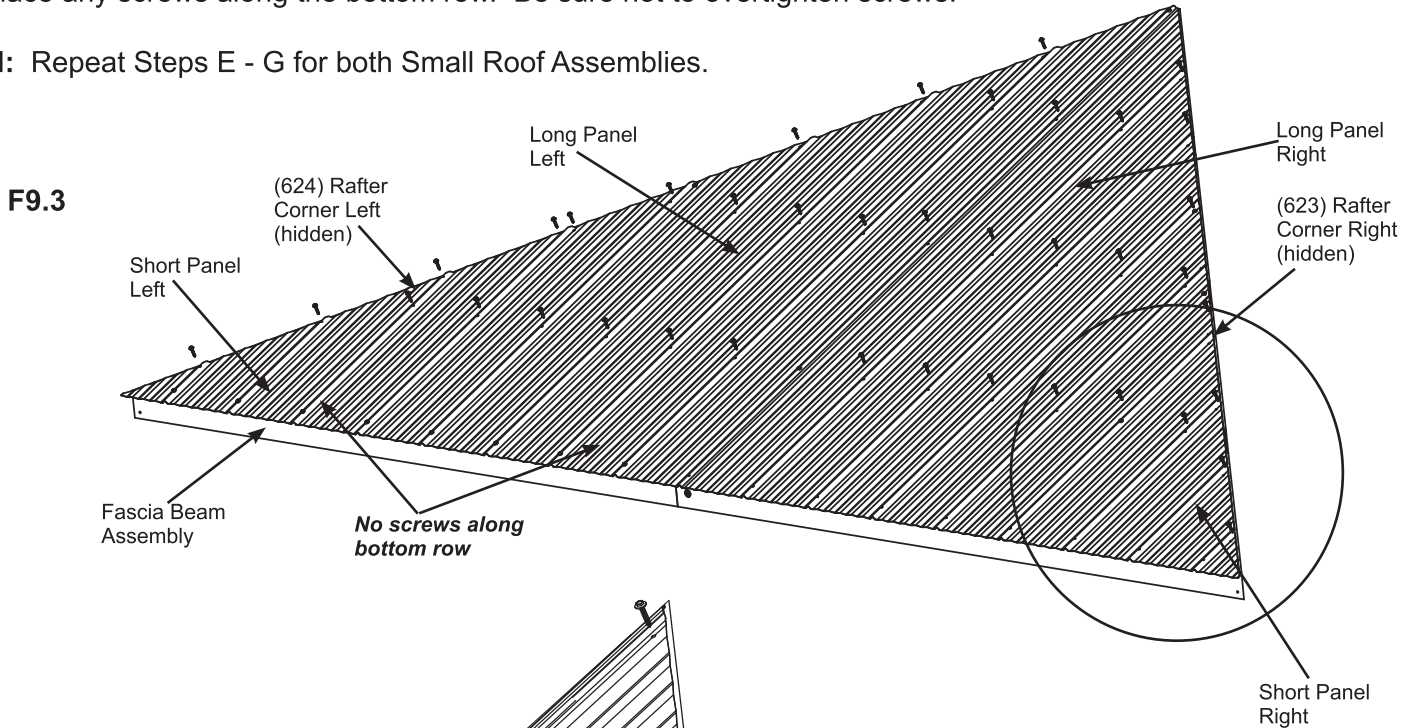
Step 9: Attach Roof Panels - Small Roof Assembly Part 2

E: Place one Short Panel Left on Small Roof Assembly so it overlaps the Long Panel Left and it is flush to the sides of (624) Rafter Corner Left and a slight overhang at the bottom of the Fascia Beam Assembly. There should be no overhang at the corners. (F9.3 and F9.4)

F: Place one Short Panel Right on Small Roof Assembly so it overlaps the Long Panel Right and it is flush to the side of (623) Rafter Corner Right and a slight overhang at the bottom of the Fascia Beam Assembly. There should be no overhanging at the corners. (F9.3 and F9.4)

G: Attach all panels to Small Roof Assembly with 40 #8 x 1" Roofing Screws in locations shown in F9.3. Do not place any screws along the bottom row. Be sure not to overtighten screws.

H: Repeat Steps E - G for both Small Roof Assemblies.



DO NOT overtighten screws, could cause damage to roofing material

Roof Parts

- 2 x Short Panel Left
- 2 x Short Panel Right

Hardware

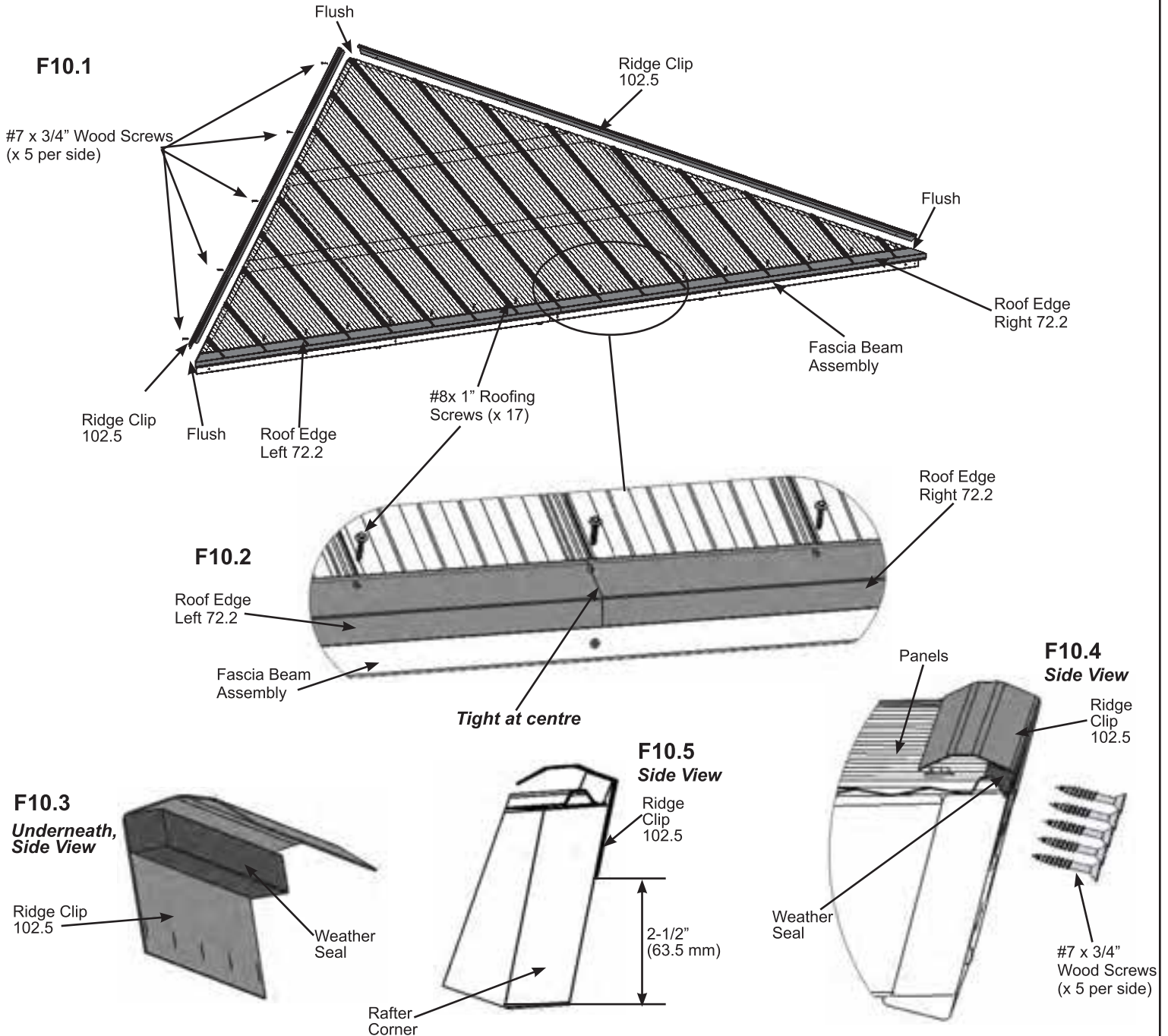
- 80 x #8 x 1" Roofing Screw

Step 10: Attach Ridge Clips and Roof Edges - Small Roof Assembly



A: Place one Roof Edge Left 72.2 and one Roof Edge Right 72.2 on the bottom of each Small Roof Assembly so the ends are flush with the outside ends of the Fascia Beam Assembly and meet tight in the centre. Attach both Roof Edges with 17 #8 x 1" Roofing Screws per Small Roof Assembly. (F10.1 and F10.2)

B: Place one Weather Seal on the inside of four Ridge Clip 102.5 then place one Ridge Clip 102.5 on each side of each Small Roof Assembly so they cover the panels. The bottom edge of each Ridge Clip 102.5 should be 2-1/2" (63.5 mm) up from the bottom edge of (623) Rafter Corner Right and (624) Rafter Corner Left. Attach with five #7 x 3/4" Wood Screws per Ridge Clip 102.5. (F10.1, F10.3, F10.4 and F10.5)



Components:

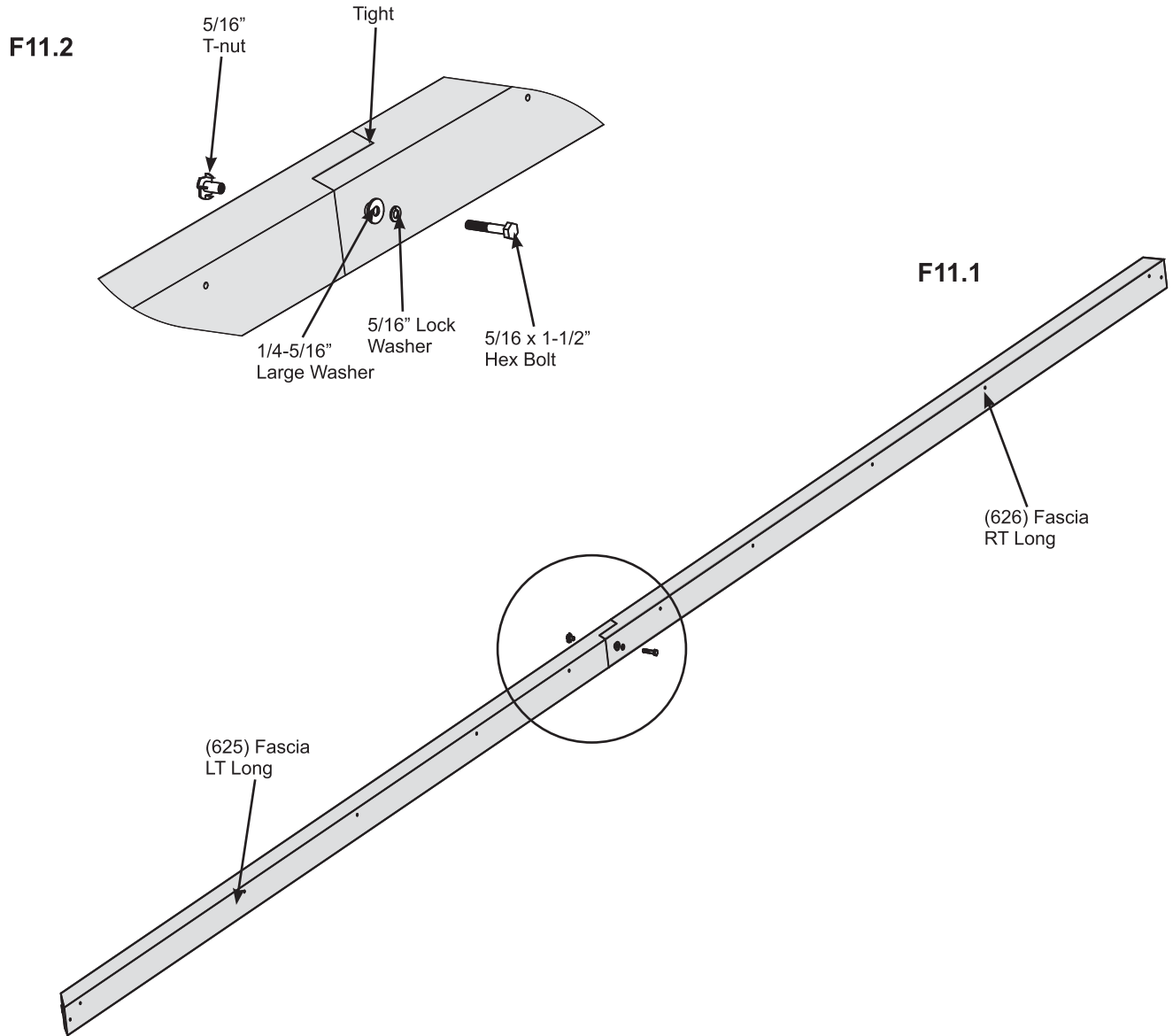
- 2 x Roof Edge Left 72.2
- 2 x Roof Edge Right 72.2
- 4 x Ridge Clip 102.5
- 4 x Weather Seal

Hardware

- 34 x #8 x 1" Roofing Screw
- 20 x #7 x 3/4" Wood Screw

Step 11: Fascia Beam Assembly - Large Roof Assembly

A: Tightly connect one (625) Fascia LT Long and one (626) Fascia RT Long using one 5/16 x 1-1/2" Hex Bolt (with 5/16" lock washer, 1/4-5/16" large washer and 5/16" t-nut) as shown in F11.1 and F11.2. Repeat to make a second Large Fascia Beam Assembly.



Wood Parts

- 2 x (625) Fascia LT Long
- 2 x (626) Fascia RT Long

Hardware

- 2 x 5/16 x 1-1/2" Hex Bolt
(5/16" lock washer, 1/4-5/16" large washer, 5/16" t-nut)

Step 12: Large Roof Assembly Part 1

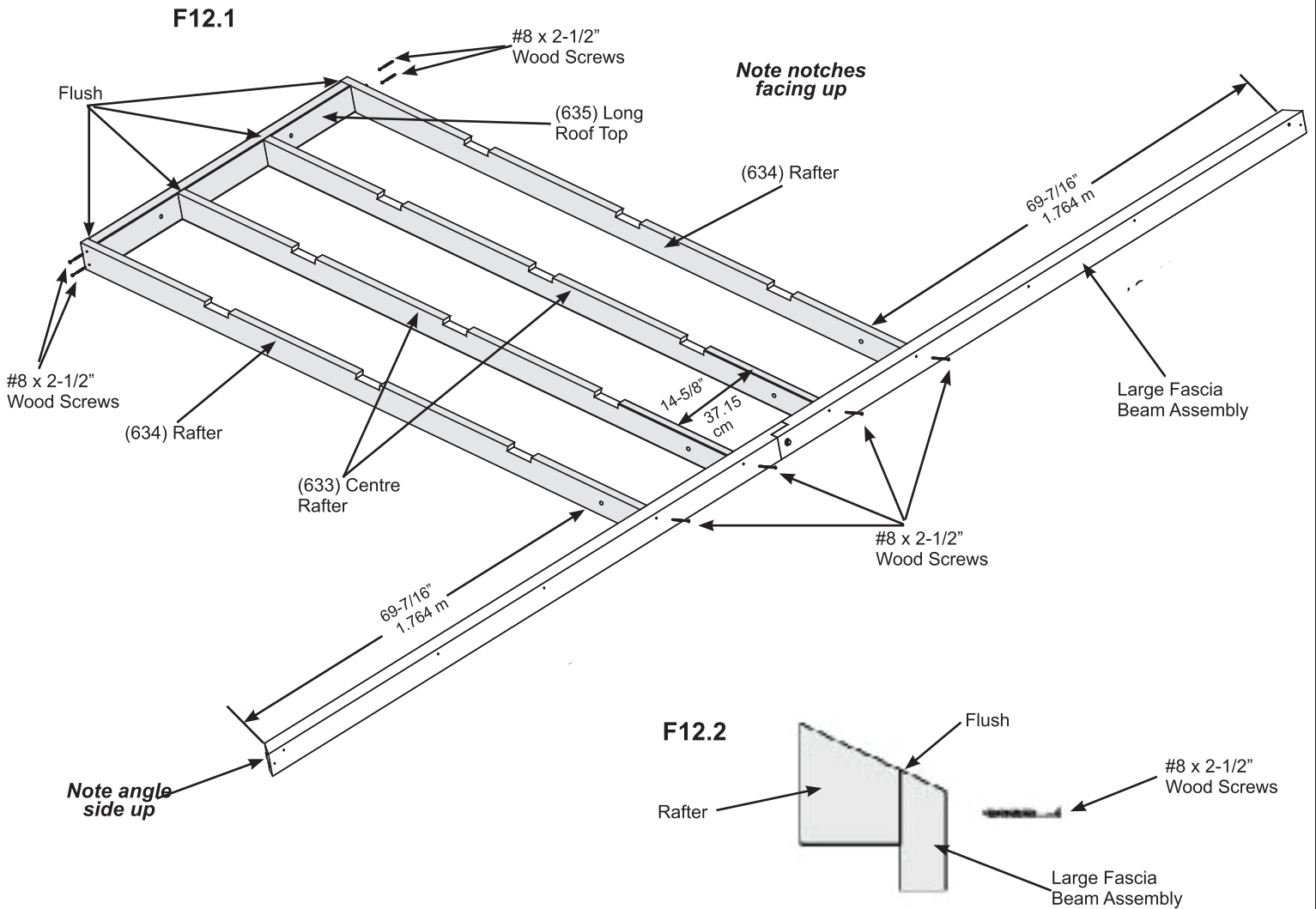


A: Place one (635) Long Roof Top in between both (634) Rafters. (635) Long Roof Top to be flush to the tops to the ends of each (634) Rafter. Attach each (634) Rafter to (635) Long Roof Top with two #8 x 2-1/2" Wood Screws per Rafter. (F12.1)

B: Measure 69-7/16" (1.764 m) from the inside ends of the Large Fascia Beam Assembly then place one (634) Rafter over each pilot hole, flush to the top of the Large Fascia Beam Assembly and attach with one #8 x 2-1/2" Wood Screw per rafter. (F12.1 and F12.2)

C: In between both (634) Rafters place two (633) Centre Rafters so the tops are flush to the top of the Large Fascia Beam Assembly and the distance between (633) Centre Rafters measures 14-5/8" (37.15 cm) then attach with one #8 x 2-1/2" Wood Screws per rafter. (F12.1 and F12.2)

D: Repeat Steps A - C to make a second Large Roof Assembly.



Wood Parts

- 4 x (633) Centre Rafter
- 4 x (634) Rafter
- 2 x (635) Long Roof Top

Hardware

- 16 x #8 x 2-1/2" Wood Screw

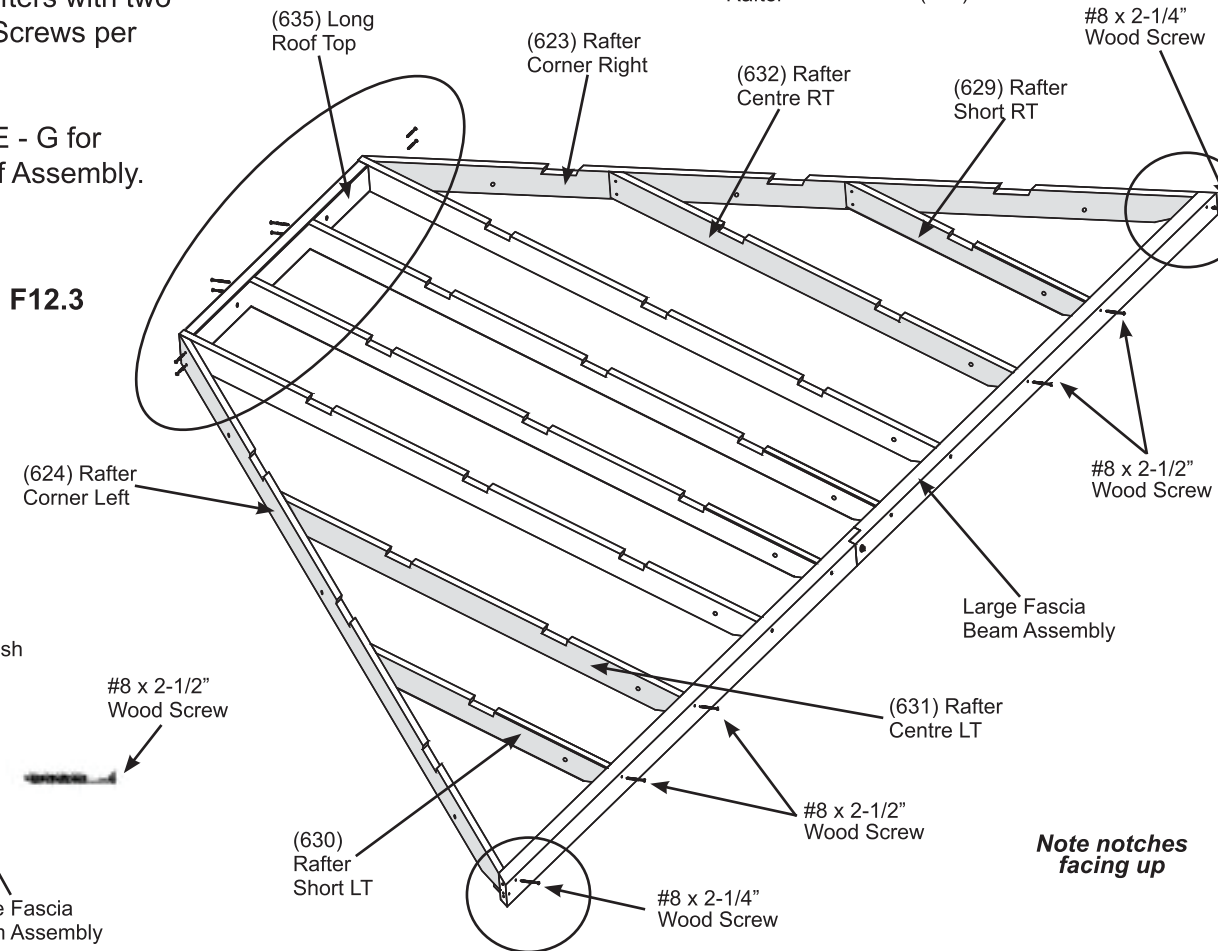
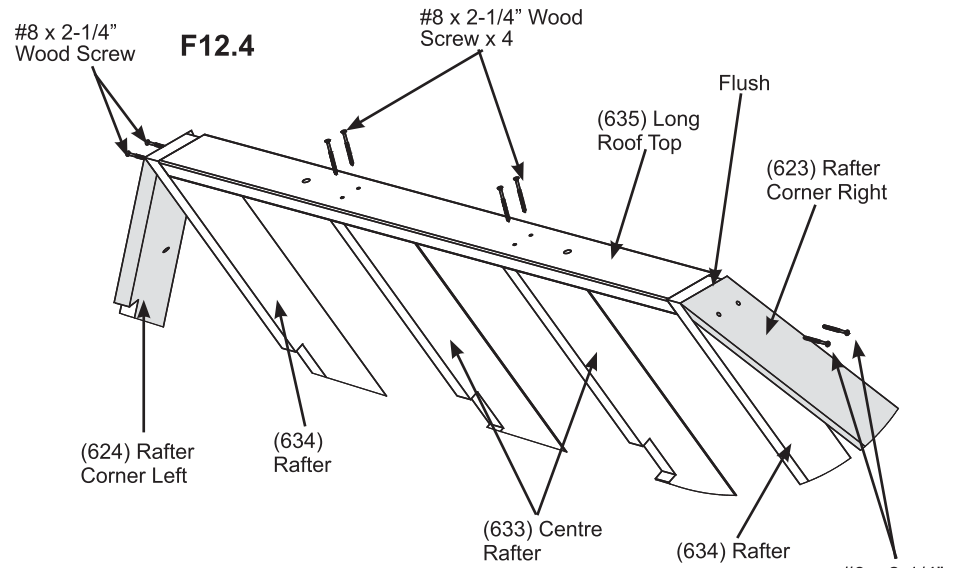
Step 12: Large Roof Assembly Part 2

E: On the sides of Large Fascia Beam Assembly place one (624) Rafter Corner Left and one (623) Rafter Corner Right so the tops and edges are flush then attach to (634) Rafters with two #8 x 2-1/4" Wood Screws per board and to Large Fascia Beam Assembly with one #8 x 2-1/4" Wood Screw per board. (F12.3, F12.4 and F12.5)

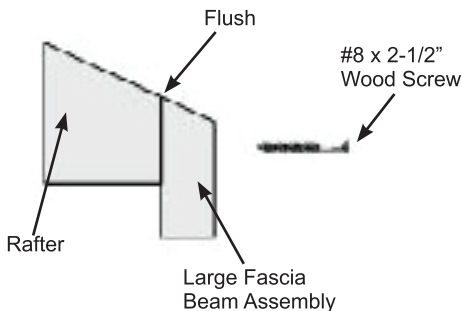
F: Place one (629) Rafter Short RT, one (632) Rafter Centre RT, one (631) Rafter Centre LT and one (630) Rafter Short LT over the pilot holes in the Large Fascia Beam Assembly so they are flush to the top of the assembly and tight to both (623) Rafter Corner Right and (624) Rafter Corner Left, as shown in F12.3. Attach Large Fascia Beam Assembly to rafters with one #8 x 2-1/2" Wood Screw per rafter. (F12.3 and F12.5)

G: Attach (635) Long Roof Top to (633) Centre Rafters with two #8 x 2-1/4" Wood Screws per rafter. (F12.4)

H: Repeat Steps E - G for second Large Roof Assembly.



F12.5



Wood Parts

2 x (623) Rafter Corner Right	2 x (630) Rafter Short LT
2 x (624) Rafter Corner Left	2 x (631) Rafter Centre LT
2 x (629) Rafter Short RT	2 x (632) Rafter Centre RT

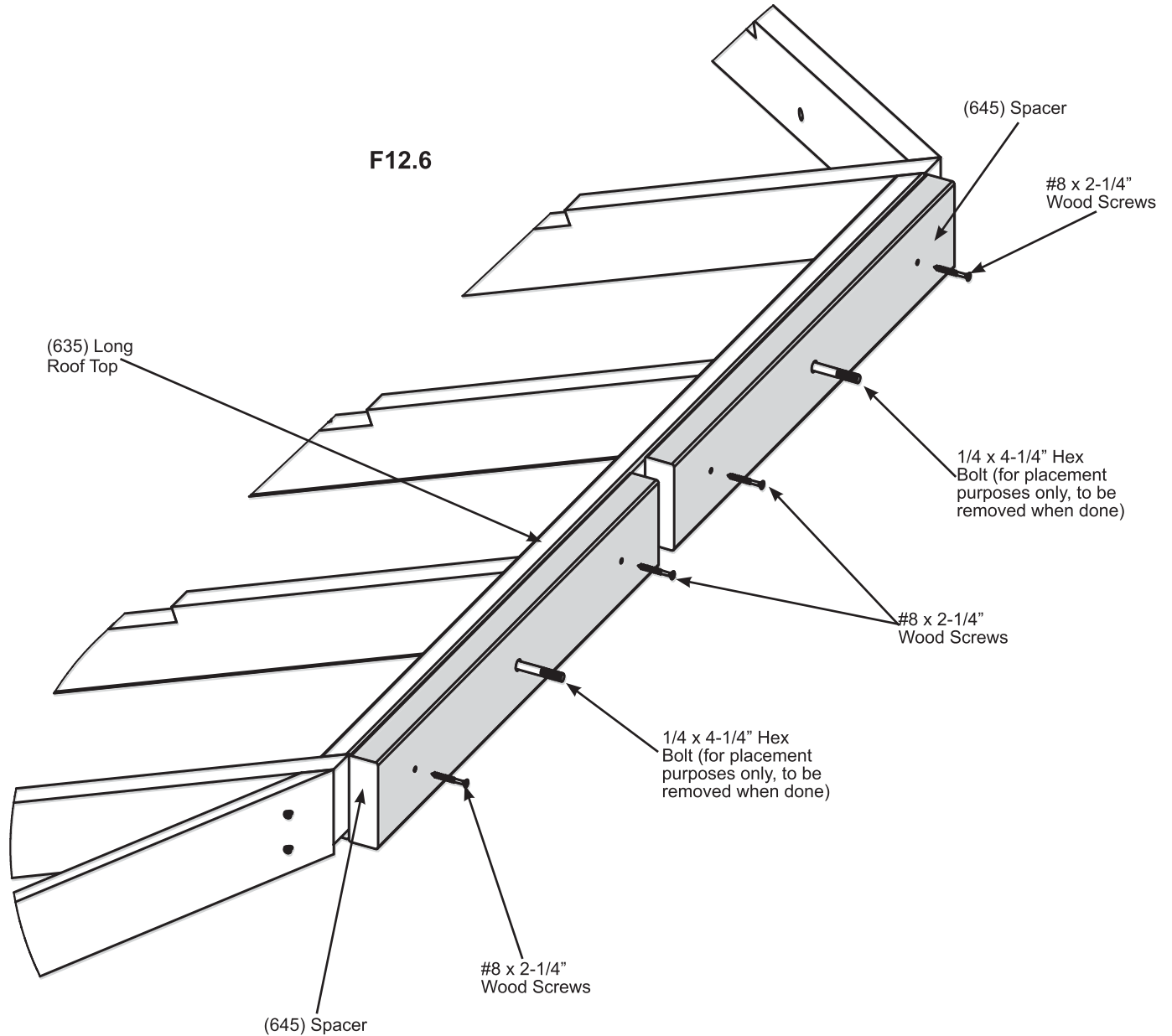
Hardware

20 x #8 x 2-1/4" Wood Screw
8 x #8 x 2-1/2" Wood Screw

Step 12: Large Roof Assembly

Part 3

I: On only one Large Roof Assembly, place two (645) Spacers on (635) Long Roof Top. To find the correct placement of each spacer insert one 1/4 x 4-1/4" Hex Bolt through (635) Long Roof Top into each (645) Spacer. The bolts are for placement only, they are to be removed at the end of this step. Attach each spacer to (635) Long Roof Top with two #8 x 2-1/4" Wood Screws per spacer. Remove bolts, to be used in Step 18. (F12.6)



Wood Parts

2 x (645) Spacer

Hardware

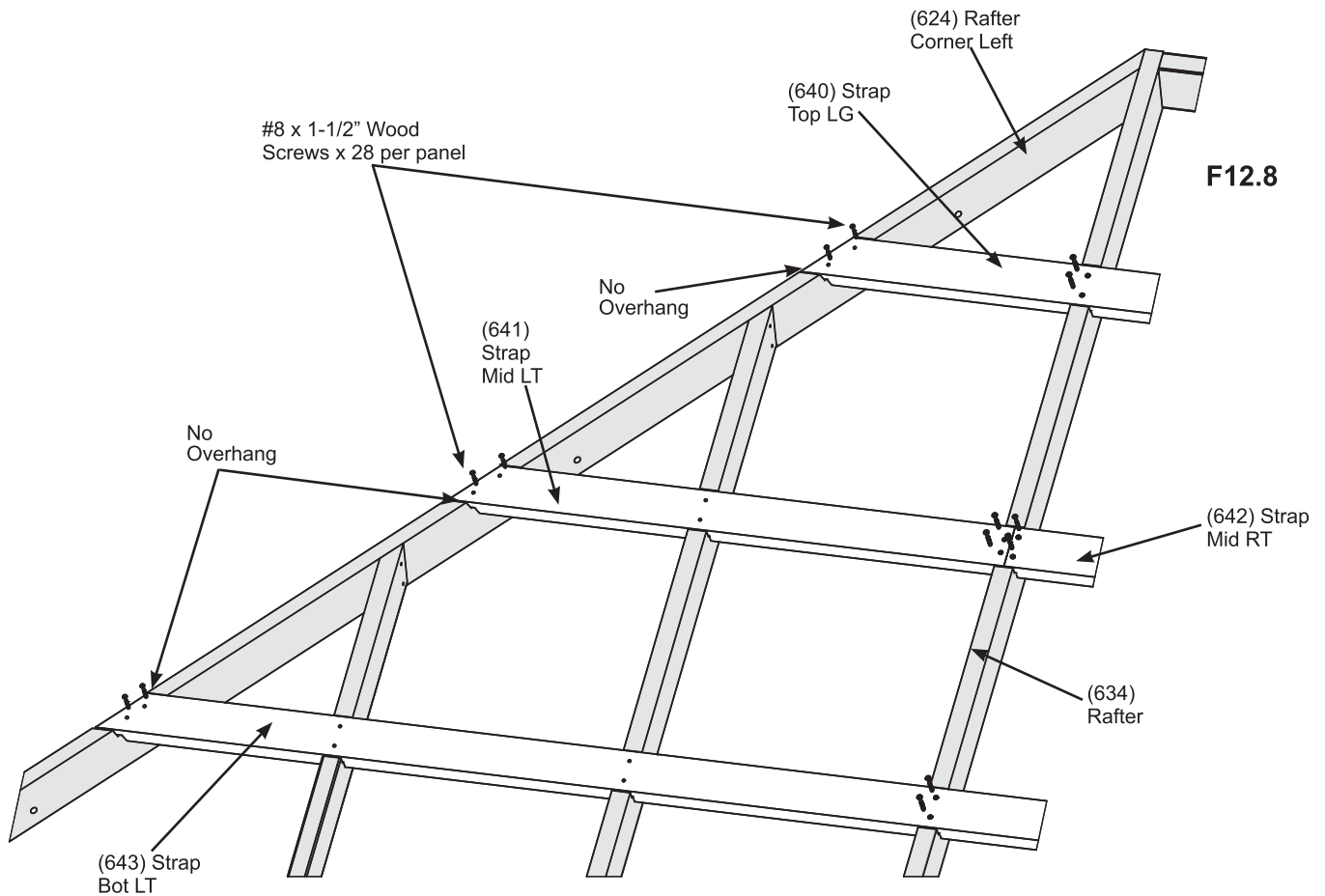
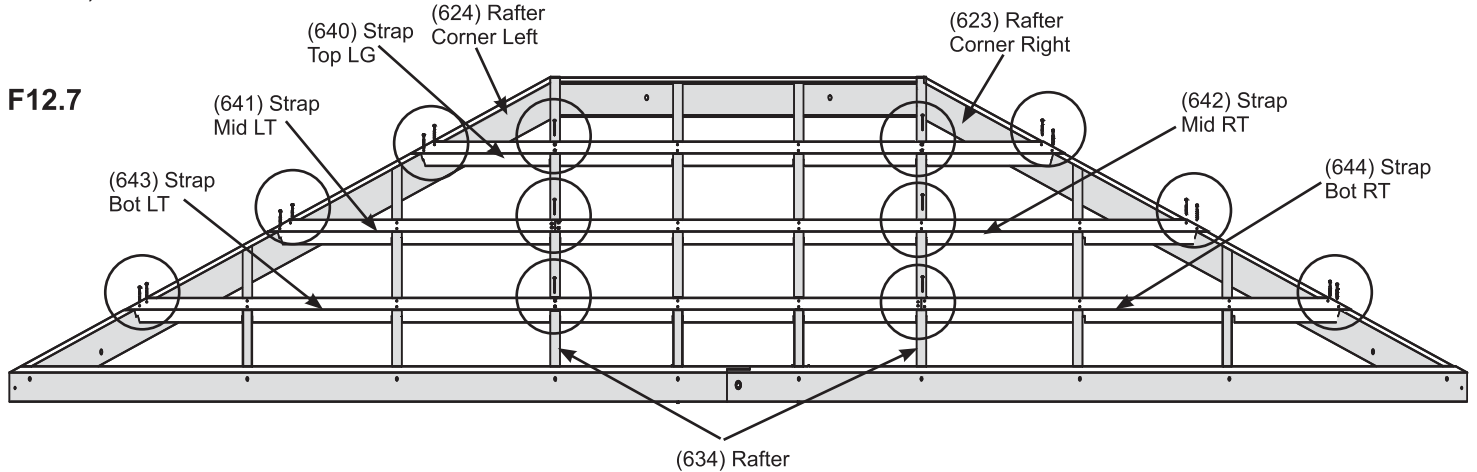
4 x #8 x 2-1/4" Wood Screw

2 x 1/4 x 4-1/4" Hex Bolt
(for placement purposes only)

Step 12: Large Roof Assembly

Part 4

E: Place one (640) Strap Top LG, one (641) Strap Mid LT, one (642) Strap Mid RT, one (643) Strap Bot LT and one (644) Strap Bot RT in the notches of each rafter so the ends do not overhang the outside edges of the outside boards. (641) Strap Mid LT and (642) Strap Mid RT sit tight together and (643) Strap Bot LT and (644) Strap Bot RT sit tight together. Attach to (623) Rafter Corner Right, (624) Rafter Corner Left and each (634) Rafter with 28 #8 x 1-1/2" Wood Screws as shown below. Complete for each Large Roof Assembly. (F12.7 and F12.8)



Wood Parts

- 2 x (640) Strap Top LG
- 2 x (641) Strap Mid LT
- 2 x (642) Strap Mid RT
- 2 x (643) Strap Bot LT
- 2 x (644) Strap Bot RT

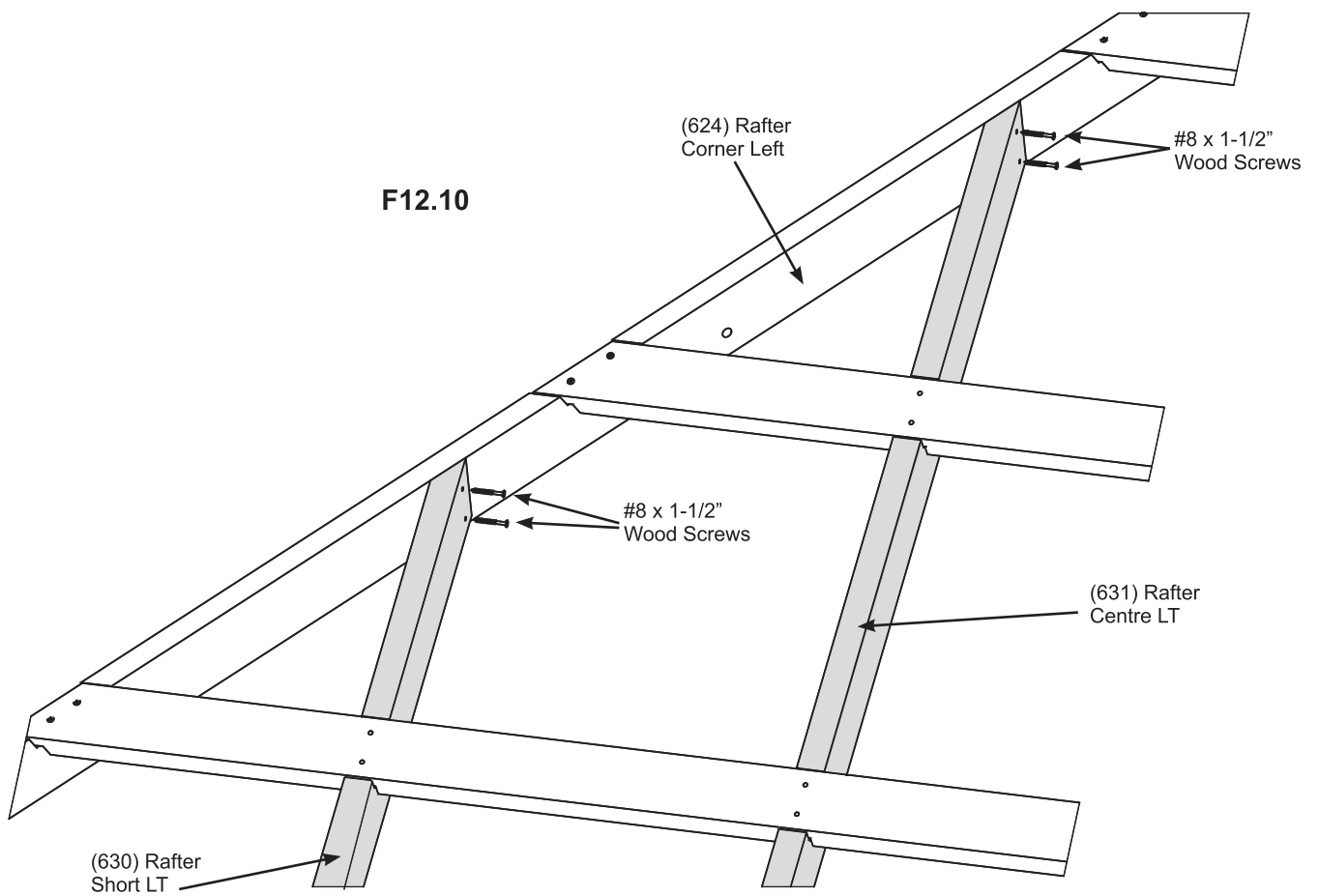
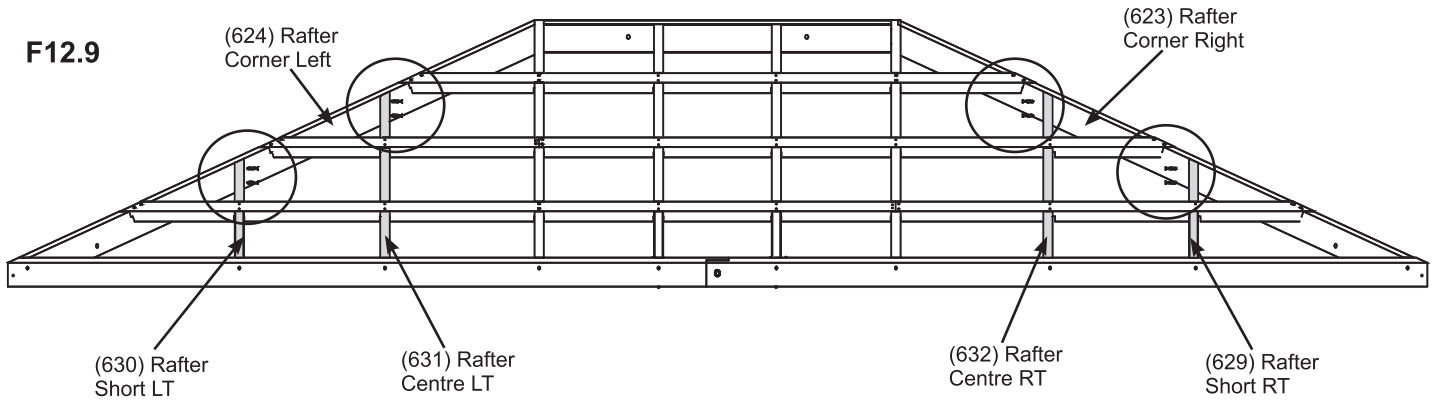
Hardware

- 56 x #8 x 1-1/2" Wood Screw

Step 12: Large Roof Assembly

Part 5

F: Attach (629) Rafter Short RT and (632) Rafter Centre RT to (623) Rafter Corner Right and (631) Rafter Centre LT and (630) Rafter Short LT to (624) Rafter Corner Left with two #8 x 1-1/2" Wood Screw per rafter. Complete for each Large Roof Assembly. (F12.9 and F12.10)



Hardware

16 x #8 x 1-1/2" Wood Screw