

12'x16' MERIDIAN WOOD GAZEBO

with ALUMINUM ROOF

Installation and Operating Instructions – YM11915



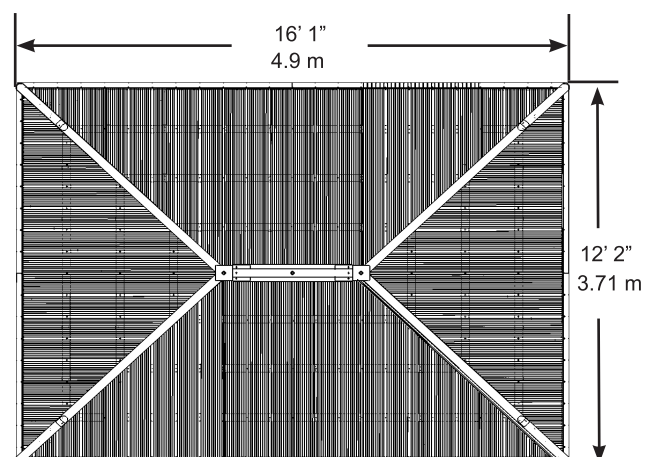
IMPORTANT, RETAIN FOR FUTURE REFERENCE: READ CAREFULLY

HEIGHT:
10'4" / 3.15m

Revised 05-14-2020

**YARDISTRY**[®]

Yardistry – North America
Toll Free Customer Support:
1.888.509.4382
info@yardistrystructures.com
www.yardistrystructures.com



Important Safety Notice!

Yardistry components are intended for privacy, decorative and ornamental use only.

Product is NOT INTENDED for the following:

- A safety barrier to prevent unsupervised access to pools, hot tubs, spas or ponds.
- As load bearing support for a building, structure, heavy objects or swings.
- Used in structures that trap wind, rain or snow that would create extra load on the product.

Accumulated snow must be removed from roof.

DO NOT climb or walk on roof for any reason.

Permanent structures may require a building permit. As the purchaser and or installer of this product you are advised to consult local planning, zoning and building inspection departments for guidance on applicable building codes and/or zoning requirements.

Wood is NOT flame retardant and will burn. Grills, fire pits and chimineas are a fire hazard if placed too close to a Yardistry structure. Consult user's manual of the grill, fire pit or chimenea for safe distances from combustible materials.

Wear gloves to avoid injury from possible sharp edges of individual elements before assembly.

During installation, follow all safety warnings provided with your tools and use OSHA approved safety glasses. Some structures may require two or more people to install safely.

Check for underground utilities before digging or driving stakes into the ground!

It is important during assembly to closely follow the instructions, complete the assembly on a solid level surface and that you follow the instruction to square up, level and anchor the structure, this will reduce the gap at wood connections during assembly.

General Information

General Information: Wood components are manufactured with Cedar (C. Lanceolata) which is protected with factory applied water-based stain. Knots, small checks (cracks) and weathering are naturally occurring and do not affect the strength of the product. Annual application of a water-based water repellent sealant or stain is important and will help reduce weathering and checks.

www.yardistrystructures.com

Questions?

Call toll free or write us at:

1 (888) 509-4382

info@yardistrystructures.com

Patents Pending

Limited Warranty

Yardistry warrants that this product is free from defect in materials and workmanship for a period of one (1) year from the original date of purchase. In addition, for any product with lumber, all lumber is warranted for five (5) years against rot and decay. This warranty applies to the original owner and registrant and is non-transferable.

Regular maintenance is required to assure the integrity of your product and is a requirement of the warranty. This warranty does not cover any inspection costs.

This Limited Warranty does not cover:

- Labour for replacement of any defective item(s);
- Incidental or consequential damages;
- Cosmetic defects which do not affect performance or integrity;
- Vandalism; improper use or installation; acts of nature, including but not limited to wind, storms, hail, floods, excessive water exposure;
- Minor twisting, warping, checking or any other natural occurring properties of wood that do not affect performance or integrity.

Yardistry products have been designed for safety and quality. Any modifications made to the original product could damage the structural integrity of the product leading to failure and possible injury. Yardistry cannot assume any responsibility for modified products. Furthermore, modification voids any and all warranties.

This product is warranted for RESIDENTIAL USE ONLY. Yardistry disclaims all other representations and warranties of any kind, express or implied.

This Warranty gives you specific legal rights. You may have other rights as well which vary from state to state or province to province. This warranty excludes all consequential damages, however, some states/provinces do not allow the limitation or exclusion of consequential damages, and therefore this limitation may not apply to you.

Instructions for Proper Maintenance

Your Yardistry structure is designed and constructed of quality materials. As with all outdoor products it will weather and wear. To maximize the enjoyment, safety and life of your structure it is important that you, the owner, properly maintain it.

HARDWARE:

- Check metal parts for rust. If found, sand and repaint using a non-lead paint complying with 16 CFR 1303.
- Inspect and tighten all hardware after completion of assembly; after first month of use; and then annually. Do not over-tighten as to cause crushing and splintering of wood.
- Check for sharp edges or protruding screw threads, add washers if required.

WOOD PARTS:

- Applying a water repellent or stain (water-based) on a yearly basis is important maintenance to maintain maximum life and performance of the product.
- Check all wood members for deterioration, structural damage and splintering. Sand down splinters and replace deteriorated wood members. As with all wood, some checking and small cracks in grain is normal
- Some gapping may occur at some wood connections.

Assembly Guides

Tools Required:

- | | | |
|------------------------------|------------------|---------------------------|
| • Tape Measure | • 8' Step Ladder | • 6' Step Ladder x 3 |
| • Carpenters Level | • Safety Glasses | • Square |
| • Standard or Cordless Drill | • Adult Helper | • Ratchet |
| • Claw Hammer | • Safety Gloves | • 7/16, 1/2 & 9/16 Socket |
| • 7/16" & 9/16" Wrench | • Hard Hat | |

Symbols:

Throughout these instructions symbols are provided in the top, right-hand corner of the page.



- Use Help, where this is shown, 2, 3 or 4 people are required to safely complete this step. To avoid injury or damage to the assembly make sure to get some help.



- Use a measuring tape to assure proper location



- Pre-drill a pilot hole before fastening screw or lag to prevent splitting of wood.

If you dispose of your Yardistry structure: Please disassemble and dispose of your unit so that it does not create any unreasonable hazards at the time it is discarded. Be sure to follow your local waste ordinances.

Assembly Tips

Following are some helpful tips to make the assembly process smooth and efficient.

PRE-ASSEMBLIES:

(i.e. Post and Beam Assemblies, Roof Rafter Assembly, etc)

- Work on a raised, solid and flat surface such as, a table or saw horse.
- Keep all connections flush where shown in the instructions.
- When assembling the beams keep parts flat, straight and snug when connecting.

METAL PARTS:

- Roofing material may have sharp edges, wear safety gloves.
- Remove all plastic covering, on both sides of the metal panels, directly before installing each piece.
- Place roofing material on a non-abrasive surface before and after assembly as it can bend, dent and scratch easily.
- The roofing screws can easily crush the roof panels and roof edges when using a power drill. We recommend hand tightening the roofing screws so they sit snug and tight to the roofing material.

Permanent Installation Examples

Note: It is critically important you start with square, solid and level footings, concrete pad or deck to attach your Pergola Room.

We supply Post Mounts with this structure which gives you the flexibility to permanently install your structure to a pre-existing or new wood or concrete surface.

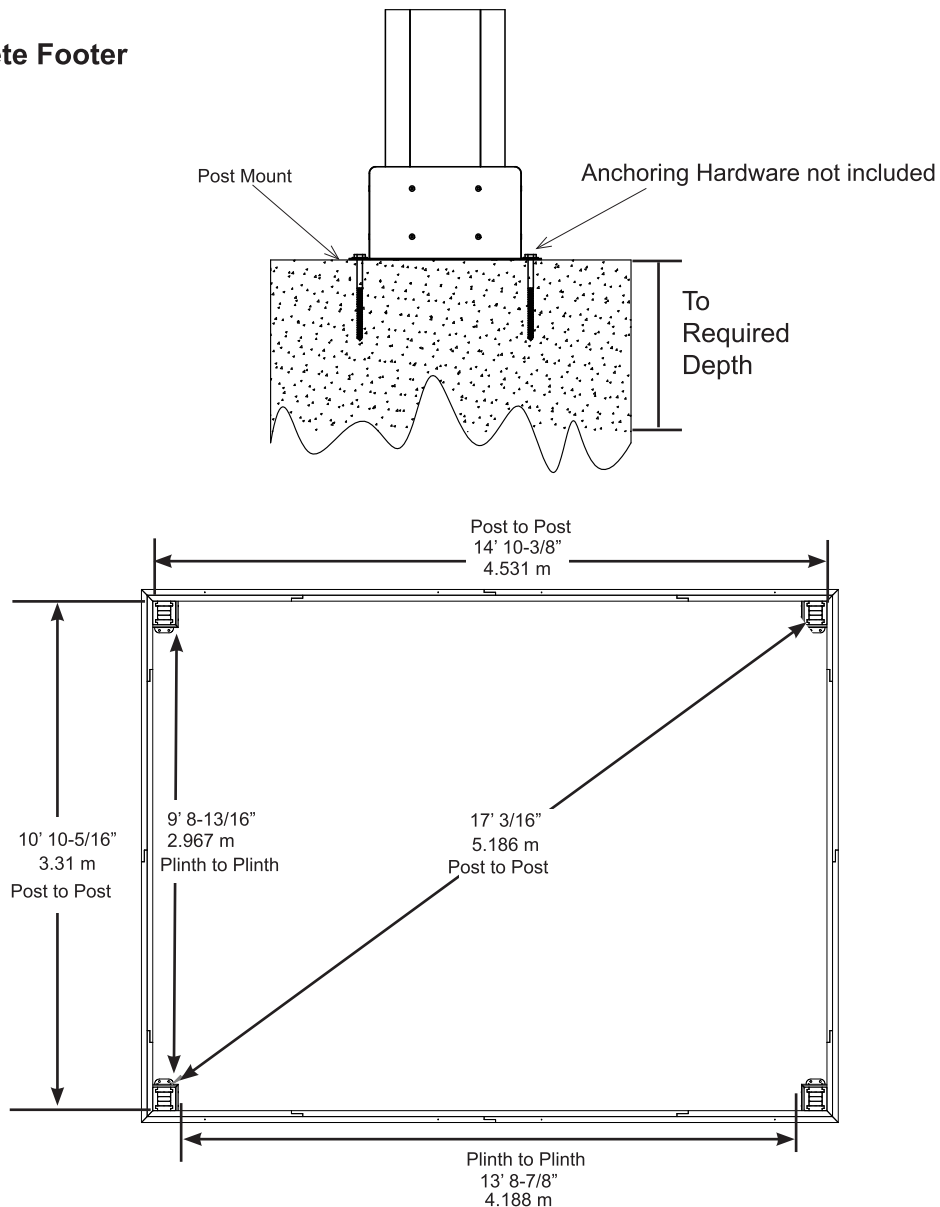
- The hardware to attach the Post Mount to the structure is included.
- The hardware to mount the structure permanently will need to be purchased separately at your local hardware store.

If you are mounting to concrete footers see below for the correct locations and placement. Please double check for possibility of any underground utilities such as gas, telephone, cable or sprinkler lines.

Following are some examples of how to mount the structure to wood or concrete surfaces.

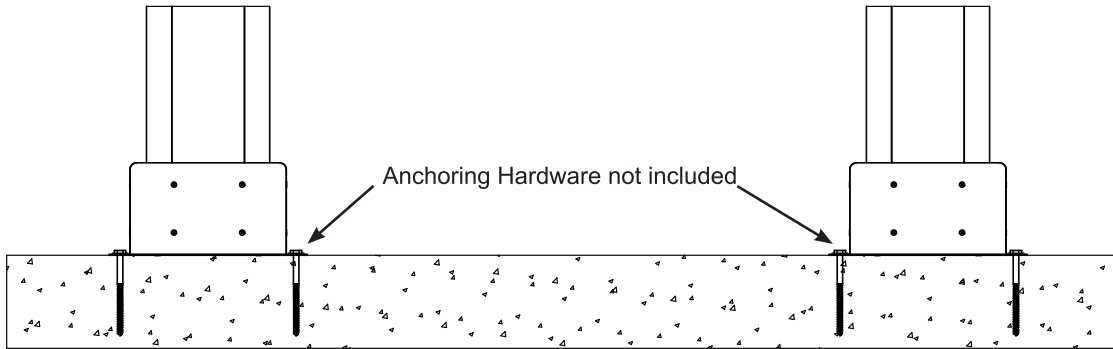
Refer to your local building and city codes, ordinances, neighbourhood covenants, or height restrictions regarding this type of structure for guidance on acceptable installation requirements.

Concrete Footer

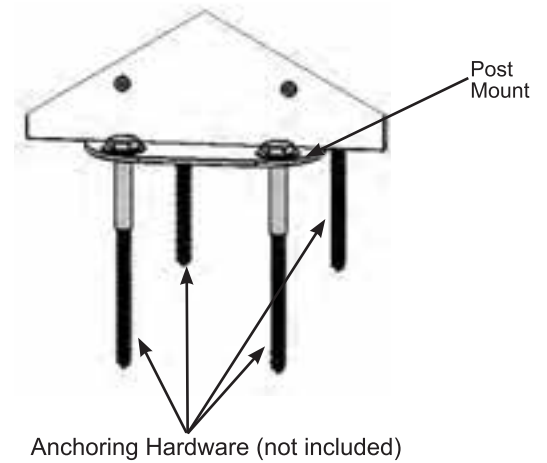
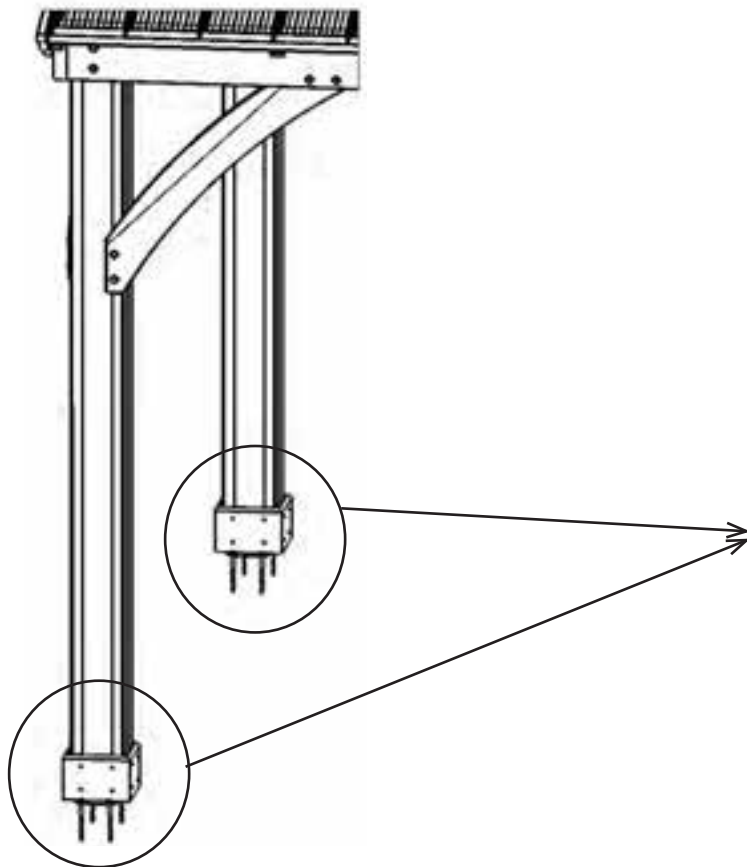


Permanent Installation Examples cont.

Concrete Patio [min. 11' 10-3/8" x 15' 10-3/8" (3.616 m x 4.836 m)] with 6" (15.24 cm) clearance on all sides



Wood Deck [min. 11' 10-3/8" x 15' 10-3/8" (3.616 m x 4.836 m)] with 6" (15.24 cm) clearance on all sides

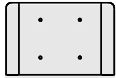


Post Mounts have a 1/2" (12.7 mm) diameter hole for anchoring hardware.

Part Identification (Dimensions are approximate and are shown to assist in the identification of parts for assembly. Actual dimensions may be smaller or larger.)

16pc. (422) Plinth 190.5mm (7-1/2")

Y50131-422



2pc. (1012) Straight Gusset Right 1153mm (45-3/8")



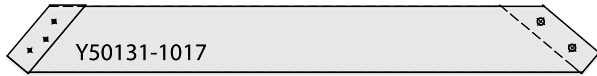
Y50131-1012

2pc. (1011) Straight Gusset Left 1153mm (45-3/8")



Y50131-1011

2pc. (1017) Short Gusset RT 1096.3mm (43-3/16")



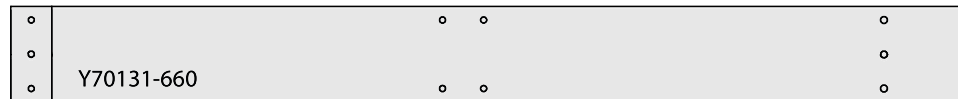
Y50131-1017

2pc. (1016) - Short Gusset LT 1096.3mm (43-3/16")



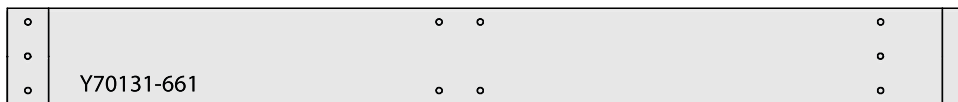
Y50131-1016

2pc. (660) Left Beam Short 1769.7mm (69-5/8")



Y70131-660

2pc. (661) Right Beam Short 1769.7mm (69-5/8")



Y70131-661

4pc. (665) End Short Beam 558.6mm (22")



Y70131-665

2pc. (664) Centre Beam Short 2422.1mm (95-3/8")



Y70131-664

2pc. (650) Outer End Left 2379.7mm (93-11/16")



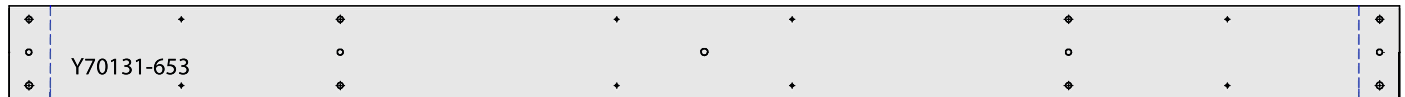
Y70131-650

2pc. (649) Outer End Right 2379.7mm (93-11/16")



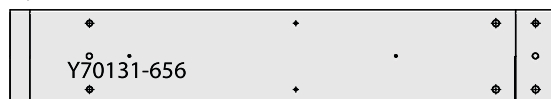
Y70131-649

2pc. (653) Inside Long Beam 2667mm (105")



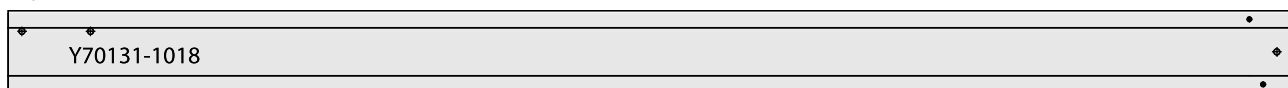
Y70131-653

4pc. (656) Inside Beam 1046.2mm (41-3/16")



Y70131-656

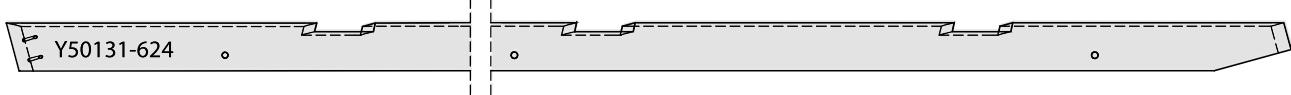
4pc. (1018) - M-Post 2387.6mm (94")



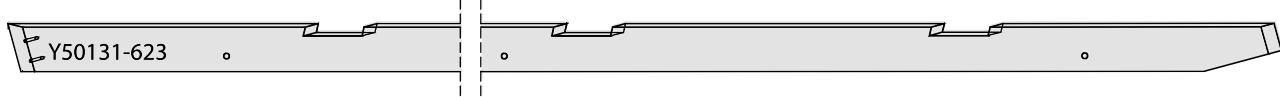
Y70131-1018

Part Identification (Dimensions are approximate and are shown to assist in the identification of parts for assembly. Actual dimensions may be smaller or larger.)

4pc. (624) Rafter Corner Left 2597.8mm (102 1/4")



4pc. (623) Rafter Corner Right 2597.8mm (102 1/4")



2pc. (627) Fascia Left Short 1855.5mm (73-1/16")



2pc. (628) Fascia Right Short 1855.5mm (73-1/16")



4pc. (629) Rafter Short RT 805.5mm (31-3/4")



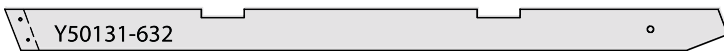
4pc. (630) Rafter Short LT 805.5mm (31-3/4")



4pc. (631) Rafter Centre LT 1338.9mm (52-3/4")



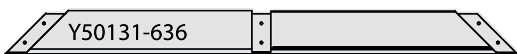
4pc. (632) Rafter Centre RT 1338.9mm (52-3/4")



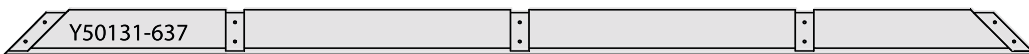
6pc. (634) Rafter 1907mm (75-1/16")



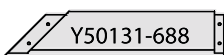
2pc. (636) Top Strap 953.8mm (37-35/64")



2pc. (637) Mid Strap 1908.3mm (75-1/8")



2pc. (688) Bottom Strap RT 406.3mm (16")



2pc. (687) Bottom Strap LT 2457mm (96-3/4")



4pc. (647) Soffit Long 2383mm (93-13/16")



Y50131-647

4pc. (648) Soffit 1774.5mm (69-7/8")



Y50131-648

Part Identification (Dimensions are approximate and are shown to assist in the identification of parts for) assembly. Actual dimensions may be smaller or larger.

2pc. (639) Fascia Block 368mm (14½")



2pc. (626) Fascia RT Long 2465.5mm (97-1/16")



2pc. (625) Fascia LT Long 2465.5mm (97-1/16")



2pc. (640) Strap Top Lg 2179mm (85-13/16")



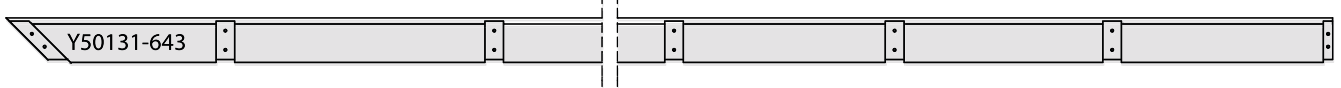
2pc. (642) Strap Mid RT 2175.8mm (85-5/8")



2pc. (641) Strap Mid LT 955.9mm (37-5/8")



2pc. (643) Strap Bot LT 2651.4mm (104-3/8")



2pc. (644) Strap Bot RT 1431.5mm (56-3/8")



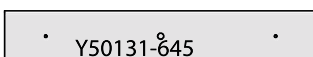
2pc. (635) Long Roof Top 1188.2mm (46-3/4")



4pc. (633) Centre Rafter 1873.6mm (73-3/4")



2pc. (645) Spacer 578.2mm (22-3/4")



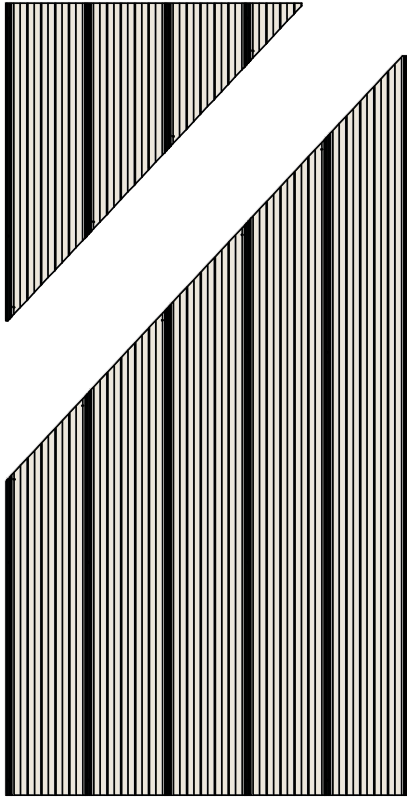
4pc. (646) Tie 2590.8mm (102")



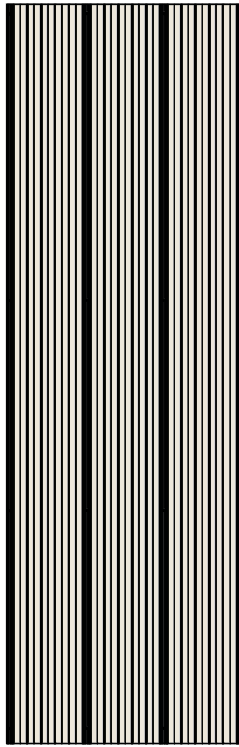
Hardware Identification

(Dimensions are approximate and are shown to assist in the identification of parts for assembly. Actual dimensions may be smaller or larger.)

4pc. - Short Panel Left
(Y01033-200)



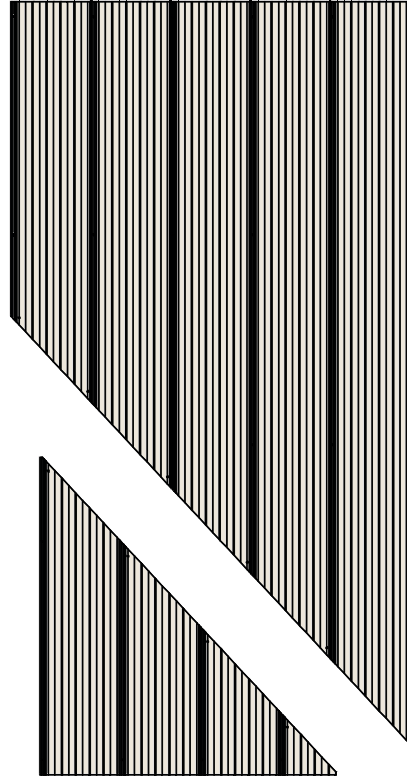
4pc. - Long Panel Left
(Y01033-198)



4pc. - Middle Panel
(Y01033-196)

1pc. - Roof Panel Set
(Y70833-195)

4pc. - Long Panel Right
(Y01033-197)



4pc. - Short Panel Right
(Y01033-199)



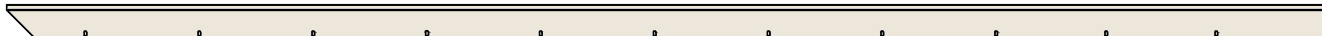
2pc. Roof Edge Left 72.2 - (Y01033-134)



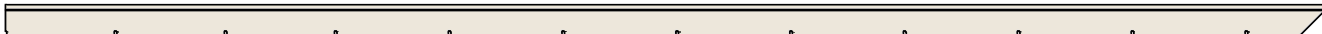
2pc. Roof Edge Right 72.2 - (Y01033-135)



8pc. Ridge Clip 102.5 - (Y01033-133)



2pc. Roof Edge Right 96.2 - (Y01033-136)



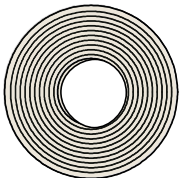
2pc. Roof Edge Left 96.2 - (Y01033-201)



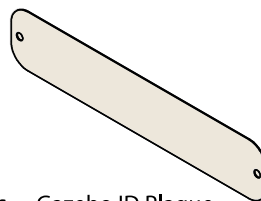
4pc. Ridge Cap Long 81.5 - (Y01033-131)



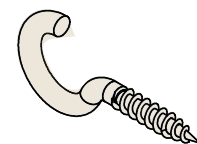
4pc. Ridge Cap Short 25.2 (Y01033-132)



1pc. - Weather Seal
Ridge Clip (8Pk)
(Y70818-074)



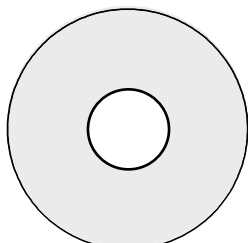
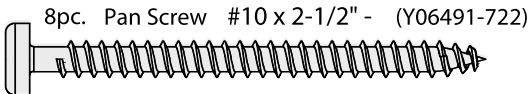
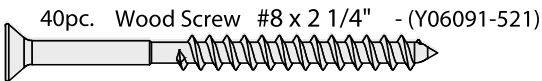
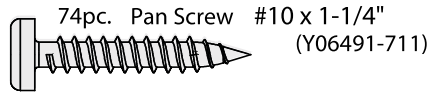
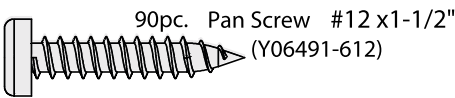
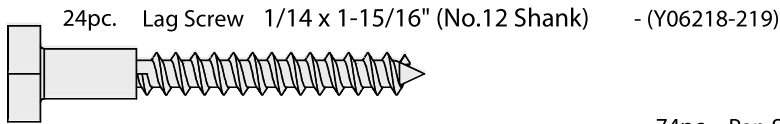
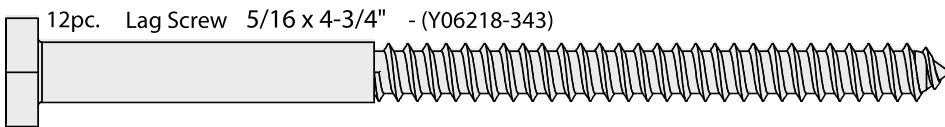
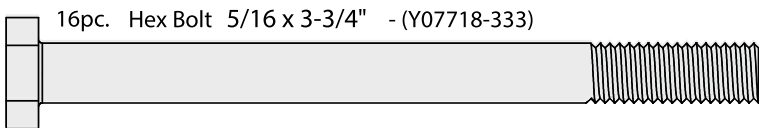
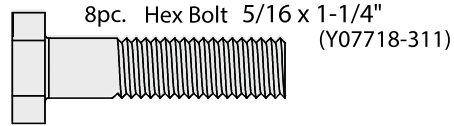
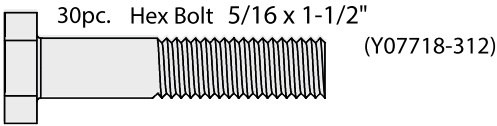
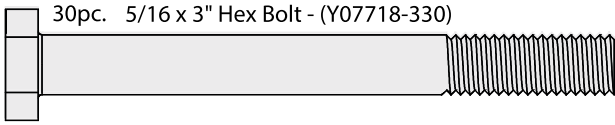
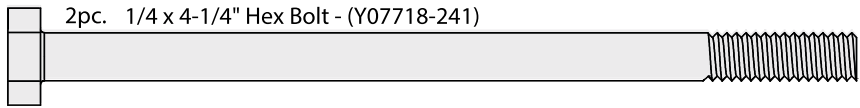
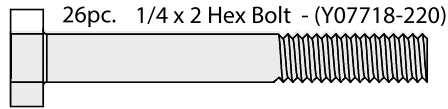
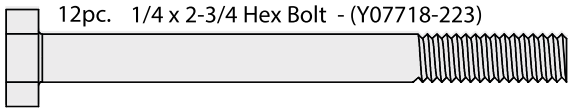
1pc. - Gazebo ID Plaque
(Y70800-104)



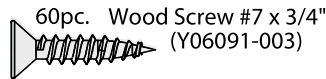
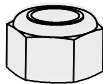
2pc. - 50mm Hook
(Y00418-050)

Hardware Identification

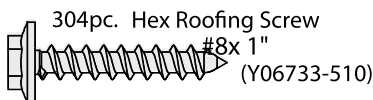
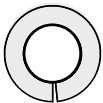
(Dimensions are approximate and are shown to assist in the identification of parts for assembly. Actual dimensions may be smaller or larger.)



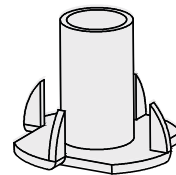
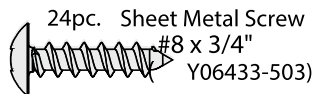
40pc. - 1/4" Lock Nut (Y08318-203)



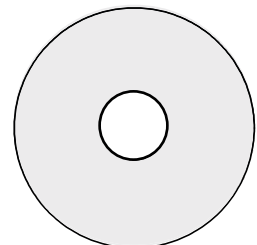
12pc. - 3/8" Lock Nut (Y08318-803)



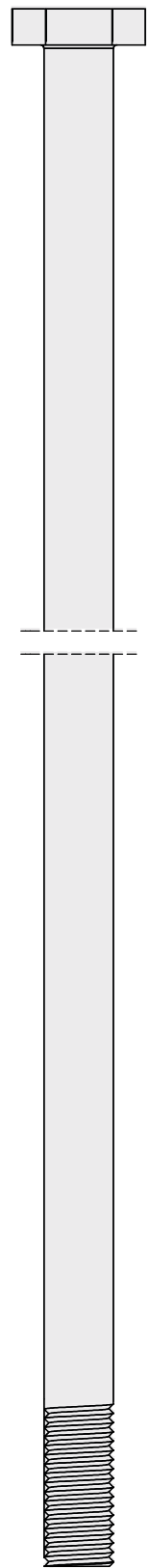
84pc. 5/16" Lock Washer (Y05318-300)



84pc. 5/16 - T-Nut (Y08518-300)



200pc. 1/4-5/16 x 1-1/4 Large Washer (Y05118-311)



12pc. Hex Bolt 3/8 x 9-1/2 (Y07718-892)

Hardware Identification

(Dimensions are approximate and are shown to assist in the identification of parts for assembly. Actual dimensions may be smaller or larger.)

4pc. Roof Peak Bracket (Y00429-125)

1pc. - Roof Peak Set (Y70829-215)

3pc. Peak Post (Y01000-094)

3pc. Spring Clip (Y09490-001)

3pc. 1/4" Nut (Y08490-200)

3pc. Loop (Y20018-003)

3pc. Contour Washer (Y05918-211)

3pc. Carriage Bolt (Y07428-260)

1pc. Peak Bracket (Y00429-190)

1pc. - Peak Cap Assembly (Y70833-249)

1pc. Post Mount (8Pk) (Y70819-109)

1pc. -(2 Pack) 45° Twist Bracket LT (Y70829-191)

1pc. -(2 Pack) 45° Twist Bracket RT (Y70829-192)

1pc. - 1/8" Drill Bit (Y00400-002)

1pc. Tie Wrap Bracket (8Pk) (Y70819-106)

1pc. - Roof To Beam Bracket Set (10Pk) (Y70819-218)

2pc. - Roof To Beam Bracket Set (8Pk) (Y70819-108)

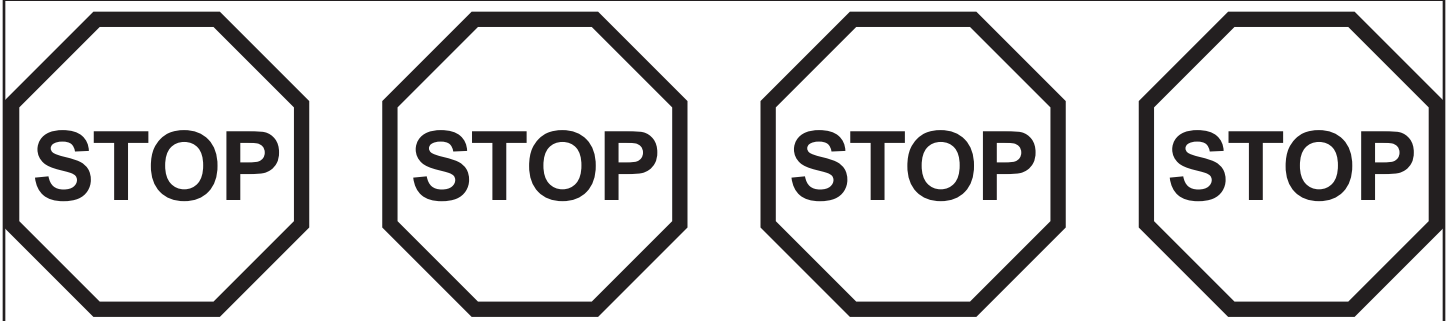
1pc. #2 x 2" Robertson Driver (Y00400-005)

1pc. - Hex Driver (Y00400-004)

1pc. - Corner Cap Set (4Pk) (Y70833-103)

2pc. Long Beam Insert - (Y00429-194)

Step 1: Inventory Parts - Read This Before Starting Assembly



- A.** This is the time for you to inventory all your hardware, wood and accessories, referencing the parts identification sheets. This will assist you with your assembly.
- Each step indicates which bolts and/or screws you will need for assembly, as well as any flat washers, lock washers, t-nuts or lock nuts.
- B.** If there are any missing or damaged pieces or you need assistance with assembly please contact the consumer relations department directly. Call us before going back to the store.

1-888-509-4382
support@yardistrystructures.com

- C.** Read the assembly manual completely, paying special attention to ANSI warnings; notes; and safety/maintenance information on pages 1 - 4.
- Follow the instructions in order.
 - This structure is designed to be assembled and installed ideally by four people, DO NOT attempt to install alone.
 - Consider the slope of elevation where you plan to install the structure. Also, check for gas, telephone, other utilities or sprinkler line locations prior to excavating any holes.
- D.** Before you discard your cartons fill out the form below.
- The carton I.D. stamp is located on the end of each carton.
 - Please retain this information for future reference. You will need this information if you contact the Consumer Relations Department.

PRODUCT NUMBER: **YM11915**

CARTON I.D. STAMP: __ __ __ __ __ (Box 1)

CARTON I.D. STAMP: __ __ __ __ __ (Box 2)

CARTON I.D. STAMP: __ __ __ __ __ (Box 3)

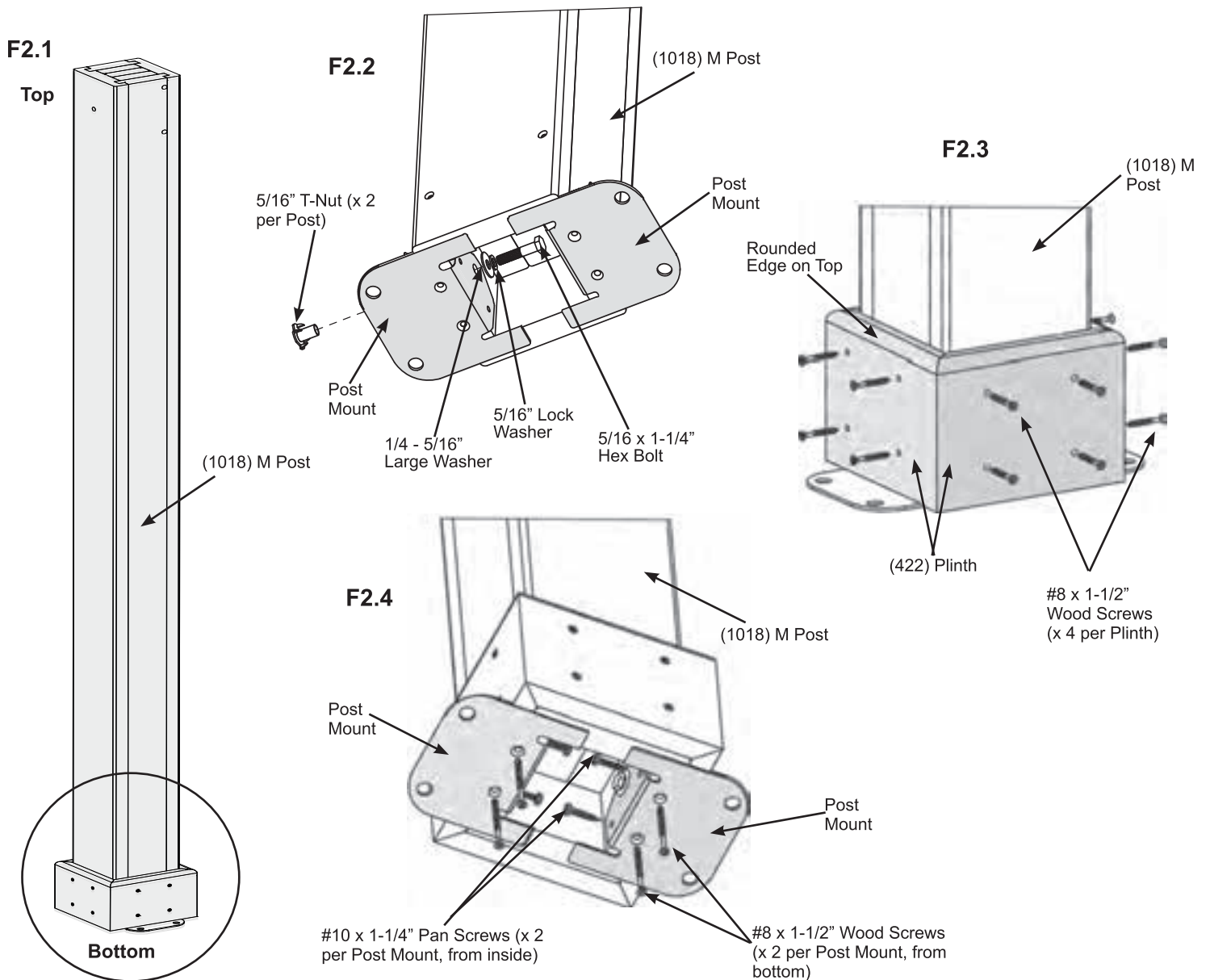
Step 2: Post Assemblies

A: At the bottom of four (1018) M Posts insert two 5/16" T-Nuts as shown in F2.1 and F2.2.

B: At the bottom of each (1018) M Post place two Post Mounts tight to the bottom and inside faces as shown in F2.1 and F2.2. Loosely attach with one 5/16 x 1-1/4" Hex Bolt (with 5/16" lock washer and 1/4-5/16" large washer) per mount so they connect to the T-Nuts.

C: On each side of the Posts, place one (422) Plinth flush to the bottom and attach with four #8 x 1-1/2" Wood Screws per plinth. Rounded edges on top. (F2.1 and F2.3)

D: From the bottom of each Post Mount attach to posts with two #8 x 1-1/2" Wood Screws per mount and then from the inside with two #10 x 1-1/4" Pan Screws per mount. These screws are installed at a slight angle. Tighten all bolts. There will be four M Post Assemblies. (F2.4)



Wood Parts

4 x (1018) M Post
16 x (422) Plinth

Hardware

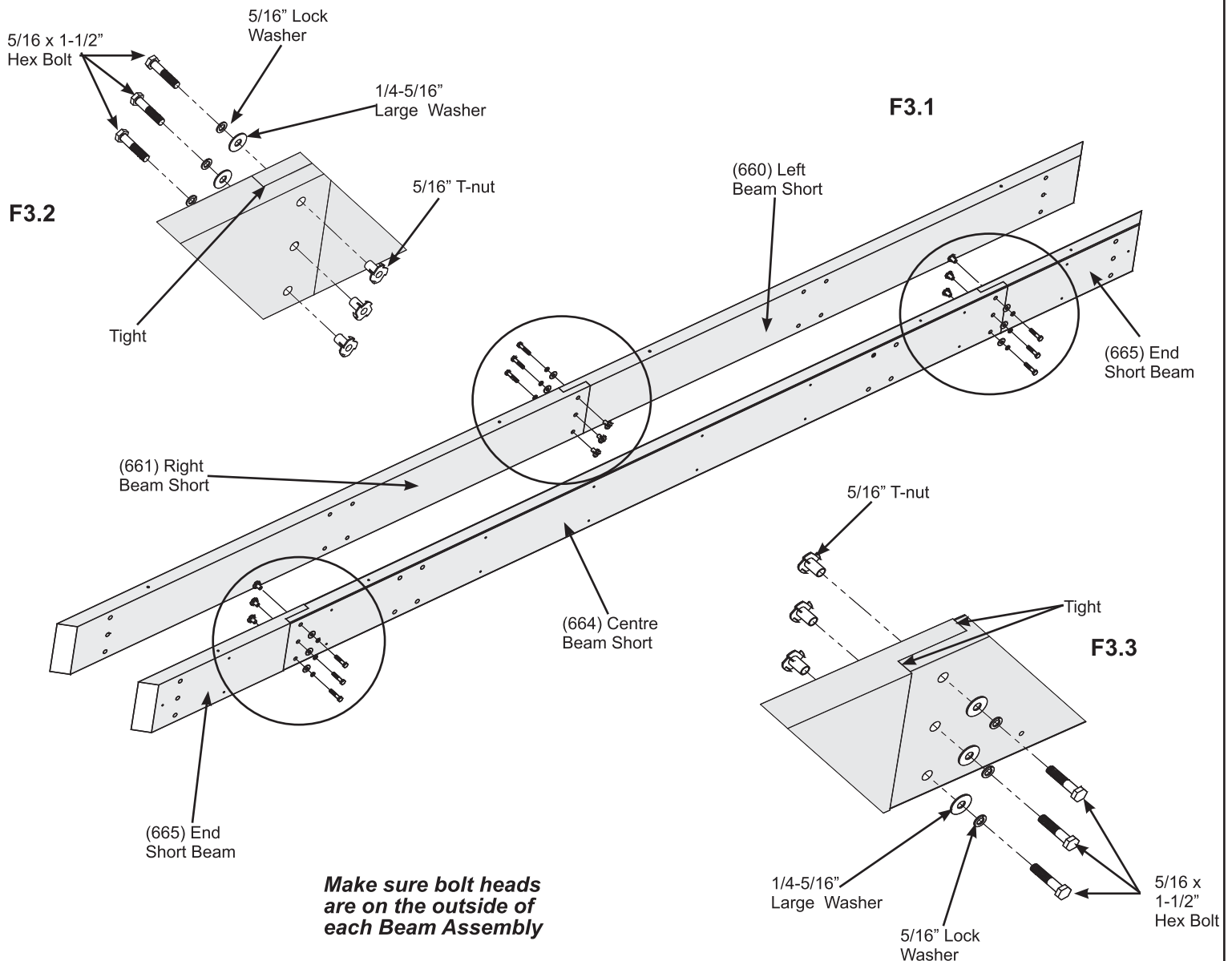
16 x #10 x 1-1/4" Pan Screw
80 x #8 x 1-1/2" Wood Screw
8 x Post Mount
8 x 5/16" T-Nut
8 x 5/16 x 1-1/4" Hex Bolt (with 5/16" lock washer, 1/4-5/16" large washer)

Step 3: Short Beam Assembly Part 1

A: Connect one (660) Left Beam Short and one (661) Right Beam Short using three 5/16 x 1-1/2" Hex Bolts (with 5/16" lock washer, 1/4-5/16" large washer and 5/16" t-nut) as shown in F3.1 and F3.2. Notice orientation of bolt heads.

B: Connect one (665) End Short Beam to each end of one (664) Centre Beam Short using three 5/16 x 1-1/2" Hex Bolts (with 5/16" lock washer, 1/4-5/16" large washer and 5/16" t-nut) per end as shown in F3.1 and F3.3. Notice orientation of bolt heads.

C: Repeat Steps A and B one more time to make two Short Beam L-R Assemblies and two End Short Beam Assemblies.



Wood Parts

- 2 x (664) Centre Beam Short
- 4 x (665) End Short Beam
- 2 x (660) Left Beam Short
- 2 x (661) Right Beam Short

Hardware

- 18 x 5/16 x 1-1/2" Hex Bolt
(5/16" lock washer, 1/4-5/16" large washer, 5/16" t-nut)

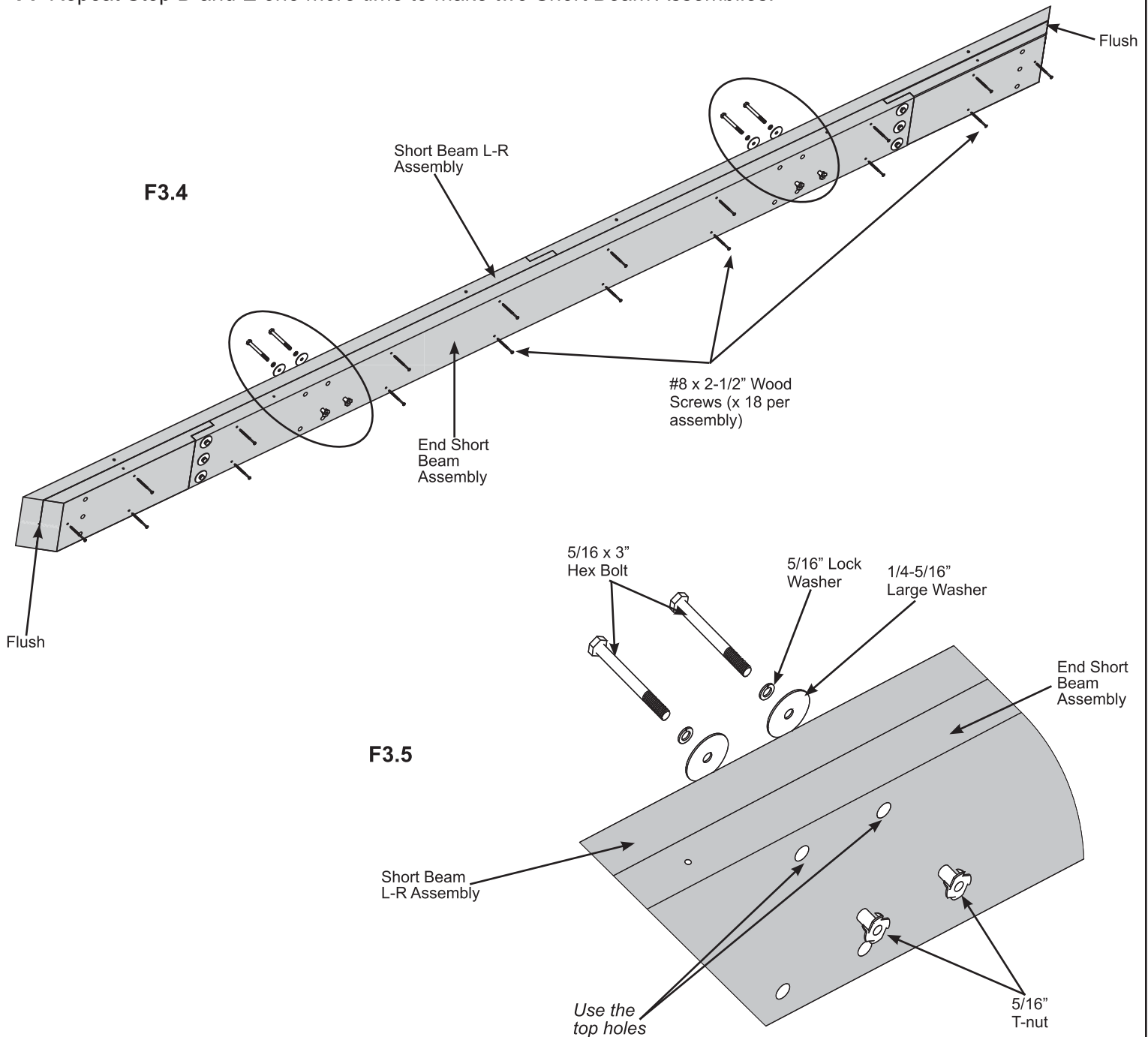
Step 3: Short Beam Assembly

Part 2

D: Place one Short Beam L-R Assembly and one End Short Beam Assembly together so the beam assembly ends are flush and the angled ends match. Bolt heads must be on the outside of both beam assemblies. Match the bolt holes in each assembly then loosely attach with four 5/16 x 3" Hex Bolts (with 5/16" lock washer, 1/4-5/16" large washer and 5/16" t-nut) in the top holes. (F3.4 and F3.5)

E: Secure assemblies with 18 #8 x 2-1/2" Wood Screws then tighten bolts. (F3.4)

F: Repeat Step D and E one more time to make two Short Beam Assemblies.



Hardware

36 x #8 x 2-1/2" Wood Screw

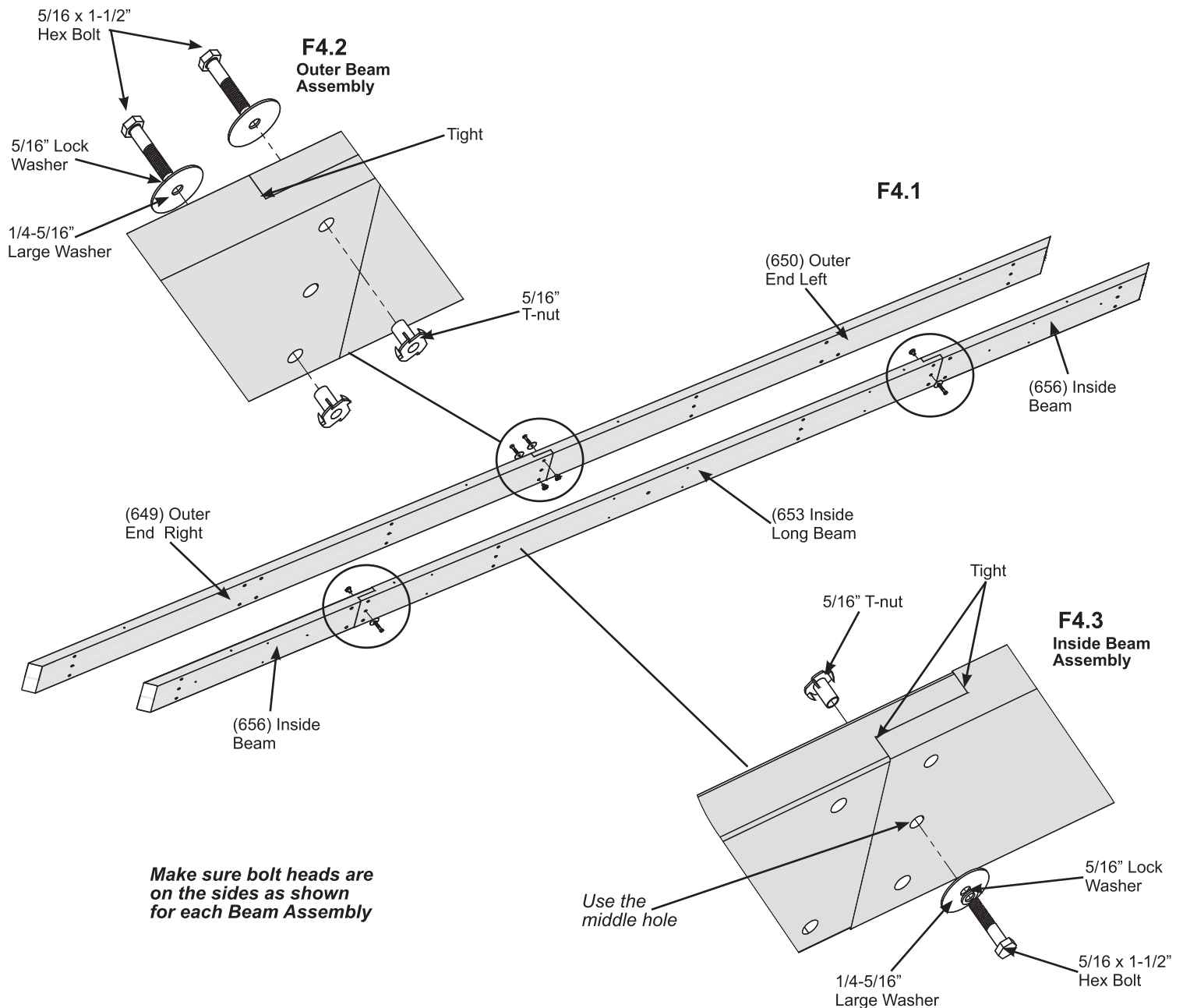
8 x 5/16 x 3" Hex Bolt
(5/16" lock washer, 1/4-5/16" large washer, 5/16" t-nut)

Step 4: Long Beam Assembly Part 1

A: Connect one (649) Outer End Right and one (650) Outer End Left using two 5/16 x 1-1/2" Hex Bolts (with 5/16" lock washer, 1/4-5/16" large washer and 5/16" t-nut) as shown in F4.1 and F4.2. Notice orientation of bolt heads.

B: Connect one (656) Inside Beam to each end of one (653) Inside Long Beam using two 5/16 x 1-1/2" Hex Bolts (with 5/16" lock washer, 1/4-5/16" large washer and 5/16" t-nut), in the middle holes, as shown in F4.1 and F4.3. Notice orientation of bolt heads.

C: Repeat Steps A and B to make two Outer Beam Assemblies and two Inside Beam Assemblies.



Wood Parts

- 2 x (649) Outer End Right
- 2 x (650) Outer End Left
- 2 x (653) Inside Long Beam
- 4 x (656) Inside Beam

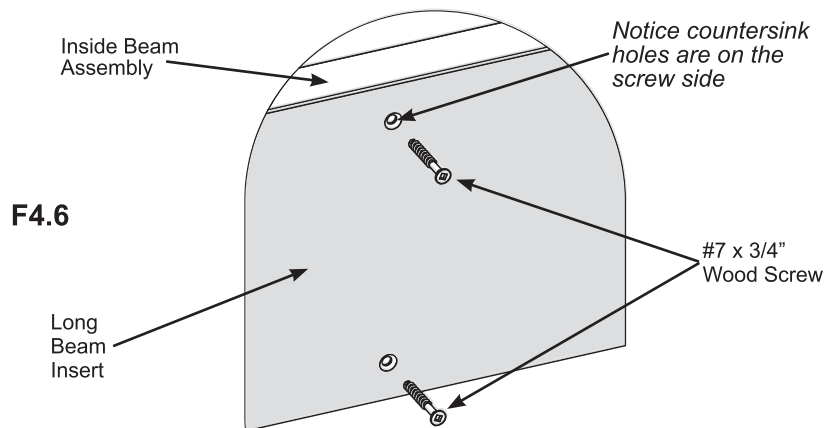
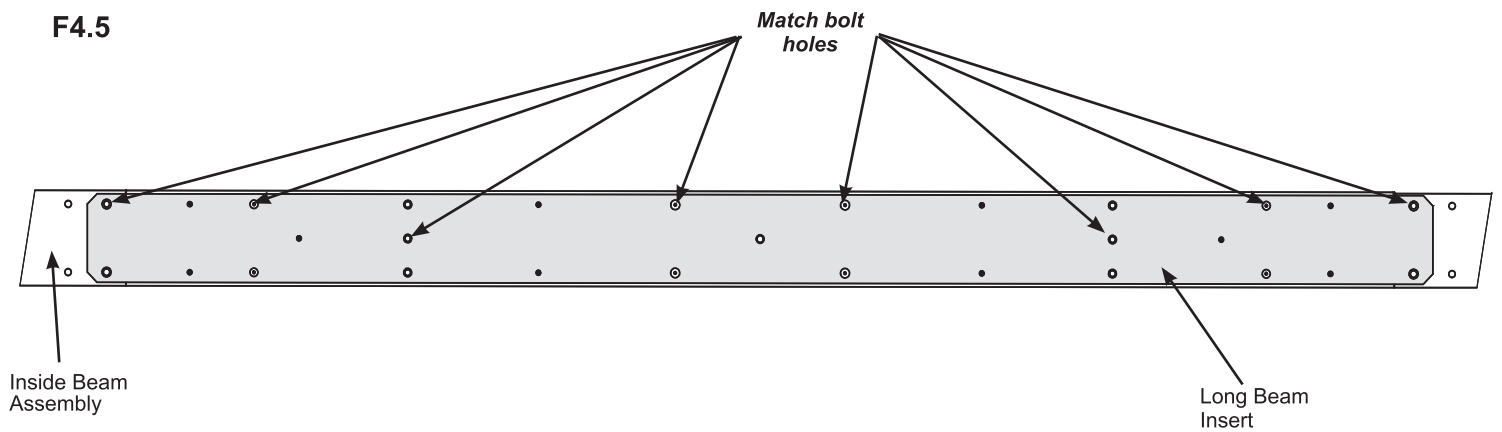
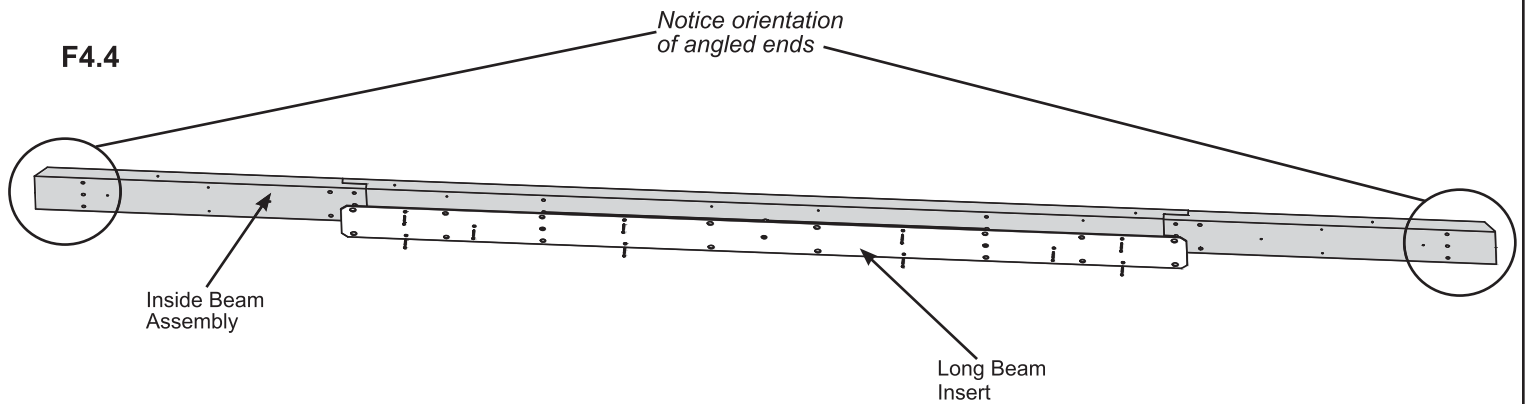
Hardware

- 8 x 5/16 x 1-1/2" Hex Bolt
(5/16" lock washer, 1/4-5/16" large washer, 5/16" t-nut)

Step 4: Long Beam Assembly Part 2

D: Place one Long Beam Insert centred on the inside of one Inside Beam Assembly (t-nut side). Match the bolt holes in the Inside Beam Assembly and Long Beam Insert then attach with ten #7 x 3/4" Wood Screws. (F4.4, F4.5 and F4.6)

E: Repeat Step D for the second Inside Beam Assembly.



Components:
2 x Long Beam Insert

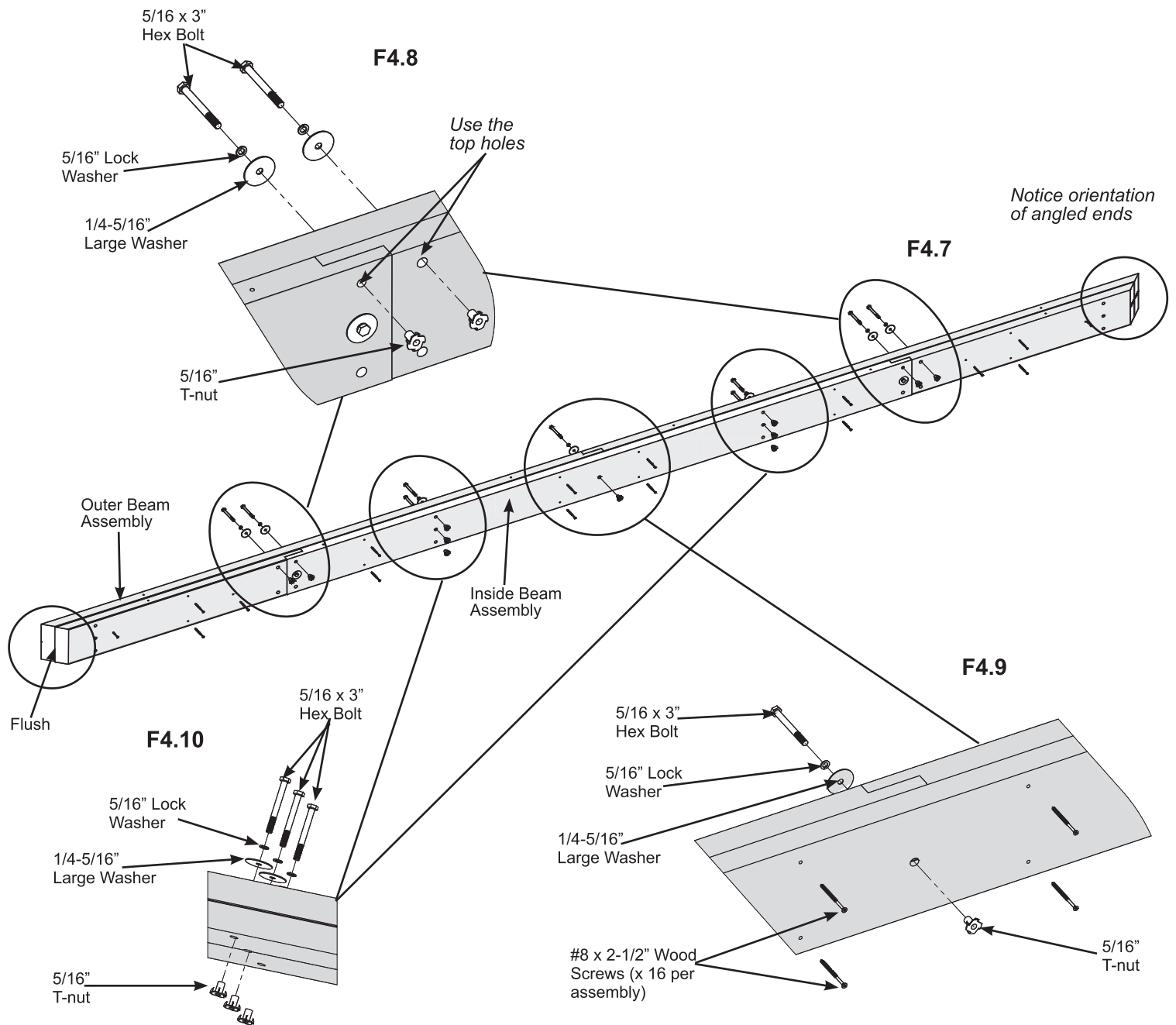
Hardware
20 x #7 x 3/4" Wood Screw

Step 4: Long Beam Assembly Part 3

F: Place one Outer Beam Assembly and one Inside Beam Assembly together so the beam assembly ends are flush and the angled ends match. Bolt heads must be on the outside of both beam assemblies. Match the bolt holes in each assembly then loosely attach with eleven 5/16 x 3" Hex Bolts (with 5/16" lock washer, 1/4-5/16" large washer and 5/16" t-nut). The bolts at each end must go in the top holes. (F4.7, F4.8, F4.9 and F4.10)

G: Secure assemblies with 16 #8 x 2-1/2" Wood Screws then tighten bolts. (F4.7 and F4.9)

H: Repeat Step F and G to make a second Long Beam Assembly.



Hardware

32 x #8 x 2-1/2" Wood Screw

22 x 5/16 x 3" Hex Bolt

(5/16" lock washer, 1/4-5/16" large washer, 5/16" t-nut)